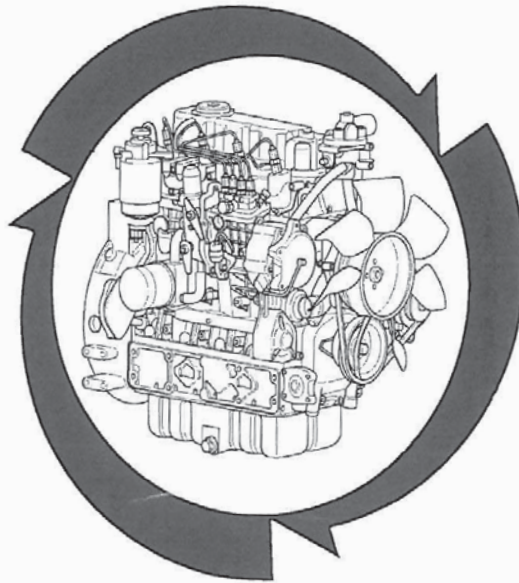


**ILLUSTRATED PARTS LIST
LISTA DE PIEZAS
LISTE DES PIECES**

KUBOTA

**MODEL
MODELO V3600-E3B-KEA-3
MODELE**

**DIESEL ENGINE
MOTOR DIESEL
MOTEUR DIESEL**



Kubota

97898-76490
DEC.
DICIEMBRE 2008
DECEMBRE

NOTICE

This Parts List is for the following purposes.

1. When ordering parts, check with this Parts List to confirm the part number and the name of parts.
2. When making repairs, refer to the illustrations in this Parts List.
3. This Parts List is subject to change without notice.

NOTA

Esta lista de piezas tiene el objetivo siguiente.

1. Cuando solicite piezas, consulte esta Lista de piezas para confirmar su número de referencia y nombre.
2. Al efectuar reparaciones, consulte las ilustraciones de esta Lista de piezas.
3. Esta lista de piezas está sujeta a cambios sin previo aviso.

NOTE

Utilisation de ce livre

1. A la commande d'une pièce, chercher la référence et le nom de la pièce.
2. Pour les réparations, employez les illustrations.
3. La liste des pièces peut-être modifié sans préavis.

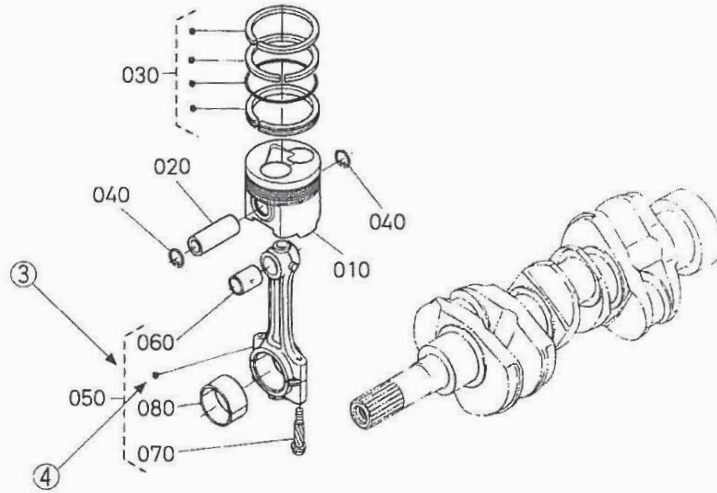
MODEL MODELO MODELE	CODE No. CÓDIGO No. No. DE CODE
V3600-E3B-KEA-3	1J405-12000

**INSTRUCTIONS
INSTRUCCIONES
INSTRUCTION**

①
0102 PISTON AND CRANKSHAFT
PISTON Y CIGUENAL
PISTON ET VILEBREQUIN

②
[B]

⑩ → S.No. ; A: <=15000, B: 14000 to 15000



⑤

⑥ ⑦ ⑧ ⑥ ⑨
A:XXXX, B:XXXX

REF. No. No. DE REF POS No.	PART No. No. REF REFERENCE	PART NAME	DESCRIPCION	DESIGNATION	QTY / S.No. CANTIDAD / No. DE SERIE QTE / No.S.		I.C I/C I.C	REMARKS NOTA REMARQUES
					A	B		
010	15800-0000-0	PISTON	PISTON	PISTON	<=15000	<=15000		{Example-1}
010	15800-0000-2	PISTON	PISTON	PISTON	>=15001	>=15001		{Ejemplo-1}
020	15800-1000-0	PIN,PISTON	PASADOR, PISTON	AXE DE PISTON	<=15000	<=15000		{Exemple-1}
020	15800-1000-2	PIN,PISTON	PASADOR, PISTON	AXE DE PISTON	>=15001	>=15001	≠	{Example-2}
030	15800-2000-0	ASSY PISTON RING	CONJUNTO PISTON ARO	ENS.JEU DE SEGMENTS	<=15000	<=15000		{Ejemplo-2}
030	15830-2000-0	ASSY PISTON RING	CONJUNTO PISTON ARO	ENS.JEU DE SEGMENTS	>=15001	>=15001		{Exemple-2}
								{Example-3}
								{Ejemplo-3}
								{Exemple-3}

- ① Fig. No. Represents No. corresponding to each group name.
- ② Specifications The types and destinations of sister models are indicated. These indications are (for sister models) given to tell their relevant pages in this book.
- ③ Components The components of an assembly are identified by a bracket of dotted lines.
- ④ Point Indicates that the parts is not sold independently.
The assembly (Ref.No.050) containing the part needs to be ordered.
- ⑤ REF. No. Reference numbers are assigned to parts in the illustration.The code number of a part in the illustration can be identified by referring to the same reference number in the parts list.
- ⑥ Model name The name of the basic model is indicated in this column. Other applicable models are indicated on the "REMARKS" column ⑨.
- ⑦ S. No. Indicates a group of serial numbers to which a design change is applied.
(serial No.)

Engine Serial No.

7 J 0001
7 K A001

Lower 4 digits in Numerals or Alphabetical letter (A to Z) and Numerals (start 0001 to max Z999).

5th digit Alphabetical letter (Month of manufacture).

Month	1	2	3	4	5	6	7	8	9	10	11	12
	A,B	C,D	E,F	G,H	J,K	L,M	N,P	Q,R	S,T	U,V	W,X	Y,Z

6th digit Numerals or Alphabetical letter (Year of manufacture).

Year	1998	1999	2000	01	02	03	04	05	06	07	08	09	10	11
	W	X	Y	1	2	3	4	5	6	7	8	9	A	B

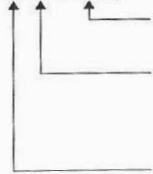
- ⑧ I. C. Indicates the interchangeability of parts due to design change.
(interchangeability)
Example-1 ← indicates that a new part can replace an old part, but not vice versa.
15800-0000-0 is applicable to the first serial number to S. No. 15000.
15800-0000-2 is applicable to the first serial number and above.
Example-2 ≠ indicates that the new and old parts are not interchangeable.
15800-1000-0 is applicable to the first serial number to S. No. 15000.
15800-1000-2 is applicable to S. No. 15001 and above.
Example-3 ↔ indicates that the new and old parts are interchangeable. Both 15800-2000-0 and 15830-2000-0 are applicable to the first serial number and above.
- ⑨ REMARKS 1 In this column, enter other applicable model names, dimensions and other special items.
- ⑩ REMARKS 2 The following expressions are used in NOTE for each group.
Machines' serial numbers are indicated as follows.
<=15000 Serial number below 15000.
>=15001 Serial number above 15001.
14000 to 15000 Serial number 14000 to 15000.
For some models, the above expressions may also be used REMARKS 1 ⑨.

- ① Fig. No. Represents No. corresponding to each group name.
- ② Specifications The types and destinations of sister models are indicated. These indications are given to tell their relevant pages in this book.
(for sister models)
- ③ Components The components of an assembly are identified by a bracket of dotted lines.
- ④ Point Indicates that the parts is not sold independently.
The assembly (Ref.No.050) containing the part needs to be ordered.
- ⑤ REF. No. Reference numbers are assigned to parts in the illustration.The code number of a part in the illustration can be identified by referring to the same reference number in the parts list.
- ⑥ Model name The name of the basic model is indicated in this column. Other applicable models are indicated on the "REMARKS" column ⑨.
- ⑦ S. No. Indicates a group of serial numbers to which a design change is applied.
(serial No.)

Engine Serial No.

7 J 0001

7 K A001



Lower 4 digits in Numerals or Alphabetical letter (A to Z) and Numerals (start 0001 to max Z999).

5th digit Alphabetical letter (Month of manufacture).

Month	1	2	3	4	5	6	7	8	9	10	11	12
	A,B	C,D	E,F	G,H	J,K	L,M	N,P	Q,R	S,T	U,V	W,X	Y,Z

6th digit Numerals or Alphabetical letter (Year of manufacture).

Year	1998	1999	2000	01	02	03	04	05	06	07	08	09	10	11
	W	X	Y	1	2	3	4	5	6	7	8	9	A	B

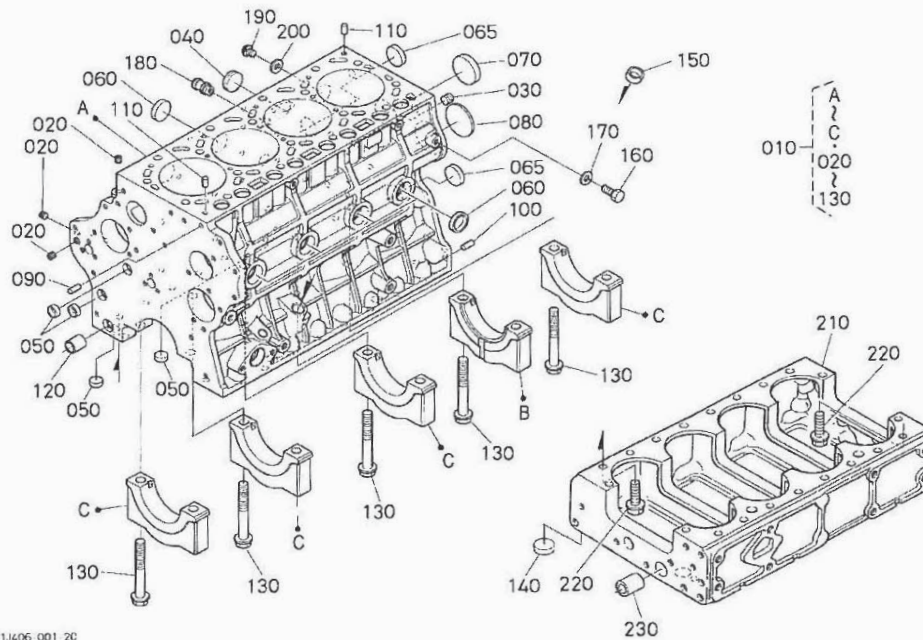
- ⑧ I. C. Indicates the interchangeability of parts due to design change.
(interchangeability)
Example-1 ← indicates that a new part can replace an old part, but not vice versa.
15800-0000-0 is applicable to the first serial number to S. No. 15000.
15800-0000-2 is applicable to the first serial number and above.
Example-2 ≠ indicates that the new and old parts are not interchangeable.
15800-1000-0 is applicable to the first serial number to S. No. 15000.
15800-1000-2 is applicable to S. No. 15001 and above.
Example-3 ↔ indicates that the new and old parts are interchangeable. Both 15800-2000-0 and 15830-2000-0 are applicable to the first serial number and above.
- ⑨ REMARKS 1 In this column, enter other applicable model names, dimensions and other special items.
- ⑩ REMARKS 2 The following expressions are used in NOTE for each group
Machines' serial numbers are indicated as follows.
<=15000 Serial number below 15000.
>=15001 Serial number above 15001.
14000 to 15000 Serial number 14000 to 15000.
For some models, the above expressions may also be used REMARKS 1 ⑨.

CONTENTS

[V3600-E3B-KEA-3]	
0001	CRANKCASE 1
0002	OIL PAN 2
0003	CYLINDER HEAD 3
0004	GEAR CASE 4
0005	HEAD COVER 5
0006	OIL FILTER 6
0007	DIPSTICK AND GUIDE 7
0100	MAIN BEARING CASE 8
0101	CAMSHAFT AND IDLE GEAR SHAFT 9
0102	PISTON AND CRANKSHAFT 10
0103	FLYWHEEL 11
0201	STOP SOLENOID 12
0202	INJECTION PUMP 13
0204	GOVERNOR 14
0206	NOZZLE HOLDER AND GLOW PLUG 15
0207	NOZZLE HOLDER (COMPONENT PARTS) 16
0209	PUMP HOUSING 18
0212	FORK LEVER (GOVERNOR) 20
0215	GOVERNOR ADJUSTING BOLT 21
0300	FUEL FILTER 22
0305	COVER 23
0402	ALTERNATOR AND PULLEY 24
0403	ALTERNATOR (COMPONENT PARTS) 25
0404	STARTER 26
0405	STARTER (COMPONENT PARTS) 27
0406	OIL SWITCH 28
0500	WATER FLANGE AND THERMOSTAT 29
0501	WATER PUMP 30
0504	FAN 31
0600	VALVE AND ROCKER ARM 32
0601	INLET MANIFOLD 33
0602	EXHAUST MANIFOLD 34
0700	HYDRAULIC PUMP 35
0702	OIL COOLER 36
0800	GLOW LAMP AND TIMER 37
0808	ACCESSORIES AND SERVICE PARTS 38
0809	LABEL AND OPERATOR'S MANUAL 39
090001	UPPER GASKET KIT [OPTION] 40
090002	LOWER GASKET KIT [OPTION] 41
0901	METAL KIT [OPTION] 42
0903	PISTON KIT [OPTION] 43
■	NUMERICAL INDEX 44

0001

CRANKCASE
BLOQUE MOTOR
BLOC MOTEUR



1,406 001 20

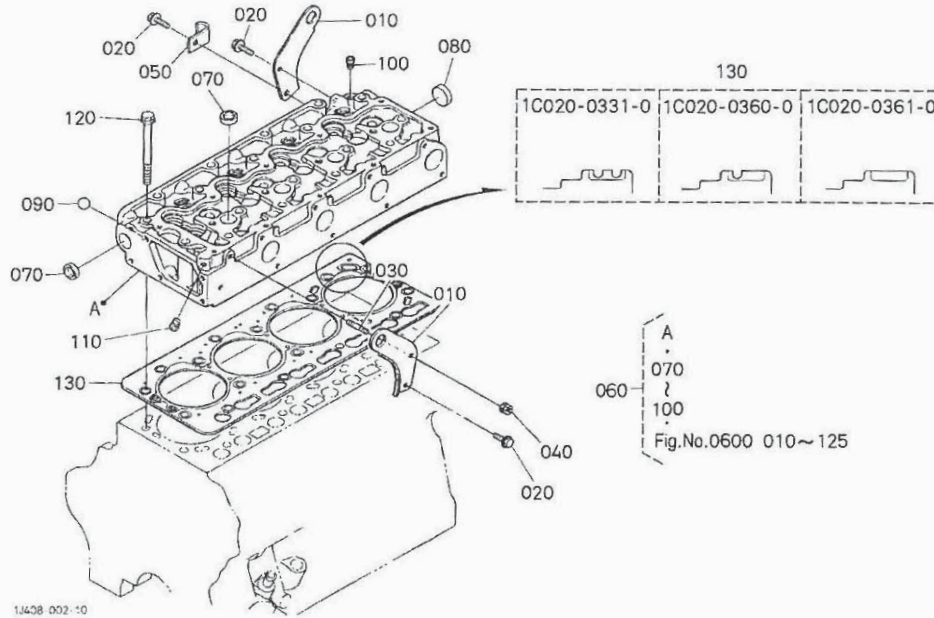
A: V3600-E3B-KEA-3

REF. No. No. DE REF. POS. No.	PART No. No. REF. REFERENCE	PART NAME	DESCRIPCION	DESIGNATION	Q'TY/S. No. CANTIDAD/No. DE SERIE Q'TE/No. S.		I. C.	REMARKS NOTA REMARQUES
					A	B		
010	1J510-0101-0	COMP. CRANKCASE	COMP. BLOQUE MOTOR	BLOC MOTEUR COMPLET	1	-		
020	15521-9602-0	PLUG	TAPON	BOUCHON	3	-		
030	1C010-9601-0	PLUG	TAPON	BOUCHON	1	-		
040	16683-9602-0	PLUG	TAPON	BOUCHON	1	-		
050	15261-0337-0	CAP. SEALING	TAPA, SELLADO	PASTILLE	4	-		
060	15221-0338-0	CAP. SEALING	TAPA, SELLADO	PASTILLE	7	-		
065	15221-0338-0	CAP. SEALING	TAPA, SELLADO	PASTILLE	2	-		
070	15221-0339-0	CAP. SEALING	TAPA, SELLADO	PASTILLE	1	-		
080	1C010-9616-0	PLUG, EXPANSION	TAPON, EXPANSION	BOUCHON EXPANSIBLE	1	-		
090	05012-00820	PIN, STRAIGHT	PASADOR	GOUPILLE CYLINDRIQUE	1	-		
100	05012-01016	PIN, STRAIGHT	PASADOR	GOUPILLE CYLINDRIQUE	4	-		
110	15221-3365-0	PIN, PIPE	PASADOR, TUBO	GICLEUR	2	-		
120	1C010-3364-0	PIN, GEAR CASE	PASADOR, ENGRNJ CJ	PIED DE CAR, DISTRIB.	1	-		
130	1C010-0456-0	BOLT, BEARING CASE	TORNILLO, RDMNT CJ	VIS	10	-		
140	15221-0338-0	CAP. SEALING	TAPA, SELLADO	PASTILLE	1	-		
150	15261-0337-0	CAP. SEALING	TAPA, SELLADO	PASTILLE	1	-		
160	15221-3361-0	PLUG	TAPON	BOUCHON	1	-		
170	15021-3366-0	GASKET	JUNTA	JOINT	1	-		
180	1C010-3711-4	JOINT, WATER PIPE	JUNTA, AGUA TUBO	RACCORD DE TUYAU	1	-		
190	06311-55030	PLUG	TAPON	BOUCHON	1	-		
200	04724-00170	GASKET	JUNTA	JOINT	1	-		
210	1C010-0112-6	CRANKCASE	BLOQUE MOTOR	BLOC MOTEUR	1	-		
220	01774-51030	BOLT, FLANGE	TORNILLO, BRIDA	VIS DE BUTEE	16	-		
230	1C010-3365-0	PIN, GEAR CASE	PASADOR, ENGRNJ CJ	PIED DE CAR, DISTRIB.	1	-		

↔ Interchangeable: ≠ not interchangeable: ← new for old: → old for new

0003

CYLINDER HEAD
CILINDRO CULATA
CULASSE



1408 002-10

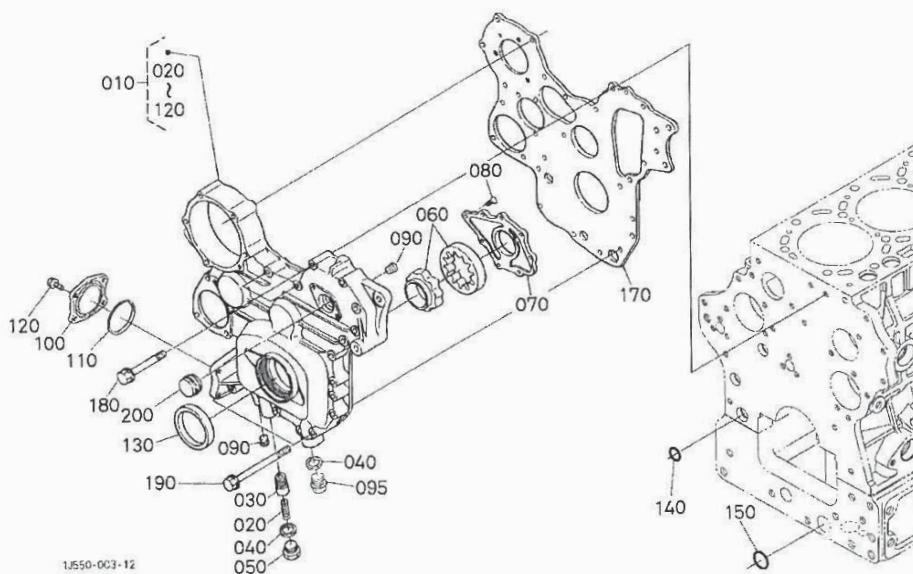
A: V3600-E3B-KEA-3

REF No. No. DE REF. POS No.	PART No. No. REF. REFERENCE	PART NAME	DESCRIPCION	DESIGNATION	Q'TY/S No. CANTIDAD/No. DE SERIE Q'TE/No.S.		I. C.	REMARKS NOTA REMARQUES
					A	B		
010	15471-0174-0	HOOK, ENGINE	GANCHO, MOTOR	ANNEAU DE LEVAGE	2	-		
020	01754-50814	BOLT, FLANGE	TORNILLO, BRIDA	VIS DE BUTEE	3	-		
030	15221-9153-0	STUD	ESPARRAGO	GOUJON	1	-		
040	02751-50080	NUT, FLANGE	TUERCA, BRIDA	ECROU A EMBASE	1	-		
050	12234-6758-0	CLAMP, CORD	ABRAZADERA, CABLE	ATTACHE-FILS	1	-		
060	1J510-0302-0	ASSY CYLINDER HEAD	CONJ. CILINDRO CLT	ENS. CULASSE	1	-		
070	15221-0337-0	GAP SEALING	TAPA, SELLADO	PASTILLE	5	-		
080	15221-0349-0	GAP SEALING	TAPA, SELLADO	PASTILLE	1	-		
090	07715-03209	BALL	PELOTA	BILLE	4	-		
100	15521-9602-0	PLUG	TAPON	BOUCHON	1	-		
110	15841-9602-0	PLUG	TAPON	BOUCHON	1	-		
120	1C010-0345-0	BOLT, CYLINDER HEAD	TORNILLO, CLNDR CLT	VIS DE CYLINDRE	18	-		
130	1C020-0331-0	GASKET, CYLINDER HEAD	JUNTA, CLNDR CLT	JOINT DE CULASSE	1	-		STD/ 2 NOTCH
130	1C020-0360-0	GASKET, CYLINDER HEAD	JUNTA, CLNDR CLT	JOINT DE CULASSE	1	-		SUITABILITY/ 1 NOTCH
130	1C020-0361-0	GASKET, CYLINDER HEAD	JUNTA, CLNDR CLT	JOINT DE CULASSE	1	-		SUITABILITY/ NOT NOTCH

↔ Interchangeable; ≠ not interchangeable; ← new for old; → old for new

0004

GEAR CASE
ENGRANAJE CAJA
CARTER DE DISTRIBUTION



1,650-003-12

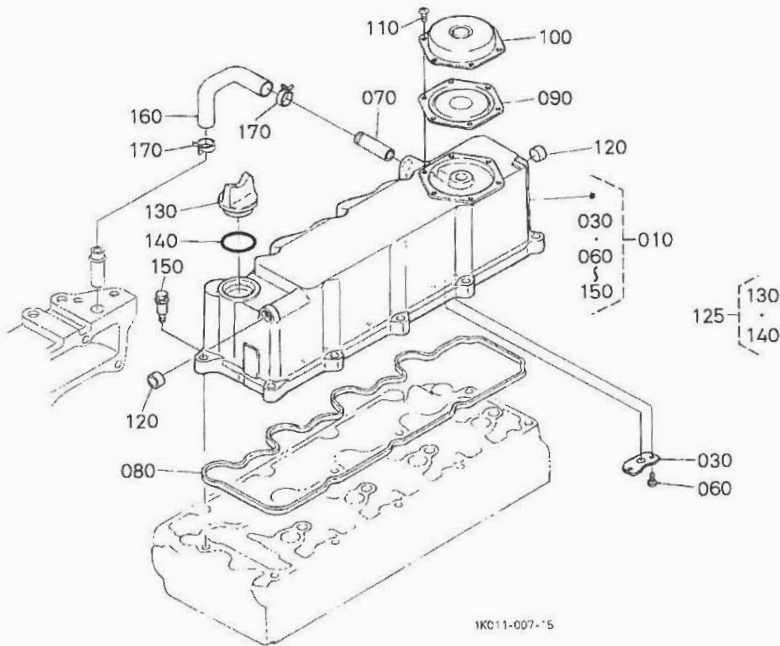
A: V3600-E3B-KEA-3

REF No No DE REF POS No	PART No. No. REF. REFERENCE	PART NAME	DESCRIPCION	DESIGNATION	QTY/S. No. CANTIDAD/No. DE SERIE Q' TE/No. S.		I. C.	REMARKS NOTA REMARQUES
					A	B		
010	1C020-0401-0	ASSY CASE, GEAR	CONJ. CAJA, ENGRNJ	ENS. CARTER	1	-		
020	1C010-3695-0	SPRING	RESORTE	RESSORT	1	-		
030	1C010-3692-2	VALVE, RELIEF	VALVULA, DESCARGA	SOUPAPE	1	-		
040	16265-9667-0	GASKET	JUNTA	JOINT	2	-		
050	1C010-3696-0	PLUG	TAPON	BOUCHON	1	-		
060	1C010-3507-0	ASSY ROTOR, OIL PUMP	CONJ. ROTOR, ACT BMB	ROTOR DE POMPE HUILE	1	-		
070	1C010-3513-0	COVER, OIL PUMP	CUBIERTA, ACT L'NR	COUVERCLE DE POMPE	1	-		
080	03016-50616	SCREW, GSK-170	TORNILLO	VIS	1	-		
090	1C010-9602-0	PLUG	TAPON	BOUCHON	2	-		
095	16286-3375-0	PLUG, DRAIN	TAPON, VACTAR	BOUCHON, DE VIDANGE	1	-		
100	1C010-3288-0	COVER, OIL FILTER	CUBIERTA, ACT FLTR	COUVERCLE	1	-		
110	19202-9683-0	O RING	O ARO	JOINT TORIQUE	1	-		
120	01754-50820	BOLT, FLANGE	TORNILLO, BRIDA	VIS DE BUTEE	4	-		
130	1C020-0414-0	SEAL OIL	SELLO	BAGUE JOINT	1	-		
140	04814-00200	O RING	O ARO	JOINT TORIQUE	1	-		
150	04814-00240	O RING	O ARO	JOINT TORIQUE	1	-		
160		BLANK	POSTIZO	BLANC	-	-		
170	1C010-0416-2	PLATE, GEAR CASE	PLACA, ENGRANAJE CAJA	PLAQUE DE CAR. DIST.	1	-		
180	1C010-9103-0	BOLT, FLANGE	TORNILLO, BRIDA	VIS DE BUTEE	13	-		
190	1C010-9104-0	BOLT, FLANGE	TORNILLO, BRIDA	VIS DE BUTEE	2	-		
200	16264-8334-2	COVER, GEAR CASE	CUBIERTA, ENGRNJ CJ	COUV. CARTER DISTRIB	1	-		

↔ Interchangeable; ≠ not interchangeable; ← new for old; → old for new

0005

HEAD COVER
CULATA CUBIERTA
COUVRE-CULASSE



1KC11-007-'5

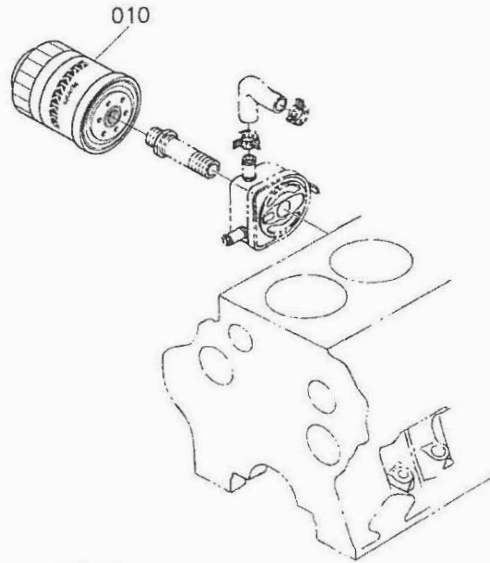
A: V3600-E3B-KEA-3

REF No. No. DE REF. POS No.	PART No. No. REF. REFERENCE	PART NAME	DESCRIPCION	DESIGNATION	Q' TY/S No. CANTIDAD/No DE SERIE Q' TE/No. S.		I. C.	REMARKS NOTA REMARQUES
					A	B		
010	1C010-1450-6	ASSY COVER, CYL. HEAD	CUBIERTA PRINCIPAL	ENS. COUVERCLE	1	-		
020	---	BLANK	POSTIZO	BLANC	-	-		
030	1J510-0537-0	SHIELD, OIL BREATHER	PROTECTOR, RSPRDR	BOUCLIER DE HUILE	3	-		
040	---	BLANK	POSTIZO	BLANC	-	-		
050	---	BLANK	POSTIZO	BLANC	-	-		
060	03054-50408	SCREW, PAN-HEAD	TORNILLO, CGRL-CLT	VIS	6	-		
070	16241-0555-0	JOINT, BREATHER PIPE	JUNTA, RSPRDR TB	RACCORD D'ASPI-TUYAU	1	-		
080	1C010-1452-0	GASKET, HEAD COVER	JUNTA, CLT CBRT	JOINT COUVRE-CULASSE	1	-		
090	1C010-0520-0	COMP. VALVE, BREATHER	COMP. VALVULA, RSPRDR	ENS. ROBINET DE REIN.	1	-		
100	1C010-0512-0	COVER, BREATHER	CUBIERTA, RESPIRADERO	COUVERCLE ASPIRATEUR	1	-		
110	03054-50508	SCREW, PAN-HEAD	TORNILLO, CGRL-CLT	VIS	6	-		
120	06311-85016	CAP. SEALING	TAPA, SELLADO	PASTILLE	2	-		
125	1C010-3308-0	ASSY PLUG, O/FILLER	CONJ. TAPON, ACT/FLTR	ENS. VIS-BOUCHON	1	-		
130	E9151-3314-0	PLUG, OIL FILLER	TAPON, ACT TPRS	BOUCHON, REMPLIS. H/L	1	-		
140	04817-50300	O RING	O ARO	JOINT TORIQUE	1	-		
150	1C010-9102-0	BOLT	TORNILLO	VIS	10	-		
160	1C010-0551-0	TUBE, BREATHER	TUBO, RESPIRADERO	TUYAU DE REINFLARD	1	-		
170	16241-3351-0	BAND, PIPE	BANDA, TUBO	COLLIER DE TUYAU	2	-		

↔ Interchangeable: ≠ not interchangeable: ← new for old: → old for new

0006

OIL FILTER
ACEITE FILTRO
FILTRE D' HUILE



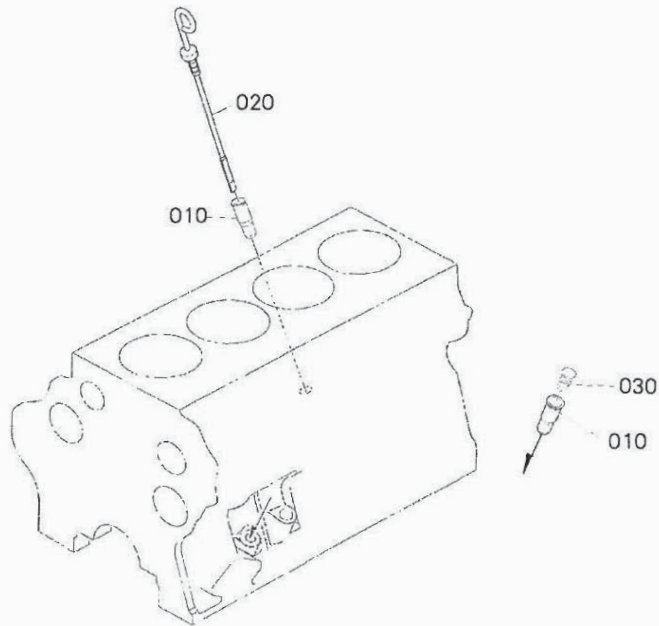
1J406-003-11

A:V3600-E3B-KEA-3

REF No. No. de REF. FIG No.	PART No. No. REF. REFERENCE	PART NAME	DESCRIPCION	DESIGNATION	Q' TY/S No. CANTIDAD/No DE SERIE		I. C.	REMARKS NOTA REMARQUES
					A	B		
010	HH100-3243-0	CARTRIDGE, OIL FILTER	CONJ. CARTUCHO, ACT	CARTOUCHE FILTRANTE	1	-		

0007

DIPSTICK AND GUIDE
 VARILLA DE NIVBL Y GUIA
 JAUGE D' HUILE ET GUIDE



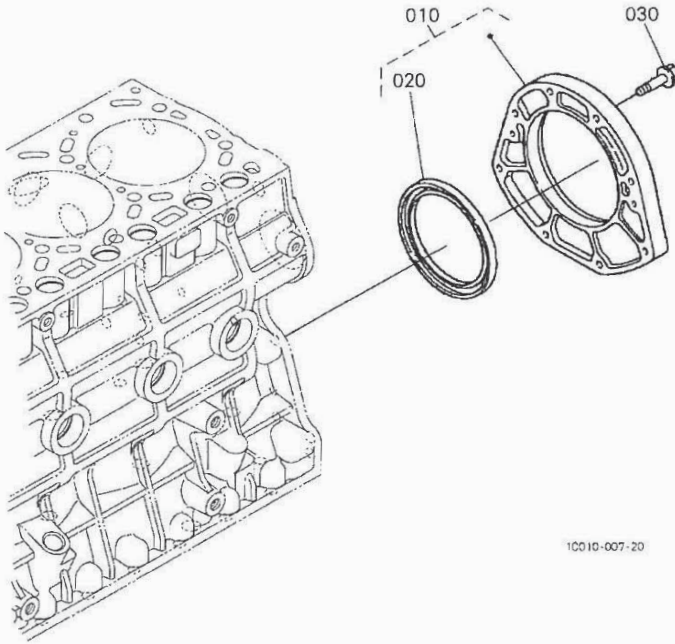
1J406 010 11

A:V3600-E3B-KEA-3

REF. No. No. DE REF. POS No.	PART No. No. REF. REFERENCE	PART NAME	DESCRIPCION	DESIGNATION	Q' TY/S. No. CANTIDAD/No. DE SERIE O' TE/No. S.		I. C.	REMARKS NOTA REMARQUES
					A	B		
010	1C010-3642-2	GUIDE, OIL GAUGE	GUIA, ACEITE MEDIDOR	GUIDE	2	-		
020	1C010-3641-2	GAUGE, OIL	MEDIDOR, ACEITE	JAUGE D' HUILE	1	-		
030	1G513-3655-0	PLUG, OIL GAUGE	TAPON, ACEITE MEDIDOR	BOUCHON DE JAUGE	1	-		

0100

MAIN BEARING CASE
PRINCIPAL RODAMIENTO CAJA
PALIERS DE VILEBREQUIN



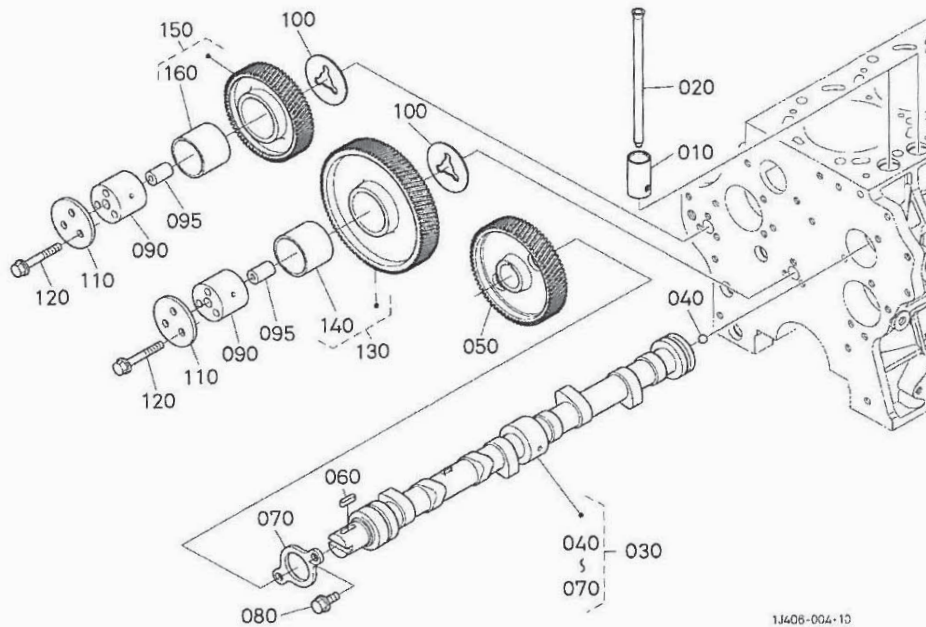
A: V3600-E3B-KEA-3

REF. No. No DE REF POS No	PART No. No. REF. REFERENCE	PART NAME	DESCRIPCION	DESIGNATION	Q'TY/S No. CANTIDAD/No. DE SERIE Q'TF/No. S.		I. C.	REMARKS NOTA REMARQUES
					A	B		
010	1C010-0430-0	ASSY COVER, BRG. CASE	CONJ. CUBIERTA, PNT GJ	PORTE JOINT	1	-		
020	1C010-0446-0	SEAL, OIL	SELLO	BAGUE JOINT	1	-		
030	01754-50830	BOLT, FLANGE	TORNILLO, BRIDA	VIS DE BUTEE	8	-		

(↔) interchangeable; ≠ not interchangeable; ← new for old; → old for n
8

0101

CAMSHAFT AND IDLE GEAR SHAFT
 ARBOL DE LEVAS Y PUNTO MUERTO ENGRANAJE EJE
 ARBRE A CAMES ET ARBRE DE PIGNON DE RALENTI



1J408-004-10

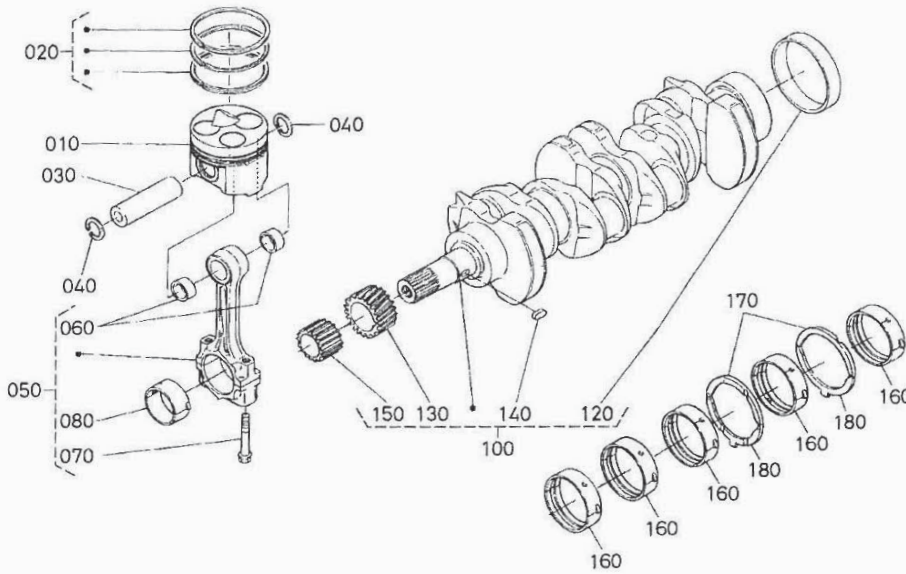
A: V3600-E3B-KEA-3

REF No. No. DE REF. FIG No.	PART No. No. REF. REFERENCE	PART NAME	DESCRIPCION	DESIGNATION	Q' TY/S. No. CANTIDAD/No DE SERIE		I. C.	REMARKS NOTA REMARQUES
					A	B		
010	15601-1555-0	TAPPET	EMPUJADOR	POUSSOIR	8	-		
020	1C010-1511-0	PUSH ROD	EMPUJAR VARILLA	TIGE DE POUSSOIR	8	-		
030	1J510-1601-0	ASSY CAMSHAFT	CONJ. ARBOL DE LEVAS	ENS. ARBRE A CAMES	1	-		
040	07715-01605	BALL	PELOTA	BILLE	1	-		
050	1C010-1651-2	GEAR, CAM	ENGRANAJE, LEVA	PIGNON	1	-		
060	05712-00520	KEY, FEATHER	LLAVE, PLUMA	CLAVETTE	1	-		
070	1C010-1627-0	STOPPER, CAMSHAFT	TAPON, ARBOL DE LEVAS	BOUCHPN ARBRE A CAME	1	-		
080	01754-50814	BOLT, FLANGE	TORNILLO, BRIDA	VIS DE BUTEE	2	-		
090	1C010-2425-0	SHAFT, IDLE GEAR	EJE, PNT MRT ENGRNJ	ARBRE DE PIGNON FOU	2	-		
095	1C010-2452-0	PIN, GEAR IDLE	PASADOR, ENGRNJ	GOUPILLE	2	-		
100	1C010-2436-0	COLLAR, IDLE GEAR	COLLARIN, PNT	COLLIER DE PIGNONF.	2	-		
110	1C010-2437-0	COLLAR, IDLE GEAR	COLLARIN, PNT	COLLIER DE PIGNONF.	2	-		
120	01754-50855	BOLT, FLANGE	TORNILLO, BRIDA	VIS DE BUTEE	6	-		
130	1C010-2401-2	COMP. GEAR, IDLE	COMP. ENGRANAJE	PIGNON FOU COMP.	1	-		
140	1C010-2498-2	BUSH, IDLE GEAR	CASQUILLO, PNT	BAGUE DU PIGNON	1	-		
150	1C010-2402-2	COMP. GEAR, IDLE	COMP. ENGRANAJE	PIGNON FOU COMP.	1	-		
160	1C010-2498-2	BUSH, IDLE GEAR	CASQUILLO, PNT	BAGUE DU PIGNON	1	-		

↔ Interchangeable; ≠ not interchangeable; ← new for old; → old for new

0102

PISTON AND CRANKSHAFT
PISTON Y CIGUENAL
PISTON ET VILEBREQUIN



1G534-004-11

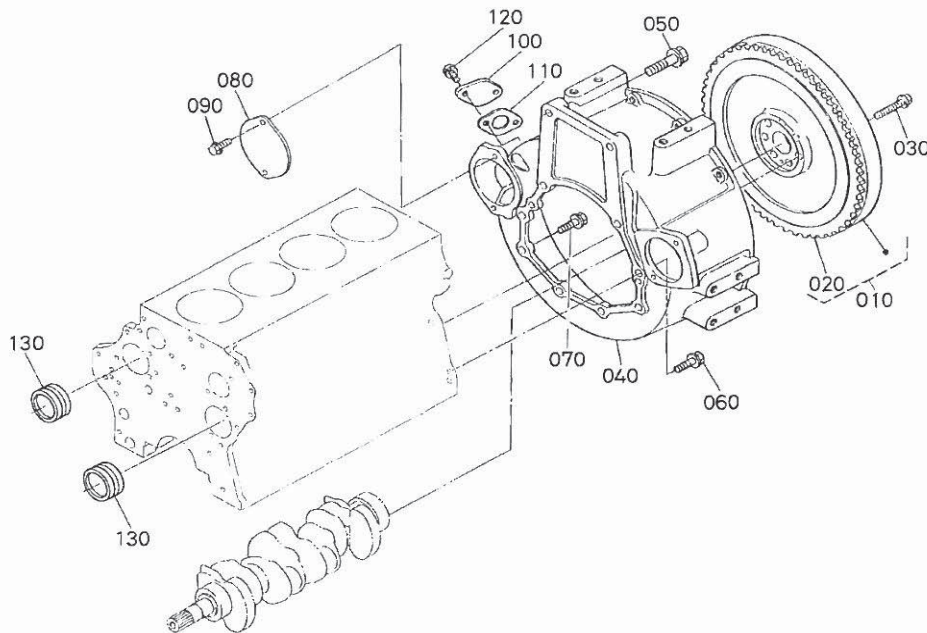
A:V3600-E3B-KEA-3

REF No No DE REF POS No	PART No. No. REF REFERENCE	PART NAME	DESCRIPCION	DESIGNATION	QTY/S.No CANTIDAD/No DE SERIE Q'TE/No. S.		I. C.	REMARKS NOTA REMARQUES
					A	B		
010	1J510-2111-0	PISTON	PISTON	PISTON	4	-		STD
010	1J510-2191-2	PISTON	PISTON	PISTON	4	-		+0 50mm
020	1C011-2105-0	ASSY PISTON RING	CONJUNTO PISTON ARO	ENS. SEGMENT	4	-		STD
020	1C011-2109-0	ASSY PISTON RING	CONJUNTO PISTON ARO	ENS. SEGMENT	4	-		+0 50mm
030	1C010-2131-0	PIN, PISTON	PASADOR, PISTON	AXE DE PISTON	4	-		
040	04611-00300	CIR CLIP, INTERNAL	ANILLO, INTERNO	CIRCLIP	8	-		
050	1J574-2201-0	ASSY ROD, CONNECTING	CONJ. VARILLA, CNCTND	ENS. BIELLE	4	-		
060	1J574-2198-0	BUSH, PISTON PIN	CASQUILLO, PSTN PSDR	BAGUE DE BIELLE	8	-		
070	1C010-2214-2	BOLT, CONNECTING ROD	TORNILLO, CNCTND VRLL	VIS DE BIELLE	8	-		
080	1C020-2231-2	METAL, CRANKPIN	METAL, MUNEQUILLA	COUSSINET DE BIELLE	4	-		STD/BLUE/SET
080	1C020-2233-2	METAL, CRANKPIN	METAL, MUNEQUILLA	COUSSINET DE BIELLE	4	-		STD/SET
080	1C020-2296-2	METAL, CRANKPIN	METAL, MUNEQUILLA	COUSSINET DE BIELLE	4	-		-0.20mm/GREEN/SET
080	1C020-2297-2	METAL, CRANKPIN	METAL, MUNEQUILLA	COUSSINET DE BIELLE	4	-		-0.40mm/RED/SET
090	---	BLANK	POSTIZO	BLANC	-	-		
100	1G520-2301-0	COMP. CRANKSHAFT	COMPLETO CIGUENAL	VILEBREQUIN COMPLET	1	-		
110	---	BLANK	POSTIZO	BLANC	-	-		
120	1C010-2330-0	SLEEVE, CRANKSHAFT	CASQUILLO, CIGUENAL	FRETTE ARRIERE	1	-		
130	1C010-2411-2	GEAR, CRANKSHAFT	ENGRANAJE, CIGUENAL	PIGNON DE VILEBREQ.	1	-		
140	05712-00515	KEY, FEATHER	LLAVE, PLUMA	CLAVETTE	1	-		
150	1C010-3563-0	GEAR, OIL PUMP DRIVE	ENGRANAJE, ACT	PIGNON ENTRAIN. POMPE	1	-		
160	1C020-2347-0	METAL, CRANKSHAFT	METAL, CIGUENAL	COUSSINET DE VILEBR.	5	-		STD/SET
160	1C020-2391-0	METAL, CRANKSHAFT	METAL, CIGUENAL	COUSSINET DE VILEBR.	5	-		-0.20mm/SET
160	1C020-2392-0	METAL, CRANKSHAFT	METAL, CIGUENAL	COUSSINET DE VILEBR.	5	-		-0.40mm/SET
170	1C010-2353-0	METAL, SIDE	METAL, LADO	COUSSINET DE LATERAL	2	-		STD
170	1C010-2395-0	METAL, SIDE	METAL, LADO	COUSSINET DE LATERAL	2	-		+0 20mm
170	1C010-2396-0	METAL, SIDE	METAL, LADO	COUSSINET DE LATERAL	2	-		+0 40mm
180	1C010-2354-0	METAL, SIDE	METAL, LADO	COUSSINET DE LATERAL	2	-		STD
180	1C010-2397-0	METAL, SIDE	METAL, LADO	COUSSINET DE LATERAL	2	-		+0 20mm
180	1C010-2398-0	METAL, SIDE	METAL, LADO	COUSSINET DE LATERAL	2	-		+0 40mm

↔ Interchangeable: ≠ not interchangeable: ← new for old: → old for new

0103

FLYWHEEL
VOLANTE
VOLANT MOTEUR



1G521-024-21

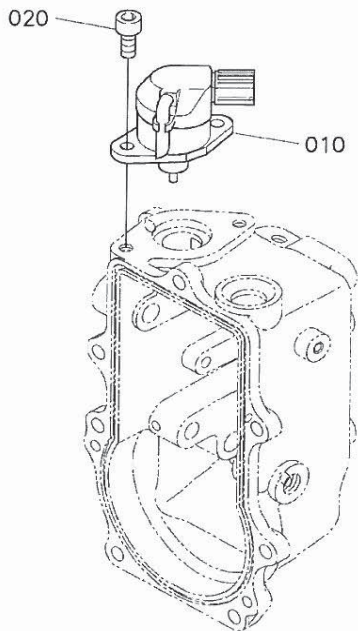
A:V3600-E3B-KEA-3

REF. No. No. de REF. PC3 No.	PART No. No. REF. REFERENCE	PART NAME	DESCRIPCION	DESIGNATION	Q'TY/S No. CANTIDAD/No DE SERIE O TE/No. S.		I. C.	REMARKS NOTA REMARQUES
					A	B		
010	1G521-2501-0	COMP. FLYWHEEL	COMPLETO VOLANTE	VOLANT MOTEUR COMP.	1	-		
020	1G772-6382-0	GEAR RING	ENGRANAJE ARO	GOURONNE DE DEMARRE.	1	-		
030	15471-2516-2	BOLT, FLYWHEEL	TORNILLO, VOLANTE	VIS DE VOLANT	7	-		
040	1G521-0461-0	HOUSING, FLYWHEEL	CARCASA, VOLANTE	CARTER VOLANT	1	-		
050	01779-51445	BOLT, UBS	TORNILLO, UBS	VIS	2	-		
060	1G772-9103-2	BOLT, FLANGE	TORNILLO, BRIDA	VIS DE BUTEE	6	-		
070	1G521-9103-0	BOLT, FLANGE	TORNILLO, BRIDA	VIS DE BUTEE	2	-		
080	1C010-0445-0	COVER, F/W HOUSING	CUBIERTA, FRSC/AG	COUVERCLE DE CAR. VO.	1	-		
090	01774-51018	BOLT, FLANGE	TORNILLO, BRIDA	VIS DE BUTEE	2	-		
100	15521-0468-0	COVER	CUBIERTA	COUVERGLE	1	-		
110	15521-0479-0	PACKING, COVER	EMBALAJE, CUBIERTA	JOINT	1	-		
120	01123-60816	BOLT	TORNILLO	VIS	2	-		
130	1C020-2634-0	COVER, BLANCER	CUBIERTA, COMPENSADOR	COUVERCLE DE BALANC	2	-		

(↔) Interchangeable; ≠ not interchangeable; ← new for old; → old for new

0201

STOP SOLENOID
PARAR SOLENOIDE
SOLENOIDE D' ARRET



1G522-022-20

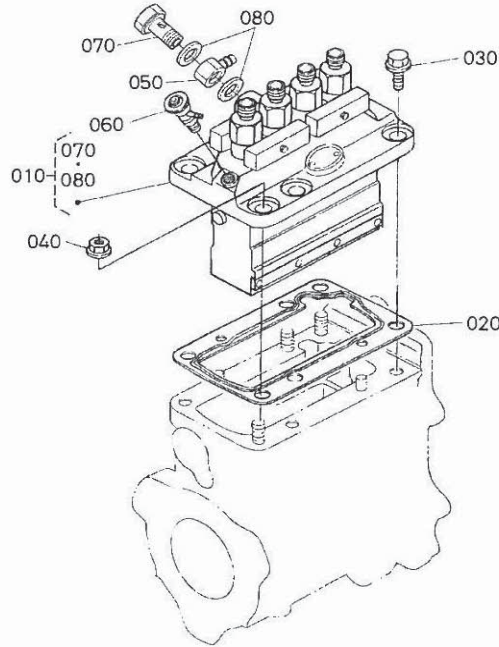
A: V3600-E3B-KEA-3

REF. No. No. DE REF. POS No	PART No. No. REF. REFERENCE	PART NAME	DESCRIPCION	DESIGNATION	Q' TY/S. No. CANTIDAD/No. DE SERIE Q' TE/No. S.		I. C.	REMARKS NOTA REMARQUES
					A	B		
010	1C010-6001-5	SOLENOID, STOP	SOLENOIDE, PARAR	SOLENOIDE D' ARRET	1	-		
020	01311-10616	BOLT, HEX-SOG-HD	TORNILLO	VIS	2	-		

↔ interchangeable; ≠ not interchangeable; ← new for old; → old for new

0202

INJECTION PUMP
INYECCION BOMBA
POMPE D' INJECTION



16534-013-11

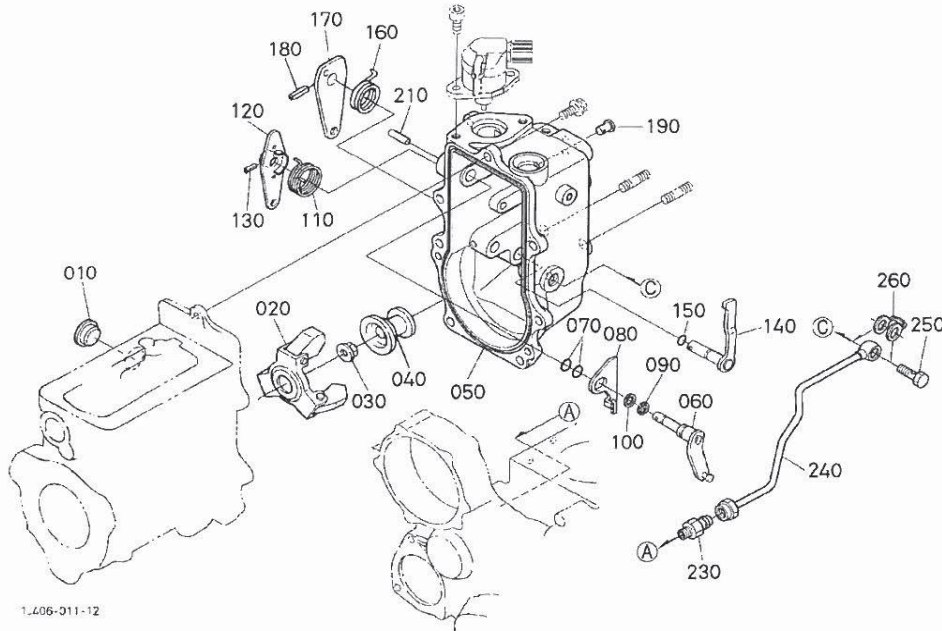
A: V3600-E3B-KEA-3

Table with columns: REF No., PART No., PART NAME, DESCRIPCION, DESIGNATION, Q'TY/S. No., CANTIDAD/No. DE SERIE, Q' TE/No. S., I. C., REMARKS. Contains 8 rows of part data including injection pump assembly, shim, bolts, nuts, joints, cock, screws, and gasket.

↔ Interchangeable; ≠ not interchangeable; ← new for old; → old for new

0204

GOVERNOR
REGULADOR
REGULATEUR DE VITESSES



1.406-911-12

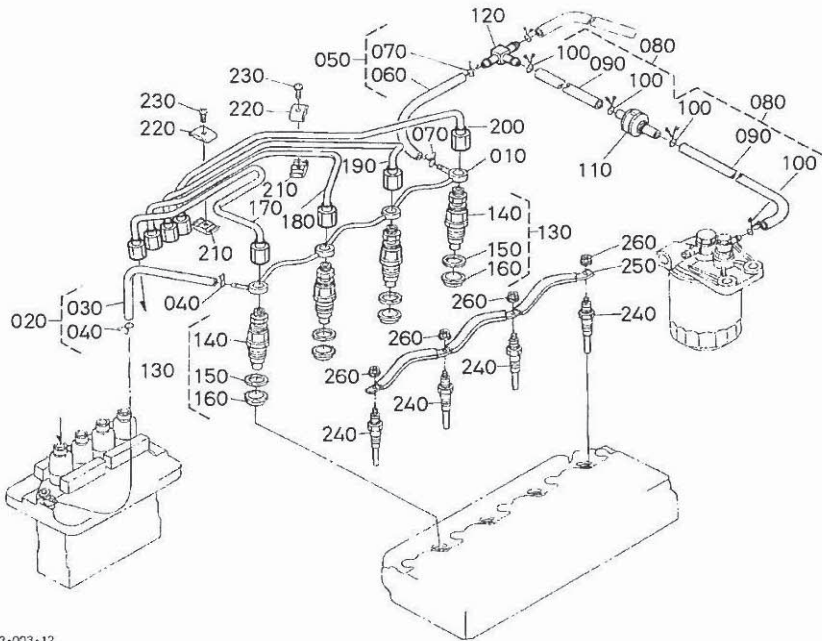
A: V3600-E3B-KEA-3

REF No. No. DE REF POS No	PART No. No. REF. REFERENCE	PART NAME	DESCRIPCION	DESIGNATION	Q' TY/S. No. CANTIDAD/No. DE SERIE O' TF/No. S.		I. C.	REMARKS NOTA REMARQUES
					A	B		
010	1C010-5675-0	COVER, GOVERNOR ROD	CUBIERTA, RGLDR VRLL	COUVERGLE DE TIGE	1	-		
020	1C020-5505-0	ASSY WEIGHT, GOVERNOR	CONJ. PESO, RGLDR	ENS. POIDS	1	-		
030	02771-50120	NUT, FLANGE	TUERCA, BRIDA	ECROU A EMBASE	1	-		
040	1C020-5545-3	SLEEVE, GOVERNOR	CASQUILLO, REGULADOR	BAGUE DE REGULATEUR	1	-		
050	1C011-5510-4	HOUSING, GOVERNOR	CARCASA, REGULADOR	LOGEMENT DE REGULAT	1	-		
060	1C010-5602-3	ASSY LEVER (GOVERNOR)	CONJ. PALANCA (RGLDR)	ENS. LEVIER (REGULAT.)	1	-		
070	04814-10070	O RING	O ARO	JOINT TORIQUE	2	-		
080	1C010-6015-3	LEVER, STOP	PALANCA, PARAR	LEVIER D' ARRET	1	-		
090	04613-50120	CIR CLIP, EXTERNAL	ANILLO, EXTERNO	CIRCLIP	1	-		
100	15221-1443-0	WASHER, R-ARM. SHAFT	ARANDELA, BLNCRN-BRZ	RONDELLE	1	-		
110	1C010-5751-2	SPRING	RESORTE	RESSORT	1	-		
120	1K012-5715-0	LEVER, SPEED CONTROL	PALANCA, VLCDR CNTRL	LEVIER DE VIT-CONTR.	1	-		
130	05411-00416	PIN, SPRING	PASADOR, RESORTE	GOUPILLE-RESSORT	1	-		
140	1C010-5770-0	ASSY LEVER, ENG. STOP	CONJ. PALANCA, MTR PRR	LEVIER D' ARRET COMP.	1	-		
150	04814-10070	O RING	O ARO	JOINT TORIQUE	1	-		
160	15471-5792-0	SPRING, RETURN	RESORTE, DEVOLVER	RESSORT DE RAPPEL	1	-		
170	1C010-5762-0	LEVER, ENGINE STOP	PALANCA	LEVIER D' ARRET	1	-		
180	05411-00416	PIN, SPRING	PASADOR, RESORTE	GOUPILLE-RESSORT	1	-		
190	15221-5628-0	PIN, START SPRING	PASADOR, ARRNO RSRT	GOUPILLE DU RESSORT	1	-		
200		BLANK	POSTIZO	BLANC	-	-		
210	1C010-9451-0	PIN, STRAIGHT	PASADOR	GOUPILLE CYLINDRIQUE	1	-		
220		BLANK	POSTIZO	BLANC	-	-		
230	15707-3336-0	JOINT, UNION	JUNTA, UNION	JOINT DE UNION	1	-		
240	1C010-3332-0	ASSY PIPE, I. P OIL	CONJ. TUBO, I. P ACT	TUYAU A HUILE	1	-		
250	17371-9580-0	BOLT, EYE JOINT	TORNILLO, OJO JUNTA	VIS	1	-		
260	1G777-9665-0	GASKET	JUNTA	JOINT	1	-		

↔ Interchangeable; ≠ not interchangeable; ← new for old; → old for new

0206

NOZZLE HOLDER AND GLOW PLUG
TOBERA SOPORTE Y BUJIA DE CALENTAMIENTO TAPON
PORTE-INJECTEUR ET BOUGIE DE PRECHAUFFAGE



IG533-003-12

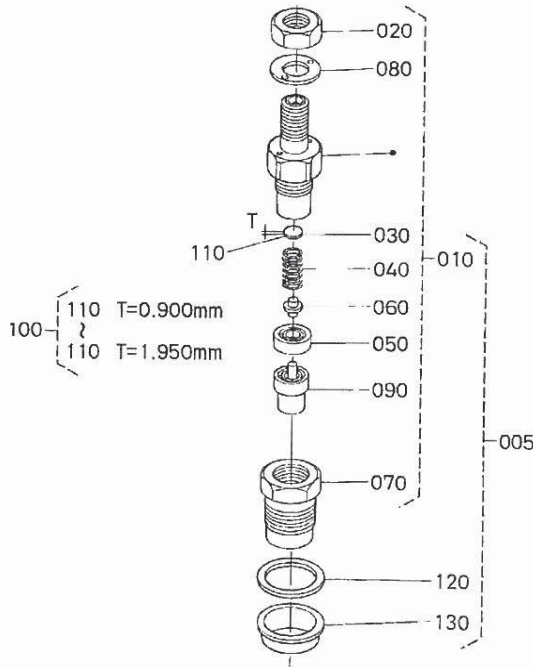
A:V3600-E3B-KEA-3

REF No. No. DE REF. POS No.	PART No. No. REF. REFERENCE	PART NAME	DESCRIPCION	DESIGNATION	Q' TY/S. No. CANTIDAD/No DE SERIE Q' TE/No. S.		I. C.	REMARKS NOTA REMARQUES
					A	B		
010	1C010-4250-0	ASSY PIPE, OVER FLOW	CONJ. TUBO, ENCM CDL	ENS. TUYAU TROP-PLEIN	1	-		
020	1C010-4240-0	ASSY PIPE, OVER FLOW	CONJ. TUBO, ENCM CDL	ENS. TUYAU TROP-PLEIN	1	-		
030	09661-40170	TUBE, FUEL	TUBO	TUYAU	1	-		
040	14971-4275-0	CLIP, PIPE	PRESILLA, TUBO	ATTACHE	2	-		
050	1C010-4240-0	ASSY PIPE, OVER FLOW	CONJ. TUBO, ENCM CDL	ENS. TUYAU TROP-PLEIN	1	-		
060	09661-40170	TUBE, FUEL	TUBO	TUYAU	1	-		
070	14971-4275-0	CLIP, PIPE	PRESILLA, TUBO	ATTACHE	2	-		
080	1C010-4204-0	ASSY PIPE, OVER FLOW	CONJ. TUBO, ENCM CDL	ENS. TUYAU TROP-PLEIN	2	-		
090	09661-40070	TUBE, FUEL	TUBO	TUYAU	2	-		
100	14971-4275-0	CLIP, PIPE	PRESILLA, TUBO	ATTACHE	4	-		
110	1C010-4246-0	VALVE, FUEL CHECK	VALVULA, OMBSTBL	ROBINET CRAQUELRE	1	-		
120	1G065-4236-0	JOINT, T-PIPE	JUNTA, T-TUBO	RACCORD DE TUYAU	1	-		
130	1C010-5390-0	KIT HOLDER, NOZZLE	KIT SOPORTE, TOBERA	ENS. PORTE- INJECTEUR	4	-		
140	1C010-5300-0	ASSY HOLDER, NOZZLE	CONJ. SOPORTE, TBR	ENS. PORTE- INJECTEUR	4	-		
150	15841-5362-2	GASKET	JUNTA	JOINT	4	-		
160	19077-5365-0	SEAL, HEAT	RETEN, CALOR	JOINT DE CHALEUR	4	-		
170	1C010-5371-0	PIPE, INJECTION	INYEctor DE LA PIPA	TUYAU D' INJECTEUR	1	-		
180	1C010-5372-0	PIPE, INJECTION	INYEctor DE LA PIPA	TUYAU D' INJECTEUR	1	-		
190	1C010-5373-0	PIPE, INJECTION	INYEctor DE LA PIPA	TUYAU D' INJECTEUR	1	-		
200	1C010-5374-0	PIPE, INJECTION	INYEctor DE LA PIPA	TUYAU D' INJECTEUR	1	-		
210	15841-5385-0	CLAMP, PIPE	ABRAZADERA	COLLIER DE TUYAU	3	-		
220	15841-5386-0	CLAMP, PIPE	ABRAZADERA	COLLIER DE TUYAU	3	-		
230	03024-50520	SCREW, WITH WASHER	TORNILLO	VIS	3	-		
240	16415-6551-2	GLOW PLUG	BUJIA CALENTAMIENTO	BOUGIE, PRE-CHAUFFAGE	4	-		
250	1C010-6556-0	CORD, GLOW PLUG	CABLE, BJ GLNTMNT TPN	FILDEBOUG, PRECHAUFF.	1	-		
260	02761-50040	NUT, FLANGE	TUERCA, BRIDA	ECROU A EMBASE	4	-		

(↔) Interchangeable; (≠) not interchangeable; (←) new for old; (→) old for new

0207

NOZZLE HOLDER (COMPONENT PARTS)
 TOBERA SOPORTE (COMPONENTE PIEZAS)
 PORTE-INJECTEUR (PARTIES COMPOSANTES)



10541-021-11

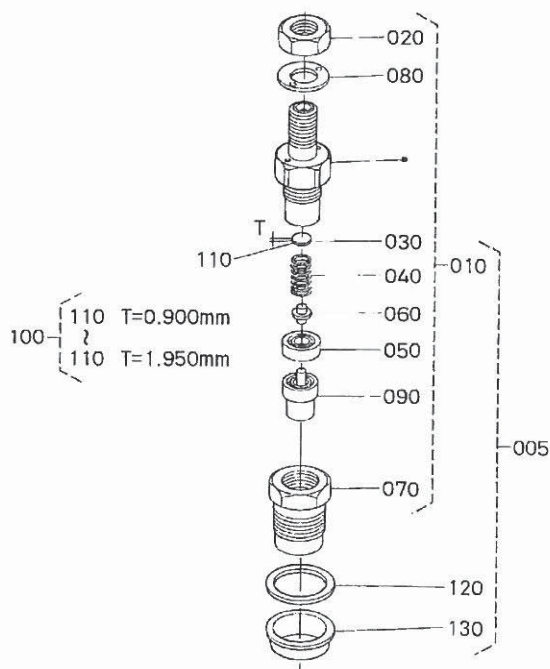
A:V3600-E3B-KEA-3

REF No. No. de REF. POS No.	PART No. No. REF. REFERENCE	PART NAME	DESCRIPCION	DESIGNATION	Q' TY./S. No. CANTIDAD/No. DE SERIE Q' TE/No. S.		I. C.	REMARKS NOTA REMARQUES
					A	B		
005	1C010-5390-0	KIT HOLDER, NOZZLE	KIT SOPORTE, TOBERA	ENS. PORTE-INJECTEUR	4	-		
010	1C010-5300-0	ASSY HOLDER, NOZZLE	CONJ SOPORTE, TBR	ENS. PORTE-INJECTEUR	4	-		
020	15841-9203-0	NUT	TUERCA	ECROU	4	-		
030	15841-5323-0	WASHER, ADJUSTING	ARANDELA, AJUSTE	RONDELLE DE REGLAGE	4	-		0.900mm
040	1C010-5317-0	SPRING, NOZZLE	RESORTE, TOBERA	RESSORT D' INJECTEUR	4	-		
050	15841-5335-0	PIECE, DISTANCE	PIEZA, DISTANCIA	CALE DE BLOCAGE	4	-		
060	15841-5316-0	PUSH ROD	EMPUJAR VARILLA	TIGE DE POUSSOIR	4	-		
070	16475-5328-0	NUT, NOZZLE	TUERCA, TOBERA	ECROU D' INJECTEUR	4	-		
080	15841-9404-0	WASHER	ARANDELA	RONDELLE	4	-		
090	1C010-5361-0	PIECE, NOZZLE	PIEZA, TOBERA	ELEMENT D' INJECTEUR	4	-		
100	15841-9810-0	ASSY WASHER, ADJUST	CONJ. ARANDELA, AJSTR	ENS. RONDELLE	4	-		OPTION
110	15841-5323-0	WASHER, ADJUSTING	ARANDELA, AJUSTE	RONDELLE DE REGLAGE	4	-		0.900mm
110	15841-9851-0	WASHER, ADJUSTING	ARANDELA, AJUSTE	RONDELLE DE REGLAGE	4	-		0.925mm
110	15841-9852-0	WASHER, ADJUSTING	ARANDELA, AJUSTE	RONDELLE DE REGLAGE	4	-		0.950mm
110	15841-9853-0	WASHER, ADJUSTING	ARANDELA, AJUSTE	RONDELLE DE REGLAGE	4	-		0.975mm
110	15841-9854-0	WASHER, ADJUSTING	ARANDELA, AJUSTE	RONDELLE DE REGLAGE	4	-		1.000mm
110	15841-9855-0	WASHER, ADJUSTING	ARANDELA, AJUSTE	RONDELLE DE REGLAGE	4	-		1.025mm
110	15841-9856-0	WASHER, ADJUSTING	ARANDELA, AJUSTE	RONDELLE DE REGLAGE	4	-		1.050mm
110	15841-9857-0	WASHER, ADJUSTING	ARANDELA, AJUSTE	RONDELLE DE REGLAGE	4	-		1.075mm
110	15841-9858-0	WASHER, ADJUSTING	ARANDELA, AJUSTE	RONDELLE DE REGLAGE	4	-		1.100mm
110	15841-9859-0	WASHER, ADJUSTING	ARANDELA, AJUSTE	RONDELLE DE REGLAGE	4	-		1.125mm
110	15841-9860-0	WASHER, ADJUSTING	ARANDELA, AJUSTE	RONDELLE DE REGLAGE	4	-		1.150mm
110	15841-9861-0	WASHER, ADJUSTING	ARANDELA, AJUSTE	RONDELLE DE REGLAGE	4	-		1.175mm
110	15841-9862-0	WASHER, ADJUSTING	ARANDELA, AJUSTE	RONDELLE DE REGLAGE	4	-		1.200mm
110	15841-9863-0	WASHER, ADJUSTING	ARANDELA, AJUSTE	RONDELLE DE REGLAGE	4	-		1.225mm
110	15841-9864-0	WASHER, ADJUSTING	ARANDELA, AJUSTE	RONDELLE DE REGLAGE	4	-		1.250mm
110	15841-9865-0	WASHER, ADJUSTING	ARANDELA, AJUSTE	RONDELLE DE REGLAGE	4	-		1.275mm
110	15841-9866-0	WASHER, ADJUSTING	ARANDELA, AJUSTE	RONDELLE DE REGLAGE	4	-		1.300mm
110	15841-9867-0	WASHER, ADJUSTING	ARANDELA, AJUSTE	RONDELLE DE REGLAGE	4	-		1.325mm
110	15841-9868-0	WASHER, ADJUSTING	ARANDELA, AJUSTE	RONDELLE DE REGLAGE	4	-		1.350mm

↔ Interchangeable: ≠ not interchangeable: ← new for old: → old for new

0207

NOZZLE HOLDER (COMPONENT PARTS)
 TOBERA SOPORTE (COMPONENTE PIEZAS)
 PORTE-INJECTEUR (PARTIES COMPOSANTES)



1G541-021-11

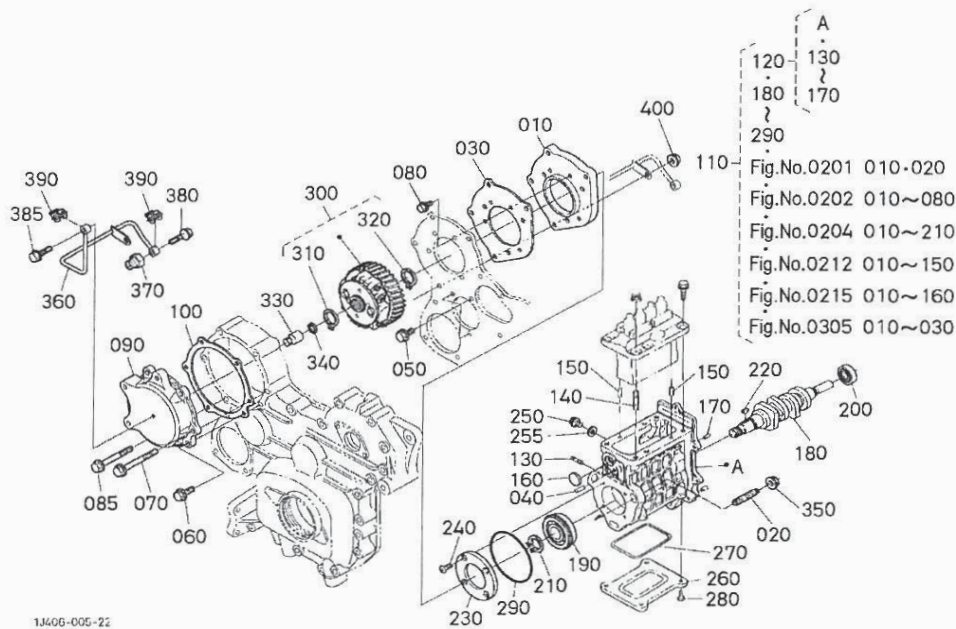
A:V3600-E3B-KEA-3

REF No. No. DE REF. POS No.	PART No. No. REF. REFERENCE	PART NAME	DESCRIPCION	DESIGNATION	Q'TY/S. No. CANTIDAD/No. DE SERIE Q'TE/No. S.		I. C.	REMARKS NOTA REMARQUES
					A	B		
110	15841-9869-0	WASHER, ADJUSTING	ARANDELA, AJUSTE	RONDELLE DE REGLAGE	4	-		1 375mm
110	15841-9870-0	WASHER, ADJUSTING	ARANDELA, AJUSTE	RONDELLE DE REGLAGE	4	-		1 400mm
110	15841-9871-0	WASHER, ADJUSTING	ARANDELA, AJUSTE	RONDELLE DE REGLAGE	4	-		1 425mm
110	15841-9872-0	WASHER, ADJUSTING	ARANDELA, AJUSTE	RONDELLE DE REGLAGE	4	-		1 450mm
110	15841-9873-0	WASHER, ADJUSTING	ARANDELA, AJUSTE	RONDELLE DE REGLAGE	4	-		1 475mm
110	15841-9874-0	WASHER, ADJUSTING	ARANDELA, AJUSTE	RONDELLE DE REGLAGE	4	-		1 500mm
110	15841-9875-0	WASHER, ADJUSTING	ARANDELA, AJUSTE	RONDELLE DE REGLAGE	4	-		1 525mm
110	15841-9876-0	WASHER, ADJUSTING	ARANDELA, AJUSTE	RONDELLE DE REGLAGE	4	-		1 550mm
110	15841-9877-0	WASHER, ADJUSTING	ARANDELA, AJUSTE	RONDELLE DE REGLAGE	4	-		1 575mm
110	15841-9878-0	WASHER, ADJUSTING	ARANDELA, AJUSTE	RONDELLE DE REGLAGE	4	-		1 600mm
110	15841-9879-0	WASHER, ADJUSTING	ARANDELA, AJUSTE	RONDELLE DE REGLAGE	4	-		1 625mm
110	15841-9880-0	WASHER, ADJUSTING	ARANDELA, AJUSTE	RONDELLE DE REGLAGE	4	-		1 650mm
110	15841-9881-0	WASHER, ADJUSTING	ARANDELA, AJUSTE	RONDELLE DE REGLAGE	4	-		1 675mm
110	15841-9882-0	WASHER, ADJUSTING	ARANDELA, AJUSTE	RONDELLE DE REGLAGE	4	-		1 700mm
110	15841-9883-0	WASHER, ADJUSTING	ARANDELA, AJUSTE	RONDELLE DE REGLAGE	4	-		1 725mm
110	15841-9884-0	WASHER, ADJUSTING	ARANDELA, AJUSTE	RONDELLE DE REGLAGE	4	-		1 750mm
110	15841-9885-0	WASHER, ADJUSTING	ARANDELA, AJUSTE	RONDELLE DE REGLAGE	4	-		1 775mm
110	15841-9886-0	WASHER, ADJUSTING	ARANDELA, AJUSTE	RONDELLE DE REGLAGE	4	-		1 800mm
110	15841-9887-0	WASHER, ADJUSTING	ARANDELA, AJUSTE	RONDELLE DE REGLAGE	4	-		1 825mm
110	15841-9888-0	WASHER, ADJUSTING	ARANDELA, AJUSTE	RONDELLE DE REGLAGE	4	-		1 850mm
110	15841-9889-0	WASHER, ADJUSTING	ARANDELA, AJUSTE	RONDELLE DE REGLAGE	4	-		1 875mm
110	15841-9890-0	WASHER, ADJUSTING	ARANDELA, AJUSTE	RONDELLE DE REGLAGE	4	-		1 900mm
110	15841-9891-0	WASHER, ADJUSTING	ARANDELA, AJUSTE	RONDELLE DE REGLAGE	4	-		1 925mm
110	15841-9892-0	WASHER, ADJUSTING	ARANDELA, AJUSTE	RONDELLE DE REGLAGE	4	-		1 950mm
120	15841-5362-2	GASKET	JUNTA	JOINT	4	-		
130	19077-5365-0	SEAL, HEAT	RETEN, CALOR	JOINT DE CHALEUR	4	-		

(↔) Interchangeable; (≠) not interchangeable; (←) new for old; (→) old for new

0209

PUMP HOUSING
BOMBA CARCASA
CARTER DE POMPE



1J406-005-22

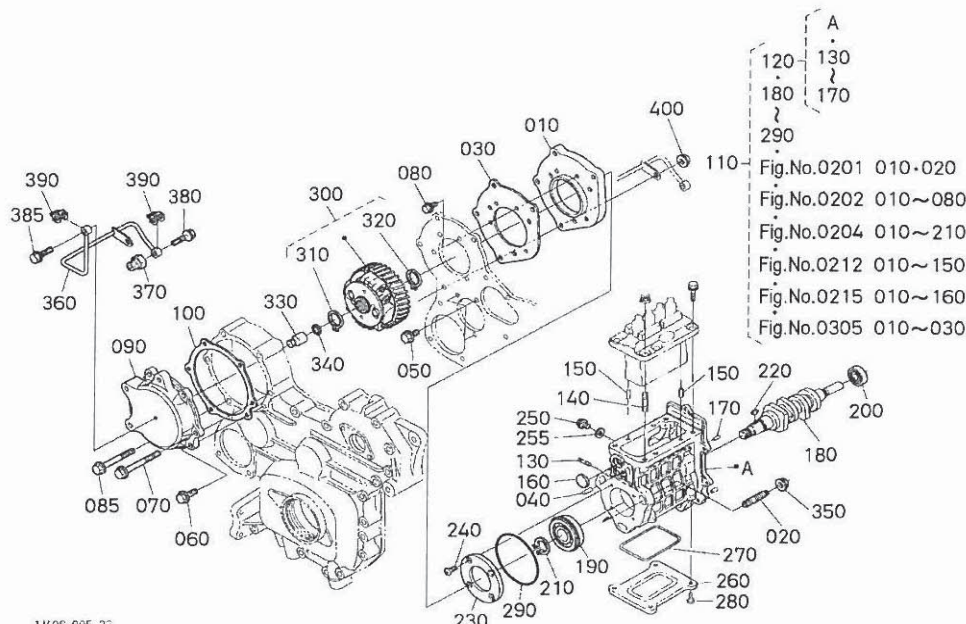
A: V3600-E3B-KEA-

REF No. No DE REF. FIG No	PART No. No. REF. REFERENCE	PART NAME	DESCRIPCION	DESIGNATION	Q' TY/S. No. CANTIDAD/No DE SERIE Q' TE/No. S.		I. C.	REMARKS NOTA REMARQUES
					A	B		
010	1C010-5117-4	BASE, INJECTION PUMP	BASE, INYECCION BOMBA	CORPS DE POMPE D' IN	1	-		
020	1C020-9149-0	STUD	ESPARRAGO	GOUJON	3	-		
030	1C010-5118-0	GASKET, I/P BASE	JUNTA, I/P BASE	JOINT DE CORPS	1	-		
040	05012-00614	PIN, STRAIGHT	PASADOR	GOUPILLE CYLINDRIQUE	1	-		
050	01754-50814	BOLT, FLANGE	TORNILLO, BRIDA	VIS DE BUTEE	3	-		
060	01754-50825	BOLT, FLANGE	TORNILLO, BRIDA	VIS DE BUTEE	1	-		
070	01754-50875	BOLT, FLANGE	TORNILLO, BRIDA	VIS DE BUTEE	4	-		
080	01754-50614	BOLT, FLANGE	TORNILLO, BRIDA	VIS DE BUTEE	3	-		
085	1G596-9101-0	BOLT, FLANGE	TORNILLO, BRIDA	VIS DE BUTEE	1	-		
090	1G574-5165-2	COVER, INJ. PUMP	CUBIERTA, INYCCN BMB	COUVERCLE FILTRE D'	1	-		
100	1C010-5166-3	GASKET, I/P COVER	JUNTA, I/P CUBIERTA	JOINT DE COUVERCLE	1	-		
110	1J405-5010-0	KIT PUMP, INJECTION	KIT BOMBA, INYECCION	ENS. POMPE D' INJECTIO	1	-		
120	1C010-5080-0	ASSY HOUSING, I/P	CONJUNTO CARCASA, I/P	ENS. LOGEMENT POMPE	1	-		
130	16245-9154-0	STUD	ESPARRAGO	GOUJON	2	-		
140	15471-9153-0	STUD	ESPARRAGO	GOUJON	3	-		
150	05012-00609	PIN, STRAIGHT	PASADOR	GOUPILLE CYLINDRIQUE	2	-		
160	1C010-5514-0	PLUG, I/P HOUSING	TAPON, I/P CARCASA	BOUCHON DE POMPE	1	-		
170	05012-00512	PIN, STRAIGHT	PASADOR	GOUPILLE CYLINDRIQUE	2	-		
180	1C010-1617-5	CAMSHAFT, FUEL	ARBOL LEVAS, CMBSTBL	ARBRE A CAMES	1	-		
190	1G527-1657-0	BEARING, BALL	RODAMIENTO	ROULEMENT A BILLES	1	-		
200	08101-06203	BEARING, BALL	RODAMIENTO	ROULEMENT A BILLES	1	-		
210	04612-00200	CIR CLIP, EXTERNAL	ANILLO, EXTERNO	CIRCLIP	1	-		
220	12331-9523-0	KEY, WOODRUFF	LLAVE, ASPERILLA	CLAVETTE WOODRUFF	1	-		
230	1C020-1632-2	STOPPER, FUEL C/SHAFT	TAPON, CMBSTBL LV/EJ	BOUCHON ARBRE A CAM.	1	-		
240	03016-50616	SCREW, GSK-HD	TORNILLO	VIS	4	-		
250	01754-50814	BOLT, FLANGE	TORNILLO, BRIDA	VIS DE BUTEE	2	-		
255	15021-3366-0	GASKET	JUNTA	JOINT	2	-		
260	1C010-1621-0	COVER, FUEL CAMSHAFT	CUBIERTA, CMBSTBL	COUV. ARBRE A CAMES	1	-		
270	1C010-1622-0	GASKET, SHAFT COVER	JUNTA, EJE CUBIERTA	JOINT, ARBRE COUVERC.	1	-		
280	13901-9102-0	BOLT	TORNILLO	VIS	4	-		

↔ Interchangeable; ≠ not interchangeable; ← new for old; → old for new

0209

PUMP HOUSING
BOMBA CARCASA
CARTER DE POMPE



1J406-005-22

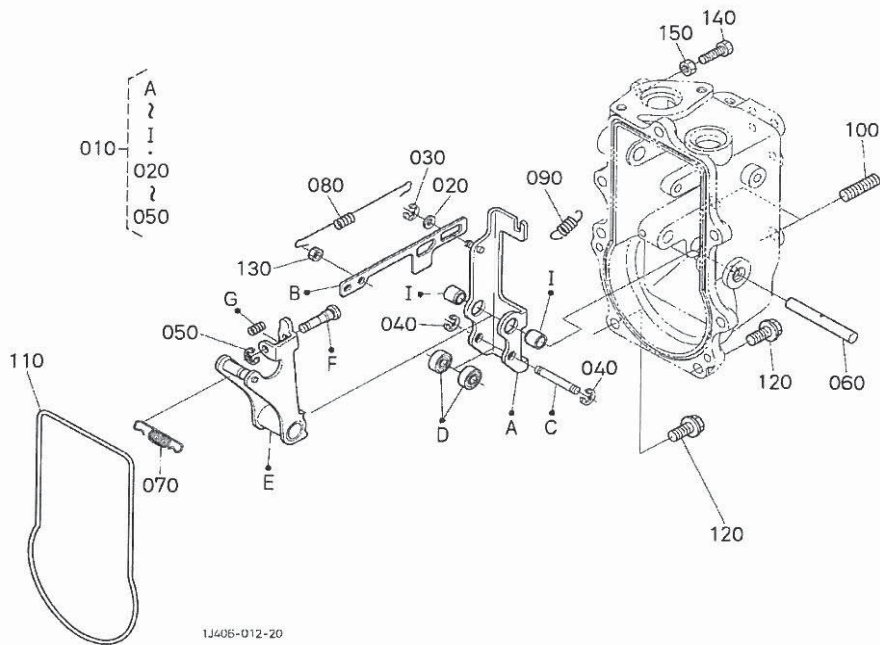
A:V3600-E3B-KEA-3

REF No No. DE REF FIG No	PART No. No. REF. REFERENCE	PART NAME	DESCRIPCION	DESIGNATION	Q' TY/S. No. CANTIDAD/No. DE SERIE Q' TF/No. S.		I. C.	REMARKS NOTA REMARQUES
					A	B		
290	1C010-5213-0	GASKET, INJ. PUMP	JUNTA, INYCCN BMB	JOINT DE POMPED' IN.	1	-		
300	1J510-5110-6	ASSY TIMER MECHAN.	CONJ. CON. DE TIEMPO	TEMPORISATEUR MECAN.	1	-		
310	33740-2729-2	CIR CLIP, EXTERNAL	ANILLO, EXTERNO	CIRCLIP	1	-		
320	04612-00300	CIR CLIP, EXTERNAL	ANILLO, EXTERNO	CIRCLIP	1	-		
330	1J550-5258-0	NUT	TUERCA	ECROU	1	-		
340	1J550-5259-0	SPRING PLATE	RESORTE, PLACA	RONDELLE BELLEVILLE	1	-		
350	02751-50080	NUT, FLANGE	TUERCA, BRIDA	ECROU A EMBASE	3	-		
360	1G596-3331-4	COMP. PIPE, OIL	COMP. TUBO, ACEITE	TUYAU COMP.	1	-		
370	1G596-3328-0	JOINT, PIPE	JUNTA, TUBO	RACCORD DE TUYAU	1	-		
380	1C020-9581-0	BOLT, EYE JOINT	TORNILLO, OJO JUNTA	VIS	1	-		
385	1J551-9581-0	BOLT, EYE JOINT	TORNILLO, OJO JUNTA	VIS	1	-		
390	1C020-9673-0	GASKET	JUNTA	JOINT	2	-		
400	02751-50080	NUT, FLANGE	TUERCA, BRIDA	ECROU A EMBASE	1	-		

↔ Interchangeable; ≠ not interchangeable; ← new for old; → old for new

0212

FORK LEVER (GOVERNOR)
 BIFURCACION PALANCA (REGULADOR)
 LEVIER A FOURCHE (REGULATEUR DE VITESSES)



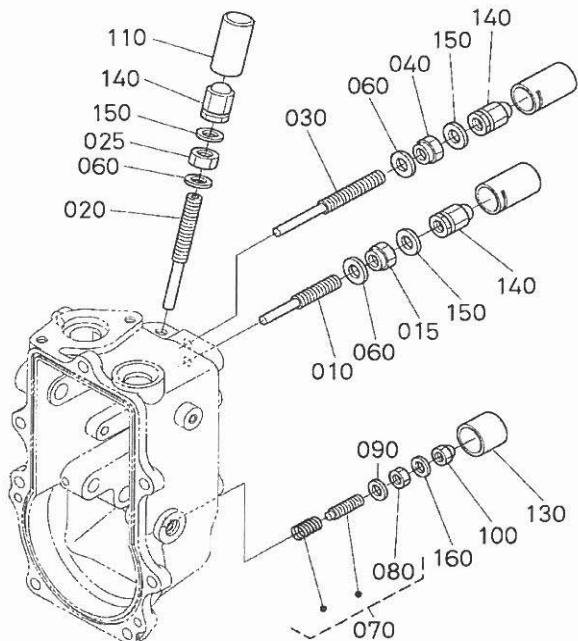
A: V3600-E3B-KEA-3

REF. No. No. DE REF. POC no	PART No. No. REF. REFERENCE	PART NAME	DESCRIPCION	DESIGNATION	QTY/S. No. CANTIDAD/No DE SERIE Q' TE/No. S.		I. C.	REMARKS NOTA REMARQUES
					A	B		
010	1J510-5603-0	ASSY LEVER, FORK	CONJ. PALANCA, BFRCCN	ENS. LEVIER A FOURCHE	1	-		
020	04013-60050	WASHER, PLAIN	ARANDELA, SIMPLE	RONDELLE FREIN	1	-		
030	04613-50040	CIR CLIP, EXTERNAL	ANILLO, EXTERNO	CIRCLIP	1	-		
040	04613-50050	CIR CLIP, EXTERNAL	ANILLO, EXTERNO	CIRCLIP	2	-		
050	04613-50030	CIR CLIP, EXTERNAL	ANILLO, EXTERNO	CIRCLIP	1	-		
060	1G517-5615-0	SHAFT, FORK LEVER	EJE, BFRCCN PLNC	ARBRE DE FOUR-LEVIER	1	-		
070	1C010-5641-3	SPRING, GOVERNOR	RESORTE, REGULADOR	RESSORT DE REGULATEU	1	-		
080	1C010-5648-0	SPRING, START	RESORTE, ARRANQUE	RESSORT DE SURCHARGE	1	-		
090	1C010-5792-0	SPRING, STOP LEVER	RESORTE, PRR PLNC	RESSORT DE LEVIER	1	-		
100	01518-50820	STUD	ESPARRAGO	GOUJON	2	-		
110	1C010-5577-0	GASKET, GOV. HOUSING	JUNTA, RGLDR CRCS	JOINT DE LOGEMENT	1	-		
120	01754-50618	BOLT, FLANGE	TORNILLO, BRIDA	VIS DE BUTEE	7	-		
130	1C010-9202-0	NUT, LOCK	TUERCA, CERRADURA	CONTRE-ECROU	1	-		
140	15108-5728-0	STOPPER	TAPON	POINTEAU D'ARRET	1	-		
150	02056-50060	NUT	TUERCA	ECROU	1	-		

↔ Interchangeable; ≠ not interchangeable; ← new for old; → old for new

0215

GOVERNOR ADJUSTING BOLT
 REGULADOR AJUSTE TORNILLO
 VIS DE REGLAGE DE VITESSE



1C055-012-33

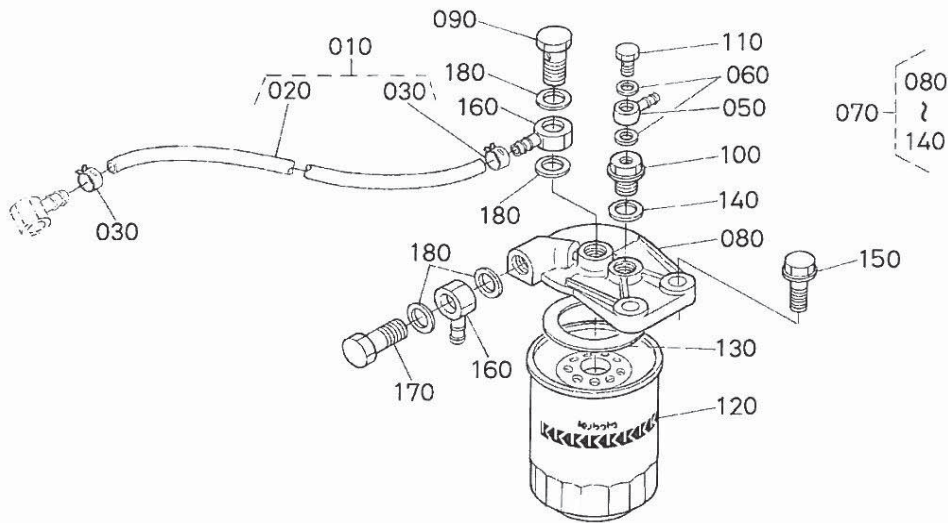
A: V3600-E3B-KEA-3

REF No. No. DE REF. POS No.	PART No. No. REF. REFERENCE	PART NAME	DESCRIPCION	DESIGNATION	Q'TY/S. No. CANTIDAD/No. DE SERIE		I. C.	REMARKS NOTA REMARQUES
					A	B		
010	1C010-5415-3	BOLT, ADJUSTING	TORNILLO, AJUSTE	VIS REGLAGE	1	-		
015	1G031-5421-0	NUT, LOCK	TUERCA, CERRADURA	CONTRE-ECROU	1	-		
020	1C010-5412-0	BOLT, ADJUSTING	TORNILLO, AJUSTE	VIS REGLAGE	1	-		
025	15841-9202-0	NUT	TUERCA	ECROU	1	-		
030	1C010-5412-0	BOLT, ADJUSTING	TORNILLO, AJUSTE	VIS REGLAGE	1	-		
040	1G031-5421-0	NUT, LOCK	TUERCA, CERRADURA	CONTRE-ECROU	1	-		
050		BLANK	POSTIZO	BLANC	-	-		
060	15601-9665-0	GASKET	JUNTA	JOINT	3	-		
070	1C010-5410-2	ASSY BOLT, ADJUSTMENT	CONJ. TORNILLO, AJST	ENS. BOULON AU POINT	1	-		
080	15261-9202-0	NUT	TUERCA	ECROU	1	-		
090	15021-3366-0	GASKET	JUNTA	JOINT	1	-		
100	15841-5422-0	NUT	TUERCA	ECROU	1	-		
110	16221-5442-0	CAP	TAPA	BOUCHON	1	-		
120		BLANK	POSTIZO	BLANC	-	-		
130	15841-5427-0	CAP	TAPA	BOUCHON	1	-		
140	15852-9233-0	NUT	TUERCA	ECROU	3	-		
150	15601-9665-0	GASKET	JUNTA	JOINT	3	-		
160	15021-3366-0	GASKET	JUNTA	JOINT	1	-		

↔ Interchangeable: ≠ not interchangeable: ← new for old: → old for new

0300

FUEL FILTER COMBUSTIBLE FILTRO FILTRE A CARBURANT



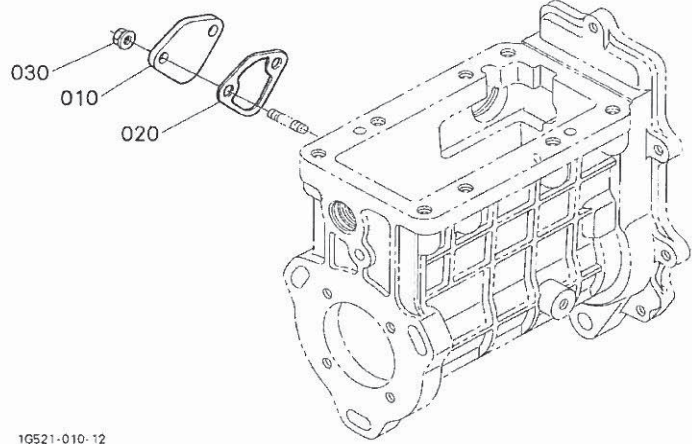
1G517-007-30

A:V3600-E3B-KEA-3

REF. No. No. DE REF. POS No	PART No. No. REF. REFERENCE	PART NAME	DESCRIPCION	DESIGNATION	QTY/S. No. CANTIDAD/No. DE SERIE		I. C.	REMARKS NOTA REMARQUES
					A	B		
010	1C010-4201-2	ASSY TUBE, FUEL	CONJ. TUBO, CMBSTBL	ENS. TUYAU CARBURANT	1	-		
020	09661-70360	TUBE, FUEL	TUBO	TUYAU	1	-		
030	14911-4275-0	CLIP, PIPE	PRESILLA, TUBO	ATTACHE	2	-		
040		BLANK	POSTIZO	BLANC	-	-		
050	14117-4256-0	JOINT, PIPE	JUNTA, TUBO	RACCORD DE TUYAU	1	-		
060	15021-3366-0	GASKET	JUNTA	JOINT	2	-		
070	1C010-4301-0	ASSY FILTER, FUEL	CONJ. FILTRO, CMBSTBL	ENS. FILTRE, COMBUST	1	-		
080	16541-4321-0	COVER	CUBIERTA	COUVERCLE	1	-		
090	16541-9579-0	BOLT, JOINT	TORNILLO DE JUNTA	VIS	1	-		
100	1J750-9580-0	CONNECTOR	CONNETTORE	CONNECTEUR	1	-		
110	1J750-9581-0	CONNECTOR	CONNETTORE	CONNECTEUR	1	-		
120	HH166-4356-0	ELEMENT, FUEL FILTER	ELEMENTO	ELEMENT DE FILTRE	1	-		
130	16541-4333-0	GASKET	JUNTA	JOINT	1	-		
140	17105-3368-0	GASKET	JUNTA	JOINT	1	-		
150	01774-51030	BOLT, FLANGE	TORNILLO, BRIDA	VIS DE BUTEE	2	-		
160	15401-9569-0	JOINT, EYE	JUNTA, OJO	RACCORD	2	-		
170	16541-9579-0	BOLT, JOINT	TORNILLO DE JUNTA	VIS	1	-		
180	17105-3368-0	GASKET	JUNTA	JOINT	4	-		

↔ Interchangeable; ≠ not interchangeable; ← new for old; → old for new

0305 COVER
CUBIERTA
COUVERCLE



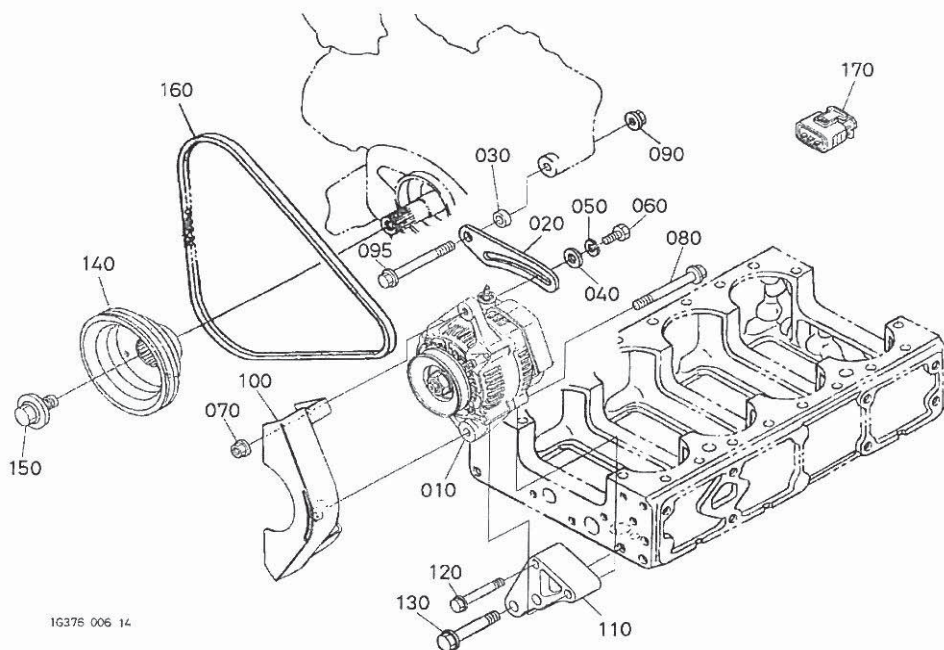
1G521-010-12

A: V3600-E3B-KEA-3

REF. No. No. DE REF. POS No.	PART No. No. REF. REFERENCE	PART NAME	DESCRIPCION	DESIGNATION	Q' TY/S. No. CANTIDAD/No DE SERIE Q' TE/No. S.		I. C.	REMARKS NOTA REMARQUES
					A	B		
010	15852-5285-0	COVER	CUBIERTA	COUVERCLE	1	-		
020	16261-5214-0	GASKET, FUEL PUMP	JUNTA, GMBSTBL BMB	JOINT DE POMP. GARB.	1	-		
030	02751-50060	NUT, FLANGE	TUERCA, BRIDA	ECROU A EMBASE	2	-		

0402

ALTERNATOR AND PULLEY
ALTERNADOR Y POLEA
ALTERNATEUR



16376 006 14

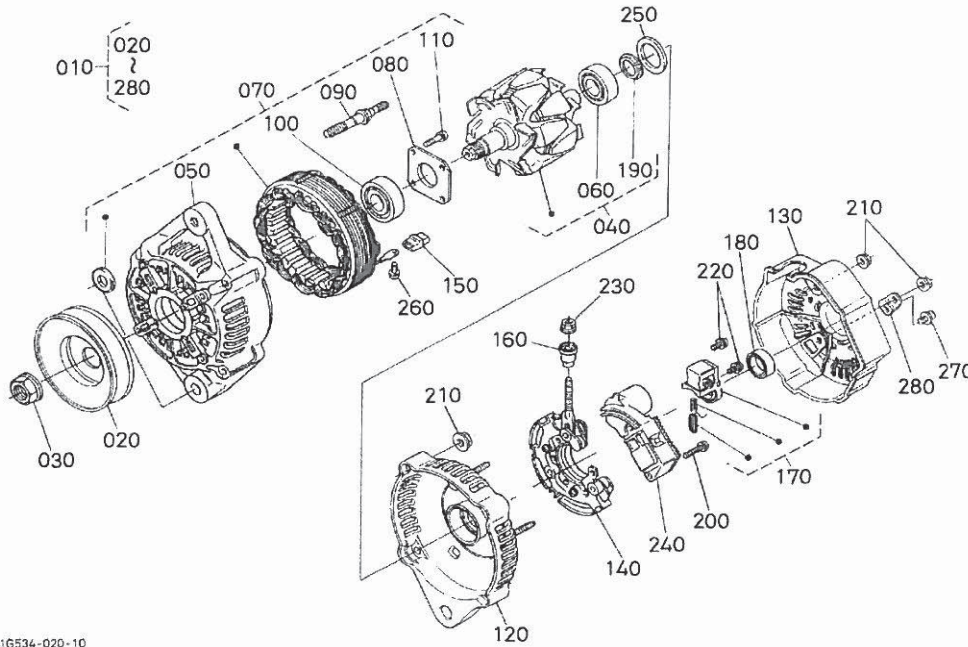
A: V3600-E3B-KEA-3

REF. No. No. DE REF. FIG. No.	PART No. No. REF. REFERENCE	PART NAME	DESCRIPCION	DESIGNATION	Q' TY/S. No. CANTIDAD/No. DE SERIE Q' TE/No. S.		I. C.	REMARKS NOTA REMARQUES
					A	B		
010	19260-6401-0	ASSY ALTERNATOR	CONJUNTO ALTERNADOR	ALTERNATEUR COMPLET	1	-		12V 90A
020	1K021-6442-0	STAY, DYNAMO	SOPORTE, DINAMO	TENDEUR	1	-		
030	15271-7443-0	COLLAR, TEN-PULLEY	COLLARIN, TNSN-PL	COLLIER	1	-		
040	04015-60080	WASHER, PLAIN	ARANDELA, SIMPLE	RONDELLE FREIN	1	-		
050	04512-60080	WASHER, SPRING	ARANDELA DE MUELLE	RONDELLE GROWER	1	-		
060	01155-50840	BOLT	TORNILLO	VIS	1	-		
070	02751-50080	NUT, FLANGE	TUERCA, BRIDA	ECROU A EMBASE	1	-		
080	01774-51002	BOLT	TORNILLO	VIS	1	-		
090	02771-60100	NUT, FLANGE	TUERCA, BRIDA	ECROU A EMBASE	1	-		
095	01774-51000	BOLT, FLANGE	TORNILLO, BRIDA	VIS DE BUTEE	1	-		
100	16631-6469-0	COVER, DYNAMO	CUBIERTA, DINAMO	COUVERCLE	1	-		
110	16539-6435-0	SUPPORT, ALTERNATOR	SOPORTE, ALTERNADOR	SUPPORT DE ALTERNATE	1	-		
120	01754-50850	BOLT, FLANGE	TORNILLO, BRIDA	VIS DE BUTEE	1	-		
130	01774-51255	BOLT, FLANGE	TORNILLO, BRIDA	VIS DE BUTEE	2	-		
140	1K011-7428-2	PULLEY, FAN DRIVE	POLEA, VNTLDR ACCNR	POULIE ENTRAIN. VENT.	1	-		
150	1J700-9101-0	BOLT	TORNILLO	VIS	1	-		
160	17112-9701-0	V BELT	V CORREA	COURROIE, V	1	-		40 01N
170	16678-6583-0	ASSY CONNECTOR	CONJUNTO CONECTOR	ENS. CONNECTEUR	1	-		

↔ Interchangeable; ≠ not interchangeable; ← new for old; → old for new

0403

ALTERNATOR (COMPONENT PARTS)
 ALTERNADOR (COMPONENTE PIEZAS)
 ALTERNATEUR (PARTIES COMPOSANTES)



16534-020-10

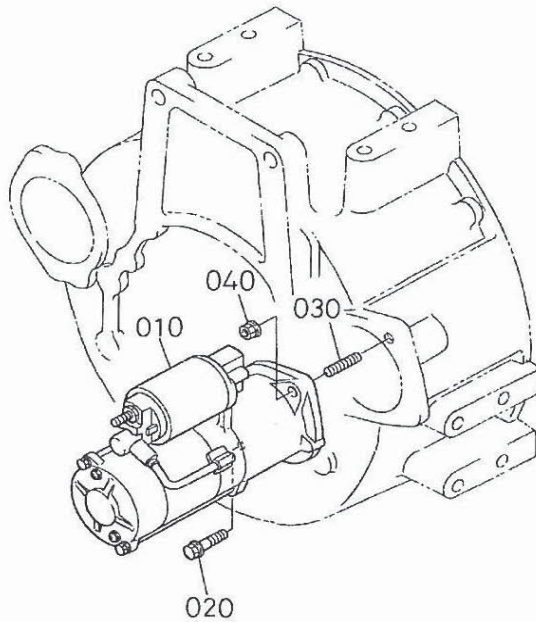
A: V3600-E3B-KEA-3

REF No. No. DE REF POS No	PART No. No. REF. REFERENCE	PART NAME	DESCRIPCION	DESIGNATION	Q' TY/S. No CANTIDAD/No. DE SERIE Q' TE/No. S.		I. C.	REMARKS NOTA REMARQUES
					A	B		
010	19260-6401-0	ASSY ALTERNATOR	CONJUNTO ALTERNADOR	ALTERNATEUR COMPLET	1	-		12V 90A
020	19260-6411-0	PULLEY, ALTERNATOR	POLEA, ALTERNADOR	POULIE ALTERNATEUR	1	-		
030	16540-9201-0	NUT	TUERCA	ECROU	1	-		
040	19260-6412-0	ASSY ROTOR	CONJUNTO ROTOR	ENS. ROTOR	1	-		
050	15881-6480-0	COVER, BEARING	CUBIERTA, RODAMIENTO	COUVERCLE	1	-		
060	35999-1766-0	BEARING, BALL	RODAMIENTO	ROULEMENT A BILLES	1	-		
070	19260-6402-0	ASSY FRAME, DRIVE END	CONJ. BASTIDOR	ENS. BATI ARRIERE	1	-		
080	16543-6471-0	PLATE, RETAINER	PLACA, RETENEDOR	PLAQUE RETENUE	1	-		
090	16540-6426-0	BOLT, THROUGH	TORNILLO, A TRAVES	VIS, PASSANT	4	-		
100	16543-6478-0	BEARING, BALL	RODAMIENTO	ROULEMENT A BILLES	1	-		
110	16543-9303-0	BOLT	TORNILLO	VIS	4	-		
120	16543-6406-0	FRAME, END	BASTIDOR, FIN	BATI	1	-		
130	19260-6423-0	COVER, REAR END	CUBIERTA, TRASERO FIN	COUVERCLE DE ARRIER.	1	-		
140	19260-6485-0	ASSY RECTIFIER	CONJ. RECTIFICADOR	REDRESSEUR	1	-		
150	16543-6490-0	BUSH, INSULATION	CASQUILLO, ASLMNT	BAGUE ISOLANTE	4	-		
160	19260-6491-0	BUSH, INSULATION	CASQUILLO, ASLMNT	BAGUE ISOLANTE	1	-		
170	16543-6431-0	HOLDER, BRUSH	SOPORTE, ESCOBILLA	PORTE-BALAI	1	-		
180	16543-6466-0	RING, SEAL	ARO, RETEN	BAGUE	1	-		
190	16543-6470-0	RING, SEAL	ARO, RETEN	BAGUE	1	-		
200	16543-9302-0	SCREW, ROUND HEAD	TORNILLO, RDND CLT	VIS A TETE RONDE	2	-		
210	15881-9202-0	NUT	TUERCA	ECROU	7	-		
220	15881-9303-0	SCREW, ROUND HEAD	TORNILLO, RDND CLT	VIS A TETE RONDE	3	-		
230	16543-9203-0	NUT	TUERCA	ECROU	1	-		
240	19279-6460-0	ASSY REGULATOR	CONJUNTO REGULADOR	REGULATEUR	1	-		
250	16543-6499-0	WASHER	ARANDELA	RONDELLE	1	-		
260	16543-9305-0	SCREW, ROUND HEAD	TORNILLO, RDND CLT	VIS A TETE RONDE	4	-		
270	16543-9306-0	SCREW, ROUND HEAD	TORNILLO, RDND CLT	VIS A TETE RONDE	1	-		
280	16543-6498-0	PLATE, TERMINAL	PLACA, TERMINAL	PLAQUE DE DEBORNE	1	-		

↔ Interchangeable: ≠ not interchangeable: ← new for old: → old for new

0404

STARTER
MOTOR DE ARRANQUE
DEMARREUR



1G521-023-10

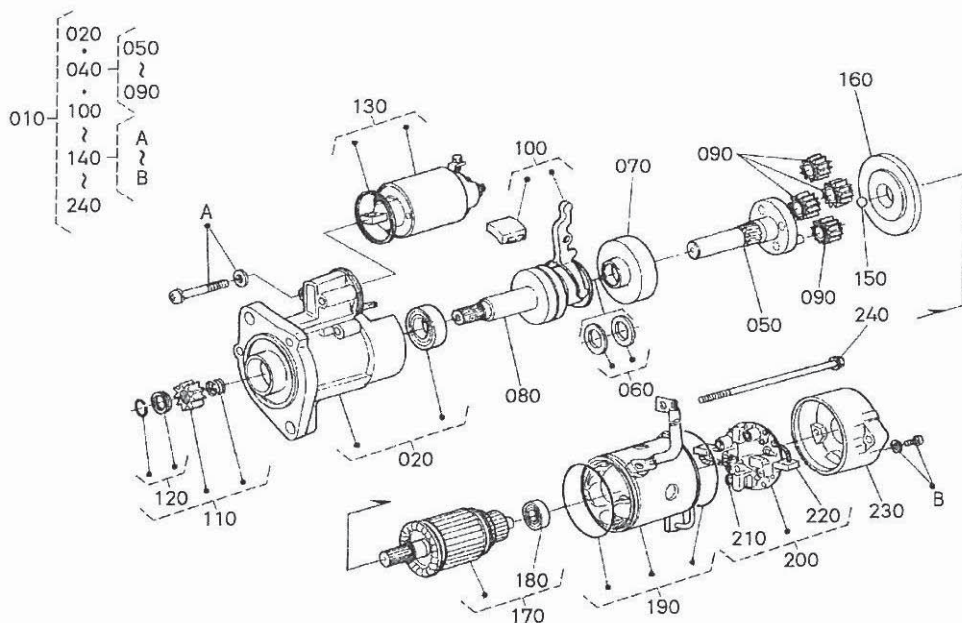
A: V3600-E3B-KEA-

REF No. No. DE REF. POS No.	PART No. No. REF. REFERENCE	PART NAME	DESCRIPCION	DESIGNATION	Q' TY./S. No. CANTIDAD/No. DE SERIE O' TE/No. S.		I. C.	REMARKS NOTA REMARQUES
					A	B		
010	1K012-6301-0	ASSY STARTER	CONJ. MOTOR ARRANQUE	ENS. DEMARREUR	1	-		12V 3 OKW
020	01774-51035	BOLT, FLANGE	TORNILLO, BRIDA	VIS DE BUTEE	1	-		
030	01517-61030	STUD	ESPARRAGO	GOIJON	1	-		
040	02771-60100	NUT, FLANGE	TUERCA, BRIDA	ECROU A EMBASE	1	-		

(↔) interchangeable; ≠ not interchangeable; ← new for old; → old for new

0405

STARTER (COMPONENT PARTS)
 MOTOR DE ARRANQUE (COMPONENTE PIEZAS)
 DEMARREUR (PARTIES COMPOSANTES)



1G973-007-13

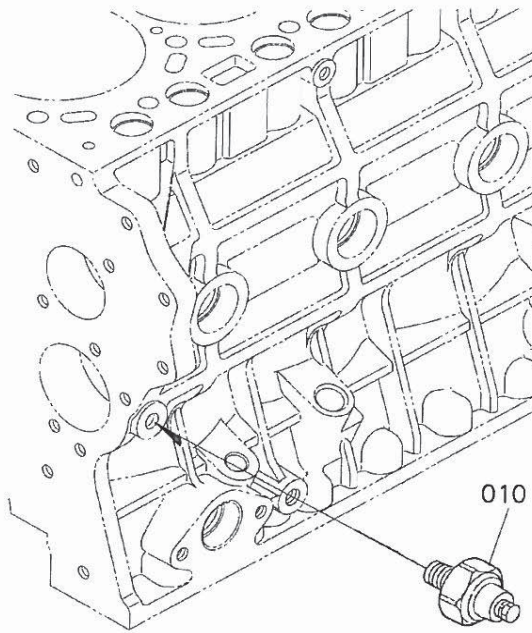
A: V3600-E3B-KEA-3

REF. No. No. DE REF. POS. No.	PART No. No. REF. REFERENCE	PART NAME	DESCRIPCION	DESIGNATION	Q' TY/S. No. CANTIDAD/No. DE SERIE Q' TE/No. S.		I. C.	REMARKS NOTA REMARQUES
					A	B		
010	1K012-6301-0	ASSY STARTER	CONJ. MOTOR ARRANQUE	ENS. DEMARREUR	1	-		12V 3 KW
020	1K012-6303-0	ASSY BRACKET, FRONT	CONJ. SOPORTE, ADLNT	ENS. SUPPORT AVANT	1	-		
030	---	BLANK	POSTIZO	BLANC	-	-		
040	1K012-6304-0	ASSY SHAFT, CLUTCH	CONJ. EJE, EMBRG	ENS. ARBRE EMBRAYAGE	1	-		
050	1K012-6321-0	ASSY SHAFT, GEAR	CONJ. EJE, ENGRNJ	ENS. ARBRE ENGRENAGE	1	-		
060	1C010-6341-0	SET, WASHER	JUEGO, ARANDELA	ENS. RONDELLE	1	-		
070	1C010-6326-0	SET, INTERNAL GEAR	JUEGO, INTRN ENGRNJ	ENS. ENGRENAGE	1	-		
080	1C010-6333-0	CLUTCH, OVER RUNNING	EMBRAGUE, ENCM RCRRND	EMBRAYAGE A INERTIE	1	-		
090	1C010-6327-0	ASSY GEAR	CONJ. ENGRANAJE	ENS. ENGRENAGE	4	-		
100	1K012-6305-0	ASSY LEVER, SET	CONJ. PALANCA, JG	ENS. LEVIER	1	-		
110	1K012-6328-0	SET PINION	JUEGO PINON	ENS. PIGNON	1	-		
120	1C010-6317-0	SET, STOPPER	JUEGO, TAPON	ENS. BOUCHON	1	-		
130	1C010-6302-0	ASSY SWITCH, MAGNETIC	CONJ. CONMUTADOR	ENS. INTERRUPTEUR	1	-		
140	1K012-6376-0	SET, SCREW	JUEGO, TORNILLO	ENS. VIS	1	-		
150	6C040-8269-0	BALL	PELOTA	BILLE	1	-		
160	1C010-6352-0	SET, PACKING	JUEGO, EMBALAJE	ENS. GARNITURE	1	-		
170	1K012-6307-0	ASSY ARMATURE	CONJUNTO INDUCIDO	ENS. ARMATURE	1	-		
180	1C010-6325-0	BEARING	RODAMIENTO	ROULEMENT	1	-		
190	1K012-6308-0	ASSY YOKE	CONJUNTO YUGO	ENS. CHAPE	1	-		
200	1K012-6338-0	ASSY HOLDER, BRUSH	SOPORTE, ASAMBLEA	ENS. SUPPORT	1	-		
210	1K012-6339-0	BRUSH, SPRING	ESCOBILLA, RESORTE	BALAI, RESSORT	4	-		
220	1K012-6337-0	BRUSH	ESCOBILLA	PATTE D' ATTACHE	2	-		
230	1K012-6320-0	ASSY BRACKET, REAR	CONJ. SOPORTE, TRSR	ENS. SUPPORT	1	-		
240	1K012-6332-0	SET, BOLT	JUEGO, TORNILLO	ENS. VIS	1	-		

(↔) Interchangeable; (≠) not interchangeable; (←) new for old; (→) old for new

0406

OIL SWITCH
 ACEITE CONMUTADOR
 CONTACT A HUILE



1G375-001-11

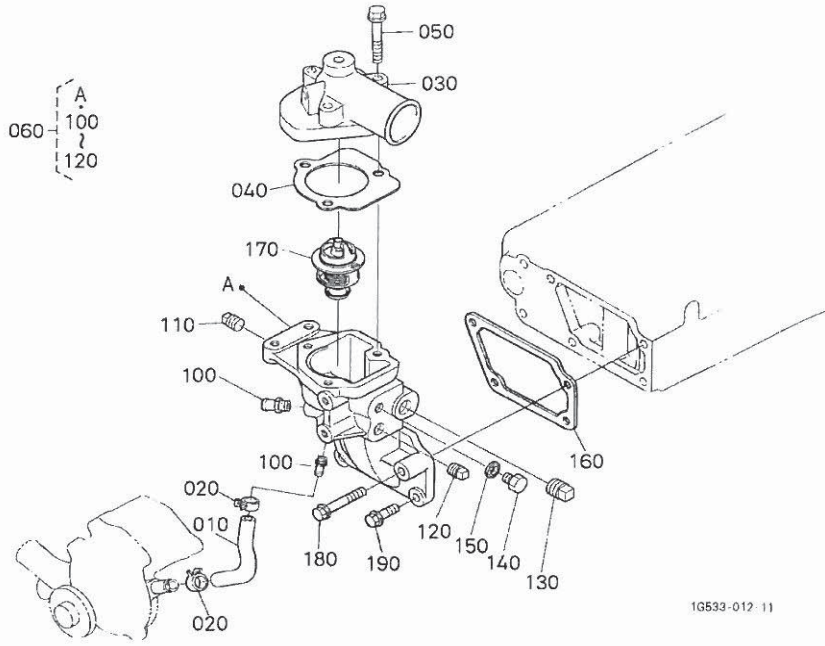
A:V3600-E3B-KEA-3

REF No. No. DE REF. POS No.	PART No. No. REF. REFERENCE	PART NAME	DESCRIPCION	DESIGNATION	Q' TY/S No. CANTIDAD/No. DE SERIE O' TE/No. S.		I. C.	REMARKS NOTA REMARQUES
					A	B		
010	15841-3901-0	SWITCH, OIL	CONMUTADOR, ACEITE	MANO-CONTACT D' HUILE	1	-		

↔ Interchangeable; ≠ not interchangeable; ← new for old; → old for new
 28

0500

WATER FLANGE AND THERMOSTAT AGUA BRIDA Y TERMOSTATO BRIDE A EAU ET THERMOSTAT



1G533-012-11

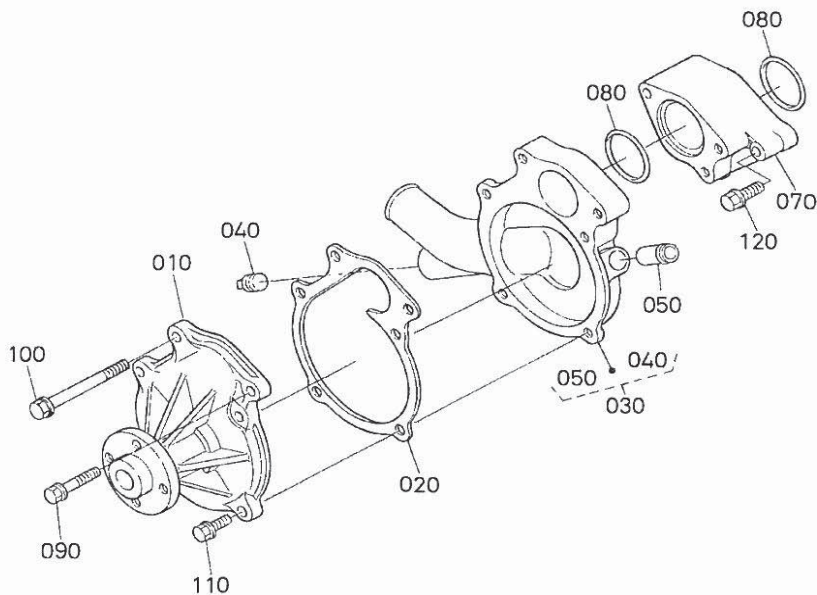
A:V3600-E3B-KEA-3

REF. No. No. DE REF. PCS No.	PART No. No. REF. REFERENCE	PART NAME	DESCRIPCION	DESIGNATION	Q' TY/S. No. CANTIDAD/No. DE SERIE		I. C.	REMARKS NOTA REMARQUES
					A	B		
010	1K011-7335-0	PIPE, WATER RETURN	TUBO, AGUA DEVOLVER	TUYAU RETOUR D'EAU	1	-		
020	09318-88200	CLAMP, HOSE	ABRAZADERA	COLLIER DE DURITE	2	-		
030	1G565-7326-0	COVER, THERMOSTAT	CUBIERTA	COUV. DE THERMOSTAT	1	-		
040	1C020-7327-2	GASKET	JUNTA	JOINT	1	-		
050	01754-50845	BOLT, FLANGE	TORNILLO, BRIDA	VIS DE BUTEE	3	-		
060	1G533-7270-3	COMP. FLANGE, WATER	COMPLETO BRIDA, AGUA	BRIDE A EAU COMPLET	1	-		
070	----	BLANK	POSTIZO	BLANC	-	-		
080	----	BLANK	POSTIZO	BLANC	-	-		
090	----	BLANK	POSTIZO	BLANC	-	-		
100	1C010-3711-4	JOINT, WATER PIPE	JUNTA, AGUA TUBO	RACCORD DE TUYAU	2	-		
110	E8015-9602-0	PLUG	TAPON	BOUCHON	1	-		
120	19071-9602-0	PLUG	TAPON	BOUCHON	1	-		
130	1G521-9601-0	PLUG	TAPON	BOUCHON	1	-		
140	15109-3363-0	PLUG, DRAIN	TAPON, VACIAR	BOUCHON DE VIDANGE	1	-		
150	15109-3366-0	GASKET	JUNTA	JOINT	1	-		
160	1C010-7282-0	GASKET, WATER FLANGE	JUNTA, AGUA BRIDA	JOINT DE BRIDE A EAU	1	-		
170	1C011-7301-0	ASSY THERMOSTAT	CONJUNTO TERMOSTATO	THERMOSTAT COMP.	1	-		
180	01754-50845	BOLT, FLANGE	TORNILLO, BRIDA	VIS DE BUTEE	1	-		
190	01754-50825	BOLT, FLANGE	TORNILLO, BRIDA	VIS DE BUTEE	3	-		

↔ Interchangeable; ≠ not interchangeable; ← new for old; → old for new

0501

WATER PUMP AGUA BOMBA POMPE A EAU



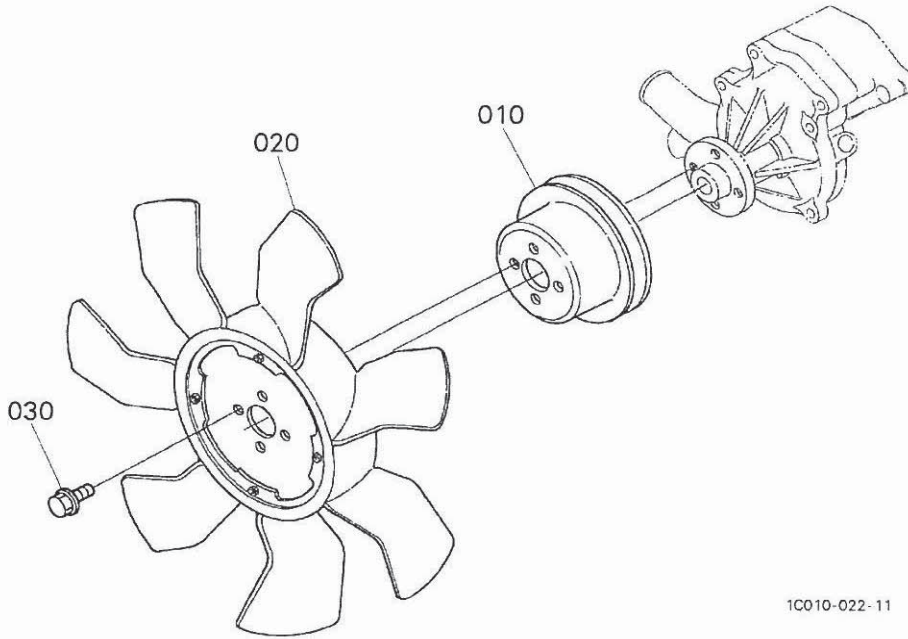
1G559-004-10

A: V3600-E3B-KEA-3

REF. No. No. DE REF. POS. No.	PART No. No. REF. REFERENCE	PART NAME	DESCRIPCION	DESIGNATION	Q'TY/S. No. CANTIDAD/No. DE SERIE Q'TE/No. S.		I. C.	REMARKS NOTA REMARQUES
					A	B		
010	1K011-7303-2	ASSY PUMP, WATER	CONJUNTO BOMBA, AGUA	ENS. POMPE A EAU	1	-		
020	1C010-7343-0	GASKET, WATER PUMP	JUNTA, AGUA BOMBA	JOINT DE POMPE A EAU	1	-		
030	1K011-7306-0	ASSY SUPPORT W/P	CONJ. SOPORTE AG/BMB	ENS. SUPPORT DE POMPE	1	-		
040	06312-10030	PLUG	TAPON	BOUCHON	1	-		
050	16241-0555-0	JOINT, BREATHER PIPE	JUNTA, RSPRDR TB	RACCORD D'ASPI-TUYAU	1	-		
060	---	BLANK	POSTIZO	BLANC	-	-		
070	1K011-7382-0	SUPPORT, WATER PUMP	SOPORTE, AGUA BOMBA	SUPPORT, POMPE A EAU	1	-		
080	1J550-7376-0	GASKET, W/P SUPPORT	JUNTA	JOINT DE POMPE A EAU	2	-		
090	01754-50880	BOLT, FLANGE	TORNILLO, BRIDA	VIS DE BUTEE	2	-		
100	01754-50804	BOLT, FLANGE	TORNILLO, BRIDA	VIS DE BUTEE	1	-		
110	01754-50830	BOLT, FLANGE	TORNILLO, BRIDA	VIS DE BUTEE	3	-		
120	01754-50840	BOLT, FLANGE	TORNILLO, BRIDA	VIS DE BUTEE	3	-		

↔ Interchangeable: ≠ not interchangeable: ← new for old: → old for new

0504 FAN VENTILADOR VENTILATEUR



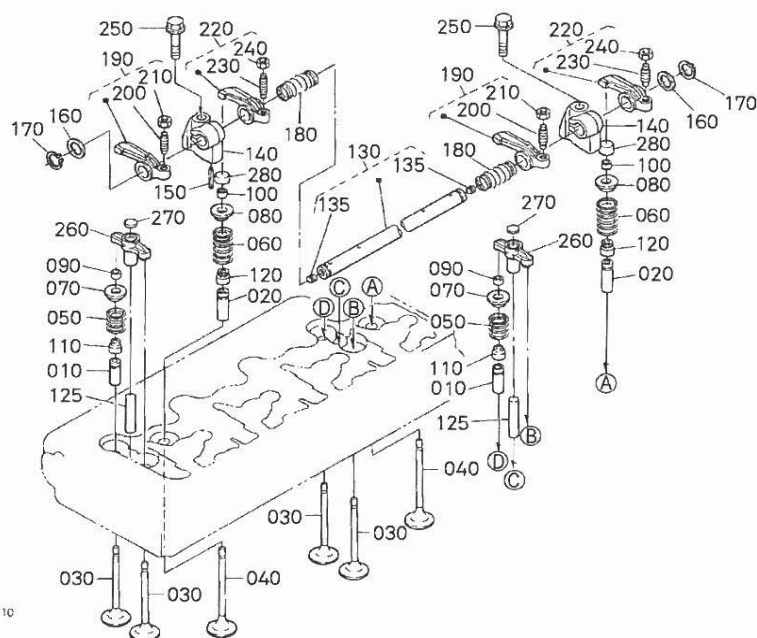
1C010-022-11

A: V3600-E3B-KEA-3

REF. No. No. DE REF. PO3 No.	PART No. No. REF. REFERENCE	PART NAME	DESCRIPCION	DESIGNATION	Q'TY/S. No. CANTIDAD/No. DE SERIE		I. C.	REMARKS NOTA REMARQUES
					A	B		
010	1G541-7425-0	PULLEY, FAN	POLEA, VENTILADOR	POULIE VENTILATEUR	1	-		
020	1C010-7411-0	FAN	VENTILADOR	VENTILATEUR	1	-		
030	01754-50814	BOLT, FLANGE	TORNILLO, BRIDA	VIS DE BUTEE	4	-		

0600

VALVE AND ROCKER ARM
VALVULA Y BALANCIN BRAZO
SOUPAPES ET CULBUTEURS



1J406 008 10

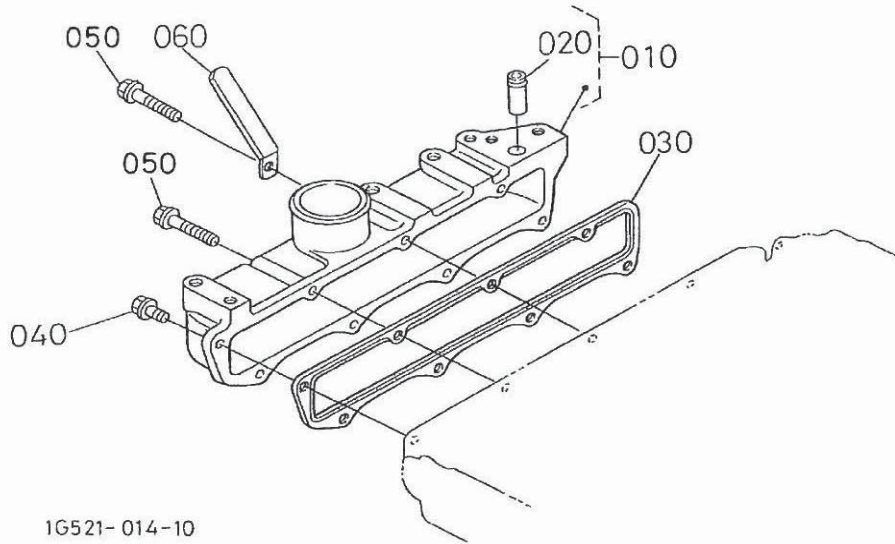
A:V3600-E3B-KEA-3

REF. No. No. DE REF. FIG. No.	PART No. No. REF. REFERENCE	PART NAME	DESCRIPCION	DESIGNATION	Q'TY/S. No. CANTIDAD/No. DE SERIE Q'TE/No. S.		I. C.	REMARKS NOTA REMARQUES
					A	B		
010	16261-1354-0	GUIDE, INLET VALVE	GUIA, ENTRADA VALVULA	GUIDE SOUP. D' ADMISS.	8	-		
020	1C010-1356-0	GUIDE, VALVE, EXHAUST	GUIA, VALVULA, ESCAPE	OEIL-GUIDE, ECHAPPEME	4	-		
030	1C010-1311-3	VALVE, INLET	VALVULA, ENTRADA	SOUPAPE D' ADMISSION	8	-		
040	1C010-1312-2	VALVE, EXHAUST	VALVULA, ESCAPE	SOUPAPE D' ECHAPMENT	4	-		
050	1C010-1324-0	SPRING, VALVE	RESORTE, VALVULA	RESSORT DE SOUPAPE	8	-		
060	15221-1324-0	SPRING, VALVE	RESORTE, VALVULA	RESSORT DE SOUPAPE	4	-		
070	16261-1333-0	RETAINER, SPRING	RETENEDOR, RESORTE	ARRETOIR DE RESSORT	8	-		
080	15221-1333-0	RETAINER, VALVE SP.	RETENEDOR, VLVL VLCCD	CUVETTE SUPERIEURE	4	-		
090	15261-1398-0	COLLET, VALVE SPRING	ENGASTE, VLVL RSRT	DEMI CLAVETTE	8	-		SET
100	15221-1398-0	COLLET, VALVE SPRING	ENGASTE, VLVL RSRT	DEMI CLAVETTE	4	-		SET
110	1C010-1315-0	SEAL, VALVE STEM	REten, VLVL VSTG	JOINT DE SOUPAPE	8	-		
120	1C010-1316-0	SEAL, VALVE STEM	REten, VLVL VSTG	JOINT DE SOUPAPE	4	-		
125	1C010-1348-2	SHAFT, VALVE	EJE, VALVULA	ARBRE DE ROBINET	4	-		
130	1C010-1405-0	ASSY SHAFT, R-ARM	CONJ. EJE	ENS. AXE DE CULBUTEUR	1	-		
135	03410-50808	SCREW, SET	TORNILLO, JUEGO	VIS D' ARRET	2	-		
140	1C010-1435-0	BRACKET, ROCKER ARM	SOPORTE, BLNCRN BRZ	SUPPORT DE CULBUTEUR	4	-		
150	05411-00528	PIN, SPRING	PASADOR, RESORTE	GOUPILLE-RESSORT	1	-		
160	1C010-1443-0	WASHER	ARANDELA	RONDELLE	2	-		
170	04612-00160	CIR CLIP, EXTERNAL	ANILLO, EXTERNO	CIRCLIP	2	-		
180	1C020-1431-0	SPRING, ROCKER ARM	RESORTE	RESSORT	3	-		
190	1C010-1402-0	ASSY ROCKER ARM, IN.	CONJ. BALANCIN	CULBUTEUR DE SOUPAPE	4	-		
200	15521-1423-0	SCREW, ADJUSTING	TORNILLO, AJUSTE	VIS DE REGLAGE	4	-		
210	15021-1424-0	NUT	TUERCA	ECROU	4	-		
220	1C010-1415-0	ASSY ROCKER ARM, EXH.	CONJ. BALANCIN	CULBUTEUR DE SOUPAPE	4	-		
230	15521-1423-0	SCREW, ADJUSTING	TORNILLO, AJUSTE	VIS DE REGLAGE	4	-		
240	15021-1424-0	NUT	TUERCA	ECROU	4	-		
250	01774-51060	BOLT, FLANGE	TORNILLO, BRIDA	VIS DE BUTEE	4	-		
260	1C020-1346-3	ARM, VALVE BRIGE	BRAZO, VALVULA PUENTE	BRAS DE ROBINET	4	-		
270	1C010-1349-0	PAD	COJIN	COUSSIN	4	-		
280	15221-1328-0	CAP, VALVE	TAPA, VALVULA	CHAPEAU DE SOUPAPE	4	-		

↔ Interchangeable; ≠ not interchangeable; ← new for old; → old for new

0601

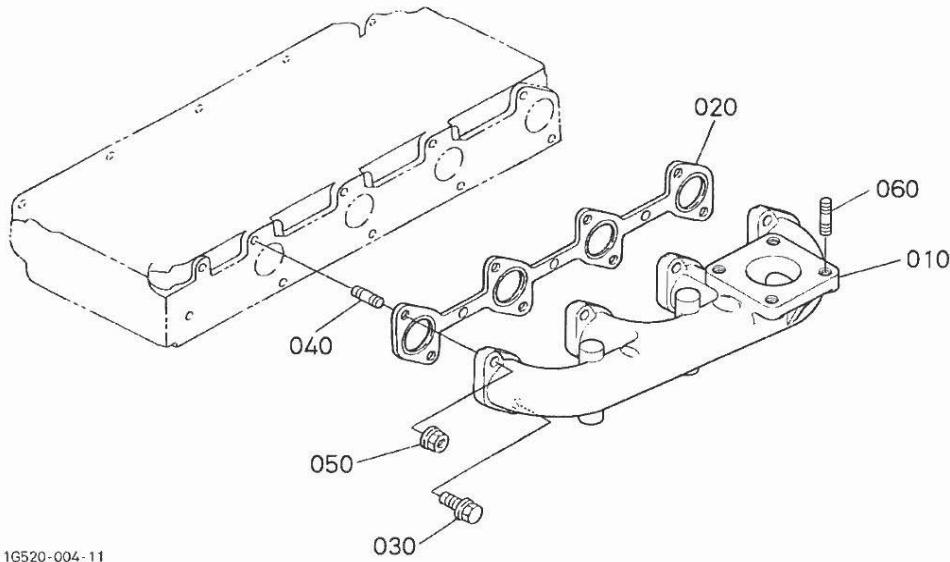
INLET MANIFOLD ENTRADA COLECTOR COLLECTEUR D'ADMISSION



1G521-014-10

A: V3600-E3B-KEA-3

REF No. No. DE REF POS No.	PART No. No. REF. REFERENCE	PART NAME	DESCRIPCION	DESIGNATION	Q' TY/S. No. CANTIDAD/No. DE SERIE Q' TE/No. S.		I. C.	REMARKS NOTA REMARQUES
					A	B		
010	1C010-1177-0	ASSY MANIFOLD, INLET	CONJ. COLECTOR. ENTRD	ENS. COLLECTEUR D' AD.	1	-		
020	16241-0555-0	JOINT, BREATHER PIPE	JUNTA. RSPDR TB	RACCORD D' ASP1-TUYAU	1	-		
030	1C010-1182-0	GASKET, IN-MANIFOLD	JUNTA. ENTRD-CLECTR	JOINT DE COLL. ADM.	1	-		
040	01754-50820	BOLT, FLANGE	TORNILLO, BRIDA	VIS DE BUTEE	5	-		
050	01754-50865	BOLT, FLANGE	TORNILLO, BRIDA	VIS DE BUTEE	3	-		
060	12234-6758-0	CLAMP, CORD	ABRAZADERA, CABLE	ATTACHE-FILS	1	-		

0602**EXHAUST MANIFOLD
ESCAPE COLECTOR
COLLECTEUR D' ECHAPPEMENT**

1G520-004-11

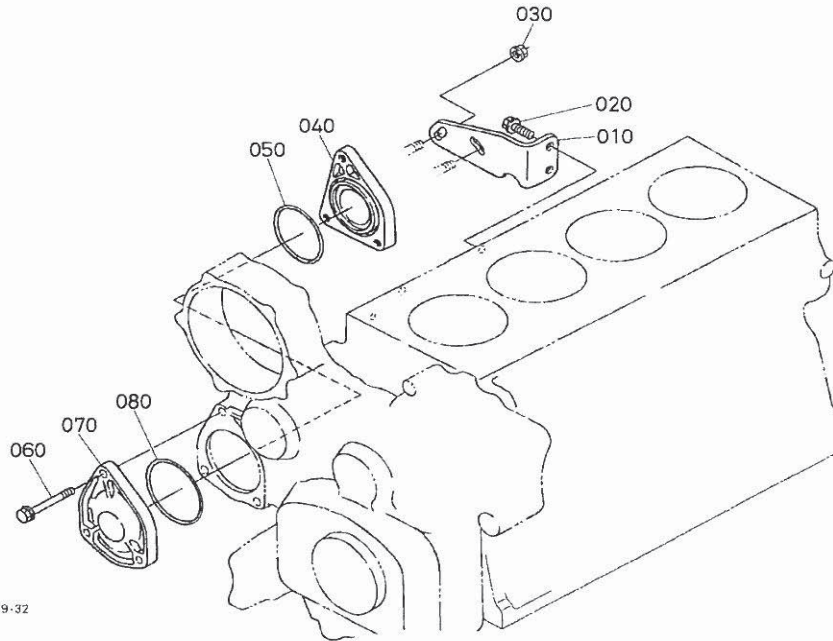
A:V3600-E3B-KEA-3

REF No. No. DE REF. POS No.	PART No. No. REF. REFERENCE	PART NAME	DESCRIPCION	DESIGNATION	Q'TY/S. No. CANTIDAD/No. DE SERIE O' TE/No. S.		I. C.	REMARKS NOTA REMARQUES
					A	B		
010	1J510-1231-0	MANIFOLD, EXHAUST	COLECTOR, ESCAPE	COLLECTEUR D' ECHAPP.	1	-		
020	1C010-1235-2	GASKET, EX-MANIFOLD	JUNTA, ESCP-GLCTR	JOINT DE COLL. ECHAP.	1	-		
030	01754-50820	BOLT, FLANGE	TORNILLO, BRIDA	VIS DE BUTEE	4	-		
040	15221-9153-0	STUD	ESPARRAGO	GOUJON	4	-		
050	02751-50080	NUT, FLANGE	TUERCA, BRIDA	ECROU A EMBASE	4	-		
060	01517-61030	STUD	ESPARRAGO	GOUJON	4	-		

↔ Interchangeable; ≠ not interchangeable; ← new for old; → old for new

0700

HYDRAULIC PUMP
HIDRAULICO BOMBA
POMPE HYDRAULIQUE



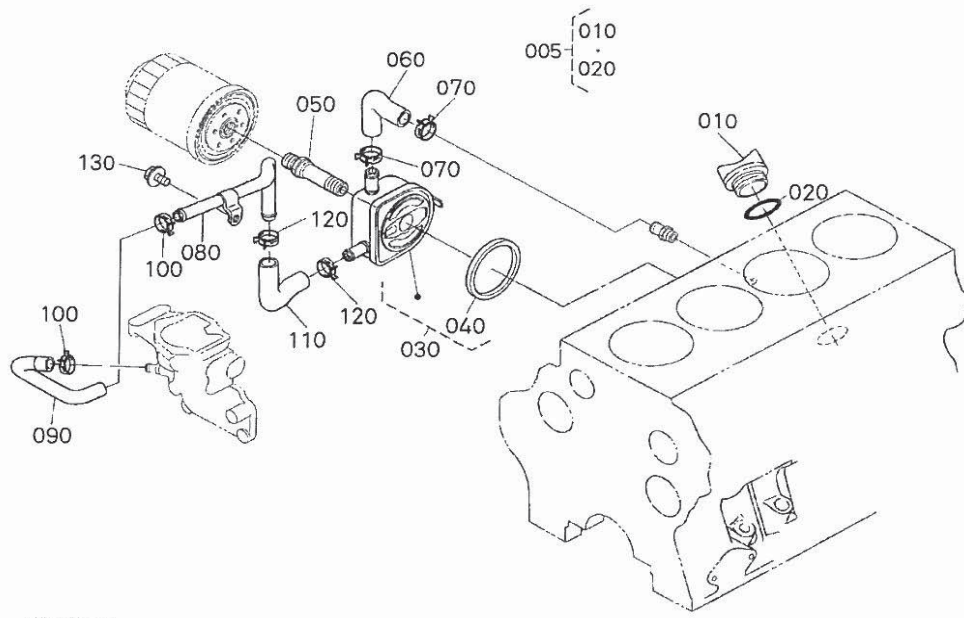
A: V3600-E3B-KEA-3

REF No. No. DE REF. PCS No.	PART No. No. REF. REFERENCE	PART NAME	DESCRIPCION	DESIGNATION	QTY/S. No. CANTIDAD/No. DE SERIE Q. TE/No. S.		I. C.	REMARKS NOTA REMARQUES
					A	B		
010	1C010-5162-0	BRACKET, PUMP	SOPORTE, BOMBA	SUPPORT DE POMPE	1	-		
020	01755-50814	BOLT, FLANGE	TORNILLO, BRIDA	VIS DE BUTEE	2	-		
030	02751-50080	NUT, FLANGE	TUERCA, BRIDA	ECROU A EMBASE	2	-		
040	1C010-8315-0	COVER, HYDRAULIC PUMP	CUBIERTA, HDRLC BMB	COUVERCLE, POMPE HYD.	1	-		
050	1C010-9696-2	O RING	O ARO	JOINT TORIQUE	1	-		
060	01754-50870	BOLT, FLANGE	TORNILLO, BRIDA	VIS DE BUTEE	3	-		
070	1C010-8335-0	COVER, HYDRAULIC PUMP	CUBIERTA, HDRLC BMB	COUVERCLE, POMPE HYD.	1	-		
080	1C010-9696-2	O RING	O ARO	JOINT TORIQUE	1	-		

↔ Interchangeable; ≠ not interchangeable; ← new for old; → old for new

0702

OIL COOLER
ACEITE REFRIGERADOR
REFROIDISSEMENT



1G533-008 14

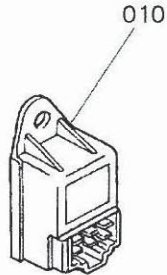
A: V3600-E3B-KEA-3

REF. No. No. DE REF. POS No.	PART No. No. REF. REFERENCE	PART NAME	DESCRIPCION	DESIGNATION	Q'TY/S. No. CANTIDAD/No DE SERIE Q'TE/No. S.		I. C.	REMARKS NOTA REMARQUES
					A	B		
005	1C010-3308-0	ASSY PLUG, O/FILLER	CONJ. TAPON, ACT/FLTR	ENS. VIS-BOUCHON	1	-		
010	E9151-3314-0	PLUG, OIL FILLER	TAPON, ACT TPPRS	BOUCHON, REMPLIS. H/L	1	-		
020	04817-50300	O RING	O ARO	JOINT TORIQUE	1	-		
030	1C010-3701-0	ASSY COOLER, OIL	CONJ. REFRIGERADOR	ENS. REFROIDISSEUR	1	-		
040	15484-3707-0	GASKET, OIL COOLER	JUNTA, ACT RFRGRDR	JOINT	1	-		
050	1J550-3229-0	JOINT, OIL COOLER	EMPALME	RACCORD	1	-		
060	1C010-3715-0	PIPE, OIL COOLER	TUBO, ACT RFRGRDR	TUYAU D'HUILE	1	-		
070	09318-88200	CLAMP, HOSE	ABRAZADERA	COLLIER DE DURITE	2	-		
080	1C010-3716-0	PIPE, OIL COLLER	TUBO, ACEITE COLLARIN	TUYAU DE RADIATEUR	1	-		
090	1K011-3717-0	PIPE, OIL COLLER	TUBO, ACEITE COLLARIN	TUYAU DE RADIATEUR	1	-		
100	09318-88200	CLAMP, HOSE	ABRAZADERA	COLLIER DE DURITE	2	-		
110	1C010-3718-2	PIPE, OIL COLLER	TUBO, ACEITE COLLARIN	TUYAU DE RADIATEUR	1	-		
120	09318-88200	CLAMP, HOSE	ABRAZADERA	COLLIER DE DURITE	2	-		
130	01754-50814	BOLT, FLANGE	TORNILLO, BRIDA	VIS DE BUTEE	1	-		

↔ Interchangeable: ≠ not interchangeable: ← new for old: → old for new

0800

GLOW LAMP AND TIMER
BUJIA DE CALENTAMIENTO LAMPARA Y TEMPORIZADOR
INDICATEUR DE PRECHAUFFAGE ET TEMPORISATEUR



19077-079-21

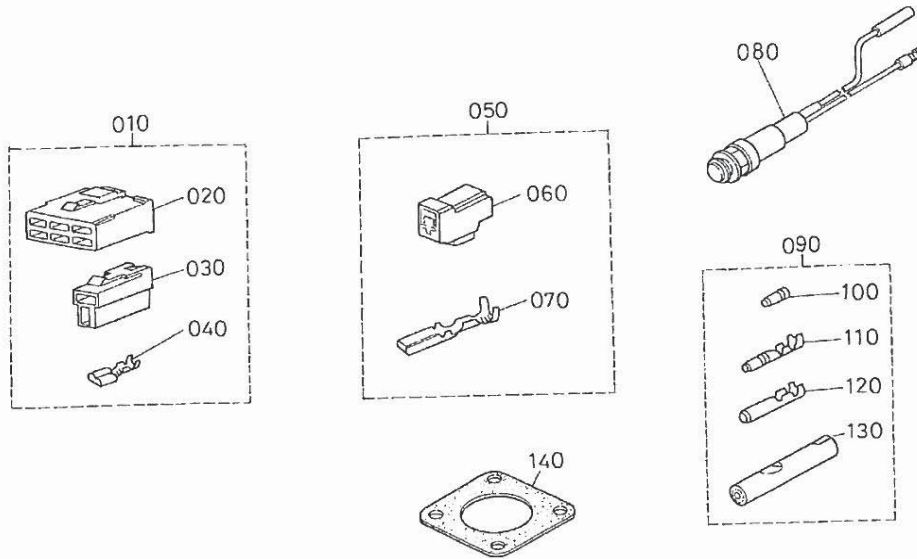
A: V3600-E3B-KEA-3

REF No. No. DE REF. PCS No.	PART No. No. REF. REFERENCE	PART NAME	DESCRIPCION	DESIGNATION	Q' TY/S. No. CANTIDAD/No. DE SERIE		I. C.	REMARKS NOTA REMARQUES
					A	B		
010	15694-6599-0	TIMER, GLOW LAMP	TEMPORIZADOR, BJ	TEMPORISATEUR	1	-		

↔ Interchangeable: ≠ not interchangeable: ← new for old: → old for new
37

0808

ACCESSORIES AND SERVICE PARTS ACCESORIOS Y SERVICIO PIEZAS ACCESSOIRES ET PIÈCES DE SERVICE



1G521-022-10

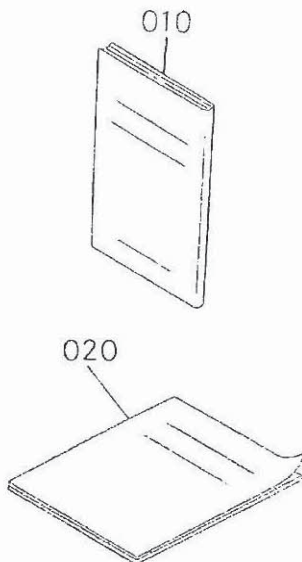
A:V3600-E3B-KEA-3

REF. No. No. DE REF. POG No	PART No. No. REF. REFERENCE	PART NAME	DESCRIPCION	DESIGNATION	Q'TY/S. No. CANTIDAD/No. DE SERIE Q'TE/No. S.		I. C.	REMARKS NOTA REMARQUES
					A	B		
010	19883-6583-0	ASSY COUPLER	CONJUNTO ACOPLADOR	ENS. COUPLEUR	1	-		
020	19872-6584-0	CONNECTOR	CONNETTORE	CONNECTEUR	1	-		
030	19872-6588-0	CONNECTOR	CONNETTORE	CONNECTEUR	1	-		
040	19237-6591-0	TERMINAL	TERMINAL	DEBORNE	7	-		
050	1C010-6583-0	ASSY COUPLER	CONJUNTO ACOPLADOR	ENS. COUPLEUR	1	-		
060	1C010-6588-0	CONNECTOR	CONNETTORE	CONNECTEUR	1	-		
070	1C010-6591-0	TERMINAL	TERMINAL	BORNE	2	-		
080	15403-6449-0	LAMP, INDICATOR	LAMPARA, INDICADOR	AMPOULE DE INDICATE.	1	-		
090	19268-6578-0	ASSY TERMINAL	CONJUNTO TERMINAL	ENS. TERMINAL	1	-		
100	68271-6591-0	TERMINAL	TERMINAL	DEBORNE	1	-		
110	68271-6592-0	SLEEVE	CASQUILLO	MANCHON	1	-		
120	19268-6593-0	TERMINAL	TERMINAL	DEBORNE	1	-		
130	19268-6587-0	SLEEVE	CASQUILLO	MANCHON	1	-		
140	19258-1223-0	GASKET, MUFFLER NA	JUNTA, SILENCIADOR NA	JOINT	1	-		

↔ Interchangeable. ≠ not interchangeable: ← new for old: → old for new

0809

LABEL AND OPERATOR'S MANUAL
 ETIQUETA Y DEL OPERADOR MANUAL
 ETIQUETTE ET MANUEL DE L'UTILISATEUR



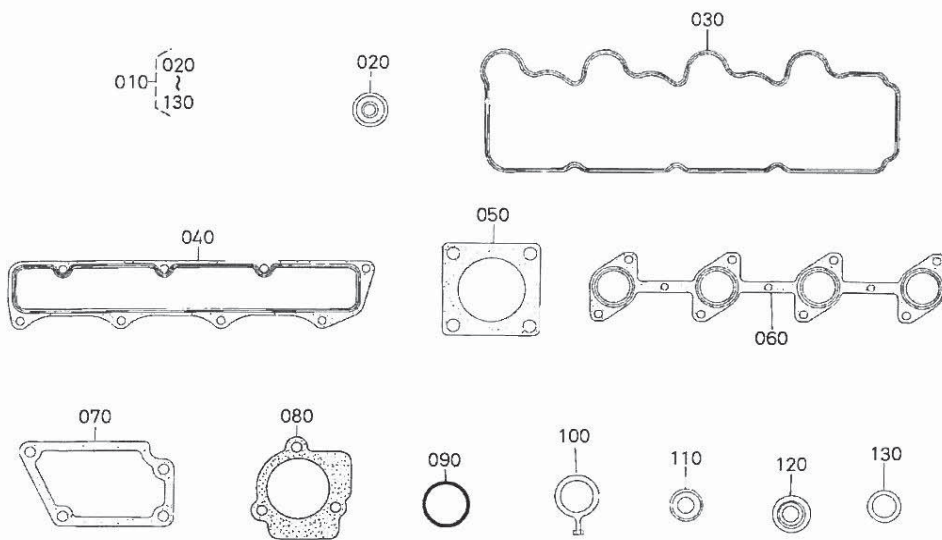
1G561-011-10

A: V3600-E3B-KEA-3

REF No. No. DE REF. POS No.	PART No. No. REF. REFERENCE	PART NAME	DESCRIPCION	DESIGNATION	QTY/S No. CANTIDAD/No. DE SERIE Q'TE/No. S.		I. C.	REMARKS NOTA REMARQUES
					A	B		
010	1J411-8911-0	OPERATOR'S MANUAL	MANUAL DEL OPERADOR	MANUEL DE L'UTILISA.	1	-		
020	1G511-8981-7	STATEMENT, WARRANTY	DECLARACION, GARANTIA	DECLARATION, GARANTIE	1	-		

(↔) Interchangeable; ≠ not interchangeable; ← new for old; → old for new

090001 UPPER GASKET KIT [OPTION]
SUPERIOR JUNTA KIT [OPCIÓN]
JEU DE JOINT SUPÉRIEUR [OPTION]

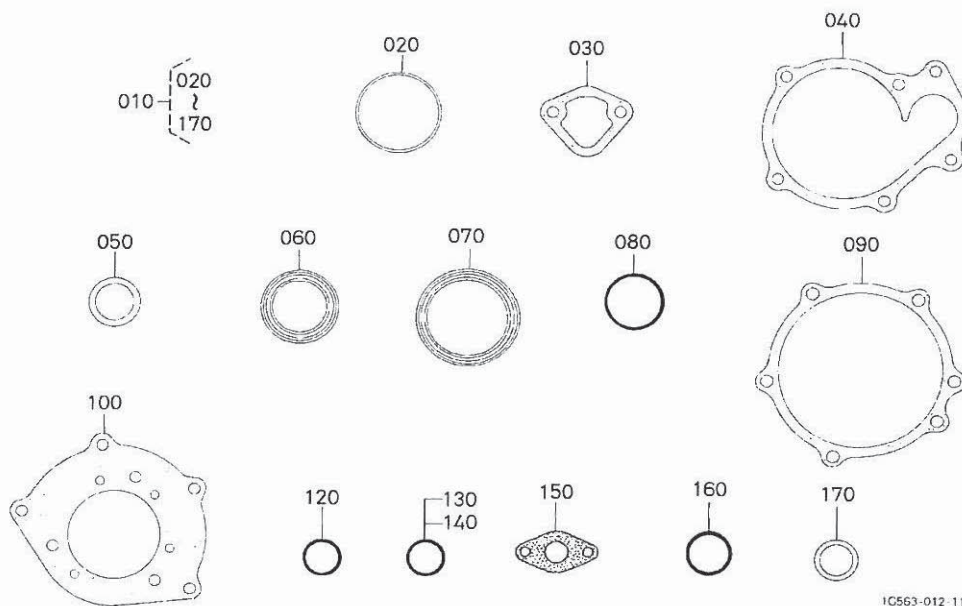


1G533-014-10

A:V3600-E3B-KEA-3

REF No No DE REF POS No	PART No. No. REF. REFERENCE	PART NAME	DESCRIPCION	DESIGNATION	QTY/S. No. CANTIDAD/No DE SERIE Q. TE/No. S.		I. C.	REMARKS NOTA REMARQUES
					A	B		
010	1G533-9935-2	KIT GASKET UPPER	KIT JUNTA SUPERIOR	JEU DE JOINTS SUPER.	1	-		
020	19077-5365-0	SEAL. HEAT	RETEN. CALOR	JOINT DE CHALEUR	4	-		
030	1C010-1452-0	GASKET, HEAD COVER	JUNTA. CLT CBRT	JOINT COUVRE-CULASSE	1	-		
040	1C010-1182-0	GASKET, IN-MANIFOLD	JUNTA. ENTRD-CLCTR	JOINT DE COLL. ADM.	1	-		
050	19258-1223-0	GASKET, MUFFLER NA	JUNTA. SILENCIADOR NA	JOINT	1	-		
060	1C010-1235-2	GASKET, EX-MANIFOLD	JUNTA. ESCP-CLCTR	JOINT DE COLL. ECHAP.	1	-		
070	1C010-7282-0	GASKET, WATER FLANGE	JUNTA. AGUA BRIDA	JOINT DE BRIDE A EAU	1	-		
080	1C020-7327-2	GASKET	JUNTA	JOINT	1	-		
090	04817-50300	O RING	O ARO	JOINT TORIQUE	1	-		
100	1G777-9665-0	GASKET	JUNTA	JOINT	1	-		
110	1C010-1315-0	SEAL, VALVE STEM	RETEN. VLVL VSTG	JOINT DE SOUPAPE	8	-		
120	1C010-1316-0	SEAL, VALVE STEM	RETEN. VLVL VSTG	JOINT DE SOUPAPE	4	-		
130	17105-3368-0	GASKET	JUNTA	JOINT	4	-		

090002 LOWER GASKET KIT [OPTION]
BAJAR JUNTA KIT [OPCION]
JEU DE JOINT INFERIEUR [OPTION]



1C563-012-11

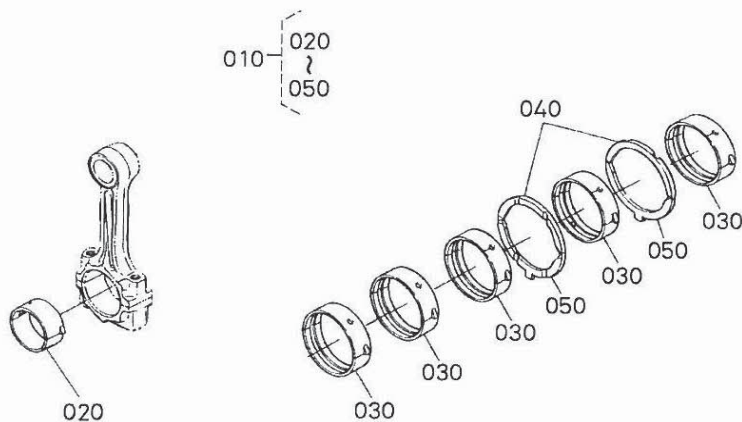
A:V3600-E3B-KEA-3

REF. No. No. DE REF. POS. No.	PART No. No. REF. REFERENCE	PART NAME	DESCRIPCION	DESIGNATION	Q'TY/S No. CANTIDAD/No DE SERIE Q'TE/No.S.		I. C.	REMARKS NOTA REMARQUES
					A	B		
010	1G533-9936-2	KIT GASKET LOWER	KIT JUNTA BAJAR	JEU DE JOINTS INFER.	1	-		
020	1C010-1622-0	GASKET, SHAFT COVER	JUNTA, EJE CUBIERTA	JOINT, ARBRE COUVERC.	1	-		
030	16261-5214-0	GASKET, FUEL PUMP	JUNTA, CMBSTBL BMB	JOINT DE POMP. CARB.	1	-		
040	1C010-7343-0	GASKET, WATER PUMP	JUNTA, AGUA BOMBA	JOINT DE POMPE A EAU	1	-		
050	15451-9667-0	GASKET	JUNTA	JOINT	2	-		
060	1C020-0414-0	SEAL, OIL	SELLO	BAGUE JOINT	1	-		
070	1C010-0446-0	SEAL, OIL	SELLO	BAGUE JOINT	1	-		
080	1C010-9696-2	O RING	O ARO	JOINT TORIQUE	2	-		
090	1C010-5166-3	GASKET, I/P COVER	JUNTA, I/P CUBIERTA	JOINT DE COUVERCLE	1	-		
100	1C010-5118-0	GASKET, I/P BASE	JUNTA, I/P BASE	JOINT DE CORPS	1	-		
110		BLANK	POSTIZO	BLANC	-	-		
120	19202-9683-0	O RING	O ARO	JOINT TORIQUE	1	-		
130	04814-00200	O RING	O ARO	JOINT TORIQUE	1	-		
140	04814-00240	O RING	O ARO	JOINT TORIQUE	1	-		
150	15521-0479-0	PACKING, COVER	EMBALAJE, CUBIERTA	JOINT	1	-		
160	04814-00420	O RING	O ARO	JOINT TORIQUE	2	-		
170	16265-9667-0	GASKET	JUNTA	JOINT	2	-		

(↔) Interchangeable; (≠) not interchangeable; (←) new for old; (→) old for new

0901

METAL KIT [OPTION]
 KIT DEL METAL [OPCION]
 JEU COUSSINET [OPTION]



1G534-032-10

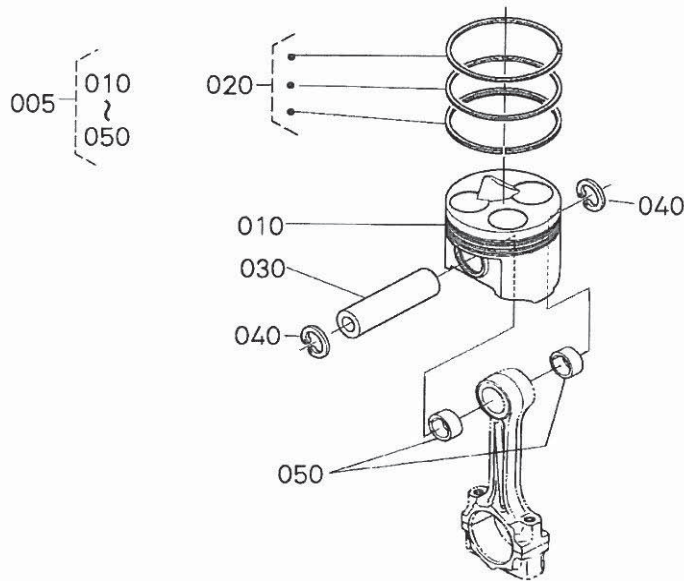
A: V3600-E3B-KEA-3

REF. No. No. DE REF. POS. No.	PART No. No. REF. REFERENCE	PART NAME	DESCRIPCION	DESIGNATION	Q' TY./S. No. CANTIDAD/No. DE SERIE Q' TE/No. S.		I. C.	REMARKS NOTA REMARQUES
					A	B		
010	1G533-2375-0	KIT METAL, ENGINE	KIT METAL, MOTOR	JEU DE COUSSINET	1	-		STD
010	1G533-2376-0	KIT METAL, ENGINE	KIT METAL, MOTOR	JEU DE COUSSINET	1	-		-0.20mm/+0.20mm
010	1G533-2377-0	KIT METAL, ENGINE	KIT METAL, MOTOR	JEU DE COUSSINET	1	-		-0.40mm/+0.40mm
020	1C020-2233-2	METAL, CRANKPIN	METAL, MUNEQUILLA	COUSSINET DE BIELLE	4	-		STD/SET
020	1C020-2296-2	METAL, CRANKPIN	METAL, MUNEQUILLA	COUSSINET DE BIELLE	4	-		-0.20mm/GREEN/SET
020	1C020-2297-2	METAL, CRANKPIN	METAL, MUNEQUILLA	COUSSINET DE BIELLE	4	-		-0.40mm/RED/SET
030	1C020-2347-0	METAL, CRANKSHAFT	METAL, CIGUENAL	COUSSINET DE VILEBR.	5	-		STD/SET
030	1C020-2391-0	METAL, CRANKSHAFT	METAL, CIGUENAL	COUSSINET DE VILEBR.	5	-		-0.20mm/SET
030	1C020-2392-0	METAL, CRANKSHAFT	METAL, CIGUENAL	COUSSINET DE VILEBR.	5	-		-0.40mm/SET
040	1C010-2353-0	METAL, SIDE	METAL, LADO	COUSSINET DE LATERAL	2	-		STD
040	1C010-2395-0	METAL, SIDE	METAL, LADO	COUSSINET DE LATERAL	2	-		+0.20mm
040	1C010-2396-0	METAL, SIDE	METAL, LADO	COUSSINET DE LATERAL	2	-		+0.40mm
050	1C010-2354-0	METAL, SIDE	METAL, LADO	COUSSINET DE LATERAL	2	-		STD
050	1C010-2397-0	METAL, SIDE	METAL, LADO	COUSSINET DE LATERAL	2	-		+0.20mm
050	1C010-2398-0	METAL, SIDE	METAL, LADO	COUSSINET DE LATERAL	2	-		+0.40mm

↔ Interchangeable; ≠ not interchangeable; ← new for old; → old for new

0903

PISTON KIT [OPTION]
 PISTON KIT [OPCION]
 JEU DE PISTONS [OPTION]



1G534-031-20

A: V3600-E3B-KEA-3

REF. No. No. DE REF. POS. No.	PART No. No. REF. REFERENCE	PART NAME	DESCRIPCION	DESIGNATION	Q'TY/S. No. CANTIDAD/No. DE SERIE Q'TE/No. S.		I. C.	REMARKS NOTA REMARQUES
					A	B		
005	1J405-2177-2	KIT PISTON	KIT PISTON	ENS. PISTON	4	-		STD
005	1J405-2179-2	KIT PISTON	KIT PISTON	ENS. PISTON	4	-		+0.50mm
010	1J510-2111-0	PISTON	PISTON	PISTON	4	-		STD
010	1J510-2191-2	PISTON	PISTON	PISTON	4	-		+0.50mm
020	1C011-2105-0	ASSY PISTON RING	CONJUNTO PISTON ARO	ENS. SEGMENT	4	-		STD
020	1C011-2109-0	ASSY PISTON RING	CONJUNTO PISTON ARO	ENS. SEGMENT	4	-		+0.50mm
030	1C010-2131-0	PIN, PISTON	PASADOR, PISTON	AXE DE PISTON	4	-		
040	04611-00300	CIR CLIP, INTERNAL	ANILLO, INTERNO	CIRCLIP	8	-		
050	1J574-2198-0	BUSH, PISTON PIN	CASQUILLO, PSTN PSDR	BAGUE DE BIELLE	8	-		

↔ interchangeable; ≠ not interchangeable; ← new for old; → old for new

**NUMERICAL INDEX
INDICE NUMERICO
INDEX NUMERIQUE**

PART No. No. REF. REFERENCE	PAGE PAGINA PAGE	REF. No. No. DE REF. POS. No.	PART No. No. REF. REFERENCE	PAGE PAGINA PAGE	REF. No. No. DE REF. POS. No.	PART No. No. REF. REFERENCE	PAGE PAGINA PAGE	REF. No. No. DE REF. POS. No.	PART No. No. REF. REFERENCE	PAGE PAGINA PAGE	REF. No. No. DE REF. POS. No.
E8015-9602-0	29	110	02771-60100	24	090	14117-4256-0	22	050	15841-3901-0	28	010
E9151-3314-0	5	130		26	040	14311-6050-4	13	060	15841-5316-0	16	060
	36	010	03016-50616	4	080	14911-4275-0	22	030	15841-5323-0	16	030
HH166-4356-0	22	120		18	240	14971-4275-0	15	040		16	110
HH160-3243-0	6	010	03024-50520	15	230		15	070	15841-5335-0	16	050
01123-60816	11	120	03054-50408	5	060		15	100	15841-5362-2	15	150
01155-50840	24	060	03054-50508	5	110	15021-1424-0	32	210		17	120
01311-10616	12	020	03410-50808	32	135		32	240	15841-5385-0	15	210
01517-61030	26	030	04013-60050	20	020	15021-3366-0	1	170	15841-5386-0	15	220
	34	060	04015-60080	24	040		18	255	15841-5422-0	21	100
01518-50820	20	100	04512-60080	24	050	15021-3366-0	21	090	15841-5427-0	21	130
01754-50614	18	080	04611-00300	10	040		21	160	15841-9202-0	21	025
01754-50618	20	120		43	040		22	060	15841-9203-0	16	020
01754-50804	30	100	04612-00160	32	170	15108-5728-0	20	140	15841-9404-0	16	080
01754-50814	2	080	04612-00200	18	210	15109-3363-0	29	140	15841-9602-0	3	110
	3	020	04612-00300	19	320	15109-3366-0	29	150	15841-9810-0	16	100
	9	080	04613-50030	20	050	15221-0337-0	3	070	15841-9851-0	16	110
	18	050	04613-50040	20	030	15221-0338-0	1	060	15841-9852-0	16	110
	18	250	04613-50050	20	040		1	065	15841-9853-0	16	110
	31	030	04613-50120	14	090		1	140	15841-9854-0	16	110
01754-50814	36	130	04724-00170	1	200	15221-0339-0	1	070	15841-9855-0	16	110
01754-50820	4	120	04814-00200	4	140	15221-0349-0	3	080	15841-9856-0	16	110
	33	040		41	130	15221-1324-0	32	060	15841-9857-0	16	110
	34	030	04814-00220	2	070	15221-1328-0	32	280	15841-9858-0	16	110
01754-50825	13	030	04814-00240	4	150	15221-1333-0	32	080	15841-9859-0	16	110
	18	060		41	140	15221-1398-0	32	100	15841-9860-0	16	110
	29	190	04814-00420	41	160	15221-1443-0	14	100	15841-9861-0	16	110
01754-50830	8	030	04814-10070	14	070	15221-3361-0	1	160	15841-9862-0	16	110
	30	110		14	150	15221-3365-0	1	110	15841-9863-0	16	110
01754-50840	30	120	04817-50300	5	140	15221-5628-0	14	190	15841-9864-0	16	110
01754-50845	29	050	04817-50300	36	020	15221-9153-0	3	030	15841-9865-0	16	110
	29	180		40	090		34	040	15841-9866-0	16	110
01754-50850	24	120	05012-00512	18	170	15261-0337-0	1	050	15841-9867-0	16	110
01754-50855	9	120	05012-00609	18	150		1	150	15841-9868-0	16	110
01754-50865	33	050	05012-00614	18	040	15261-1398-0	32	090	15841-9869-0	17	110
01754-50870	35	060	05012-00820	1	090	15261-9202-0	21	080	15841-9870-0	17	110
01754-50875	18	070	05012-01016	1	100	15271-7443-0	24	030	15841-9871-0	17	110
01754-50880	30	090	05411-00416	14	130	15401-9569-0	13	050	15841-9872-0	17	110
01755-50814	35	020		14	180		22	160	15841-9873-0	17	110
01774-51000	24	095	05411-00528	32	150	15401-9665-0	13	080	15841-9874-0	17	110
01774-51002	24	080	05712-00515	10	140	15403-6449-0	38	080	15841-9875-0	17	110
01774-51004	2	050	05712-00520	9	060	15451-9667-0	41	050	15841-9876-0	17	110
01774-51018	11	090	06311-55030	1	190	15471-0174-0	3	010	15841-9877-0	17	110
01774-51030	1	220	06311-85016	5	120	15471-2516-2	11	030	15841-9878-0	17	110
	22	150	06312-10030	30	040	15471-5792-0	14	160	15841-9879-0	17	110
01774-51035	26	020	07715-01605	9	040	15471-9153-0	18	140	15841-9880-0	17	110
01774-51060	32	250	07715-03209	3	090	15484-3707-0	36	040	15841-9881-0	17	110
01774-51255	24	130	08101-06203	18	200	15521-0468-0	11	100	15841-9882-0	17	110
01779-51445	11	050	09318-88200	29	020	15521-0479-0	11	110	15841-9883-0	17	110
02056-50060	20	150		36	070		41	150	15841-9884-0	17	110
02751-50060	23	030	09318-88200	36	100	15521-1423-0	32	200	15841-9885-0	17	110
02751-50080	3	040		36	120		32	230	15841-9886-0	17	110
	13	040	09661-40070	15	090	15521-9602-0	1	020	15841-9887-0	17	110
	19	350	09661-40170	15	030		3	100	15841-9888-0	17	110
	19	400		15	060	15601-1555-0	9	010	15841-9889-0	17	110
	24	070	09661-70360	22	020	15601-9665-0	21	060	15841-9890-0	17	110
	34	050	12234-6758-0	3	050		21	150	15841-9891-0	17	110
	35	030		33	060	15694-6599-0	37	010	15841-9892-0	17	110
02761-50040	15	260	12331-9523-0	18	220	15707-3336-0	14	230	15852-5285-0	23	010
02771-50120	14	030	13901-9102-0	18	280	15707-3375-0	2	020	15852-9233-0	21	140

NUMERICAL INDEX
INDICE NUMERICO
INDEX NUMERIQUE

PART No. No REF REFERENCE	PAGE PAGINA PAGE	REF. No. No. DE REF. POS. No.	PART No. No REF REFERENCE	PAGE PAGINA PAGE	REF. No. No. DE REF. POS. No.	PART No. No. REF. REFERENCE	PAGE PAGINA PAGE	REF. No. No. DE REF. POS. No.	PART No. No. REF. REFERENCE	PAGE PAGINA PAGE	REF. No. No. DE REF. POS. No.
15881-6480-0	25	050	19260-6411-0	25	020	1C010-2354-0	10	180	1C010-5317-0	16	040
15881-9202-0	25	210	19260-6412-0	25	040		42	050	1C010-5361-0	16	090
15881-9303-0	25	220	19260-6423-0	25	130	1C010-2395-0	10	170	1C010-5371-0	15	170
16221-5442-0	21	110	19260-6485-0	25	140		42	040	1C010-5372-0	15	180
16241-0555-0	5	070	19260-6491-0	25	160	1C010-2396-0	10	170	1C010-5373-0	15	190
	30	050	19268-6578-0	38	090		42	040	1C010-5374-0	15	200
	33	020	19268-6587-0	38	130	1C010-2397-0	10	180	1C010-5390-0	15	130
16241-3351-0	5	170	19268-6593-0	38	120		42	050		16	005
16245-9154-0	18	130	19279-6460-0	25	240	1C010-2398-0	10	180	1C010-5410-2	21	070
16261-1333-0	32	070	19872-6584-0	38	020		42	050	1C010-5412-0	21	020
16261-1354-0	32	010	19872-6588-0	38	030	1C010-2401-2	9	130	1C010-5412-0	21	030
16261-5214-0	23	020	19883-6583-0	38	010	1C010-2402-2	9	150	1C010-5415-3	21	010
	41	030	1C010-0112-6	1	210	1C010-2411-2	10	130	1C010-5514-0	18	160
16264-8334-2	4	200	1C010-0150-3	2	010	1C010-2425-0	9	090	1C010-5577-0	20	110
16265-9667-0	2	030	1C010-0345-0	3	120	1C010-2436-0	9	100	1C010-5602-3	14	060
	4	040	1C010-0416-2	4	170	1C010-2437-0	9	110	1C010-5641-3	20	070
	41	170	1C010-0430-0	8	010	1C010-2452-0	9	095	1C010-5648-0	20	080
16286-3375-0	4	095	1C010-0445-0	11	080	1C010-2498-2	9	140	1C010-5675-0	14	010
16415-6551-2	15	240	1C010-0446-0	8	020		9	160	1C010-5751-2	14	110
16475-5328-0	16	070		41	070	1C010-3211-0	2	060	1C010-5762-0	14	170
16540-6426-0	25	090	1C010-0456-0	1	130	1C010-3288-0	4	100	1C010-5770-0	14	140
16540-9201-0	25	030	1C010-0512-0	5	100	1C010-3308-0	5	125	1C010-5792-0	20	090
16541-4321-0	22	080	1C010-0520-0	5	090		36	005	1C010-6001-5	12	010
16541-4333-0	22	130	1C010-0551-0	5	160	1C010-3332-0	14	240	1C010-6015-3	14	080
16541-9579-0	22	090	1C010-1177-0	33	010	1C010-3364-0	1	120	1C010-6302-0	27	130
	22	170	1C010-1182-0	33	030	1C010-3365-0	1	230	1C010-6317-0	27	120
16543-6406-0	25	120		40	040	1C010-3507-0	4	060	1C010-6325-0	27	180
16543-6431-0	25	170	1C010-1235-2	34	020	1C010-3513-0	4	070	1C010-6326-0	27	070
16543-6466-0	25	180		40	060	1C010-3563-0	10	150	1C010-6327-0	27	090
16543-6470-0	25	190	1C010-1311-3	32	030	1C010-3641-2	7	020	1C010-6333-0	27	080
16543-6471-0	25	080	1C010-1312-2	32	040	1C010-3642-2	7	010	1C010-6341-0	27	060
16543-6478-0	25	100	1C010-1315-0	32	110	1C010-3692-2	4	030	1C010-6352-0	27	160
16543-6490-0	25	150		40	110	1C010-3695-0	4	020	1C010-6556-0	15	250
16543-6498-0	25	280	1C010-1316-0	32	120	1C010-3696-0	4	050	1C010-6583-0	38	050
16543-6499-0	25	250		40	120	1C010-3701-0	36	030	1C010-6588-0	38	060
16543-9203-0	25	230	1C010-1324-0	32	050	1C010-3711-4	1	180	1C010-6591-0	38	070
16543-9302-0	25	200	1C010-1348-2	32	125		29	100	1C010-7282-0	29	160
16543-9303-0	25	110	1C010-1349-0	32	270	1C010-3715-0	36	060		40	070
16543-9305-0	25	260	1C010-1356-0	32	020	1C010-3716-0	36	080	1C010-7343-0	30	020
16543-9306-0	25	270	1C010-1402-0	32	190	1C010-3718-2	36	110		41	040
16631-6469-0	24	100	1C010-1405-0	32	130	1C010-4201-2	22	010	1C010-7411-0	31	020
16678-6583-0	24	170	1C010-1415-0	32	220	1C010-4204-0	15	080	1C010-8315-0	35	040
16683-9602-0	1	040	1C010-1435-0	32	140	1C010-4240-0	15	020	1C010-8335-0	35	070
17105-3368-0	22	140	1C010-1443-0	32	160		15	050	1C010-9102-0	5	150
	22	180	1C010-1450-6	5	010	1C010-4246-0	15	110	1C010-9103-0	4	180
	40	130	1C010-1452-0	5	080	1C010-4250-0	15	010	1C010-9104-0	4	190
17112-9701-0	24	160		40	030	1C010-4301-0	22	070	1C010-9110-0	2	040
17371-9580-0	14	250	1C010-1511-0	9	020	1C010-5080-0	18	120	1C010-9202-0	20	130
19071-9602-0	29	120	1C010-1617-5	18	180	1C010-5101-0	13	010	1C010-9451-0	14	210
19077-5365-0	15	160	1C010-1621-0	18	260	1C010-5117-4	18	010	1C010-9601-0	1	030
19077-5365-0	17	130	1C010-1622-0	18	270	1C010-5118-0	18	030	1C010-9602-0	4	090
	40	020		41	020		41	100	1C010-9616-0	1	080
19202-9683-0	4	110	1C010-1627-0	9	070	1C010-5132-0	13	070	1C010-9696-2	35	050
	41	120	1C010-1651-2	9	050	1C010-5162-0	35	010		35	080
19237-6591-0	38	040	1C010-2131-0	10	030	1C010-5166-3	18	100		41	080
19258-1223-0	38	140		43	030		41	090	1C011-2105-0	10	020
	40	050	1C010-2214-2	10	070	1C010-5211-0	13	020		43	020
19260-6401-0	24	010	1C010-2330-0	10	120	1C010-5213-0	19	290	1C011-2109-0	10	020
	25	010	1C010-2353-0	10	170	1C010-5300-0	15	140		43	020
19260-6402-0	25	070		42	040		16	010	1C011-5510-4	14	050

NUMERICAL INDEX
INDICE NUMERICO
INDEX NUMERIQUE

PART No. No. REF. REFERENCE	PAGE PAGINA PAGE	REF. No. No. DE REF. POS. No.	PART No. No. REF. REFERENCE	PAGE PAGINA PAGE	REF. No. No. DE REF. POS. No.	PART No. No. REF. REFERENCE	PAGE PAGINA PAGE	REF. No. No. DE REF. POS. No.	PART No. No. REF. REFERENCE	PAGE PAGINA PAGE	REF. No. No. DE REF. POS. No.
1C011-7301-0	29	170	1J405-2177-2	43	005						
1C020-0331-0	3	130	1J405-2179-2	43	005						
1C020-0360-0	3	130	1J405-5010-0	18	110						
1C020-0361-0	3	130	1J411-8911-0	39	010						
1C020-0401-0	4	010	1J510-0101-0	1	010						
1C020-0414-0	4	130	1J510-0302-0	3	060						
	41	060	1J510-0537-0	5	030						
1C020-1346-3	32	260	1J510-1231-0	34	010						
1C020-1431-0	32	180	1J510-1601-0	9	030						
1C020-1632-2	18	230	1J510-2111-0	10	010						
			1J510-2111-0	43	010						
1C020-2231-2	10	080	1J510-2191-2	10	010						
1C020-2233-2	10	080		43	010						
	42	020	1J510-5110-6	19	300						
1C020-2296-2	10	080	1J510-5603-0	20	010						
	42	020	1J550-3229-0	36	050						
1C020-2297-2	10	080	1J550-5258-0	19	330						
	42	020	1J550-5259-0	19	340						
1C020-2347-0	10	160	1J550-7376-0	30	080						
	42	030	1J551-9581-0	19	385						
1C020-2391-0	10	160									
			1J574-2198-0	10	060						
1C020-2391-0	42	030		43	050						
1C020-2392-0	10	160	1J574-2201-0	10	050						
	42	030	1J700-9101-0	24	150						
1C020-2634-0	11	130	1J750-9580-0	22	100						
1C020-5505-0	14	020	1J750-9581-0	22	110						
1C020-5545-3	14	040	1K011-3717-0	36	090						
1C020-7327-2	29	040	1K011-7303-2	30	010						
	40	080	1K011-7306-0	30	030						
1C020-9149-0	18	020	1K011-7335-0	29	010						
1C020-9581-0	19	380									
			1K011-7382-0	30	070						
1C020-9673-0	19	390	1K011-7428-2	24	140						
1G031-5421-0	21	015	1K012-5715-0	14	120						
	21	040	1K012-6301-0	26	010						
1G065-4236-0	15	120		27	010						
1G511-8981-7	39	020	1K012-6303-0	27	020						
1G513-3655-0	7	030	1K012-6304-0	27	040						
1G517-5615-0	20	060	1K012-6305-0	27	100						
1G520-2301-0	10	100	1K012-6307-0	27	170						
1G521-0461-0	11	040	1K012-6308-0	27	190						
1G521-2501-0	11	010									
			1K012-6320-0	27	230						
1G521-9103-0	11	070	1K012-6321-0	27	050						
1G521-9601-0	29	130	1K012-6328-0	27	110						
1G527-1657-0	18	190	1K012-6332-0	27	240						
1G533-2375-0	42	010	1K012-6337-0	27	220						
1G533-2376-0	42	010	1K012-6338-0	27	200						
1G533-2377-0	42	010	1K012-6339-0	27	210						
1G533-7270-3	29	060	1K012-6376-0	27	140						
1G533-9935-2	40	010	1K021-6442-0	24	020						
1G533-9936-2	41	010	33740-2729-2	19	310						
1G539-6435-0	24	110									
			35999-1766-0	25	060						
1G541-7425-0	31	010	68271-6591-0	38	100						
1G565-7326-0	29	030	68271-6592-0	38	110						
1G574-5165-2	18	090	6C040-8269-0	27	150						
1G596-3328-0	19	370									
1G596-3331-4	19	360									
1G596-9101-0	18	085									
1G772-6382-0	11	020									
1G772-9103-2	11	060									
1G777-9665-0	14	260									
	40	100									

KUBOTA

THE BASIC NECESSITIES GIANT

"Technology for the Needs of Tomorrow" is the ambition of everyone at Kubota. Through research and the development of new products for agriculture, industry, construction, and many other areas of modern life, we at Kubota hope to realize this goal.

EI GIGANTE DE LAS NECESIDADES BÁSICAS

La "tecnología para las necesidades del mañana" es la ambición de todos los que trabajamos en Kubota. A través de la investigación y el desarrollo de nuevos productos para la agricultura, industria, construcción y muchos otros ámbitos de la vida moderna, en Kubota esperamos cumplir este objetivo.

GEANT DES NECESSITES FONDAMENTALES

"La Technologie pour les Besoins de Demain" est l'ambition de chacun CHEZ KUBOTA. A travers la recherche et le développement de nouveaux produits pour l'Agriculture, l'Industrie, la Construction et plusieurs autres domaines de la vie moderne, Nous KUBOTA, espérons atteindre ce but.

PRINTED In JAPAN
IMPRESO EN JAPÓN
IMPRIME Au JAPON