

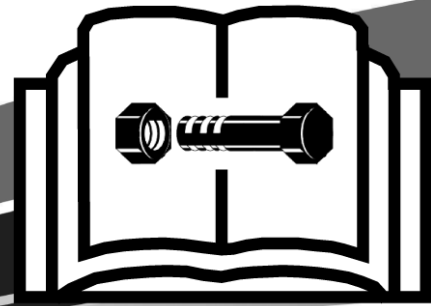
# **HOLE HAMMER<sup>®</sup>**

2" (55mm), 2 1/2" (65mm), 2 1/2" Short (65mm), 3" (76mm), 4" (100mm), 5 1/4" (135mm)

---

---

## ***Positive-Turn Reverse Parts Manual***



P1.03

VPT200 Serial No. 110001-  
VPT250 Serial No. 210001-  
VPT250 Short Serial No. 210001-  
VPT300 Serial No. 310001-  
VPT400 Serial No. 410001-  
VPT500 Serial No. 510001-  
Order No. 105400ZYU

***McLAUGHLIN<sup>®</sup>***

## HOW TO USE THE MANUAL

This manual contains illustrations and parts lists of components and assemblies which make up the machine. Each page consists of the name of the assembly or component, a figure number, reference numbers, part numbers, part names, and the quantities of the parts used.

Assembly or component name helps identify the illustration and parts list for each figure. This name also helps locate the general area of the machine where the assembly or component can be located.

Figure numbers are used to identify each assembly or component and to group these assemblies or components into major categories.

Reference numbers shown in a column refer to the numbered parts in the illustration. This ties the part in the illustration to the part number and description in the parts list.

An asterisk indicates information about the item has changed since the previous release of the parts manual. A note in the Remarks column often explains the change.

Part numbers are used to identify individual parts or part assemblies.

Part descriptions provide the name of the part, plus additional information such as dimensional specifications and what parts are grouped together to form part assemblies, which helps you identify the part(s).

Quantities listed for each figure are only for that assembly or component and not the total used per machine.

This parts manual is not intended to be a complete guide for machine service or repairs. Contact your Vermeer dealer for any of your service or technical requirements.

## ORDERING PARTS

Parts for repair or replacement are available through our network of authorized dealers located throughout the world.

Use only authorized McLaughlin parts for repair or replacement. Always give the serial number and

model number of the machine for which parts are being ordered. When ordering parts for component(s), which are not manufactured by McLaughlin Group, Inc., also give the serial number of that component(s). Order all parts by part number, part name, and quantity needed.

## UPDATING AND REORDERING MANUALS

The parts lists, illustrations, and specifications in this manual are based on the latest information available at time of publication. Your machine may have product improvements and options not yet contained in this manual.

McLaughlin, Group Inc. reserves the right to make changes at any time without notice or obligation to you.

Your dealer will receive notice of these changes and can assist you with accurate parts identification when ordering.

A copy of this manual is supplied with each machine. Additional copies are available through your dealer. When ordering additional manuals, use the reorder number listed on the front cover and the quantity needed.

**NOTICE TO OWNER** – You are requested to notify Vermeer Corporation when you have purchased a used McLaughlin piercing tool. Notify the Customer Data Department by telephone: 800-829-0051 or 641-628-3141; email: [customerdata@vermeer.com](mailto:customerdata@vermeer.com); internet: [www.vermeer.com](http://www.vermeer.com); or, letter: Customer Data Dept., Vermeer Corporation, PO Box 200, Pella IA 50219 USA. Upon request, an owner of a used McLaughlin piercing tool will receive one free set of Operator's, Maintenance and Parts manuals.

**Decals - Section 1**

Safety/Cosmetic ..... Fig 1-1

**VPT200 Components - Section 2**

2" Screw Reverse Pneumatic Piercing Tool..... Fig 2-1

**VPT250 Components - Section 3**

2 1/2" Screw Reverse Pneumatic Piercing Tool..... Fig 3-1

2 1/2" Short Screw Reverse Pneumatic Piercing Tool ..... Fig 3-2

**VPT300 Components - Section 4**

3" Screw Reverse Pneumatic Piercing Tool..... Fig 4-1

**VPT400 Components - Section 5**

4" Screw Reverse Pneumatic Piercing Tool..... Fig 5-1

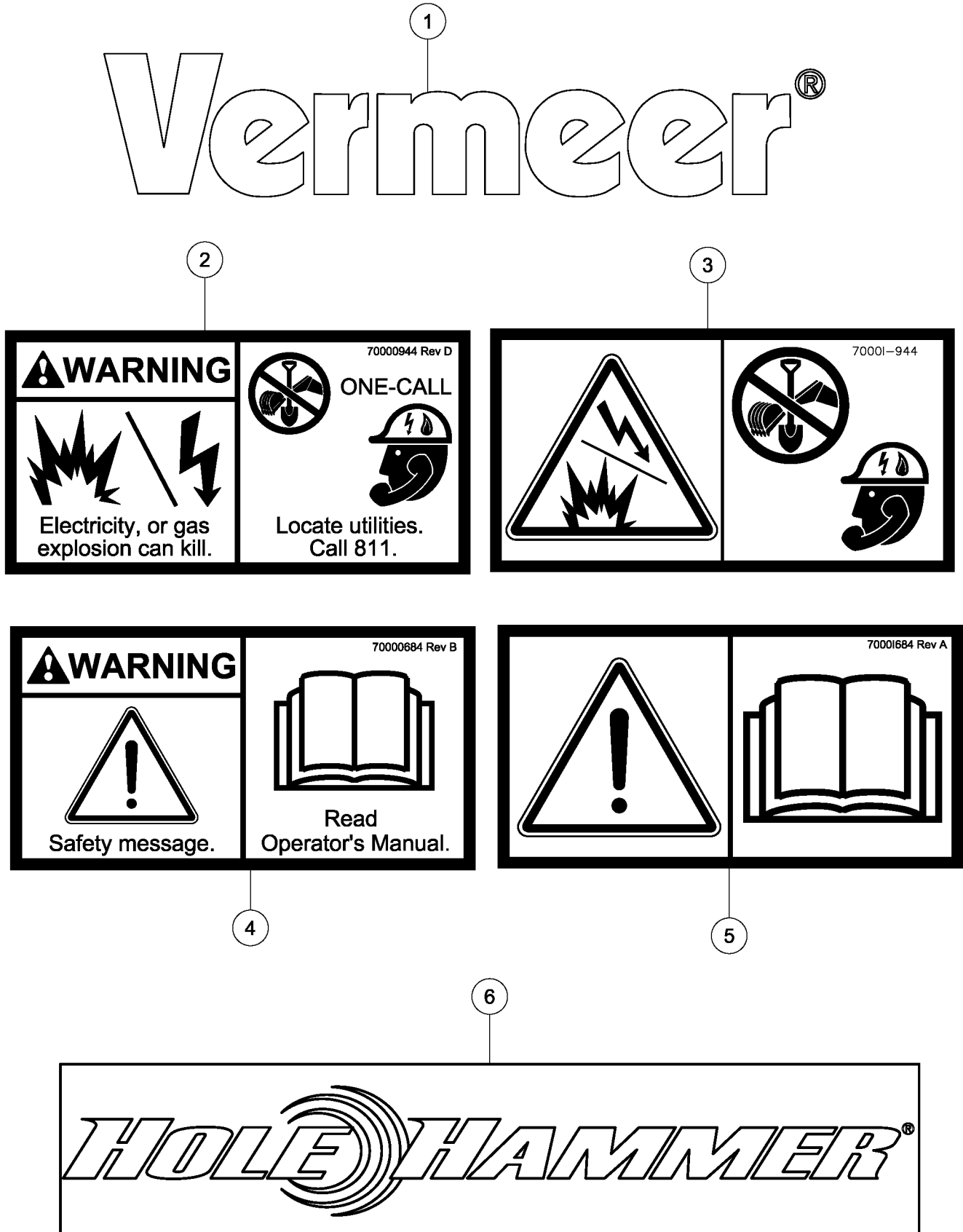
**VPT500 Components - Section 6**

5 1/4" Screw Reverse Pneumatic Piercing Tool..... Fig 6-1

**Oiler Components - Section 7**

Oiler..... Fig 7-1

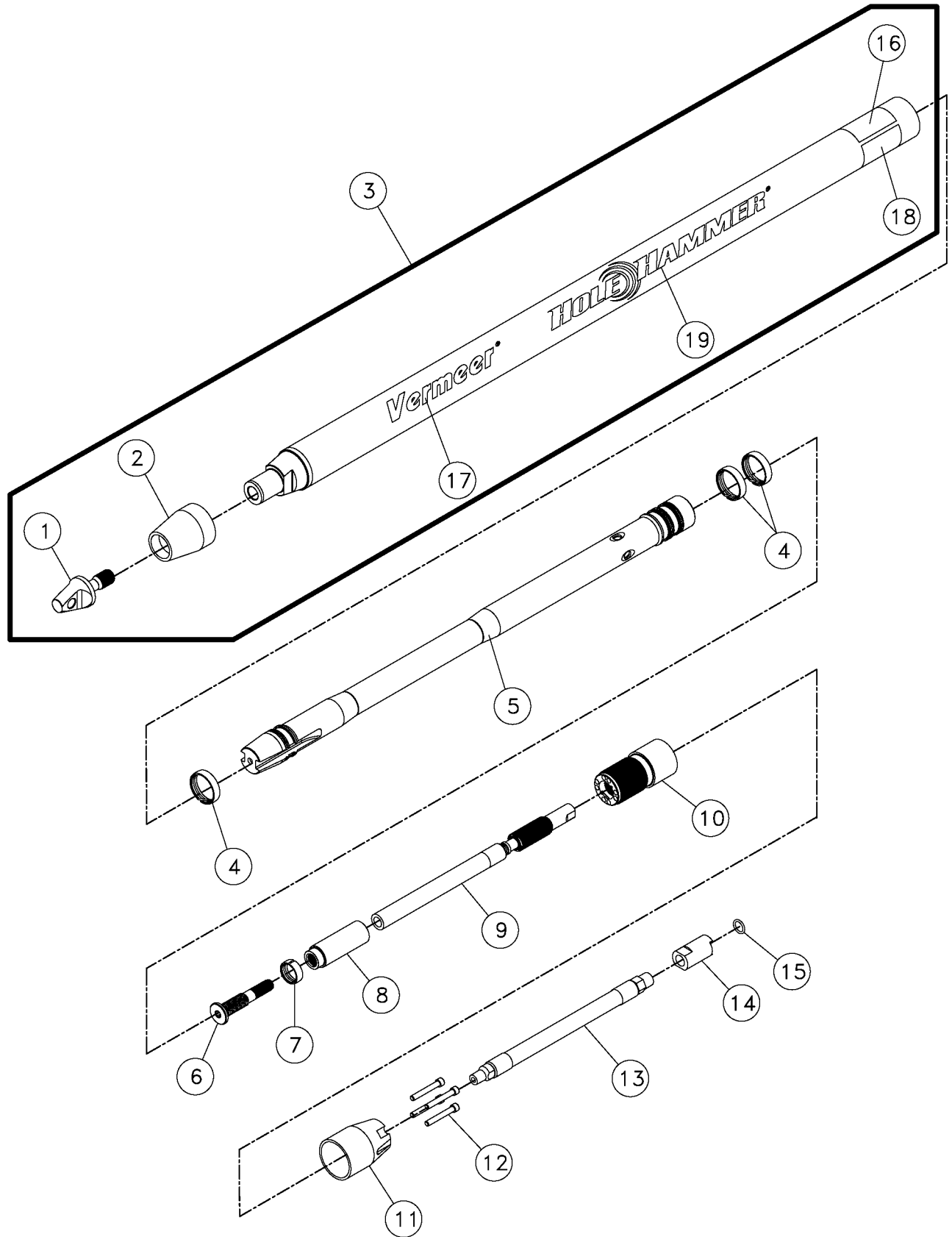
Safety/Cosmetic Fig 1-1



## Safety/Cosmetic Fig 1-1

REF. NO.	*	PART NO.	DESCRIPTION	QTY.	REMARKS
1		7000D665	DECAL-1.75" YELLOW VERMEER LABEL	1	
2		70000944	DECAL-WARNING UND MOLES	1	Domestic
3		7000I944	DECAL-WARNING (UG)	1	International
4		70000684	DECAL-WARNING	1	Domestic
5		7000I684	DECAL-WARNING	1	International
6		296379350	DECAL - HOLE HAMMER	1	

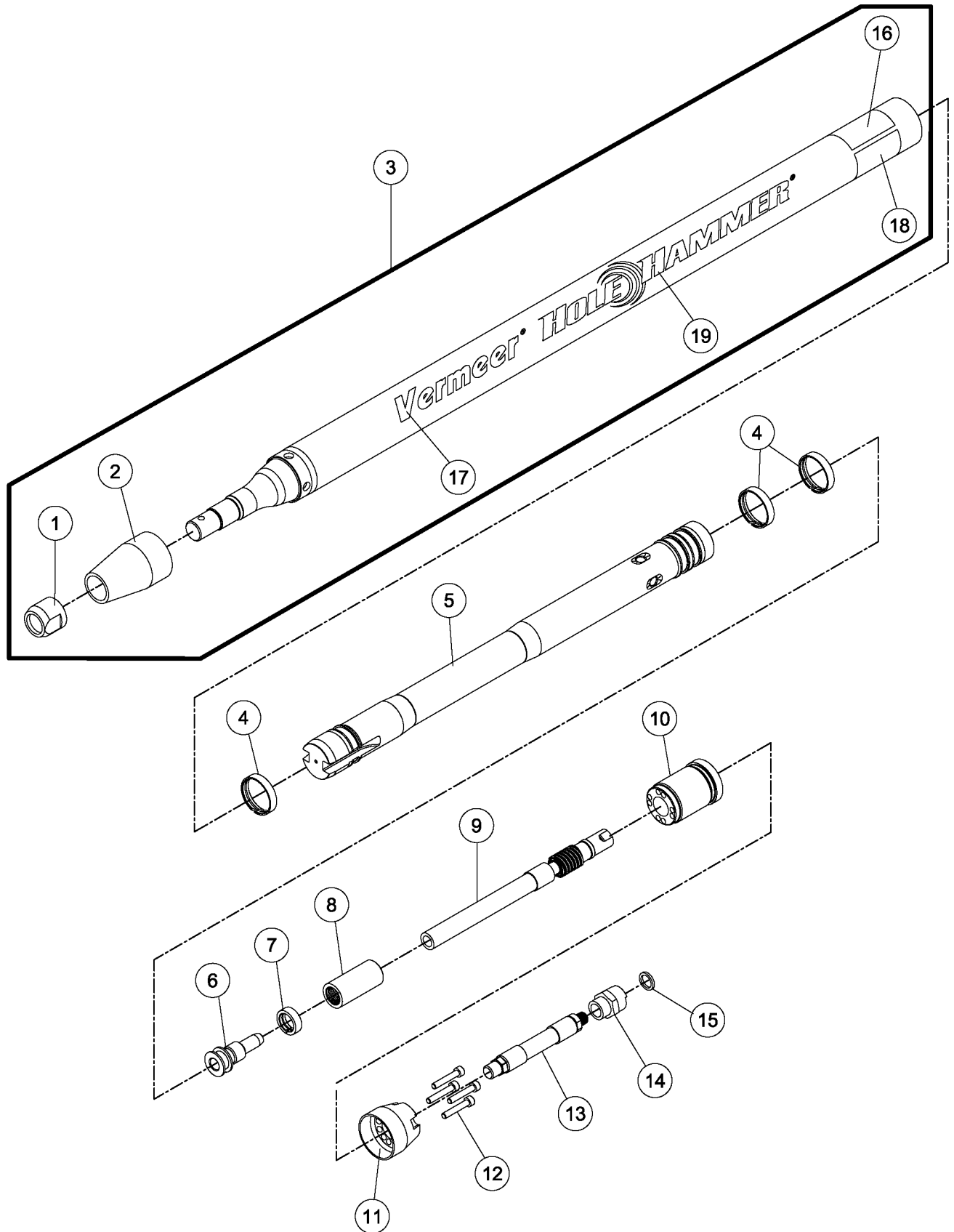
2" Screw Reverse Pneumatic Piercing Tool Fig 2-1



## 2" Screw Reverse Pneumatic Piercing Tool Fig 2-1

REF. NO.	*	PART NO.	DESCRIPTION	QTY.	REMARKS
1		231859001	BOLT - REPLACEABLE NOSE	1	
2		238764001	REPLACEABLE HEAD	1	
3		238768001	BODY ASSEMBLY 2" STD	1	Includes Items 1 - 2 & 16 - 19
4		206590007	STRIKER RING	3	
5		296279103	STRIKER	1	
6		206590009	VALVE RETAINER	1	
7		206590011	VALVE RING	1	
8		206590021	VALVE	1	
9		207185001	INTERNAL HOSE ASSEMBLY	1	
10		206590015	REAR ANVIL	1	
11		206590017	TAIL CONE	1	
12		206590019	TAIL BOLT	4	
13		229146001	EXTERNAL HOSE WHIP	1	
14		238774001	QUICK CONNECT-FEMALE	1	
15		248781001	O-RING	1	
16		70000944	DECAL-WARNING UND MOLES	1	Domestic
16		7000I944	DECAL-WARNING	1	International
17		7000D665	DECAL - 1.75" YELLOW VERMEER	1	
18		70000684	DECAL-WARNING	1	Domestic
18		7000I684	DECAL-WARNING	1	International
19		296379350	DECAL - HOLE HAMMER	1	

2 1/2" Screw Reverse Pneumatic Hammer Fig 3-1

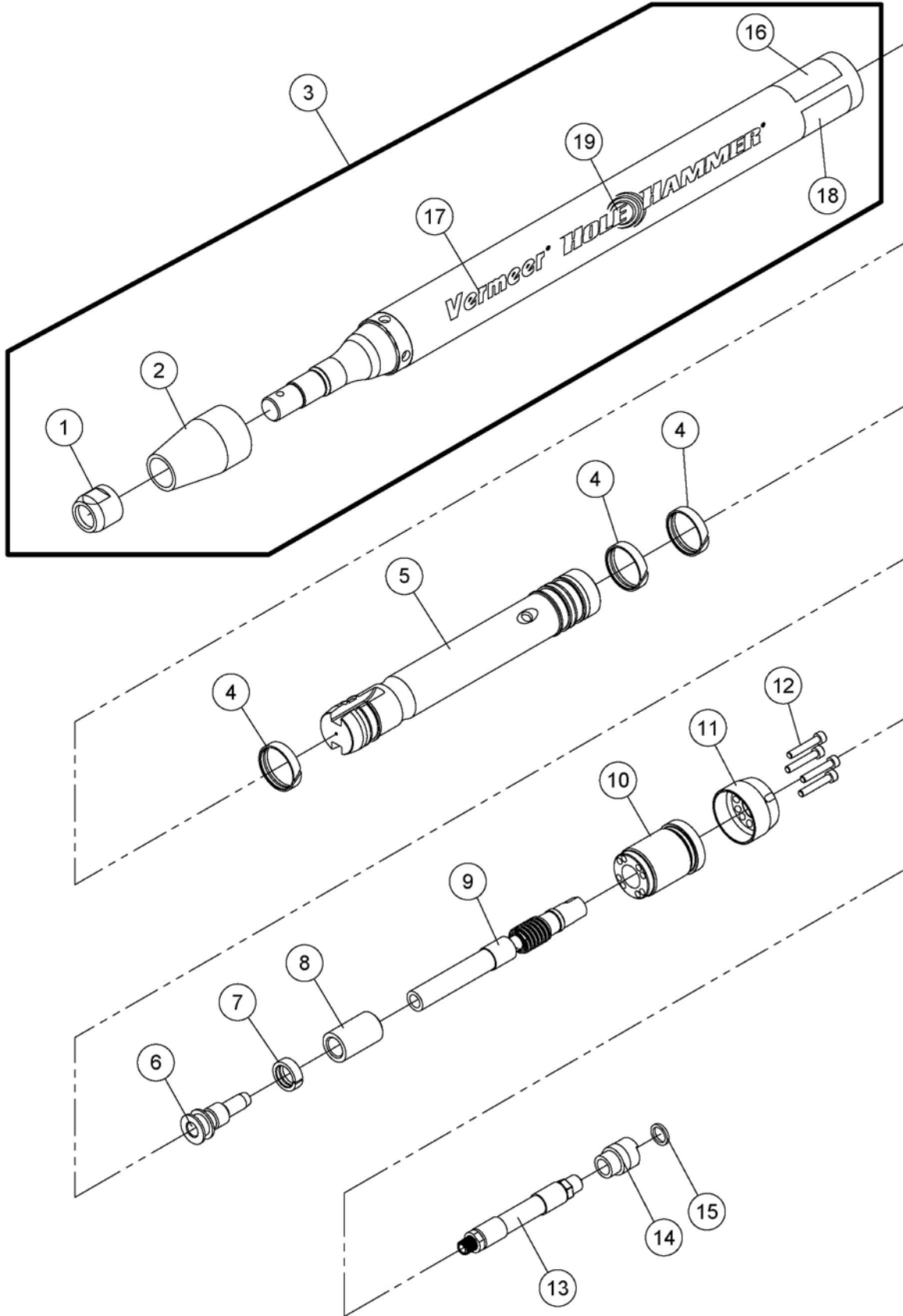




## 2 1/2" Screw Reverse Pneumatic Piercing Tool Fig 3-1

REF. NO.	*	PART NO.	DESCRIPTION	QTY.	REMARKS
1		296253067	ANVIL NUT	1	
2		296253068	REPLACEABLE WEAR FACE	1	
3		241011001	BODY ASSEMBLY 2 1/2" STD	1	Includes Items 1 - 2 & 16 - 19
4		218333001	STRIKER RING	3	
5		218328001	STRIKER	1	
6		218332001	VALVE RETAINER	1	
7		218334001	VALVE RING	1	
8		218331001	VALVE	1	
9		218369001	HOSE WHIP-VALVE END	1	
10		218329001	REAR ANVIL	1	
11		218330001	TAILCONE	1	
12		218335001	BOLT - TAIL	4	
13		207043001	SERVICEABLE REAR HOSE WHIP	1	
14		204933023	FITTING-PNEUMATIC	1	
15		241107001	O-RING	1	
16		70000944	DECAL-WARNING UND MOLES	1	Domestic
16		7000I944	DECAL-WARNING	1	International
17		7000D665	DECAL - 1.75" YELLOW VERMEER	1	
18		70000684	DECAL-WARNING	1	Domestic
18		7000I684	DECAL-WARNING	1	International
19		296379350	DECAL - HOLE HAMMER	1	

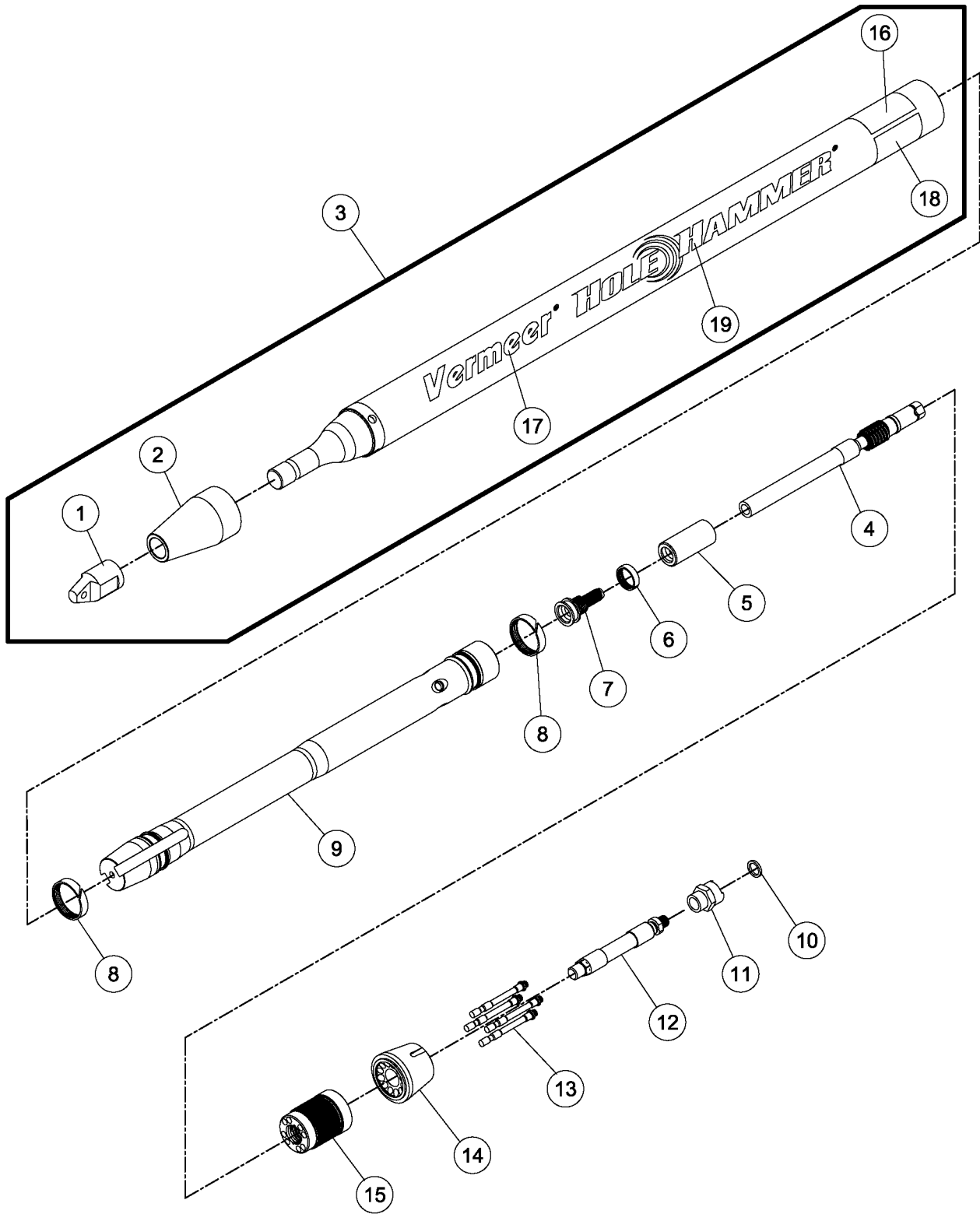
2 1/2" Short Screw Reverse Pneumatic Piercing Tool Fig 3-2



## 2 1/2" Short Screw Reverse Pneumatic Piercing Tool Fig 3-2

REF. NO.	*	PART NO.	DESCRIPTION	QTY.	REMARKS
1		296253067	ANVIL NUT	1	
2		296253068	REPLACEABLE WEAR FACE	1	
3		296379436	2.5" SHORTY TUBE BODY	1	Includes Items 1 - 2 & 16 - 19
4		218333001	STRIKER RING	3	
5		296279104	STRIKER - 2-1/2" SW	1	
6		218332001	VALVE RETAINER	1	
7		218334001	VALVE RING	1	
8		231773001	VALVE	1	
9		231779001	HOSE-INTERNAL	1	
10		218329001	REAR ANVIL	1	
11		231777001	TAILCONE	1	
12		218335001	BOLT - TAIL	4	
13		207043001	SERVICEABLE REAR HOSE WHIP	1	
14		204933023	FITTING PNEUMATIC	1	
15		241107001	O-RING	1	
16		70000944	DECAL-WARNING UND MOLES	1	Domestic
16		7000I944	DECAL-WARNING	1	International
17		7000D665	DECAL - 1.75" YELLOW VERMEER	1	
18		70000684	DECAL-WARNING	1	Domestic
18		7000I684	DECAL-WARNING	1	International
19		296379350	DECAL - HOLE HAMMER	1	

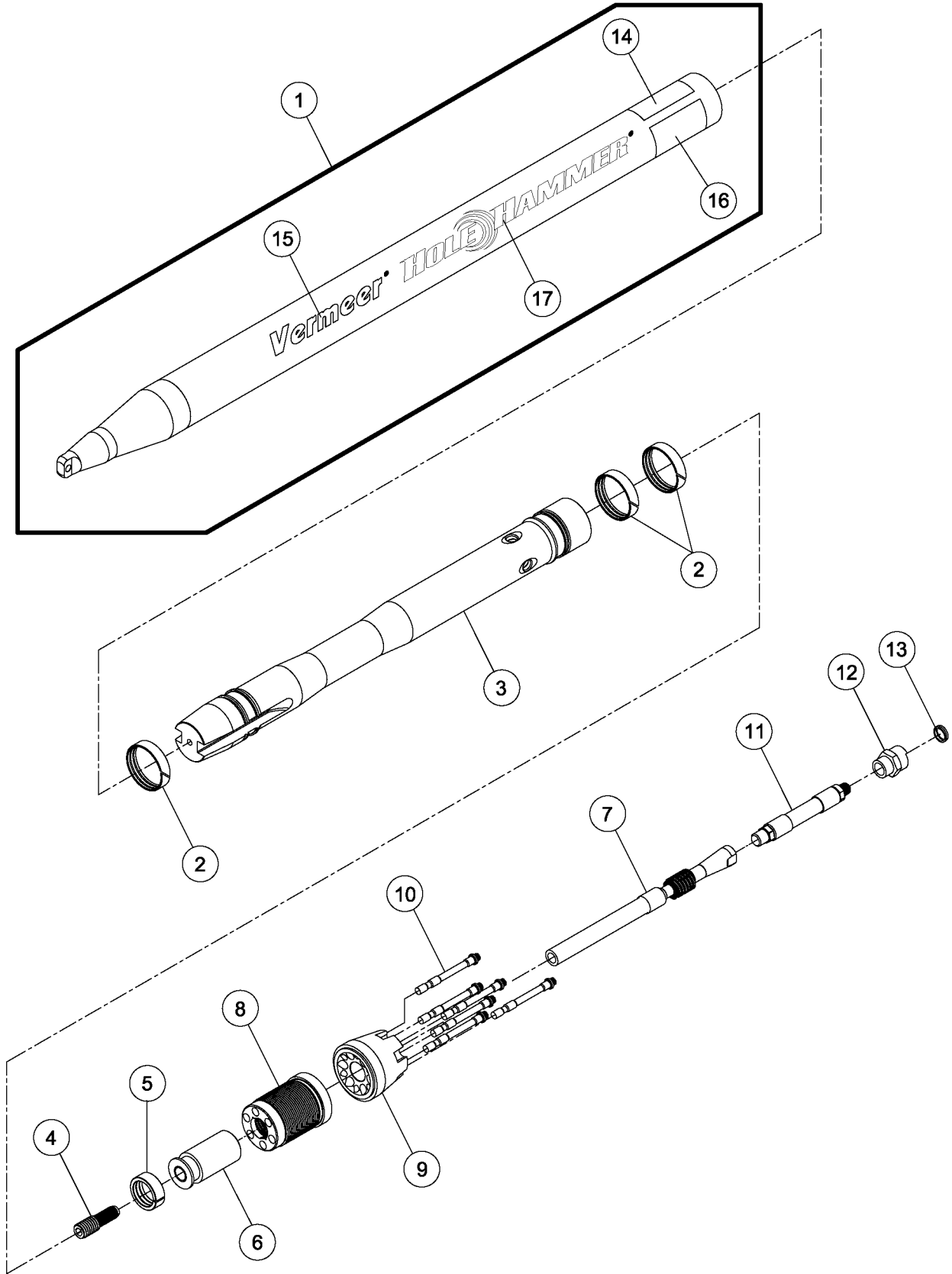
3" Screw Reverse Pneumatic Piercing Tool Fig 4-1



## 3" Screw Reverse Pneumatic Piercing Tool Fig 4-1

REF. NO.	*	PART NO.	DESCRIPTION	QTY.	REMARKS
1		296267708	ANVIL NUT	1	
2		296267709	WEARFACE	1	
3		215399001	BODY ASSEMBLY 3" STD	1	Includes Items 1 - 2 & 16 - 19
4		207042001	VALVE END SERVICEABLE WHIP	1	
5		221593001	VALVE	1	
6		204933011	VALVE RING	1	
7		221594001	VALVE RETAINER	1	
8		204933007	STRIKER RING	2	
9		296278497	STRIKER	1	
10		241107001	O-RING	1	
11		204933023	FITTING-PNEUMATIC	1	
12		207043001	SERVICEABLE REAR HOSE WHIP	1	
13		204933021	TAIL BOLT	4	
14		204933019	TAIL CONE	1	
15		204933015	REAR ANVIL	1	
16		70000944	DECAL-WARNING UND MOLES	1	Domestic
16		7000I944	DECAL-WARNING	1	International
17		7000D665	DECAL - 1.75" YELLOW VERMEER	1	
18		70000684	DECAL-WARNING	1	Domestic
18		7000I684	DECAL-WARNING	1	International
19		296379350	DECAL - HOLE HAMMER	1	

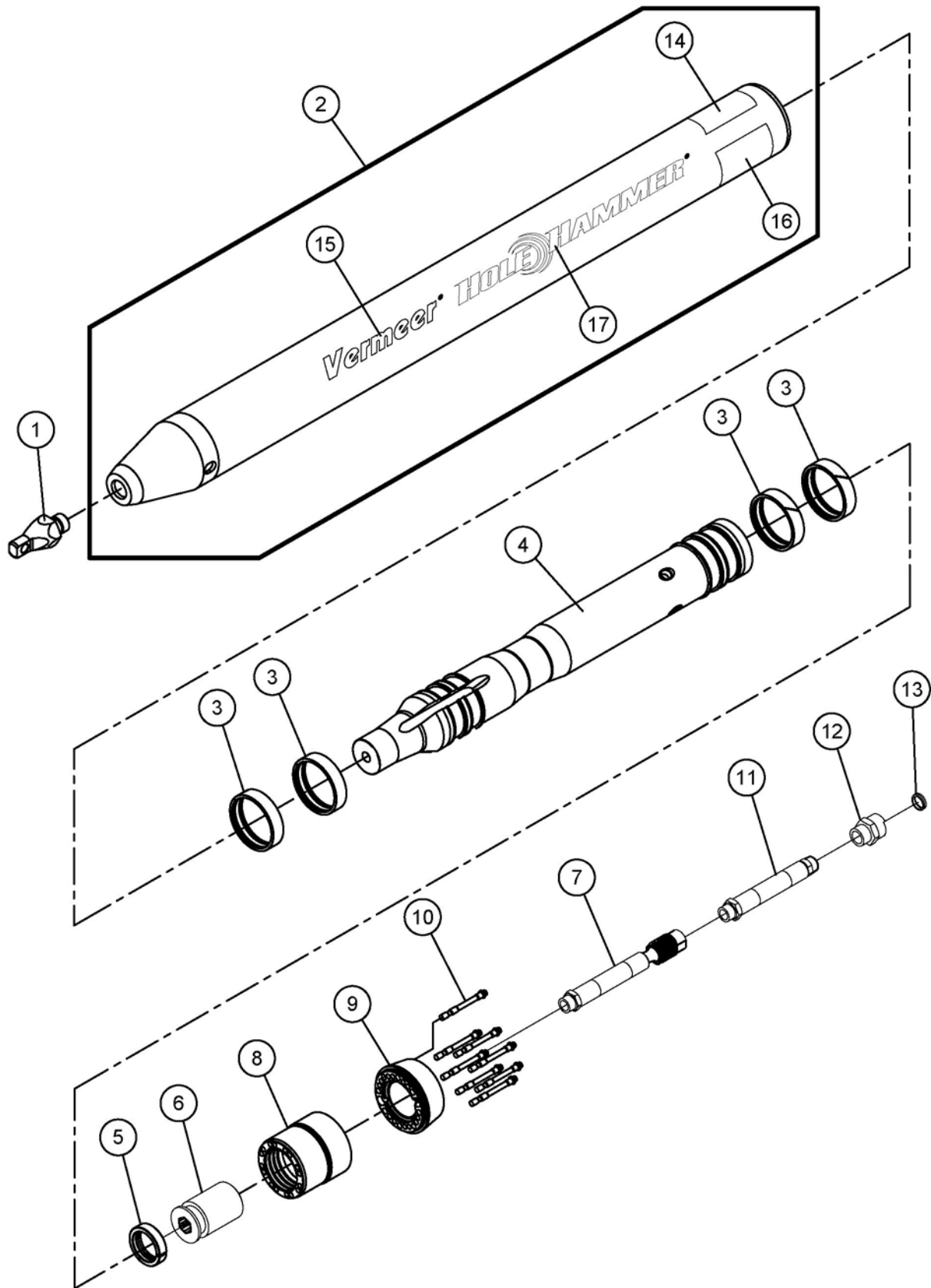
4" Screw Reverse Pneumatic Piercing Tool Fig 5-1



## 4" Screw Reverse Pneumatic Piercing Tool Fig 5-1

REF. NO.	*	PART NO.	DESCRIPTION	QTY.	REMARKS
1		206591003	BODY ASSEMBLY 4" STD	1	Includes Items 14 - 17
2		206591007	STRIKER RING	3	
3		296278498	STRIKER, 4" STD	1	
4		206591009	VALVE RETAINER 3-7/8" - 5-1/2"	1	
5		210030007	VALVE RING	1	
6		210030009	VALVE	1	
7		207188001	INTERNAL HOSE WHIP	1	
8		206591015	REAR ANVIL 3-7/8" - 5-1/2"	1	
9		210030005	TAILCONE 3-7/8" - 5-1/2"	1	
10		204933021	TAIL BOLT	6	
11		207189001	EXTERNAL HOSE WHIP	1	
12		207842001	FITTING-PNEUMATIC	1	
13		241107001	O-RING		
14		70000944	DECAL-WARNING UND MOLES	1	Domestic
14		7000I944	DECAL-WARNING	1	International
15		7000D665	DECAL - 1.75" YELLOW VERMEER	1	
16		70000684	DECAL-WARNING	1	Domestic
16		7000I684	DECAL-WARNING	1	International
17		296379350	DECAL - HOLE HAMMER		

5 1/4" Screw Reverse Pneumatic Piercing Tool Fig 6-1

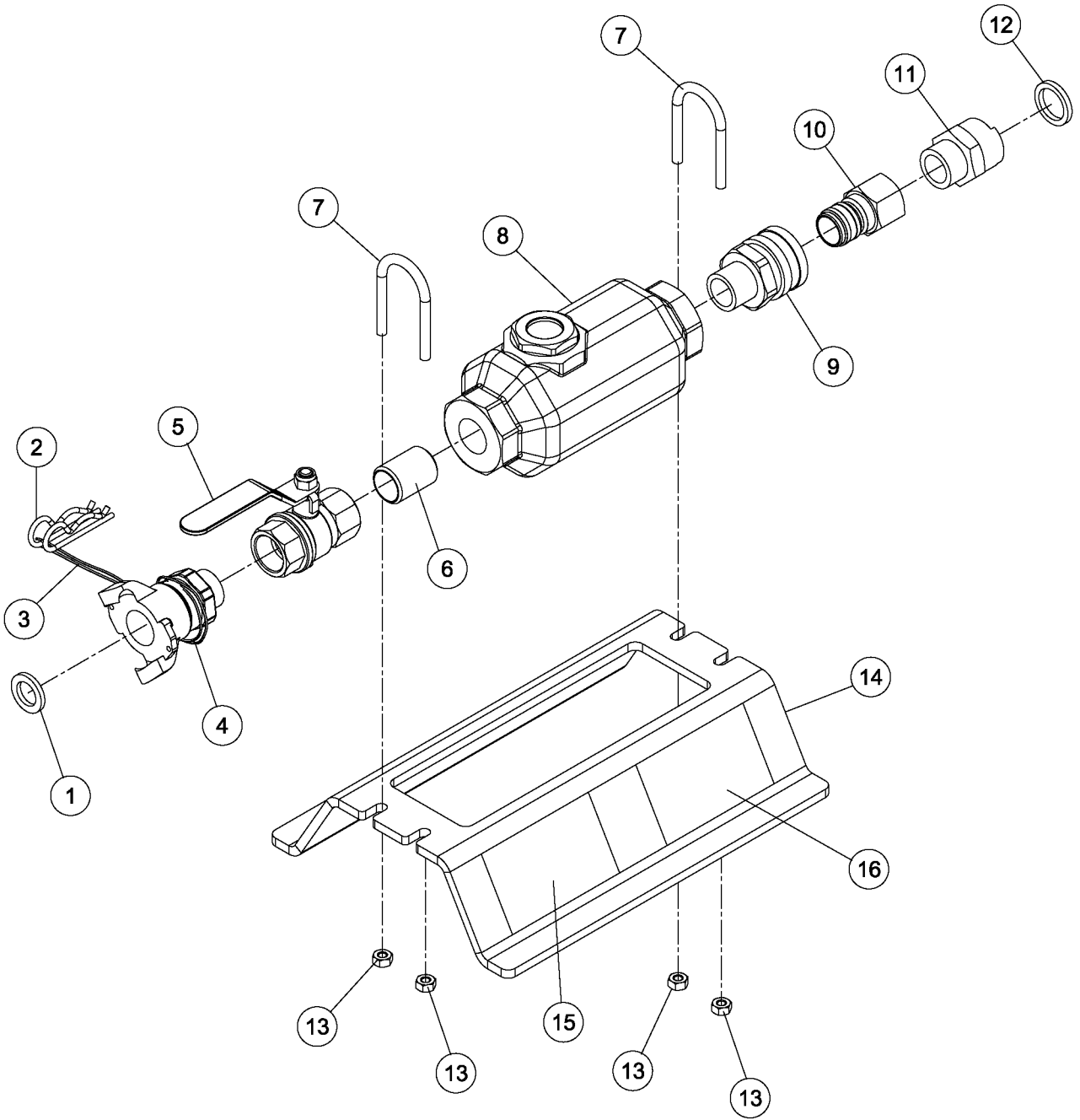




## 5 1/4" Screw Reverse Pneumatic Piercing Tool Fig 6-1

REF. NO.	*	PART NO.	DESCRIPTION	QTY.	REMARKS
1		296253036	NOSEBOLT	1	
2		223884001	BODY ASSEMBLY	1	Includes Items 14 - 17
3		223886001	STRIKER RINGS	4	
4		223885001	STRIKER	1	
5		223890001	VALVE RING	1	
6		223889001	VALVE	1	
7		223887001	INTERNAL HOSE ASSEMBLY	1	
8		223888001	REAR ANVIL	1	
9		223892001	TAILCONE	1	
10		204933021	TAIL BOLT	8	
11		223891001	SERVICEABLE REAR HOSE WHIP	1	
12		205154011	PNEUMATIC FITTING	1	
13		241107001	O-RING	1	
14		70000944	DECAL-WARNING UND MOLES	1	Domestic
14		7000I944	DECAL-WARNING	1	International
15		7000D665	DECAL - 1.75" YELLOW VERMEER	1	
16		70000684	DECAL-WARNING	1	Domestic
16		7000I684	DECAL-WARNING	1	International
17		296379350	DECAL - HOLE HAMMER	1	

Oiler Fig 7-1



Oiler Fig 7-1

REF. NO.	*	PART NO.	DESCRIPTION	QTY.	REMARKS
1		205154005	FITTING GASKET	1	
2		205154007	SAFETY CLIP	2	
3		296379260	STRING-POLY 1 16X27	1	
4		205154003	FITTING-CLAW FITTING-MALE	1	
5		3379001	VALVE - 3/4in BALL - 101R NPT	1	
6		736007	NIPPLE-3/4" CLOSE BLACK STEEL	1	
7		296386421	U - BOLT-1/4-20 2.25 TALL	2	
8		296379258	OILER (3/4" FNPT PORTS)	1	
		208567001	OILER VALVE W/O-RING	1	
9		213827001	FEMALE SOCKET/QUICK REV.KIT	1	
10		213826001	MALE PLUG/QUICK REV.KIT	1	
11		205154011	PNEUMATIC FITTING	1	
12		241107001	O-RING	1	
13		103201001	NUT-1/4-20NC NYLON INSERT LOCK	4	
14		296379259	OILER BRACKET	1	
15		70000944	DECAL-WARNING UND MOLES	1	Domestic
15		7000I944	DECAL-WARNING	1	International
16		70000684	DECAL-WARNING	1	Domestic
16		7000I684	DECAL-WARNING	1	International

**NOTES:** \_\_\_\_\_

\_\_\_\_\_

\_\_\_\_\_

\_\_\_\_\_

\_\_\_\_\_

\_\_\_\_\_

\_\_\_\_\_

\_\_\_\_\_

\_\_\_\_\_

\_\_\_\_\_

\_\_\_\_\_

\_\_\_\_\_

\_\_\_\_\_

\_\_\_\_\_

\_\_\_\_\_

\_\_\_\_\_

\_\_\_\_\_

\_\_\_\_\_

\_\_\_\_\_

\_\_\_\_\_

\_\_\_\_\_



No part of this manual may be reproduced in any form or by any means, electronic or mechanical, including photocopying, recording, or by any information storage and retrieval systems, without the express written consent of Vermeer Corporation.

**Copyright 2012-2014 McLaughlin Group, Inc.**  
**All rights reserved.**  
**McLaughlin Group, Inc.**  
**2006 Perimeter Rd.**  
**Greenville, SC 29605, USA**