



2006 Perimeter Road. Greenville, SC 29605  
Toll Free: 800/435-9340 - Phone: 864/277-5870  
Fax: 864/235-9661 - Website address: [www.mightymole.com](http://www.mightymole.com)  
Email address: [mmole@mightymole.com](mailto:mmole@mightymole.com)

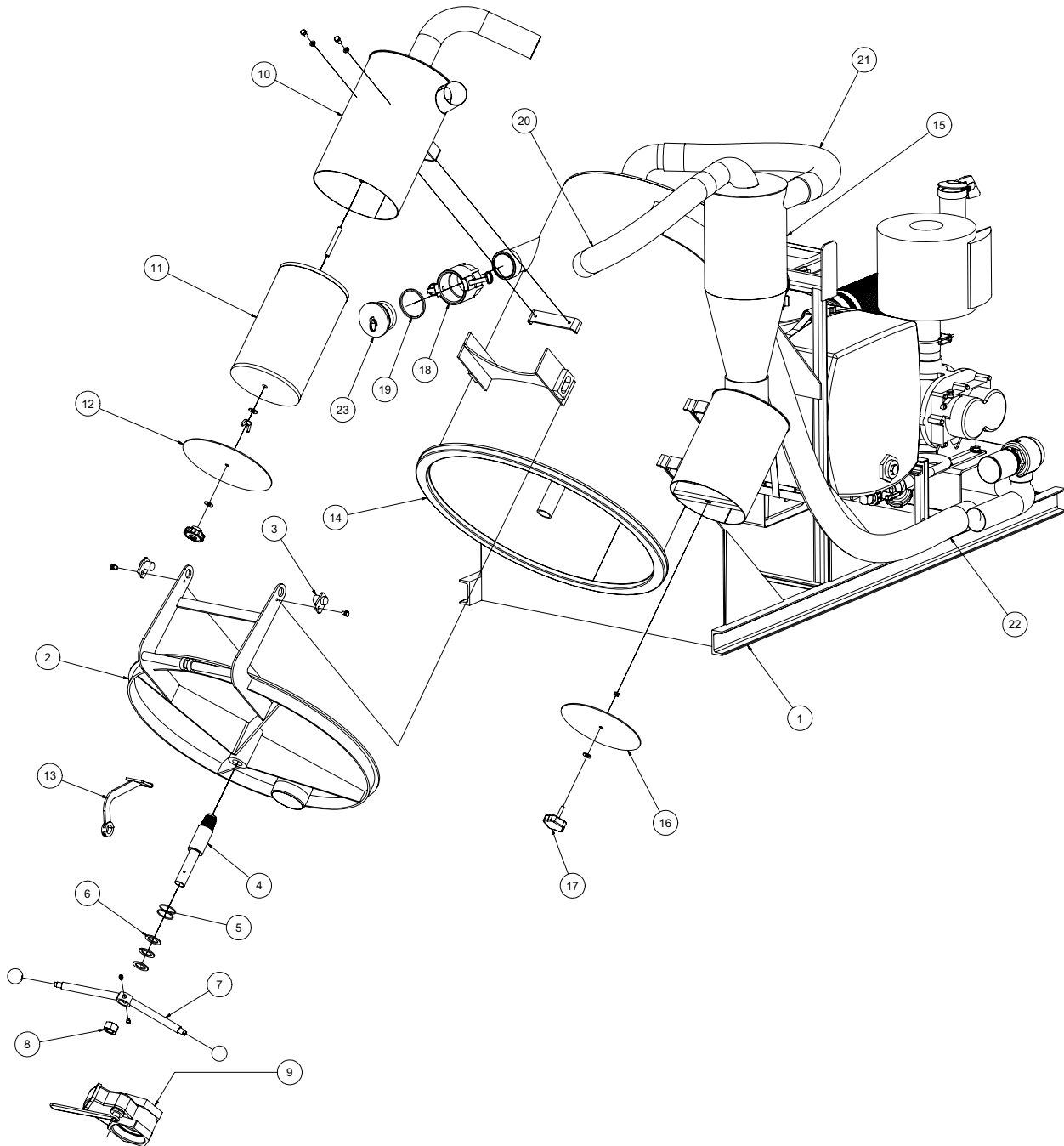
**Parts Manual  
V100G Vacuum Machine  
Part #E850100  
(SERIAL #1G061206665 - 1G061306666)**

© 2006 by McLaughlin Group, Inc.

070706

All rights reserved. No part of this manual may be reproduced in any form, or by any means without prior written permission of McLaughlin Group, Inc.

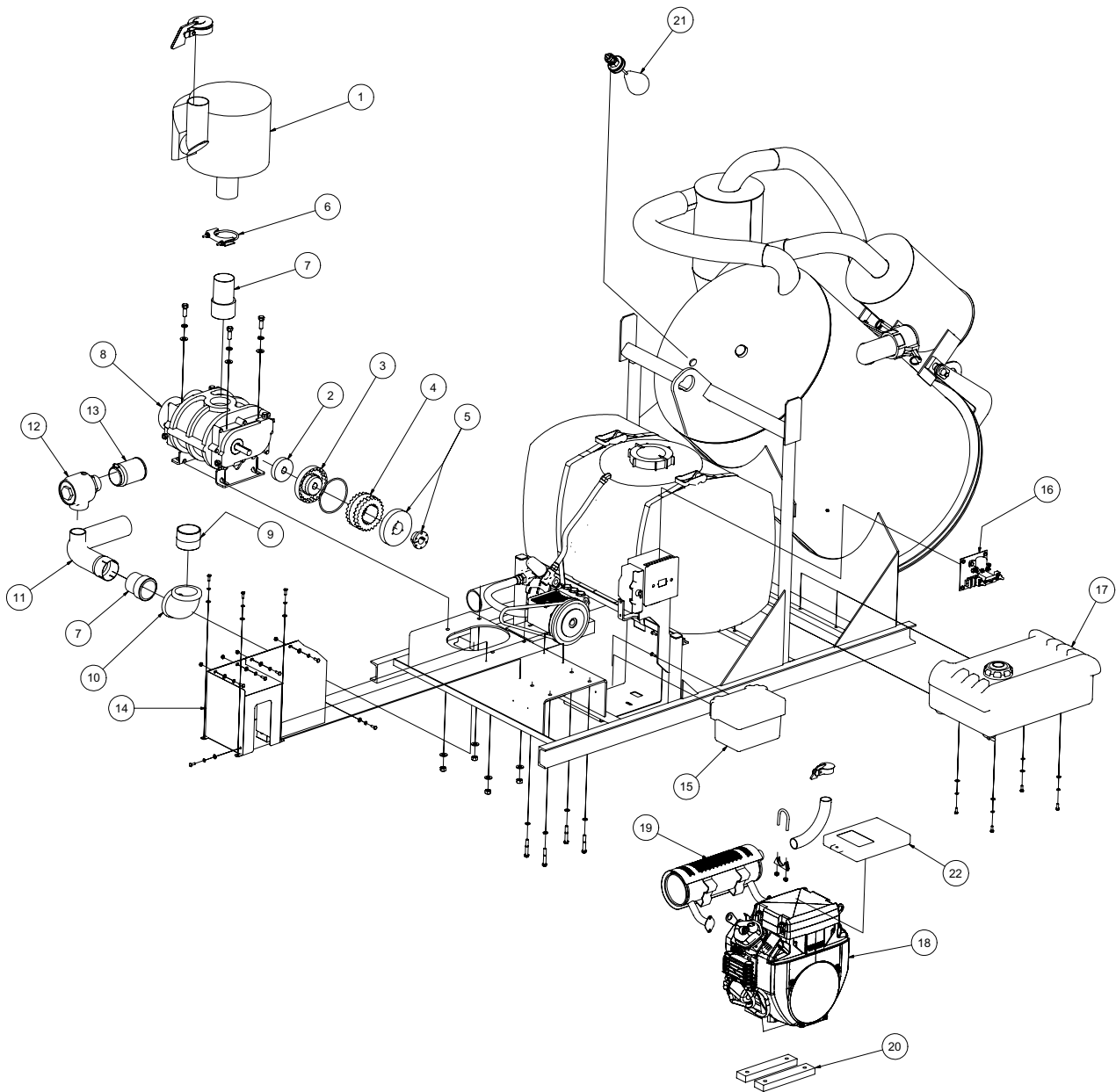
# DOOR AND AIR ASSEMBLY



# DOOR AND AIR ASSEMBLY

ITEM	QTY.	NUMBER	DESCRIPTION
1	1	8040120	100 Gallon Tank Frame
2	1	8040153	Tank Door
3	2	8040159	Door Pin
	2	U000398	Screw, HC 3/8-16 X .50"
4	1	8040306	Quick Lock Door Striker
5	2	W200120	O-Ring #225
6	3	8030174	Washer, Quick Lock
7	1	8040235	Door Handle
	2	J400060	Knob
	2	U010040	Screw, HSH 5/16-18 X .50"
8	1	U120060	Nut, Lock NY 1"-8
9	1	8030916	Gate Valve
10	1	8040228	Air Filter Housing
	2	U000400	Screw, HC 3/8-16 X .75"
	2	U210060	Washer, Lock 3/8"
11	1	8031178	Washable Filter Element
12	1	8040043	Air Filter Housing Door
	1	8041233	Gasket
	1	8040302	Door Rod
	2	8041232	Washer, Bonded Sealing 1/2"
	1	8041219	Nut, Wing 1/2-13 3" Wide
	1	8041218	Femal Threaded Knob 1/2"
13	1	8040413	Door Holder
14	1	8040873	Door Seal
15	1	8040308	Cyclone Separator Housing
	4	U000400	Screw, HC 3/8-16 x .75"
	4	U210060	Washer, Lock 3/8"
16	1	8040225	Cyclone Separator Door
	1	8041233	Gasket
17	1	8041197	Male Threaded Knob 3/8"
	1	8041231	Washer Bonded Sealing 3/8"
	1	U210061	Nut, Hex 3/8 -16 Nylock
18	1	8030392	3" Female-Female Coupler
19	1	8031042	3" Coupler Gasket
20	1	8040335	Hose, 29", Air Filter - Cyclone Separator
21	1	8040336	Hose, 36", Tank - Cyclone Separator
22	1	8040337	Hose, 97" Filter - Blower
23	1	8030393	3" Plug

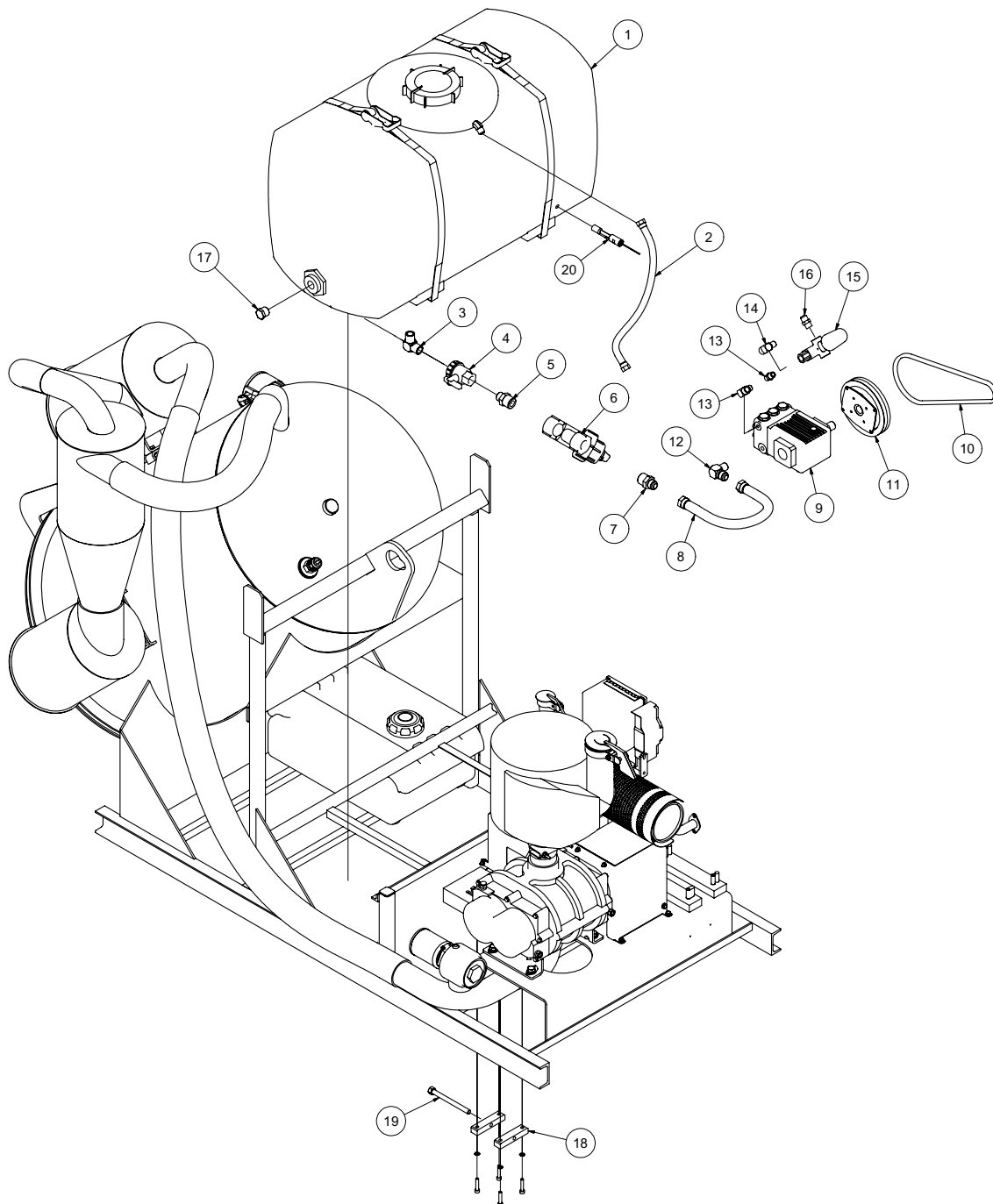
# ENGINE AND CONTROL ASSEMBLY



# ENGINE AND CONTROL ASSEMBLY

ITEM	QTY.	NUMBER	DESCRIPTION	ITEM	QTY.	NUMBER	DESCRIPTION
1	1	8030332	Silencer	17	1	8031154	Gas Tank (6.5 gallon)
	1	8030447	Rain Cap		4	U000040	Screw, HC 1/4-20 X .75"
2	1	8040189	Sheave		4	U210020	Washer, Lock 1/4"
3	1	8040180	Coupling, 7/8"		4	U200020	Washer, Flat 1/4"
	1	U410042	Key 3/16" x 2"	18	1	8031157	Engine, Honda 24 HP
4	1	8040199	E Flex Coupling w/ Ring		1	8031161	Ignition Key
5	1	8040179	Coupling 1 1/8"		4	U000560	Screw, HC 3/8-16 X 3.00"
	1	8040119	Bushing 1 1/8"		4	U100060	Nut, Hex 3/8-16
	1	U410090	Key 1/4" x 2 1/2"		4	U210060	Washer, Lock 3/8"
6	1	8030395	3" U-Bolt Clamp"		4	U200600	Washer, Flat 3/8"
7	1	8030287	Adapter	19	1	8031158	Muffler
8	1	8040000	Blower		1	8040420	Muffler Elbow
	4	U000840	Screw, HC 1/2-13 X 1.50"		1	8040422	1 1/2" Rain Cap
	4	U200100	Washer, Flat 1/2"		1	8040421	1 1/2" U-Bolt Clamp
	4	U100120	Nut, Hex 1/2-13	20	2	8040206	Engine Riser Block
9	1	8043331	3" X 3-1/2" Long Nipple	21	1	-	Tank Shut-Off Assembly
10	1	8030213	3" NPT Elbow		1	8030531	Float Switch
11	1	8040188	Inlet Elbow		2	8040879	Rubber Gasket
12	1	8040194	Kunkle Valve		2	U200170	Washer, Flat 1"
13	1	8040340	Kunkle Valve Filter		1	X000108	Thin Locknut
14	1	8040198	Coupling Guard		1	X000109	Strain Relief
	9	U000040	Screw, HC 1/4-20 X .75"		1	X000112	Extension Body
	9	U210020	Washer, Lock 1/4"		1	8041324	Elbow, Street 3/4"
	9	U200020	Washer, Flat 1/4"	22	1	8030689	Manual Box
	6	U100020	Nut, 1/4-20				
15	1	8040239	Battery Box w/ Strap				
	1	X400040	Battery				
	2	U000020	Screw, HC 1/4-20 X .75"				
	2	U210020	Washer, Lock 1/4"				
16	1	8040908	Control Box (Enclosure Only)				
	1	8040418	Solenoid Mount Plate				
	1	8030443	Solenoid ST80				
	1	X600411	Terminal Block				
	1	X000350	Hour Meter				
	2	X000095	Switch w/Boot				
	2	U000040	Screw, HC 1/4-20 X .75"				
	2	U210020	Washer, Lock 1/4"				
	2	U200020	Washer, Flat 1/4"				

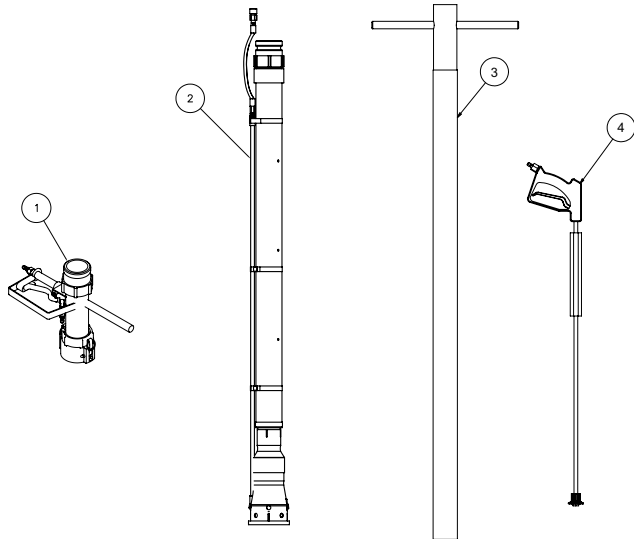
# WATER ASSEMBLY AND ACCESSORIES



# WATER ASSEMBLY AND ACCESSORIES

ITEM	QTY.	NUMBER	DESCRIPTION
1	1	8034151	Water Tank, 50 Ga.
	2	8040196	Water Tank Straps w/ Hooks
	1	8030020	Adapter, Bulkhead 45 Deg. 1/2MJ
2	1	-	By-Pass Hose
	1	8041322	20" Lg Push Lock Hose
	2	8030524	1/2" Push Lock Fitting
3	1	T401040	Elbow, 90 Deg. 3/4 MP - 3/4 MP
4	1	8030376	Ball Valve, 3/4 FNPT
5	1	T404060	Reducer, 1 MP - 3/4 MP
6	1	8040186	1" Y - Strainer
7	1	T400450	Union, 1 MP - 3/4 MJ
8	1	-	Water Pump Suction Hose Assembly
	2	8030525	3/4" Push Lock Fitting
	1	8041323	20" Lg Push Lock Hose
9	1	8040175	Water Pump
10	1	8040176	Water Pump Clutch
11	1	8034157	Belt, AX-39
12	1	T401155	Elbow, 90 Deg. 1/2 MP - 3/4 MJ
13	2	T401065	Elbow, 3/8 MP - 3/8 FP
14	1	T400803	Union, 3/8 MP - 3/8 MP
15	1	8040177	Unloader Valve
16	1	T400030	Union, 1/2 MJ - 3/8 MP
17	1	T405065	Plug, 3/4" NPT
18	2	8040219	Water Pump Adjusting Block
	4	U010295	Screw, HSH M8 X 1.25 X 40MM
	4	U210055	Washer, Lock M8
19	1	8030020	Tensioner Rod
20	1	8030343	Low Water Switch

# TOOLS





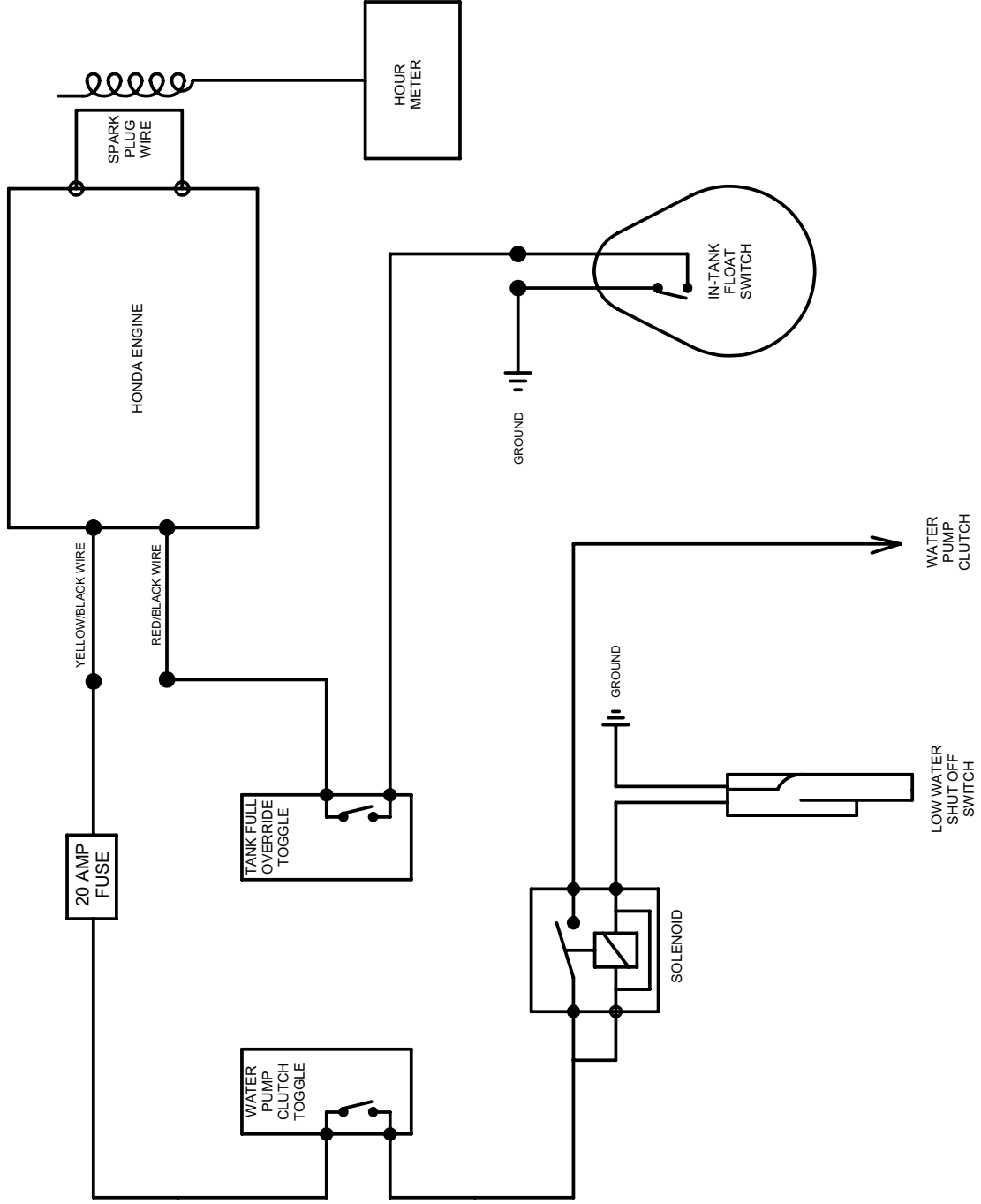
# TOOLS

Item	Qty	Number	Description	Item	Qty	Number	Description
1	1	8030635	Tool Head	4	1	8030348	Spray Wand Complete
	2	8030486	Quick Disconnect SS		1	8030928	Trigger Assembly
	1	8031079	Banjo 3" Male		1	8030847	Wand
	1	8030392	Banjo 3" Female		1	8031308	Nozzle
	1	8030928	Trigger Assembly	*	1	8040250	Vacuum Hose Assembly 3" x 16'
2	1	8030179	Reduction Tool		1	8031079	Banjo 3" Male
	2	8030370	Reduction Tool Nozzle		1	8030392	Banjo 3" Female
	2	8031268	Reduction Tool Nozzle 45Deg		2	8030240	Hose Adapter 3"
	1	8031079	Banjo 3" Male		1	8041325	Vacuum Hose 3" Kanaflex
3	1	8030215	Vacuum Tool 3"				

\* ITEM NOT SHOWN



# V100G ELECTRICAL SCHEMATIC





# **WARRANTY RETURN GOODS POLICY**

## **LIMITED WARRANTY**

The Manufacturer warrants its products to be free from defects in material and workmanship for a period of twelve months from the date of shipment from the factory. Hole Hammer pistons, bodies, and nose pieces are warranted to be free from defects in material and workmanship for a period of three years from the date of shipment from the factory. The Manufacturer shall not be responsible for any damage resulting to or caused by its products by reason of installation, improper storage, unauthorized service, alteration of the products, neglect or abuse, or use of the product in a manner inconsistent with its design. This warranty does not extend to any component parts not manufactured by Manufacturer; however, Manufacturer's warranty herein shall not limit any warranties made by manufacturers of component parts which extend to Buyer.

Claims for defects in material and workmanship shall be made in writing to Manufacturer within ten days of discovery of defect. Manufacturer may either send a service representative or have the product returned to its factory at Buyer's expense for inspection. Upon notification of defect, Manufacturer will issue a return goods authorization number to Buyer. The return goods authorization number must accompany the product returned. If judged by the Manufacturer to be defective in material or workmanship, the product will be replaced or repaired at the option of the manufacturer, free from all charges except authorized transportation. Buyer shall be responsible for all maintenance services consisting of lubrication and cleaning of equipment, replacing expandable parts, making minor adjustments, and performing operating checks, all in accordance with procedures outlined in Manufacturer's maintenance literature.

THE FOREGOING WARRANTY IS IN LIEU OF ALL OTHER WARRANTIES AND NO REPRESENTATIONS, GUARANTEES, OR WARRANTIES, EXPRESS OR IMPLIED, (INCLUDING BUT NOT LIMITED TO A WARRANTY OF MERCHANTABILITY OR FITNESS FOR A PARTICULAR PURPOSE), ARE MADE BY THE MANUFACTURER IN CONNECTION WITH THE MANUFACTURE OR SALE OF ITS PRODUCTS. NO EMPLOYEE, DISTRIBUTOR, OR REPRESENTATIVE IS AUTHORIZED TO CHANGE THIS WARRANTY ON BEHALF OF MANUFACTURER THE REMEDIES OF BUYER SET FORTH HEREIN ARE EXCLUSIVE AND ARE IN LIEU OF ALL OTHER REMEDIES. THE LIABILITY OF MANUFACTURER WHETHER IN CONTRACT, TORT, UNDER ANY WARRANTY, OR OTHERWISE SHALL NOT EXTEND BEYOND ITS OBLIGATION TO REPAIR OR REPLACE, AT ITS OPTION ANY PRODUCT OR PART FOUND BY MANUFACTURER TO BE DEFECTIVE IN MATERIAL OR WORKMANSHIP. MANUFACTURER SHALL NOT BE LIABLE FOR COST OF INSTALLATION AND/OR REMOVAL OR BE RESPONSIBLE FOR DIRECT, INDIRECT, SPECIAL OR CONSEQUENTIAL DAMAGES OF ANY NATURE.

## **GENERAL RETURNS OF MERCHANDISE**

1. All returns must be pre-authorized
  - A. Please call our parts department for an RGA number
  - B. Please include RGA number on the outside of box
  - C. Include any required paper work or special instructions
  - D. Items returned without an RGA number will not be accepted
2. All returns are subject to a 20% restock charge.
3. Special items are non-returnable
  - A. Non-stock parts
  - B. Custom parts
  - C. If you are unsure about a parts status when ordering, ask your McLaughlin representative if the item fits on of the above conditions.
4. Items must be returned within thirty days of original order date.
5. Items not returned within 30 days from the date of RGA is issued will not be accepted.
6. The item(s) must be in new condition. Used item(s) are not returnable.



