



**McLAUGHLIN®**

2006 Perimeter Road. Greenville, SC 29605  
Toll Free: 800/435-9340 - Phone: 864/277-5870  
Fax: 864/235-9661 - Website address: [www.mclaughlinunderground.com](http://www.mclaughlinunderground.com)  
Email address: [mmole@mightymole.com](mailto:mmole@mightymole.com)

**Parts Manual**  
**Vermeer/ McLaughlin V500HD Vacuum Machine**  
**Part #E850501**  
**(SERIAL #5DHD012808970 - 5DHDRF052208130)**

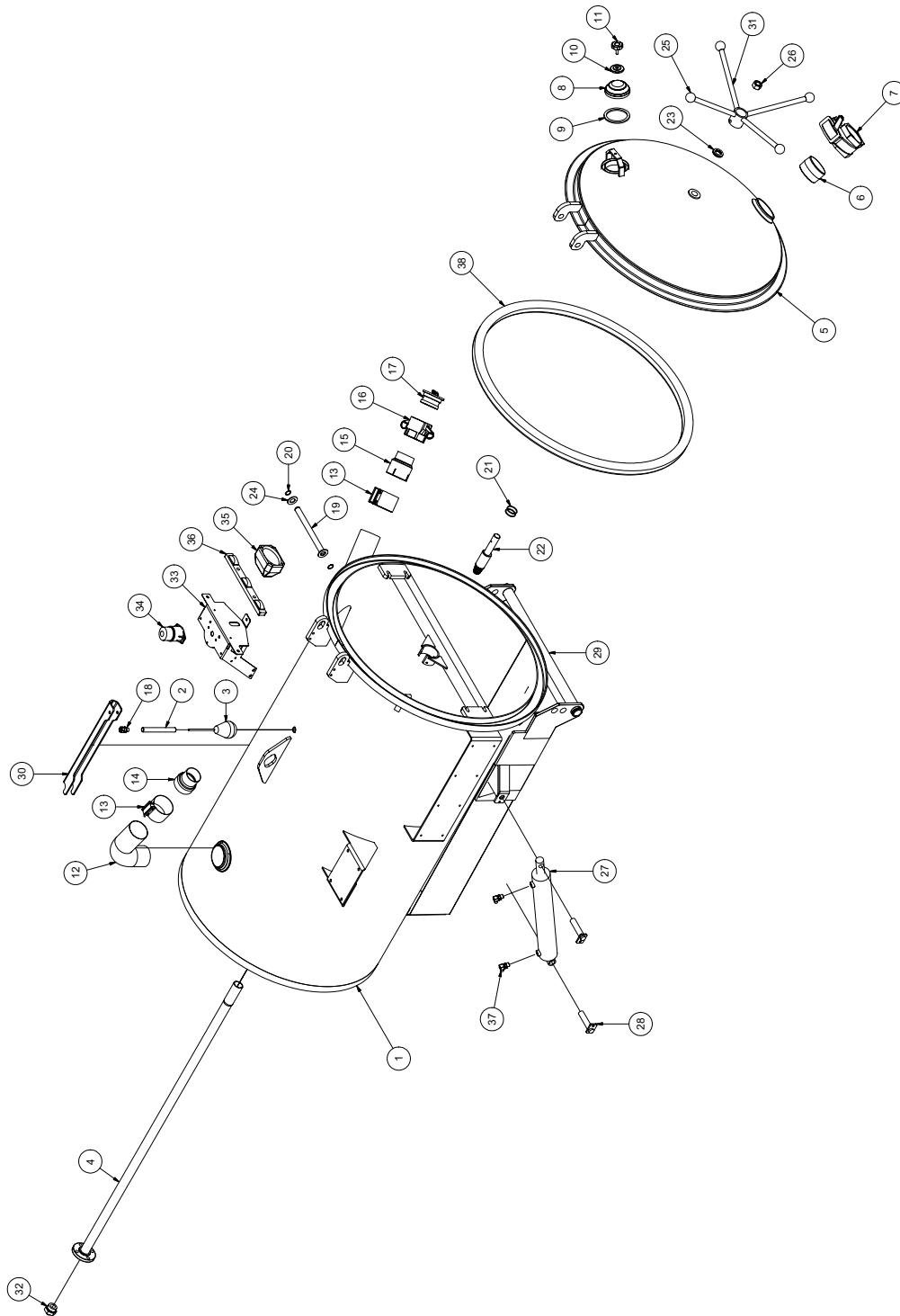
© 2009 by McLaughlin Group, Inc.

052009

All rights reserved. No part of this manual may be reproduced in any form, or by any means without prior written permission of McLaughlin Group, Inc.

# Tank and Door Assembly

# V500HD



022309

VACASSY003

# Tank and Door Assembly

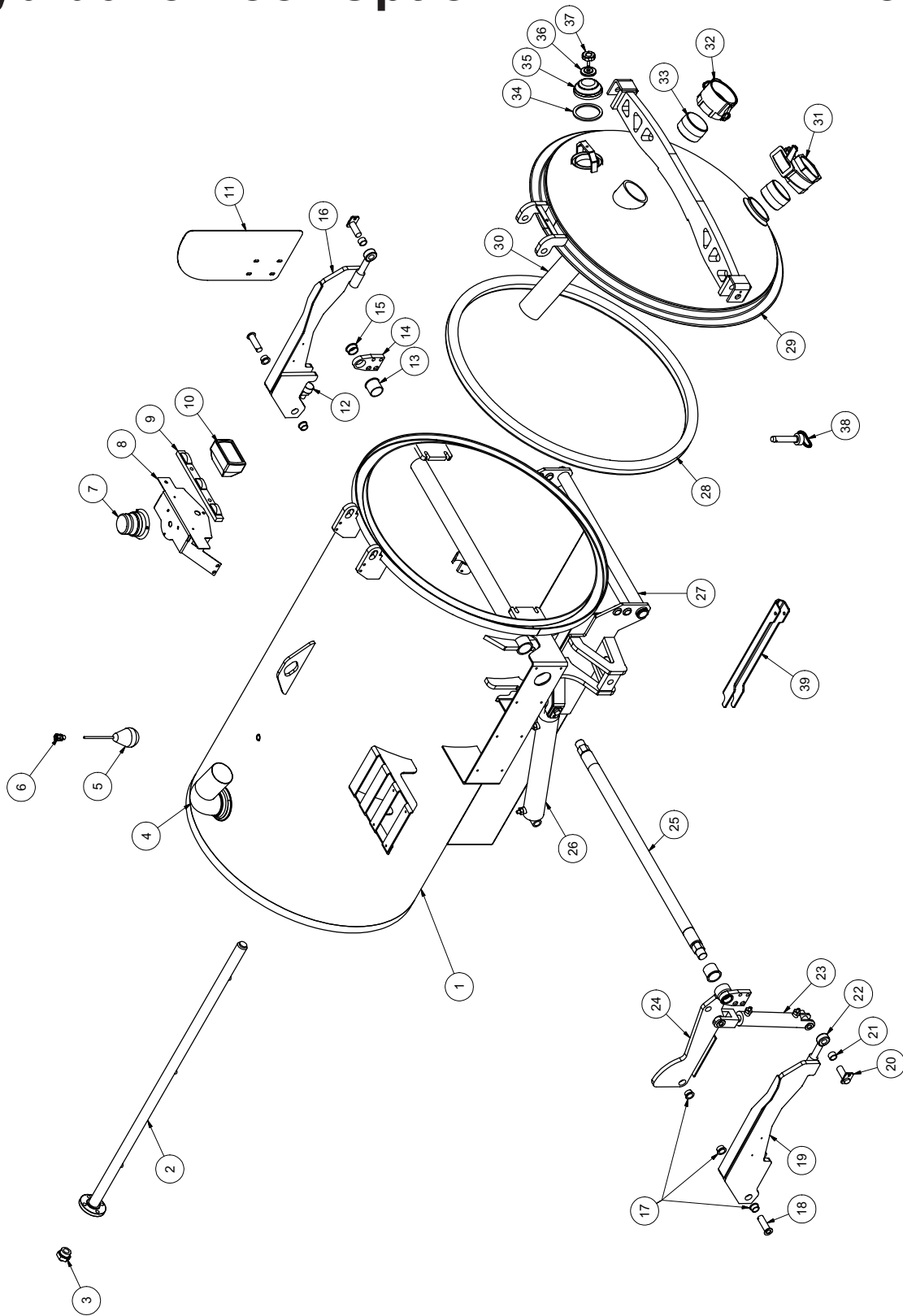
# V500HD

ITEM	QTY	PART #	DESCRIPTION	ITEM	QTY	PART #	DESCRIPTION
1	1	8040821	TANK - 500 (42" DIA)	33	1	8043318	STROBE LIGHT BRACKET
2	1	8040769	FLOAT SWITCH TUBE V500/500HD	4	U000880	SCREW,HC 1/2-13 X 2.00	
	1	8041291	BUSHING, RUBBER	4	U200100	WASHER, FLAT 1/2"	
*	1	8041471	FLOAT TUBE V500LT/V500LTHD	4	U210111	WASHER, LOCK 1/2"	
3	1	8043913	HIGH LEVEL FLOAT SWITCH ASSY	4	U100120	NUT, HEX 1/2-13	
4	1	8043209	TANK ROD - (500) MANUAL DOOR	1	X200003	WIRE HARNESS VAC TANK	
	1	8030446	O-RING #328 BUNA	1	X200100	WIRE HARNESS VAC TANK S/O	
	4	U000880	SCREW, HC 1/2-13 X 2.00	34	1	8043139	STROBE LIGHT LED
	4	U100120	NUT, HEX 1/2-13	3	U010006	SCREW, PHILLIPS #10-24X1"	
	8	U200100	WASHER, FLAT 1/2"	3	U210005	WASHER, LOCK #10	
	3	U010055	SCREW, HSH 5/16-18 X 1.50	3	U100010	NUT, HEX #10-24	
	3	8030369	TANK CLEANOUT NOZZLES	35	1	8043138	WORK LIGHT
5	1	8040843	DOOR - 500 (42" DIA)	36	1	8041509	LIGHT CLEARANCE 3 BAR
6	1	8030431	4" CLOSE NIPPLE	37	4	T401270	ELBOW, 90 1/2"MB-3/8"MJ
7	1	8030916	4" GATE VALVE	38	1	8041765	V500 SQUARE DOOR SEAL
	1	8031116	GATE VALVE HANDLE				
8	1	8031048	SIGHT GLASS	*	1	X200003	TANK HARNESS
9	1	8032007	GASKET, 4" COUPLER				
10	1	8031047	SIGHT GLASS PLATE				
11	1	8031046	SIGHT GLASS HAND WHEEL				
12	1	8040786	EXHAUST ELBOW 4"				
13			NOT APPLICABLE				
14			NOT APPLICABLE				
15	1	8040991	ADAPTER, 4" HOSE X 4" MNPT 1025				
16	1	8030846	COUPLING, 4" ALUM CAMLOCK FXF				
	1	8032007	GASKET, 4" FLAT ALUM COUPLER				
17	1	8032006	4" COUPLING PLUG				
	1	8041485	LANYARD CABLE				
18	1	X000113	STRAIN RELIEF, 1/2"				
19	1	8040058	DOOR HINGE ROD				
20	2	8030362	1" SNAP RING				
21	2	W200120	ORING 1-7/8 X 2-1/8 X 1/8 (225)				
22	1	8040306	QL DOOR STRIKER				
23	3	8030174	WASHER, DOOR HOLDER Q.L.				
24	2	U200171	WASHER, FLAT 1" SAE				
25	4	J400060	1 7/8" KNOB				
26	1	U120060	NUT, LOCK NY 1" - 8				
27	2	8030359	SPOIL TANK HYDRAULIC CYLINDER				
	2	8042948	TANK CYL BASE END HOSE 6-36 ST-ST				
	2	8041521	TANK CYL ROD END HOSE 6-55 ST-ST				
	2	8042923	HYD PUMP SUPPLY/RETURN HOSE 6-46 ST-90				
	2	T402154	TEE, 3/8" MJ - 3/8" MJ - 3/8" MJ				
28	4	8030128	CYLINDER PIN				
	4	U000400	SCREW, HC 3/8-16 X 0.75				
	4	U210060	WASHER, LOCK 3/8"				
29	1	8044970	TANK PIVOT ROD				
	2	U200100	WASHER, FLAT 1/2"				
	2	U100120	NUT, HEX 1/2-13				
30	1	8041212	TANK SAFETY BRACE				
	1	8041213	CLIP, SAFETY				
31	1	8040235	DOOR HANDLE, 250-1200				
	2	U010040	SCREW, HSH .312-18 X .50				
32	1	T400261	REDUCER #16 MSAE - #6 MJ				

\* NOT SHOWN

# Hydraulic Door Option

# V500



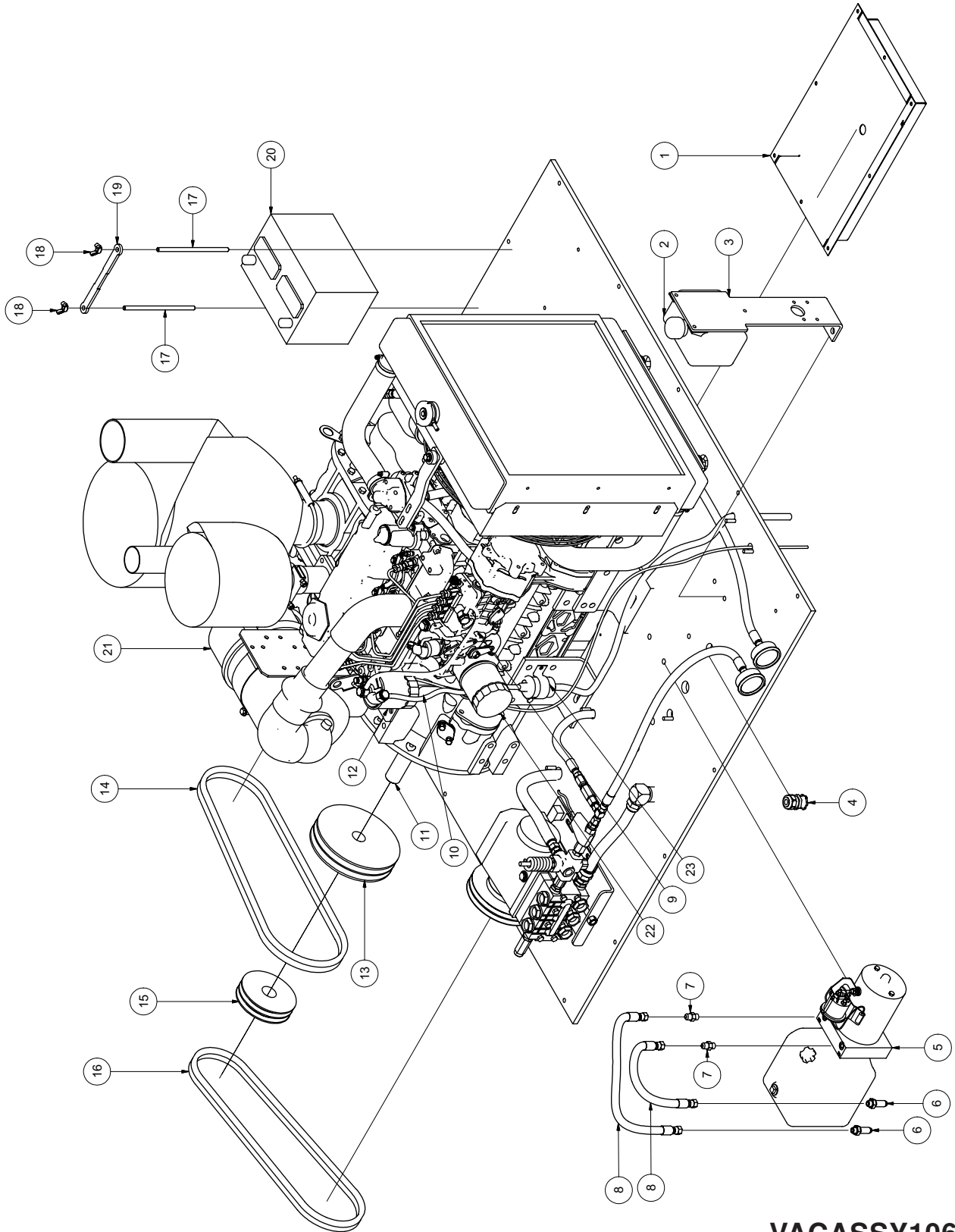
# Hydraulic Door Option

# V500

ITEM#	QTY	NUMBER	DESCRIPTION	ITEM#	QTY	NUMBER	DESCRIPTION
1	1	8041292	TANK 500 FINISHED HYDLOCKDOOR	25	1	8041607	LINKAGE CROSS TUBE
2	1	8041566	TANK ROD, 500	26	2	8030359	CYLINDER HYD 3"X4"
	1	8030446	O-RING #328 BUNA	4	4	T401270	ELBOW, 90 1/2MB-3/8MJ
	4	U000880	SCREW, HC 1/2"-13 X 2"	4	4	8043301	HOSE ASSY VAC 6-56 ST-ST
	4	U100120	NUT, HEX 1/2"-13	2	2	8043302	HOSE ASSY VAC 6-78 ST-ST
	8	U200100	WASHER, FLAT 1/2"	4	4	T402154	TEE 3/8 MJ - 3/8 MJ - 3/8 MJ
	3	U010055	SCREW, HSH 5/16-18 X 1 1/2"	2	2	T400022	REDUCER 3/8 FJ - 1/4 MJ
	3	8043166	TANK CLEANOUT NOZZLES	4	4	8030128	VAC CYL PIN
3	1	T400261	REDUCER, 1-1/4 -3/4	4	4	U000400	SCREW, HC 3/8-16 X 0.75
4	1	8040786	ELBOW, TANK OUTLET	4	4	U210060	WASHER, LOCK 3/8"
5	1	8030531	SWITCH FLUID LEVEL SPOIL TANK	27	1	8030038	VAC PIVOT BAR HOLD TANK 500 GL
	1	8040769	SWITCH FLUID LEVEL TUBE	2	2	8030363	RING SPIRAL SNAP 2"
	1	8041291	BUSHING, RUBBER	28	1	8041765	SEAL DOOR SQUARE
6	1	X000113	1/2" STRAIN RELIEF 1/2NPT .25-.375	29	1	8042064	DOOR 500 HYD LOCK
7	1	8043139	STROBE LIGHT	1	1	8040058	DOOR HINGE ROD
8	1	8043318	STROBE LIGHT BRACKET	6	6	U200171	WASHER, FLAT 1"
	4	U000880	SCREW, HC 1/2"-13 X 2"	2	2	U500020	SNAP RING SHAFT 1.00 SHAFT
	3	U010006	SCREW, PHILLIPS #10-24 X 1"	30	1	8041661	INLET TUBE
	3	U210005	WASHER, LOCK #10	31	1	8030916	VALVE, GATE 4"
	3	U100010	NUT, HEX #10-24	32	1	8032005	COUPLING, 4" ALUM FEM CAMLOCK
*	1	X200003	TANK HARNESS	1	1	8032007	GASKET, 4" FLAT ALUM COUPLER
9	1	8041509	TANK CLEARANCE LIGHT	34	1	8032007	GASKET, 4" FLAT ALUM COUPLER
10	1	8043111	WORK LIGHT	35	1	8031048	SIGHT GLASS, 5" GLASS ONLY
11	1	8041635	HYD ARM GUARD	36	1	8031047	PLATE SIGHT GLASS
12	2	W000020	CAM ROLLER 1 1/4"	37	1	8031046	SCREW, HAND WHEEL, SIGHT GLASS
	2	U160019	1/2"-20 NY-LOCK NUT	38	1	8041626	PIN HITCH 1" X 4 1/2"
13	2	8041602	2" BUSHING BRONZE 2"	1	1	8041485	CABLE, LANYARD ASSY.
14	2	8041621	OUTER BEARING PLATE	39	1	8041212	TANK SAFETY BRACE
	8	8042008	PLATE TANK BOOM GUSSET	1	1	8041213	SAFETY SNAP PIN
	8	U000840	SCREW, HC 1/2"-13 X 1 1/2"				
	8	U210100	WASHER, 1/2" LOCK				
	8	U200100	WASHER, 1/2" FLAT				
15	2	8041724	1-1/2" FLANGED BUSHING				
16	1	8041369	DOOR HYD LINKAGE				
	1	8041770	PLASTIC WEAR PLATE				
	2	U010800	SCREW, SFH 1/4"-20 X 3/4"				
17	8	8041524	BUSHING BRONZE 1.25X1.0X.75				
18	6	8042489	CYLINDER PIN				
	6	U340050	PIN LYNCH 3/16X1-9/16				
19	1	8041375	DOOR HYD LINKAGE				
	1	8041770	PLASTIC WEAR PLATE				
	2	U010800	SCREW, SFH 1/4"-20 X 3/4"				
20	2	8042171	DOOR CAPTURE PIN				
	2	U000400	SCREW, HC 3/8-16 X 0.75				
	2	U210060	WASHER, LOCK 3/8"				
21	2	8041524	BUSHING BRONZE 1.25X1.0X.75				
22	2	8043131	ROD END 1"-8X6"				
	12	U200171	WASHER, FLAT 1" SAE				
23	2	8041327	CYLINDER HYD DOOR REV FLOW				
	4	T400611	REDUCER 1/2"MB - 1/4" MJ				
	2	8043303	HOSE ASSY VAC 4-36 ST-ST				
	2	8043304	HOSE ASSY VAC 4-47 ST-ST				
	2	8043305	HOSE ASSY VAC 4-67 ST-ST				
	2	T402035	TEE 1/4 MJ - 1/4 MJ - 1/4 MJ				
24	2	8041604	SHORT LINKAGE WELDMENT				

# Power Pack Assembly

# V500HD



VACASSY106

# Power Pack Assembly

# V500HD

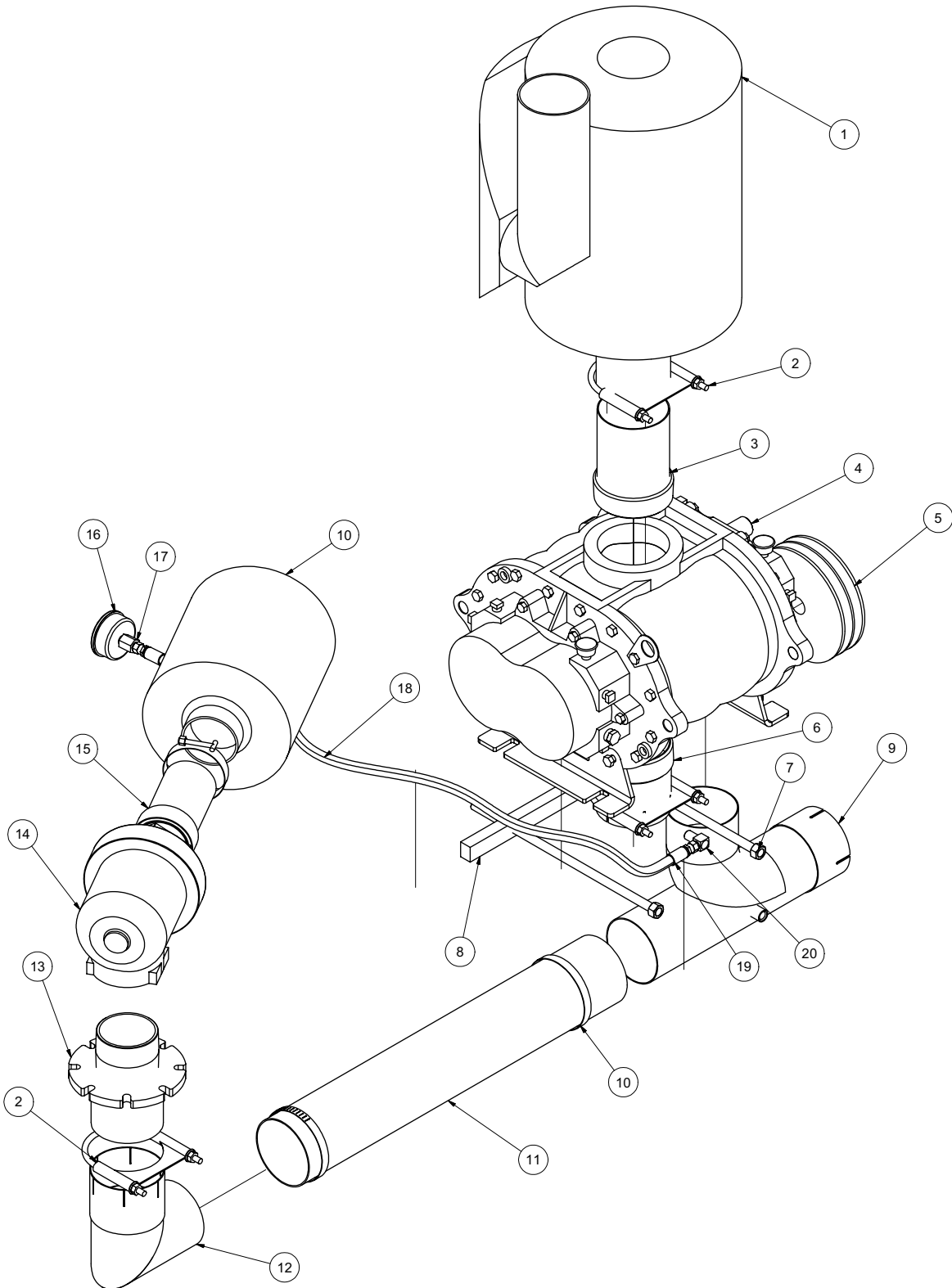
ITEM	QTY	NUMBER	DESCRIPTION
1	1	8040694	DRIP PAN, 73HP HD/JETTER POWER PACK
	8	U000040	SCREW, HC 1/4 - 20 X .750
	8	U210020	WASHER, LOCK 1/4"
	8	U200020	WASHER, FLAT 1/4"
2	1	8040645	TANK COOLANT OVERFLOW 1 GAL.
	3	U000040	SCREW, HC 1/4"-20 X 3/4"
	6	U200020	WASHER,FLAT 1/4"
	3	U210020	WASHER, LOCK 1/4"
	3	U100020	NUT, HEX 1/4"-20
3	1	8040577	OVERFLOW BRACKET
	2	U000817	SCREW, HC 1/2"-13 X 1"
	2	U210100	WASHER, LOCK 1/2"
	2	U200100	WASHER, FLAT 1/2"
4	1	X000112	STRAIN RELIEF, 3/4" CONN/EXT.
	1	X000109	STRAIN RELIEF, 3/4"
	1	X000108	NUT LOCK STRAIN RELIEF
5	1	8040486	PUMP HYD. 12V VAC 3QT.
**	1	8041601	PUMP HYD. 12V VAC 6QT.
	2	U000420	SCREW, HC 3/8"-16 X 1"
	2	U210060	WASHER, LOCK 3/8"
	2	U200600	WASHER, FLAT 3/8"
6	2	T400391	BULKHEAD 3/8 MJ-3/8 MJ
7	2	T400037	UNION 3/8MB-3/8MJ
8	2	8040973	HOSE ASSY VAC 6-20 ST-90
9	1	8043484	HOSE VAC FUEL 5/16-21
	1	8043471	HOSE VAC FUEL 5/16-24
	1	8043485	HOSE VAC FUEL 5/16-68
	4	U800015	CLAMP, HOSE 04 - 5/8"
10	1	8041474	HOSE VAC FUEL 5/16-18
	2	U800015	CLAMP, HOSE 04 - 5/8"
11	1	8030908	KUBOTA 73HP
	1	8030908-1	MUFFLER
	4	U000820	SCREW, HC 1/2"-13 X 1 1/4"
	4	U210100	WASHER, LOCK 1/2"
	4	U200100	WASHER, FLAT 1/2"
12	1	8041053	FILTER FUEL KUBOTA 73HP
13	1	8040482	SHEAVE 8.35 DIA 2 GROOVE
	1	8040483	BUSHING 1 7/16" SK
	1	U410125	KEY 3/8" X 3/8" X 2"
14	2	8041027	BELT BX54
15	1	8040480	SHEAVE 4.15 OD SH ENGINE
	1	8040481	BUSHING 1 7/16" SH
	1	U410125	KEY 3/8" X 3/8" X 2"
16	2	8041082	Belt AX48
17	2	8040684	BATTERY HOLD DOWN ROD
18	2	U130040	NUT, WING 3/8"-16
19	1	8050016	STRAP FOR BATTERY
20	1	X400050	BATTERY 31-MHD WORKAHOLIC
	1	X300236	CABLE BATTERY 35" X 1GA.
	1	X300242	CABLE BATTERY 48" X 1GA.
	3	X300218	CABLE BATTERY 18" X 1GA.
21	1	8041054	FILTER AIR KUBOTA 73HP PRIMARY
		8041055	FILTER AIR KUBOTA 73HP INNER
22	1	8032002	FILTER OIL KUBOTA 73 HP
23	1	8041056	PUMP, ELECTRIC FUEL
*	4	8030904	ISOLATOR VAC PP 73HP
	4	U001320	SCREW, HC 5/8-11 X 4
	4	8030851	WASHER, SNUBBING
	4	U210140	WASHER,LOCK 5/8
	4	U100180	NUT, HEX 5/8-11
	8	U000420	SCREW,HC 3/8-16 X 1
	16	U200060	WASHER,FLAT 3/8
	8	U210060	WASHER,LOCK 3/8
	8	U100060	NUT,HEX 3/8-16

\* NOT SHOWN      \*\* OPTION

VACASSY106

# Blower Assembly

# 73HP 1025



030509

VACASSY207



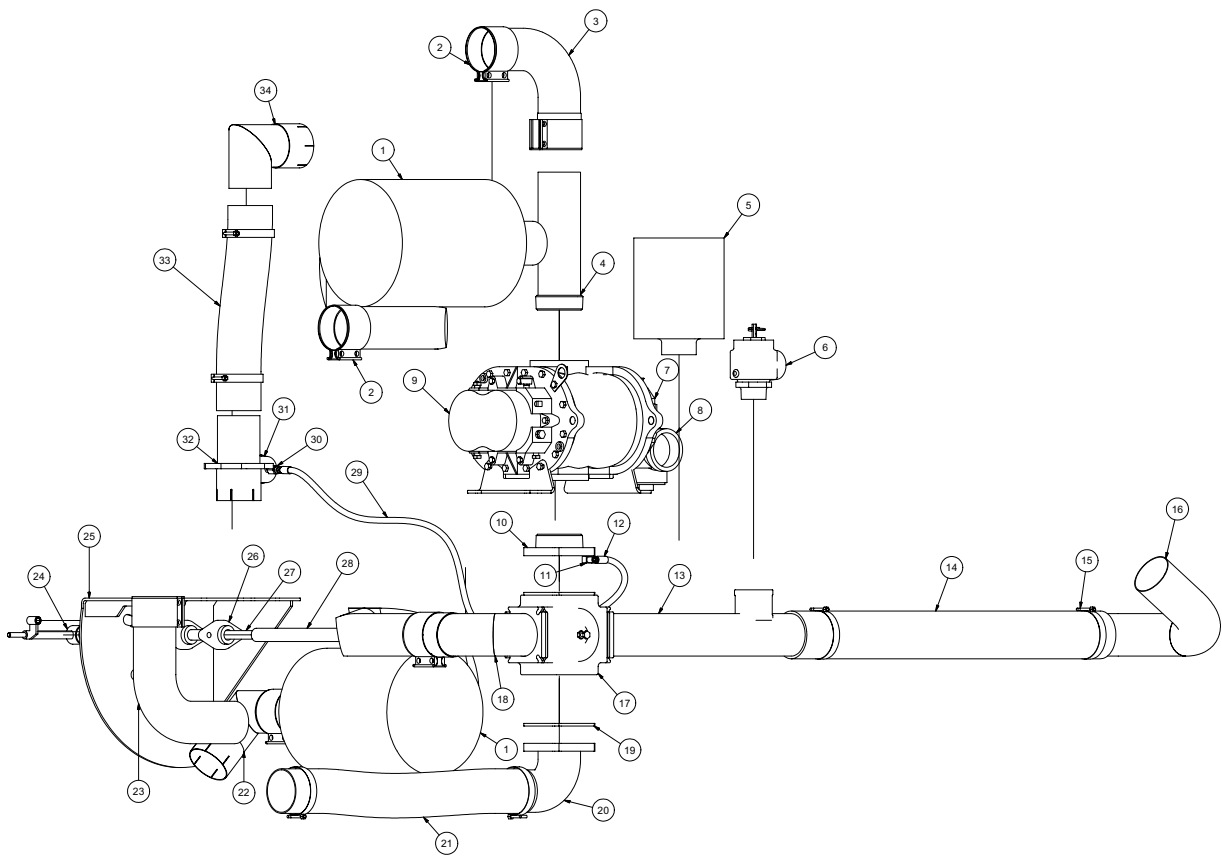
# Blower Assembly

## 73HP 1025

ITEM	QTY	NUMBER	DESCRIPTION
1	1	8030917	SILENCER, 1025CFM, COWL
2	3	8031193	4IN U-BOLT EXHAUST
3	1	8045239	UNION EXHAUST 4"OD - MNPT
4	1	8040001	BLOWER (MODEL 59)
	4	U000817	SCREW, HC 1/2"-13 X 1"
	4	U210100	WASHER, LOCK 1/2"
	4	U200100	WASHER, FLAT 1/2"
5	1	8040484	SHEAVE 6.95DIA. 2-GROOVE
	1	8040485	BUSHING 1 1/8" SDS
	1	U410090	KEY 1/4" X 1/4" X 2 3/4"
	2	8044517	BX 57 BELT
6	1	8040991	ADAPTER 4" MNPT - 4"ID
7	2	8040751	ROD TIGHTENER WELDMENT
8	1	8040904	TENSION BLOCK 1025CFM
9	1	8045036	WYE 4" IDOD/ W 1/4" PORT
10	2	8042606	CLAMP T-BOLT 4" (450)
11	1	8045344	HOSE VAC AG SUCTION 4-31
12	1	8045331	4" ELBOW 90DEG WELDMENT ID-OD
13	1	8045333	BRACKET VACUUM RELIEF 1025
14	1	8030866	BAYCO VALVE 1025
15	1	8045238	UNION EXHAUST 3"OD - MNPT
16	1	8030372	WATER PRESSURE GAUGE 1/4NPT
17	1	8030483	UNION 4FP-4MJ
18	1	8042355	HOSE ASSY VAC 4-60 ST-ST
19	2	T320030	FITTING, HOSE 4HO-4FJ
20	1	T401100	ELBOW 4MP-4MJ 90DEG

# Blower Assembly

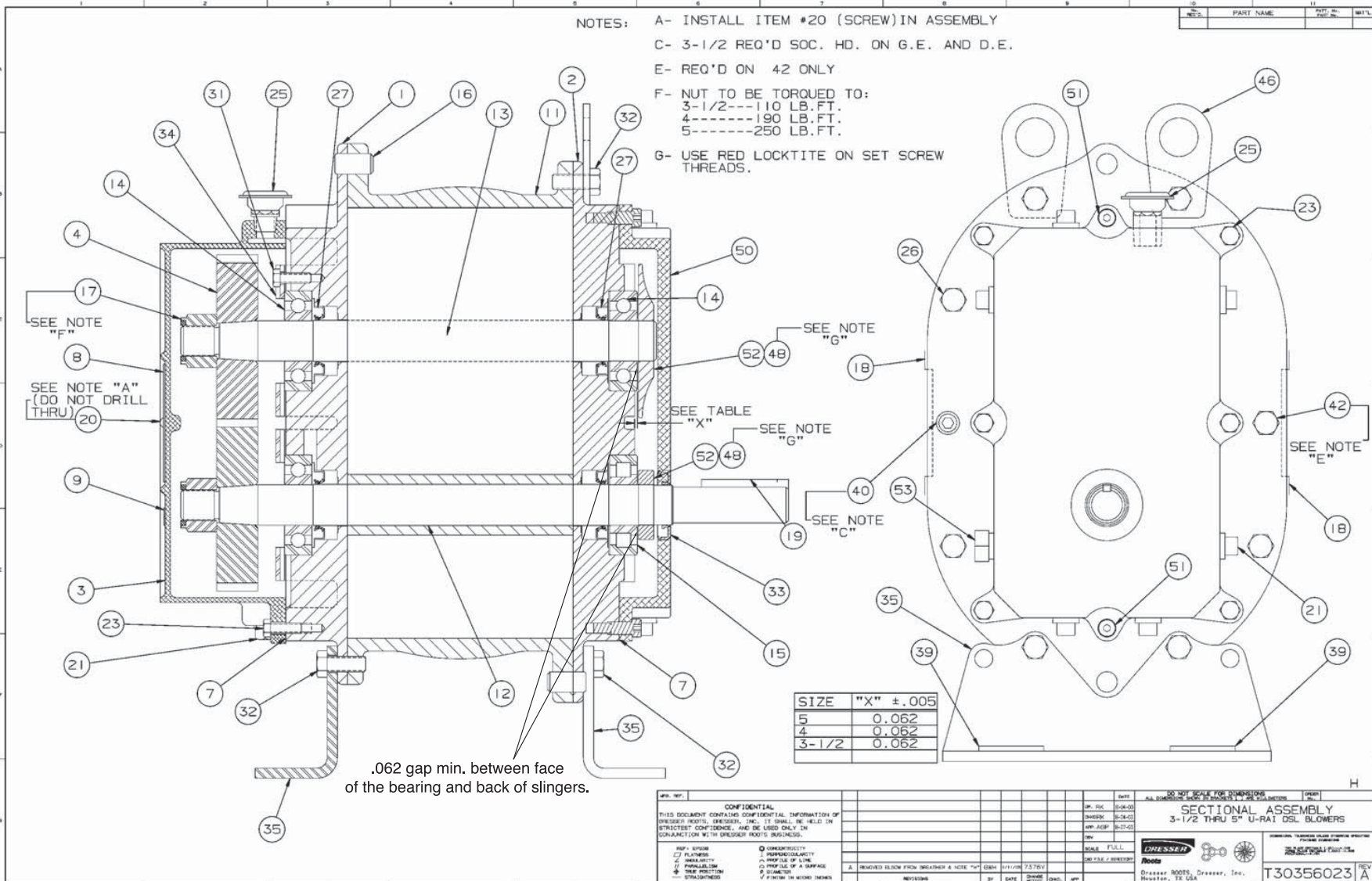
# 73HD REV FLOW



# Blower Assembly

# 73HD REV FLOW

ITEM	QTY	PART NO.	DESCRIPTION
1	2	8030917	SILENCER, 1025 CFM, COWL
2	6	8030400	4" BAND CLAMP
3	1	8040929	4IN ELBOW ID-OD 8"LG
4	1	8045018	4" EXHAUST TUBE ADAPTER WELD'T
5	1	8043553	FILTER AIR 3" 245 CFM
6	1	8041034	PRESSURE RELIEF 1025
7	1	8040484	SHEAVE 6.95DIA 2 GROOVE
*	1	8040703	SHEAVE 6.15OD SDS 2-GROOVE (OPTIONAL JETTER)
	1	8040485	BUSHING 1 1/8" SDS
	1	U410090	KEY 1/4" X 1/4" X 2 3/4"
8	1	8030866	KUNKLE VALVE, 1025 CFM
9	1	8040001	BLOWER (MODEL 59)
	4	U000817	SCREW, HC 1/2" - 13 X 1"
	4	U210100	WASHER, LOCK 1/2"
	4	U200100	WASHER, FLAT 1/2"
10	1	8044330	REV FLOW 4" HEADER NIP ASSY
11	1	T401100	ELBOW, 4MP - 4MJ 90
12	2	T320030	FITTING, HOSE 4HO - 4FJ
13	1	8044208	REV FLOW SKID HEADER WELD'T
14	1	8044650	HOSE ASSY VAC 4-96 ST-ST
15	6	8042606	CLAMP T-BOLT 4" (450)
16	1	8044451	EXHAUST ELBOW TANK PIVOT 4"
17	1	8041177	4IN 4-WAY VALVE
18	1	8045271	AIR RELEASE ELBOW W/FLANGE
19	4	8043554	GASKET 4-WAY VALVE 4"
20	1	8044636	4' ELBOW 90 OD-FLANGE (3"RAD)
21	1	8043841	HOSE ASSY VAC 4-25 ST-ST
22	1	8044789	AIR RELEASE ELBOW CONNECTOR
23	1	8041814	ELBOW, 4" (4.5"RAD, OD-OD)
24	1	8041617	SPRING PLUNGER HOLDER WELD'T
25	1	8044368	REV FLOW FACEPLATE BRACKET
26	2	W030080	FLANGE BEARING - 2 BOLT (1"BORE)
27	1	8044365	REV FLOW SHAFT EXT (SHORT) WELD'T
28	1	8044362	REV FLOW SHAFT EXT (LONG) WELD'T
29	1	8044833	HOSE ASSY VAC 4-73 ST-90
30	1	8030483	UNION 4FP-4MJ
31	1	8030372	WATER PRESSURE GAUGE 1/4NPT
32	1	8044766	BRACKET 4" ID - 4"OD W/FLANGE
33	1	8044268	HOSE ASSY VAC 4-22 ST-ST
34	1	8044114	4" ELBOW 90 WELD'T ID-OD



Assembly of URAI DSL Blowers with Splash Lubricated Drive End 3-5" Gear Diameter

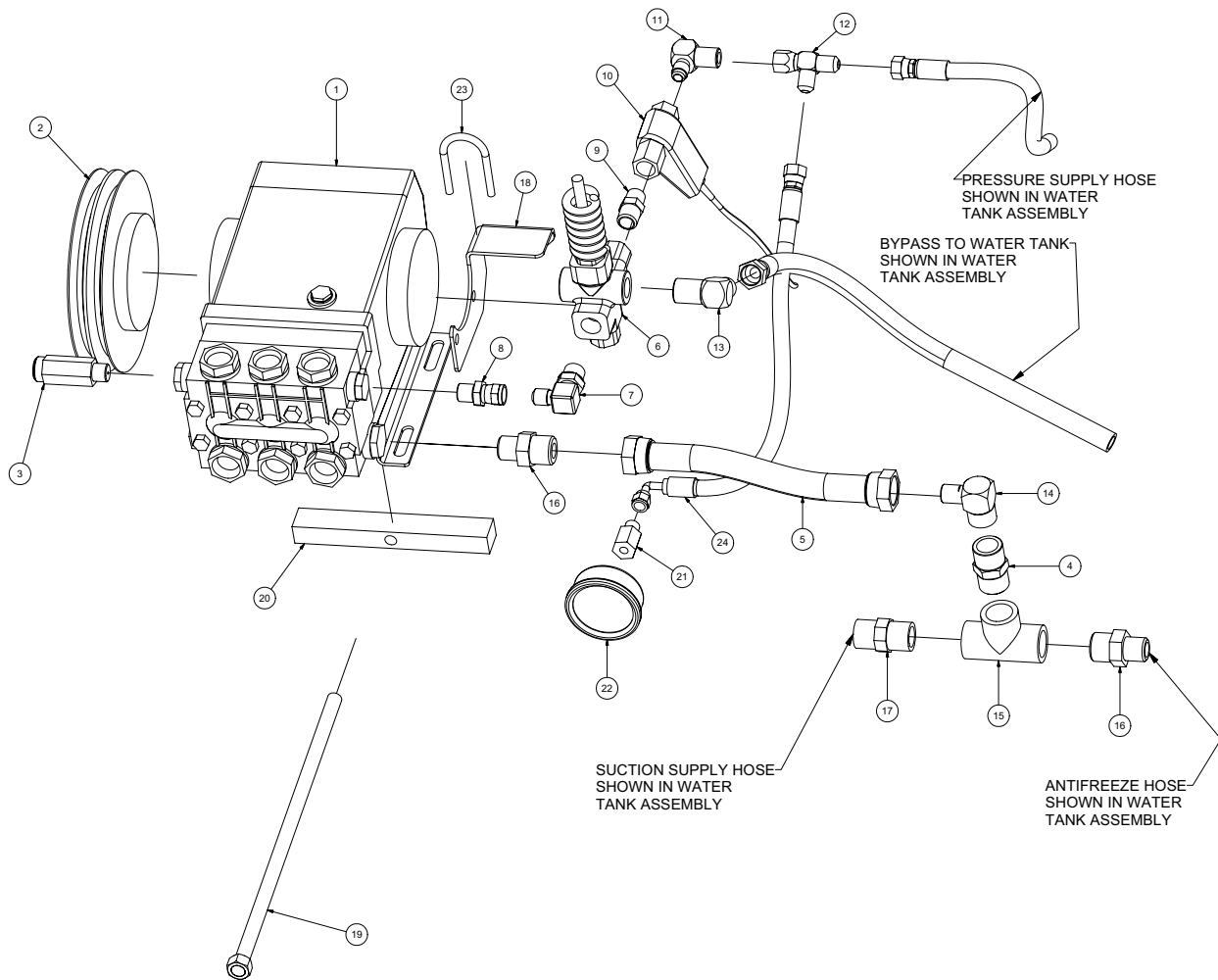
**URAI-DSL Splash Lubricated Blowers  
4" Gear Diameter**

<b>Item #</b>	<b>Qty</b>	<b>Part #</b>	<b>Description</b>
1	1	8041250-1	Headplate Gear End
2	1	8041250-2	Headplate Drive End
3	1	8041250-3	Gearbox
4	2	8041250-4	Timing Gears
7	1	8041250-7	Gasket, Gear Box, DE Cover
11	1	8041250-11	Cylinder
12	1	8041250-12	Impeller & Shaft Drive
13	1	8041250-13	Impeller & shaft Driven
14	3	8041250-14	Bearing, Ball
15	1	8041250-15	Bearing, Roller
16	4	8041250-16	Pin, Dowel
17	2	8041250-17	Gear Nut
19	1	8041250-19	Key
21	3	8041250-21	Plug, Pipe
23	6	8041250-23	Screw Hex
25	1	8041250-25	Breather (Plug Vent)
26	*	8041250-26	Screw, Hex
27	4	8041250-27	Seal, Lip Bearing
31	4	8041250-31	Screw, Hex, Nylock
32	6	8041250-32	Screw, Hex
33	1	8041250-33	Seal Lip-Drive
34	2	8041250-34	Clamp Plate
35	2	8041250-35	Foot
39	4	8041250-39	Washer Mounting
40	2	8041250-40	Screw Socket
42	2	8041250-42	Screw Hex
48	4	8041250-48	DE Oil Slinger Set Screw
50	1	8041250-50	Drive End Cover
52	2	8041250-52	Drive End Oil Slinger
53	2	8041250-53	Oil Sight Glass

\*Quantities vary by blower.

# Water Pump Assembly

# 5.6 GPM



# Water Pump Assembly

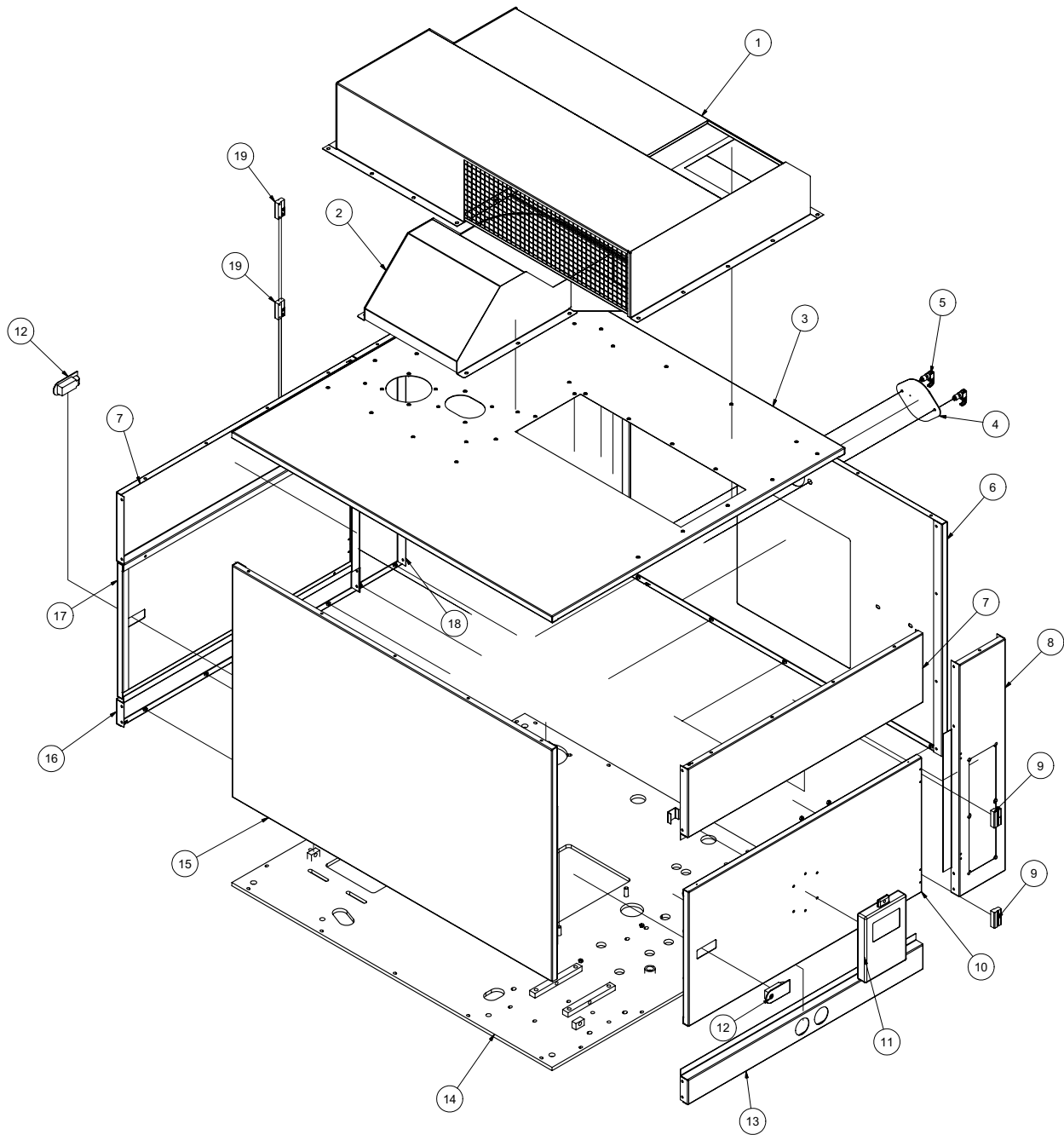
## 5.6 GPM

ITEM	QTY	PART NO.	DESCRIPTION
1	1	8031279	WATER PUMP
	4	U000420	SCREW, HC 3/8"-16 X 1"
	4	U210060	WASHER, LOCK 3/8"
	4	U200600	WASHER, FLAT 3/8"
2	1	8030961	WATER PUMP CLUTCH
	1	U410094	KEY 5/16" X 5/16" X 1 3/8"
*	2	8034157	AX 39 BELT
3	1	8030340	SAFETY RELIEF VALVE 6GPM
4	1	T400080	REDUCER 12MP-8MJ
5	1	8040972	HOSE VAC PUSH 12-8 1/2
	2	8030525	FITTING, HOSE #12FJ PUSH LOCK
6	1	8030341	VALVE, UNLOADER, GREEN SPRING
7	1	T401140	ELBOW, 90 1/2"MP-1/2"MJ
8	1	T401125	REDUCER, 3/8MP-1/2FJ
9	1	T400805	REDUCER, 1/2 MP - 3/8 MP
10	1	8031267	FLOW SWITCH
11	1	T401102	ELBOW, 90 6MJ-6MP
12	1	T402153	TEE 6MJ 6MJ 6FJ
13	1	T401140	ELBOW, 90 8MP 8MJ
14	1	T401160	ELBOW, 90 3/4 MJ - 1/2 MJ
15	1	T402160	TEE, 3/4FP-3/4FP-3/4FP
16	2	T400080	REDUCER, 12MP 8MJ
17	1	T400100	UNION, 12MP 12MJ
18	1	8043859	WATER PUMP FILTER BRACKET
19	1	8040751	ROD TIGHTENER WELD'T
20	1	8040893	TENSIONER BLOCK, ADJUSTING
21	1	T400110	UNION, 1/4FP-1/4MJ
22	1	8030372	WATER PRESSURE GAUGE 1/4NPT
23	N/A	U010019	U-BOLT 1/4-20 2.25 TALL
24	1	8044125	HOSE VAC PUMP TO GAUGE 4-24 ST-90

\* NOT SHOWN

# Enclosure Assembly

# 73 HP



052109

VACASSY406



# Enclosure Assembly

# 73 HP

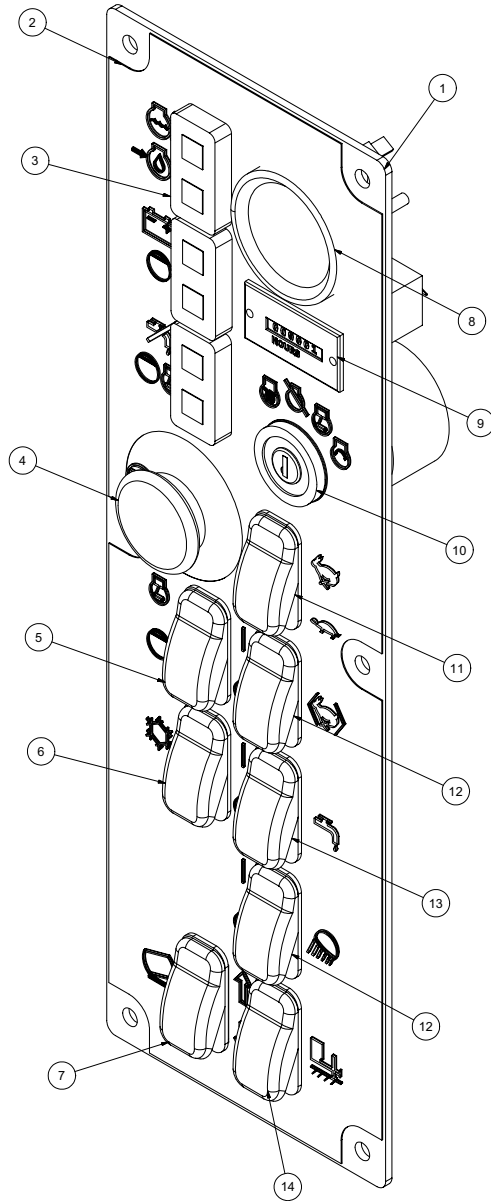
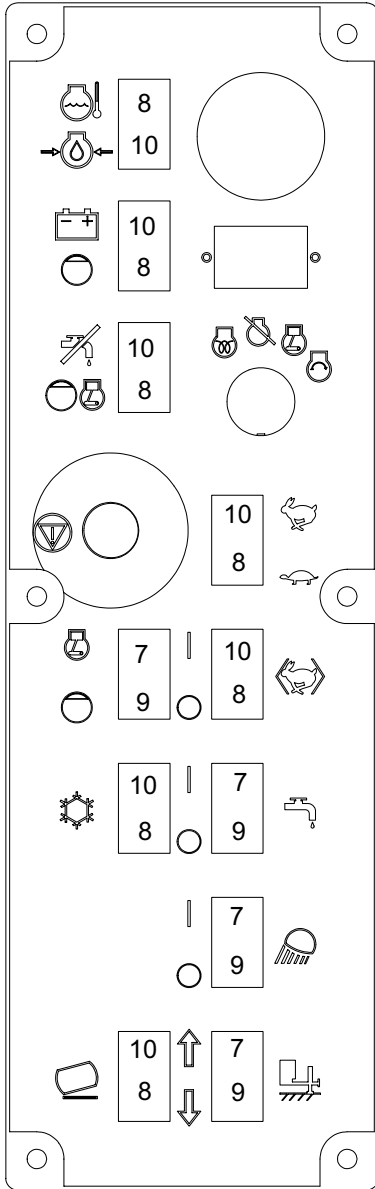
ITEM	QTY	PART #	DESCRIPTION
1	1	8044271	INLET OUTLET BOX
2	1	8044283	EXHAUST SHEILD
3	1	8044250	73HP- PANEL TOP WELDMENT
4	1	8040592	ENCLOSURE RADIATOR COVER
5	2	8040334	SWELL LATCH
6	1	8044248	73HP- PANEL FRONT WELDMENT
7	2	8044257	73HP- PANEL SIDE UPPER WELDMENT
8	1	8043614	49VK VERTICAL CONTROL WELDMENT
9	2	8040588	OFFSET HINGE TYPE "A"
10	1	8044260	73HP- PANEL DOOR for MANUAL BOX
11	1	8030689	BOX, PLASTIC for SAFETY MANUAL
12	2	8040586	SEALED LEVER LATCH
13	1	8044262	73HP- PANEL SIDE LWR GAUGES WELDMENT
14	1	8044242	73HP- MAIN PLATE WELDMENT
15	1	8044252	73HP- PANEL REAR WELDMENT
16	1	8044254	73HP- PANEL SIDE LOWER WELDMENT
17	1	8044258	73HP- PANEL DOOR
18	1	8043922	49VK PANEL SIDE VERTICAL BLANK WELDMENT
19	2	8040589	OFFSET HINGE TYPE "B"
*	20	U000060	SCREW, HC 1/4-20 X 1
*	36	U000020	SCREW, HC 1/4-20 X 1/2
*	112	U200020	WASHER, FLAT 1/4"
*	36	U120100	NUT, HEX LOCK 1/4"
*	1	8041171	HANDLE
	2	U001017	SCREW, HSH 1/4-20 X 1.25
	2	U200020	WASHER, FLAT 1/4"
	2	U120100	NUT, HEX LOCK 1/4-20
*	2	8041504	DOOR SEAL VERTICAL

\* NOT SHOWN

052109

VACASSY406

# Control Panel



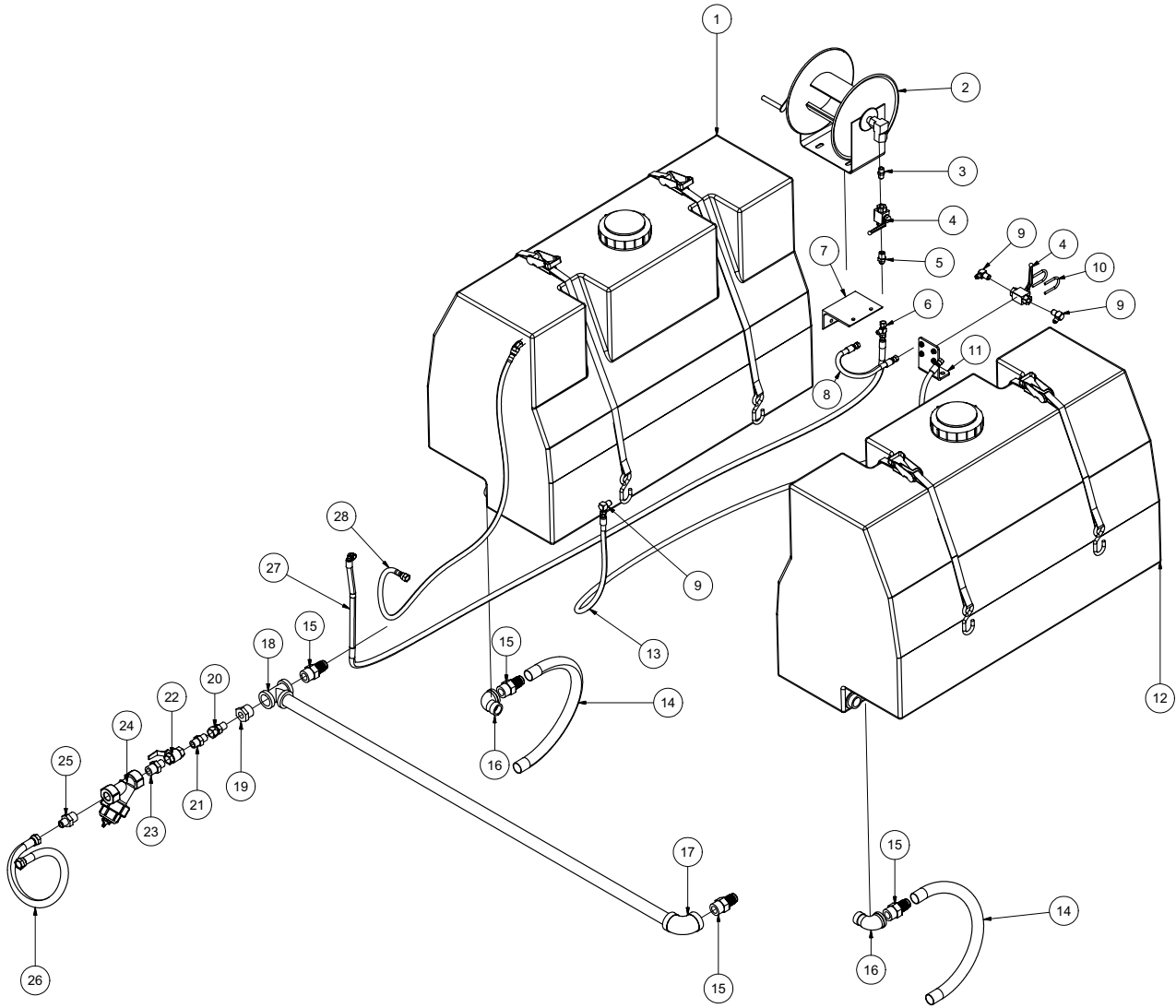
# Control Panel

ITEM	QTY	PART NO.	DESCRIPTION
1	1	8043128	CONTROL PANEL - MAIN PLATE
2	1	J200031	DECAL - CONTROL PANEL
3	3	X000260	LIGHT LED DUAL PANEL
4	1	X000280	E-STOP
5	1	X000273	ROCKER SWITCH SPST (ON) NONE -OFF
6	1	X000272	ROCKER SWITCH DPST (ON) NONE -ON
7	1	X000274	ROCKER SWITCH DPDT (ON) OFF (ON)
8	1	X100001	FUEL GAUGE
9	1	X000300	HOUR METER
10	1	8030458	IGNITION SWITCH
11	1	X000271	ROCKER SWITCH DPST ON - ON
12	2	X000270	ROCKER SWITCH SPST ON -OFF
13	1	X000270	ROCKER SWITCH SPST ON -OFF
	1	X000271	ROCKER SWITCH DPST ON -ON
14	1	X000290	ROCKER SWITCH PLUG
	1	X000274	ROCKER SWITCH DPDT (HYD. JACK OPTION)
*	1	8030829	KEY, IGNITION - KUBOTA

\* NOT SHOWN

# Water Tank Assembly

# V500HD



VACASSY603

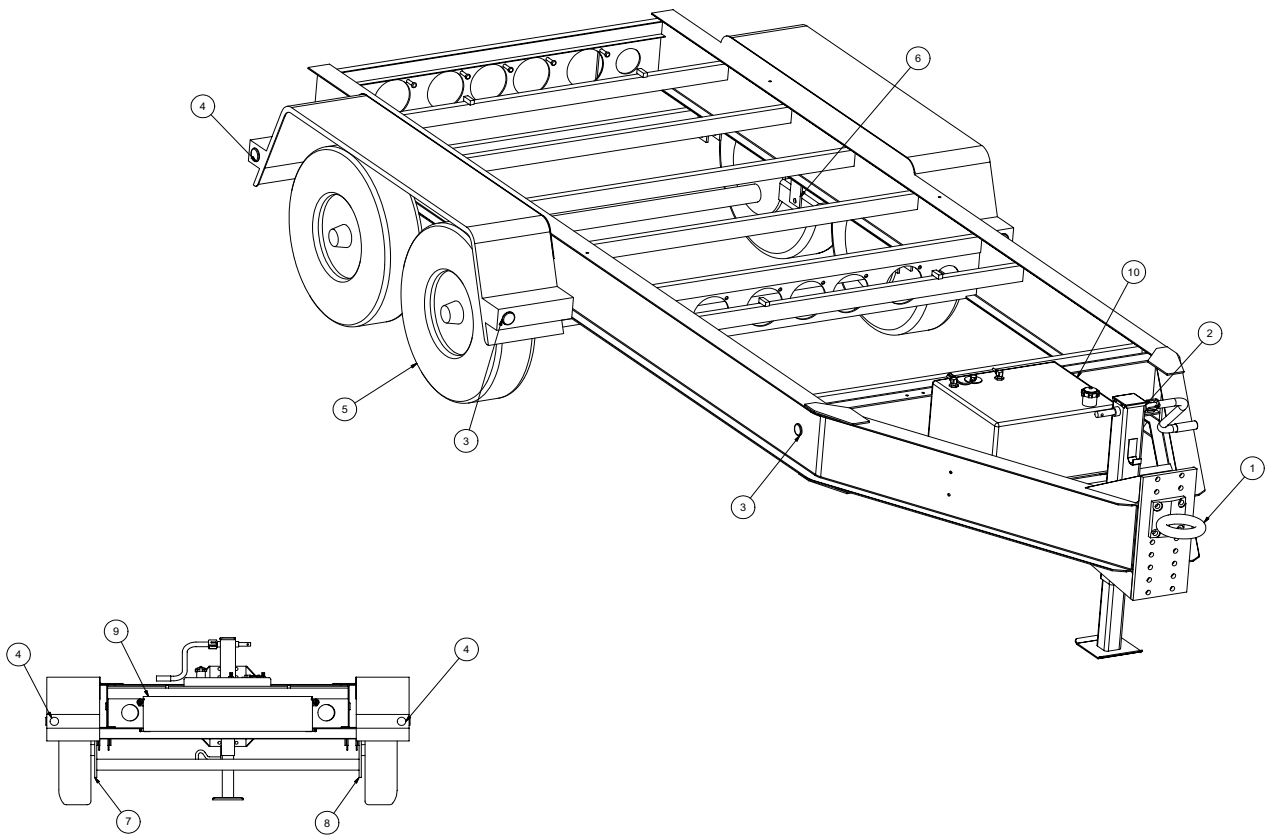
# Water Tank Assembly

# V500HD

ITEM	QTY	NUMBER	DESCRIPTION
1	1	8040782-1	125 GALLON WATER TANK (CURBSIDE)
	2	8040084	STRAP RATCHET 50/125 SADL TANK
	1	8041119	LID 125 GAL. TANK
	1	8030343	SWITCH, WATER SHUTOFF
2	1	8030346	REEL, ONLY SM WATER HOSE
	4	U000420	SCREW, HC 3/8"-16 X 1.0
	8	U200060	WASHER, FLAT 3/8"
	4	U210060	WASHER, LOCK 3/8"
	4	U100060	NUT, HEX 3/8"-16
3	1	T400803	UNION, 3/8" MP-3/8" MP
4	2	8030351	VALVE, BALL 3/8" RATE 3K PSI
5	1	T400028	UNION, 3/8" MP-3/8" MJ
6	1	T402153	TEE, 3/8" FJ-3/8" MJ-3/8" MJ
7	1	8040876	HOSE REEL BRACKET
	2	U000420	SCREW, HC 3/8"-16 X 1.0
	4	U200060	WASHER, FLAT 3/8"
	2	U210060	WASHER, LOCK 3/8"
	2	U100060	NUT, HEX 3/8"-16
8	1	8041061	HOSE ASSY VAC 6-9 ST-ST
9	3	T401102	ELBOW, 90 3/8" MP-3/8" MJ
10	2	U010017	U-BOLT, 1 1/2" X 1/4-20 UNC
	4	U120100	NUT, LOCK 1/4-20
	4	U200020	WASHER, FLAT 1/4"
11	1	8040670	BALL VALVE BRACKET
12	1	8040782	125 GALLON WATER TANK (STREETSIDE)
	2	8040084	STRAP RATCHET 50/125 SADL TANK
	1	8041119	LID 125 GAL. TANK
13	1	8041062	HOSE ASSY VAC 6-112 ST-ST
14	2	8041523	HOSE VAC CLEAR VINYL 1 1/4-24
15	4	8041312	FITTING, HOSE BARB 1 1/4
16	2	8041311	ELBOW, 90 1 1/4 STREET EL GALVAN
17	1	8041309	ELBOW, 90 1.25 FP X 1.25 FP GALVAN
18	1	8041310	TEE, 1 1/4FP-1 1/4FP-1 1/4FP
19	1	T403100	REDUCER, 1-1/4" MP-3/4" FP
20	1	T400101	UNION, 3/4" FJ-3/4" MP
21	1	T400100	UNION, 3/4" MP-3/4" MJ
22	1	T000185	VALVE, BALL 3/4" FNPT BRASS
23	1	T404060	UNION, 1" MP-3/4" MP
24	1	8040186	STRAINER
25	1	T400450	REDUCER, 1" MP-3/4" MJ
26	1	8041058	HOSE VAC PUSH 12-36
	2	8030525	FITTING, HOSE #12FJ PUSH LOCK
27	1	8041060	HOSE ASSY VAC 6-120 ST-90
28	1	8041465	HOSE VAC PUSH 8-66
	2	8030524	FITTING PUSH LOCK #8
	1	8030518	1/2" BULKHEAD 45 DEG.

VACASSY603

# Trailer Assy 514



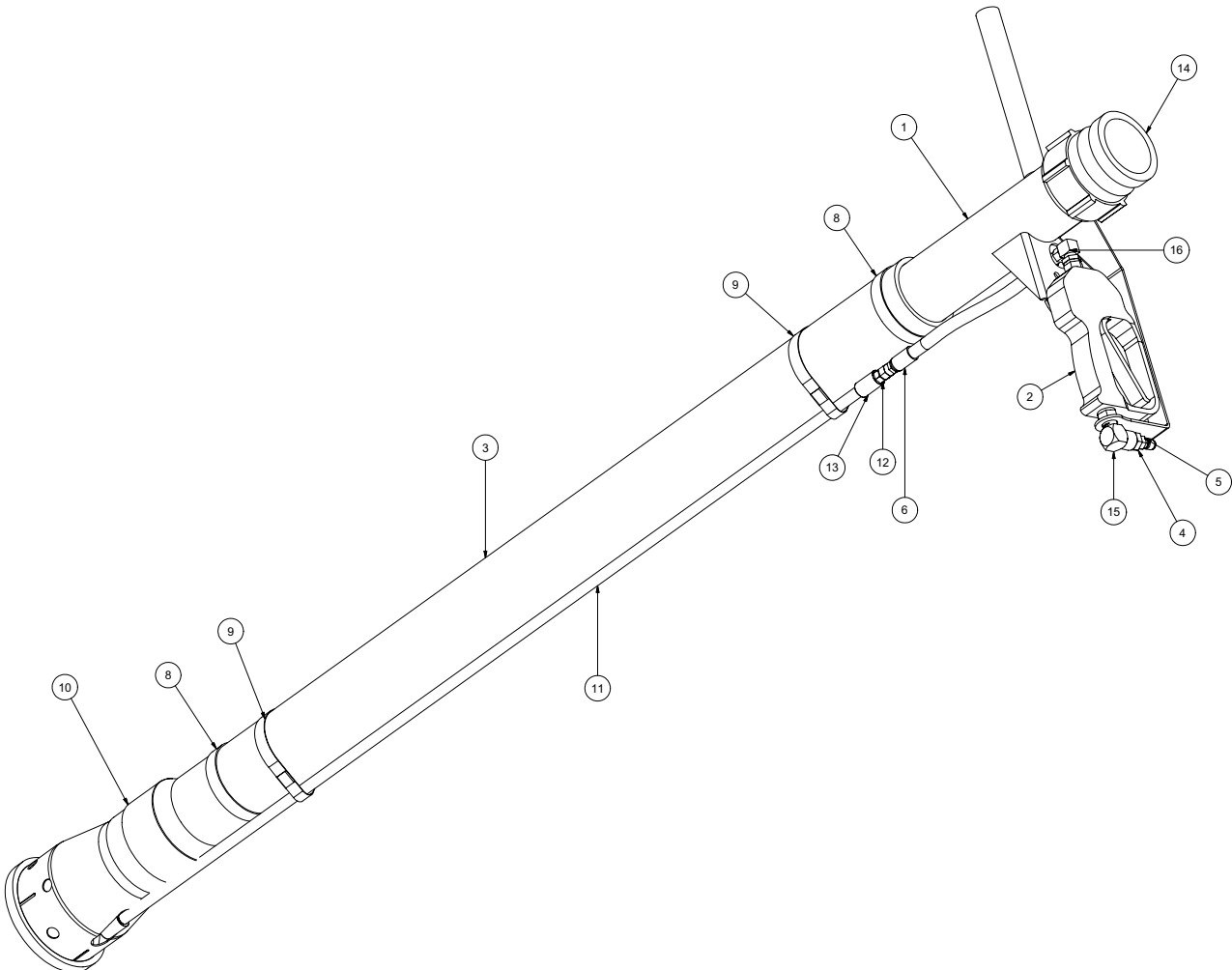
# Trailer Assy 514

ITEM	QTY	PART #	DESCRIPTION
1	1	8045366	4 BOLT PINTLE EYE
2	1	8043548	JACK - MANUAL
	1	8043984	JACK - HANDLE
		8043653	JACK - HYDRAULIC (OPTIONAL)
3	4	8044000	2" YELLOW MARKER LIGHT
	4	8044002	2" RUBBER GROMMET
4	4	8043999	2" RED MARKER LIGHT
	4	8044002	2" RUBBER GROMMET
5	4	8045708	TIRE, ST235 X 80 R16E
	4	8045709	WHEEL
	2	8045710	AXLE
	4	8045711	HUB
	32	8043987	LUG NUT
	4	8047429	GREASE CAP
6	4	8045712	SPRING
	8	8045713	U-BOLT NUT
	8	8045714	U-BOLT
	4	8045715	TIE PLATE
7	1	8045716	LH BRAKE ASSEMBLY
	2	8045717	MAGNET KIT
	2	8045718	SHOE KIT
	1	8045719	ADJUSTER KIT
8	1	8045720	RH BRAKE ASSEMBLY
	2	8045717	MAGNET KIT
	2	8045718	SHOE KIT
	1	8045719	ADJUSTER KIT
9	1	8044809	TAILGATE WELDMENT
	2	U340050	PIN LINCH 3/16" X 1 9/16
	2	U000420	SCREW, HEX 3/8"- 16 X 1.25
	4	U200600	WASHER, FLAT 3/8"
10	1	8040763	FUEL TANK (22 GAL)
	1	8043359	STRAP W/EYEBOLT
	1	36201441	FUEL CAP
	1	8030697	FUEL SENDING UNIT
	1	8030656	FUEL FILTER
*	1	8043981	SAFETY CHAIN
*	1	8043982	BREAKAWAY SWITCH
*	1	8043983	BREAKAWAY BATTERY
*	1	8044008	BREAKAWAY BOX
*	1	8044007	6-WAY PLUG

\* NOT SHOWN

# Tools

# Reduction Tool STD





# Tools

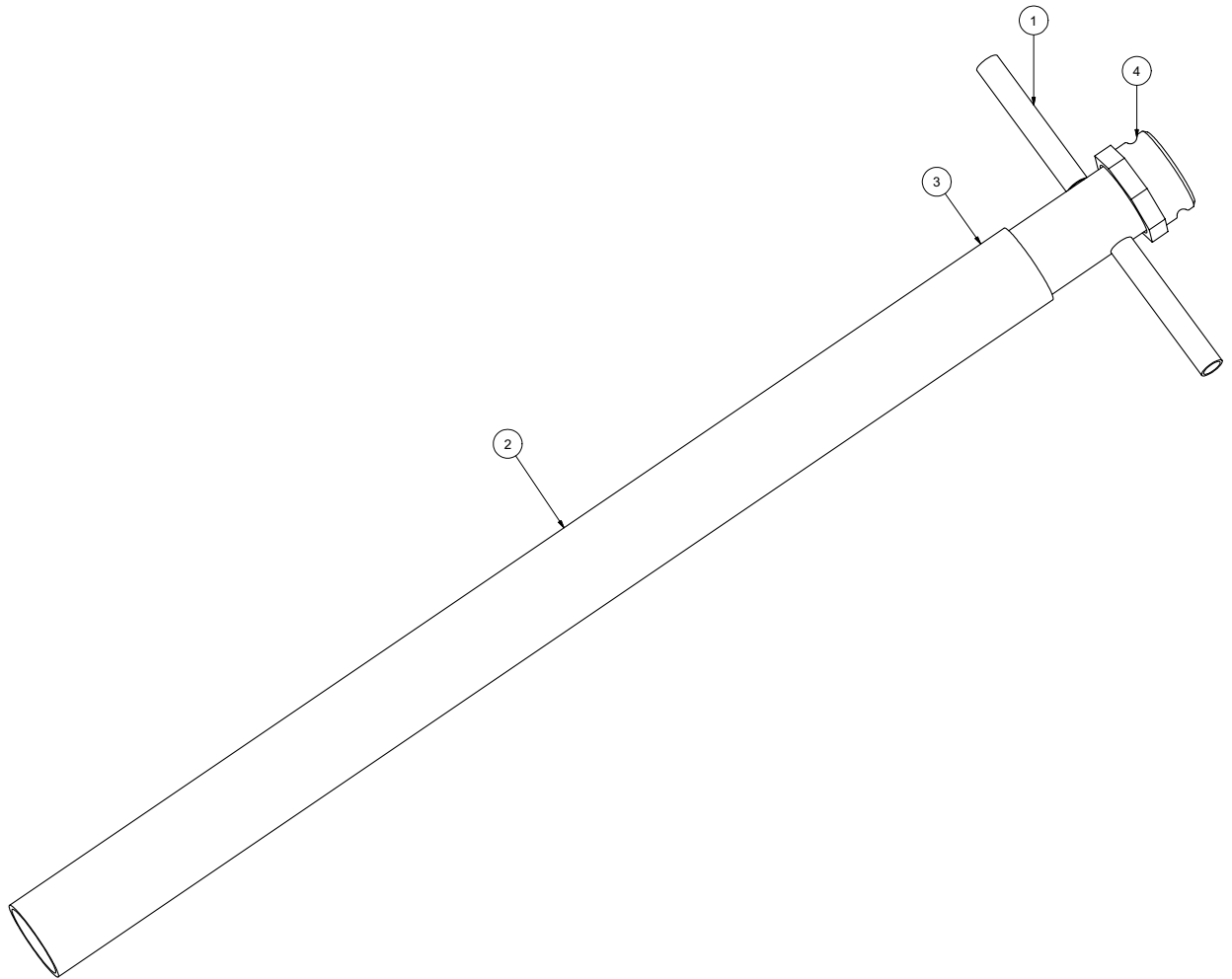
# Reduction Tool STD

ITEM	QTY	PART NO.	DESCRIPTION
-	-	8043115	TOOL VAC REDUCTION STD COMPLETE
1	1	8042862	TOOL VAC HEAD ASSY 3"
2	1	8042026	STRAIGHT SPRAY GUN
3	1	8042811	TOOL VAC REDUCTION PVC 3" X 48"
4	1	T400023	UNION 6MP 4FP
5	1	8030486	WATER QD 1/4 MNPT SS
6	2	T320030	FITTING, HOSE 4HO 4FJ
7	1	8031278	HOSE ASSEMBLY REDUCTION TOOL
8	2	8042605	CLAMP HOSE T BOLT 350
9	2	8042855	CLAMP HOSE T BOLT 375
10	1	8030627	TOOL VAC REDUCTION LOWER ASSY
11	1	8043764	VAC WATER SUPPLY TUBE CHROME 1/4NPT
12	1	T400020	UNION 1/4" MP-1/4" MJ STRAIGHT
13	1	8030367	VAC FITT 1/4" FF-S
14	1	8030391	BANJO 3" MALE 3" FNPT
15	1	T401065	ELBOW, 3/8 MP - 3/8 FP
16	1	T401100	ELBOW 4MP 4MJ 90
*	2	8030370	REDUCTION TOOL NOZZLE
*	2	8031268	REDUCTION TOOL NOZZLE 45 DEG

\* NOT SHOWN

# Tools

# 4" Suction Tool



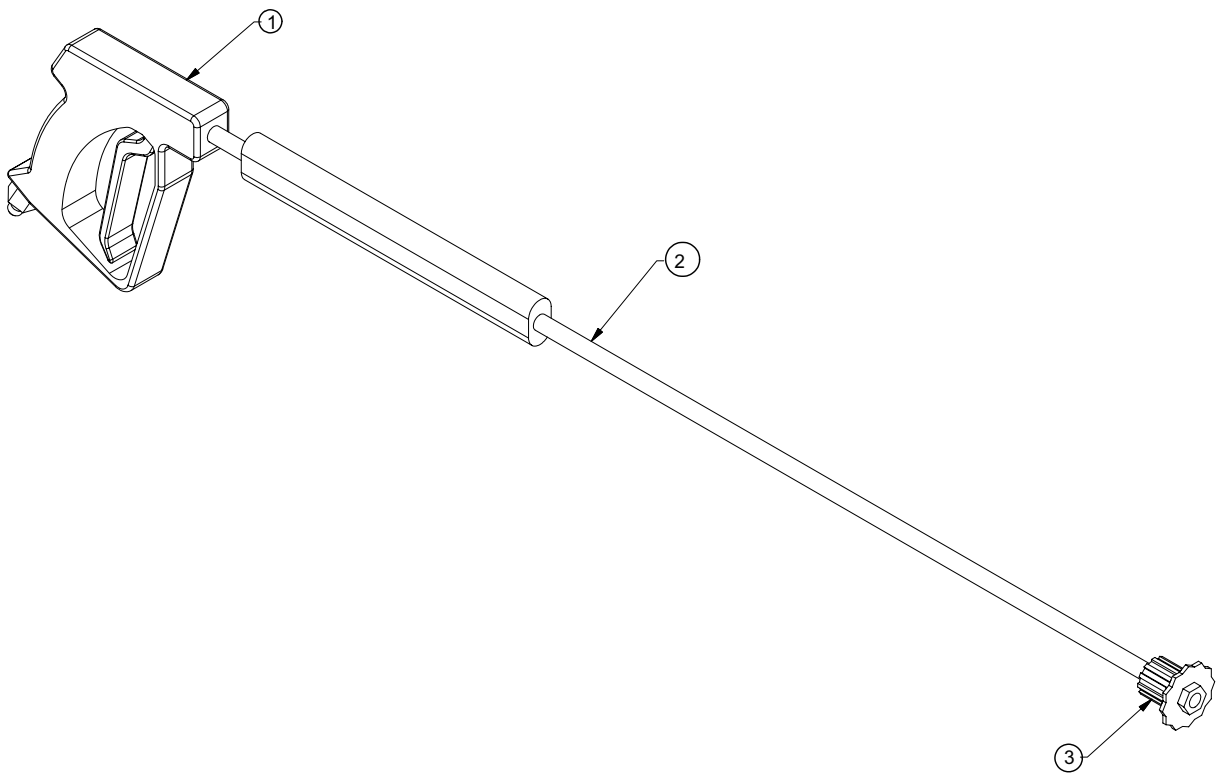
# Tools

# 4" Suction Tool

ITEM	QTY	NUMBER	DESCRIPTION
	1	8040983	TOOL VAC SUCTION 4" COMPLETE
1	1	8040981	TOOL VAC HANDLE ASSEMBLY 4"
2	1	8040982	PVC VACUUM TUBE 4"
3	1	8030912	CLAMP, 4.5" PUNCHLOK
4	1	8030844	COUPLING, 4" BANJO

# Tools

# Wash Wand



052208

VACASSY711

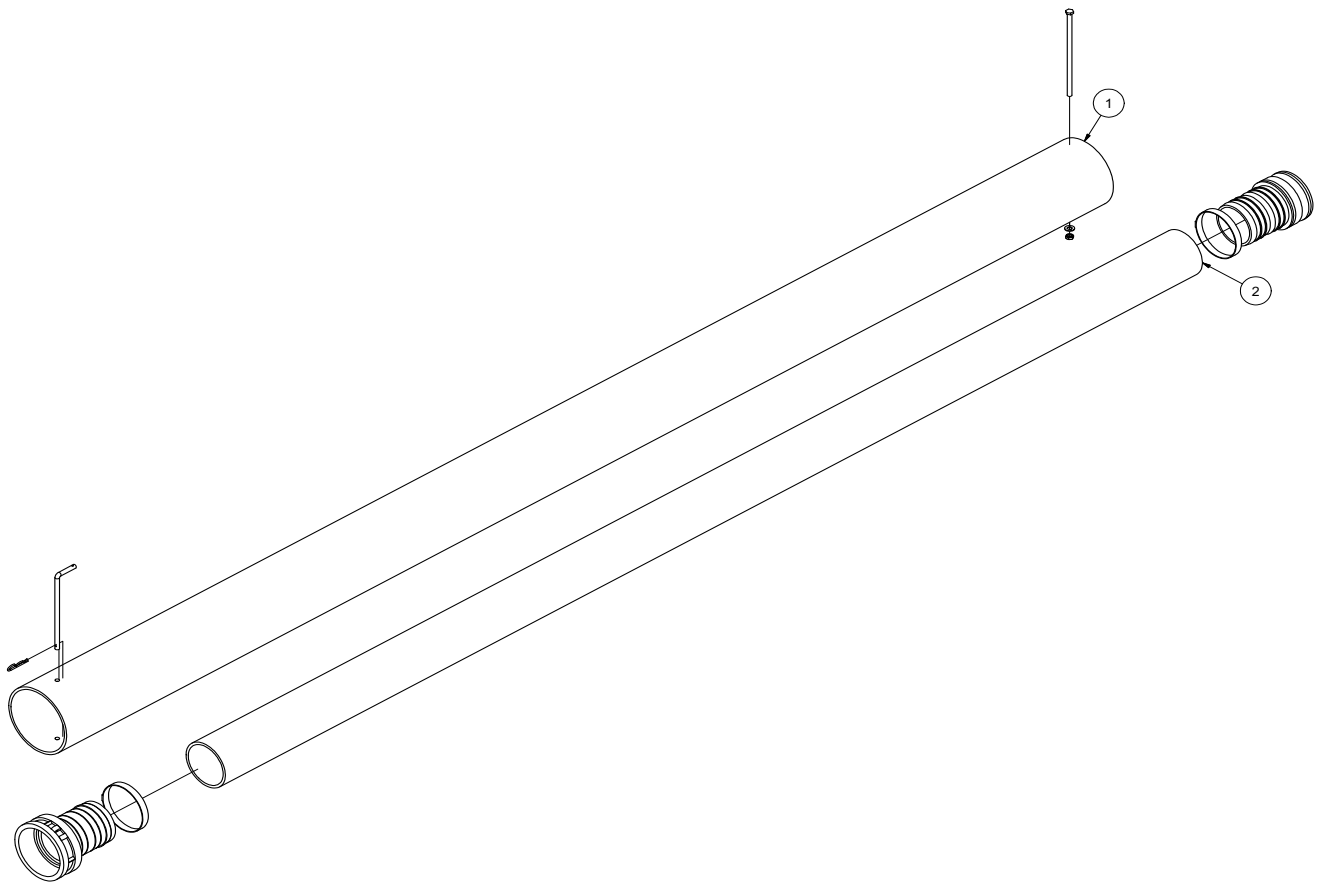
# Tools

# Wash Wand

<b>Item</b>	<b>Qty</b>	<b>Number</b>	<b>Description</b>
1	1	8030348	TOOL VAC SPRAY WAND COMPLETE
2	1	8030928	TRIGGER ASSEMBLY
3	1	8030847	WAND
		8031308	NOZZLE

# HOSES

4''

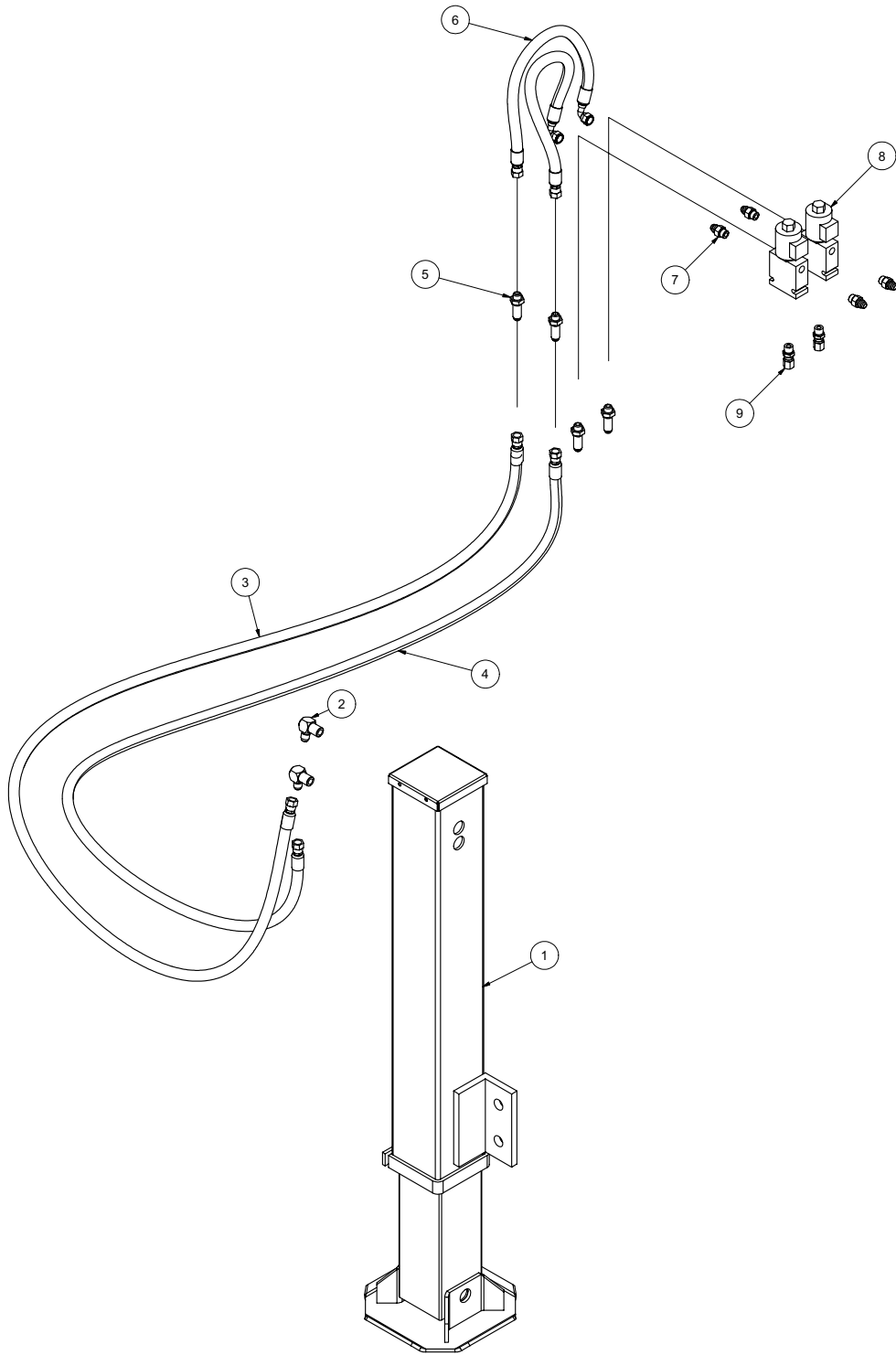


# HOSES

4''

ITEM	QTY	PART NO.	DESCRIPTION	
1	1	8041102	6" PVC STORAGE TUBE 10' LG	
	1	U000626	SCREW, HC .375-16 X 7.50"	
	1	8041485	LANYARD CABLE	
	1	8043198	HOSE STORAGE CLAMP	
	2	U200060	WASHER. FLAT 3/8"	
	2	U100060	NUT, HEX 3/8"	
	1	8041101	HOSE STORAGE RETAINING ROD	
	1	R700170	R-CLIP, 1/2 - 5/8 SHANK	
	2	1	8042310	HOSE VAC KANAFLEX 4-112
		1	8046444	CAMLOCK, 4" AL FCAM X M BARB
1		8046443	CAMLOCK, 4" AL MCAM X M BARB	
2		8030912	CLAMP, 4.5" PUNCHLOK P18-S	

# HYDRAULIC JACK OPTION



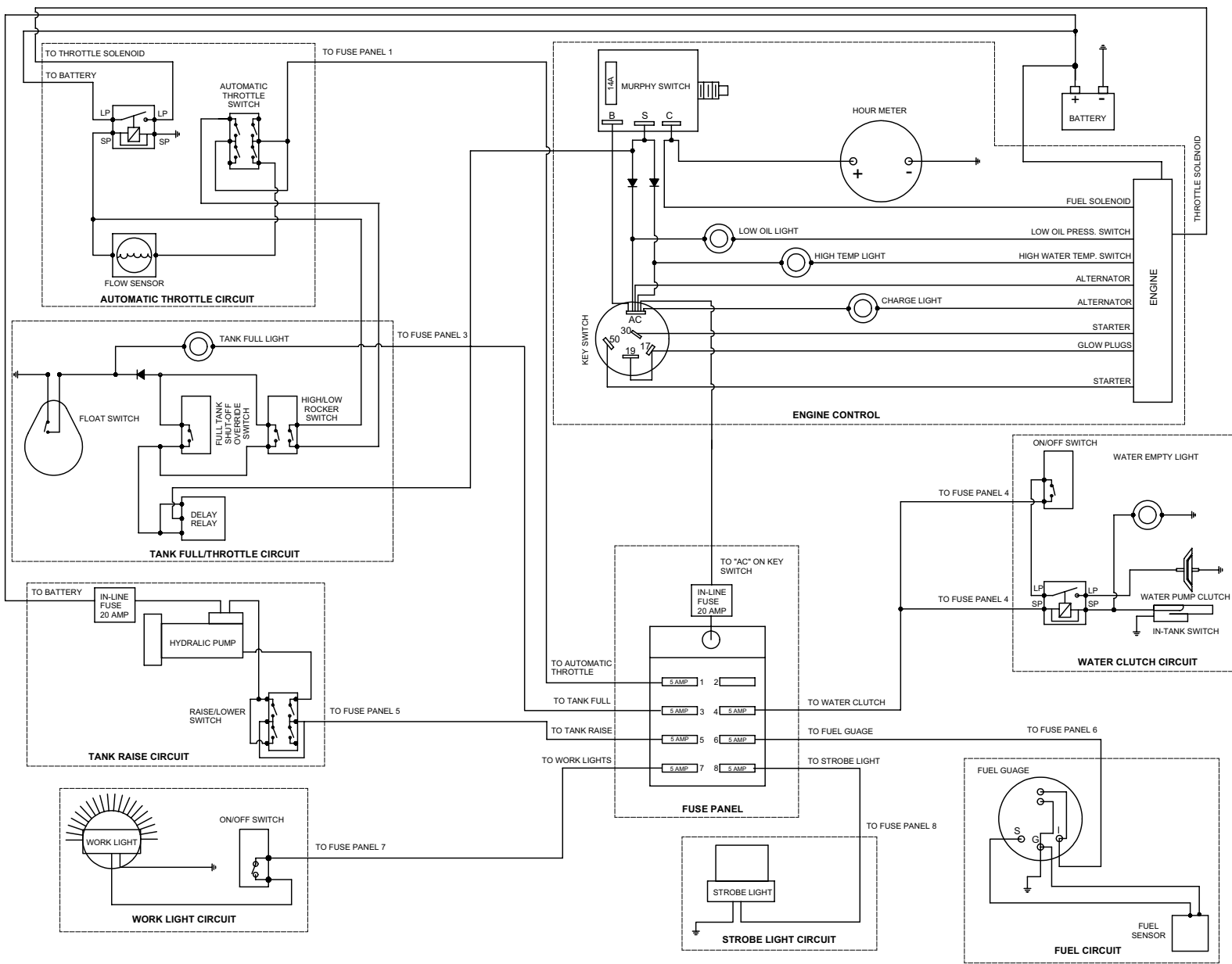


# HYDRAULIC JACK OPTION

ITEM	QTY	PART #	DESCRIPTION
1	1	8043653	HYDRAULIC JACK CYLINDER
2	2	T401103	ELBOW 90 DEG 3/8"MJ - 1/4"FJ
3	1	8042661	HOSE ASSY VAC 6-66 ST-90
4	1	8041442	HOSE ASSY VAC 6-60 ST-90
5	2	T400391	BULKHEAD, 3/8"MJ - 3/8"MJ
6	2	8040973	HOSE ASSY VAC 6-20 ST-90
7	4	T400037	UNION, 3/8"MB - 3/8"MJ
8	2	8041788	SOLENOID VALVE
9	2	8030512	UNION, 3/8"MB - 3/8"FJ
*	1	X000274	SWITCH ROCKER DPDT

\* NOT SHOWN

**PAGE LEFT BLANK**



# WIRING SCHEMATIC

**PAGE LEFT BLANK**

# WARRANTY RETURN GOODS POLICY

## LIMITED WARRANTY

The Manufacturer warrants its products to be free from defects in material and workmanship for a period of twelve months from the date of shipment from the factory. The Manufacturer shall not be responsible for any damage resulting to or caused by its products by reason of installation, improper storage, unauthorized service, alteration of the products, neglect or abuse, or use of the product in a manner inconsistent with its design. The warranty does not extend to any component parts not manufactured by Manufacturer; however, Manufacturer's warranty herein shall not limit any warranties made by manufacturers of component parts which extend to Buyer.

Claims for defects in material and workmanship shall be made in writing to Manufacturer within ten days of discovery of defect. Manufacturer may either send a service representative or have the product returned to its factory at Buyer's expense for inspection. Upon notification of defect, Manufacturer will issue a return goods authorization number to Buyer. The return goods authorization number must accompany the product returned. If judged by the Manufacturer to be defective in material or workmanship, the product will be replaced or repaired at the option of the Manufacturer, free from all charges except authorized transportation. Buyer shall be responsible for all maintenance services consisting of lubrication and cleaning of equipment, replacing expandable parts, making minor adjustments, and performing operating checks, all in accordance with procedures outlined in Manufacturer's maintenance literature.

THE FOREGOING WARRANTY IS IN LIEU OF ALL OTHER WARRANTIES AND NO REPRESENTATIONS, GUARANTEES, OR WARRANTIES, EXPRESS OR IMPLIED, (INCLUDING BUT NOT LIMITED TO A WARRANTY OF MERCHANTABILITY OR FITNESS FOR A PARTICULAR PURPOSE), ARE MADE BY THE MANUFACTURER IN CONNECTION WITH THE MANUFACTURE OR SALE OF ITS PRODUCTS. NO EMPLOYEE, DISTRIBUTOR, OR REPRESENTATIVE IS AUTHORIZED TO CHANGE THIS WARRANTY ON BEHALF OF MANUFACTURER. THE REMEDIES OF BUYER SET FORTH HEREIN ARE EXCLUSIVE AND ARE IN LIEU OF ALL OTHER REMEDIES. THE LIABILITY OF MANUFACTURER WHETHER IN CONTRACT, TORT, UNDER ANY WARRANTY, OR OTHERWISE SHALL NOT EXTEND BEYOND ITS OBLIGATION TO REPAIR OR REPLACE, AT ITS OPTION ANY PRODUCT OR PART FOUND BY MANUFACTURER TO BE DEFECTIVE IN MATERIAL OR WORKMANSHIP. MANUFACTURER SHALL NOT BE LIABLE FOR COST OF INSTALLATION AND/OR REMOVAL OR BE RESPONSIBLE FOR DIRECT, INDIRECT, SPECIAL OR CONSEQUENTIAL DAMAGES OF ANY NATURE.

## GENERAL RETURNS OF MERCHANDISE

1. All returns must be pre-authorized
  - A. Please call our parts department for an RGA number
  - B. Please include RGA number on the outside of box
  - C. Include any required paper work or special instructions
  - D. Items returned without an RGA number will not be accepted
2. All returns are subject to a 20% restock charge.
3. Special items are non-returnable
  - A. Non-stock parts
  - B. Custom parts
  - C. If you are unsure about a parts status when ordering, ask your McLaughlin representative if the item fits on of the above conditions.
4. Items must be returned within thirty days of original order date.
5. Items not returned within 30 days from the date of RGA is issued will not be accepted.
6. The item(s) must be in new condition. Used item(s) are not returnable.



# Notes

A large rectangular box with a black border, containing 30 horizontal lines for writing notes. The lines are evenly spaced and extend across the width of the box.