



2006 Perimeter Road. Greenville, SC 29605
Toll Free: 800/435-9340 - Phone: 864/277-5870
Fax: 864/235-9661 - Website address: www.mightymole.com
Email address: mmole@mightymole.com

Parts Manual
Vermeer/ McLaughlin V500HD Vacuum Machine
Part #E850501

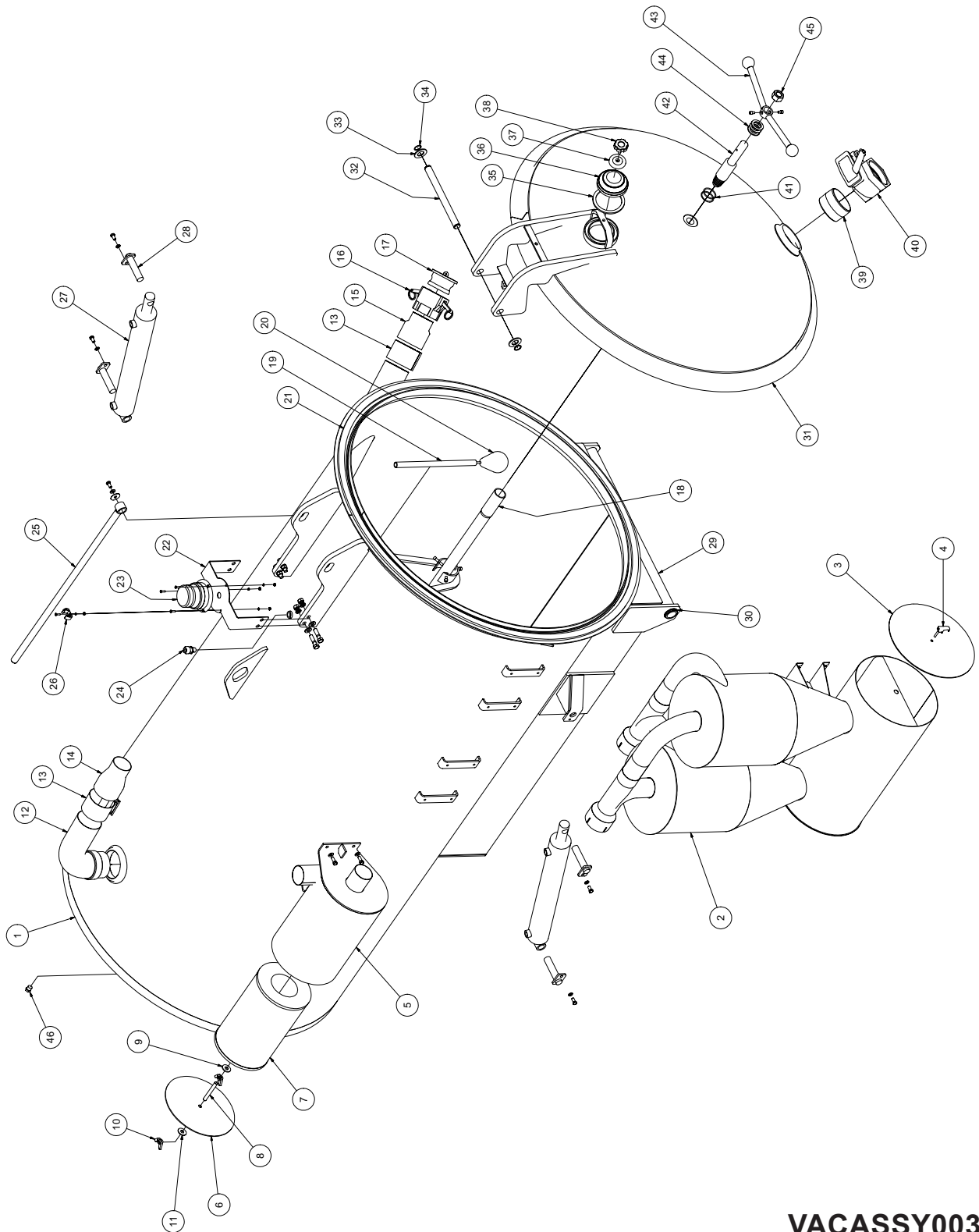
© 2006 by McLaughlin Group, Inc.

052306

All rights reserved. No part of this manual may be reproduced in any form, or by any means without prior written permission of McLaughlin Group, Inc.

Tank and Door Assembly

V500HD



VACASSY003

Tank and Door Assembly

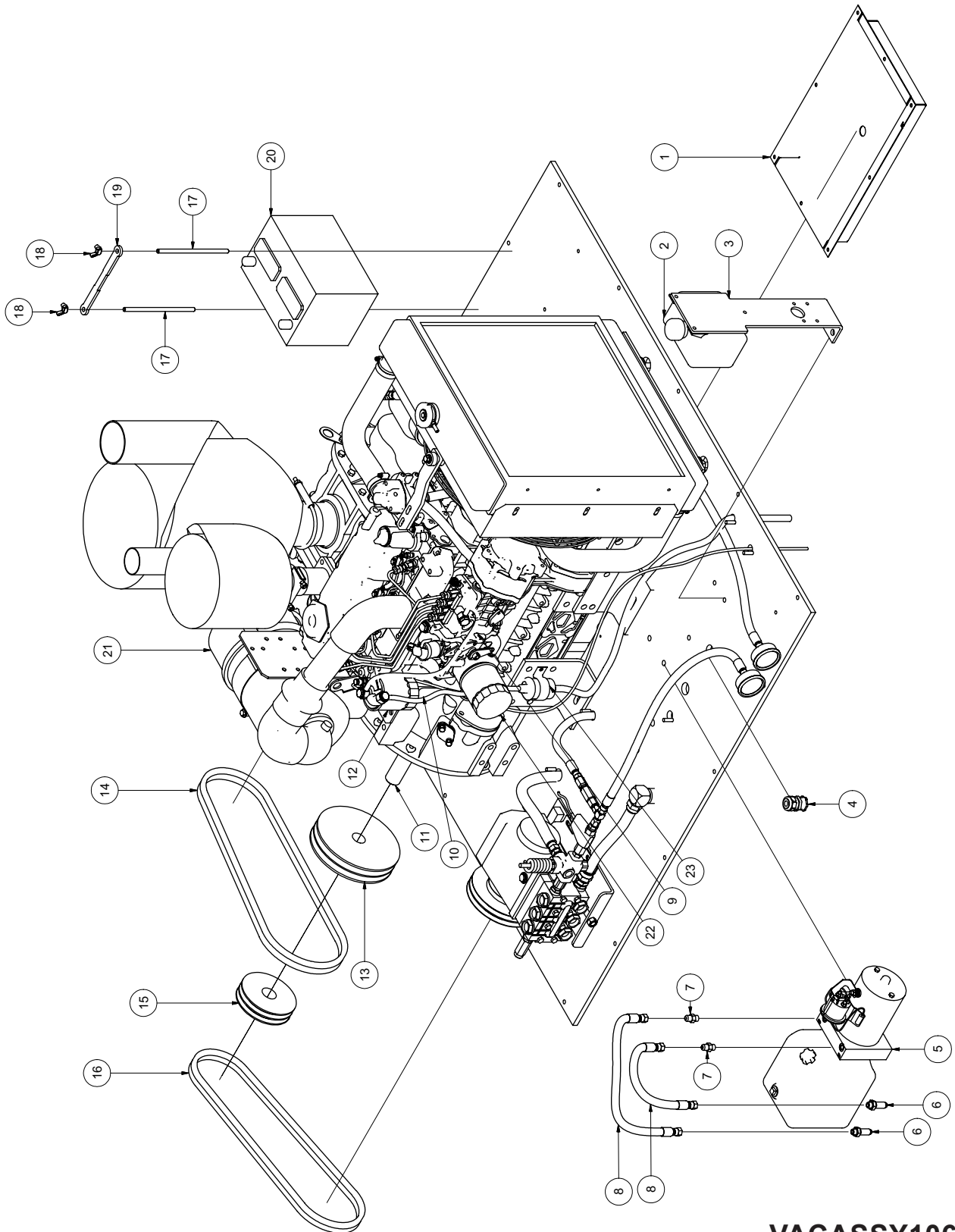
V500HD

ITEM#	QTY	NUMBER	DESCRIPTION	ITEM#	QTY	NUMBER	DESCRIPTION
1	1	8040821	TANK	23	1	8030347	STROBE LIGHT
2	1	8040911	CYCLONE SEPARATOR HOUSING	3	U010006	SCREW, PHILLIPS #10-24 X 1"	
	4	U000420	SCREW, HC 3/8-16 X 1.00	3	U210005	WASHER, LOCK #10	
	4	U200600	WASHER, FLAT 3/8"	3	U100010	NUT, HEX #10-24	
3	1	8040315	CYCLONE SEPARATOR DOOR	24	1	X000113	1/2" STRAIN RELIEF
	1	8040079	CYCLONE SEPARATOR DOOR SEAL	25	1	8031118	SAFETY PROP ROD
4	1	8040334	SWELL LATCH	1	U000400	SCREW, HC 3/8-16 X 0.75	
5	1	8040469	AIR FILTER HOUSING	1	U200600	WASHER, FLAT 3/8"	
	4	U000420	SCREW, HC 3/8-16 X 1.00	1	8040595	WASHER, SAFETY PROP ROD	
	4	U200600	WASHER, FLAT 3/8"	26	1	8040899	CLIP, TOOL HOLDER
6	1	8040465	AIR FILTER HOUSING DOOR	1	U010006	SCREW, PHILLIPS #10-24 X 1"	
	1	8040466	AIR FILTER HOUSING DOOR SEAL	1	U210005	WASHER, LOCK #10	
7	1	8031293	AIR FILTER ELEMENT	1	U100010	NUT, HEX #10-24	
8	1	8040302	THREADED ROD	27	2	8030359	SPOIL TANK HYDRAULIC CYLINDER
9	1	8031036	SEALING WASHER	28	4	8030128	CYLINDER PIN
10	2	U130080	WING NUT, 1/2-13	4	U000400	SCREW, HC 3/8-16 X 0.75	
11	1	U200110	FLAT WASHER, 1/2" HARDENED	4	U210060	WASHER, LOCK 3/8"	
12	1	8040786	EXHAUST ELBOW	29	1	8030038	TANK PIVOT ROD
13			N/A	30	2	8030363	2" SPIRAL SNAP RING
14			N/A	31	1	8040843	DOOR
15	1	8040991	4" SUCTION PORT ADAPTER	32	1	8040058	DOOR HINGE ROD
16	1	8030846	4" FEMALE COUPLER	33	2	8030171	DOOR HINGE WASHER
17	1	8032006	4" COUPLING PLUG	34	2	8030362	1" SNAP RING
18	1	8040868	TANK ROD	35	1	8032007	4" COUPLER GASKET
	1	8030446	O-RING #328 BUNA	36	1	8031048	SIGHT GLASS
	4	U000880	SCREW, HC 1/2-13 X 2.00	37	1	8031047	SIGHT GLASS PLATE
	4	U100120	NUT, HEX 1/2-13	38	1	8031046	SIGHT GLASS HAND WHEEL
	8	U200100	WASHER, FLAT 1/2"	39	1	8030431	4" CLOSE NIPPLE
	3	U010055	SCREW, HSH 5/16-18 X 1.50	40	1	8030916	GATE VALVE
	3	8030369	TANK CLEANOUT NOZZLES	41	2	W200120	ORING #225 BUNA
19	1	8040769	HIGH LEVEL FLOAT SWITCH TUBE	42	1	8040306	DOOR STRIKER
20	1	8030531	HIGH LEVEL FLOAT SWITCH	43	1	8040235	DOOR HANDLE
21	1	8040874	DOOR SEAL	2	U010040	SCREW, HSH 5/16-18 X 0.50	
22	1	8040017	STROBE LIGHT BRACKET	2	J400060	KNOB	
	4	U000880	SCREW, HC 1/2-13 X 2.00	44	3	8030174	SPACER
	4	U200100	WASHER, FLAT 1/2"	45	1	U120060	LOCKNUT, NYLON 1" - 8
	4	U210111	WASHER, LOCK 1/2"	79	1	T405064	PLUG, 3/8" NPT
	4	U100120	NUT, HEX 1/2-13	*	34"	8030657	4" KANAFLEX
				*	30"	8030657	4" KANAFLEX
				*	136"	8030657	4" KANAFLEX

VACASSY003

Power Pack Assembly

V500HD



VACASSY106

Power Pack Assembly

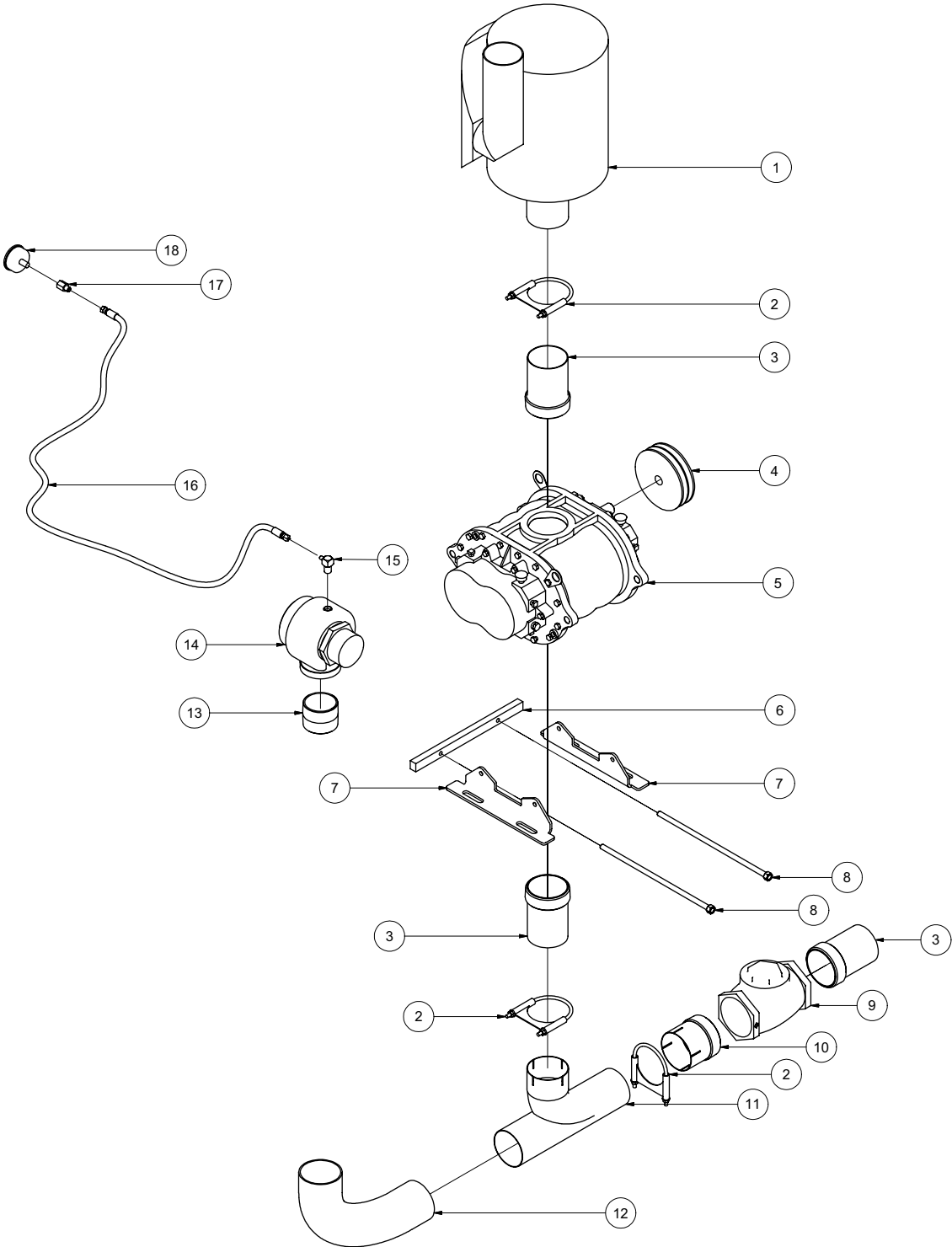
V500HD

ITEM	QTY	NUMBER	DESCRIPTION
1	1	8040694	DRIP PAN 73HP
	8	U000040	SCREW, HC 1/4 - 20 X .750
	8	U210020	WASHER, LOCK 1/4"
	8	U200020	WASHER, FLAT 1/4"
2	1	8040645	TANK, OVERFLOW COOLANT
	3	U000040	SCREW, HC 1/4"-20 X 3/4"
	6	U200020	WASHER, FLAT 1/4"
	3	U210020	WASHER, LOCK 1/4"
	3	U100020	NUT, HEX 1/4"-20
3	1	8040577	WATER REGULATOR/OVERFLOW BRACKET
	2	U000817	SCREW, HC 1/2"-13 X 1"
	2	U210100	WASHER, LOCK 1/2"
	2	U200100	WASHER, FLAT 1/2"
4	1	X000112	CONNECTOR, PANEL 3/4 MNPT-3/4FNPT
	1	X000109	STRAIN RELIEF, 3/4"
	1	X000108	3/4" COUPLING NUT
5	1	8040486	HYDRAULIC POWER PACK, 12V (MONARCH)
	2	U000420	SCREW, HC 3/8"-16 X 1"
	2	U210060	WASHER, LOCK 3/8"
	2	U200600	WASHER, FLAT 3/8"
6	2	T400391	BULKHEAD 6MP 6MP
7	2	T400037	UNION 6MB-6MJ
8	2	8040973	HOSE ASSEMBLY HYDRAULIC #6 PRESSURE HOSE 20" LONG FITTING, HOSE 6HO 6FJ
9	1	-	HOSE ASSEMBLY (FUEL FILTER - ENGINE)
	1	8030459	5/16" FUEL LINE 14" LONG
	2	U800015	CLAMP, HOSE 04 - 5/8"
10	1	-	HOSE ASSEMBLY (FUEL PUMP - FUEL FILTER)
	1	8030459	5/16" FUEL LINE 18" LONG
	2	U800015	CLAMP, HOSE 04 - 5/8"
11	1	8030908	KUBOTA V3300
	1	8030908-1	MUFFLER
	4	U000820	SCREW, HC 1/2"-13 X 1 1/4"
	4	U210100	WASHER, LOCK 1/2"
	4	U200100	WASHER, FLAT 1/2"
12	1	8041053	KUBOTA FUEL FILTER
13	1	8040482	SHEAVE 8.35 DIA 2 GROOVE
	1	8040483	BUSHING 1 7/16" SK
	1	U410125	KEY 3/8" X 3/8" X 2"
14	2	8041081	Belt BX55
15	1	8040480	SHEAVE 4.15 DIA 2 GROOVE
	1	8040481	BUSHING 1 7/16" SH
	1	U410125	KEY 3/8" X 3/8" X 2"
16	2	8041082	Belt AX47
17	2	8040684	ROD, BATTERY HOLD DOWN
18	2	U130040	NUT, WING 3/8"-16
19	1	8050016	BATTERY HOLD DOWN
20	1	X400020	MT-34R 12V BATTERY
	1	X300110	BATTERY CABLE (NEG) 1 GAGE -14"
	1	8030561	BATTERY CABLE (POS) 4 GAGE - 41 1/2"
21	1	8041054	KUBOTA AIR FILTER ELEMENT (PRIMARY)
	1	8041055	KUBOTA AIR FILTER ELEMENT (SECONDARY)
22	1	8032002	KUBOTA OIL FILTER
23	1	8041056	PUMP, ELECTRIC FUEL
*	4	8030904	ISOLATOR

VACASSY106

Blower Assembly

V500HD



Blower Assembly

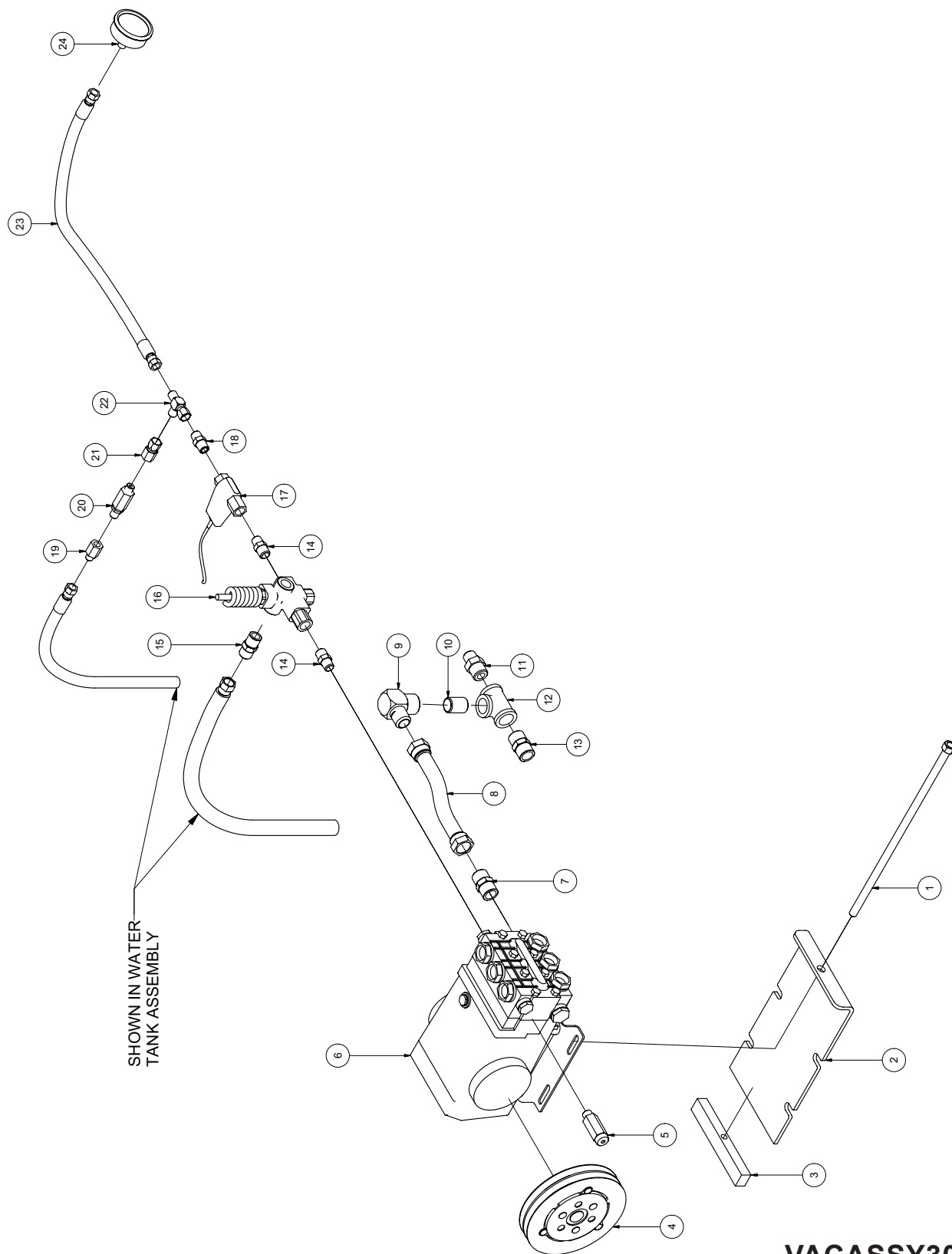
V500HD

ITEM	QTY	NUMBER	DESCRIPTION
1	1	8030917	SILENCER,1025 CFM, COWL
2	3	8031193	4" EXHAUST CLAMP
3	2	8030560	EXHAUST ADAPTER 4" MNPT - 4"OD
4	1	8040484	SHEAVE 6.95 OD SDS 2-GROOVE
	1	8040485	BUSHING 1 1/8" SDS
	1	U410090	KEY 1/4" X 1/4" X 2 3/4"
5	1	8040001	BLOWER (MODEL 59)
	4	U000817	SCREW, HC 1/2" - 13 X 1"
	4	U210100	WASHER, LOCK 1/2"
	4	U200100	WASHER, FLAT 1/2"
6	1	8040904	TENSION BLOCK 1025CFM
7	2	8040710	BLOWER FOOT (MODEL 59)
8	2	8040751	ROD TIGHTENER WELD" T
9	1	8041043	CHECK VALVE 4" FNPT
10	1	8040991	EXHAUST ADAPTER 4" MNPT - 4ID
11	1	8040930	WYE 4" IDOD
12	1	8041026	4" INLET HEADER HOSE
13	1	8030403	3" CLOSE NIPPLE
14	1	8030866	KUNKLE VALVE, 1025 CFM
15	1	T400590	ELBOW 6MP 4MJ
16	1	8041024	HOSE VACUUM GAUGE #4 PRESSURE HOSE 80" LONG FITTING, HOSE 4HO 4FJ
17	1	8030483	UNION 4FP 4MJ
18	1	8030371	VACUUM GAUGE

VACASSY207

Water Pump Assembly

V500HD



VACASSY302

Water Pump Assembly

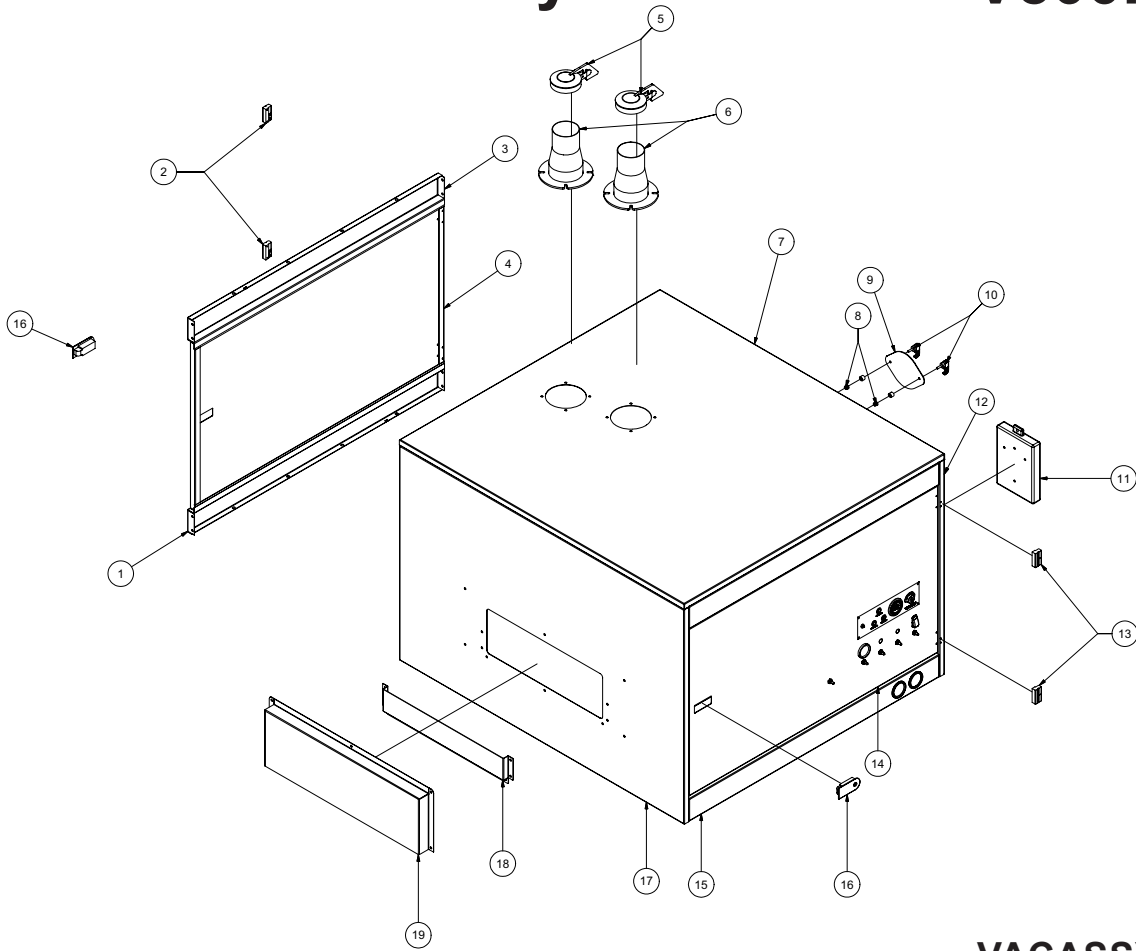
V500HD

ITEM	QTY	NUMBER	DESCRIPTION
1	1	8040751	WATER PUMP TENSIONER ROD
2	1	8040892	WATER PUMP TENSIONER PLATE
3	1	8040893	WATER PUMP TENSIONER BLOCK
4	1	8030961	WATER PUMP CLUTCH
	1	U410094	KEY 5/16" X 5/16" X 1 3/8"
5	1	8030340	SAFETY RELIEF VALVE 6GPM
6	1	8031279	WATER PUMP
	4	U000420	SCREW, HC 3/8"-16 X 1"
	4	U210060	WASHER, LOCK 3/8"
	4	U200600	WASHER, FLAT 3/8"
7	1	T400070	UNION, 8MP 12MJ
8	1	-	HOSE ASSEMBLY, INLET WATER
	1	8030539	#12 PUSH LOCK HOSE 8.5" LONG
	2	8030525	FITTING, HOSE #12FJ PUSH LOCK
9	1	T401180	ELBOW, 12MP 12MJ
10	1	T421020	NIPPLE, PIPE 12MP 12MP
11	1	T404030	UNION, 12MP 8MP
12	1	T402160	TEE 12FP 12FP 12FP
13	1	T400100	UNION, 12MP 12MJ
14	2	T400805	UNION, 8MP 6MP
15	1	T400040	UNION, 8MP 8MJ
16	1	8030341	UNLOADER VALVE
17	1	8031267	FLOW SWITCH
18	1	T400803	UNION, 6MP 6MP
19	1	8031126	UNION, 4FP 6MJ
20	1	8030923	HIGH PRESSURE WATER FILTER
21	1	8031125	UNION, 6FJ 4FP
22	1	T402153	TEE, 6MJ 6MJ 6FJ
23	1	8040971	HOSE ASSEMBLY, PRESSURE GAUGE #4HIGH PRESSURE HOSE 19" LONG FITTING, HOSE 4HO 6FJ FITTING, HOSE 4HO 4FJ
24	1	8030372	WATER PRESSURE GAUGE 1/4NPT

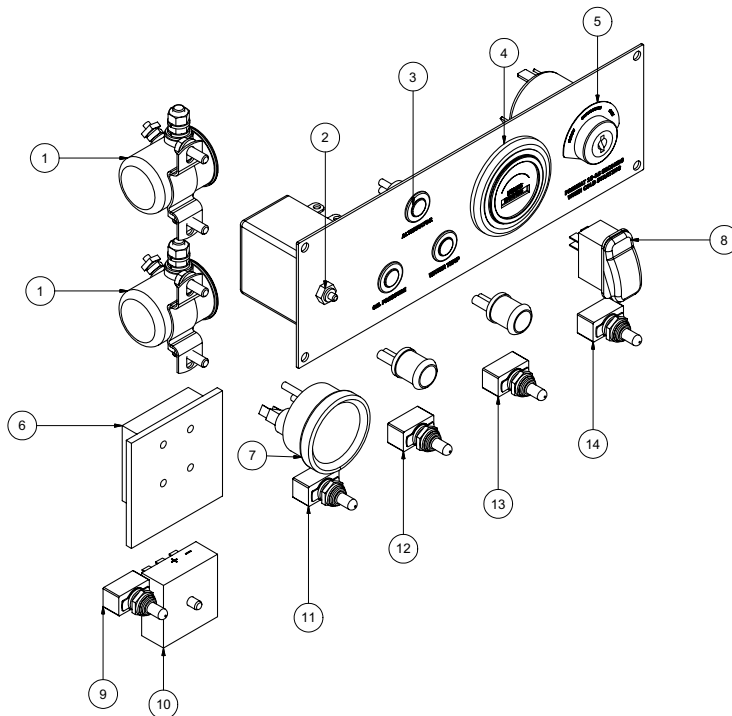
VACASSY302

Enclosure Assembly

V500HD



VACASSY406



VACASSY501

Enclosure Assembly

V500HD

ITEM	QTY	NUMBER	DESCRIPTION
1	1	8041014	SIDE PANEL
2	2	8040589	OFFSET HINGE TYPE A
	8	U030525	SCREW, PAN HD #10-32X1/2
3	2	8040692	UPPER SIDE PANEL
4	1	8040700	DOOR
5	2	8040742	RAIN CAP 4"
6	2	8040739	EXHAUST WELDMENT
7	1	8040852	TOP SHEET
8	2	U120142	NUT, FLANGED LOCK 1/4-20
9	1	8040592	RADIATER ACCESS PLATE
10	2	8040334	LATCH, SWELL
11	1	E250211	MANUAL BOX
12	1	8041012	FRONT SHEET
13	2	8040588	OFFSET HINGE TYPE B
	8	U030525	SCREW, PAN HD #10-32X1/2
14	1	8040745	DOOR, CONTROL
15	1	8041013	SIDE PANEL W/ GAUGES
16	2	8040586	LATCH, LEVER LOCKABLE
17	1	8041011	BACK SHEET
18	1	8040565	SMALL BAFFLE
19	1	8040566	LARGE BAFFLE
	72	U000060	SCREW, HC 1/4-20X1
	126	U200020	WASHER, FLAT 1/4
	72	U210020	WASHER, LOCK 1/4
	54	U100020	NUT, HEX 1/4-20

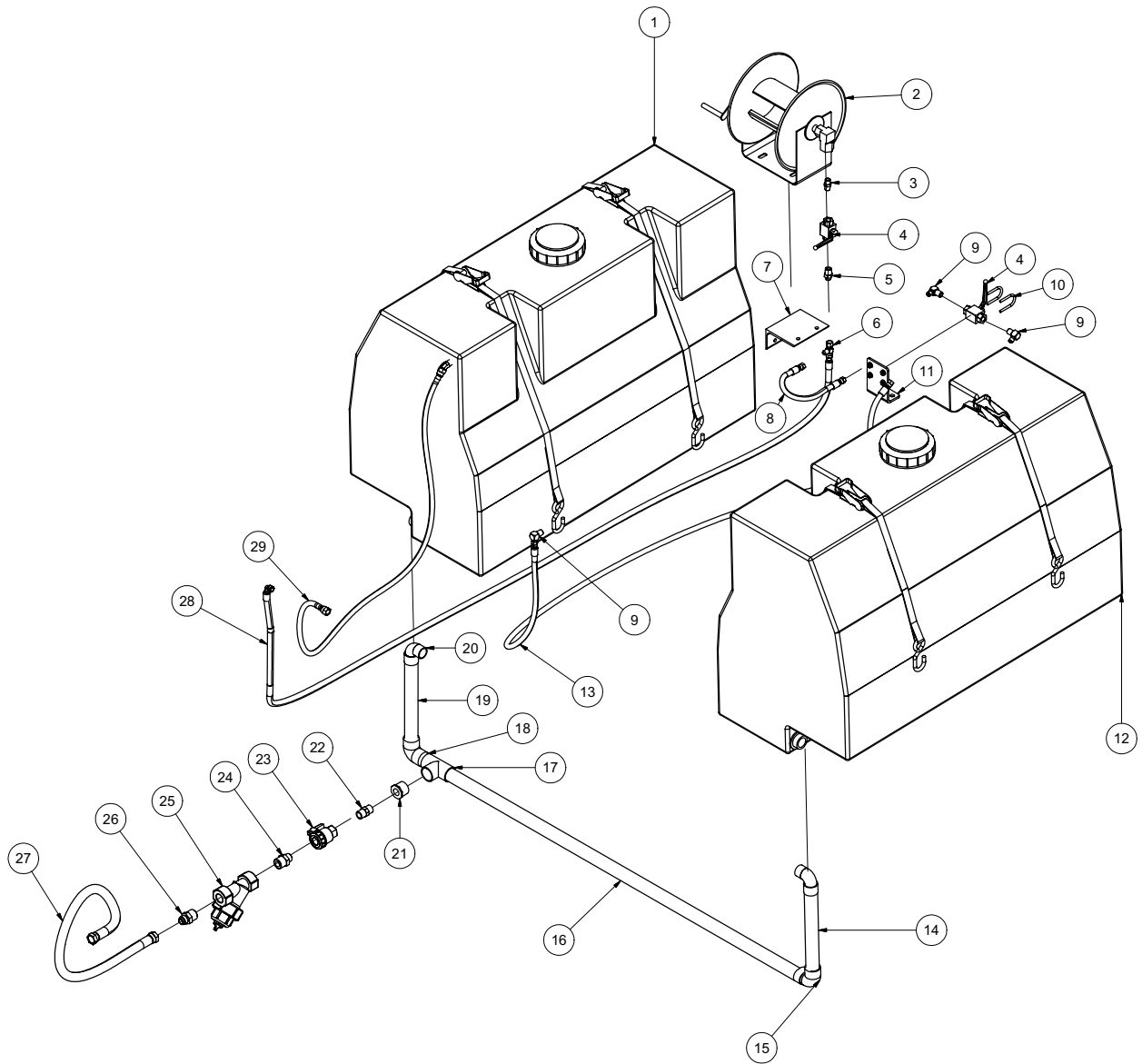
VACASSY406

ITEM	QTY	NUMBER	DESCRIPTION
1	2	8030443	80-12V SOLENOID
2	1	8030455	MURPHY SWITCH
3	5	8030457	PANEL LIGHTS
4	1	8030456	HOUR METER
5	1	8030458	KEY SWITCH
	1	8030829	KEYS
6	1	8031257	FUSE PANEL 8 POS.
	1	8030468	10 AMP FUSE
	6	8030461	5 AMP FUSE
7	1	8030330	FUEL GAUGE
8	1	X000021	ROCKER SWITCH THROTTLE HIGH/LOW
9	1	8041077	SWITCH, TANK RAISE/LOWER
10	1	8031231	SWITCH, DELAY RELAY
11	1	X000095	SWITCH, WORK LIGHTS
12	1	X000095	SWITCH, FULL TANK OVERRIDE
13	1	X000095	SWITCH, WATER PUMP CLUTCH
14	1	X000092	SWITCH, AUTOMATIC THROTTLE
	1	8030826	INLINE 20 AMP FUSE

VACASSY501

Water Tank Assembly

V500HD



VACASSY603

Water Tank Assembly

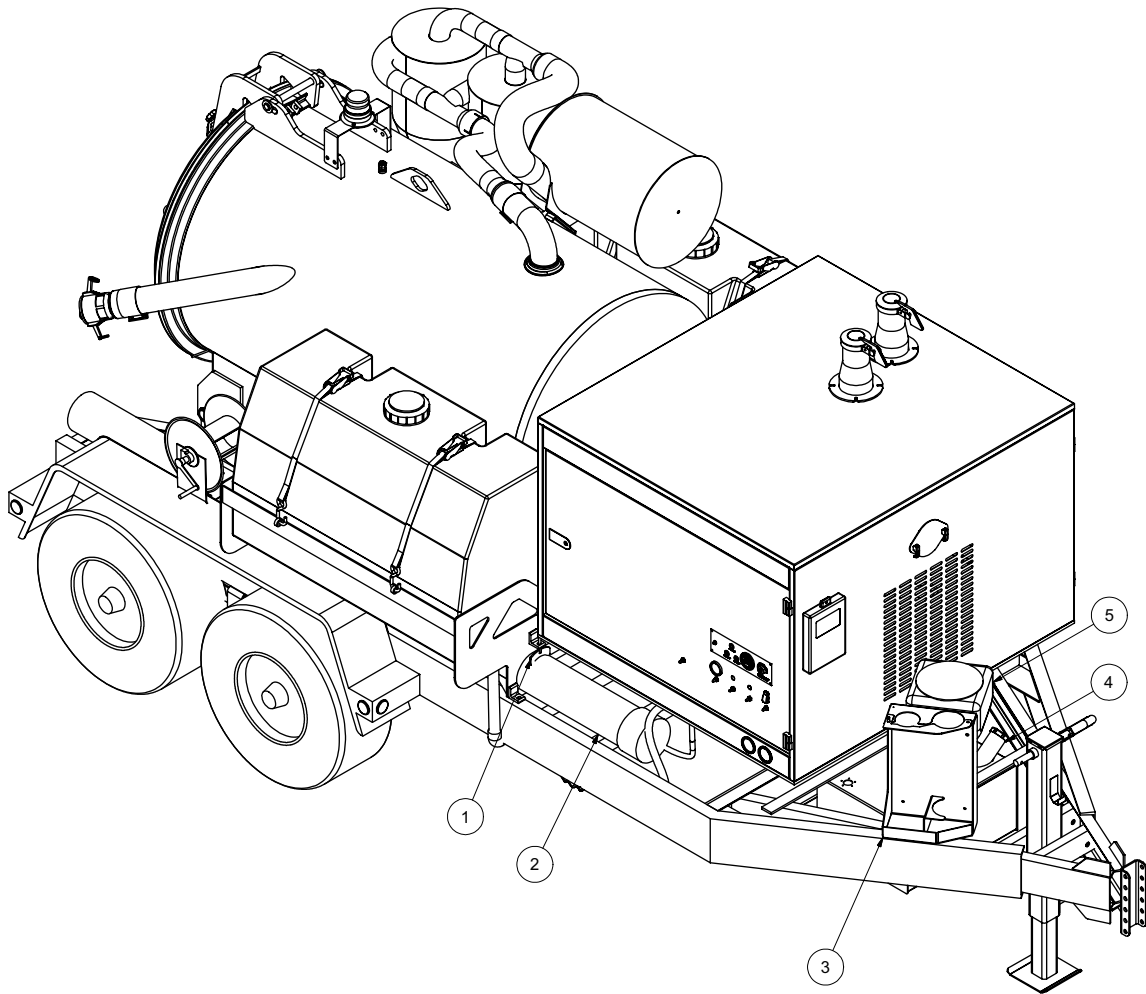
V500HD

ITEM	QTY	NUMBER	DESCRIPTION
1	1	8040782-1	125 GALLON WATER TANK (CURBSIDE)
	2	8040084	WATER TANK STRAP
	1	8041119	WATER TANK LID
2	1	8030346	HOSE REEL
	4	U000420	SCREW, HC 3/8"-16 X 1.0
	8	U200060	WASHER, FLAT 3/8"
	4	U210060	WASHER, LOCK 3/8"
	4	U100060	NUT, HEX 3/8"-16
3	1	T400803	UNION, 6MP-6MP
4	2	8030351	BALL VALVE, STEEL 6FP
5	1	T400028	UNION, 6MP-6MJ
6	1	T402153	TEE, 6MJ-6MJ-6FJ
7	1	8040876	HOSE REEL BRACKET
	2	U000420	SCREW, HC 3/8"-16 X 1.0
	4	U200060	WASHER, FLAT 3/8"
	2	U210060	WASHER, LOCK 3/8"
	2	U100060	NUT, HEX 3/8"-16
8	1	8041061	HOSE - REEL TO TANK CLEANOUT VALVE
9	3	T401102	ELBOW, 6MJ-6MP
10	2	U010017	U-BOLT, 1 1/2" X 1/4-20 UNC
	4	U120100	NUT, LOCK 1/4-20
	4	U200020	WASHER, FLAT 1/4"
11	1	8040670	BALL VALVE BRACKET
12	1	8040782	125 GALLON WATER TANK (STREETSIDE)
	2	8040084	WATER TANK STRAP
	1	8041119	WATER TANK LID
13	1	8041062	HOSE - TANK CLEANOUT VALVE TO SPOIL TANK
14	1	8041123	PIPE - 1 1/4" PVC X 15"LG
15	1	8030096	ELBOW, PVC 1 1/4"SO-1 1/4"SO
16	1	8041121	PIPE - 1 1/4" PVC X 62 1/2"LG
17	1	8041049	TEE, PVC 1 1/4"SO-1 1/4"SO-1 1/4"SO
18	1	8041076	PIPE - 1 1/4" PVC X 2 1/2"LG
19	1	8041123	PIPE - 1 1/4" PVC X 15"LG
20	2	8041122	ELBOW, PVC 1 1/4"MP-1 1/4"SO
21	1	8030095	UNION, PVC 3/4"FP-1 1/4"SO
22	1	T400800	UNION, 12MP-12MP
23	1	8030376	BALL VALVE, POLY 3/4" FP
24	1	T404060	UNION, 16MP-12MP
25	1	8040186	STRAINER
26	1	T400450	UNION, 12MJ-16MP
27	1	-	HOSE - WATER PUMP SUCTION
	1	8030539	#12 PUSH LOCK HOSE 36" LONG
	2	8030525	FITTING, HOSE #12FJ PUSH LOCK
28	1	8041060	HOSE - PUMP TO REEL
29	1	-	BY-PASS HOSE
	1	8030540	1/2" x 66" LG PUSH LOCK HOSE
	2	8030524	1/2" PUSH LOCK FITTING

VACASSY603

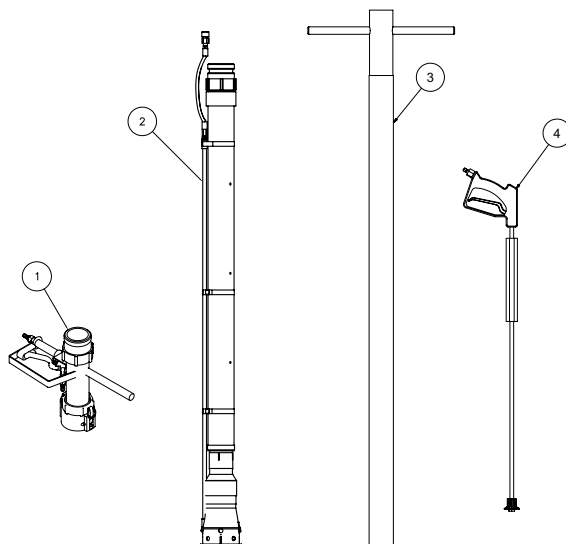
Trailer Assembly

V500HD



VACASSY904

Tools



VACASSY702

Trailer Assembly

V500HD

ITEM	QTY	NUMBER	DESCRIPTION
1	4	8040959	HOSE STORAGE CLAMP
	8	U200060	WASHER, FLAT 3/8
	8	U100060	NUT, HEX 3/8
2	2	8041102	HOSE STORAGE 6" X 10'
	2	8030925	END CAP 6"
	2	R700160	R CLIP
	2	8041101	HOSE STORAGE RETAINING ROD
3	1	8040985	TOOL RACK
	1	8040989	TOOL RACK CLOSURE
4	1	8040763	FUEL TANK (20 GAL)
	120"	8030459	5/16" FUEL LINE
	1	36201441	FUEL CAP
	1	8030697	FUEL SENDING UNIT
	1	8030656	FUEL FILTER
	1	8030394	ANTI-FREEZE TANK (4 GAL)
	4	U000180	SCREW, HC 5/16"-18 X .75"
5	4	U200040	WASHER, FLAT 5/16
	4	U210040	WASHER, LOCK 5/16
	1	T403100	UNION 12FP 20MP
	1	T401040	ELBOW 90 12MP 12MP
	1	8030376	BALL VALVE 3/4" FP
	1	T400080	UNION 8MJ - 12MP
	2	8030524	# 8 FJ PUSHLOCK
	36"	8030540	HOSE #8 PUSHLOCK

VACASSY904

Tools

Item	Qty	Number	Description	Item	Qty	Number	Description
1	1	8030635	Tool Head	4	1	8030348	Spray Wand Complete
	2	8030486	Quick Disconnect SS		1	8030928	Trigger Assembly
	1	8031079	Banjo 3" Male		1	8030847	Wand
	1	8030392	Banjo 3" Female		1	8031308	Nozzle
	1	8030928	Trigger Assembly		*	2	8041100
2	1	8041099	Reduction Tool, HD	1	8030844	Banjo 4" Male	
	2	8030370	Reduction Tool Nozzle	1	8030846	Banjo 4" Female	
	2	8031268	Reduction Tool Nozzle 45Deg	2	8030560	Hose Adapter 4"	
	1	8031079	Banjo 3" Male	112"	8030657	Vacuum Hose 4" Kanaflex	
3	1	8040983	Vacuum Tool 4"	*	1	8041080	Adapter 3" to 4"

* ITEM NOT SHOWN

VACASSY702

WARRANTY RETURN GOODS POLICY

LIMITED WARRANTY

The Manufacturer warrants its products to be free from defects in material and workmanship for a period of twelve months from the date of shipment from the factory. Hole Hammer pistons, bodies, and nose pieces are warranted to be free from defects in material and workmanship for a period of three years from the date of shipment from the factory. The Manufacturer shall not be responsible for any damage resulting to or caused by its products by reason of installation, improper storage, unauthorized service, alteration of the products, neglect or abuse, or use of the product in a manner inconsistent with its design. This warranty does not extend to any component parts not manufactured by Manufacturer; however, Manufacturer's warranty herein shall not limit any warranties made by manufacturers of component parts which extend to Buyer.

Claims for defects in material and workmanship shall be made in writing to Manufacturer within ten days of discovery of defect. Manufacturer may either send a service representative or have the product returned to its factory at Buyer's expense for inspection. Upon notification of defect, Manufacturer will issue a return goods authorization number to Buyer. The return goods authorization number must accompany the product returned. If judged by the Manufacturer to be defective in material or workmanship, the product will be replaced or repaired at the option of the manufacturer, free from all charges except authorized transportation. Buyer shall be responsible for all maintenance services consisting of lubrication and cleaning of equipment, replacing expandable parts, making minor adjustments, and performing operating checks, all in accordance with procedures outlined in Manufacturer's maintenance literature.

THE FOREGOING WARRANTY IS IN LIEU OF ALL OTHER WARRANTIES AND NO REPRESENTATIONS, GUARANTEES, OR WARRANTIES, EXPRESS OR IMPLIED, (INCLUDING BUT NOT LIMITED TO A WARRANTY OF MERCHANTABILITY OR FITNESS FOR A PARTICULAR PURPOSE), ARE MADE BY THE MANUFACTURER IN CONNECTION WITH THE MANUFACTURE OR SALE OF ITS PRODUCTS. NO EMPLOYEE, DISTRIBUTOR, OR REPRESENTATIVE IS AUTHORIZED TO CHANGE THIS WARRANTY ON BEHALF OF MANUFACTURER. THE REMEDIES OF BUYER SET FORTH HEREIN ARE EXCLUSIVE AND ARE IN LIEU OF ALL OTHER REMEDIES. THE LIABILITY OF MANUFACTURER WHETHER IN CONTRACT, TORT, UNDER ANY WARRANTY, OR OTHERWISE SHALL NOT EXTEND BEYOND ITS OBLIGATION TO REPAIR OR REPLACE, AT ITS OPTION ANY PRODUCT OR PART FOUND BY MANUFACTURER TO BE DEFECTIVE IN MATERIAL OR WORKMANSHIP. MANUFACTURER SHALL NOT BE LIABLE FOR COST OF INSTALLATION AND/OR REMOVAL OR BE RESPONSIBLE FOR DIRECT, INDIRECT, SPECIAL OR CONSEQUENTIAL DAMAGES OF ANY NATURE.

GENERAL RETURNS OF MERCHANDISE

1. All returns must be pre-authorized
 - A. Please call our parts department for an RGA number
 - B. Please include RGA number on the outside of box
 - C. Include any required paper work or special instructions
 - D. Items returned without an RGA number will not be accepted
2. All returns are subject to a 20% restock charge.
3. Special items are non-returnable
 - A. Non-stock parts
 - B. Custom parts
 - C. If you are unsure about a parts status when ordering, ask your McLaughlin representative if the item fits on of the above conditions.
4. Items must be returned within thirty days of original order date.
5. Items not returned within 30 days from the date of RGA is issued will not be accepted.
6. The item(s) must be in new condition. Used item(s) are not returnable.

Notes

A large rectangular box containing 30 horizontal lines, intended for writing notes.