



McLAUGHLIN[®]

2006 Perimeter Road. Greenville, SC 29605
Toll Free: 800/435-9340 - Phone: 864/277-5870
Fax: 864/235-9661 - Website address: www.mightymole.com
Email address: mmole@mightymole.com

Parts Manual
Vermeer/ McLaughlin V750 Vacuum Machine
(Serial #7G011007900 - 7G032207834)

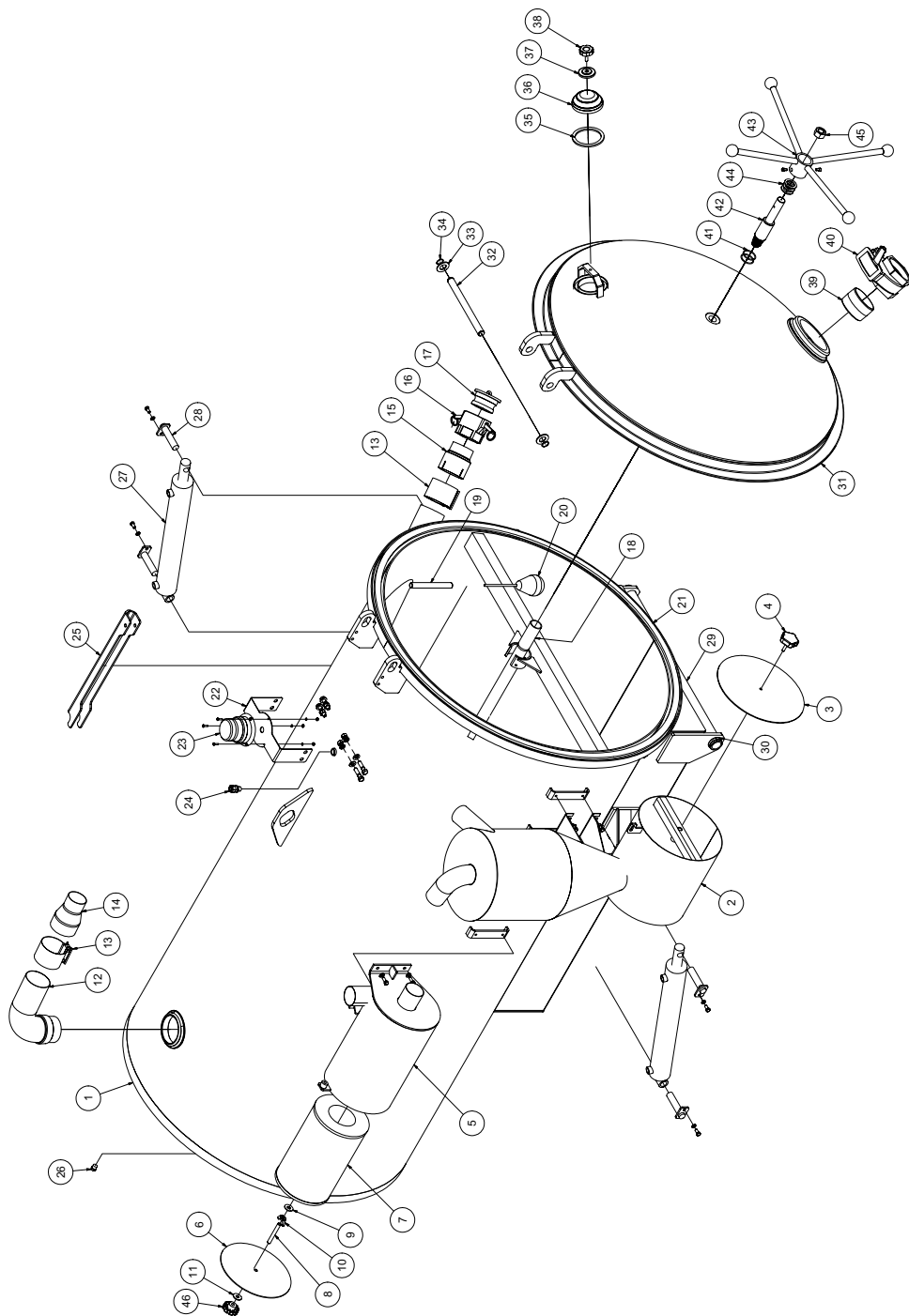
© 2006 by McLaughlin Group, Inc.

041207

All rights reserved. No part of this manual may be reproduced in any form, or by any means without prior written permission of McLaughlin Group, Inc.

Tank and Door Assembly

V750



VACASSY004

Tank and Door Assembly

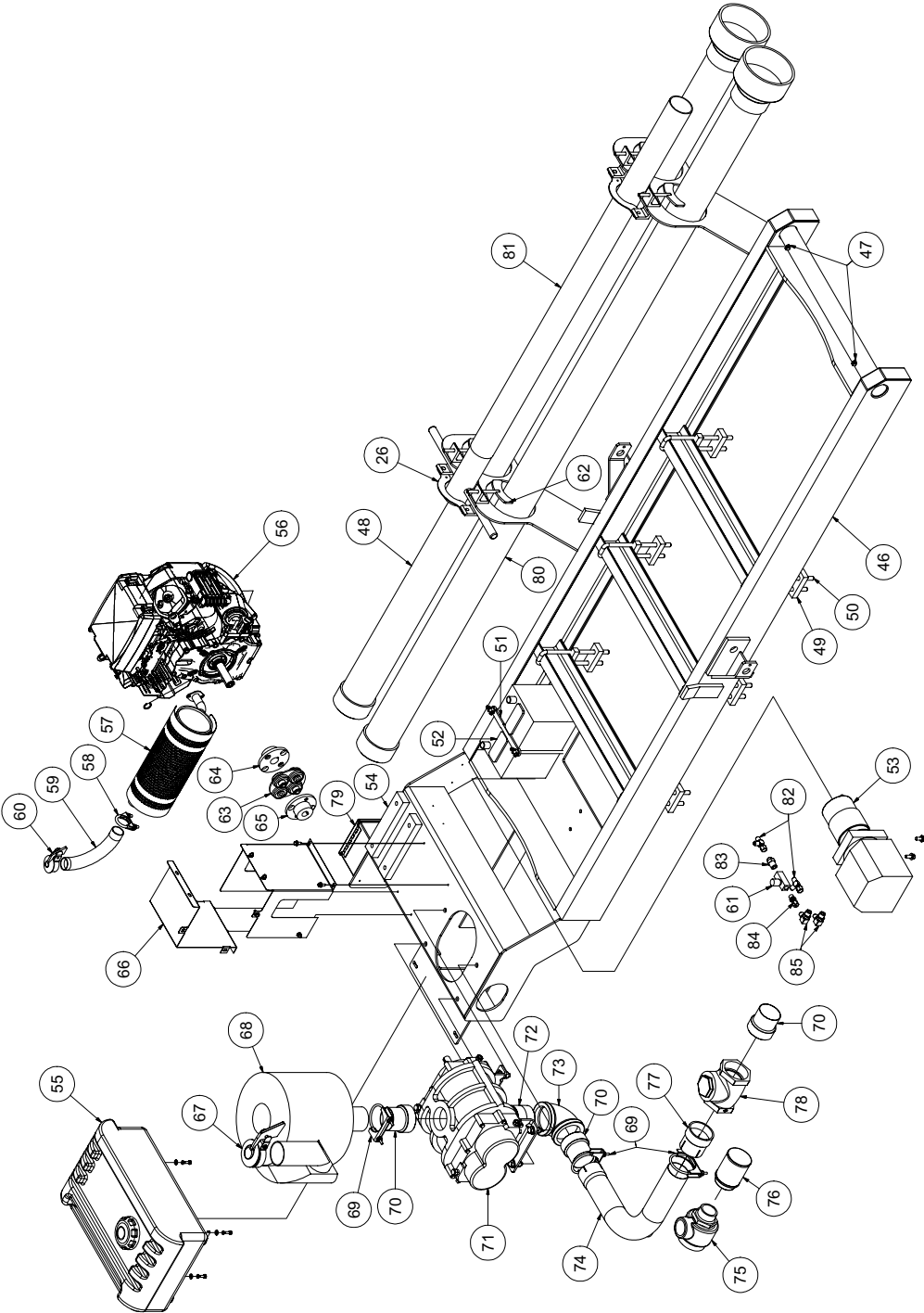
V750

ITEM	QTY	NUMBER	DESCRIPTION	ITEM	QTY	NUMBER	DESCRIPTION
1	1	8040650	TANK	25	1	8041212	SAFETY BRACE
2	1	8040313	CYCLONE SEPARATOR HOUSING	1	1	8041213	CLIP, SAFETY
	4	U000420	SCREW, HC 3/8-16 X 1.00	26			N/A
	4	U200600	WASHER, FLAT 3/8"	27	2	8030359	TANK HYDRAULIC CYLINDER
3	1	8041272	CYCLONE SEPARATOR DOOR	1	1	8041519	HOSE ASSY VAC 6-81 ST-90
	1	8041444	CYCLONE DOOR SEAL	1	1	8041520	HOSE ASSY VAC 6-82 ST-ST
4	1	8041197	CYCLONE KNOB	1	1	8041521	HOSE ASSY VAC 6-55 ST-ST
	1	8041231	WASHER, SEALING 3/8"	1	1	8041522	HOSE ASSY VAC 6-63 ST-90
	1	U210061	NUT, HEX NY 3/8"-16	4		T401270	ELBOW, 8MB - 6MJ (90)
5	1	8040326	AIR FILTER HOUSING	28	4	8030128	CYLINDER PIN
	4	U000420	SCREW, HC 3/8"-16 X 1.00	4	4	U000400	SCREW, HC 3/8-16 X 0.75
	4	U200600	WASHER, FLAT 3/8"	4	4	U210060	WASHER, LOCK 3/8"
6	1	8041534	AIR FILTER HOUSING DOOR	29	1	8030038	TANK PIVOT ROD
	1	8041357	AIR FILTER DOOR SEAL	30	2	8030363	2" SPIRAL SNAP RING
7	1	8031178	AIR FILTER ELEMENT	31	1	8040709	DOOR
8	1	8040302	THREADED ROD	32	1	8040058	DOOR HINGE ROD
9	1	U200100	WASHER, FLAT 1/2"	33	2	U200171	DOOR HINGE WASHER
10	1	8041219	WING NUT, 1/2-13 X 3"	34	2	8030362	1" SNAP RING
11	1	8041232	BONDED SEALING WASHER	35	1	8032007	4" COUPLER GASKET
12	1	8040786	EXHAUST ELBOW	36	1	8031048	SIGHT GLASS
13	2	8030400	4" BAND CLAMP	37	1	8031047	SIGHT GLASS PLATE
14	1	8040791	EXHAUST TUBE REDUCER	38	1	8031046	SIGHT GLASS HAND WHEEL
15	1	8031044	3" SUCTION PORT ADAPTER	39	1	8030892	6" CLOSE NIPPLE
16	1	8030392	3" FEMALE COUPLER	40	1	8030849	GATE VALVE
17	1	8030393	3" COUPLING PLUG	1	1	8041583	COUPLING, AL 6" CAMLOCK
	1	8041485	LANYARD CABLE	1	1	8041584	CAP, AL 6" CAMLOCK
18	1	8040729	TANK ROD	41	2	W200120	ORING #225 BUNA
	4	U000880	SCREW, HC 1/2-13 X 2.00	42	1	8040306	DOOR STRIKER
	4	U100120	NUT, HEX 1/2-13	43	1	8040235	DOOR HANDLE
	8	U200100	WASHER, FLAT 1/2"	2	2	U010040	SCREW, HSH 5/16-18 X 0.50
	3	U010055	SCREW, HSH 5/16-18 X 1.50	4	4	J400060	KNOB
19	1	8040769	HIGH LEVEL FLOAT SWITCH TUBE	44	3	8030174	SPACER
	1	8041291	BUSHING, RUBBER	45	1	U120060	LOCKNUT, NYLON 1" - 8
20	1	8030531	HIGH LEVEL FLOAT SWITCH	46	1	8041218	AIR FILTER KNOB
21	1	8041766	DOOR SEAL	79	1	T405064	PLUG 3/8" NPT
22	1	8040017	STROBE LIGHT BRACKET	*	1	8040822	HOSE VAC KANAFLEX 3-76
	4	U000880	SCREW, HC 1/2-13 X 2.00	*	1	8040823	HOSE VAC KANAFLEX 3-97
	4	U200100	WASHER, FLAT 1/2"	*	1	8040824	HOSE VAC KANAFLEX 3-36
	4	U210111	WASHER, LOCK 1/2"	*	1	8041839	DOOR SEAL GLUE
	4	U100120	NUT, HEX 1/2-13	*	1	8041461	CABLE VAC SO4-216
23	1	8030347	STROBE LIGHT	*	1	8041354	TANK CLEARANCE LIGHT BRACKET
	3	U010006	SCREW, PHILLIPS #10-24 X 1"	*	1	8041509	TANK CLEARANCE LIGHT
	3	U210005	WASHER, LOCK #10				
	3	U100010	NUT, HEX #10-24				
24	1	X000113	1/2" STRAIN RELIEF				

* ITEM NOT SHOWN

VACASSY004

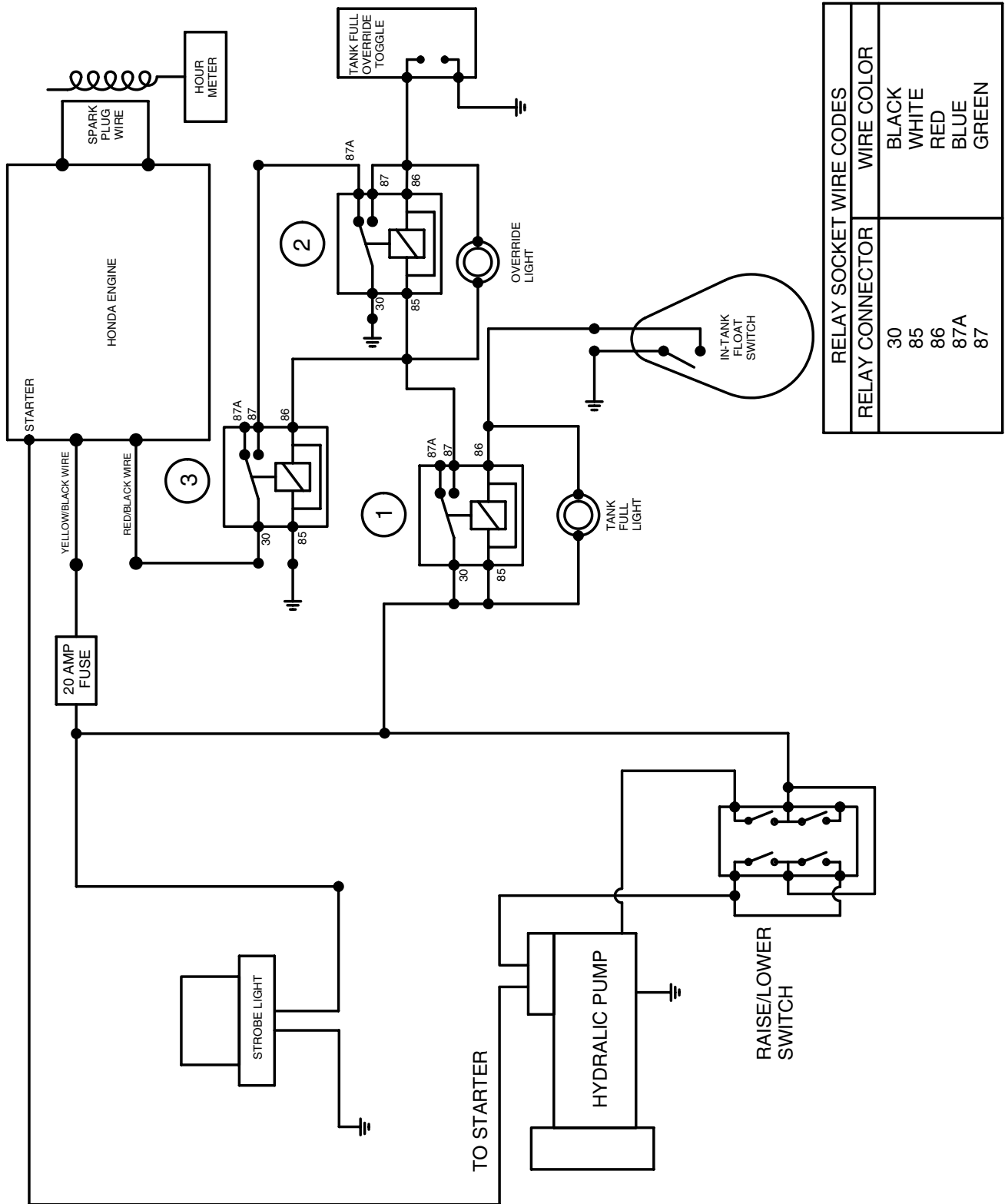
Engine and Skid Assembly



Engine and Skid Assembly

ITEM#	QTY	NUMBER	DESCRIPTION	ITEM#	QTY	NUMBER	DESCRIPTION
26	1	8041337	TOOL CLOSURE	67	1	8030447	3" RAIN CAP
	1	C400119	SCREW, PHILLIPS #10-24 X 3/4"	68	1	8030332	SILENCER
	1	U210005	WASHER, LOCK #10	69	3	8030395	3" U-BOLT CLAMP
	1	8041485	LANYARD	70	3	8030287	3" HOSE X 3" MNPT ADAPTER
46	1	8040656	SKID	71	1	8040000	BLOWER
47	2	T500060	GREASE FITTING		4	U000840	SCREW, HC 1/2-13 X 1.50
48	1	8041111	HOSE STORAGE 4" X 10'		4	U200100	WASHER, FLAT 1/2"
	2	8030435	END CAP 4"		4	U210111	WASHER, LOCK 1/2"
	2	8030427	4" TO 6" PVC REDUCER		4	U100120	NUT, HEX 1/2-13
	2	R700160	R CLIP	72	1	8030403	3" CLOSE NIPPLE
	2	8041101	HOSE STORAGE RETAINING ROD	73	1	8030213	3" FNPT ELBOW
	2	8041485	LANYARD	74	1	8040188	KUNKLE ELBOW
49	6	8040240	U-BOLT MOUNTING BLOCK	75	1	8030337	KUNKLE VALVE
50	6	8040038	U-BOLT WITH NUTS	76	1	8040340	KUNKLE VALVE FILTER
51	1	-	BATTERY HOLD DOWN ASSEMBLY	77	1	8040788	ADAPTER, 3"MNPT-3"ID
	1	8050016	HOLD DOWN BAR	78	1	8040799	SWING CHECK VALVE
	2	8040684	HOLD DOWN THREADED ROD	79	1	8041290	CONTROL BOX (ONLY)
	2	U130040	WING NUT, 3/8-16		1	X000350	HOUR METER
52	1	X400020	BATTERY		1	8041268	SWITCH, OVERRIDE
53	1	8040486	HYDRAULIC POWER PACK	2	8030457	LIGHT, PANEL	
	2	U000420	SCREW, HC 3/8-16 X 1.00	3	8040185	RELAY	
	2	U200600	WASHER, FLAT 3/8"	3	8040184	RELAY SOCKET	
54	2	8040206	ENGINE RISER BLOCK	1	8041077	SWITCH, TANK RAISE	
55	1	8031154	FUEL TANK	1	8030826	FUSE, INLINE HOLDER	
	4	U000040	SCREW, HC 1/4-20 X 0.75	1	8030365	FUSE, 20AMP	
	4	U200020	WASHER, FLAT 1/4"	80	2	8041111	HOSE STORAGE 4" X 10'
	4	U210020	WASHER, LOCK 1/4"		2	8030435	END CAP 4"
56	1	8031157	ENGINE		2	8030427	4" TO 6" PVC REDUCER
	4	U000560	SCREW, HC 3/8-16 X 3.00		2	R700160	R CLIP
	4	U100060	NUT, HEX 3/8-16		2	8041101	HOSE STORAGE RET. ROD
	8	U200600	WASHER, FLAT 3/8"		2	8041485	LANYARD CABLE
	1	E250211	MANUAL BOX	81	1	8030215	TOOL VAC SUCTION 3" COMPLETE
57	1	8031158	ENGINE MUFFLER	82	2	T402153	TEE 6FJ - 6MJ - 6MJ
58	1	8040421	1-1/2" U-BOLT CLAMP	83	1	T400028	UNION 6MP - 6MJ
59	1	8040420	EXHAUST ELBOW	84	1	T400813	UNION, 3/8"FJ - 3/8" MP
60	1	8040422	1-1/2" RAIN CAP	85	2	T401250	ELBOW, 3/8"MB - 3/8"MJ
61	1	8030698	NEEDLE VALVE	*	2	8040250	VACUUM HOSE ASSY 3"X10'
62	2	8040979	HOSE STORAGE HOLD DOWN				
	8	U200060	WASER, FLAT 3/8"				
	8	U100060	NUT, HEX 3/8"				
63	1	P260110	CENTERMEMBER				
	1	8042362	BOLT SET 602	*		NOT SHOWN	
64	1	8042430	HUB 602 2.165"				
	1	8042346	BUSHING 1.125" X 2.165"				
65	1	8042429	HUB 602 1.850"				
	1	8042334	BUSHING .875" X 1.850"				
66	1	8040667	COUPLING GUARDASSEMBLY				
	9	U000040	SCREW, HC 1/4-20 X 0.75				
	9	U100020	NUT, HEX 1/4-20				
	9	U200020	WASHER, FLAT 1/4"				
	9	U210020	WASHER, LOCK 1/4"				

WIRING SCHEMATIC



RELAY SOCKET WIRE CODES	
RELAY CONNECTOR	WIRE COLOR
30	BLACK
85	WHITE
86	RED
87A	BLUE
87	GREEN

WARRANTY RETURN GOODS POLICY

LIMITED WARRANTY

The Manufacturer warrants its products to be free from defects in material and workmanship for a period of twelve months from the date of shipment from the factory. The Manufacturer shall not be responsible for any damage resulting to or caused by its products by reason of installation, improper storage, unauthorized service, alteration of the products, neglect or abuse, or use of the product in a manner inconsistent with its design. The warranty does not extend to any component parts not manufactured by Manufacturer; however, Manufacturer's warranty herein shall not limit any warranties made by manufacturers of component parts which extend to Buyer.

Claims for defects in material and workmanship shall be made in writing to Manufacturer within ten days of discovery of defect. Manufacturer may either send a service representative or have the product returned to its factory at Buyer's expense for inspection. Upon notification of defect, Manufacturer will issue a return goods authorization number to Buyer. The return goods authorization number must accompany the product returned. If judged by the Manufacturer to be defective in material or workmanship, the product will be replaced or repaired at the option of the Manufacturer, free from all charges except authorized transportation. Buyer shall be responsible for all maintenance services consisting of lubrication and cleaning of equipment, replacing expandable parts, making minor adjustments, and performing operating checks, all in accordance with procedures outlined in Manufacturer's maintenance literature.

THE FOREGOING WARRANTY IS IN LIEU OF ALL OTHER WARRANTIES AND NO REPRESENTATIONS, GUARANTEES, OR WARRANTIES, EXPRESS OR IMPLIED, (INCLUDING BUT NOT LIMITED TO A WARRANTY OF MERCHANTABILITY OR FITNESS FOR A PARTICULAR PURPOSE), ARE MADE BY THE MANUFACTURER IN CONNECTION WITH THE MANUFACTURE OR SALE OF ITS PRODUCTS. NO EMPLOYEE, DISTRIBUTOR, OR REPRESENTATIVE IS AUTHORIZED TO CHANGE THIS WARRANTY ON BEHALF OF MANUFACTURER. THE REMEDIES OF BUYER SET FORTH HEREIN ARE EXCLUSIVE AND ARE IN LIEU OF ALL OTHER REMEDIES. THE LIABILITY OF MANUFACTURER WHETHER IN CONTRACT, TORT, UNDER ANY WARRANTY, OR OTHERWISE SHALL NOT EXTEND BEYOND ITS OBLIGATION TO REPAIR OR REPLACE, AT ITS OPTION ANY PRODUCT OR PART FOUND BY MANUFACTURER TO BE DEFECTIVE IN MATERIAL OR WORKMANSHIP. MANUFACTURER SHALL NOT BE LIABLE FOR COST OF INSTALLATION AND/OR REMOVAL OR BE RESPONSIBLE FOR DIRECT, INDIRECT, SPECIAL OR CONSEQUENTIAL DAMAGES OF ANY NATURE.

GENERAL RETURNS OF MERCHANDISE

1. All returns must be pre-authorized
 - A. Please call our parts department for an RGA number
 - B. Please include RGA number on the outside of box
 - C. Include any required paper work or special instructions
 - D. Items returned without an RGA number will not be accepted
2. All returns are subject to a 20% restock charge.
3. Special items are non-returnable
 - A. Non-stock parts
 - B. Custom parts
 - C. If you are unsure about a parts status when ordering, ask your McLaughlin representative if the item fits on of the above conditions.
4. Items must be returned within thirty days of original order date.
5. Items not returned within 30 days from the date of RGA is issued will not be accepted.
6. The item(s) must be in new condition. Used item(s) are not returnable.

Notes

The page contains a large rectangular area for writing, bounded by a thin black border. Inside this area, there are approximately 35 horizontal lines spaced evenly down the page, providing a guide for text entry.