



2006 Perimeter Road. Greenville, SC 29605
Toll Free: 800/435-9340 - Phone: 864/277-5870
Fax: 864/235-9661 - Website address: www.mightymole.com
Email address: mmole@mightymole.com

Parts Manual

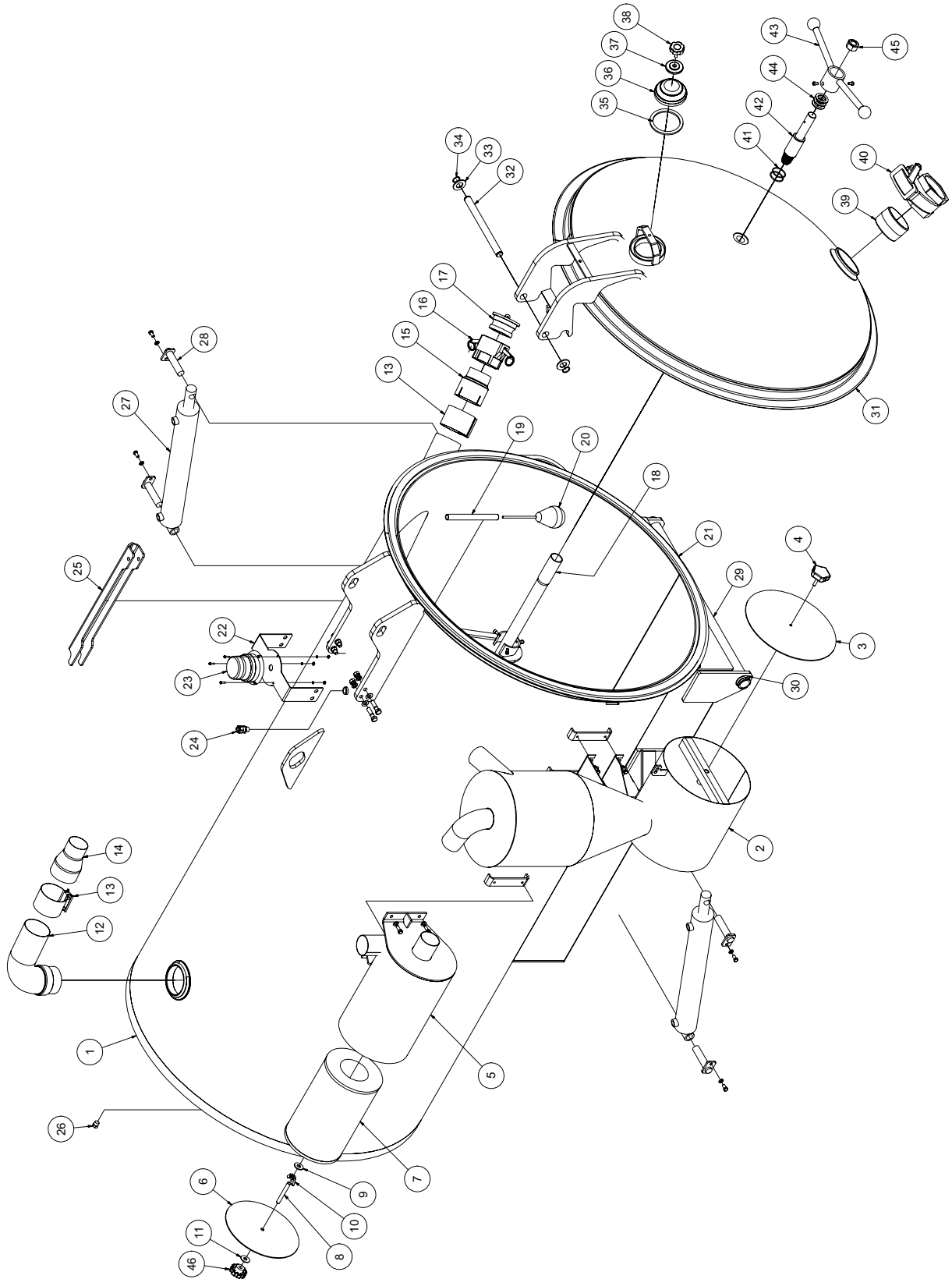
Vermeer/ McLaughlin V750 Vacuum Machine **(Serial #7G071406682 - 7G091106724)**

© 2006 by McLaughlin Group, Inc.

10/03/06

All rights reserved. No part of this manual may be reproduced in any form, or by any means without prior written permission of McLaughlin Group, Inc.

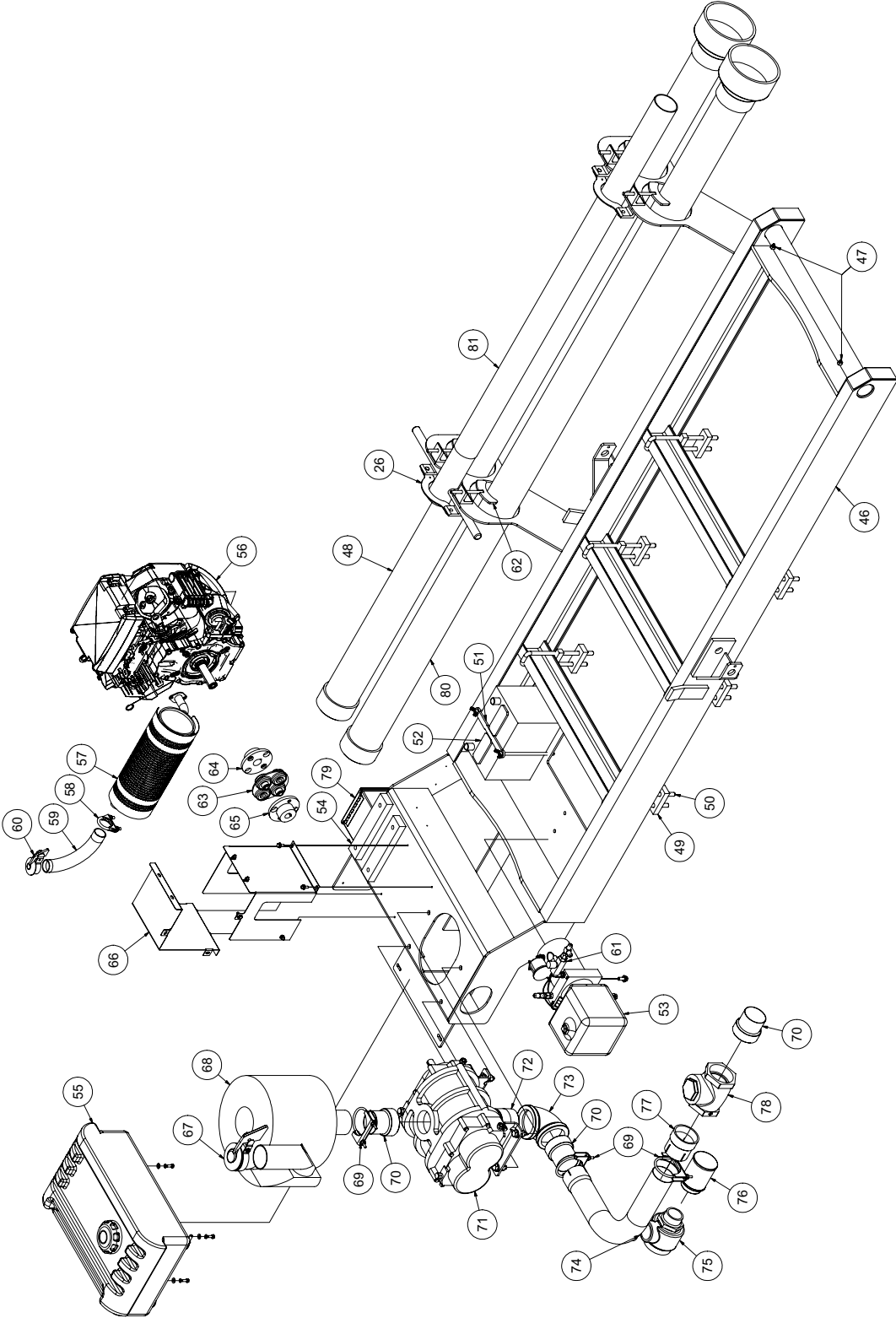
Tank and Door Assembly



Tank and Door Assembly

ITEM#	QTY	NUMBER	DESCRIPTION	ITEM#	QTY	NUMBER	DESCRIPTION
1	1	8040650	TANK	23	1	8030347	STROBE LIGHT
2	1	8040313	CYCLONE SEPARATOR HOUSING	3	U010006	SCREW, PHILLIPS #10-24 X 1"	
	4	U000420	SCREW, HC 3/8-16 X 1.00	3	U210005	WASHER, LOCK #10	
	4	U200600	WASHER, FLAT 3/8"	3	U100010	NUT, HEX #10-24	
3	1	8040315	CYCLONE SEPARATOR DOOR	24	1	X000113	1/2" STRAIN RELIEF
	1	8041444	CYCLONE DOOR SEAL	25	1	8041212	SAFETY BRACE
4	1	8041197	CYCLONE KNOB	1	8041213	CLIP, SAFETY	
	1	8041231	WASHER, SEALING 3/8"	26	1	T405064	PLUG, 3/8" NPT
	1	U210061	NUT, HEX NY 3/8"-16	27	2	8030359	TANK HYDRAULIC CYLINDER
5	1	8040326	AIR FILTER HOUSING	1	8041519	HOSE, HYD CURBSIDE RETURN	
	4	U000420	SCREW, HC 3/8"-16 X 1.00	1	8041520	HOSE, HYD STREETSIDE FEED	
	4	U200600	WASHER, FLAT 3/8"	1	8041521	HOSE, HYD CURSIDE FEED	
6	1	8040043	AIR FILTER HOUSING DOOR	1	8041522	HOSE, HYD STREETSIDE RETURN	
	1	8041357	AIR FILTER DOOR SEAL	4	T401270	ELBOW, 8MB - 6MJ (90)	
7	1	8031178	AIR FILTER ELEMENT	28	4	8030128	CYLINDER PIN
8	1	8040302	THREADED ROD	4	U000400	SCREW, HC 3/8-16 X 0.75	
9	1	8031036	SEALING WASHER	4	U210060	WASHER, LOCK 3/8"	
10	1	8041219	WING NUT, 1/2-13 X 3"	29	1	8030038	TANK PIVOT ROD
11	1	U200110	FLAT WASHER, 1/2" HARDENED	30	2	8030363	2" SPIRAL SNAP RING
12	1	8040786	EXHAUST ELBOW	31	1	8040709	DOOR
13	2	8030400	4" BAND CLAMP	32	1	8040058	DOOR HINGE ROD
14	1	8040791	EXHAUST TUBE REDUCER	33	5	U210200	DOOR HINGE WASHER
15	1	8031044	3" SUCTION PORT ADAPTER	34	2	U500020	1" SNAP RING
16	1	8030392	3" FEMALE COUPLER	35	1	8032007	4" COUPLER GASKET
17	1	8030393	3" COUPLING PLUG	36	1	8031048	SIGHT GLASS
18	1	8040729	TANK ROD	37	1	8031047	SIGHT GLASS PLATE
	4	U000880	SCREW, HC 1/2-13 X 2.00	38	1	8031046	SIGHT GLASS HAND WHEEL
	4	U100120	NUT, HEX 1/2-13	39	1	8030431	4" CLOSE NIPPLE
	8	U200100	WASHER, FLAT 1/2"	40	1	8060916	GATE VALVE
	3	U010055	SCREW, HSH 5/16-18 X 1.50	41	2	W200120	ORING #225 BUNA
19	1	8040769	HIGH LEVEL FLOAT SWITCH TUBE	42	1	8040306	DOOR STRIKER
20	1	8030531	HIGH LEVEL FLOAT SWITCH	43	1	8040235	DOOR HANDLE
21	1	8040875	DOOR SEAL	2	U010040	SCREW, HSH 5/16-18 X 0.50	
22	1	8040017	STROBE LIGHT BRACKET	2	J400060	KNOB	
	4	U000880	SCREW, HC 1/2-13 X 2.00	44	3	8030174	SPACER
	4	U200100	WASHER, FLAT 1/2"	45	1	U120060	LOCKNUT, NYLON 1" - 8
	4	U210111	WASHER, LOCK 1/2"	46	1	8041218	AIR FILTER KNOB
	4	U100120	NUT, HEX 1/2-13				

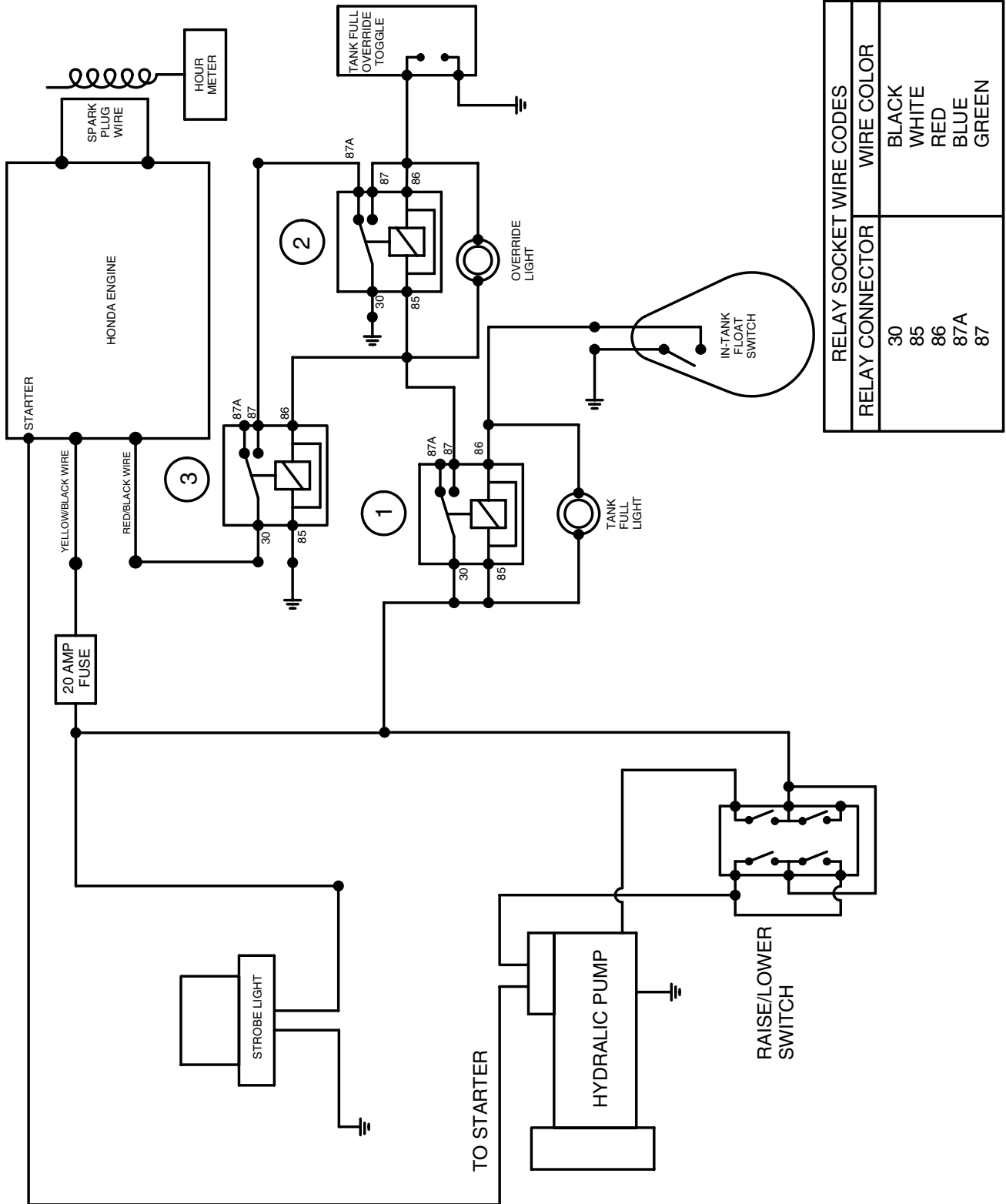
Engine and Skid Assembly



Engine and Skid Assembly

ITEM#	QTY	NUMBER	DESCRIPTION	ITEM#	QTY	NUMBER	DESCRIPTION
26	1	8041337	TOOL CLOSURE	62	2	8040979	HOSE STORAGE HOLD DOWN
	1	C400119	SCREW, PHILLIPS #10-24 X 3/4"		8	U200060	WASER, FLAT 3/8"
	1	U210005	WASHER, LOCK #10		8	U100060	NUT, HEX 3/8"
	1	8041485	LANYARD	63	1	8040199	COUPLING ELEMENT
46	1	8040656	SKID	64	1	8040199R	COUPLING RING
47	2	T500060	GREASE FITTING	65	1	8040772	BUSHING - BLOWER SIDE
48	1	8041111	HOSE STORAGE 4" X 10'	66	1	8040667	COUPLING GUARD ASSEMBLY
	2	8030435	END CAP 4"		9	U000040	SCREW, HC 1/4-20 X 0.75
	2	8030427	4" TO 6" PVC REDUCER		9	U100020	NUT, HEX 1/4-20
	2	R700160	R CLIP		9	U200020	WASHER, FLAT 1/4"
	2	8041101	HOSE STORAGE RETAINING ROD		9	U210020	WASHER, LOCK 1/4"
	2	8041485	LANYARD	67	1	8030447	3" RAIN CAP
49	6	8040240	U-BOLT MOUNTING BLOCK	68	1	8030332	SILENCER
50	6	8040038	U-BOLT WITH NUTS	69	3	8030395	3" U-BOLT CLAMP
51	1	-	BATTERY HOLD DOWN ASSEMBLY	70	3	8030287	3" HOSE X 3" MNPT ADAPTER
	1	8050016	HOLD DOWN BAR	71	1	8040000	BLOWER
	2	8040684	HOLD DOWN THREADED ROD		4	U000840	SCREW, HC 1/2-13 X 1.50
	2	U130040	WING NUT, 3/8-16		4	U200100	WASHER, FLAT 1/2"
52	1	X400020	BATTERY		4	U210111	WASHER, LOCK 1/2"
53	1	8040486	HYDRAULIC POWER PACK		4	U100120	NUT, HEX 1/2-13
	2	U000420	SCREW, HC 3/8-16 X 1.00	72	1	8030403	3" CLOSE NIPPLE
	2	U200600	WASHER, FLAT 3/8"	73	1	8030213	3" FNPT ELBOW
54	2	8040206	ENGINE RISER BLOCK	74	1	8040188	KUNKLE ELBOW
55	1	8031154	FUEL TANK	75	1	8030337	KUNKLE VALVE
	4	U000040	SCREW, HC 1/4-20 X 0.75	76	1	8040340	KUNKLE VALVE FILTER
	4	U200020	WASHER, FLAT 1/4"	77	1	8040788	ADAPTER, 3"MNPT-3"ID
	4	U210020	WASHER, LOCK 1/4"	78	1	8040799	SWING CHECK VALVE
56	1	8031157	ENGINE	79	1	8041290	CONTROL BOX (ONLY)
	4	U000560	SCREW, HC 3/8-16 X 3.00		1	X000350	HOSE METER
	4	U100060	NUT, HEX 3/8-16		1	8041268	SWITCH, OVERRIDE
	8	U200600	WASHER, FLAT 3/8"		2	8030457	LIGHT, PANEL
	1	E250211	MANUAL BOX		3	8040185	RELAY
57	1	8031158	ENGINE MUFFLER		3	8040184	RELAY SOCKET
58	1	8040421	1-1/2" U-BOLT CLAMP		1	8041077	SWITCH, TANK RAISE
59	1	8040420	EXHAUST ELBOW		1	8030826	FUSE, INLINE HOLDER
60	1	8040422	1-1/2" RAIN CAP		1	8030365	FUSE, 20AMP
61	-	-	HYDRAULIC FITTINGS	80	2	8041111	HOSE STORAGE 4" X 10'
	2	T400037	UNION 6MB - 6MJ		2	8030435	END CAP 4"
	2	T401228	ELBOW 6FJ - 6MJ (90)		2	8030427	4" TO 6" PVC REDUCER
	1	T400083	UNION 6FJ - 6FP		2	R700160	R CLIP
	1	T400803	UNION 6MP - 6MP		2	8041101	HOSE STORAGE RET. ROD
	1	8030698	NEEDLE VALVE		2	8041485	LANYARD CABLE
	1	T400028	UNION 6MP - 6MJ	81	1	8030215	VACUUM TOOL 3"
	2	T402153	TEE 6FJ - 6MJ - 6MJ	*	2	8040250	VACUUM HOSE ASSY 3"X10'

WIRING SCHEMATIC



RELAY SOCKET WIRE CODES	
RELAY CONNECTOR	WIRE COLOR
30	BLACK
85	WHITE
86	RED
87A	BLUE
87	GREEN

WARRANTY RETURN GOODS POLICY

LIMITED WARRANTY

The Manufacturer warrants its products to be free from defects in material and workmanship for a period of twelve months from the date of shipment from the factory. Hole Hammer pistons, bodies, and nose pieces are warranted to be free from defects in material and workmanship for a period of three years from the date of shipment from the factory. The Manufacturer shall not be responsible for any damage resulting to or caused by its products by reason of installation, improper storage, unauthorized service, alteration of the products, neglect or abuse, or use of the product in a manner inconsistent with its design. This warranty does not extend to any component parts not manufactured by Manufacturer; however, Manufacturer's warranty herein shall not limit any warranties made by manufacturers of component parts which extend to Buyer.

Claims for defects in material and workmanship shall be made in writing to Manufacturer within ten days of discovery of defect. Manufacturer may either send a service representative or have the product returned to its factory at Buyer's expense for inspection. Upon notification of defect, Manufacturer will issue a return goods authorization number to Buyer. The return goods authorization number must accompany the product returned. If judged by the Manufacturer to be defective in material or workmanship, the product will be replaced or repaired at the option of the manufacturer, free from all charges except authorized transportation. Buyer shall be responsible for all maintenance services consisting of lubrication and cleaning of equipment, replacing expandable parts, making minor adjustments, and performing operating checks, all in accordance with procedures outlined in Manufacturer's maintenance literature.

THE FOREGOING WARRANTY IS IN LIEU OF ALL OTHER WARRANTIES AND NO REPRESENTATIONS, GUARANTEES, OR WARRANTIES, EXPRESS OR IMPLIED, (INCLUDING BUT NOT LIMITED TO A WARRANTY OF MERCHANTABILITY OR FITNESS FOR A PARTICULAR PURPOSE), ARE MADE BY THE MANUFACTURER IN CONNECTION WITH THE MANUFACTURE OR SALE OF ITS PRODUCTS. NO EMPLOYEE, DISTRIBUTOR, OR REPRESENTATIVE IS AUTHORIZED TO CHANGE THIS WARRANTY ON BEHALF OF MANUFACTURER THE REMEDIES OF BUYER SET FORTH HEREIN ARE EXCLUSIVE AND ARE IN LIEU OF ALL OTHER REMEDIES. THE LIABILITY OF MANUFACTURER WHETHER IN CONTRACT, TORT, UNDER ANY WARRANTY, OR OTHERWISE SHALL NOT EXTEND BEYOND ITS OBLIGATION TO REPAIR OR REPLACE, AT ITS OPTION ANY PRODUCT OR PART FOUND BY MANUFACTURER TO BE DEFECTIVE IN MATERIAL OR WORKMANSHIP. MANUFACTURER SHALL NOT BE LIABLE FOR COST OF INSTALLATION AND/OR REMOVAL OR BE RESPONSIBLE FOR DIRECT, INDIRECT, SPECIAL OR CONSEQUENTIAL DAMAGES OF ANY NATURE.

GENERAL RETURNS OF MERCHANDISE

1. All returns must be pre-authorized
 - A. Please call our parts department for an RGA number
 - B. Please include RGA number on the outside of box
 - C. Include any required paper work or special instructions
 - D. Items returned without an RGA number will not be accepted
2. All returns are subject to a 20% restock charge.
3. Special items are non-returnable
 - A. Non-stock parts
 - B. Custom parts
 - C. If you are unsure about a parts status when ordering, ask your McLaughlin representative if the item fits on of the above conditions.
4. Items must be returned within thirty days of original order date.
5. Items not returned within 30 days from the date of RGA is issued will not be accepted.
6. The item(s) must be in new condition. Used item(s) are not returnable.

Notes

A large rectangular box containing 30 horizontal lines for writing notes.