



**McLAUGHLIN®**

Toll Free: 800/435-9340 - Phone: 864/277-5870  
Fax: 864/235-9661 - Website address: [www.mightymole.com](http://www.mightymole.com)  
Email address: [mmole@mightymole.com](mailto:mmole@mightymole.com)

**Parts Manual**  
**Vermeer/ McLaughlin V800 Vacuum Machine**  
**Part # E850806**  
**(SERIAL # 8D013008975- PRESENT)**

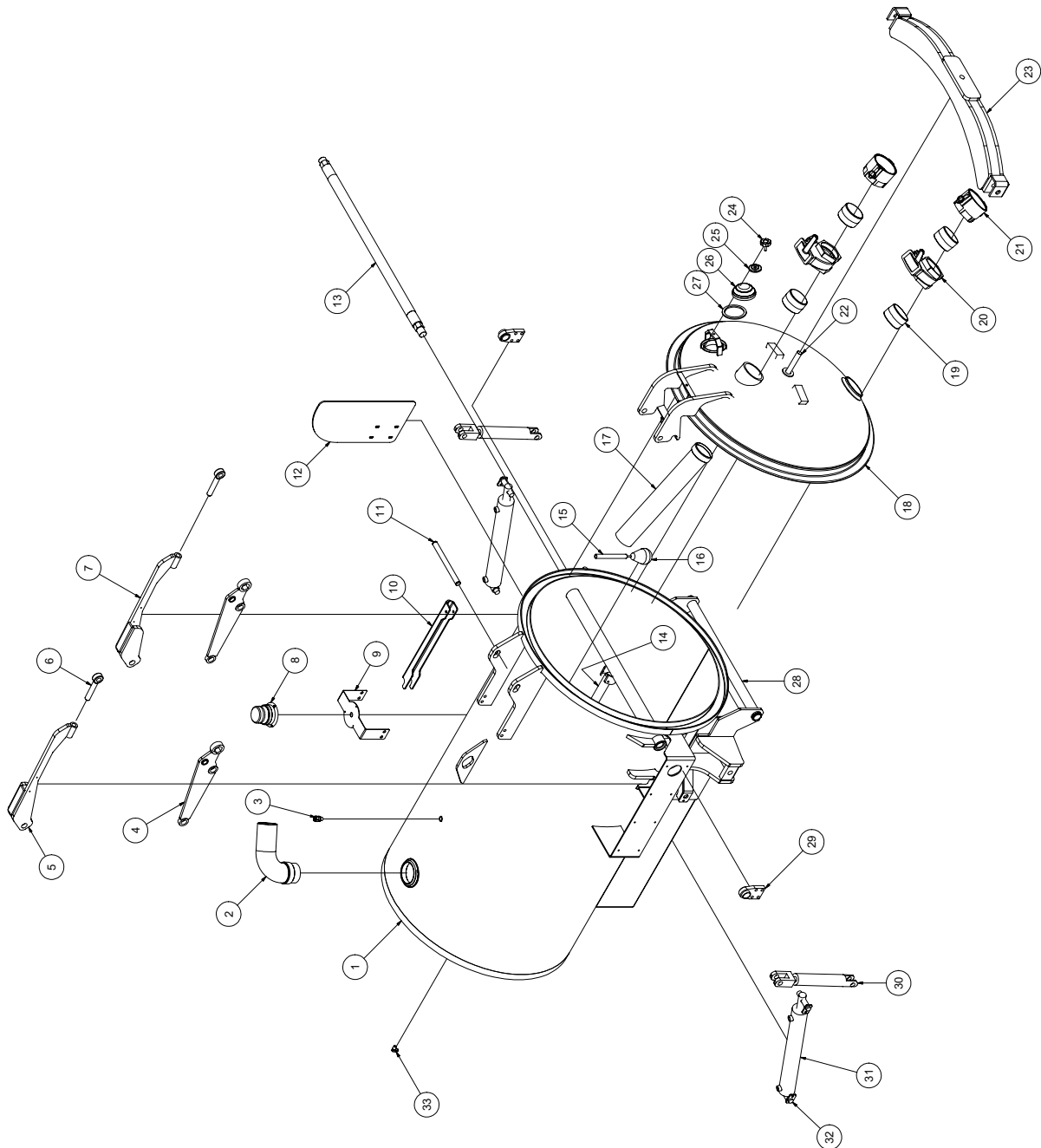
© 2008 by McLaughlin Group, Inc.

020108

All rights reserved. No part of this manual may be reproduced in any form, or by any means without prior written permission of McLaughlin Group, Inc.

# Tank and Door Assembly

# V800



VACASSY015

# Tank and Door Assembly

# V800

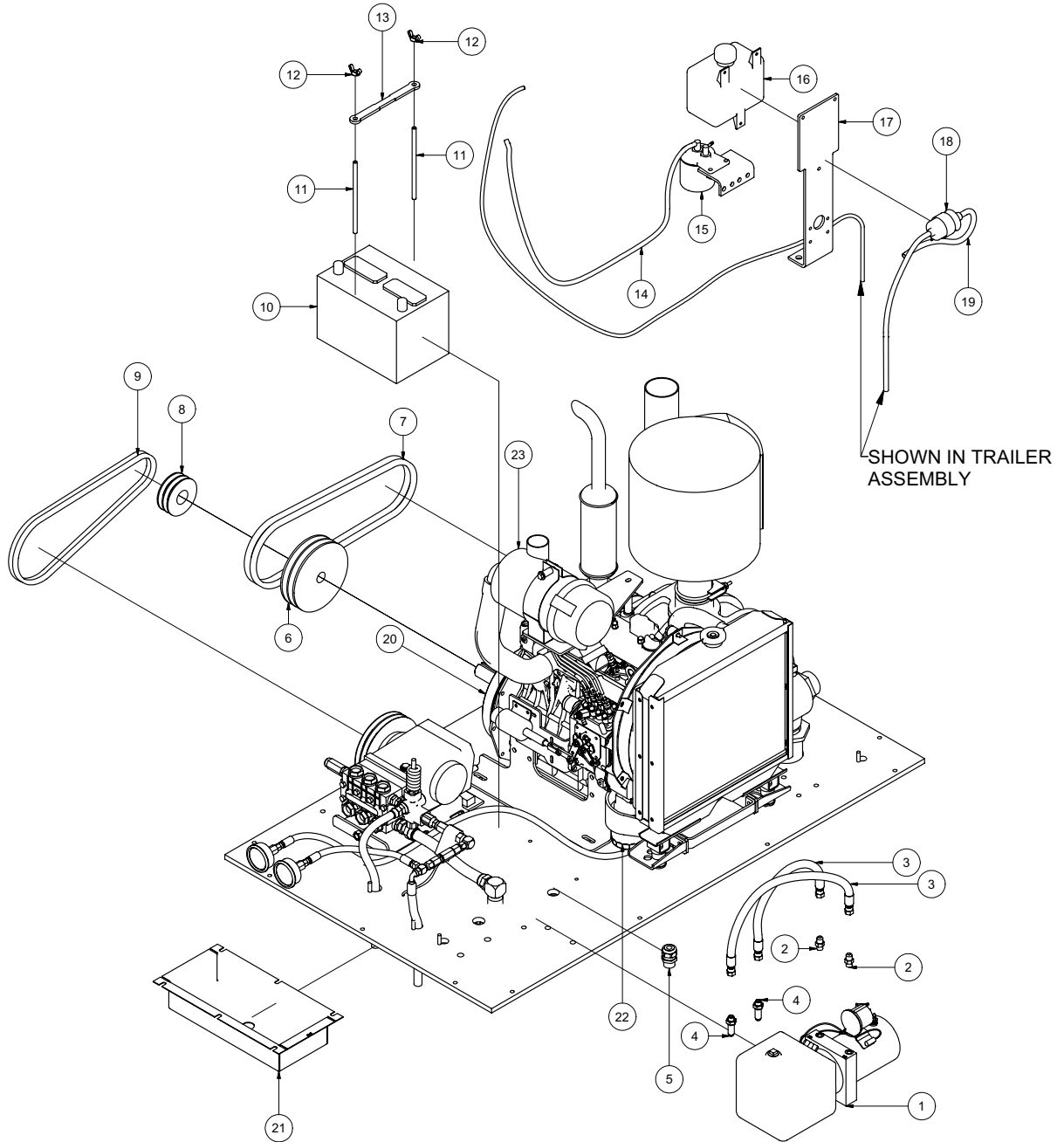
ITEM#	QTY	NUMBER	DESCRIPTION	ITEM#	QTY	NUMBER	DESCRIPTION
1	1	8042123	TANK	21	2	8032005	4" FEMALE COUPLER
2	1	8040786	EXHAUST ELBOW	22	1	8041374	DOOR BOLT
3	1	X000113	1/2" STRAIN RELIEF		1	U120060	NUT, NYLOCK 1"-8
4	2	8041604	SHORT LINKAGE		1	U200170	WASHER, FLAT 1"
	2	8041524	1" BUSHING	23			N/A
5	1	8041375	LONG LINKAGE STREETSIDE				N/A
	2	8041524	1" BUSHING				N/A
	1	8041770	PLASTIC WEAR PLATE	24	1	8031046	SIGHT GLASS HAND WHEEL
	2	U010800	SCREW, SFH 1/4"-20 X 3/4"	25	1	8031047	SIGHT GLASS PLATE
6	2	8041328	1" ROD END	26	1	8031048	SIGHT GLASS
	1	8041524	1" BUSHING	27	1	8032007	4" COUPLER GASKET
7	1	8041369	LONG LINKAGE CURBSIDE	28	1	8030038	TANK PIVOT ROD
	2	8041524	1" BUSHING		2	8030363	2" SPIRAL SNAP RING
	1	8041770	PLASTIC WEAR PLATE	29	2	8041621	OUTER BEARING PLATE
	2	U010800	SCREW, SFH 1/4"-20 X 3/4"		1	8041602	2" FLANGED BUSHING
8	1	8030347	STROBE LIGHT	8	U000840	SCREW, HC 1/2"-13 X 1 1/2"	
	3	U010006	SCREW, PHILLIPS #10-24 X 1"	8	U210100	WASHER, 1/2" LOCK	
	3	U210005	WASHER, LOCK #10	8	U200100	WASHER, 1/2" FLAT	
	3	U100010	NUT, HEX #10-24	30	2	8041327	DOOR LOCK CYLINDERS
9	1	8041753	STROBE LIGHT BRACKET		2	8041625	1" X 2 3/4" CLEVIS PIN
	4	U000880	SCREW, HC 1/2"-13 X 2"		4	U200170	WASHER, FLAT 1"
	4	U200100	WASHER, FLAT 1/2"		2	T400611	REDUCER #8MB - #4MJ
	4	U210111	WASHER, LOCK 1/2"		1	8042354	HOSE ASSY VAC 4-160 ST-ST
	4	U100120	NUT, HEX 1/2"-13		1	8042355	HOSE ASSY VAC 4-60 ST-ST
10	1	8041212	SAFETY BRACE		1	8042356	HOSE ASSY VAC 4-48 ST-ST
	1	8041213	CLIP, SAFETY		2	T402035	TEE 4MJ 4MJ 4MJ
11	1	8040058	DOOR HINGE ROD	31	2	8030955	SPOIL TANK HYDRAULIC CYLINDER
	2	U210200	DOOR HINGE WASHER		4	T401270	ELBOW, 90 8MB-6MJ
	2	U500020	1" SNAP RING		1	8041475	HOSE ASSY VAC 6-130 ST-90
12	1	8041635	HYDRAULIC ARM GUARD		1	8041476	HOSE ASSY VAC 6-150 ST-90
	4	U000040	SCREW, HC 1/4"-20 X 3/4"		1	8041477	HOSE ASSY VAC 6-140 ST-ST
	4	U200020	WASHER, FLAT 1/4"		1	8041478	HOSE ASSY VAC 6-160 ST-ST
	4	U210020	WASHER, LOCK 1/4"	32	4	8030128	CYLINDER PIN
13	1	8042262	LINKAGE CROSS TUBE		4	U000400	SCREW, HC 3/8-16 X 0.75
	2	8041602	2" FLANGED BUSHING		4	U210060	WASHER, LOCK 3/8"
14	1	8042324	TANK ROD	33	1	8030498	ELBOW, 90 3/8MP 3/8MJ
	1	8030446	O-RING #328 BUNA	*	1	8041461	CABLE VAC SO4-216
	4	U000880	SCREW, HC 1/2"-13 X 2"	*	1	8031242	WORK LIGHT
	4	U100120	NUT, HEX 1/2"-13	*	1	8041354	BRACKET, CLEARANCE LIGHT
	8	U200100	WASHER, FLAT 1/2"	*	1	8041509	TANK CLEARANCE LIGHT
	3	U010055	SCREW, HSH 5/16-18 X 1 1/2"	*	1	8041765	DOOR SEAL
	3	8030369	TANK CLEANOUT NOZZLES	*	1	8041728	SAFETY PIN
15	1	8042353	HIGH LEVEL FLOAT SWITCH TUBE	*	1	8041787	HOSE ASSY VAC 4-125 ST-ST
	1	8041291	BUSHING, RUBBER	*	1	T401100	ELBOW, 90 4MP-4MJ
16	1	8030531	HIGH LEVEL FLOAT SWITCH				
17			N/A				
18	1	8042169	DOOR				
19	4	8030431	4" CLOSE NIPPLE				
20	2	8030916	GATE VALVE				

\* NOT SHOWN

VACASSY015

# Power Pack Assembly

# V800



VACASSY103

# Power Pack Assembly

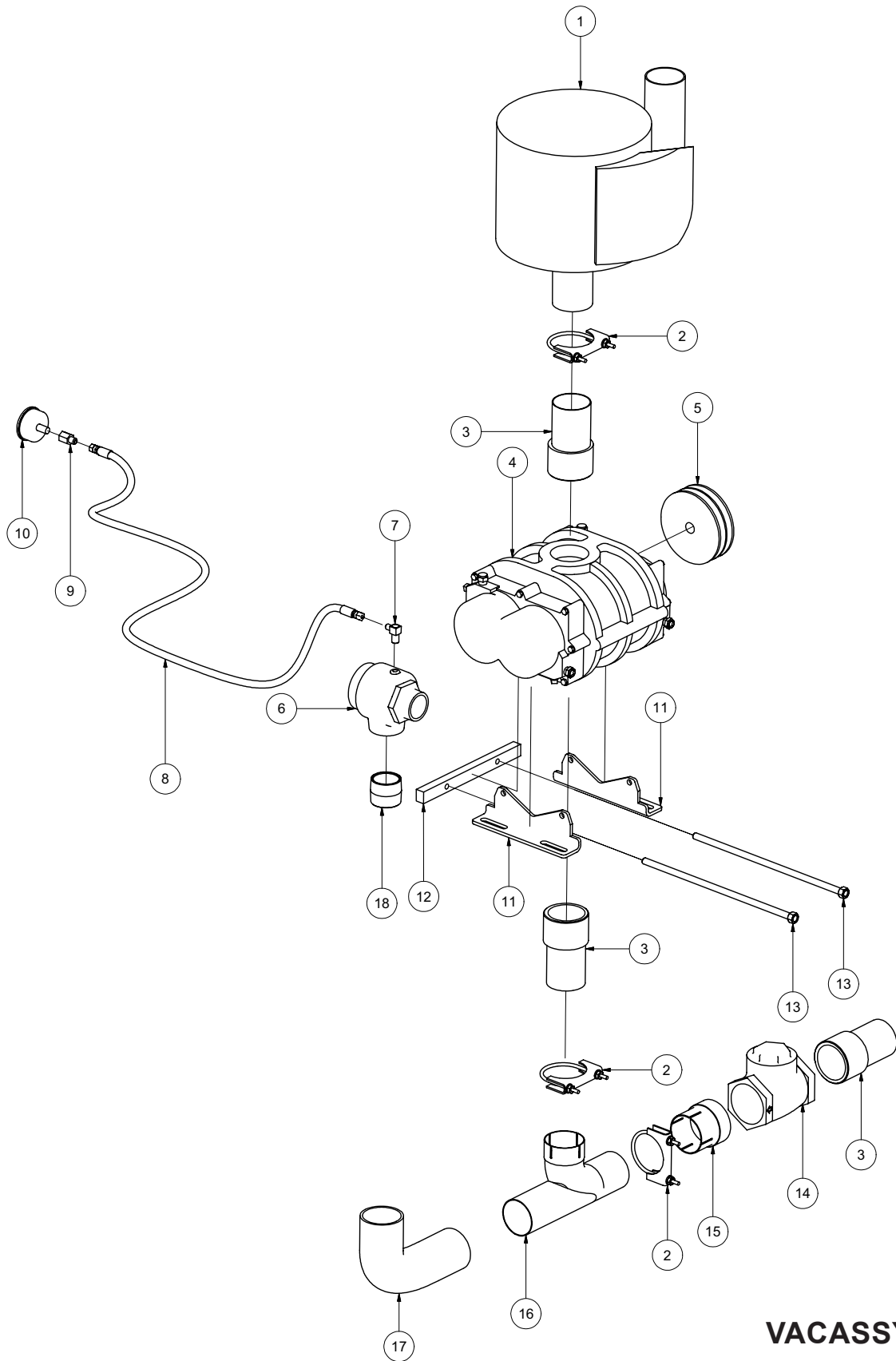
# V800

ITEM	QTY	NUMBER	DESCRIPTION
1	1	8041601	HYDRAULIC POWER PACK, 12V
	2	U000420	SCREW, HC 3/8"-16 X 1"
	2	U210060	WASHER, LOCK 3/8"
	2	U200600	WASHER, FLAT 3/8"
	2	T400037	UNION 6MB-6MJ
3	2	8040973	HOSE ASSEMBLY HYDRAULIC
4	2	T400391	BULKHEAD 6MP 6MP
5	1	X000112	CONNECTOR, PANEL 3/4 MNPT-3/4FNPT
	1	X000109	STRAIN RELIEF, 3/4"
	1	X000108	3/4" COUPLING NUT
6	1	8040484	SHEAVE 6.95 DIA 2 GROOVE
	1	8040960	BUSHING 1-7/16" SDS
	1	U410125	KEY 3/8" X 3/8" X 2"
7	2	8040962	BELT BX46
8	1	8030970	SHEAVE 375DIA 2 GROOVE
	1	8030971	BUSHING 1-7/16" H
	1	U410125	KEY 3/8" X 3/8" X 2"
9	2	8034157	BELT AX39
10	1	X400050	BATTERY, 31-MHD WORKAHOLIC
	1	X300218	BATTERY CABLE (NEG) 1 GAGE -18"
	1	X300242	BATTERY CABLE (POS) 4 GAGE - 42"
11	2	8040684	ROD, BATTERY HOLD DOWN
12	2	U130040	NUT, WING 3/8"-16
13	1	8050016	BATTERY HOLD DOWN
14	1	8041517	HOSE, FUEL 36" (FUEL FILTER - ENGINE)
	2	U800015	CLAMP, HOSE 04 - 5/8"
15	1	T700045	KUBOTA FUEL FILTER
	2	U000060	SCREW, HC 1/4"-20 X 1"
	4	U200020	WASHER, FLAT 1/4"
	2	U210020	WASHER, LOCK 1/4"
	1	8040577	WATER REGULATOR/OVERFLOW BRACKET
16	2	U000817	SCREW, HC 1/2"-13 X 1"
	2	U210100	WASHER, LOCK 1/2"
	2	U200100	WASHER, FLAT 1/2"
	1	8040645	TANK, OVERFLOW COOLANT
17	1	U000060	SCREW, HC 1/4"-20 X 1"
	2	U000040	SCREW, HC 1/4"-20 X 3/4"
	6	U200020	WASHER, FLAT 1/4"
	3	U210020	WASHER, LOCK 1/4"
	3	U100020	NUT, HEX 1/4"-20
	1	8030453	PUMP, ELECTRIC FUEL
19	1	8041474	HOSE, FUEL 14" (FUEL PUMP - FUEL FILTER)
	2	U800015	CLAMP, HOSE 04 - 5/8"
20	1	8030342	KUBOTA V1505
	1	8030342-1	MUFFLER
	4	U000820	SCREW, HC 1/2"-13 X 1 1/4"
	4	U210100	WASHER, LOCK 1/2"
	4	U200100	WASHER, FLAT 1/2"
21	1	8040990	DRIP PAN
	6	U000040	SCREW, HC 1/4 - 20 X .750
	6	U210020	WASHER, LOCK 1/4"
22	6	U200020	WASHER, FLAT 1/4"
	1	T700075	KUBOTA OIL FILTER
23	1	T700150	KUBOTA AIR FILTER ELEMENT
*	4	8031392	ISOLATOR
	4	U000560	SCREW, HC 3/8"-16 X 3"
	4	8030389	WASHER, SNUBBING
	4	U210060	WASHER, LOCK 3/8"
	4	U100060	NUT, HEX 3/8-16
	8	U000420	SCREW, HC 3/8"-16 X 1"
	16	U200060	WASHER, FLAT 3/8"
	8	U210060	WASHER, LOCK 3/8"
	8	U100060	NUT, HEX 3/8-16

VACASSY103

# Blower Assembly

# V800



VACASSY203

# Blower Assembly

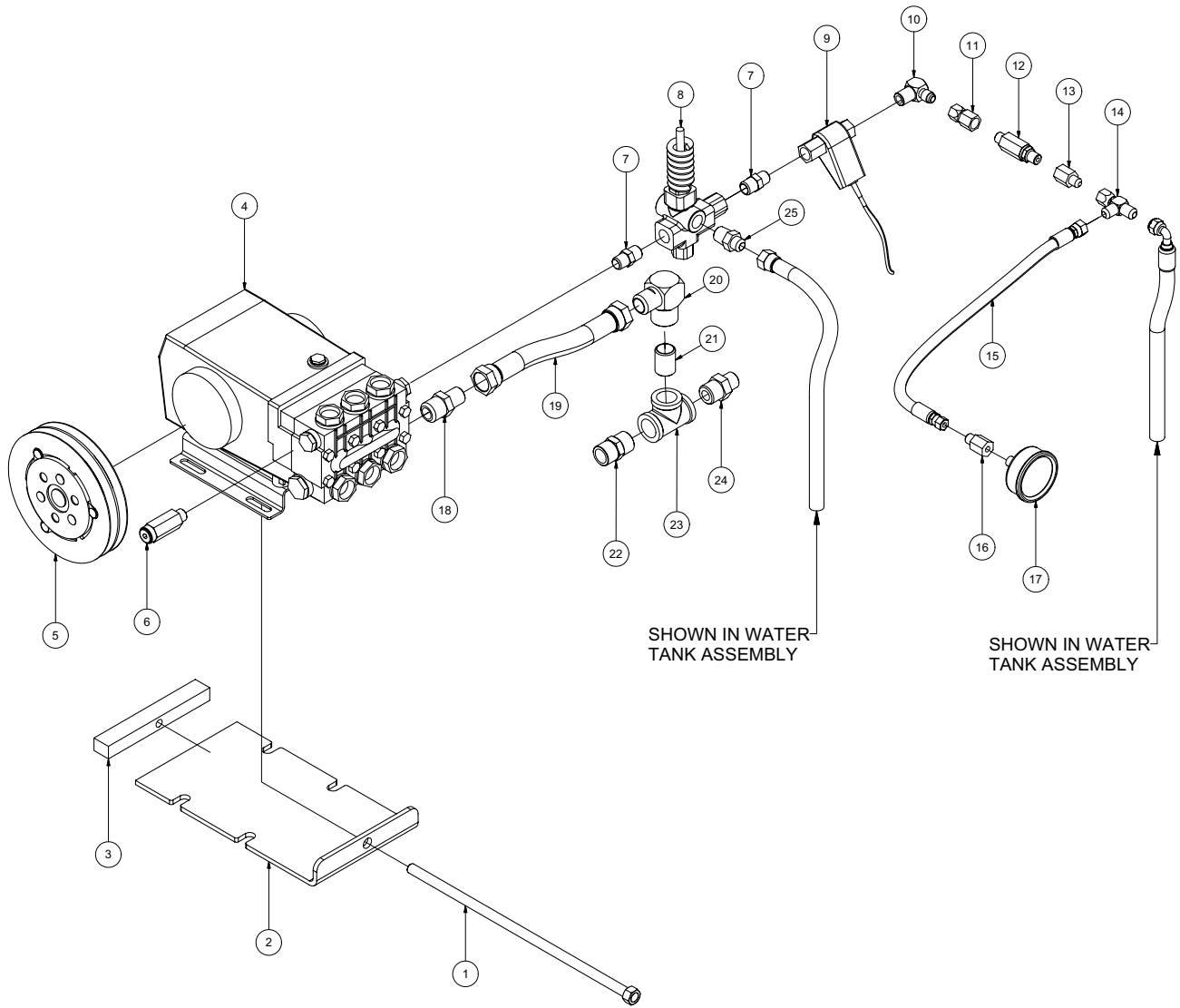
## V800

ITEM	QTY	NUMBER	DESCRIPTION
1	1	8030332	SILENCER, 575 CFM, COWL
2	3	8030395	3" U-BOLT CLAMP
3	3	8030287	3" HOSE X 3" MNPT ADAPTER
4	1	8041250	BLOWER (MODEL 47)
	4	U000817	SCREW, HC 1/2"-13 X 1"
	4	U210100	WASHER, LOCK 1/2"
	4	U200100	WASHER, FLAT 1/2"
5	1	8040945	SHEAVE 5.95 DIA 2 GROOVE
	1	8040642	BUSHING 7/8" SDS
	1	U410042	KEY 3/16" X 3/16" X 2"
6	1	8030337	KUNKLE VALVE, 575 CFM
7	1	T401100	ELBOW 4MP 4MJ 90
8	1	8040970	HOSE ASSEMBLY VACUUM GAUGE
9	1	8030483	UNION, 4FP 4MJ
10	1	8030371	VACUUM GAUGE
11	2	8040559	BLOWER FOOT (MODEL 47)
12	1	8040702	TENSION BLOCK 575 CFM
13	2	8040751	BLOWER TENSIONER ROD
14	1	8040799	CHECK VALVE 3" FNPT
15	1	8040788	EXHAUST ADAPTER 3"MNPT - 3"ID
16	1	8041033	HEADER INLET-BLOWER WELD'T
17	1	8040984	3" INLET HEADER HOSE
18	1	8030409	2" CLOSE NIPPLE

VACASSY203

# Water Pump Assembly

# V800



SHOWN IN WATER-TANK ASSEMBLY

SHOWN IN WATER-TANK ASSEMBLY

VACASSY302



# Water Pump Assembly

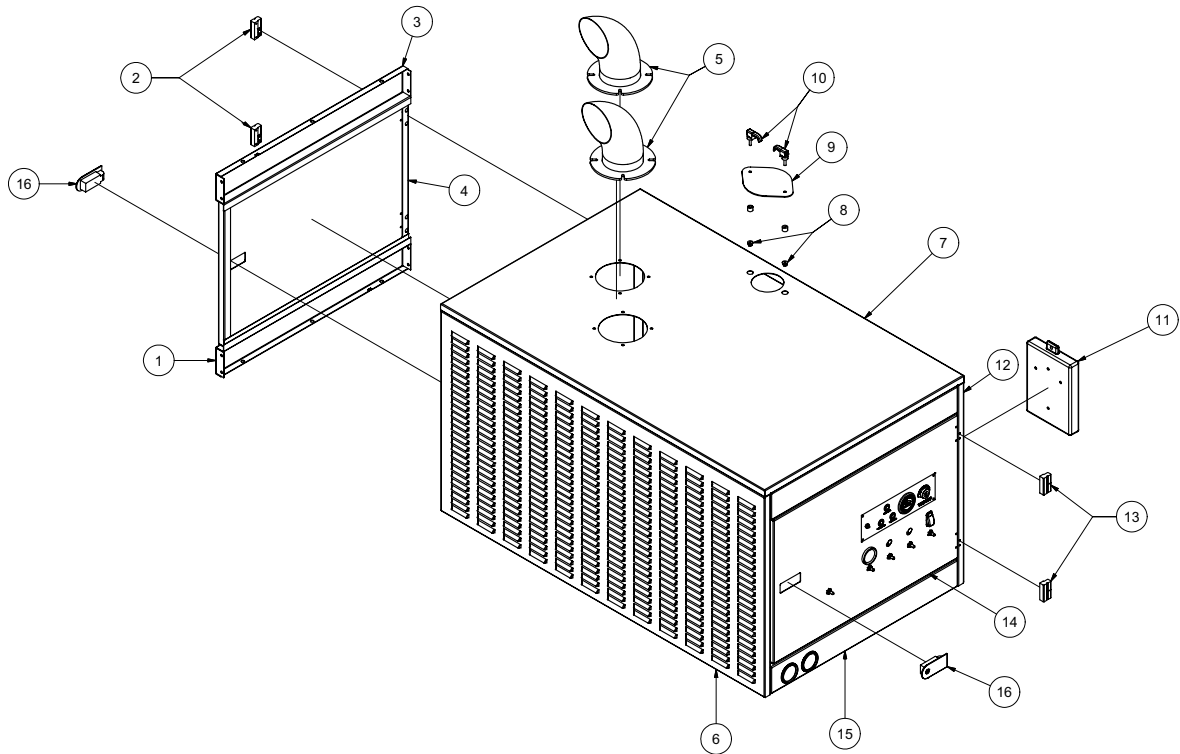
# V800

ITEM	QTY	NUMBER	DESCRIPTION
1	1	8040751	WATER PUMP TENSIONER ROD
2	1	8040892	WATER PUMP TENSIONER PLATE
3	1	8040893	WATER PUMP TENSIONER BLOCK
4	1	8031279	WATER PUMP
	4	U000420	SCREW, HC 3/8"-16 X 1"
	4	U210060	WASHER, LOCK 3/8"
	4	U200600	WASHER, FLAT 3/8"
5	1	8030961	WATER PUMP CLUTCH
	1	U410094	KEY 5/16" X 5/16" X 1 3/8"
6	1	8030340	SAFETY RELIEF VALVE 6GPM
7	2	T400805	UNION, 8MP 6MP
8	1	8030341	UNLOADER VALVE
9	1	8031267	FLOW SWITCH
10	1	T401102	ELBOW, 6MJ 6MP
11	1	8031125	UNION, 6FJ 4FP
12	1	8030923	HIGH PRESSURE WATER FILTER
13	2	8031126	UNION, 4FP 6MJ
14	1	T402153	TEE, 6MJ 6MJ 6FJ
15	1	8040971	HOSE ASSEMBLY, PRESSURE GAUGE
16	1	8030483	UNION, 4FP 4MJ
17	1	8030372	WATER PRESSURE GAUGE 1/4NPT
18	1	T400070	UNION, 8MP 12MJ
19	1	8040972	HOSE , INLET WATER 8.5" LONG
	2	8030525	FITTING, HOSE #12FJ PUSH LOCK
20	1	T401180	ELBOW, 12MP 12MJ
21	1	T421020	NIPPLE,PIPE 12MP 12MP
22	1	T400100	UNION, 12MP 12MJ
23	1	T402160	TEE 12FP 12FP 12FP
24	1	T404030	UNION, 12MP 8MP
25	1	T400040	UNION, 8MP 8MJ

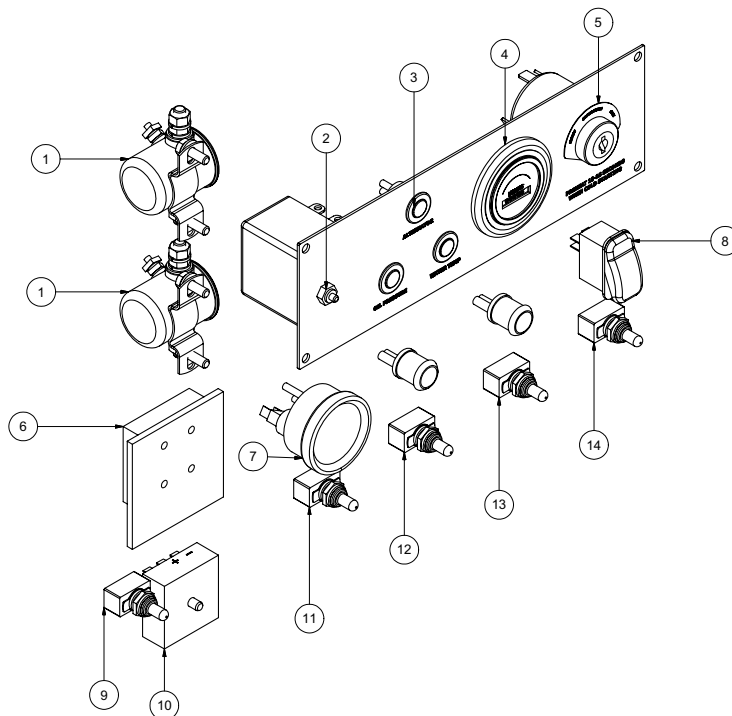
VACASSY302

# Enclosure Assembly

## V800



## VACASSY403



## VACASSY501

# Enclosure Assembly

## V800

ITEM	QTY	NUMBER	DESCRIPTION
1	1	8040995	SIDE PANEL WELDMENT
2	2	8040589	OFFSET HINGE TYPE A
	8	U030525	SCREW, PAN HD #10-32X1/2
3	2	8040829	SIDE PANEL
4	1	8040827	DOOR
5	2	8041195	EXHAUST WELDMENT
6	1	8040992	BACK SHEET
7	1	8040831	TOP SHEET
8	2	U120142	NUT, FLANGED LOCK 1/4-20
9	1	8040592	RADIATER ACCESS PLATE
10	2	8040334	LATCH, SWELL
11	1	E250211	MANUAL BOX
12	1	8040993	FRONT SHEET
13	2	8040588	OFFSET HINGE TYPE B
	8	U030525	SCREW, PAN HD #10-32X1/2
14	1	8040890	DOOR, CONTROL
15	1	8040994	SIDE PANEL W/ GAUGES
16	2	8040586	LATCH, LEVER LOCKABLE
*	72	U000060	SCREW, HC 1/4-20X1
*	126	U200020	WASHER, FLAT 1/4
*	72	U210020	WASHER, LOCK 1/4
*	54	U100020	NUT, HEX 1/4-20
*	1	8041171	HANDLE
	2	U001017	SCREW, HSH 1/4-20 X 1.25
	2	U200020	WASHER, FLAT 1/4
	2	U120100	NUT, HEX LOCK 1/4-20
*	4	8041504	DOOR SEAL VERTICAL
*	4	8041505	DOOR SEAL HORIZONTAL

\* NOT SHOWN

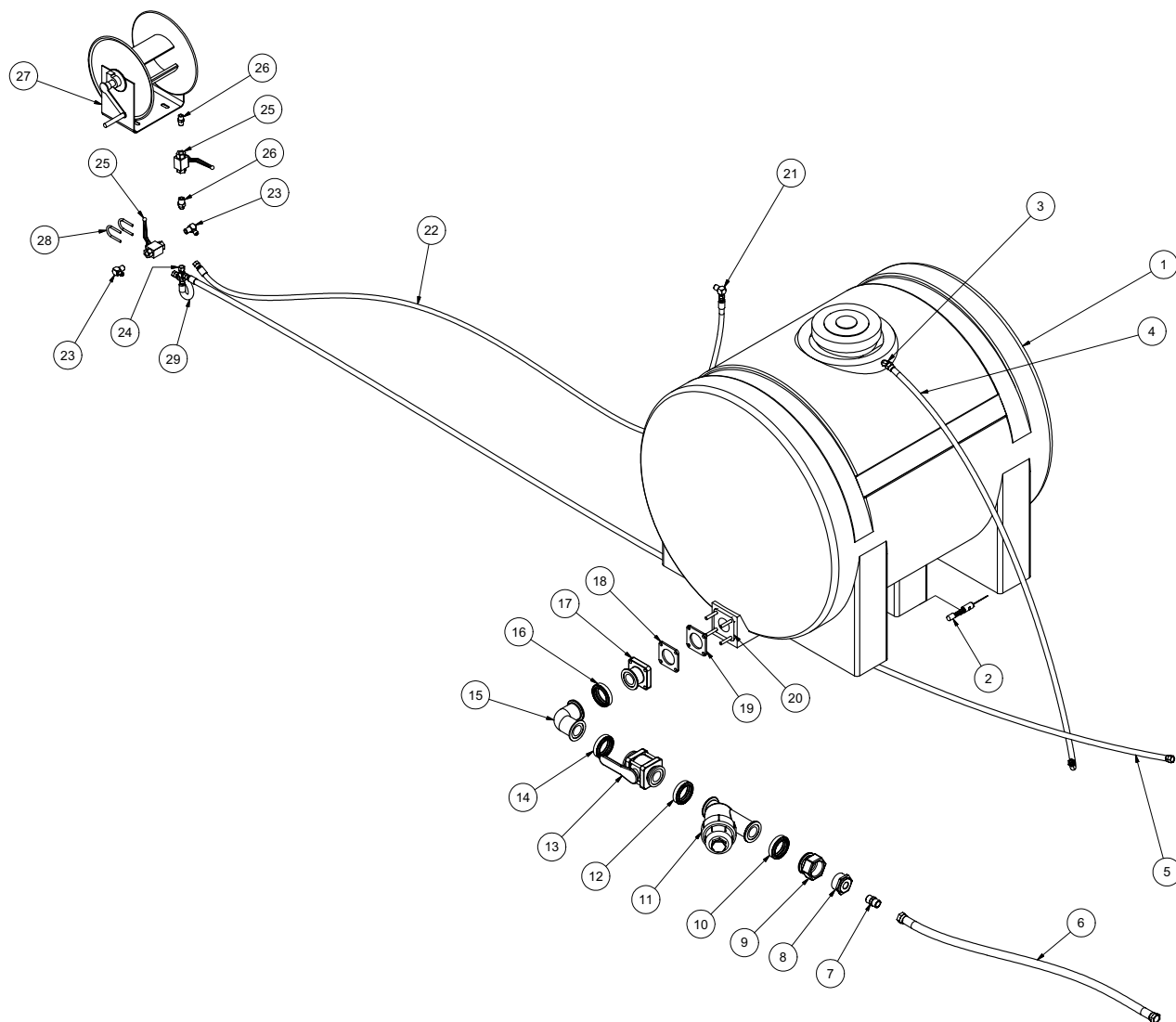
### VACASSY403

ITEM	QTY	NUMBER	DESCRIPTION
1	2	8030443	80-12V SOLENOID
2	1	8030455	MURPHY SWITCH
3	5	8030457	PANEL LIGHTS
4	1	8030456	HOUR METER
5	1	8030458	KEY SWITCH
	1	8030829	KEYS
6	1	8031257	FUSE PANEL 8 POS.
	1	8030468	10 AMP FUSE
	6	8030461	5 AMP FUSE
7	1	8030330	FUEL GAUGE
8	1	X000021	ROCKER SWITCH THROTTLE HIGH/LOW
9	1	8041077	SWITCH, TANK RAISE/LOWER
10	1	8031231	SWITCH, DELAY RELAY
11	1	X000095	SWITCH, WORK LIGHTS
12	1	X000095	SWITCH, FULL TANK OVERRIDE
13	1	X000095	SWITCH, WATER PUMP CLUTCH
14	1	X000092	SWITCH, AUTOMATIC THROTTLE
	1	8030826	INLINE 20 AMP FUSE

### VACASSY501

# Water Tank Assembly

# V800



VACASSY604

# Water Tank Assembly

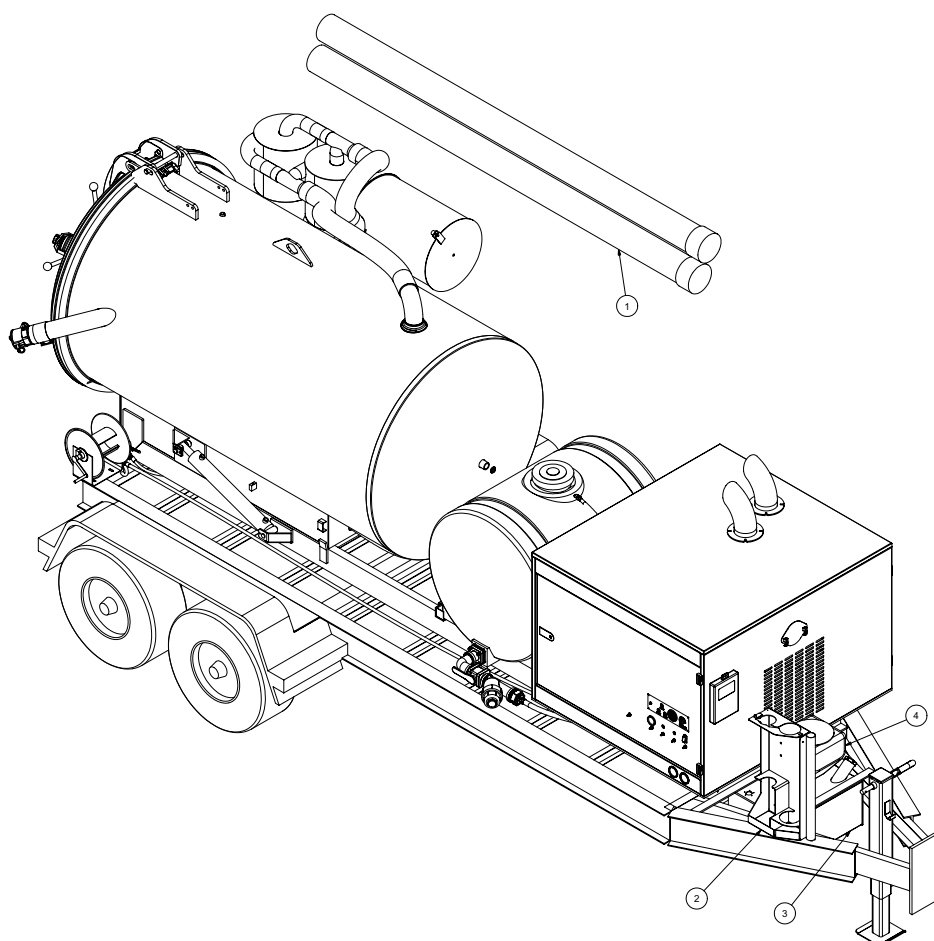
## V800

ITEM	QTY	NUMBER	DESCRIPTION
1	1	8030338	230 GALLON WATER TANK
	2	8040084	WATER TANK STRAP
	1	8030931	WATER TANK LID
2	1	8030343	LOW WATER LEVEL SWITCH
3	1	8030518	BULKHEAD 45 DEG, 8MJ
4	1	8041465	HOSE, BYPASS 230 WATER TANK
	2	8030524	PUSH LOCK HOSE FITTING 8FJ
5	1	8041466	HOSE, PRESSURE SUPPLY
6	1	8041467	HOSE, SUCTION
	2	8030524	PUSH LOCK HOSE FITTING 12FJ
7	1	T400100	UNION, 3/4MP - 12MJ
8	1	8031134	BUSHING, 2" X 3/4" NPT BANJO
9	1	8030996	ADAPTER, FEMALE 2" BANJO
10	1	8031000	CLAMP, WATER MANIFOLD
11	1	8031001	Y-STRAINER, 2" BANJO
12	1	8031000	CLAMP, WATER MANIFOLD
13	1	8030998	BALL VALVE, 1-1/2 ID BANJO
14	1	8031000	CLAMP, WATER MANIFOLD
15	1	8030995	ELBOW, 2" BANJO
16	1	8031000	CLAMP, WATER MANIFOLD
17	1	80309971	FLANGE, 2" BANJO
18	1	80309972	FLANGE GASKET, 2" BANJO
19	1	80309972	FLANGE GASKET, 2" BANJO
20	1	80309973	FLANGE BOLTED, 2" BANJO
	4	U100060	NUT, HEX 3/8-16
	4	U210060	WASHER, LOCK 3/8
21	1	T401102	ELBOW, 6MJ - 3/8MP
22	1	8041468	HOSE, TANK CLEANOUT
23	2	T401102	ELBOW, 6MJ - 3/8MP
24	1	T402153	TEE, 6MJ - 6MJ - 6FJ
25	2	8030351	BALL VALVE, STEEL 3/8FJ
26	2	T400028	UNION, 6MJ - 3/8MP
27	1	8030346	HOSE REEL
	4	U000420	SCREW, HC 3/8"-16 X 1.0
	8	U200060	WASHER, FLAT 3/8"
	4	U210060	WASHER, LOCK 3/8"
	4	U100060	NUT, HEX 3/8"-16
28	2	U010017	UBOLT, 1/4 - 20 X 1-1/2
29	1	8041469	HOSE, VALVE TO VALVE
	1	8030540	1/2" x 66" LG PUSH LOCK HOSE
	2	8030524	1/2" PUSH LOCK FITTING

VACASSY604

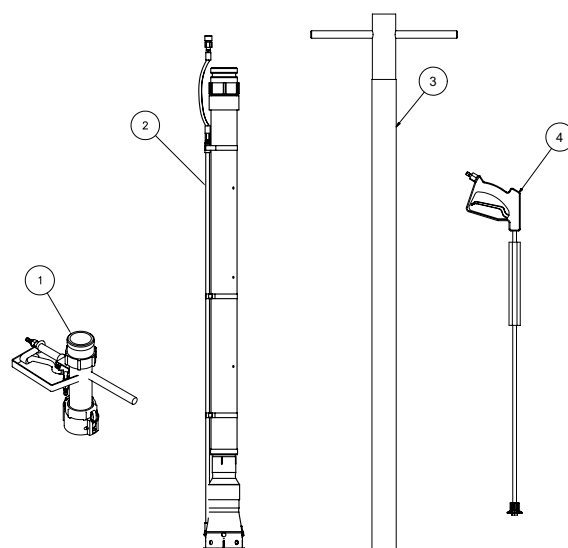
# Trailer Assembly

V800



VACASSY906

# Tools



VACASSY701

# Trailer Assembly

# V800

ITEM	QTY	NUMBER	DESCRIPTION
1	2	8041102	HOSE STORAGE 6" X 10'
	2	8030925	END CAP 6"
	2	R700160	R CLIP
	2	8041101	HOSE STORAGE RETAINING ROD
	2	8041485	LANYARD CABLE
	4	8040959	HOSE STORAGE CLAMP
	8	U200060	WASHER, FLAT 3/8
	8	U100060	NUT, HEX 3/8
2	1	8040985	TOOL RACK
	1	8040989	TOOL RACK CLOSURE
	1	R700175	R CLIP 7/8"
	1	8041259	STRAP, 10"
	1	8041485	LANYARD CABLE
3	1	8042380	FUEL TANK (22 GAL)
	1	80423801	FUEL CAP
	2	8041472	MAIN FUEL LINE (6FT)
	1	8043359	STRAP 1" X 48"
	1	8030697	FUEL SENDING UNIT
	1	8030656	FUEL FILTER
4	1	8030394	ANTI-FREEZE TANK (4 GAL)
	4	U000180	SCREW, HC 5/16"-18 X .75"
	4	U200040	WASHER, FLAT 5/16
	4	U210040	WASHER, LOCK 5/16
	1	T403100	UNION 12FP 20MP
	1	T401040	ELBOW 90 12MP 12MP
	1	T000185	BALL VALVE 3/4" FP
	1	T400080	UNION 8MJ - 12MP
	2	8030524	# 8 FJ PUSHLOCK
	1	8041470	HOSE, ANTIFREEZE
*	2	8041263	PLASTIC STRIP
*	1	8041680	SKID WELDMENT
*	6	8040038	U-BOLT SKID TO TRAILER
	6	8040240	U-BOLT MTG. BLOCK
	12	U200100	WASHER, FLAT 1/2"
	12	U100120	NUT, HEX 1/2"-13

\* ITEM NOT SHOWN

**VACASSY906**

# Tools

Item	Qty	Number	Description	Item	Qty	Number	Description
1	1	8030635	Tool Head	4	1	8030348	Spray Wand Complete
	2	8030486	Quick Disconnect SS		1	8030928	Trigger Assembly
	1	8031079	Banjo 3" Male		1	8030847	Wand
	1	8030392	Banjo 3" Female		1	8031308	Nozzle
	1	8030928	Trigger Assembly	*	2	8040250	Vacuum Hose Assembly 3" x 10'
2	1	8030179	Reduction Tool		1	8031079	Banjo 3" Male
	2	8030370	Reduction Tool Nozzle		1	8030392	Banjo 3" Female
	2	8031268	Reduction Tool Nozzle 45Deg		2	8030240	Hose Adapter 3"
	1	8031079	Banjo 3" Male		112"	8030420	Vacuum Hose 3" Kanaflex
3	1	8030215	Vacuum Tool 3"				

\* ITEM NOT SHOWN

**VACASSY701**

PAGE LEFT BLANK



# WARRANTY RETURN GOODS POLICY

## LIMITED WARRANTY

The Manufacturer warrants its products to be free from defects in material and workmanship for a period of twelve months from the date of shipment from the factory. The Manufacturer shall not be responsible for any damage resulting to or caused by its products by reason of installation, improper storage, unauthorized service, alteration of the products, neglect or abuse, or use of the product in a manner inconsistent with its design. The warranty does not extend to any component parts not manufactured by Manufacturer; however, Manufacturer's warranty herein shall not limit any warranties made by manufacturers of component parts which extend to Buyer.

Claims for defects in material and workmanship shall be made in writing to Manufacturer within ten days of discovery of defect. Manufacturer may either send a service representative or have the product returned to its factory at Buyer's expense for inspection. Upon notification of defect, Manufacturer will issue a return goods authorization number to Buyer. The return goods authorization number must accompany the product returned. If judged by the Manufacturer to be defective in material or workmanship, the product will be replaced or repaired at the option of the Manufacturer, free from all charges except authorized transportation. Buyer shall be responsible for all maintenance services consisting of lubrication and cleaning of equipment, replacing expandable parts, making minor adjustments, and performing operating checks, all in accordance with procedures outlined in Manufacturer's maintenance literature.

THE FOREGOING WARRANTY IS IN LIEU OF ALL OTHER WARRANTIES AND NO REPRESENTATIONS, GUARANTEES, OR WARRANTIES, EXPRESS OR IMPLIED, (INCLUDING BUT NOT LIMITED TO A WARRANTY OF MERCHANTABILITY OR FITNESS FOR A PARTICULAR PURPOSE), ARE MADE BY THE MANUFACTURER IN CONNECTION WITH THE MANUFACTURE OR SALE OF ITS PRODUCTS. NO EMPLOYEE, DISTRIBUTOR, OR REPRESENTATIVE IS AUTHORIZED TO CHANGE THIS WARRANTY ON BEHALF OF MANUFACTURER. THE REMEDIES OF BUYER SET FORTH HEREIN ARE EXCLUSIVE AND ARE IN LIEU OF ALL OTHER REMEDIES. THE LIABILITY OF MANUFACTURER WHETHER IN CONTRACT, TORT, UNDER ANY WARRANTY, OR OTHERWISE SHALL NOT EXTEND BEYOND ITS OBLIGATION TO REPAIR OR REPLACE, AT ITS OPTION ANY PRODUCT OR PART FOUND BY MANUFACTURER TO BE DEFECTIVE IN MATERIAL OR WORKMANSHIP. MANUFACTURER SHALL NOT BE LIABLE FOR COST OF INSTALLATION AND/OR REMOVAL OR BE RESPONSIBLE FOR DIRECT, INDIRECT, SPECIAL OR CONSEQUENTIAL DAMAGES OF ANY NATURE.

## GENERAL RETURNS OF MERCHANDISE

1. All returns must be pre-authorized
  - A. Please call our parts department for an RGA number
  - B. Please include RGA number on the outside of box
  - C. Include any required paper work or special instructions
  - D. Items returned without an RGA number will not be accepted
2. All returns are subject to a 20% restock charge.
3. Special items are non-returnable
  - A. Non-stock parts
  - B. Custom parts
  - C. If you are unsure about a parts status when ordering, ask your McLaughlin representative if the item fits on of the above conditions.
4. Items must be returned within thirty days of original order date.
5. Items not returned within 30 days from the date of RGA is issued will not be accepted.
6. The item(s) must be in new condition. Used item(s) are not returnable.



