



**McLAUGHLIN®**

2006 Perimeter Road. Greenville, SC 29605  
Toll Free: 800/435-9340 - Phone: 864/277-5870  
Fax: 864/235-9661 - Website address: [www.mightymole.com](http://www.mightymole.com)  
Email address: [mmole@mightymole.com](mailto:mmole@mightymole.com)

**Parts Manual  
Vermeer/ McLaughlin V800HD  
Vacuum Machine**

**(S/N 8DHD060408218 - PRESENT)**

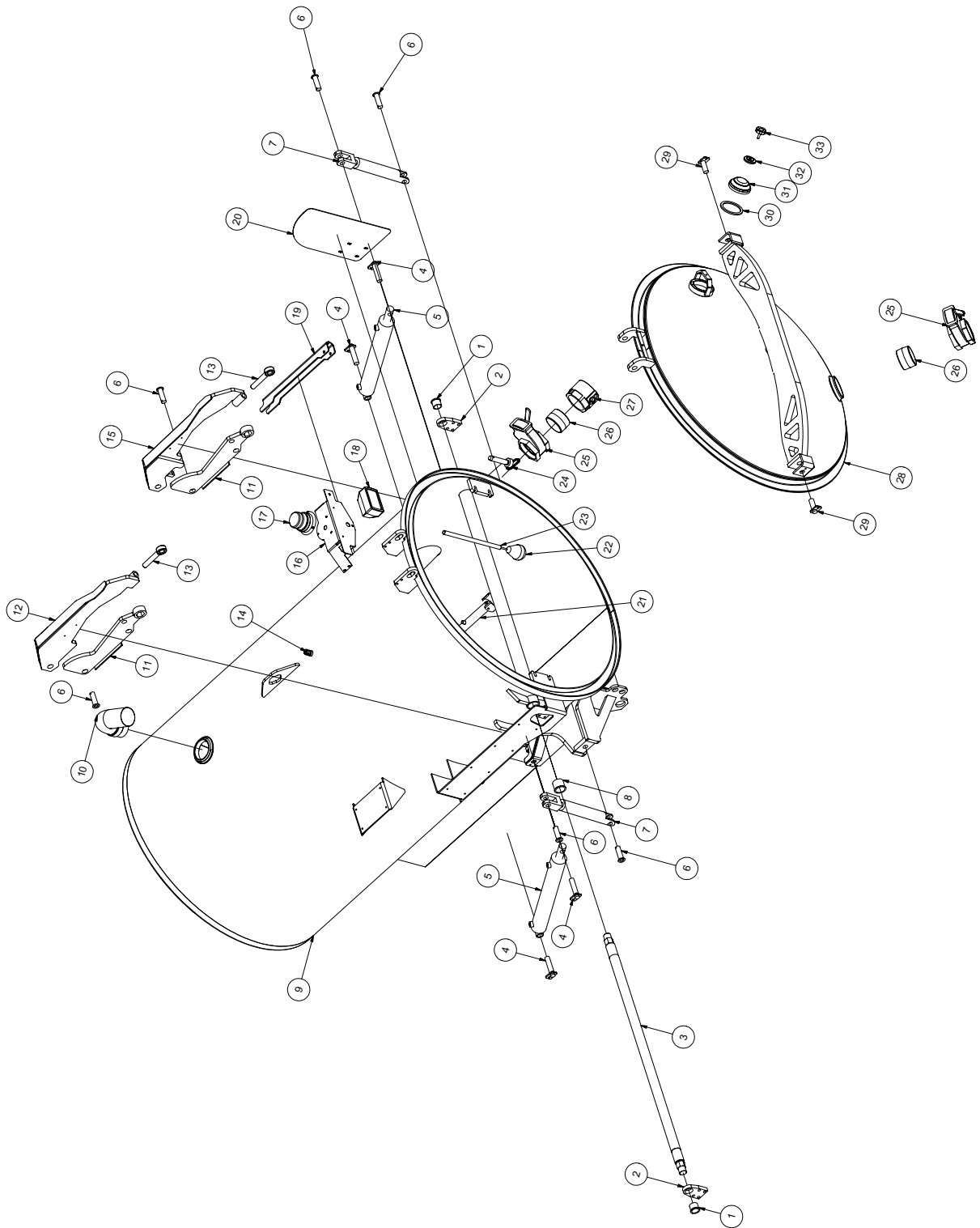
© 2008 by McLaughlin Group, Inc.

012808

All rights reserved. No part of this manual may be reproduced in any form, or by any means without prior written permission of McLaughlin Group, Inc.

# Tank and Door Assembly

# V800HD



VACASSY014

# Tank and Door Assembly

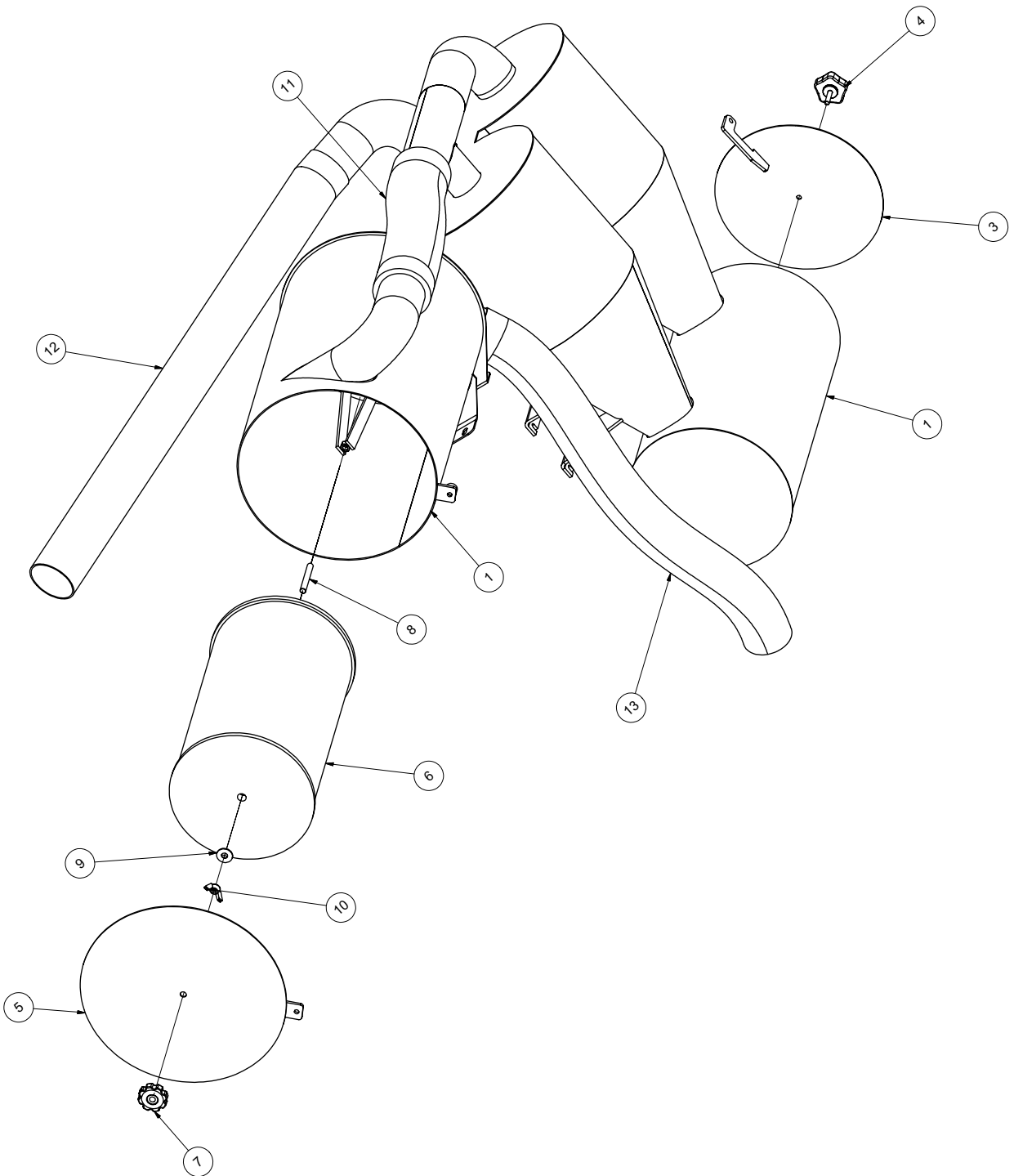
# V800HD

ITEM	QTY	NUMBER	DESCRIPTION	ITEM	QTY	NUMBER	DESCRIPTION
1	2	8041610	BUSHING BRONZE FLANGED 1 1/2"	21	1	8041721	TANK ROD -800 HLD
2	2	8041621	OUTER BEARING PLATE	1	1	8030446	O-RING #328 BUNA
3	1	8041663	LINKAGE CROSS TUBE	4	4	U000880	SCREW, HC 1/2-13 X 2.00
4	4	8030128	CYLINDER PIN WELDMENT	4	4	U100120	NUT, HEX 1/2-13
5	2	8030359	SPOIL TANK CYLINDER	8	8	U200100	WASHER, FLAT 1/2"
	1	8041456	HOSE ASSY VAC 6-70 ST-90	3	3	U010055	SCREW, HSH 5/16-18 X 1.50
	1	8041457	HOSE ASSY VAC 6-90 ST-90	3	3	8030369	TANK CLEANOUT NOZZLES
	1	8041458	HOSE ASSY VAC 6-86 ST-ST	22	1	8030531	HIGH LEVEL FLOAT SWITCH
	1	8041459	HOSE ASSY VAC 6-105 ST-ST	23	1	8041471	FLOAT SWITCH TUBE V800
	4	T401270	ELBOW, 90 8MB-6MJ	1	1	8041291	BUSHING, RUBBER
6	6	8042489	HYD DOOR - PIN WELDMENT 1"DIA X 3"	24	1	8041626	1" x 4 1/2" HITCH PIN
7	2	8041327	HYD CYLINDER - 8" STROKE	25	2	8030916	4" GATE VALVE
8	2	8041602	BUSHING BRONZE FLANGED 2"	26	2	8030431	4" CLOSE NIPPLE
9	1	8041643	800 TANK - WELDMENT (54")	27	1	8030846	4" FEMALE COUPLER
	1	8030038	TANK PIVOT ROD	28	1	8041580	800 HYD LOCK DOOR
	2	8030363	2" SPIRAL SNAP RING	1	1	8040058	DOOR HINGE ROD
10	1	8040786	EXHAUST ELBOW 4"	2	2	U210200	DOOR HINGE WASHER
11	2	8041604	SHORT LINKAGE WELDMENT	2	2	U500020	1" SNAP RING
12	1	8041375	DOOR HYD LONG LINKAGE	1	1	8041767	DOOR SEAL
13	2	8043131	ROD END WITH BRONZE BUSHING	29	2	8042171	DOOR CAPTURE PIN
14	1	X000113	STRAIN RELIEF, 1/2"	30	1	8032007	GASKET, 4" COUPLER
15	1	8041369	DOOR HYD LONG LINKAGE	31	1	8031048	SIGHT GLASS
16	1	8043318	STROBE LIGHT BRACKET	32	1	8031047	SIGHT GLASS PLATE
	4	U000880	SCREW, HC 1/2-13 X 2.00	33	1	8031046	SIGHT GLASS HAND WHEEL
	4	U200100	WASHER, FLAT 1/2"	*	1	8041461	CABLE VAC SO4-216
	4	U210111	WASHER, LOCK 1/2"	*	1	8041354	LIGHT BRACKET
	4	U100120	NUT, HEX 1/2-13	*	1	8041839	DOOR SEAL GLUE
*	1	X200003	TANK HARNESS				
17	1	8043139	STROBE LIGHT				
	3	U010006	SCREW, PHILLIPS #10-24 X 1"				
	3	U210005	WASHER, LOCK #10				
	3	U100010	NUT, HEX #10-24				
18	1	8043111	WORK LIGHT				
19	1	8041212	TANK SAFETY BRACE				
	1	8041213	CLIP, SAFETY				
20	1	8041635	HYD ARM GUARD				

VACASSY014

# Filtration

1025



060508

VACASSY353

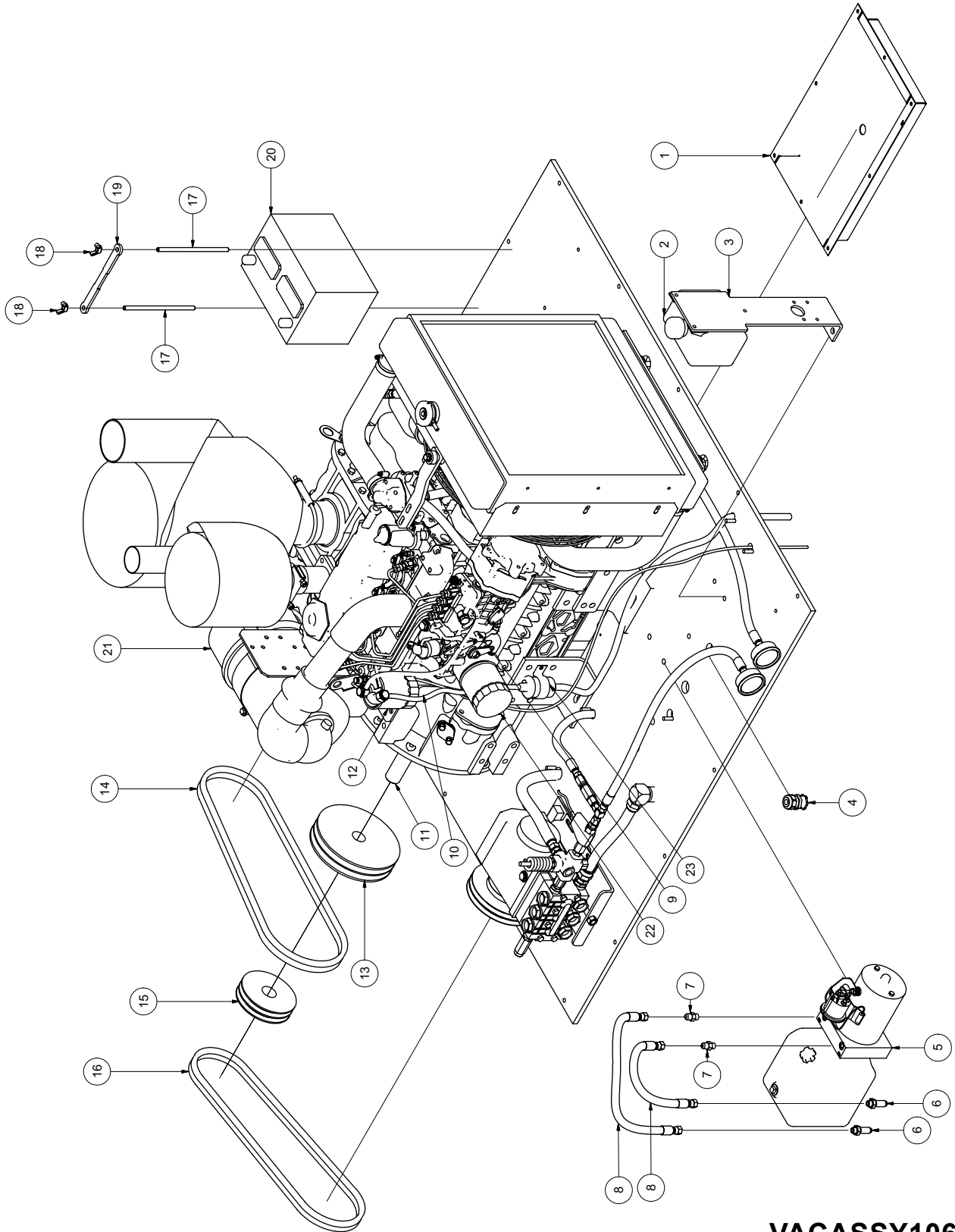
# Filtration

# 1025

ITEM	QTY	PART NO.	DESCRIPTION
1	1	8040911	CYCLONE FILTER HOUSING 1025
	4	U000420	SCREW,HC 3/8-16 X 1.00
	4	U200600	WASHER,FLAT 3/8"
2	1	8042263	AIR FILTER HOUSING 1025
	4	U000420	SCREW,HC 3/8-16 X 1.00
	4	U200600	WASHER,FLAT 3/8"
3	1	8041272	575/1025 CYCLONE DOOR
	1	8041444	CYCLONE SEPARATOR DOOR SEAL
4	1	8041197	KNOB, CYCLONE
	1	8041231	WASHER,BONDED SEALING 3/8"
	1	U210061	NUT,HEX NY 3/8"-16
5	1	8041541	AIR FILTER HOUSING DOOR
	1	8041450	AIR FILTER HOUSING DOOR SEAL
6	1	8031293	WASHABLE AIR FILTER ELEMENT
7	1	8041218	KNOB, AIR FILTER
8	1	8040302	THREADED ROD - 6" LG
9	1	U200100	WASHER, FLAT 1/2"
10	1	U130080	NUT, WING 1/2 - 13
11	1	8042931	HOSE VAC AG SUCTION 4-26
12	1	8041781	HOSE VAC AG SUCTION 4-48
13	1	8041741	HOSE VAC AG SUCTION 4-72

# Power Pack Assembly

# V800HD



VACASSY106

# Power Pack Assembly

# V800HD

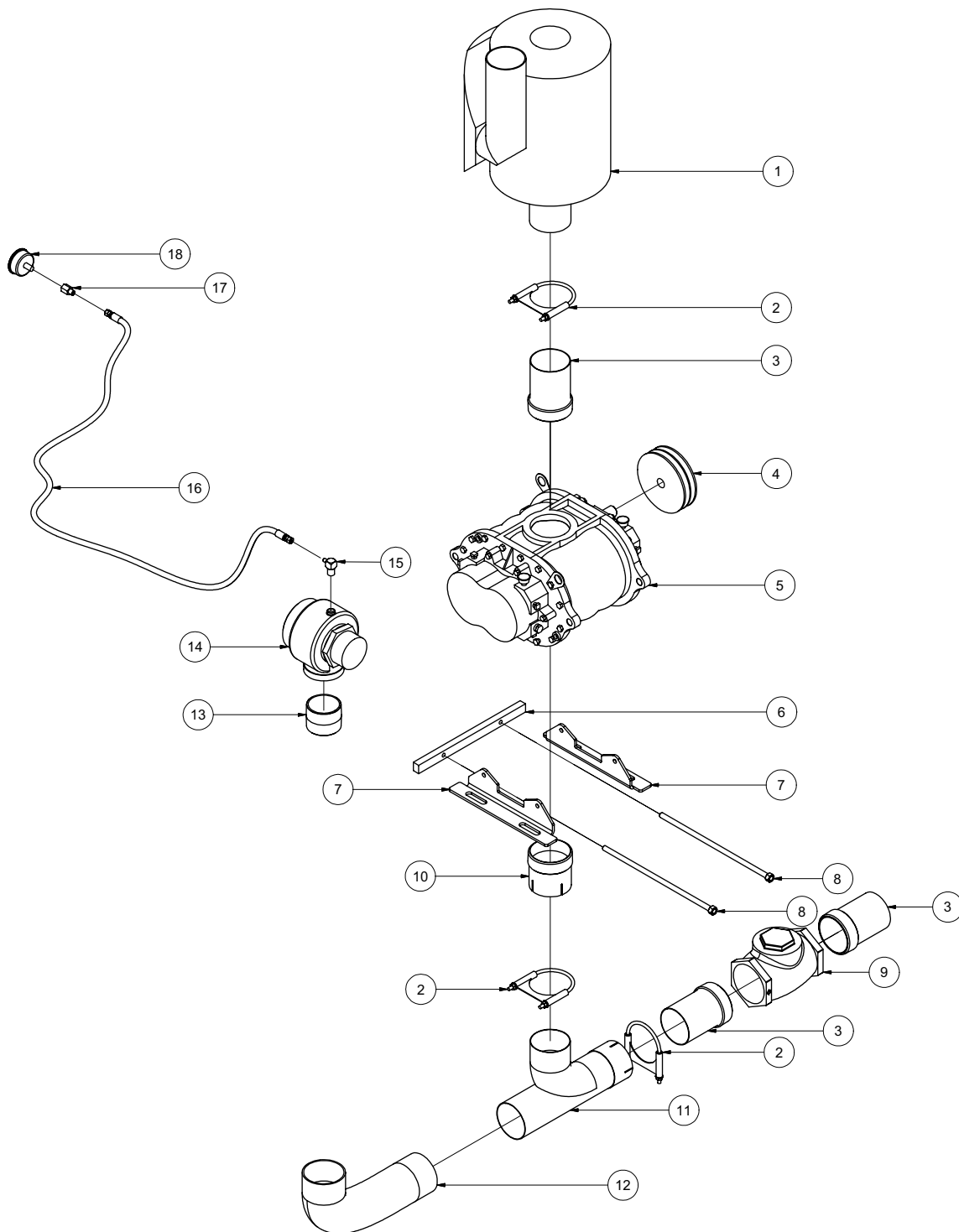
ITEM	QTY	NUMBER	DESCRIPTION
1	1	8040694	DRIP PAN 73HP
	8	U000040	SCREW, HC 1/4 - 20 X .750
	8	U210020	WASHER, LOCK 1/4"
	8	U200020	WASHER, FLAT 1/4"
2	1	8040645	TANK, OVERFLOW COOLANT
	3	U000040	SCREW, HC 1/4"-20 X 3/4"
	6	U200020	WASHER,FLAT 1/4"
	3	U210020	WASHER, LOCK 1/4"
	3	U100020	NUT, HEX 1/4"-20
3	1	8040577	WATER REGULATOR/OVERFLOW BRACKET
	2	U000817	SCREW, HC 1/2"-13 X 1"
	2	U210100	WASHER, LOCK 1/2"
	2	U200100	WASHER, FLAT 1/2"
4	1	X000112	CONNECTOR, PANEL 3/4 MNPT-3/4FNPT
	1	X000109	STRAIN RELIEF, 3/4"
	1	X000108	3/4" COUPLING NUT
5	1	8041601	HYDRAULIC POWER PACK, 12V
	2	U000420	SCREW, HC 3/8"-16 X 1"
	2	U210060	WASHER, LOCK 3/8"
	2	U200600	WASHER, FLAT 3/8"
6	2	T400391	BULKHEAD 6MP 6MP
7	2	T400037	UNION 6MB-6MJ
8	2	8040973	HOSE ASSY VAC 6-20 ST-90
9	1	8041473	HOSE FUEL 5/16-18
	2	8041472	HOSE FUEL 5/16-72
	6	U800015	CLAMP, HOSE 04 - 5/8"
10	1	8041474	HOSE FUEL 5/16-14
	2	U800015	CLAMP, HOSE 04 - 5/8"
11	1	8030908	KUBOTA V3300
	1	8030908-1	MUFFLER
	4	U000820	SCREW, HC 1/2"-13 X 1 1/4"
	4	U210100	WASHER, LOCK 1/2"
	4	U200100	WASHER, FLAT 1/2"
12	1	8041053	KUBOTA FUEL FILTER
13	1	8040482	SHEAVE 8.35 DIA 2 GROOVE
	1	8040483	BUSHING 1 7/16" SK
	1	U410125	KEY 3/8" X 3/8" X 2"
14	2	8041027	BELT BX54
15	1	8040480	SHEAVE 4.15 DIA 2 GROOVE
	1	8040481	BUSHING 1 7/16" SH
	1	U410125	KEY 3/8" X 3/8" X 2"
16	2	8041082	BELT AX48
17	2	8040684	ROD, BATTERY HOLD DOWN
18	2	U130040	NUT, WING 3/8"-16
19	1	8050016	BATTERY HOLD DOWN
20	1	X400020	MT-34R 12V BATTERY
	1	X300110	CABLE BATTERY VAC #711431 14"
	1	X300001	CABLE BATTERY VAC #714134 41 1/2"
21	1	8041054	KUBOTA AIR FILTER ELEMENT(PRIMARY)
	1	8041055	KUBOTA AIR FILTER ELEMENT(SECONDARY)
22	1	8032002	KUBOTA OIL FILTER
23	1	8041056	PUMP, ELECTRIC FUEL
*	4	8030904	ISOLATOR
	4	U001320	SCREW, HC 5/8-11 X 4
	4	8030851	WASHER, SNUBBING
	4	U210140	EASHER,LOCK 5/8
	4	U100180	NUT, HEX 5/8-11
	8	U000420	SCREW,HC 3/8-16 X 1
	16	U200060	WASHER,FLAT 3/8
	8	U210060	WASHER,LOCK 3/8
	8	U100060	NUT,HEX 3/8-16
*	1	8043127	ELECTRICAL CONTROL BRACKET
*	1	X200005	ENGINE HARNESS
*	1	X200002	HYDRAULIC PUMP HARNESS

\* NOT SHOWN

**VACASSY106**

# Blower Assembly

# V800HD



VACASSY207



# Blower Assembly

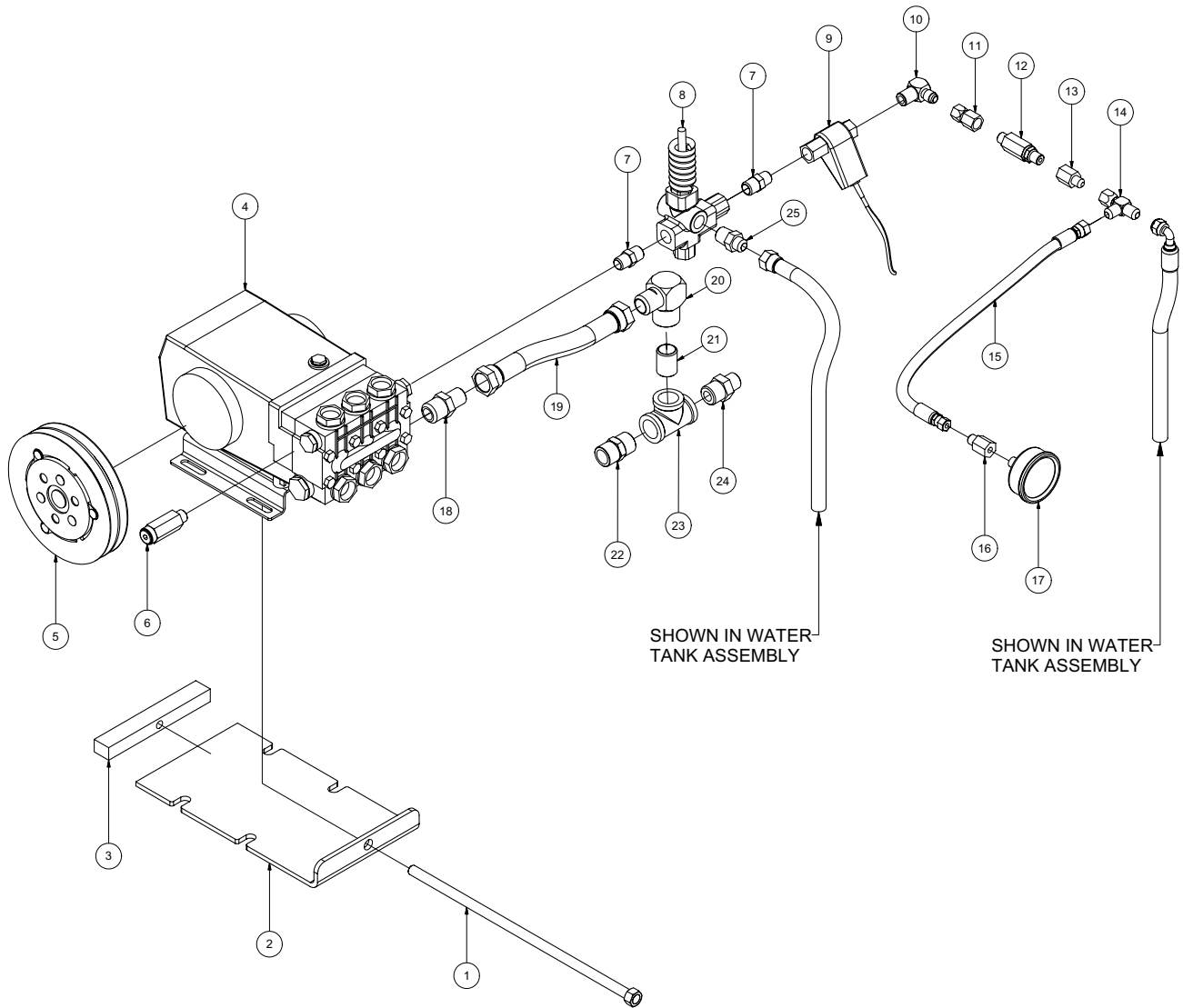
# V800HD

ITEM	QTY	NUMBER	DESCRIPTION
1	1	8030917	SILENCER,1025 CFM, COWL
2	3	8031193	4" EXHAUST CLAMP
3	2	8030560	EXHAUST ADAPTER 4" MNPT - 4"OD
4	1	8040484	SHEAVE 6.95 OD SDS 2-GROOVE
	1	8040485	BUSHING 1 1/8" SDS
	1	U410090	KEY 1/4" X 1/4" X 2 3/4"
5	1	8040001	BLOWER (MODEL 59)
	4	U000817	SCREW, HC 1/2" - 13 X 1"
	4	U210100	WASHER, LOCK 1/2"
	4	U200100	WASHER, FLAT 1/2"
6	1	8040904	TENSION BLOCK 1025CFM
7	2	8040710	BLOWER FOOT (MODEL 59)
8	2	8041507	ROD TIGHTENER WELD" T
9	1	8041043	CHECK VALVE 4" FNPT
10	1	8040991	EXHAUST ADAPTER 4" MNPT - 4ID
11	1	8040930	WYE 4" IDOD
12	1	8041026	4" INLET HEADER HOSE
13	1	8030403	3" CLOSE NIPPLE
14	1	8030866	KUNKLE VALVE, 1025 CFM
15	1	T400590	ELBOW 6MP 4MJ
16	1	8041024	HOSE ASSY VAC4-80 ST-ST
17	1	8030483	UNION 4FP 4MJ
18	1	8030371	VACUUM GAUGE

VACASSY207

# Water Pump Assembly

# V800HD



**VACASSY302**

# Water Pump Assembly

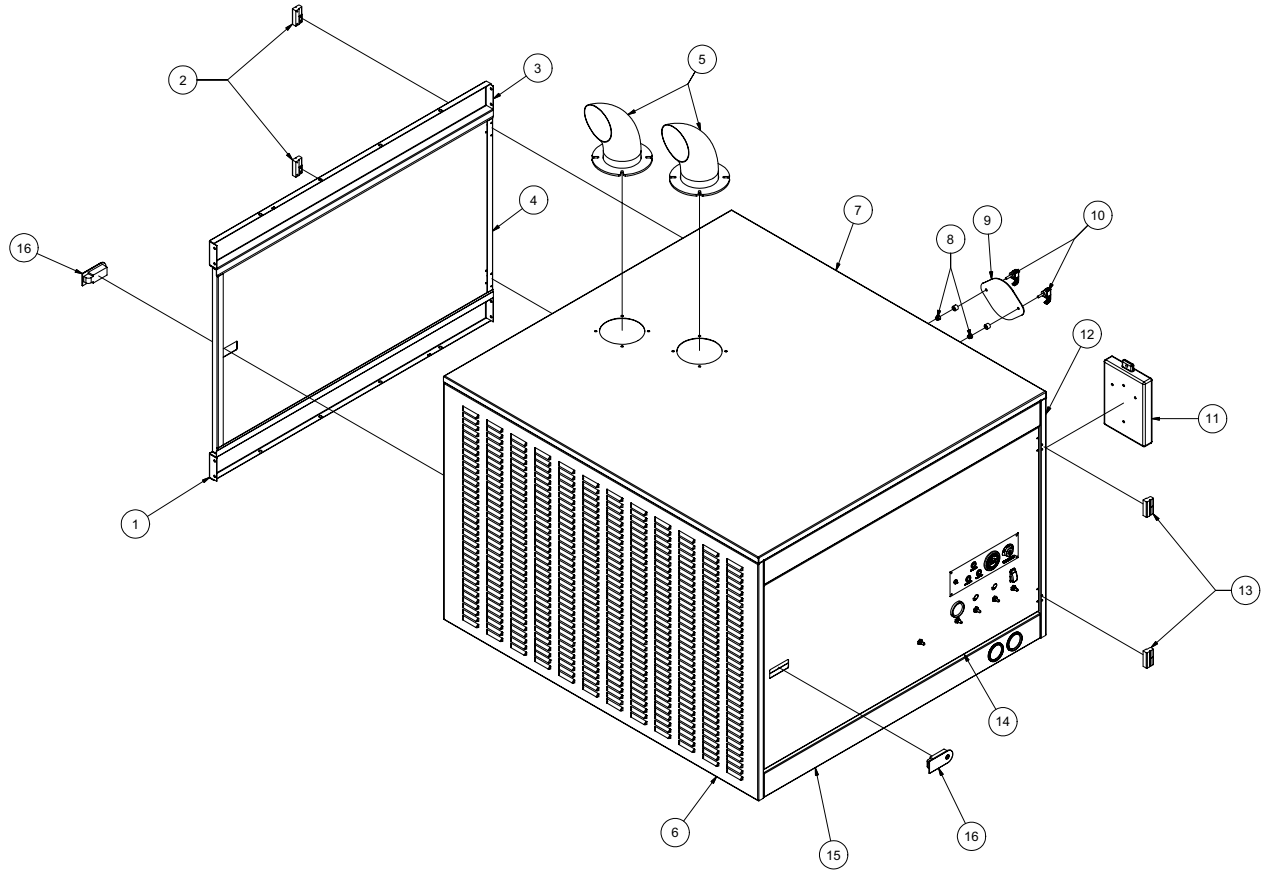
## V800HD

ITEM	QTY	NUMBER	DESCRIPTION
1	1	8040751	WATER PUMP TENSIONER ROD
2		N/A	N/A
3	1	8040893	WATER PUMP TENSIONER BLOCK
4	1	8031279	WATER PUMP
	4	U000420	SCREW, HC 3/8"-16 X 1"
	4	U210060	WASHER, LOCK 3/8"
	4	U200600	WASHER, FLAT 3/8"
5	1	8030961	WATER PUMP CLUTCH
	1	U410094	KEY 5/16" X 5/16" X 1 3/8"
6	1	8030340	SAFETY RELIEF VALVE 6GPM
7	2	T400805	UNION, 8MP 6MP
8	1	8030341	UNLOADER VALVE
9	1	8031267	FLOW SWITCH
10	1	T401102	ELBOW, 6MJ 6MP
11	1	8031125	UNION, 6FJ 4FP
12	1	8030923	HIGH PRESSURE WATER FILTER
13	2	8031126	UNION, 4FP 6MJ
14	1	T402153	TEE, 6MJ 6MJ 6FJ
15	1	8040971	HOSE ASSY VAC 4-19 ST-ST 6FJ
16	1	8030483	UNION, 4FP 4MJ
17	1	8030372	WATER PRESSURE GAUGE 1/4NPT
18	1	T400070	UNION, 8MP 12MJ
19	1	8040972	HOSE VAC PUSH 12-8 1/2
	2	8030525	FITTING, HOSE #12FJ PUSH LOCK
20	1	T401180	ELBOW, 12MP 12MJ
21	1	T421020	NIPPLE,PIPE 12MP 12MP
22	1	T400100	UNION, 12MP 12MJ
23	1	T402160	TEE 12FP 12FP 12FP
24	1	T400080	REDUCER, 12MP 8MJ
25	1	T400040	UNION, 8MP 8MJ

VACASSY302

# Enclosure Assembly

# V800HD



VACASSY406

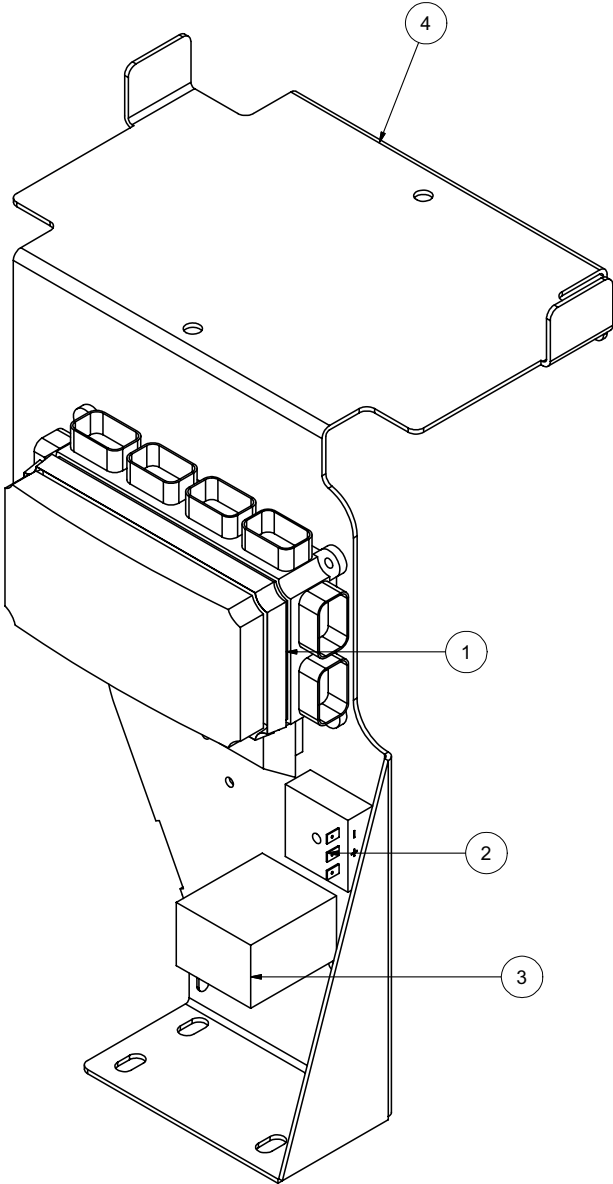
# Enclosure Assembly

# V800HD

ITEM	QTY	NUMBER	DESCRIPTION
1	1	8041014	SIDE PANEL
2	2	8040589	OFFSET HINGE TYPE A
	8	U030525	SCREW, PAN HD #10-32X1/2
3	2	8040692	UPPER SIDE PANEL
4	1	8040700	DOOR
5	2	8041195	EXHAUST WELDMENT
6	1	8041011	BACK SHEET
7	1	8040852	TOP SHEET
8	2	U120142	NUT, FLANGED LOCK 1/4-20
9	1	8040592	RADIATER ACCESS PLATE
10	2	8040334	LATCH, SWELL
11	1	E250211	MANUAL BOX
12	1	8041012	FRONT SHEET
13	2	8040588	OFFSET HINGE TYPE B
	8	U030525	SCREW, PAN HD #10-32X1/2
14	1	8040745	DOOR, CONTROL
15	1	8041013	SIDE PANEL W/ GAUGES
16	2	8040586	LATCH, LEVER LOCKABLE
*	72	U000060	SCREW, HC 1/4-20X1
*	126	U200020	WASHER, FLAT 1/4
*	72	U210020	WASHER, LOCK 1/4
*	54	U100020	NUT, HEX 1/4-20
*	1	8041171	HANDLE
	2	U001017	SCREW, HSH 1/4-20 X 1.25
	2	U200020	WASHER, FLAT 1/4
	2	U120100	NUT, HEX LOCK 1/4-20
*	4	8041483	DOOR SEAL VERTICAL
*	4	8041484	DOOR SEAL HORIZONTAL
		*	NOT SHOWN

VACASSY406

# Electrical Control Bracket

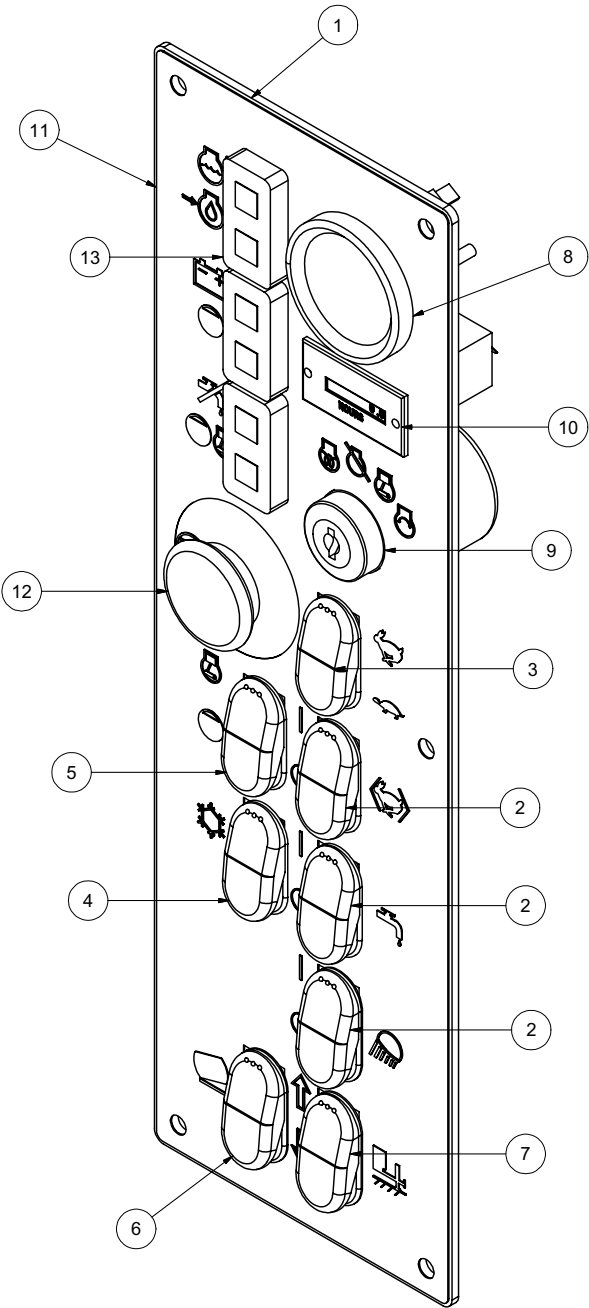
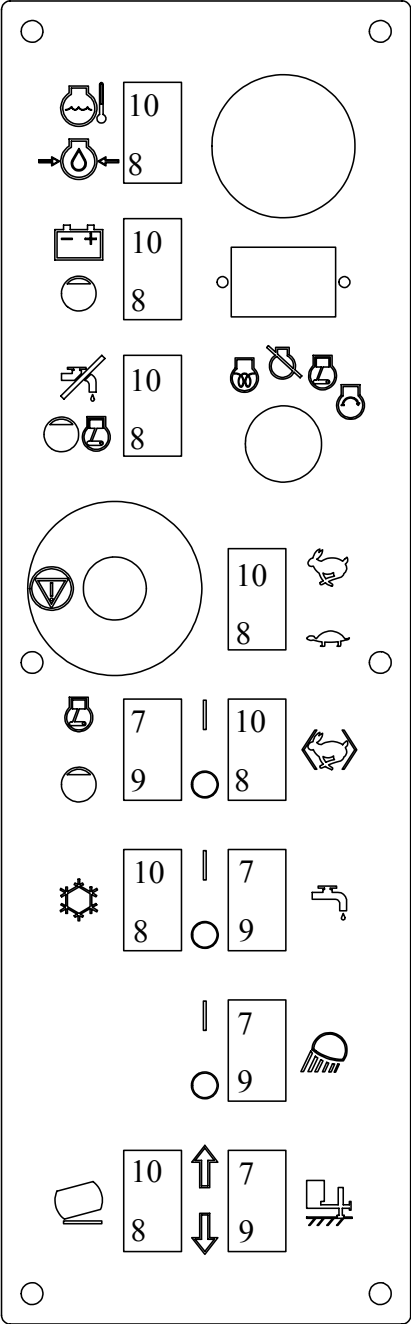


# Electrical Control Bracket

ITEM	QTY	PART NO.	DESCRIPTION
1	1	X000213	BUSSMAN VEC
2	1	8031231	SWITCH, DELAY RELAY
3	1	X000240	RELAY TIME 15 SECOND
4	1	8043129	CONTROL PANEL - HARNESS MTG PLATE
*	1	X200005	HARNESS VAC CONTROL
*	1	X400050	BATTERY, 31-MHD WORKAHOLIC
*	2	8043742	BATTERY HOLD DOWN ROD ASSY
*	1	X300218	BATTERY GROUND CABLE
*	4	X300181	BATTERY HOT CABLE

\* NOT SHOWN

# Control Panel



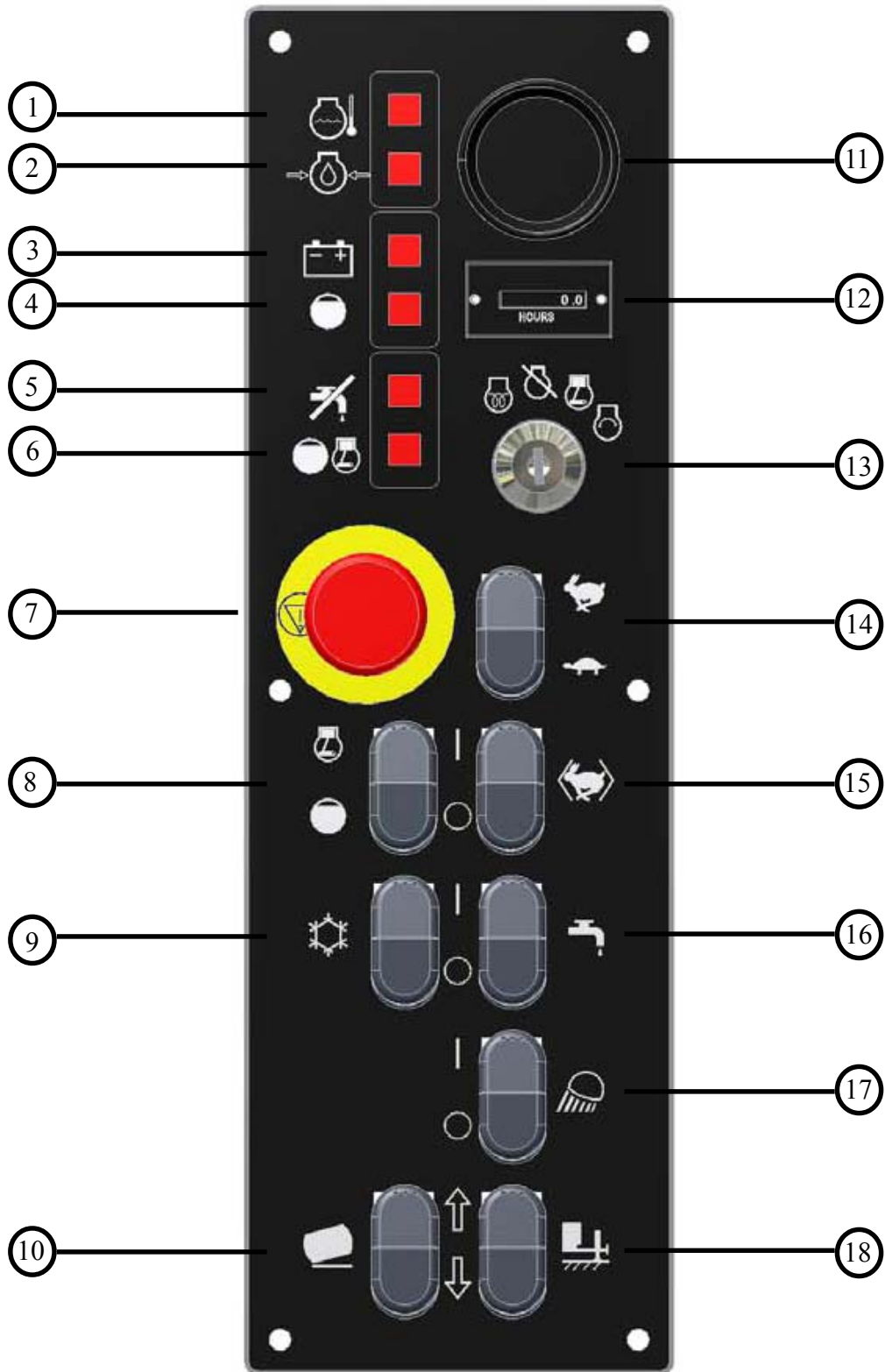
TERMINAL POSITIONS



# Control Panel

ITEM	QTY	PART NO.	DESCRIPTION
1	1	8043128	CONTROL PANEL - MAIN PLATE
2	3	X000270	ROCKER SWITCH SPST ON-OFF
3	1	X000271	ROCKER SWITCH DPST ON-ON
4	1	X000272	ROCKER SWITCH DPST (ON) NONE-ON
5	1	X000273	ROCKER SWITCH SPST (ON) NONE-OFF
6	1	X000274	ROCKER SWITCH DPDT (ON) OFF (ON)
7	1	X000290	ROCKER SWITCH PLUG
8	1	X100001	FUEL GAUGE
9	1	8030458	IGNITION SWITCH
10	1	X000300	HOUR METER
11	1	J200031	DECAL - CONTROL PANEL
12	1	X000280	E-STOP
13	3	X000260	LIGHT LED DUAL PANEL

# Control Panel

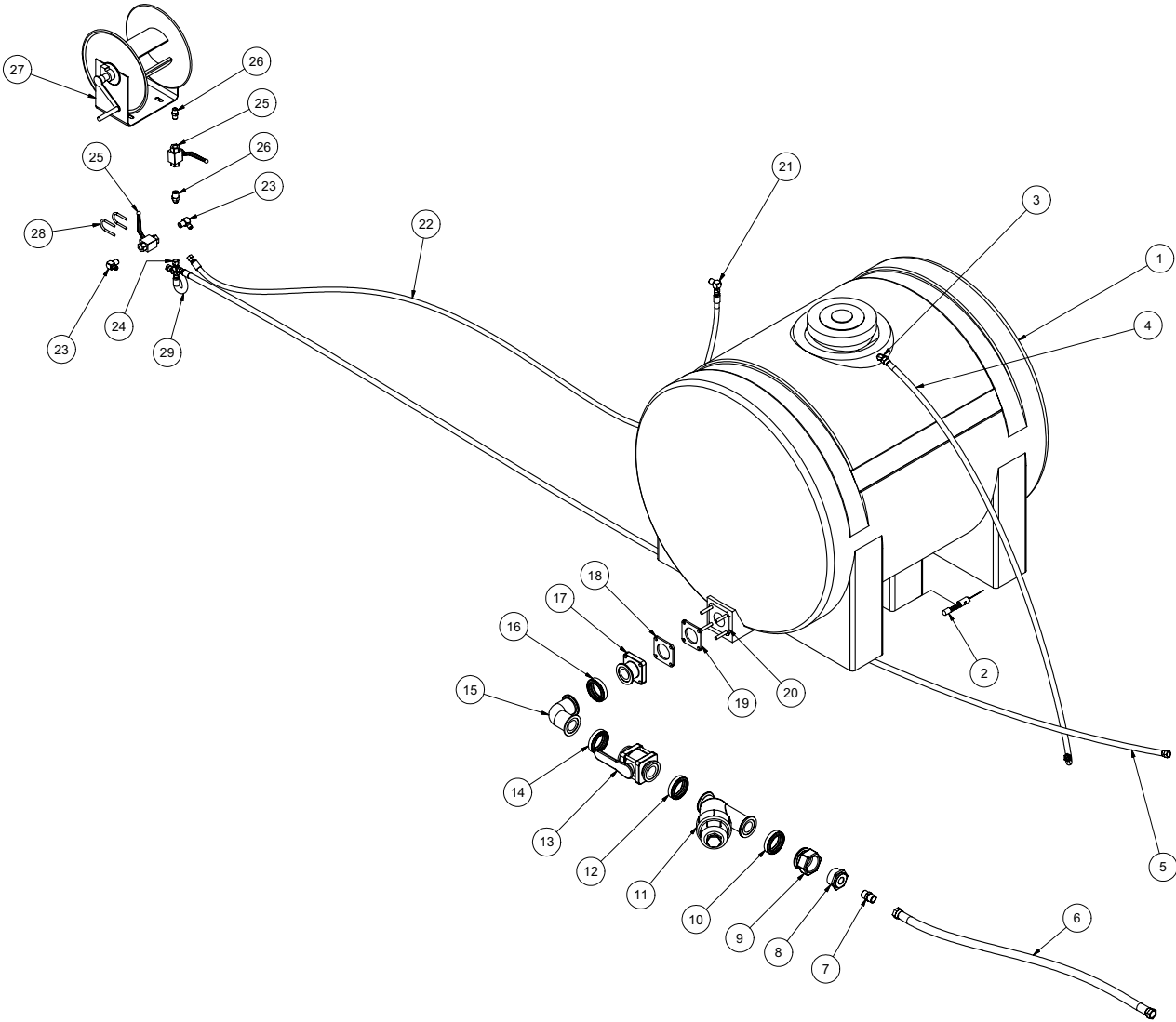


# Control Panel

<b>ITEM</b>	<b>DESCRIPTION</b>
1	ENGINE COOLANT TEMPERATURE LIGHT
2	ENGINE OIL PRESSURE LIGHT
3	BATTERY LIGHT
4	TANK FULL LIGHT
5	LOW WATER LIGHT
6	TANK FULL OVERRIDE LIGHT
7	EMERGENCY STOP
8	TANK FULL OVERRIDE SWITCH
9	ANTI-FREEZE SWITCH
10	TANK R/L SWITCH
11	FUEL GAUGE
12	HOUR METER
13	KEY SWITCH
14	HI/LO THROTTLE SWITCH
15	AUTOMATIC THROTTLE SWITCH
16	WATER PUMP CLUTCH SWITCH
17	WORK LIGHT SWITCH
18	PLUG/HYD JACK SWITCH

# Water Tank Assembly

# V800HD



VACASSY604

# Water Tank Assembly

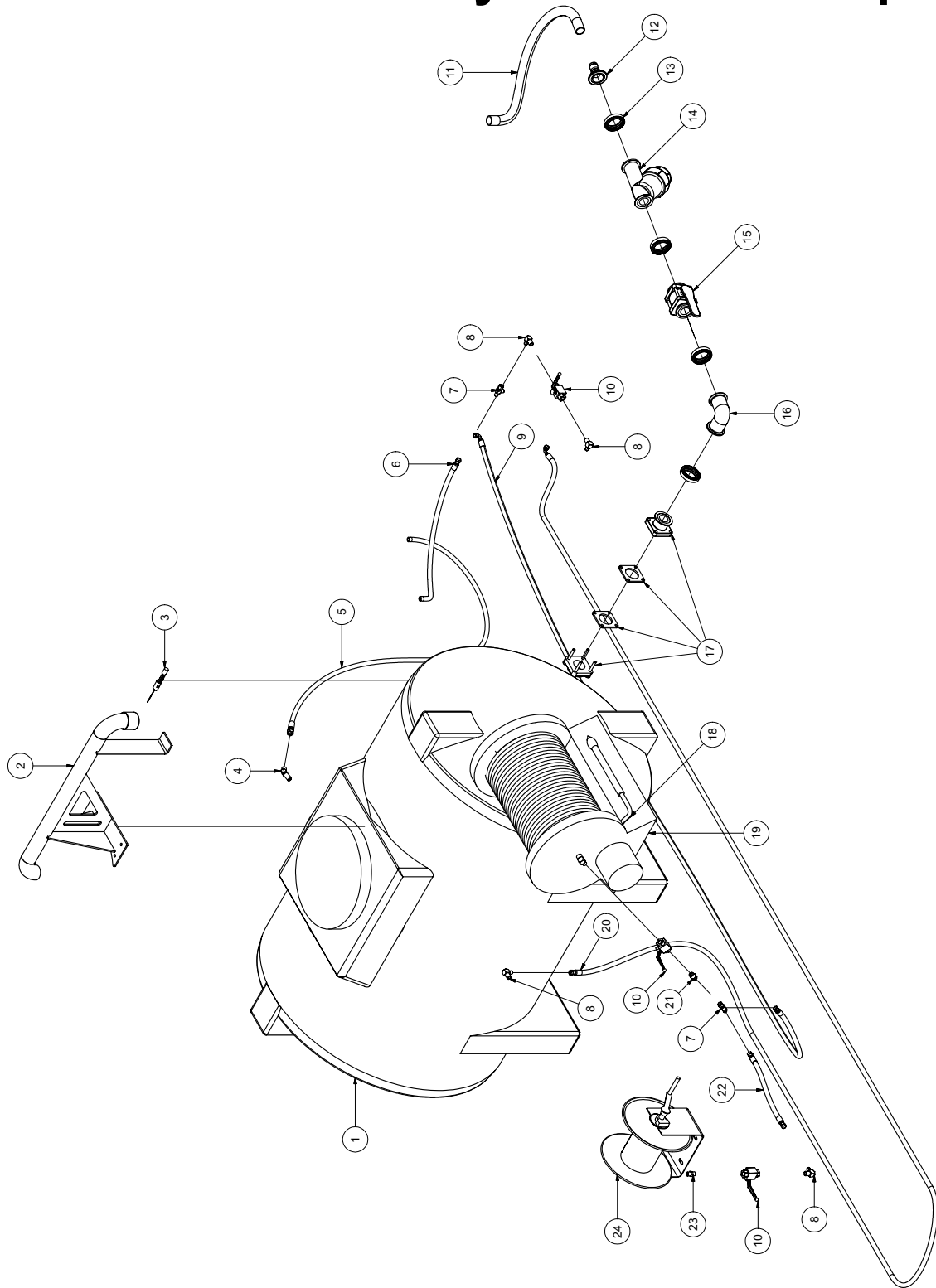
# V800HD

ITEM	QTY	NUMBER	DESCRIPTION
1	1	8030338	230 GALLON WATER TANK
	2	8040084	WATER TANK STRAP
	1	8030931	WATER TANK LID
2	1	8030343	LOW WATER LEVEL SWITCH
3	1	8030518	BULKHEAD 45 DEG, 8MJ
4	1	8041465	HOSE VAC PUSH 8-66
	2	8030524	PUSH LOCK HOSE FITTING 8FJ
5	1	8041466	HOSE ASSY VAC 8-160 ST-ST
6	1	8041467	HOSE VAC PUSH 12-36
	2	8030524	PUSH LOCK HOSE FITTING 12FJ
7	1	T400100	UNION, 3/4MP - 12MJ
8	1	8031134	BUSHING, 2" X 3/4" NPT BANJO
9	1	8030996	ADAPTER, FEMALE 2" BANJO
10	1	8031000	CLAMP, WATER MANIFOLD
11	1	8031001	Y-STRAINER, 2" BANJO
12	1	8031000	CLAMP, WATER MANIFOLD
13	1	8030998	BALL VALVE, 1-1/2 ID BANJO
14	1	8031000	CLAMP, WATER MANIFOLD
15	1	8030995	ELBOW, 2" BANJO
16	1	8031000	CLAMP, WATER MANIFOLD
17	1	80309971	FLANGE, 2" BANJO
18	1	80309972	FLANGE GASKET, 2" BANJO
19	1	80309972	FLANGE GASKET, 2" BANJO
20	1	80309973	FLANGE BOLTED, 2" BANJO
	4	U100060	NUT, HEX 3/8-16
	4	U210060	WASHER, LOCK 3/8
21	1	T401102	ELBOW, 6MJ - 3/8MP
22	1	8041468	HOSE ASSY VAC 8-130 ST-ST
23	2	T401102	ELBOW, 6MJ - 3/8MP
24	1	T402153	TEE, 6MJ - 6MJ - 6FJ
25	2	8030351	BALL VALVE, STEEL 3/8FJ
26	2	T400028	UNION, 6MJ - 3/8MP
27	1	8030346	HOSE REEL
	4	U000420	SCREW, HC 3/8"-16 X 1.0
	8	U200060	WASHER, FLAT 3/8"
	4	U210060	WASHER, LOCK 3/8"
	4	U100060	NUT, HEX 3/8"-16
28	2	U010017	UBOLT, 1/4 - 20 X 1-1/2
29	1	8041469	HOSE ASSY VAC 8-16 ST-ST

VACASSY604

# Water Tank Assembly

# 410 Tank Option



VACASSY605

# Water Tank Assembly

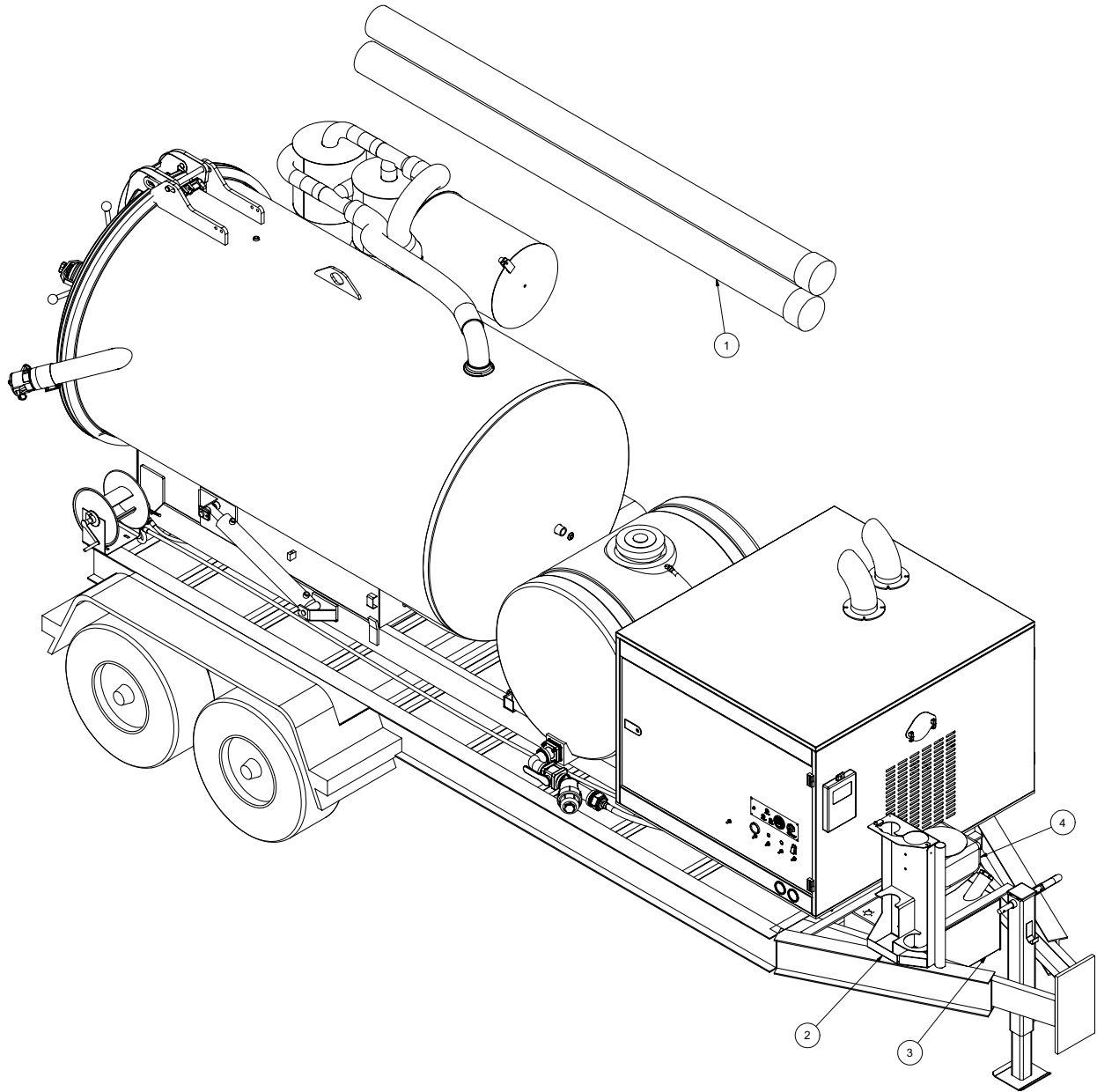
# 410 Tank Option

ITEM	QTY	NUMBER	DESCRIPTION
1	1	8031121	410 GALLON WATER TANK
	2	8041535	WATER TANK STRAP
	1	8031121-1	410 GALLON WATER TANK LID
2	1	8041067	QUICK FILL
	4	U000425	SCREW HC 3/8"-16 X 1"
	8	U200600	WASHER FLAT 3/8"
	4	U210060	WASHER, LOCK 3/8"
	4	U100060	NUT, HEX 3/8"-16
3	1	8030343	SWITCH, WATER SHUTOFF
4	1	8030518	1/2" BULKHEAD 45 DEG.
5	1	8042184	HOSE ASSY VAC 8-80 ST-ST
6	1	8042179	HOSE ASSY VAC 6-36 ST-ST
7	1	T402153	TEE #6MJ - #6MJ - #6FJ
8	4	T401102	ELBOW, #6MJ - 3/8"MP
9	1	8042178	HOSE ASSY VAC 6-155 ST-90
10	3	8030351	3/8" BALL VALVE
11	1	8042189	HOSE VAC CLEAR VINYL 1 1/4-36
12	1	8041999	FLANGED HOSE BARB 1 1/4" - 2"
13	4	8031000	CLAMP, WATER MANIFOLD
14	1	8031001	Y-STRAINER, 2" BANJO
15	1	8030998	BALL VALVE, 1-1/2 ID BANJO
16	1	8030995	ELBOW, 2" BANJO
17	1	80309971	FLANGE, 2" BANJO
	1	80309972	FLANGE GASKET, 2" BANJO
	1	80309972	FLANGE GASKET, 2" BANJO
	1	80309973	FLANGE BOLTED, 2" BANJO
	4	U100060	NUT, HEX 3/8-16
	4	U210060	WASHER, LOCK 3/8
18	1	8031131	1/2" X 300' JETTER HOSE
	1	8031132	1/2" X 15' LEAD JETTER HOSE
	1	8040546	12-30 JETTER NOZZLE
19	1	8031223	JETTER HOSE REEL W/GUIDES
20	1	8042177	HOSE ASSY VAC 6-254 ST-ST
21	1	T400028	UNION 3/8"MP - #6MJ
22	1	8041785	HOSE ASSY VAC 6-18 ST-ST
23	1	T400803	UNION 3/8"MP - 3/8"MP
24	1	8030346	HOSE REEL
	4	U000420	SCREW, HC 3/8"-16 X 1.0
	8	U200060	WASHER, FLAT 3/8"
	4	U210060	WASHER, LOCK 3/8"

VACASSY605

# Trailer Assembly

# V800HD



VACASSY906



# Trailer Assembly

# V800HD

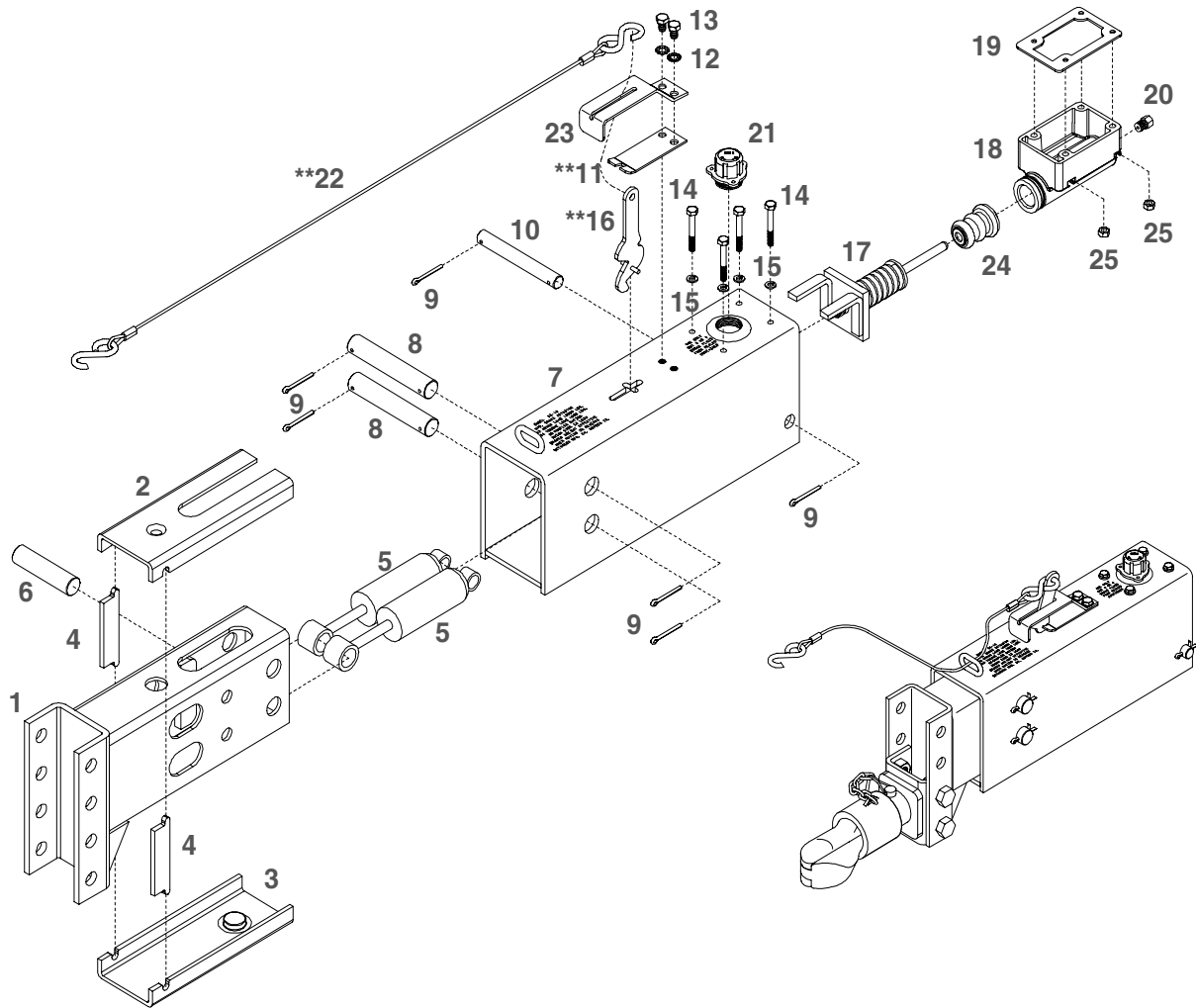
ITEM	QTY	NUMBER	DESCRIPTION	
1	2	8041102	HOSE STORAGE 6" X 10'	
	2	8030925	END CAP 6"	
	2	R700160	R CLIP	
	2	8041101	HOSE STORAGE RETAINING ROD	
	2	8041485	LANYARD CABLE	
	4	8040959	HOSE STORAGE CLAMP	
	8	U200060	WASHER, FLAT 3/8	
	8	U100060	NUT, HEX 3/8	
	2	1	8040985	TOOL RACK
		1	8040989	TOOL RACK CLOSURE
1		R700175	R CLIP 7/8"	
1		8041259	STRAP, 10"	
1		8041485	LANYARD CABLE	
3	1	8042380	FUEL TANK (22 GAL)	
	1	80423801	FUEL CAP	
	2	8041472	MAIN FUEL LINE (6FT)	
	1	8043359	STRAP 1" X 48"	
	1	8030697	FUEL SENDING UNIT	
4	1	8030656	FUEL FILTER	
	1	8030394	ANTI-FREEZE TANK (4 GAL)	
	4	U000180	SCREW, HC 5/16"-18 X .75"	
	4	U200040	WASHER, FLAT 5/16	
	4	U210040	WASHER, LOCK 5/16	
	1	T403100	UNION 12FP 20MP	
	1	T401040	ELBOW 90 12MP 12MP	
	1	T000185	BALL VALVE 3/4" FP	
	1	T400080	UNION 8MJ - 12MP	
	2	8030524	# 8 FJ PUSHLOCK	
	1	8041470	HOSE, ANTIFREEZE	
	*	2	8041263	PLASTIC STRIP
*	1	8041680	SKID WELDMENT	
*	6	8040038	U-BOLT SKID TO TRAILER	
	6	8040240	U-BOLT MTG. BLOCK	
	12	U200100	WASHER, FLAT 1/2"	
	12	U100120	NUT, HEX 1/2"-13	

\* ITEM NOT SHOWN

VACASSY906

# Surge Brake Option

# V800HD



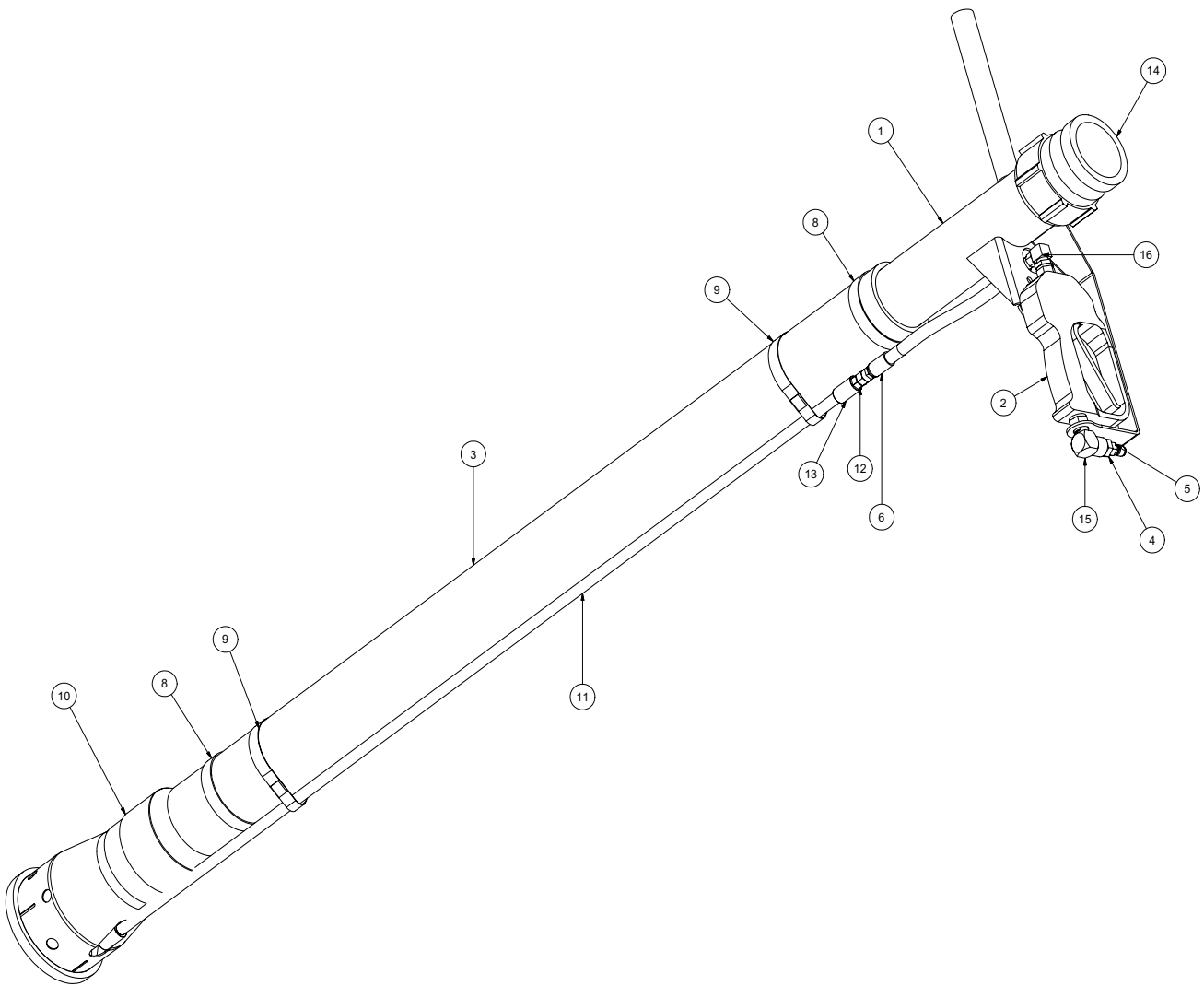
# Surge Brake Option

# V800HD

ITEM	QTY	NUMBER	DESCRIPTION
1	1	8040790-1	INNER SLIDER TUBE CHAN. DOWN
2	1	8040790-2	TOP WEAR PAD
3	1	8040790-3	BOTTOM WEAR PAD
4	2	8040790-4	SPACER BLOCK
5	2	8040790-5	DAMPER SHOCK
6	1	8040790-6	FRONT SHOCK PIN (ZINC PLATED)
7	1	8040790-7	OUTER CASE
8	2	8040790-8	CONNECTING PIN (ZINC PLATED)
9	6	8040790-9	5/32" X 1-1/4" COTTER PIN
10	1	8040790-10	REAR SHOCK PIN (ZINC PLATED)
11	1	8040790-11	EMERGENCY LEVER SPRING (ZINC PLATED)
12	2	8040790-12	5/16" EXTERNAL TOOTH LOCK WASHER
13	2	8040790-13	5/16"-18 UNC X 5/8" HEX HEAD BOLT GR.5
14	4	8040790-14	1/4"-20 UNC X 2" HEX HEAD BOLT GR.5
15	4	8040790-15	1/4" LOCK WASHER
16	1	8040790-16	EMERGENCY LEVER (ZINC PLATED)
17	1	8040790-17	PUSH ROD ASSEMBLY
18	1	8040790-18	COMPOSITE MASTER CYLINDER (DRUM BRAKES)
19	1	8040790-19	REPLACEMENT MASTER CYL. GASKET ONLY
20	1	8040790-20	1/8" PIPE-3/16" FITTING W/ORIFICE (DRUM)
21	1	8040790-21	MASTER CYLINDER CAP W/DIAPHRAGM AND O-RING
22	1	8040790-22	3/32" CABLE WITH HOOKS (BOTH ENDS)
23	1	8040790-23	LEVER GUIDE (ZINC PLATED)
24	1	8040790-24	MASTER CYL. PROTECTIVE BOOT
25	4	8040790-25	1/4"-20 UNC HEX NUTS

# Tools

# Reduction Tool



# Tools

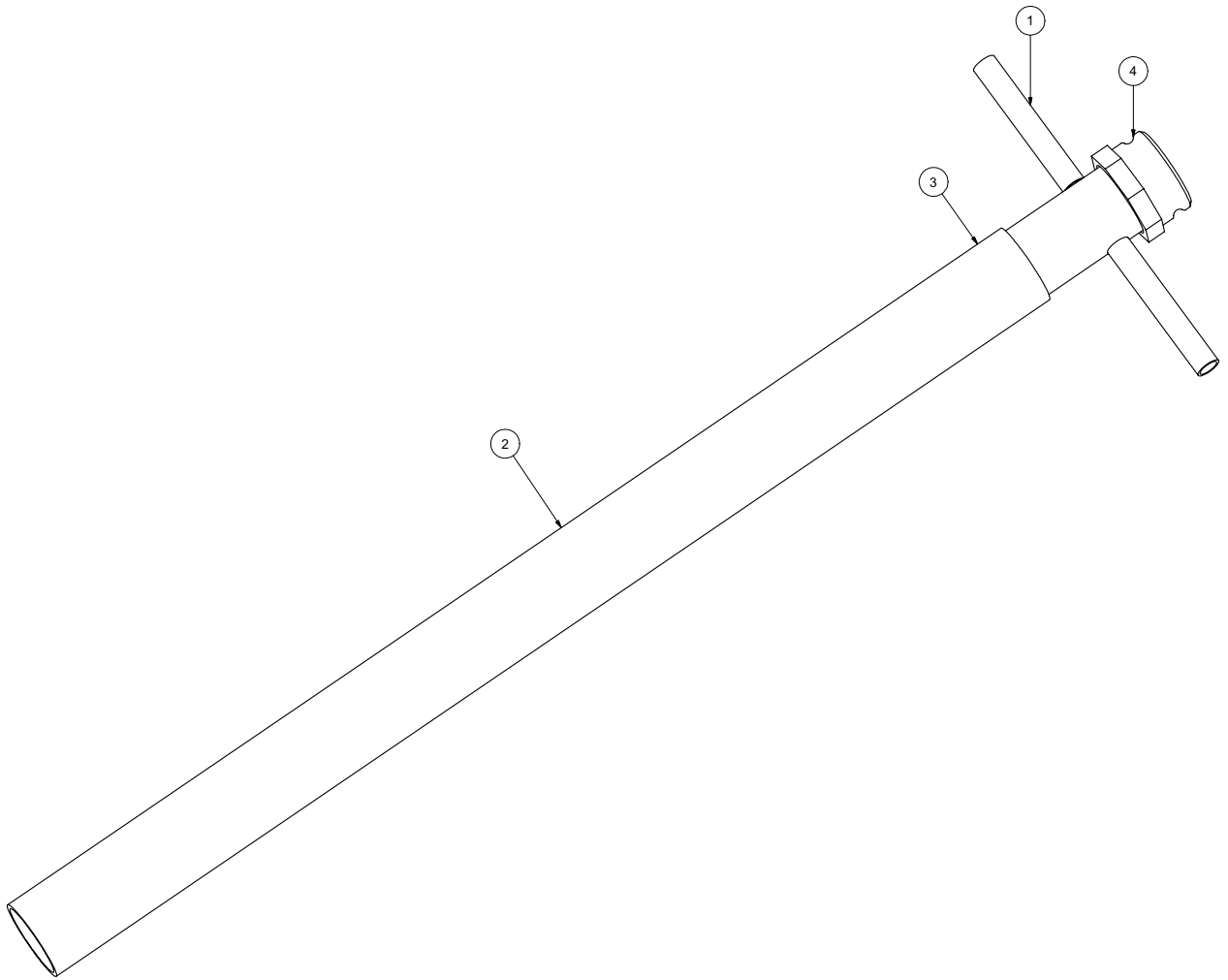
# Reduction Tool

ITEM	QTY	PART NO.	DESCRIPTION
-	-	8030202	TOOL VAC REDUCTION STD COMPLETE
1	1	8042862	TOOL VAC HEAD ASSY 3"
2	1	8042026	STRAIGHT SPRAY GUN
3	1	8030212	TOOL VAC REDUCTION PVC 3" X 54"
4	1	T400023	UNION 6MP 4FP
5	1	8030486	WATER QD 1/4 MNPT SS
6	2	T320030	FITTING, HOSE 4HO 4FJ
7	1	8031278	HOSE ASSEMBLY REDUCTION TOOL
8	2	8042605	CLAMP HOSE T BOLT 350
9	2	8042855	CLAMP HOSE T BOLT 375
10	1	8030627	TOOL VAC REDUCTION LOWERASSY
11	1	8030247	VAC WATER SUPPLY TUBE
12	1	T400020	UNION 1/4" MP-1/4" MJ STRAIGHT
13	1	8030367	VAC FITT 1/4" FF-S
14	1	8030391	BANJO 3" MALE 3" FNPT
15	1	T401065	ELBOW, 3/8 MP - 3/8 FP
16	1	T401100	ELBOW 4MP 4MJ 90
*	2	8030370	REDUCTION TOOL NOZZLE
*	2	8031268	REDUCTION TOOL NOZZLE 45 DEG

\* NOT SHOWN

# Tools

# 4" Suction Tool



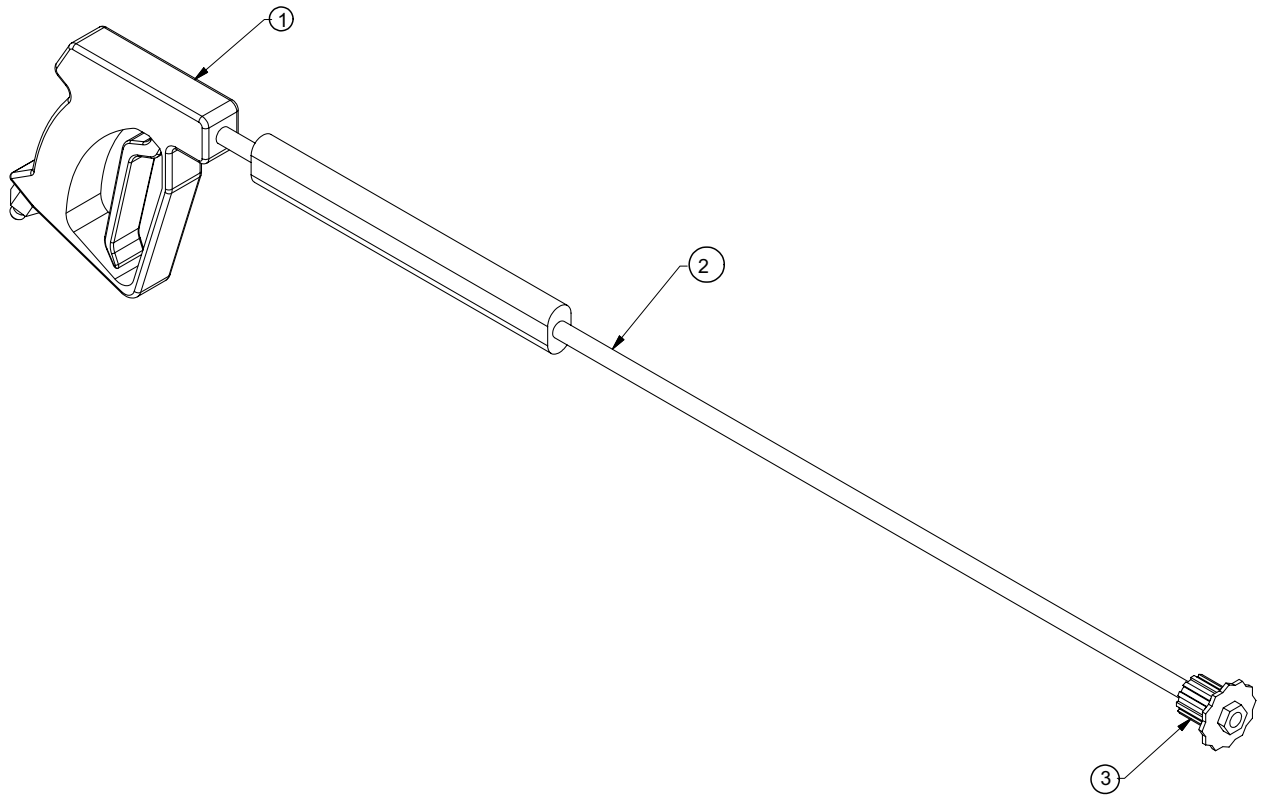
# Tools

# 4" Suction Tool

Item	Qty	Number	Description
	1	8040983	TOOL VAC SUCTION 4" COMPLETE
1	1	8040981	TOOL VAC HANDLE ASSEMBLY 4"
2	1	8040982	PVC VACUUM TUBE 4"
3	1	8030912	CLAMP, 4.5" PUNCHLOK
4	1	8030844	COUPLING, 4" ALUM CAMLOCK M X F

# Tools

# Wash Wand



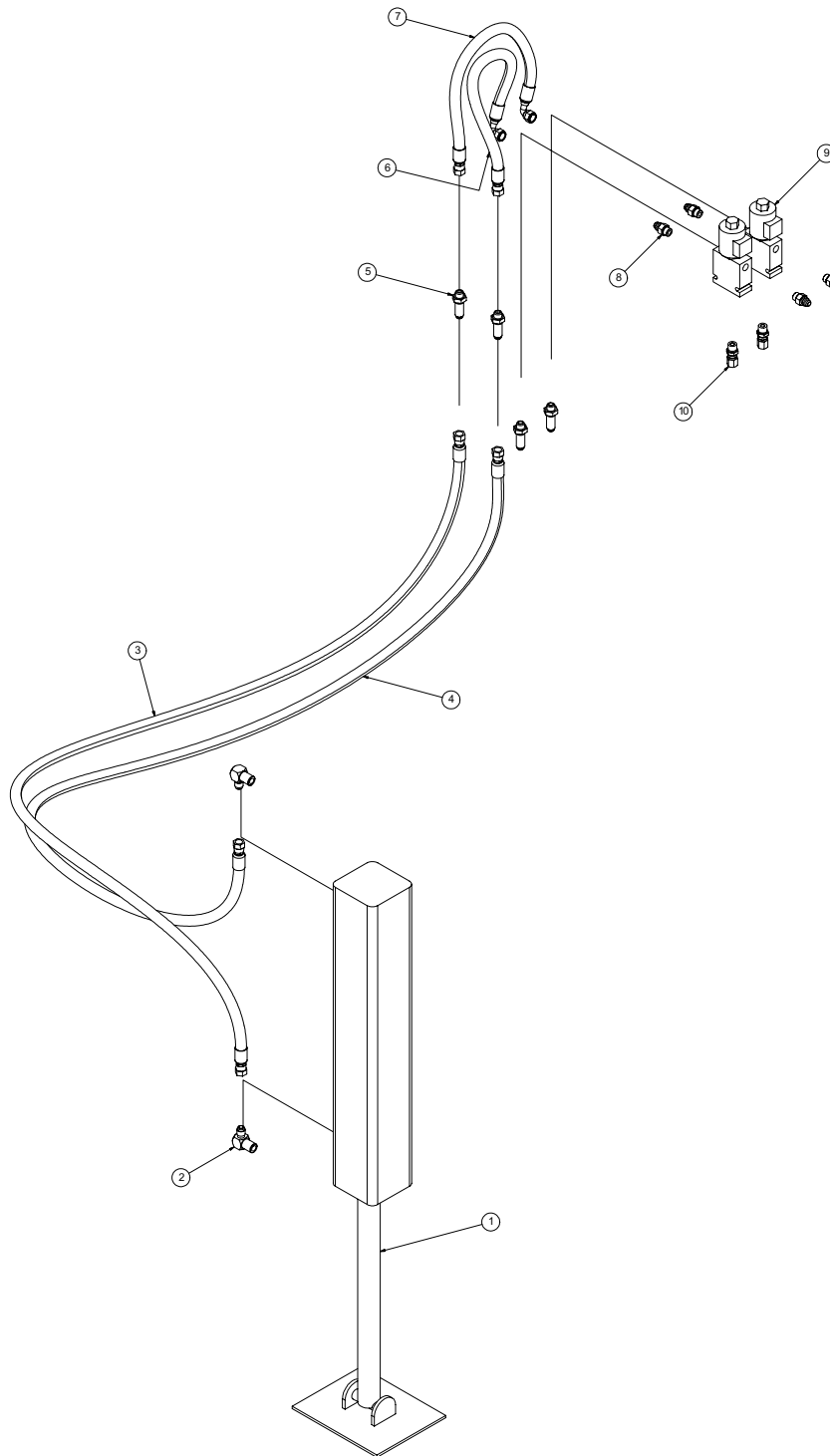


# Tools

# Wash Wand

Item	Qty	Number	Description
	1	8030348	TOOL VAC SPRAY WAND COMPLETE
1	1	8030928	TRIGGER ASSEMBLY
2	1	8030847	WAND
3	1	8031308	NOZZLE

# Hydraulic Jack Option

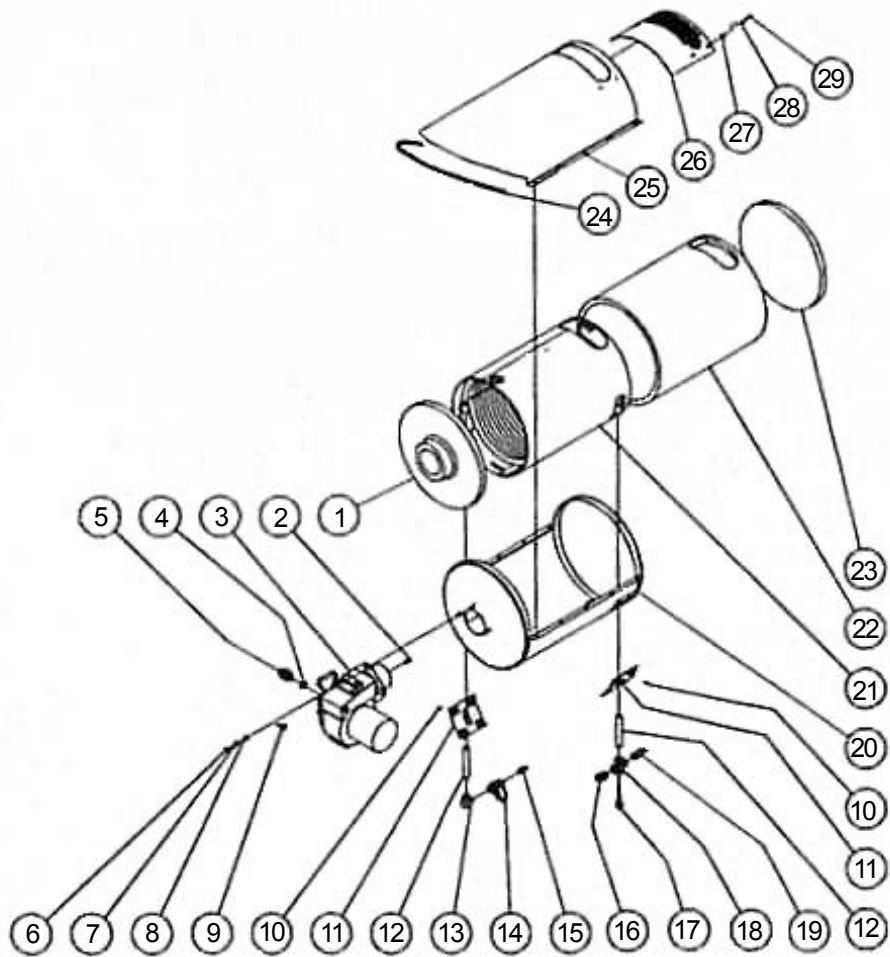


# Hydraulic Jack Option

Item	Qty	Number	Description
1	1	8041998	HYDRAULIC JACK CYLINDER
2	2	T400135	REDUCER 1/2"MB - 3/8"MJ
3	1	8042661	HOSE ASSY VAC 6-66 ST-90
4	1	8041442	HOSE ASSY VAC 6-60 ST-90
5	2	T400391	BULKHEAD, 3/8"MJ - 3/8"MJ
6	2	8040973	HOSE ASSY VAC 6-20 ST-90
7	4	T400037	UNION, 3/8"MB - 3/8"MJ
8	2	8041788	SOLENOID VALVE
9	2	8030512	UNION, 3/8"MB - 3/8"FJ
*	1	8041077	JACK SWITCH
*	1	8040185	RELAY
*	1	8040184	RELAY SOCKET
*	2	8031292	DIODE

\* NOT SHOWN

# Hot Box Assembly Option



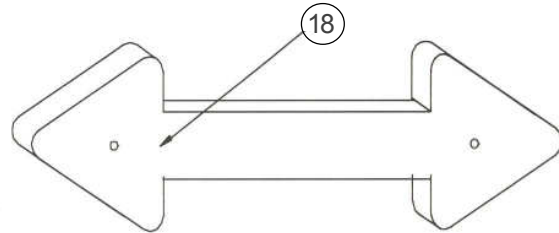
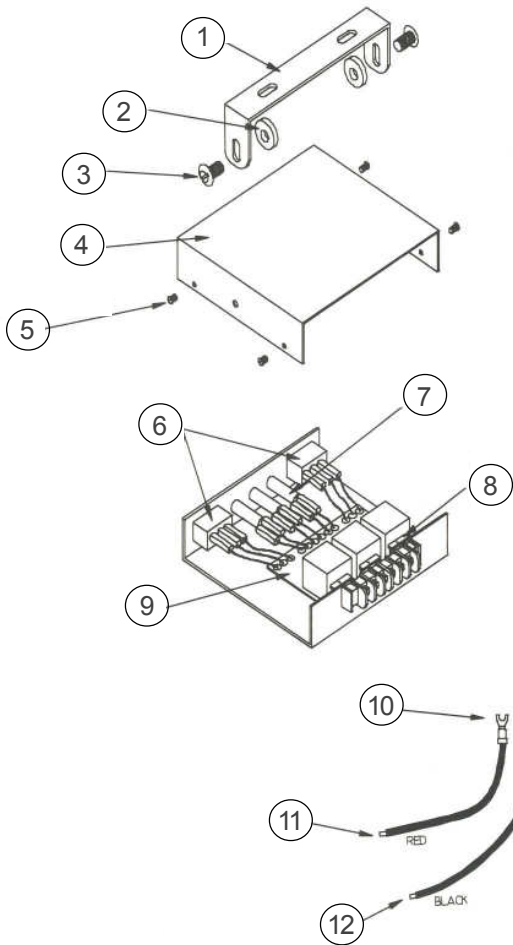
# Hot Box Assembly Option

ITEM	QTY	NUMBER	DESCRIPTION
1	1	8040088-01	INSULATION DRUM HEAD
2	1	8040088-02	NOZZLE-OIL
3	1	8040088-03	BURNER-12 VOLT
4	1	8040088-04	LOCKNUT 1/2-ELECTRICAL
5	1	8040088-05	CONDUIT STRAIGHT CONNECTOR
6	3	U100060	HEX NUT 3/8-16
7	3	P130004	LOCKWASHER 3/8
8	3	U200060	FLATWASHER 3/8
9	1	8040088-09	ELBOW 1/4 M 1/4 BARB 90 BRASS
10	8	8040088-10	SCREW SELF DRILL #10 X 1/2
11	2	8040088-11	PATCH PLATE
12	2	8040088-12	PIPE NIPPLE 1/2 NPT X 5 1/2 LONG
13	1	8040088-13	ELBOW 1/2 F X 3/8 M STEEL
14	1	8040088-14	FLOW SWITCH
15	1	8040088-15	QC PLUG 3/8 M X 3/8 PLUG SS
16	1	8040088-16	QC SOCKET 1/2 M X 3/8 SOCKET BRASS
17	1	8040088-17	ADJUSTABLE THERMOSTAT 86-194F
18	1	8040088-18	CROSS 1/2 NPT STL
19	1	8040088-19	PRESSURE RELIEF VALVE 4500 PSI
20	1	8040088-20	BOTTOM WRAP ASSEMBLY
21	1	8040088-21	COIL ASSEMBLY
22	1	8040088-22	INSULATION BLANKET
23	1	8040088-23	INSULATION DISC
24	1	8040088-24	EDGING 3 FT REQUIRED
25	1	8040088-25	TOP WRAP
26	1	8040088-26	SLOTTED EXHAUST PLATE
27	4	8040088-27	CLIP NUT 1/4-2 DUNC
28	4	8040088-28	WASHER Z1 SAE TYPE A 3/16
29	4	8040088-29	SCREW #10-032 X 3/4 LONG
*	4	8040088-30	STRAIN RELIEF
*	1	8040088-31	TERMINAL 10GA 1/4 FLAG FEMALE
*	20	8040088-32	WIRE #10 AWG BLK
*	1	8040088-33	ELECTRIC BOX ASSEMBLY
*	21	8040088-34	RELAY CONTROL
*	1	8040088-35	WIRE 10GA RED
*	1	8040088-36	ROCKER SWITCH 15AMP 24 VOLT

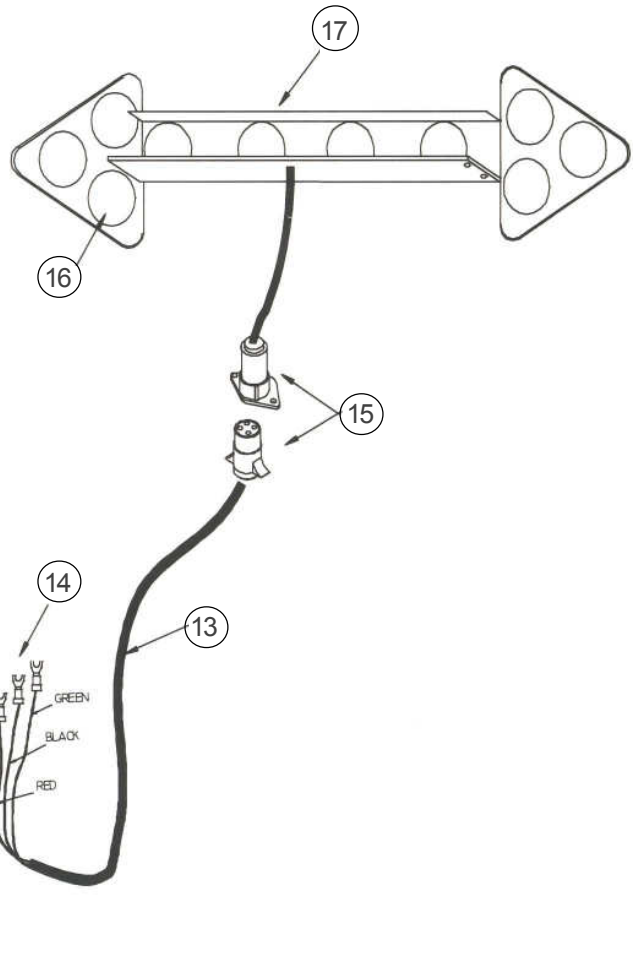
\* ITEM NOT SHOWN

# Arrow Board Option

ARROW BOARD & DUST COVER  
NOT DRAWN TO SCALE



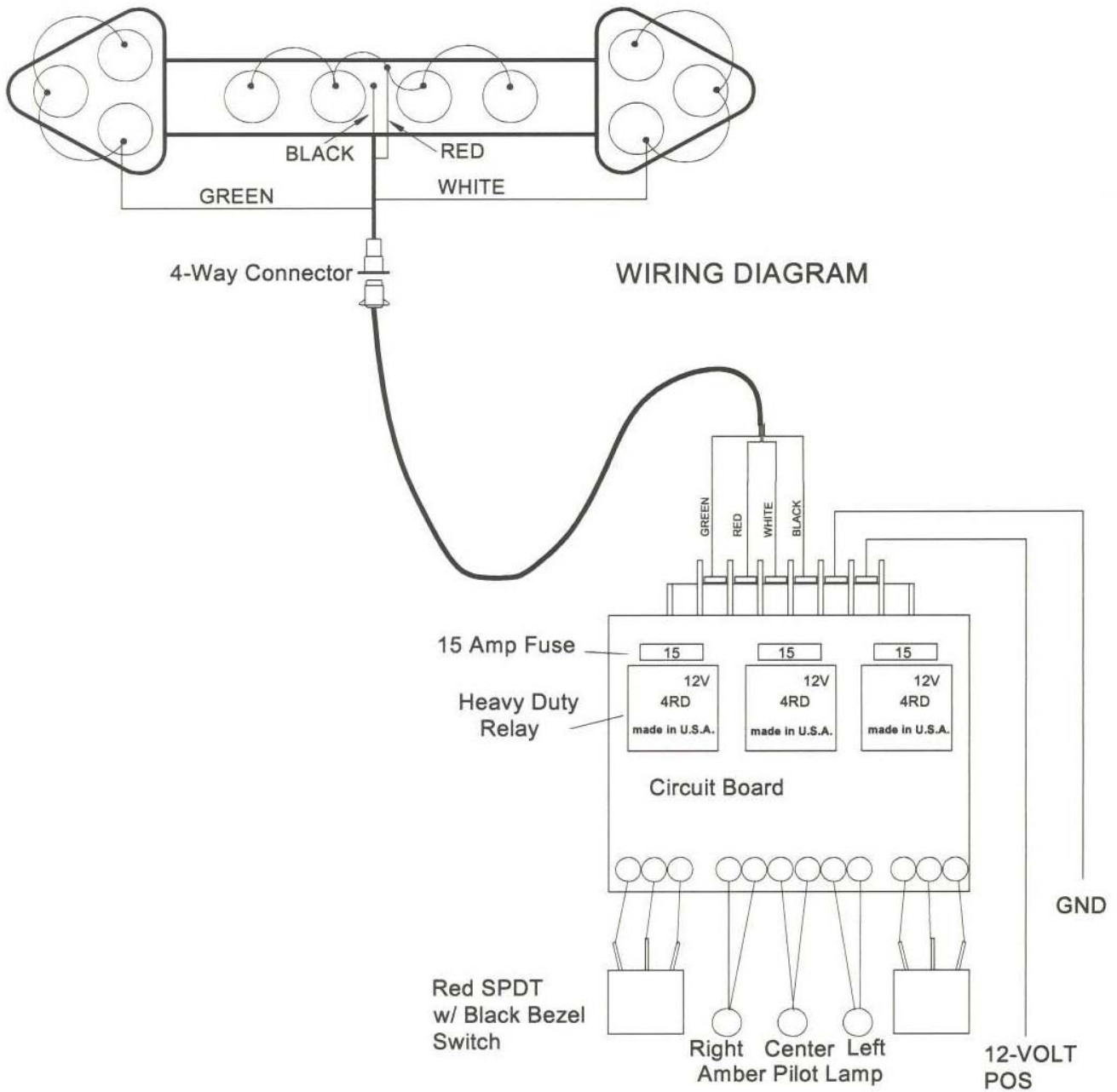
NOTE: MOUNTING BRACKETS MUST BE  
ATTACHED TO ARROW BOARD BEFORE  
DUST COVER IS REPLACED



# Arrow Board Option

ITEM	QTY	NUMBER	DESCRIPTION
1	1	8042197-1	MOUNTING BAIL
2	2	8042197-2	WASHER
3	2	8042197-3	BOLT
4	1	8042197-4	COVER
5	4	8042197-5	MACHINE SCREW
6	2	8042197-6	SPDT SWITCH
7	3	8042197-7	RED PILOT LAMP
8	1	8042197-8	15 AMP FUSE
9	1	8042197-9	CIRCUIT BOARD ASSY
10	2	8042197-10	#6 BLUE SPADE CONNECTOR
11	4'	8042197-11	RED
12	4'	8042197-12	BLACK
13	20'	8042197-13	CABLE HARNESS
14	4	8042197-14	#6 BLUE SPADE CONNECTOR
15	1	8042197-15	4-WAY CONNECTOR
16	1	8042197-16	STANDARD LAMP ASSY
17	1	8042197-17	ARROW BOARD FRAME
18	1	8042197-18	DUST COVER

# Arrow Board Option Wiring Schematic

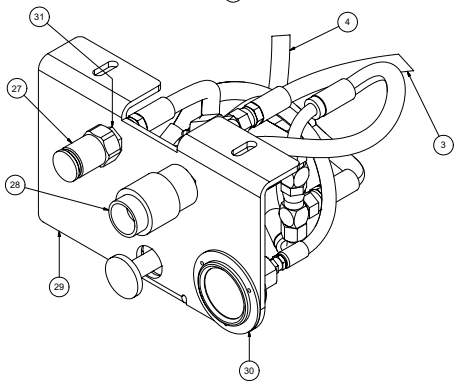
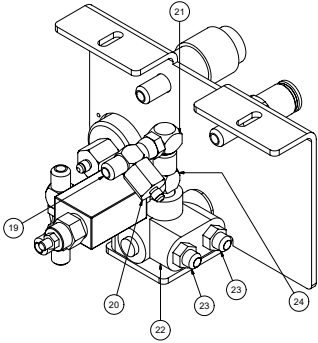
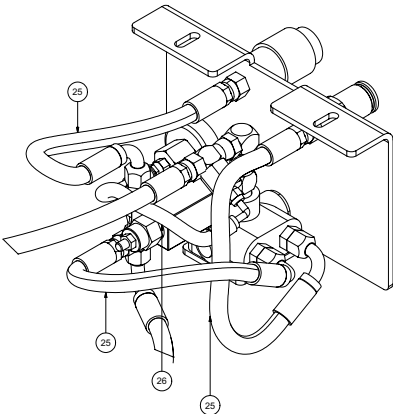
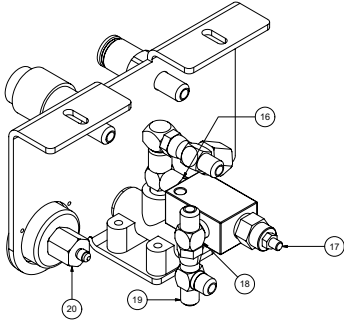
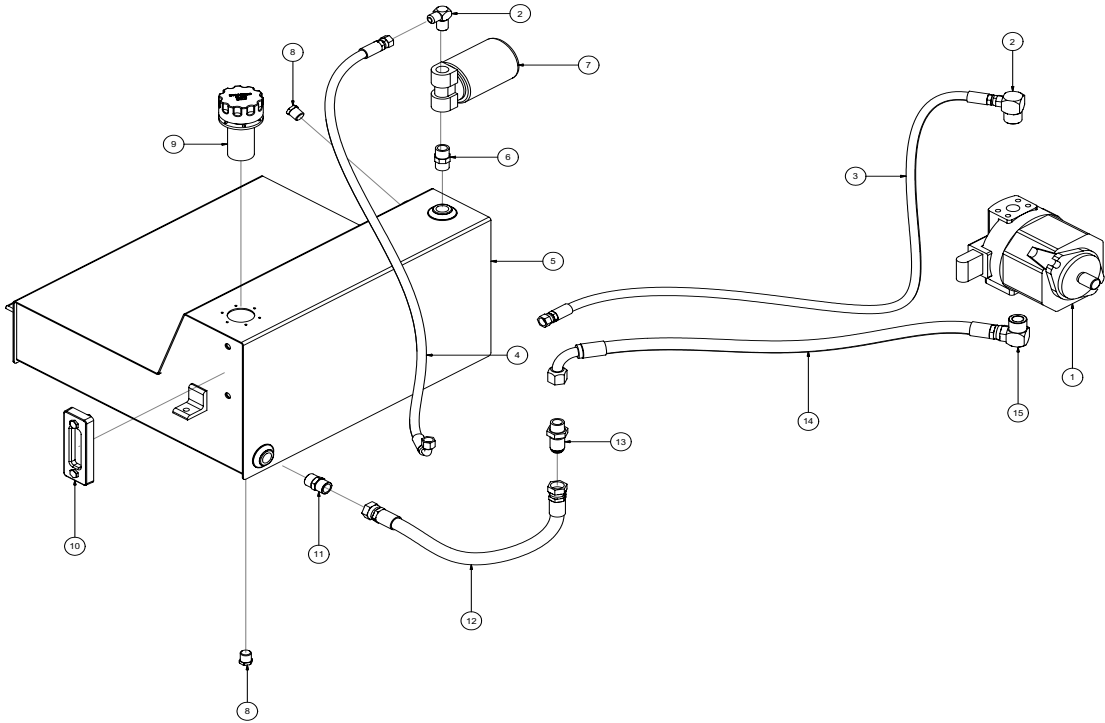




**PAGE LEFT BLANK**

# Auxillary Hyd Option

# 73 HP



**VACASSY955**

# Auxillary Hyd Option

# 73 HP

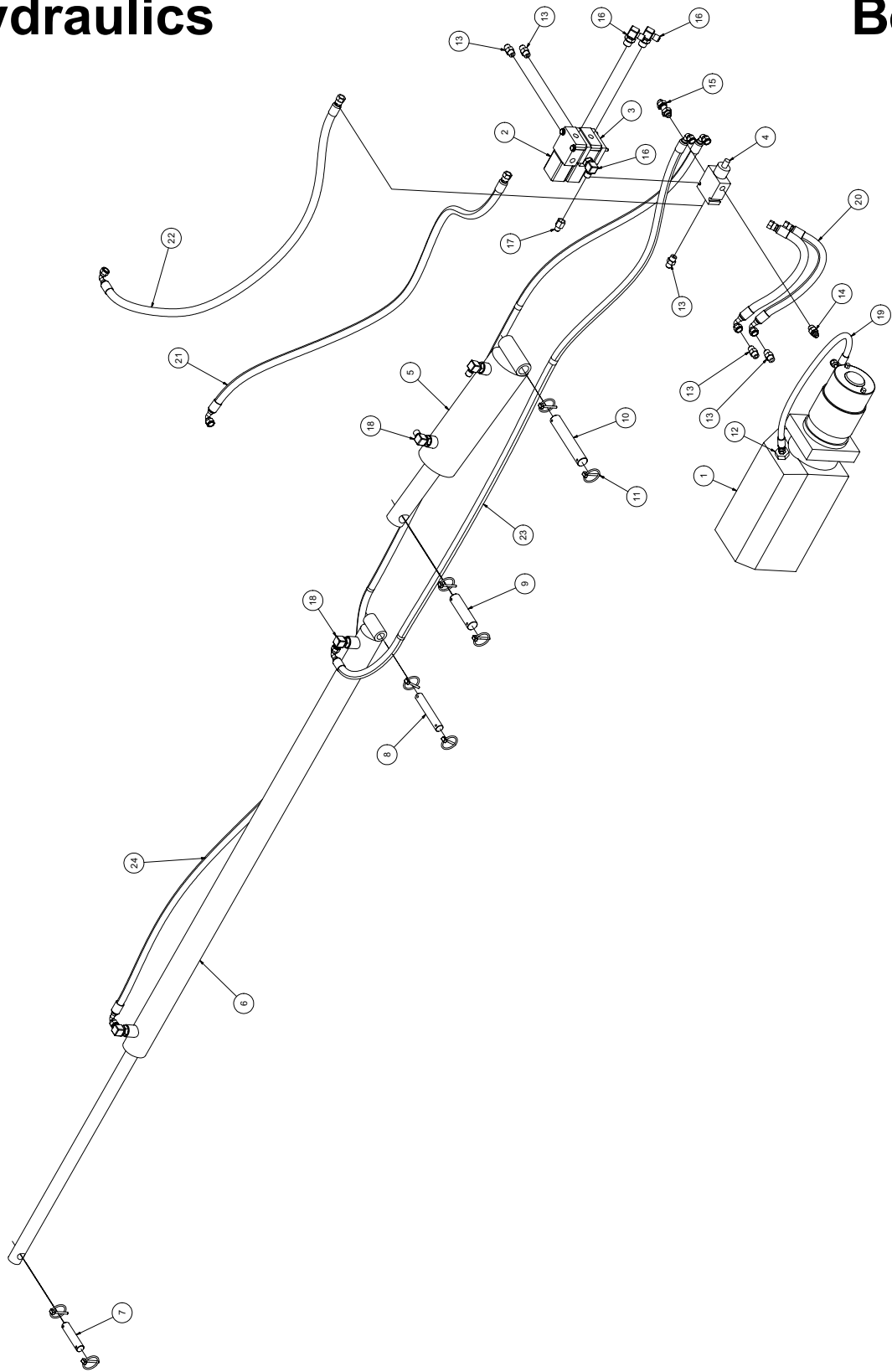
ITEM	QTY	PART	DESCRIPTION
1	1	8034167	AUX. HYD PUMP
2	2	T401160	ELBOW, 3/4"MP - 1/2"MJ
3	1	8041868	HOSE ASSY VAC 8-130 ST-ST
4	1	8041869	HOSE ASSY VAC 8-100 ST-90
5	1	8041143	HYDRAULIC TANK
6	1	T400800	UNION, HEX 12MP - 12MP
7	1	T700080	FILTER, HYDASSY
	1	T700090	FILTER ELEMENT
8	2	T405065	PLUG, 3/4"MP
9	1	2050068	CAP ASSY HYD TANK
10	1	T720115	GUAGE, SIGHT, HYD OIL
11	1	T400100	UNION, 3/4"MP - 3/4"MJ
12	1	8041488	HOSE ASSY VAC 12-30 ST-90
13	1	T400386	BULKHEAD, 3/4"MJ - 3/4"MJ
14	1	8041487	HOSE ASSY VAC 12-12 90-90
15	1	T401180	ELBOW, 3/4"MP - 3/4"MJ
16	1	T404020	UNION, 1/2"MP - 1/2"MP
17	1	8041829	RELIEF VALVE
18	1	T402120	TEE, 1/2"MJ - 1/2"MP - 1/2"MJ
19	2	T402155	TEE, 1/2"FJ - 1/2"MJ - 1/2"MJ
20	2	T400700	REDUCER, 1/2"FJ - 1/4"MJ
21	1	T401140	ELBOW, 1/2"MP - 1/2"MJ
22	1	T000200	SELECTOR VALVE
23	2	T400040	UNION, 1/2"MP - 1/2"MJ
24	1	T402156	TEE, 1/2"MP - 1/2"FP - 1/2"FP
25	3	8041492	HOSE ASSY VAC 8-18 ST-90
26	1	8041494	HOSE ASSY VAC 4-18 ST-90
27	1	8030662	Q.D. MALE DRIPLESS 1/2"
28	1	8030663	Q.D. FEMALE DRIPLESS 1/2"
29	1	8041149	AUX HYD CONSOLE - MTG PLATE
30	1	HM00092	PRESSURE GUAGE
31	2	T400396	BULKHEAD, 1/2"MP - 1/2"MJ
*	1	J200002	DECAL SHEET

\* NOT SHOWN

VACASSY955

# Hydraulics

# Boom



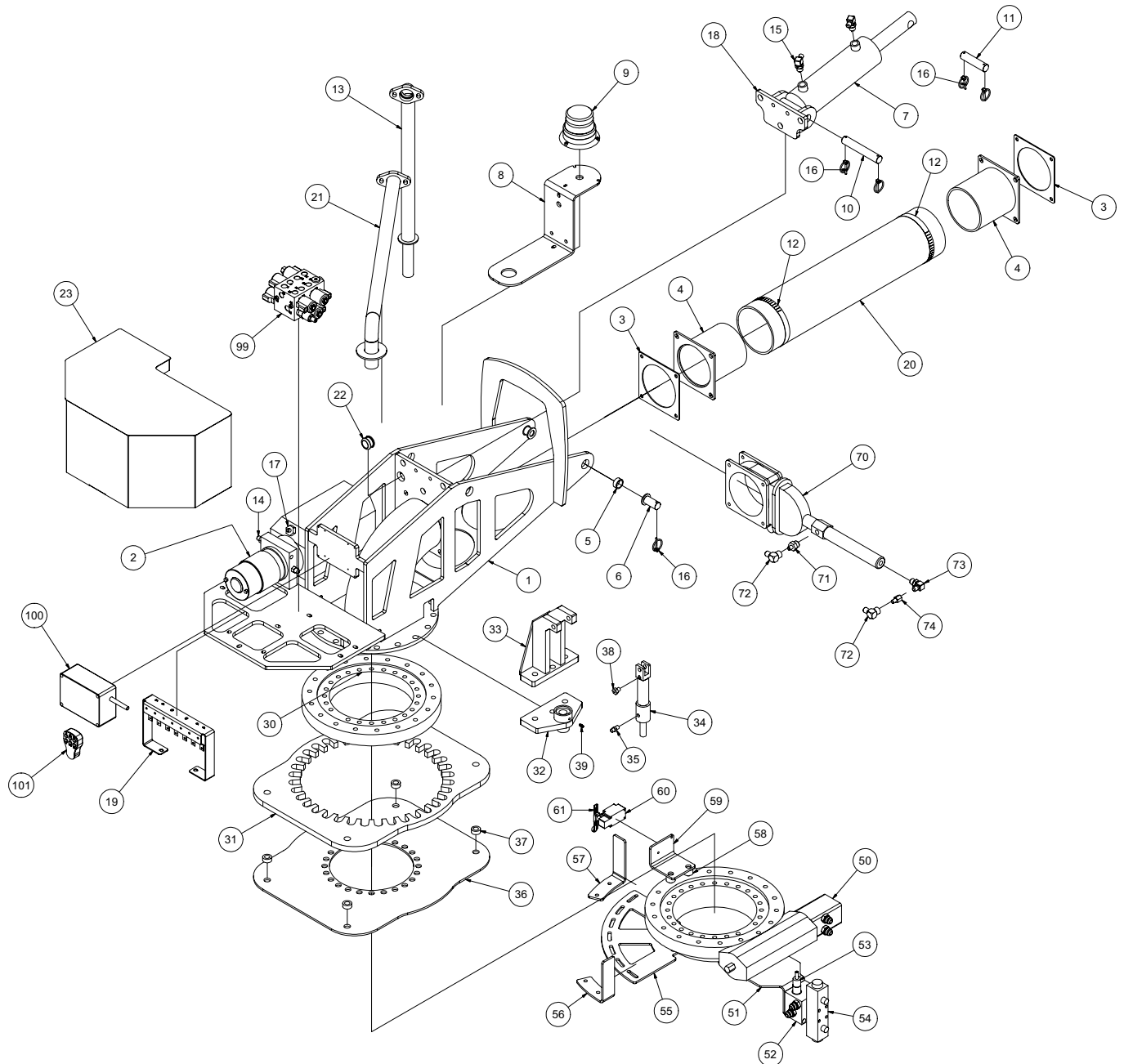
# Hydraulics

# Boom

ITEM	QTY	NUMBER	DESCRIPTION
1	1	8041601	HYDRAULIC POWER PACK 12V-6QT
2	2	8041884	SOLENOID VALVE
3	2	8042125	SOLENOID VALVE SPACER
4	1	4810712	RELIEF VALVE
5	1	8041925	CYLINDER RAISE-LOWER
6	1	8041926	CYLINDER EXTEND-RETRACT
7	1	8042350	ROD PIN (EXTENSION CYLINDER)
8	1	8042122	BASE PIN (EXTENSION CYLINDER)
9	1	8041990	ROD PIN (PIVOT CYLINDER)
10	1	8041977	BASE PIN (PIVOT CYLINDER)
11	8	U340050	LINCH PIN 3/16 X 1-9/16
12	1	T403018	REDUCER 12MP 4MJ
13	5	T400037	UNION 6MB 6MJ
14	1	T400550	UNION 6MB 4MJ
15	1	T400038	UNION 6MB 6MB
16	3	T401250	ELBOW 90 6MB 6MJ
17	1	8042267	ORIFICE 6MJ 6FJ .094"
18	4	T401270	ELBOW 90 8MB 6MJ
19	1	8042439	HOSE ASSY VAC 4-12 ST-90
20	2	8042427	HOSE ASSY VAC 6-12 ST-90
21	1	8042205	HOSE ASSY VAC 6-47 ST-45
22	1	8042206	HOSE ASSY VAC 6-52 ST-45
23	1	8042204	HOSE ASSY VAC 6-63 90-90 OPP
24	1	8042199	HOSE ASSY VAC 6-106 90-90 SAME

# Turret

# Boom



041608

**VACASSY980  
VACASSY981  
VACASSY982  
VACASSY983**

# Turret

# Boom

## VACASSY 980 TURRET ASSEMBLY

ITEM	QTY	PART NO.	DESCRIPTION
1	1	8042240	BOOM - TURRET WELDMENT
2	1	8041601	PUMP HYD 12V 6QT
3	2	8041988	BOOM - FLANGE GASKET
4	2	8041958	BOOM - FLEX HOSE ADAPTER WELDMENT
5	2	8042101	BUSHING BRONZE 1.25"X1.00"X0.50"LG
6	2	8042124	BOOM - TURRET PIVOT PIN
7	1	8030359	HYDRAULIC CYLINDER
8	1	8041932	BOOM - TURRET STROBE LIGHT PLATE
9	1	8030347	STROBE LIGHT
10	1	8041977	BOOM - PIVOT CYLINDER BASE PIN
11	1	8041990	BOOM - PIVOT CYLINDER ROD PIN
12	2	8042104	HOSE CLAMP - 6 IN T-BOLT
13	1	8042108	BOOM CABLE TUBE WELDMENT
14	2	T400037	UNION 6MB-6MJ
15	2	T401270	ELBOW, 90 1/2"MB-3/8"MJ
16	6	U340050	PIN LINCX 3/16 X 1-9/16
17	1	T403018	REDUCER 12MP 4MJ
18	1	8042887	ADJUSTABLE CLEVIS - BOOM
19	1	8043639	BRACKET BOOM ELECTRONICS
20	1	8043678	HOSE AG SUCTION 6-30
21	1	8043245	BOOM CABLE TUBE WELDMENT
22	2	8041686	GROMMET 1"ID- 1 1/4"DOG-1/4"WO
23	1	8043090	BOOM GUARD
99	1	8043674	BOOM MANIFOLD
*	4	X000320	DIODE
*	1	8040185	RELAY
*	1	X200005	ENGINE WIRING HARNESS
*	4	8043584	3-WAY VALVE

## VACASSY 981 MANUAL ROTATION ASSEMBLY

ITEM	QTY	PART NO.	DESCRIPTION
30	1	8042234	BOOM SWIVEL BEARING - INNER RING
31	1	8042779	BOOM MOUNT BRAKE RING
32	1	8042967	BOOM HYD BRAKE BOTTOM WELDMENT
33	1	8042968	BOOM HYD BRAKE TOP WELDMENT
34	1	8043052	BRAKE CYLINDER
35	1	T400116	REDUCER 4MP 6MJ
36	1	8043021	BOOM - LOWER STOP DISC
37	4	8030315	SKID - WATER TANK CLEVIS TUBE
38	1	T400801	PLUG BREATHER 1/4" NPT
39	1	T500080	FITTING, GREASE 3/16"
99	1	8043674	BOOM MANIFOLD
*	1	X000320	DIODE
*	2	8043690	TIME RELAY 2-SEC N/C
*	1	8043585	2-WAY VALVE N/O
*	1	8043586	CHECK VALVE
*	1	8042302	PRESSURE SWITCH 1000 PSI, N/C

## VACASSY 982 HYDRAULIC ROTATION ASSEMBLY

ITEM	QTY	PART NO.	DESCRIPTION
50	1	8042231	Boom Swivel Bearing - Inner Ring
51	1	8042344	TANK - BOOM HYD MANIFOLD MTG PLATE
52	1	8041974	VALVE MANIFOLD BOOM HYD ROT
53	1	8041973	VALVE RELIEF BOOM HYD ROT
54	1	8041971	VALVE DIRECTINAL BOOM HYD ROT
55	1	8042351	BOOM - ROTATION STOP BASE PLATE
56	1	8042359	BOOM - ROTATION STOP BRACKET OPP
57	1	8042357	BOOM - ROTATION STOP BRACKET
58	2	8042376	BOOM - LIMIT SWITCH BRACKET SPACER
59	1	8042360	BOOM - LIMIT SWITCH BRACKET
60	1	8042431	LIMIT SWITCH (LEVER NOT INCLUDED)
61	1	8042432	LIMIT SWITCH ADJ LOWER

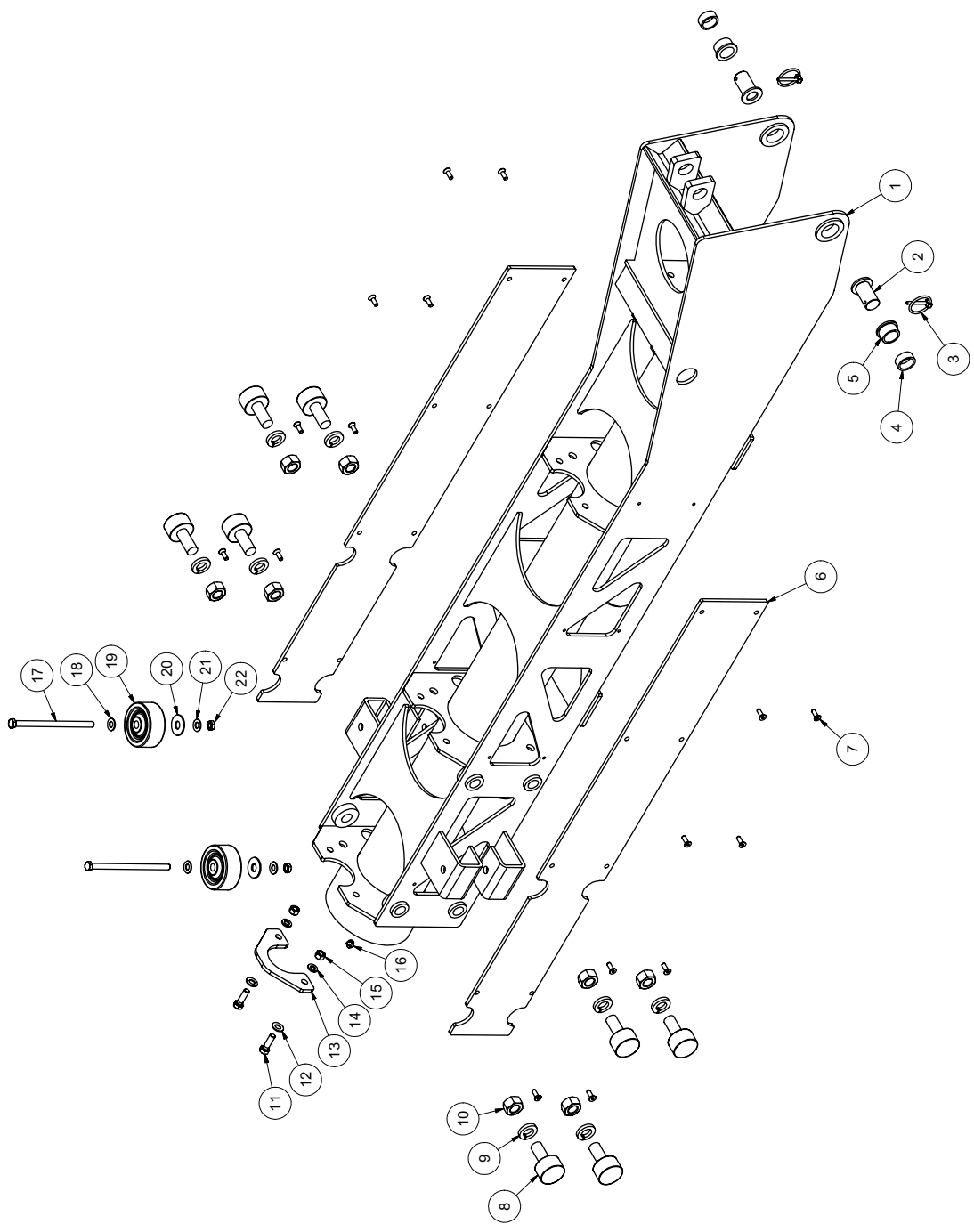
## VACASSY 983 REV FLOW

ITEM	QTY	PART NO.	DESCRIPTION
70	1	8043577	GATE VALVE - 6" W/ HYD CYL DBL ACT
71	1	T400034	Reducer M18 Male - 6MJ
72	2	T401228	ELBOW, 3/8 MJ - 3/8 FJ
73	1	T401221	ELBOW 90 M18 Male - 8MJ
74	1	T400705	REDUCER 8FJ-6MJ
99	1	8043674	BOOM MANIFOLD
*	2	8043584	3-WAY SOLENOID
*	2	X000320	DIODE
100	1	8041914	BOOM - RC RECEIVER 6-RELAY
*		8042427	BOOM - RC RECEIVER 8-RELAY
101	1	8042426	RC TRANSMITTER 6 BUTTON (W/ GRAPHIC OVERLAYS)
*		8042428	RC TRANSMITTER 8 BUTTON (W/ GRAPHIC OVERLAYS)

\* NOT SHOWN

# Pivot Arm

# Boom





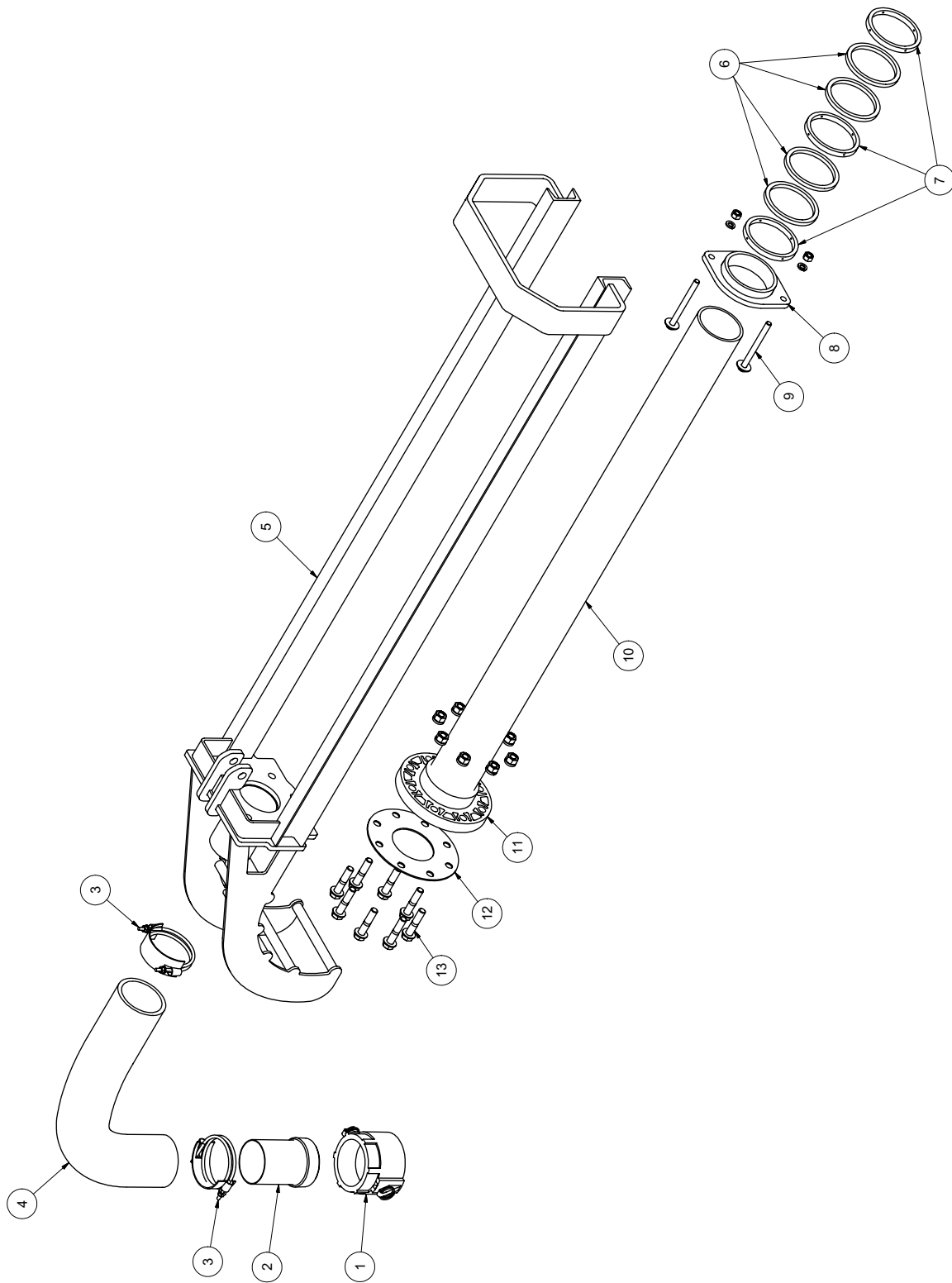
# Pivot Arm

# Boom

ITEM	QTY	NUMBER	DESCRIPTION
1	1	8041950	PIVOT ARM
2	2	8042124	PIN
3	10	U340050	PIN LINCH 3/16 X 1-9/16
4	2	8042101	BUSHING BRONZE 1.25"X1.00"X0.50" PLN
5	2	8041883	BUSHING BRONZE 1.25"X1.00"X0.63" FLG
6	2	8041986	GLIDE SHEET
7	16	U030015	SCREW SFH 1/4-20 X .750
8	8	W000050	ROLLER
9	8	U210160	WASHER LOCK 3/4"
10	8	U100200	NUT HEX 3/4"-10
11	12	U000440	SCREW HC 3/8-16 X 1.25
12	2	U200600	WASHER FLAT 3/8"
13	1	8041956	CYLINDER RETAINER
14	2	U210060	WASHER LOCK 3/8"
15	2	U100060	NUT HEX 3/8-16
16	1	T500100	GREASE FITTING
17	2	U000635	SCREW HC .375-16X6.50
18	2	U200600	WASHER FLAT 3/8"
19	2	8030226	WHEEL
20	2	U200100	WASHER FLAT 1/2"
21	2	U200600	WASHER FLAT 3/8"
22	2	U120110	NUT LOCK 3/8-16

# Extension Arm

# Boom



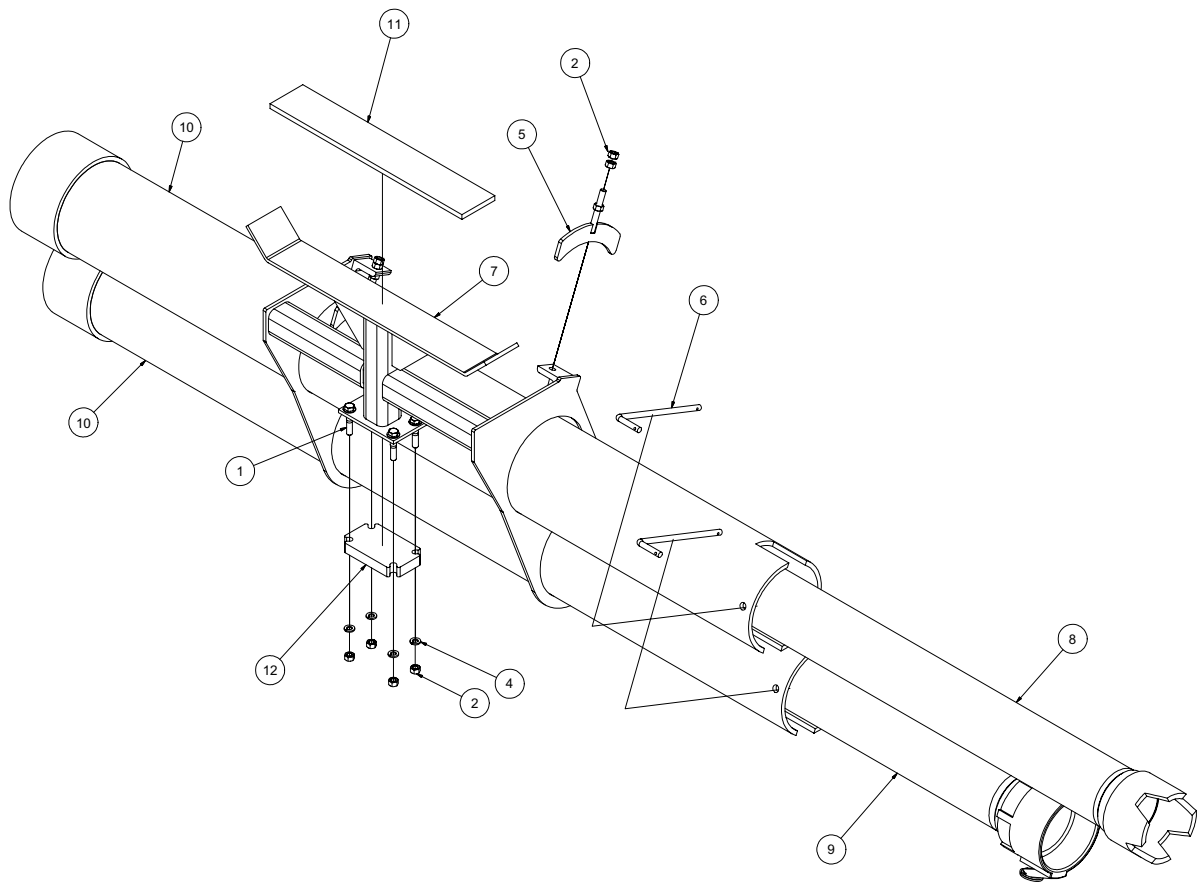
# Extension Arm

# Boom

ITEM	QTY	NUMBER	DESCRIPTION
1	1	8030846	4" FEMALE COUPLER
2	1	8030560	4" HOSE ADAPTER
3	2	8041752	SPIRAL CLAMP 4" HOSE
4	1	8042079	INLET HOSE
5	1	8041960	EXTENSIONARM
6	4	8041947	PACKING RING
7	3	8041945	PLASTIC SLEEVE
8	1	8041963	PACKING GLAND
9	2	U001020	SCREW HC 1/2-13 X 5.50
	2	U200100	WASHER FLAT 1/2"
	2	U210100	WASHER LOCK 1/2"
	2	U100120	NUT HEX 1/2-13
10	1	8042160	4" PVC TUBE X 60" LONG
11	1	8041937	4" PVC FLANGE
12	2	8041938	GASKET
13	8	U001250	SCREW HC 5/8-11 X 3.00
	8	U200140	WASHER FLAT 5/8"
	8	U210140	WASHER LOCK 5/8"
	8	U100180	NUT HEX 5/8-11

# Cradle and Hose Storage

# Boom



# Cradle and Hose Storage

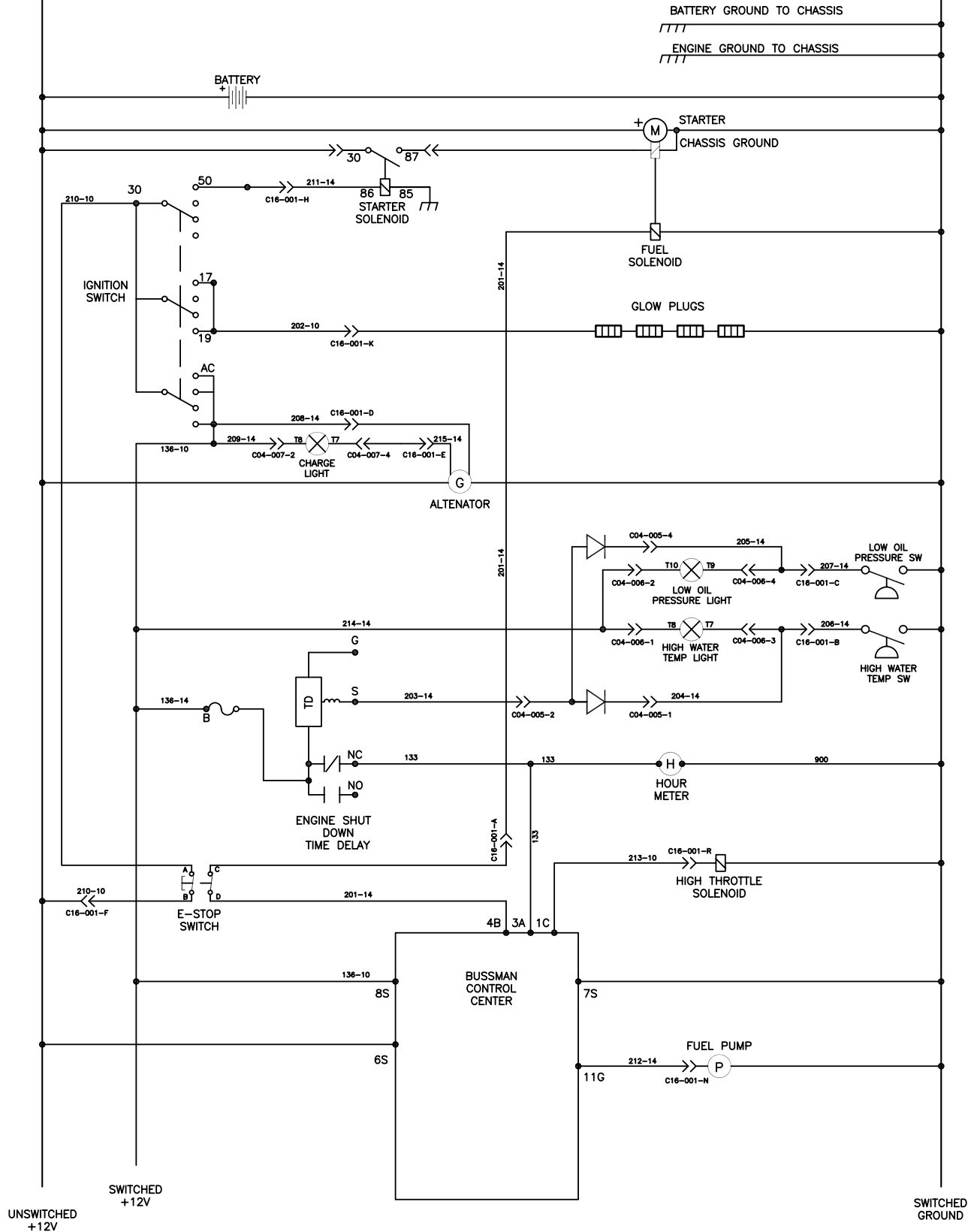
# Boom

ITEM	QTY	NUMBER	DESCRIPTION
1	4	U005000	SCREW 3/8-16 X 2.00
2	16	U100060	NUT HEX 3/8-16
3	4	U200600	WASHER FLAT 3/8"
4	4	U210060	WASHER LOCK 3/8"
5	4	8040959	HOSE STORAGE CLAMP
6	2	8041101	HOSE STORAGE RETAINER PIN
	2	R700160	R CLIP
	2	8041485	LANYARD CABLE
7	1	8042009	BOOM CRADLE
8	1	8042137	BOOM HOSE EXTENSION (5FT)
9	1	8042138	BOOM HOSE EXTENSION WITH CROWN (5FT)
10	2	8042249	HOSE STORAGE TUBE
11	1	8042358	BOOM CRADLE RUBBER PAD
12	1	8042378	BOOM CRADLE SPACER

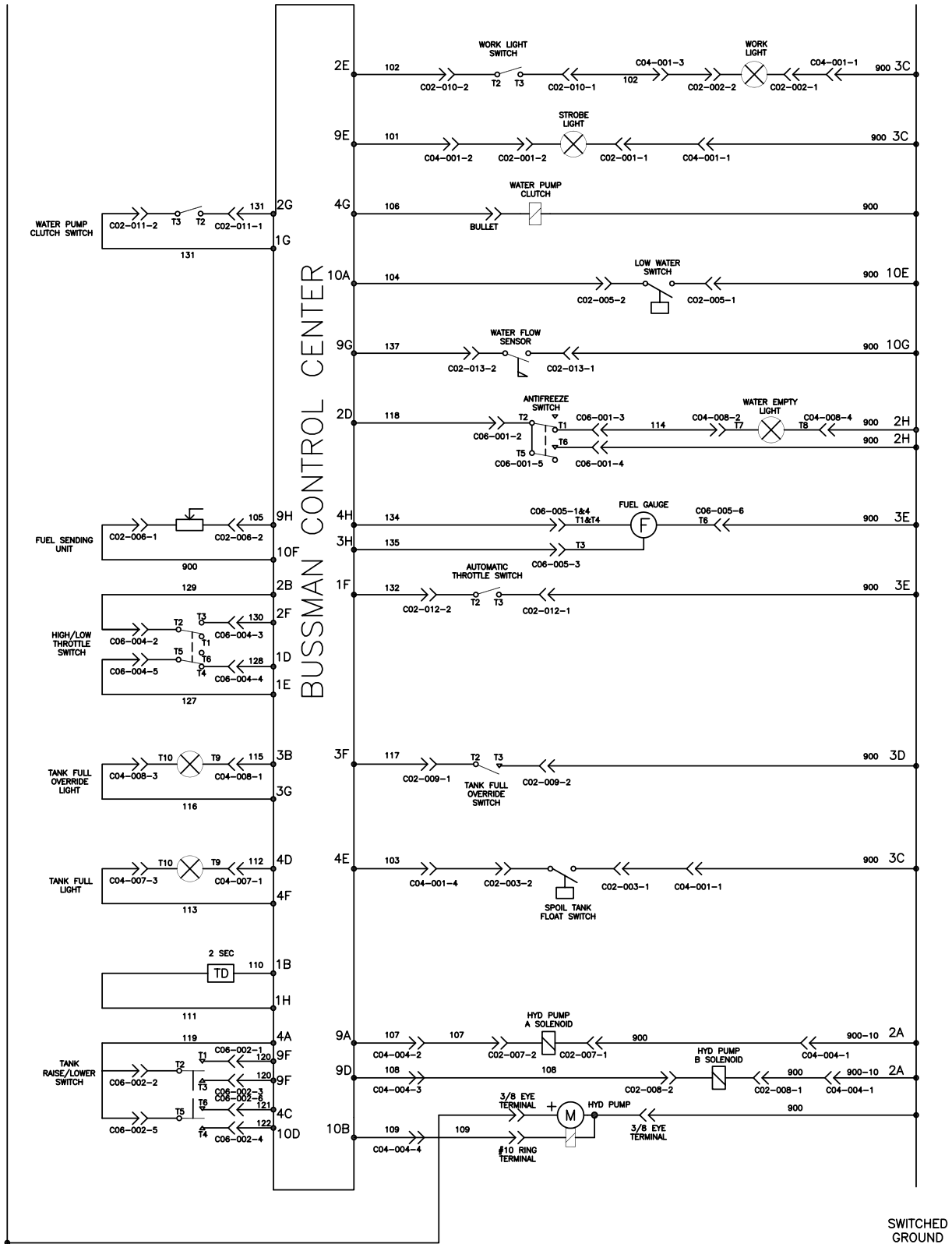
# VACUUM DIESEL ENGINE SCHEMATIC

UNSWITCHED  
+12V

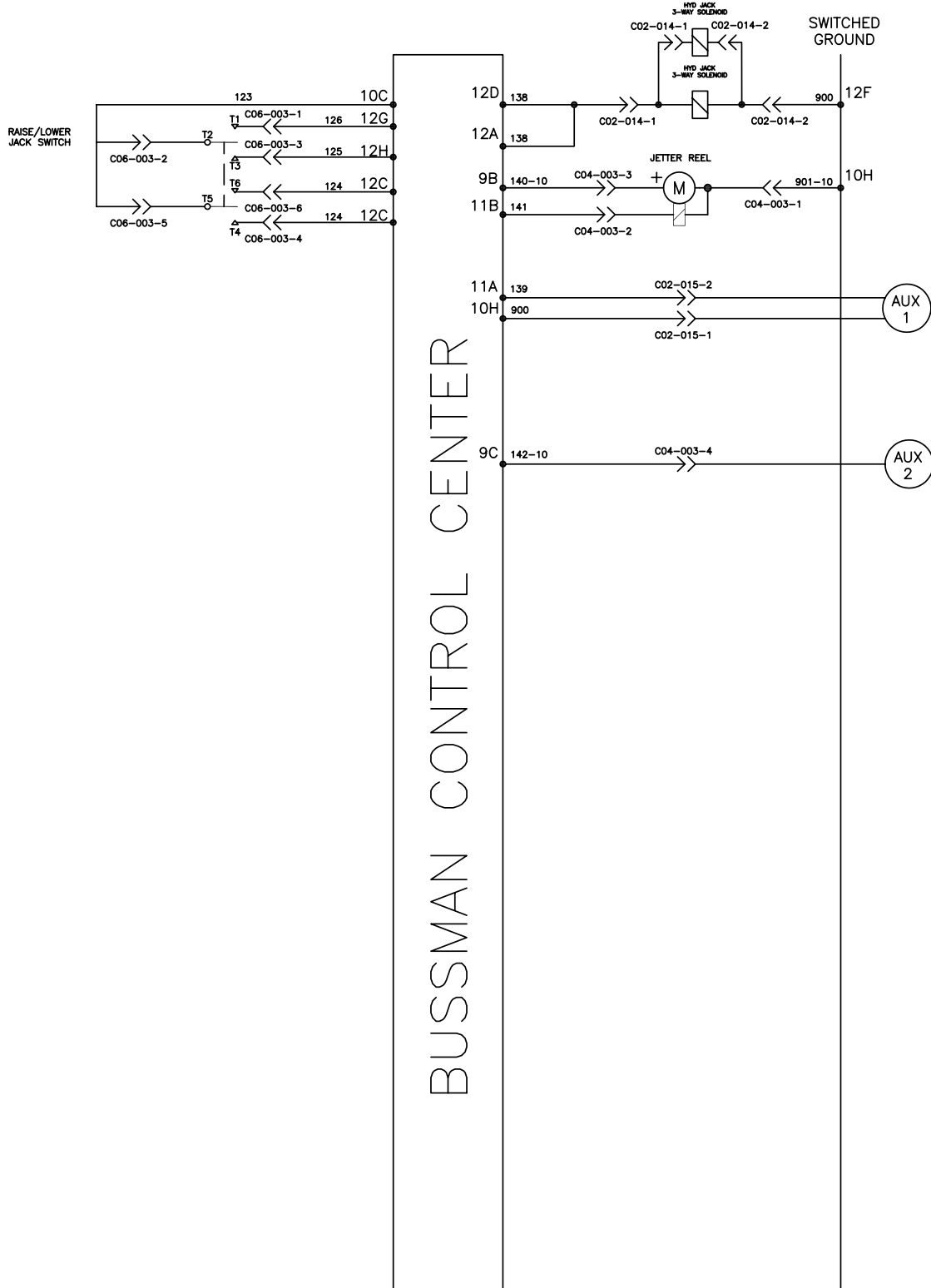
SWITCHED  
GROUND



# BUSSMAN CONTROL CENTER STANDARD DIESEL

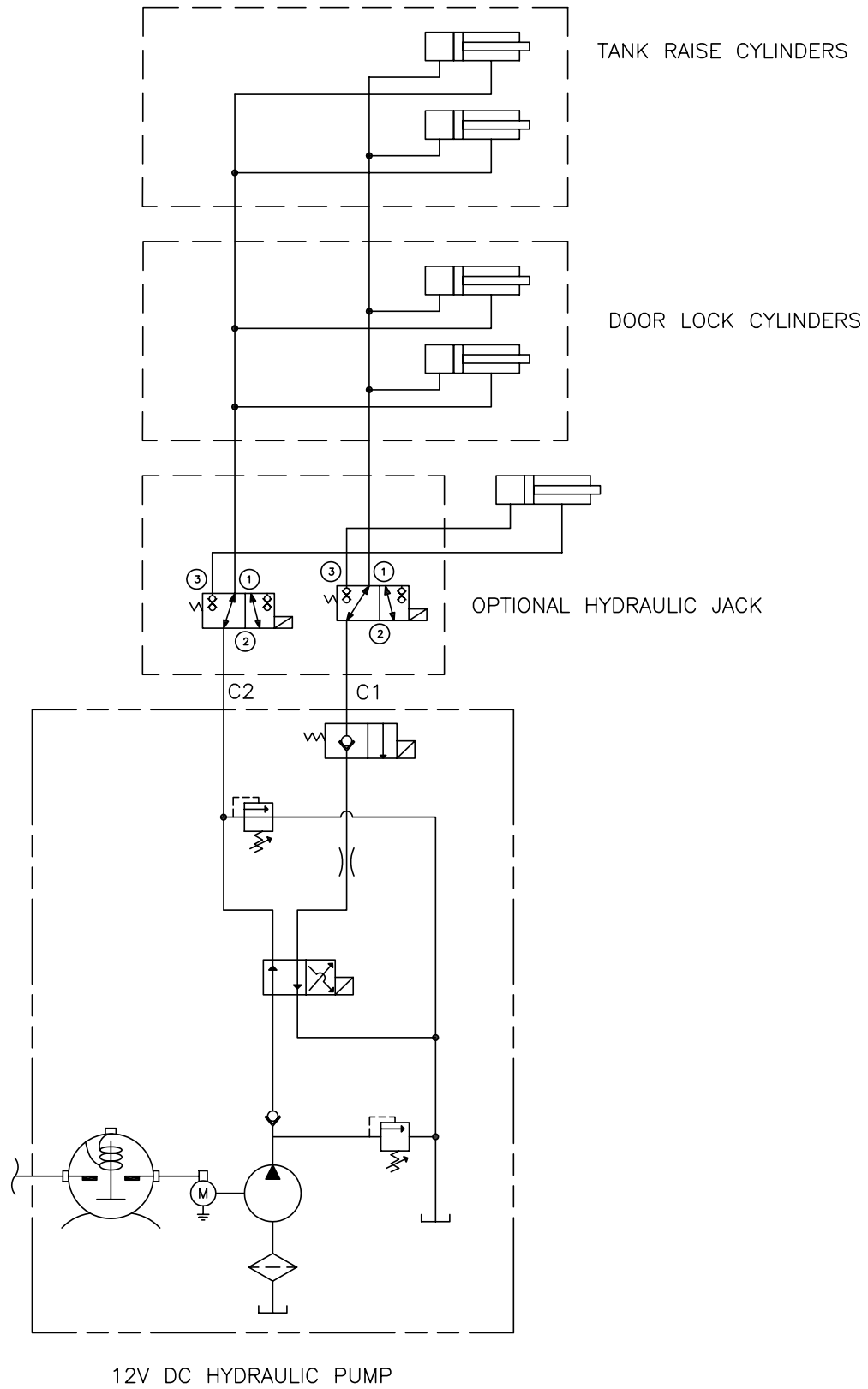


# BUSSMAN CONTROL CENTER OPTIONS





# HYDRAULIC OPTION SCHEMATICS



**PAGE LEFT BLANK**

# WARRANTY RETURN GOODS POLICY

## LIMITED WARRANTY

The Manufacturer warrants its products to be free from defects in material and workmanship for a period of twelve months from the date of shipment from the factory. The Manufacturer shall not be responsible for any damage resulting to or caused by its products by reason of installation, improper storage, unauthorized service, alteration of the products, neglect or abuse, or use of the product in a manner inconsistent with its design. The warranty does not extend to any component parts not manufactured by Manufacturer; however, Manufacturer's warranty herein shall not limit any warranties made by manufacturers of component parts which extend to Buyer.

Claims for defects in material and workmanship shall be made in writing to Manufacturer within ten days of discovery of defect. Manufacturer may either send a service representative or have the product returned to its factory at Buyer's expense for inspection. Upon notification of defect, Manufacturer will issue a return goods authorization number to Buyer. The return goods authorization number must accompany the product returned. If judged by the Manufacturer to be defective in material or workmanship, the product will be replaced or repaired at the option of the Manufacturer, free from all charges except authorized transportation. Buyer shall be responsible for all maintenance services consisting of lubrication and cleaning of equipment, replacing expandable parts, making minor adjustments, and performing operating checks, all in accordance with procedures outlined in Manufacturer's maintenance literature.

THE FOREGOING WARRANTY IS IN LIEU OF ALL OTHER WARRANTIES AND NO REPRESENTATIONS, GUARANTEES, OR WARRANTIES, EXPRESS OR IMPLIED, (INCLUDING BUT NOT LIMITED TO A WARRANTY OF MERCHANTABILITY OR FITNESS FOR A PARTICULAR PURPOSE), ARE MADE BY THE MANUFACTURER IN CONNECTION WITH THE MANUFACTURE OR SALE OF ITS PRODUCTS. NO EMPLOYEE, DISTRIBUTOR, OR REPRESENTATIVE IS AUTHORIZED TO CHANGE THIS WARRANTY ON BEHALF OF MANUFACTURER. THE REMEDIES OF BUYER SET FORTH HEREIN ARE EXCLUSIVE AND ARE IN LIEU OF ALL OTHER REMEDIES. THE LIABILITY OF MANUFACTURER WHETHER IN CONTRACT, TORT, UNDER ANY WARRANTY, OR OTHERWISE SHALL NOT EXTEND BEYOND ITS OBLIGATION TO REPAIR OR REPLACE, AT ITS OPTION ANY PRODUCT OR PART FOUND BY MANUFACTURER TO BE DEFECTIVE IN MATERIAL OR WORKMANSHIP. MANUFACTURER SHALL NOT BE LIABLE FOR COST OF INSTALLATION AND/OR REMOVAL OR BE RESPONSIBLE FOR DIRECT, INDIRECT, SPECIAL OR CONSEQUENTIAL DAMAGES OF ANY NATURE.

## GENERAL RETURNS OF MERCHANDISE

1. All returns must be pre-authorized
  - A. Please call our parts department for an RGA number
  - B. Please include RGA number on the outside of box
  - C. Include any required paper work or special instructions
  - D. Items returned without an RGA number will not be accepted
2. All returns are subject to a 20% restock charge.
3. Special items are non-returnable
  - A. Non-stock parts
  - B. Custom parts
  - C. If you are unsure about a parts status when ordering, ask your McLaughlin representative if the item fits on of the above conditions.
4. Items must be returned within thirty days of original order date.
5. Items not returned within 30 days from the date of RGA is issued will not be accepted.
6. The item(s) must be in new condition. Used item(s) are not returnable.



# Notes

A large rectangular box containing 30 horizontal lines, intended for writing notes.