

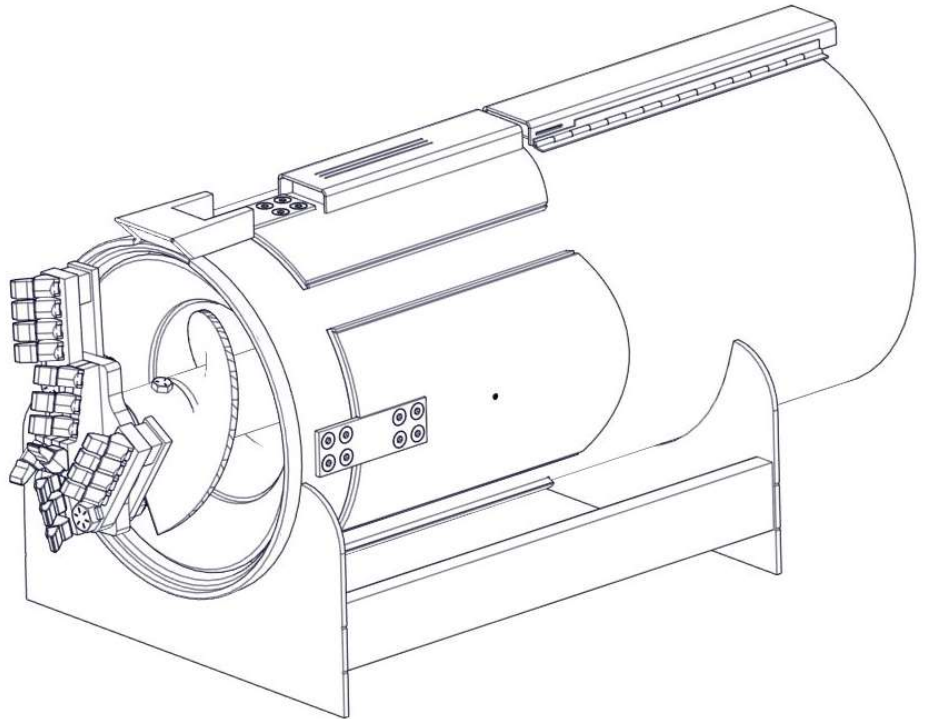


McLAUGHLIN[®]
BORING SYSTEMS

MODEL: 30"
ON-TARGET STEERING HEAD
PARTS MANUAL

For Machine Serial No.
OTS30200065 and Later

PART NO. C502314



Repair Manual Part No.:
E851104

Machine Serial # _____

Purchased &
Served Thru:

Purchase Date: _____

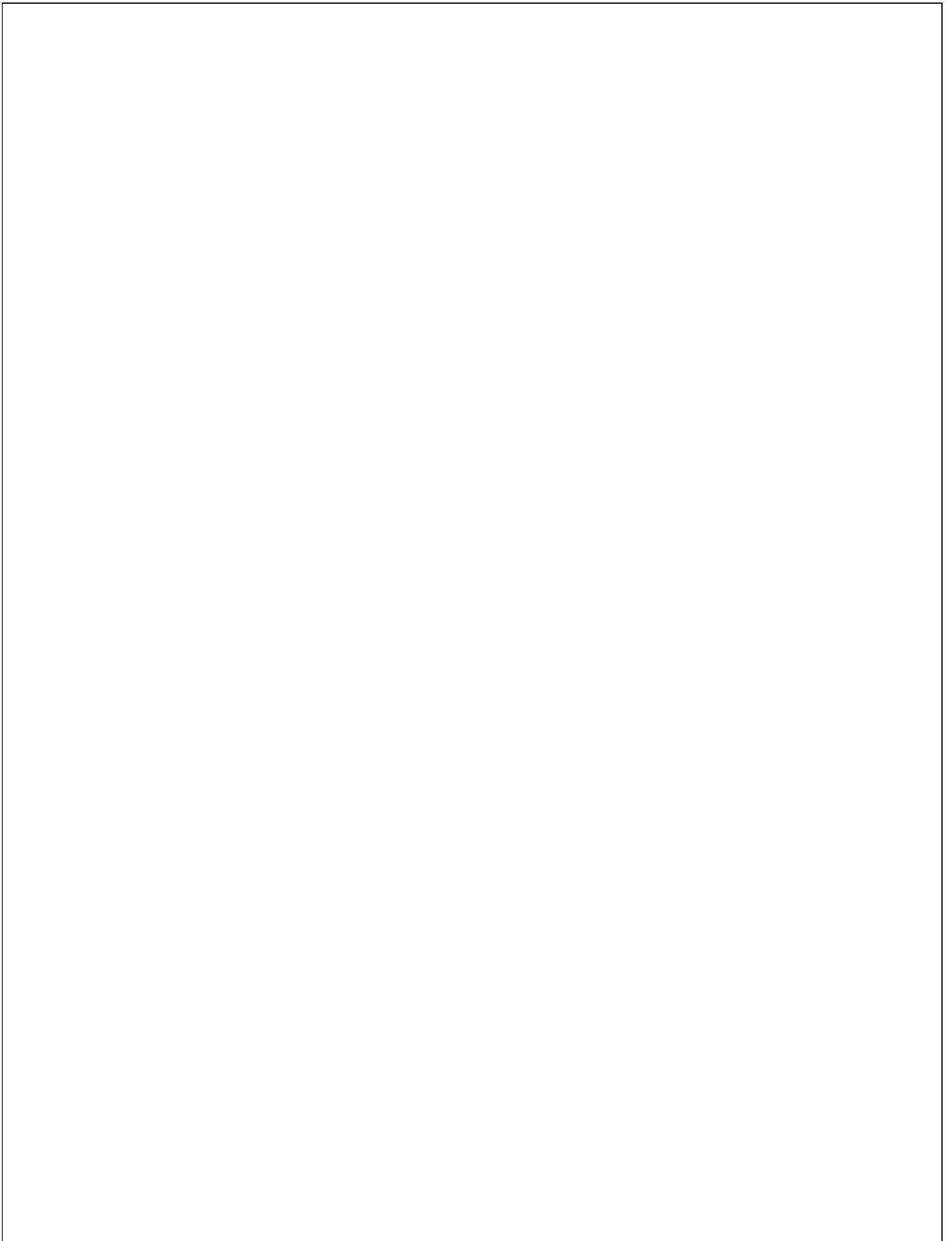


TABLE OF CONTENTS

Decal Placement	Section 1
Steering Head Complete Assembly	Section 2
Cutting Head Assembly	Section 3
Hydraulic (Hoses & Fittings)	Section 4
Wiring Schematic	Section 5
Warranty Statement & Return Goods Policy	Section 6

PAGE LEFT BLANK

Decal Layout

30" OTS



⚠ DANGER

ENTANGLEMENT HAZARD

Rotating auger and cutting head will cause death or serious injury.
Stay away.
Do not wear loose clothing.

Revised No. J000100

J000100



⚠ WARNING

Pinch point.
Serious injury may result.
Keep hands clear when closing door or lowering tank.

J200455

J200455



⚠ DANGER

ENTANGLEMENT HAZARD

Rotating auger and cutting head will cause death or serious injury.
Stay away.
Do not wear loose clothing.

Revised No. J000100

J000100

Decal Layout

30" OTS



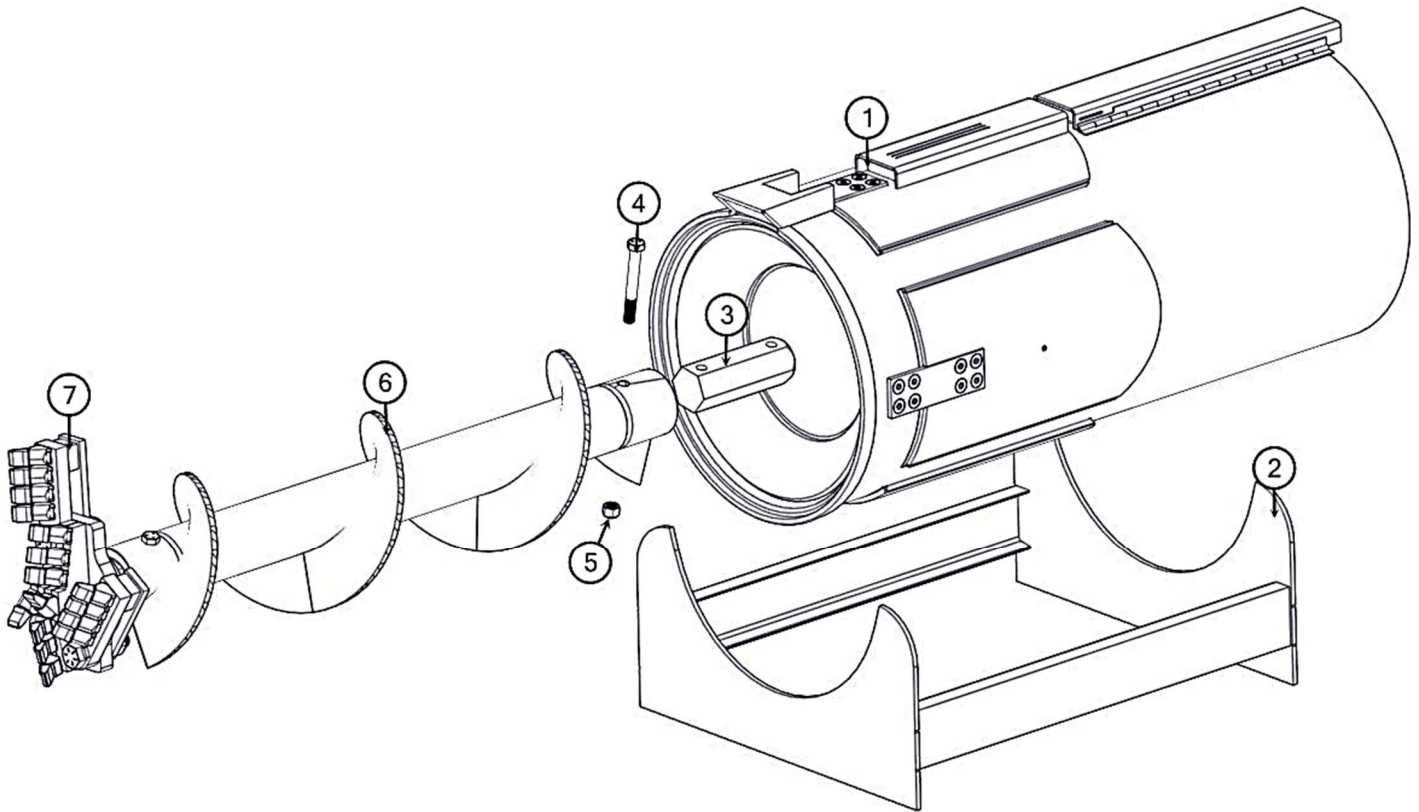
J200210



J200455

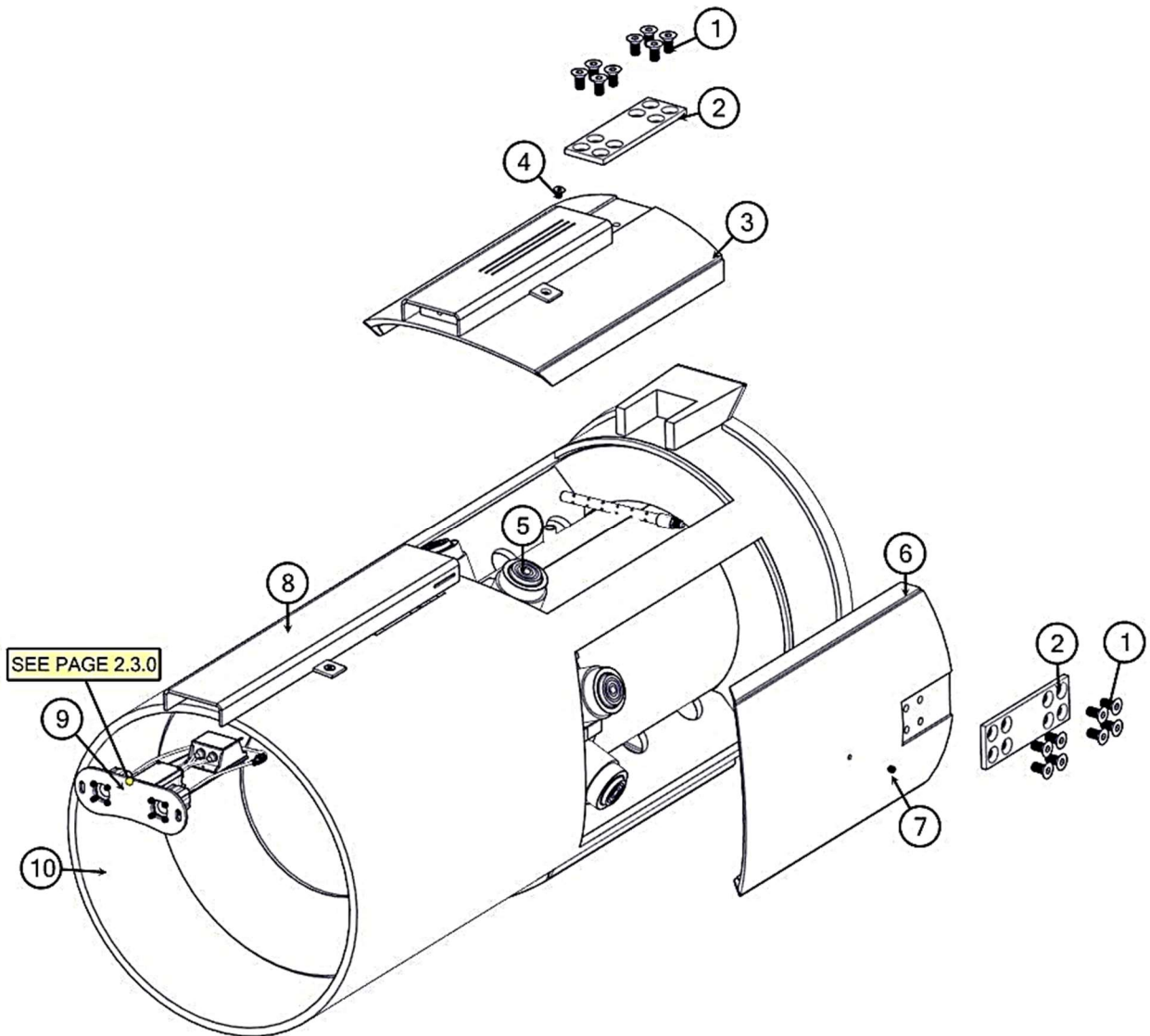
Steering Head Complete

30"OTS



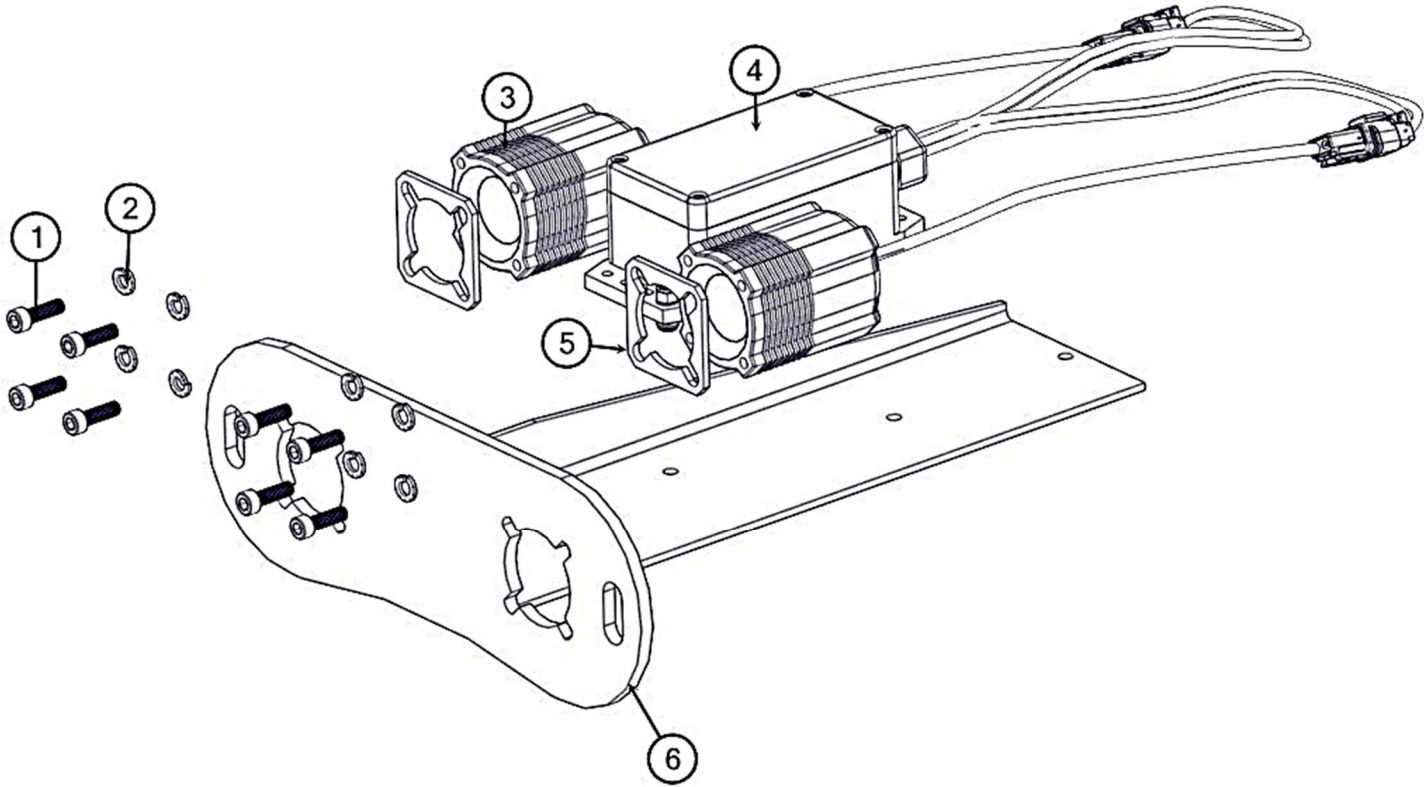
BOM ID	Qty	Name
1	1	C502386 ASSEMBLY,30" STEERING HEAD
2	1	C502298 SHIPPING SKID, OTS
3	1	R500175 SHANK, REPAIR 4" HEX
4	2	U001589 SCREW, HC 1-8 X 8.0 GR 5
5	2	U120060 NUT, LOCK 1.00-8 NY ZP G2
6	1	C502400 AUGER WELDMENT 30" OTS
7	1	C501670 CUTTING HEAD ASSEMBLY, 30" OTS

Steering Head 30" OTS



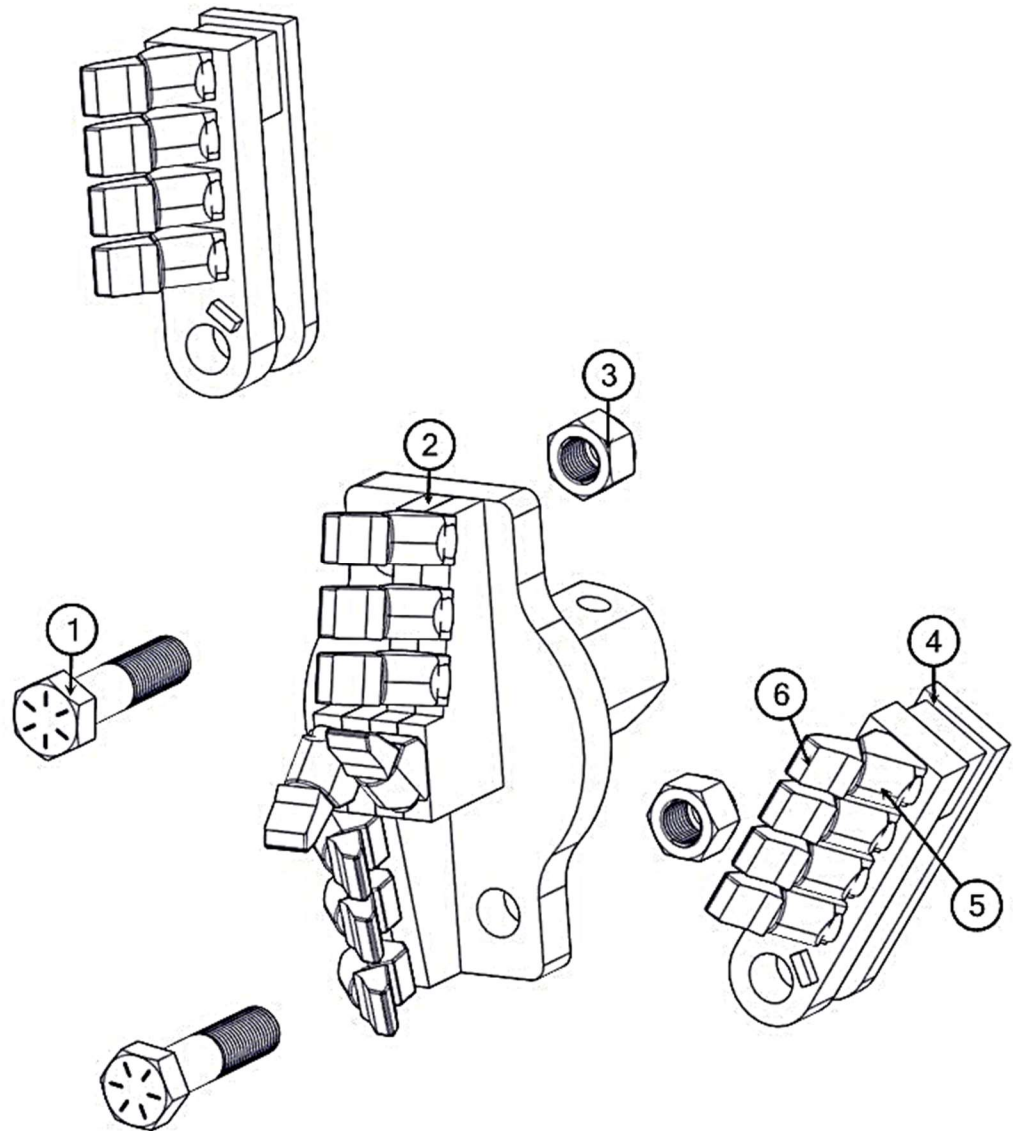
BOM ID	Qty	Name
1	32	U030168 SCREW, SFH .750-10 X 1.50" SRS
2	4	C502318 HINGE, 1/2" 30"-60" OTS
3	1	C502316 30" OTS TOP DOOR WELDMENT
4	2	C501476 SCREW, SFH .500-13 X .750
5	8	C501001 CYLINDER, HYD, 30T STR HEAD
6	3	C502315 30" BASE DOOR WELDMENT
7	4	U024039 SCREW, SET .500-13 X .50 KN NYLOC
8	1	C502405 INSPECTION COVER WELDMENT
9	1	C502275 WELDMENT, PITCH SENSOR TRAY
10	1	C502401 30" OTS STEERING HEAD BODY

Steering Head Lights OTS



BOM ID	Qty	Name
1	8	U010287 SCREW, HSH 6MM X1.0 X 20MM G12.9
2	8	U210053 WASHER LOCK 6MM ZP
3	1	C501980 LIGHT ASSY, SQ STYLE 2X LIGHTS W/ HARNESS
4	1	C502355 LIGHT WIRING BOX
5	2	C502447 ISOLATOR, LIGHT, SQUARE OTS
6	1	C502275 WELDMENT, PITCH SENSOR TRAY

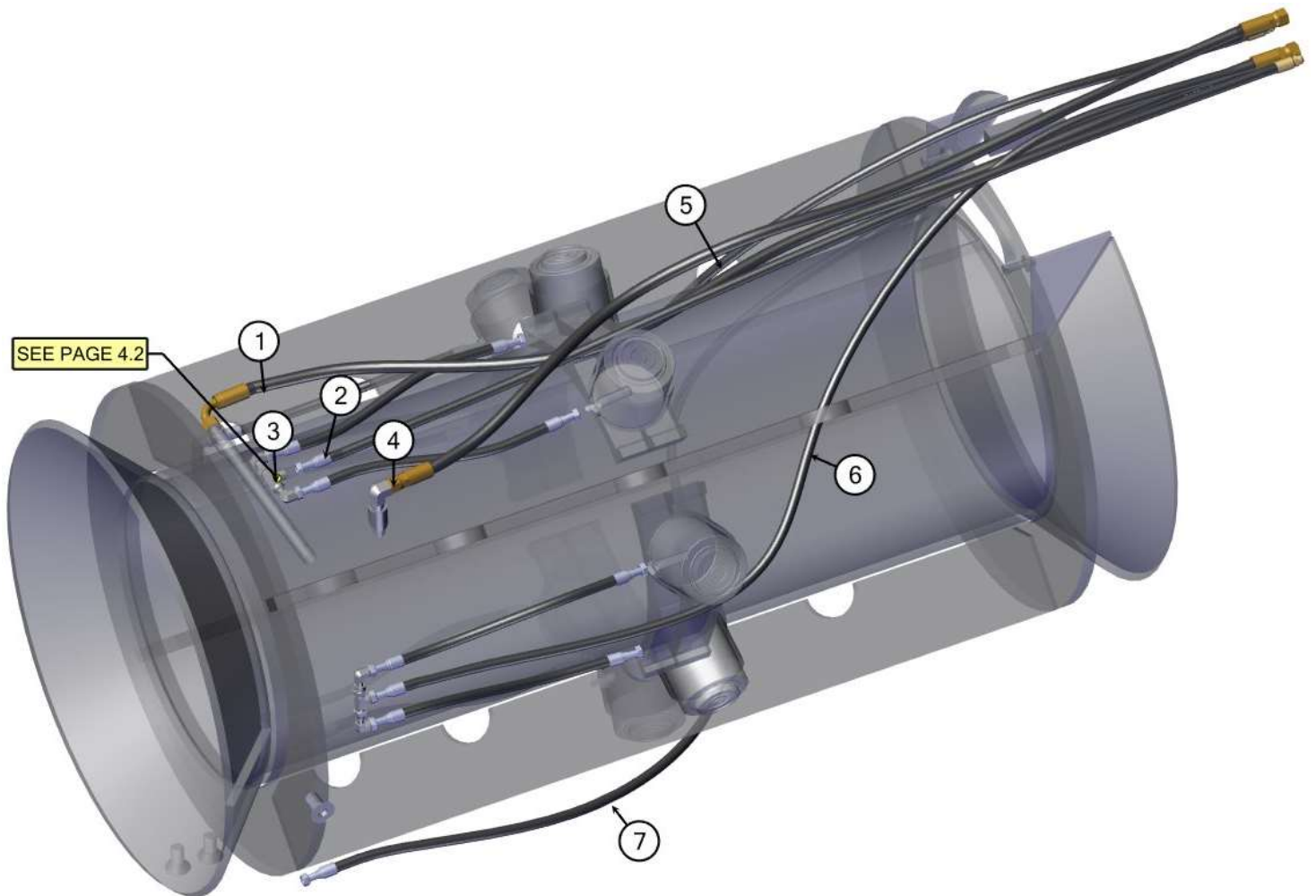
Steering Head Cutting Head (30") OTS



BOM ID	Qty	Name
1	2	U001599 SCREW, HC 1.500-6 X 6.00LG GR8
2	1	C501671 CUTTING HEAD BODY ASSY 30" OTS
3	2	U100261 NUT, HEX 1.500-6 NYLOOCK ZP GR2
4	2	C501660 WING CUTTER ASSEMBLY, 30 OTS
5	16	S600800 BIT BLOCK, NON-ROTATING
6	16	S600801 BIT,CARBIDE, NON-ROTATING

Steering Head

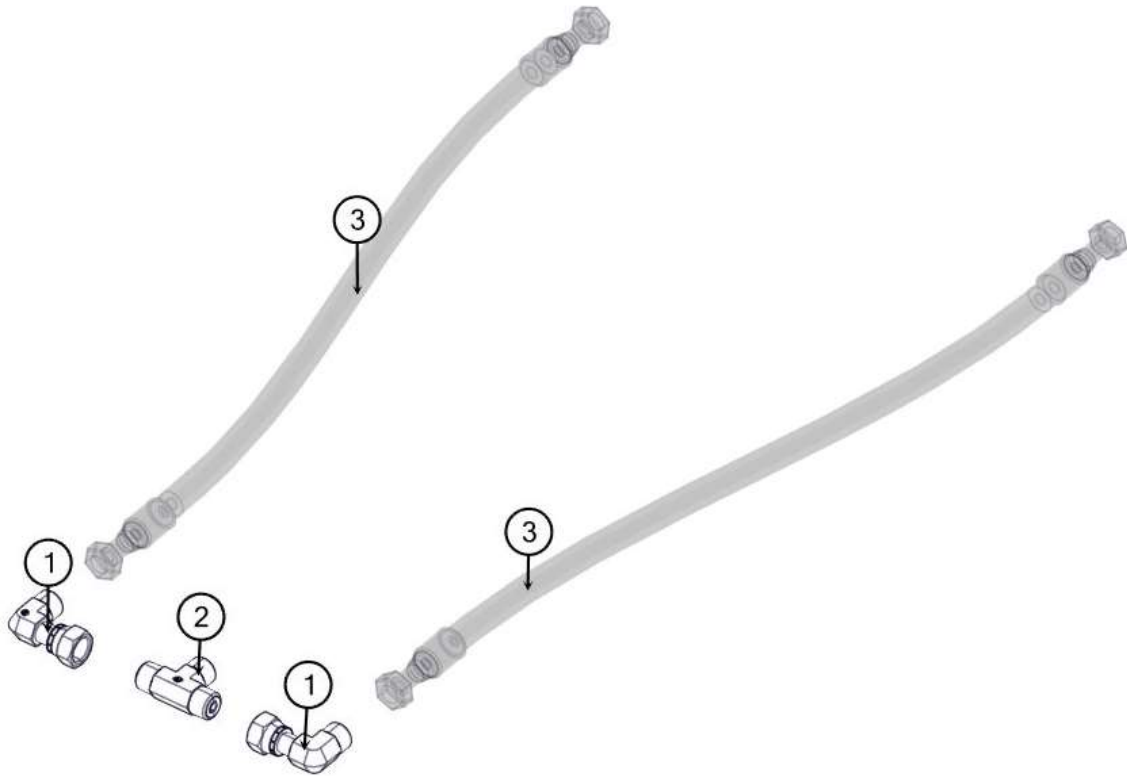
HYDRAULICS (Hoses & Fittings) (30" OTS)



BOM ID	Qty	Name
1	1	C502368 NOZZLE, HOSE ASSEMBLY
2	1	C502398 HOSE, WIRE BRAID ASSEMBLY TOP
3	4	C502388 ASSEMBLY, 30" OTS CYLINDER HYD.
4	1	C502369 AUGER WATER HOSE
5	1	C502394 HOSE ASSEMBLY, RL
6	1	C502394 HOSE ASSEMBLY, RL
7	1	C502396 HOSE, WIRE BRAID ASSEMBLY BOTTOM

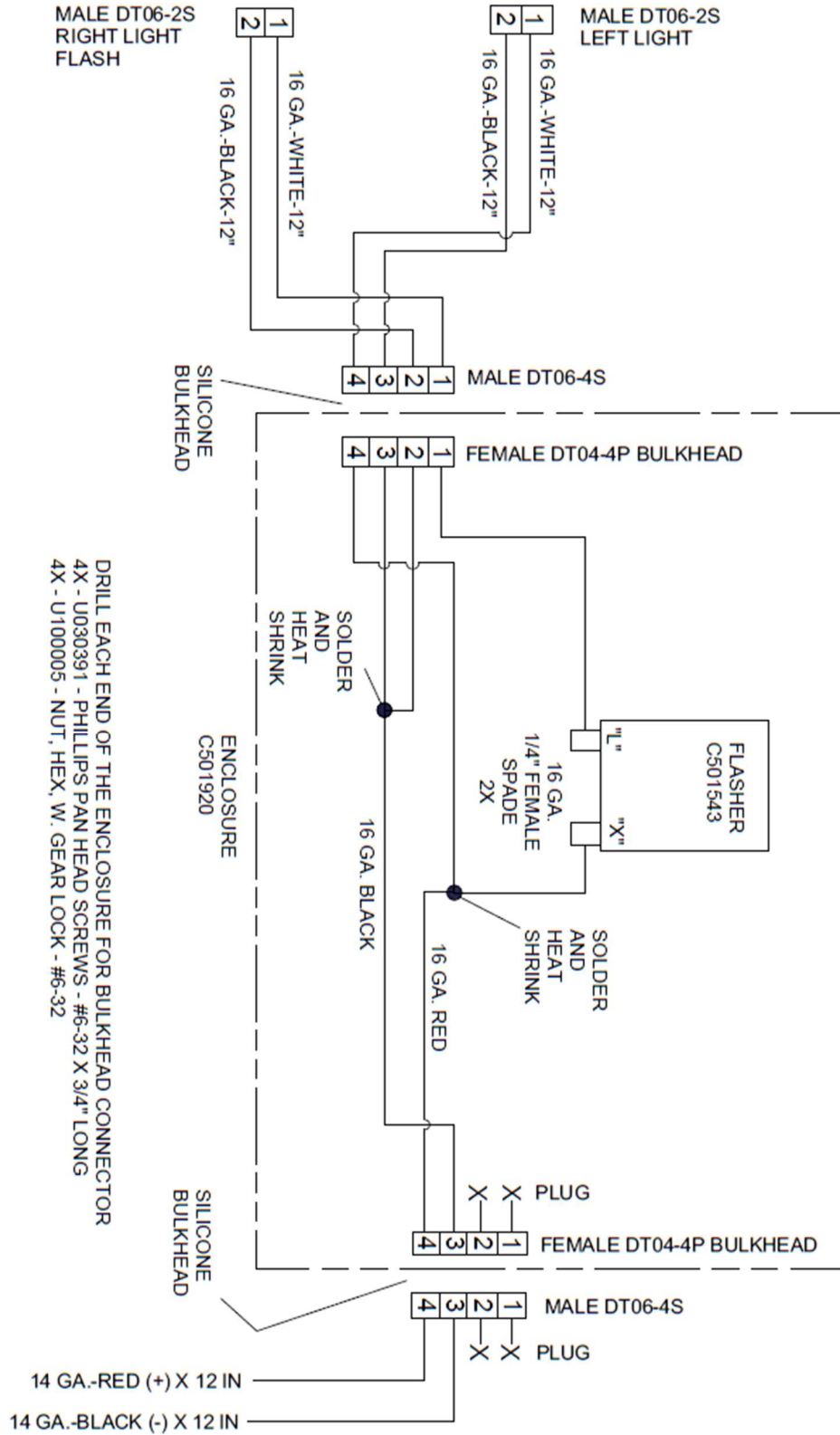
Steering Head

HYDRAULICS [Hoses & Fittings] (30"1 OTS



BOM ID	Qty	Name
1	2	T401061 ELBOW, 90 1/4"MP-1/4"FP SWIVEL
2	1	T402034 TEE, 1/4"MP-1/4"MP-1/4"MP
3	2	C502378 CYLINDER, HOSE ASSEMBLY 4 - 16" ST-ST

Steering Head Wiring Schematic [30"10TS



WARRANTY RETURN GOODS POLICY

LIMITED WARRANTY

The Manufacturer warrants its products to be free from defects in material and workmanship for a period of twelve months from the date of shipment from the factory. Hole Hammer pistons, bodies, and nose pieces are warranted to be free from defects in material and workmanship for a period of three years from the date of shipment from the factory. The Manufacturer shall not be responsible for any damage resulting to or caused by its products by reason of installation, improper storage, unauthorized service, alteration of the products, neglect or abuse, or use of the product in a manner inconsistent with its design. This warranty does not extend to any component parts not manufactured by Manufacturer; however, Manufacturer's warranty herein shall not limit any warranties made by manufacturers of component parts which extend to Buyer.

Claims for defects in material and workmanship shall be made in writing to Manufacturer within ten days of discovery of defect. Manufacturer may either send a service representative or have the product returned to its factory at Buyer's expense for inspection. Upon notification of defect, Manufacturer will issue a return goods authorization number to Buyer. The return goods authorization number must accompany the product returned. If judged by the Manufacturer to be defective in material or workmanship, the product will be replaced or repaired at the option of the manufacturer, free from all charges except authorized transportation. Buyer shall be responsible for all maintenance services consisting of lubrication and cleaning of equipment, replacing expandable parts, making minor adjustments, and performing operating checks, all in accordance with procedures outlined in Manufacturer's maintenance literature.

THE FOREGOING WARRANTY IS IN LIEU OF ALL OTHER WARRANTIES AND NO REPRESENTATIONS, GUARANTEES, OR WARRANTIES, EXPRESS OR IMPLIED, (INCLUDING BUT NOT LIMITED TO A WARRANTY OF MERCHANTABILITY OR FITNESS FOR A PARTICULAR PURPOSE), ARE MADE BY THE MANUFACTURER IN CONNECTION WITH THE MANUFACTURE OR SALE OF ITS PRODUCTS. NO EMPLOYEE, DISTRIBUTOR, OR REPRESENTATIVE IS AUTHORIZED TO CHANGE THIS WARRANTY ON BEHALF OF MANUFACTURER THE REMEDIES OF BUYER SET FORTH HEREIN ARE EXCLUSIVE AND ARE IN LIEU OF ALL OTHER REMEDIES. THE LIABILITY OF MANUFACTURER WHETHER IN CONTRACT, TORT, UNDER ANY WARRANTY, OR

OTHERWISE SHALL NOT EXTEND BEYOND ITS OBLIGATION TO REPAIR OR REPLACE, AT ITS OPTION ANY PRODUCT OR PART FOUND BY MANUFACTURER TO BE DEFECTIVE IN MATERIAL OR WORKMANSHIP. MANUFACTURER SHALL NOT BE LIABLE FOR COST OF INSTALLATION AND/OR REMOVAL OR BE RESPONSIBLE FOR DIRECT, INDIRECT, SPECIAL OR CONSEQUENTIAL DAMAGES OF ANY NATURE.

GENERAL RETURNS OF MERCHANDISE

1. All returns must be pre-authorized
 - A. Please call our parts department for an RGA number
 - B. Please include RGA number on the outside of box
 - C. Include any required paper work or special instructions
 - D. Items returned without an RGA number will not be accepted
2. All returns are subject to a 20% restock charge.
3. Special items are non-returnable
 - A. Non-stock parts
 - B. Custom parts
 - C. If you are unsure about a parts status when ordering, ask your McLaughlin representative if the item fits on of the above conditions.
4. Items must be returned within thirty days of original order date.
5. Items not returned within 30 days from the date of RGA is issued will not be accepted.
6. The item(s) must be in new condition. Used item(s) are not returnable.