

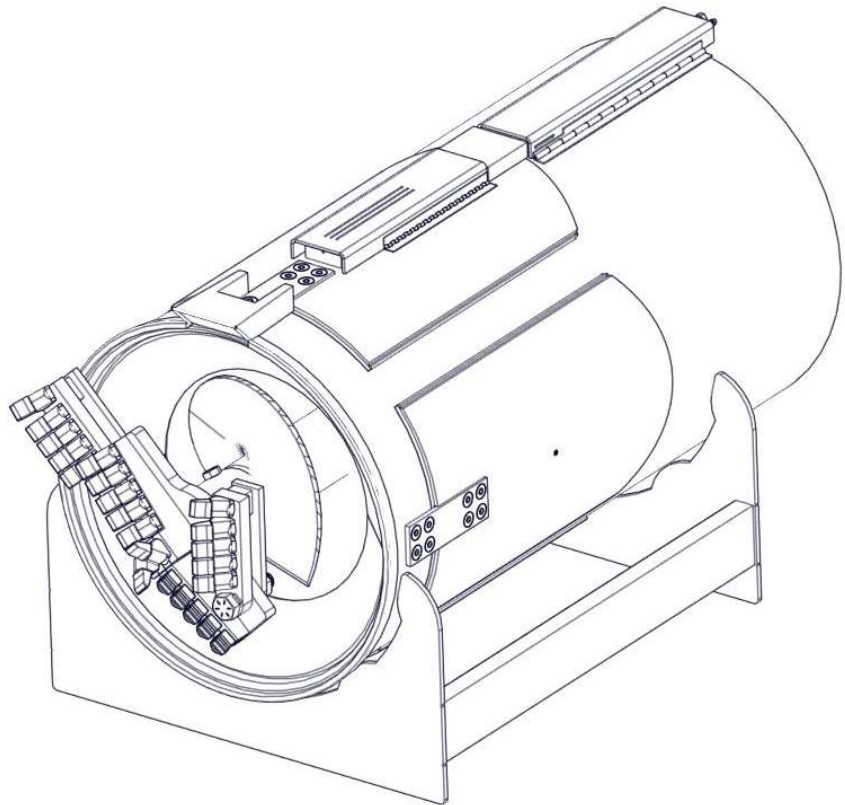


**McLAUGHLIN<sup>®</sup>**  
**BORING SYSTEMS**

**MODEL: 36"**  
**ON-TARGET STEERING HEAD**  
**PARTS MANUAL**

**For Machine Serial No.**  
**OTS3620066 and Later**

**PART NO. C502330**

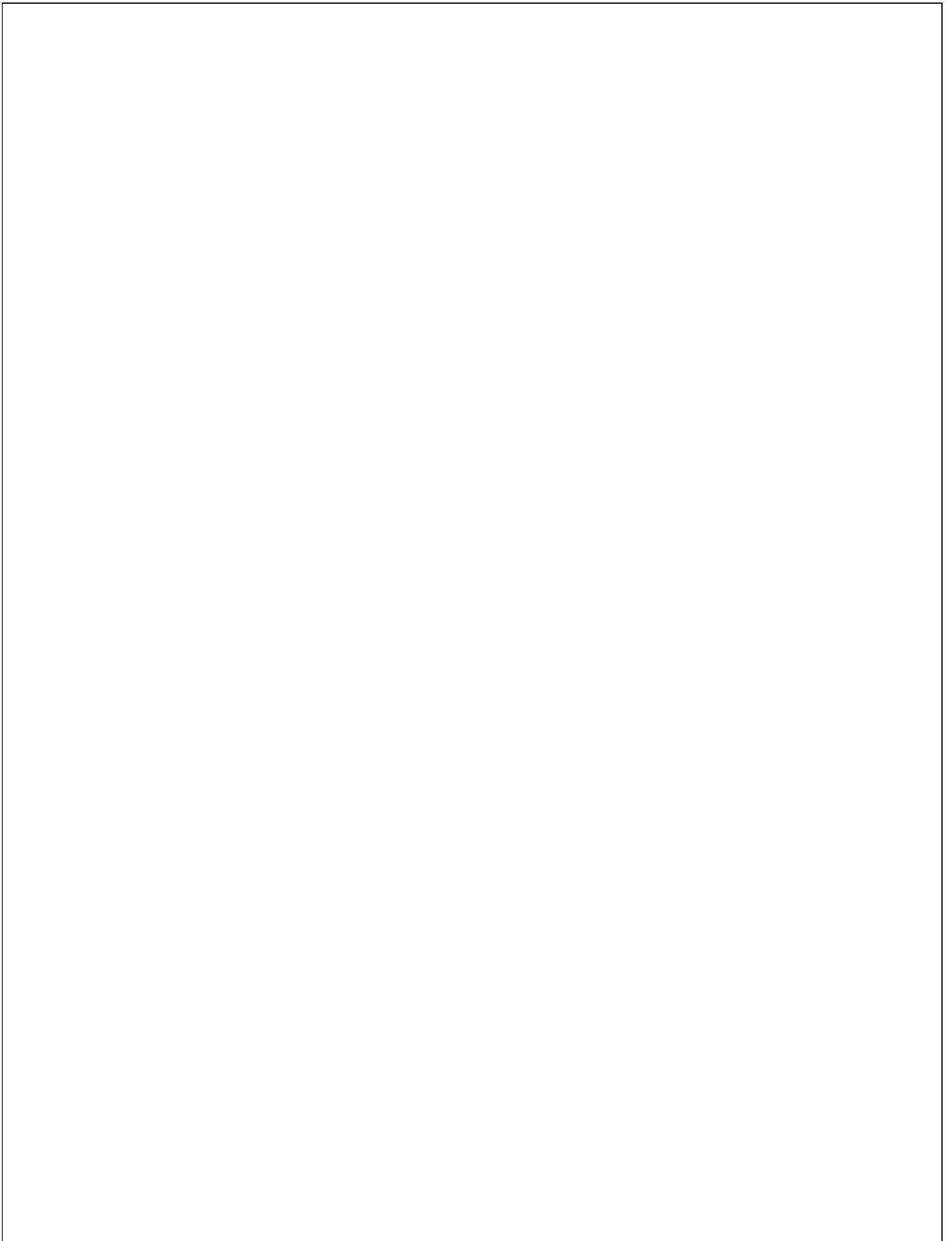


**Repair Manual Part No.:**  
**E851103**

Machine Serial # \_\_\_\_\_

Purchased &  
Serviced Thru:  
\_\_\_\_\_

Purchase Date: \_\_\_\_\_



# TABLE OF CONTENTS

Decal Placement .....	Section 1
Steering Head Complete Assembly .....	Section 2
Cutting Head Assembly .....	Section 3
Hydraulic (Hoses & Fittings) .....	Section 4
Wiring Schematic .....	Section 5
Warranty Statement & Return Goods Policy .....	Section 6

**PAGE LEFT BLANK**

# Decal Layout

## 36" OTS



**⚠ DANGER**

**ENTANGLEMENT HAZARD**

Rotating auger and cutting head will cause death or serious injury.  
Stay away.  
Do not wear loose clothing.

Revised No. J000100

J000100



**⚠ WARNING**

Pinch point.  
Serious injury may result.  
Keep hands clear when closing door or lowering tank.

J200455

J200455



**⚠ DANGER**

**ENTANGLEMENT HAZARD**

Rotating auger and cutting head will cause death or serious injury.  
Stay away.  
Do not wear loose clothing.

Revised No. J000100

J000100

# Decal Layout

## 36" OTS



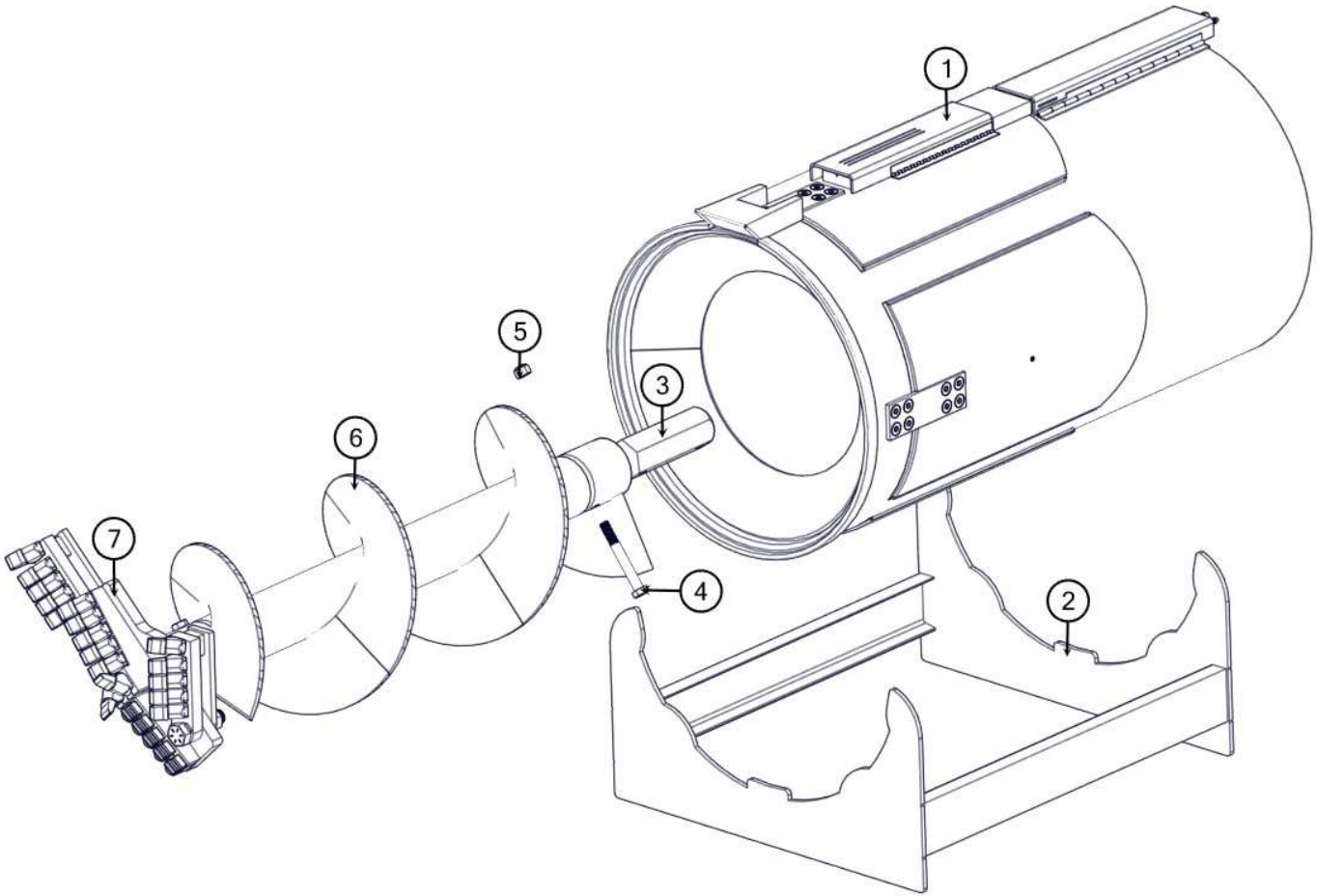
J200210



J200455

# Steering Head Complete

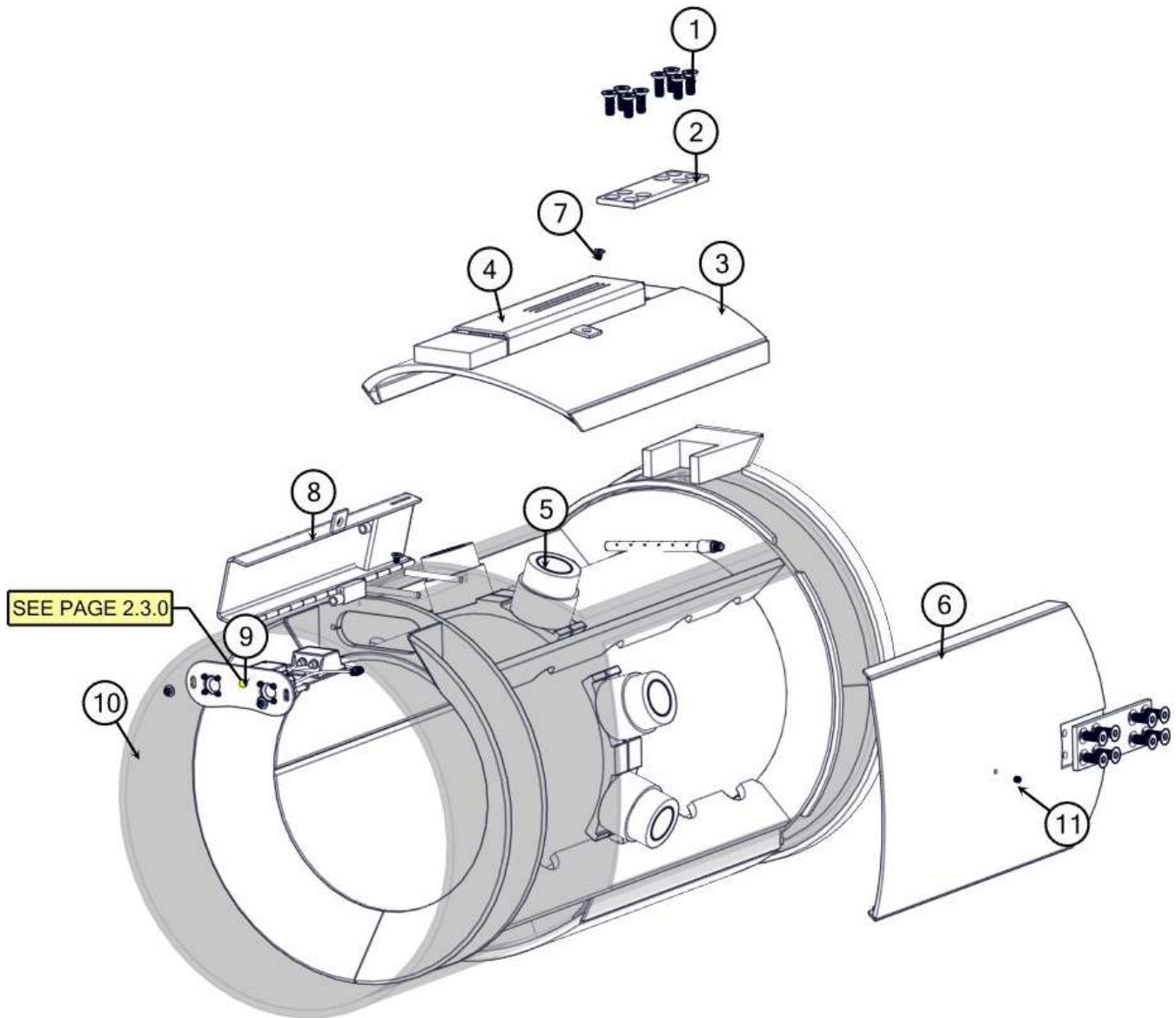
## 36"OTS



BOM ID	Qty	Name
1	1	C502331 ASSEMBLY, 36" STEERING HEAD SINGLE HINGED
2	1	C502344 STAND, STEERING HEAD 36"OTS
3	1	R500175 SHANK, REPAIR 4" HEX
4	2	U001589 SCREW, HC 1-8 X 8.0 GR 5
5	2	U120060 NUT, LOCK 1.00-8 NY ZP G2
6	1	C502363 AUGER WELDMENT 36" OTS
7	1	C501680 CUTTING HEAD ASSEMBLY, 36" OTS



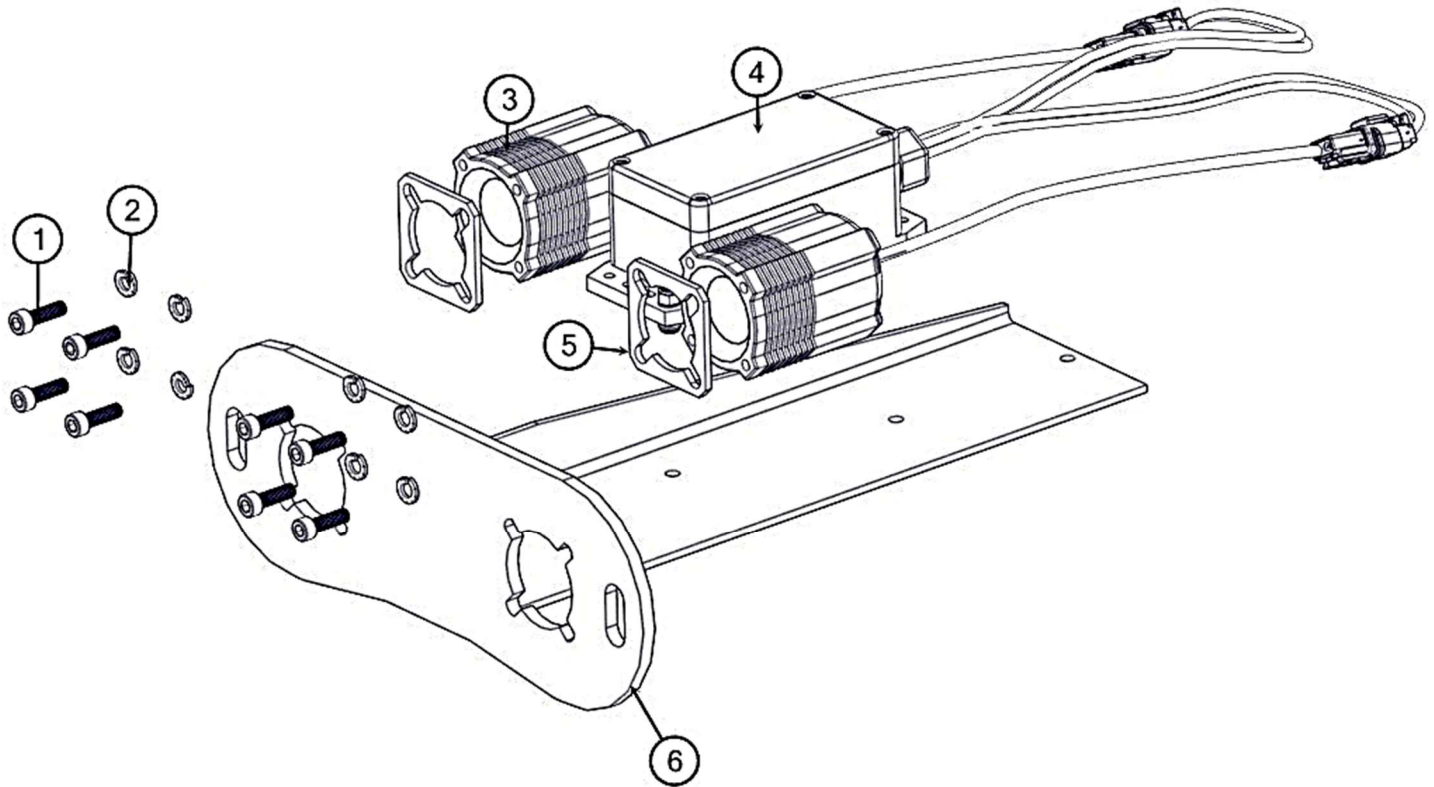
# Steering Head 36" OTS



BOM ID	Qty	Name
1	32	U030170 SCREW, SFH .750-10 X 2.00"
2	4	C502318 HINGE, 1/2" 30"-60" OTS
3	1	C502341 36" OTS TOP DOOR WELDMENT
4	1	C502205 WELDMENT, SONDE HOUSING 22"
5	8	C501381 CYLINDER, HYD, 50T STR HEAD
6	3	C502342 36" BASE DOOR WELDMENT
7	2	C501476 SCREW, SFH .500-13 X .750 OTS
8	1	C502349 INSPECTION COVER, 36' OTS
9	1	C502365 ASSEMBLY, PITCH INDICATOR
10	1	C502333 OUTER TUBE, 36" OTS
11	4	U024039 SCREW, SET .500-13X.50 KN, NYLOC

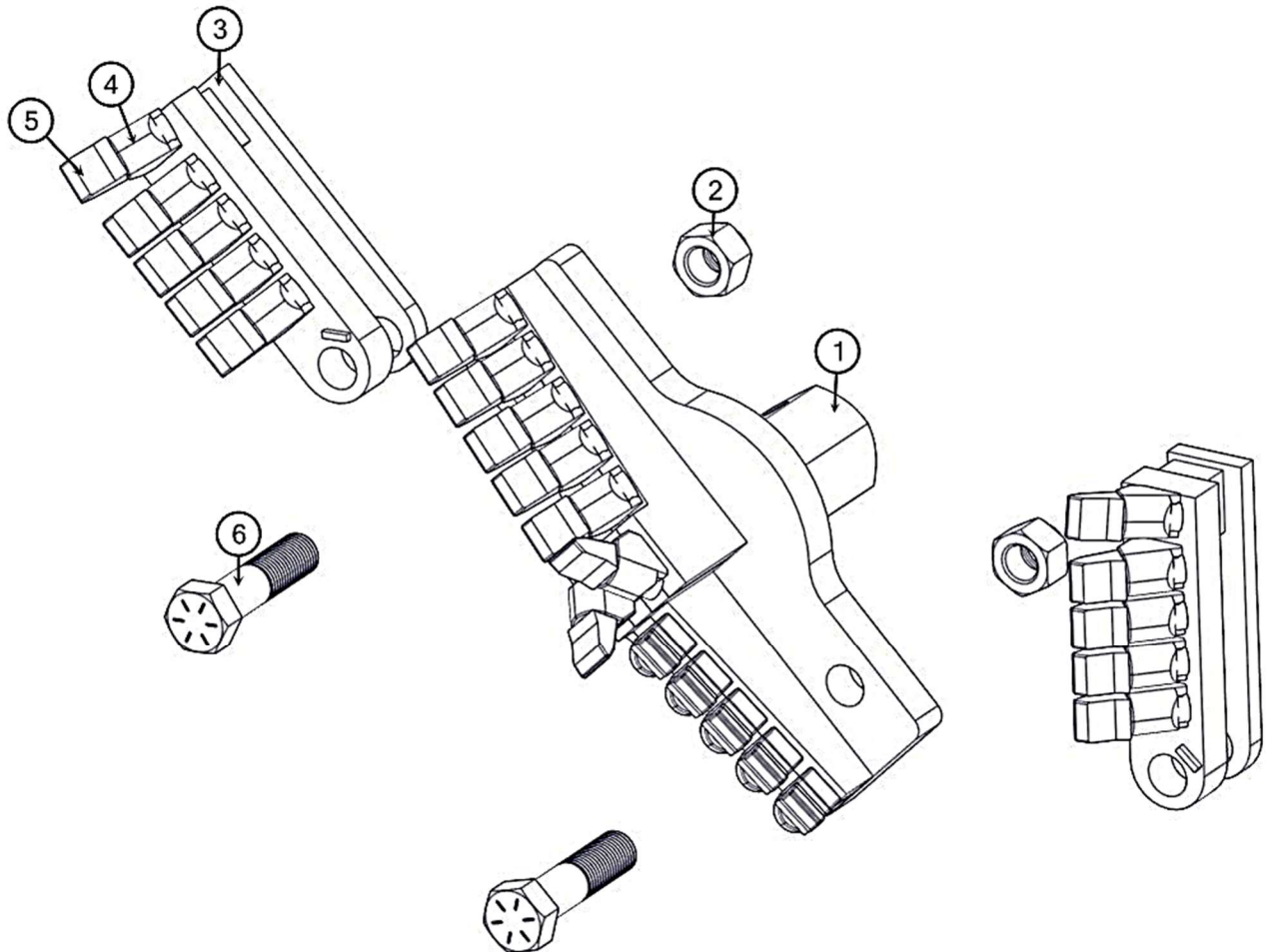


# Steering Head Lights (36") OTS



BOM ID	Qty	Name
1	8	U010287 SCREW, HSH 6MM X1.0 X 20MM G12.9
2	8	U210053 WASHER LOCK 6MM ZP
3	1	C501980 LIGHT ASSY, SQ STYLE 2X LIGHTS W/ HARNESS
4	1	C502355 LIGHT WIRING BOX
5	2	C502447 ISOLATOR, LIGHT, SQUARE OTS
6	1	C502275 WELDMENT, PITCH SENSOR TRAY

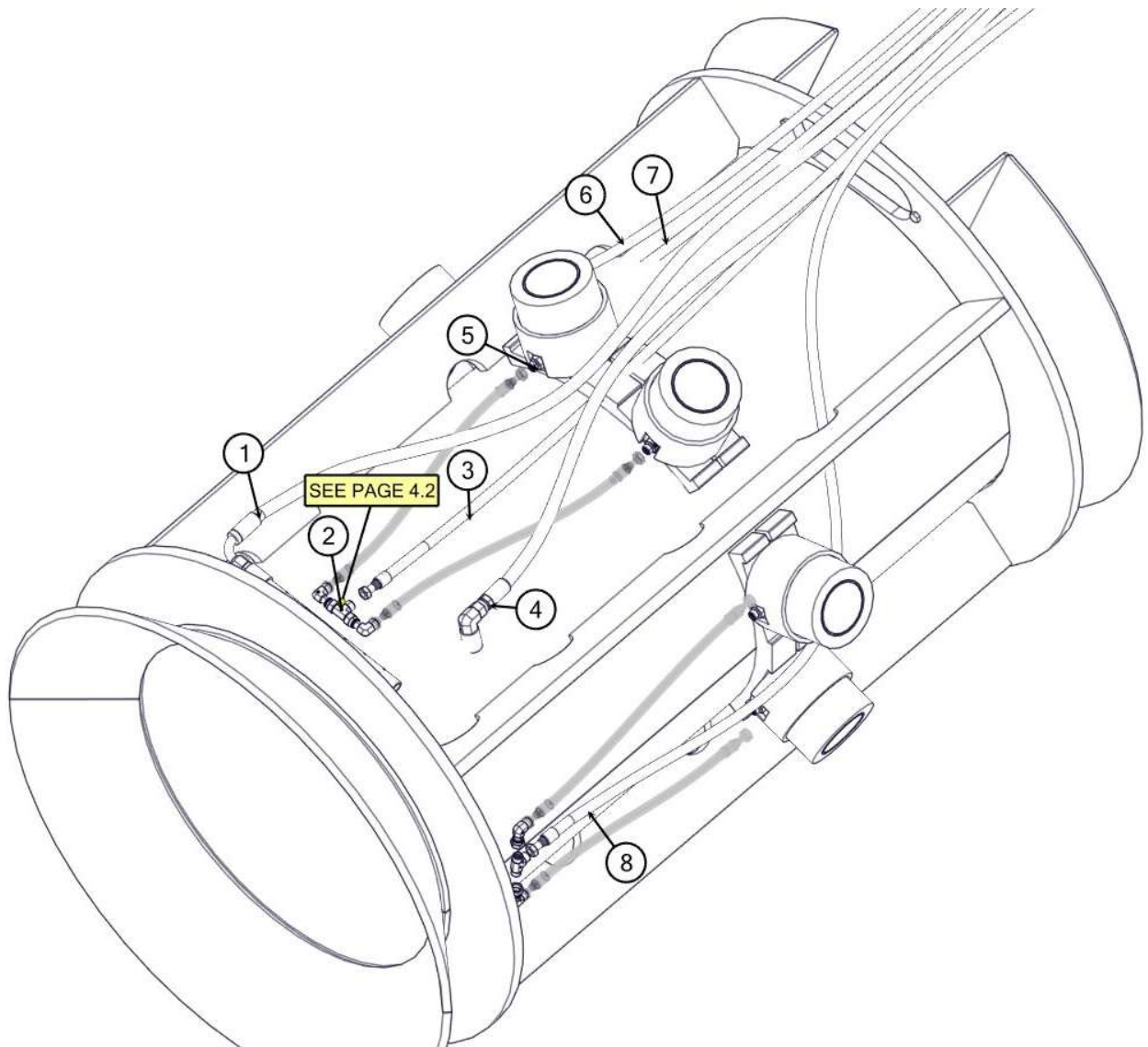
# Steering Head Cutting Head (36" I OTS)



BOM ID	Qty	Name
1	1	C501681 CUTTING HEAD BODY ASSY 36" OTS
2	2	U100260 NUT, HEX 1.500-6 ZP G2
3	2	C501296 WING CUTTER ASSY
4	22	S600800 BIT BLOCK, NON-ROTATING
5	22	S600801 BIT,CARBIDE, NON-ROTATING
6	2	U001599 SCREW, HC 1.500-6 X 6.00LG GR8

# Steering Head

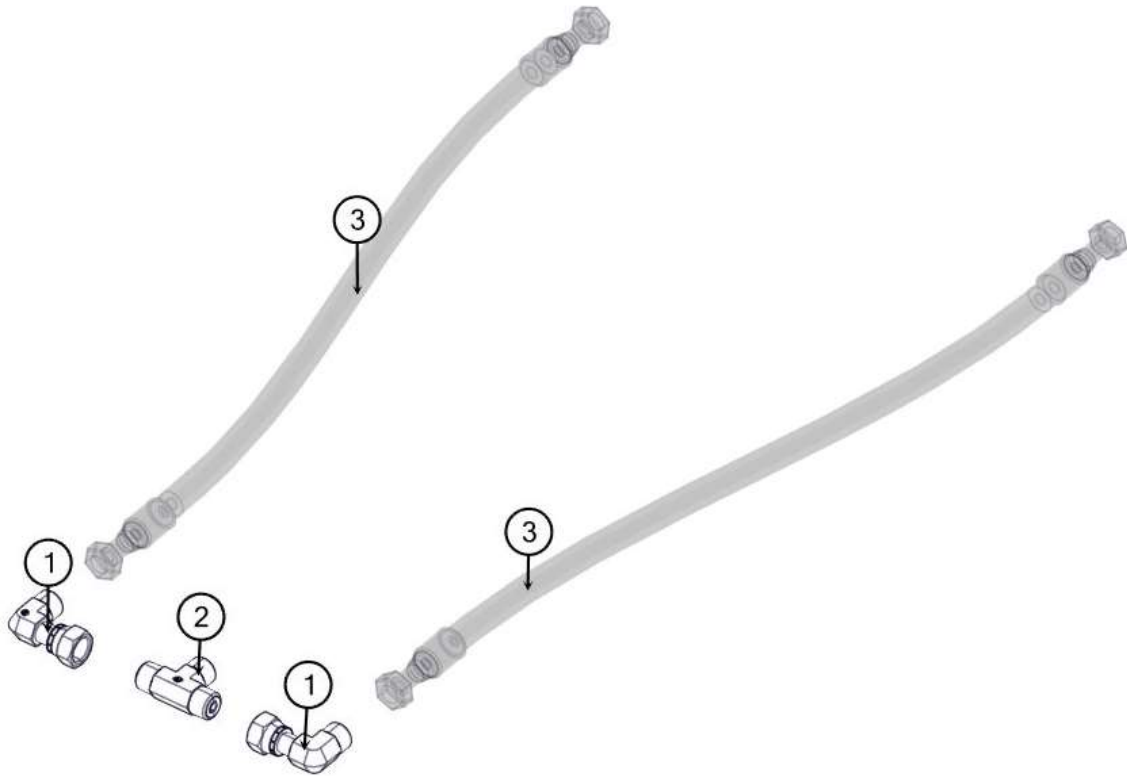
## HYDRAULICS (Hoses & Fittings) (36" OTS)



BOM ID	Qty	Name
1	1	C502368 NOZZLE, HOSE ASSEMBLY 36"OTS
2	4	C502367 ASSEMBLY, 36" OTS CYLINDER HYDRAULICS
3	1	C502374 TOP, HOSE ASSEMBLY 36"OTS
4	1	C502369 AUGER WATER HOSE,36" OTS
5	8	T400046 REDUCER 6MP_4MP
6	1	C502376 ASSEMBLY BOTTOM HOSE 36"OTS
7	1	C502375 ASSEMBLY HOSE WIRE R,L, 36"OTS
8	1	C502375 ASSEMBLY HOSE WIRE R,L, 36"OTS

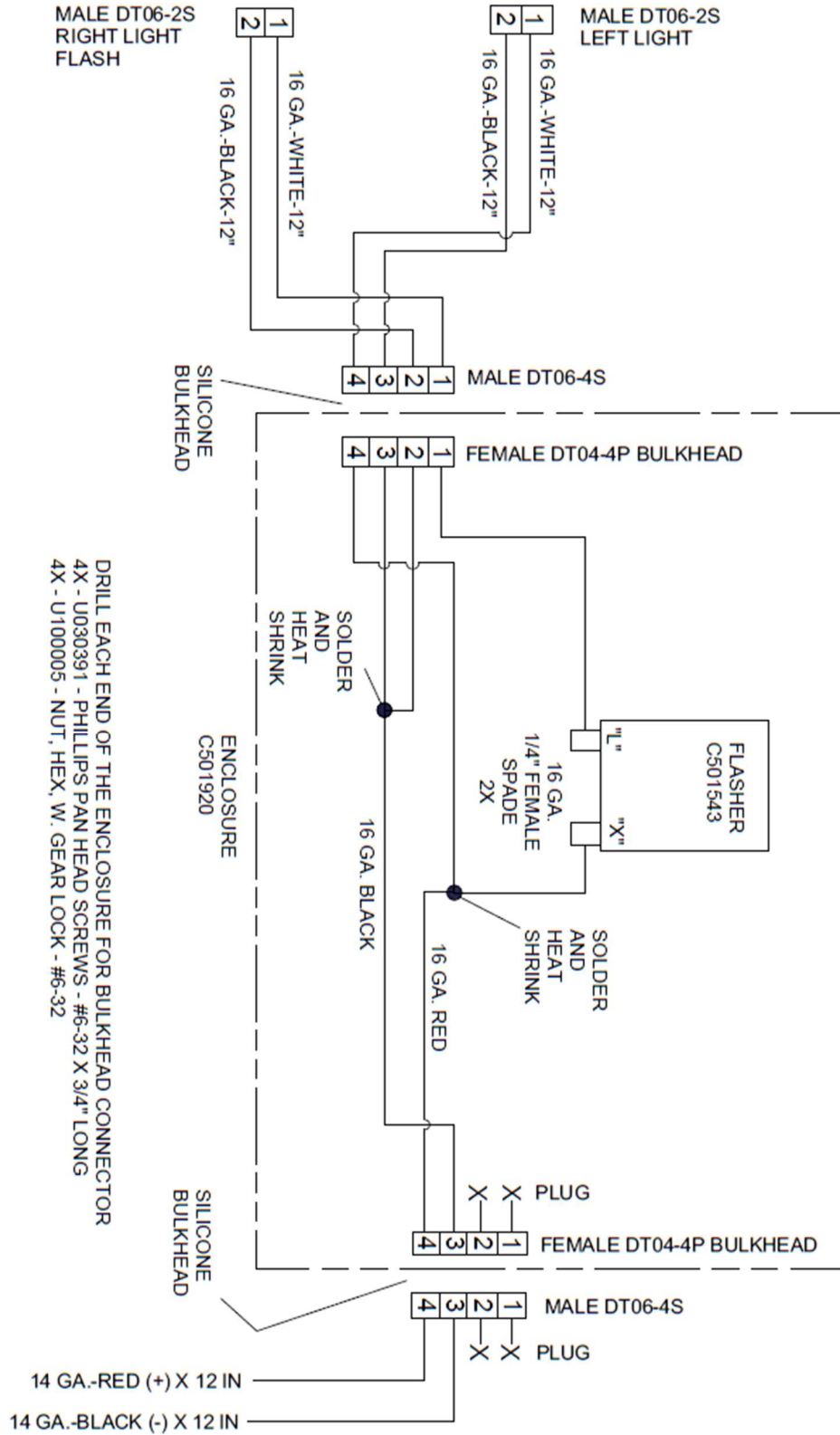
# Steering Head

## HYDRAULICS [Hoses & Fittings] (36"1 OTS



BOM ID	Qty	Name
1	2	T401061 ELBOW, 90 1/4"MP-1/4"FP SWIVEL
2	1	T402034 TEE, 1/4"MP-1/4"MP-1/4"MP
3	2	C502378 CYLINDER, HOSE ASSEMBLY 4 - 16" ST-ST

# Steering Head Wiring Schematic [36"10TS





# **WARRANTY RETURN GOODS POLICY**

## **LIMITED WARRANTY**

The Manufacturer warrants its products to be free from defects in material and workmanship for a period of twelve months from the date of shipment from the factory. Hole Hammer pistons, bodies, and nose pieces are warranted to be free from defects in material and workmanship for a period of three years from the date of shipment from the factory. The Manufacturer shall not be responsible for any damage resulting to or caused by its products by reason of installation, improper storage, unauthorized service, alteration of the products, neglect or abuse, or use of the product in a manner inconsistent with its design. This warranty does not extend to any component parts not manufactured by Manufacturer; however, Manufacturer's warranty herein shall not limit any warranties made by manufacturers of component parts which extend to Buyer.

Claims for defects in material and workmanship shall be made in writing to Manufacturer within ten days of discovery of defect. Manufacturer may either send a service representative or have the product returned to its factory at Buyer's expense for inspection. Upon notification of defect, Manufacturer will issue a return goods authorization number to Buyer. The return goods authorization number must accompany the product returned. If judged by the Manufacturer to be defective in material or workmanship, the product will be replaced or repaired at the option of the manufacturer, free from all charges except authorized transportation. Buyer shall be responsible for all maintenance services consisting of lubrication and cleaning of equipment, replacing expandable parts, making minor adjustments, and performing operating checks, all in accordance with procedures outlined in Manufacturer's maintenance literature.

THE FOREGOING WARRANTY IS IN LIEU OF ALL OTHER WARRANTIES AND NO REPRESENTATIONS, GUARANTEES, OR WARRANTIES, EXPRESS OR IMPLIED, (INCLUDING BUT NOT LIMITED TO A WARRANTY OF MERCHANTABILITY OR FITNESS FOR A PARTICULAR PURPOSE), ARE MADE BY THE MANUFACTURER IN CONNECTION WITH THE MANUFACTURE OR SALE OF ITS PRODUCTS. NO EMPLOYEE, DISTRIBUTOR, OR REPRESENTATIVE IS AUTHORIZED TO CHANGE THIS WARRANTY ON BEHALF OF MANUFACTURER THE REMEDIES OF BUYER SET FORTH HEREIN ARE EXCLUSIVE AND ARE IN LIEU OF ALL OTHER REMEDIES. THE LIABILITY OF MANUFACTURER WHETHER IN CONTRACT, TORT, UNDER ANY WARRANTY, OR

OTHERWISE SHALL NOT EXTEND BEYOND ITS OBLIGATION TO REPAIR OR REPLACE, AT ITS OPTION ANY PRODUCT OR PART FOUND BY MANUFACTURER TO BE DEFECTIVE IN MATERIAL OR WORKMANSHIP. MANUFACTURER SHALL NOT BE LIABLE FOR COST OF INSTALLATION AND/OR REMOVAL OR BE RESPONSIBLE FOR DIRECT, INDIRECT, SPECIAL OR CONSEQUENTIAL DAMAGES OF ANY NATURE.

## **GENERAL RETURNS OF MERCHANDISE**

1. All returns must be pre-authorized
  - A. Please call our parts department for an RGA number
  - B. Please include RGA number on the outside of box
  - C. Include any required paper work or special instructions
  - D. Items returned without an RGA number will not be accepted
2. All returns are subject to a 20% restock charge.
3. Special items are non-returnable
  - A. Non-stock parts
  - B. Custom parts
  - C. If you are unsure about a parts status when ordering, ask your McLaughlin representative if the item fits on of the above conditions.
4. Items must be returned within thirty days of original order date.
5. Items not returned within 30 days from the date of RGA is issued will not be accepted.
6. The item(s) must be in new condition. Used item(s) are not returnable.