



Providing Solutions Since 1921

2006 Perimeter Road. Greenville, SC 29605

Toll Free: 800/435-9340 – Phone: 864/277-5870

Fax: 864/235-9661 – Website address: www.mclaughlinunderground

Email address: mmole@mightymole.com

PARTS MANUAL

CS418

SERIAL NUMBER CS091417019 TO PRESENT Rev. 4

8/13/2020

2019 by McLaughlin Group, Inc.

All rights reserved. No part of this manual may be reproduced in any form, or by any means without prior written permission of McLaughlin Group, Inc.

Table of Contents

DECAL LAYOUT	7
TRAILER	14
TRAILER ASSEMBLY.....	15
RETRACTABLE ARM ASSEMBLY.....	16
MAST & CAGE ASSEMBLY.....	17
MAST ASSEMBLY	18
CAGE ASSEMBLY.....	19
HYDRAULIC MOTOR ASSEMBLY	20
HUB ASSEMBLY	21
ENGINE ASSEMBLY.....	22
OIL COOLER ASSEMBLY	23
HYDRAULIC TANK ASSEMBLY	24
WATER TANK ASSEMBLY.....	25
FUEL TANK ASSEMBLY.....	26
BATTERY ASSEMBLY.....	27
CONTROL PANEL ASSEMBLY	28
DOUBLE SPOOL VALVE ASSEMBLY.....	29
SINGLE SPOOL VALVE ASSEMBLY.....	30
CONTROL RELIEF VALVE ASSEMBLY	31
RELIEF VALVE ASSEMBLY.....	32
HYDRAULIC MOTOR ASSEMBLY.....	33

SYSTEM OPERATIONS SPECIFICATIONS

PART	PART #	FIRST 50 HOURS	EVERY 100 HOURS	EVERY 150 HOURS	EVERY 200 HOURS	EVERY 300 HOURS	EVERY 600 HOURS
ENGINE OIL	10W-30		X				
OIL FILTER (KOHLER)	296357974-01		X				
FUEL FILTER (KOHLER)	296357974-02				X		
AIR FILTER (KOHLER)	296429716					X	
AIR-FILTER INNER ELEMENT	296429716-01						X
HYDRAULIC OIL	INDUSTRIAL TYPE HYDRAULIC FLUID	✓ DAILY					

****Refer to Component Manual specific Component Specifications.

GREASE GUN LUBE POINT



TRAILER JACKS GREASE POINT

DECAL LAYOUT



WARNING



Hot fluid under pressure.
Hot coolant and steam can burn or scald.
NEVER open when hot.

J200435



WARNING



Flammable liquid.
Fuel and fumes can explode or catch fire.
Turn off engine **BEFORE** fueling.
Wipe up spilled fuel immediately.

J200440



J200430

CS418 7000L017

B J200820



DECAL LAYOUT



⚠ WARNING
<p>Hot surfaces. Do not touch.</p>

J200485



⚠ DANGER
<p>Crushing weight. Rolling or tilting trailer will cause death or serious injury. Chock tires and apply parking brake before operating or servicing. Do not operate unless attached to the towing vehicle.</p>

J200400



⚠ WARNING

Moving parts.
Death or serious injury
may result.
Stop engine
before servicing. J200425

J200425

⚠ WARNING

Electricity, or Gas
Explosion Can Kill

Locate Utilities
Call 811

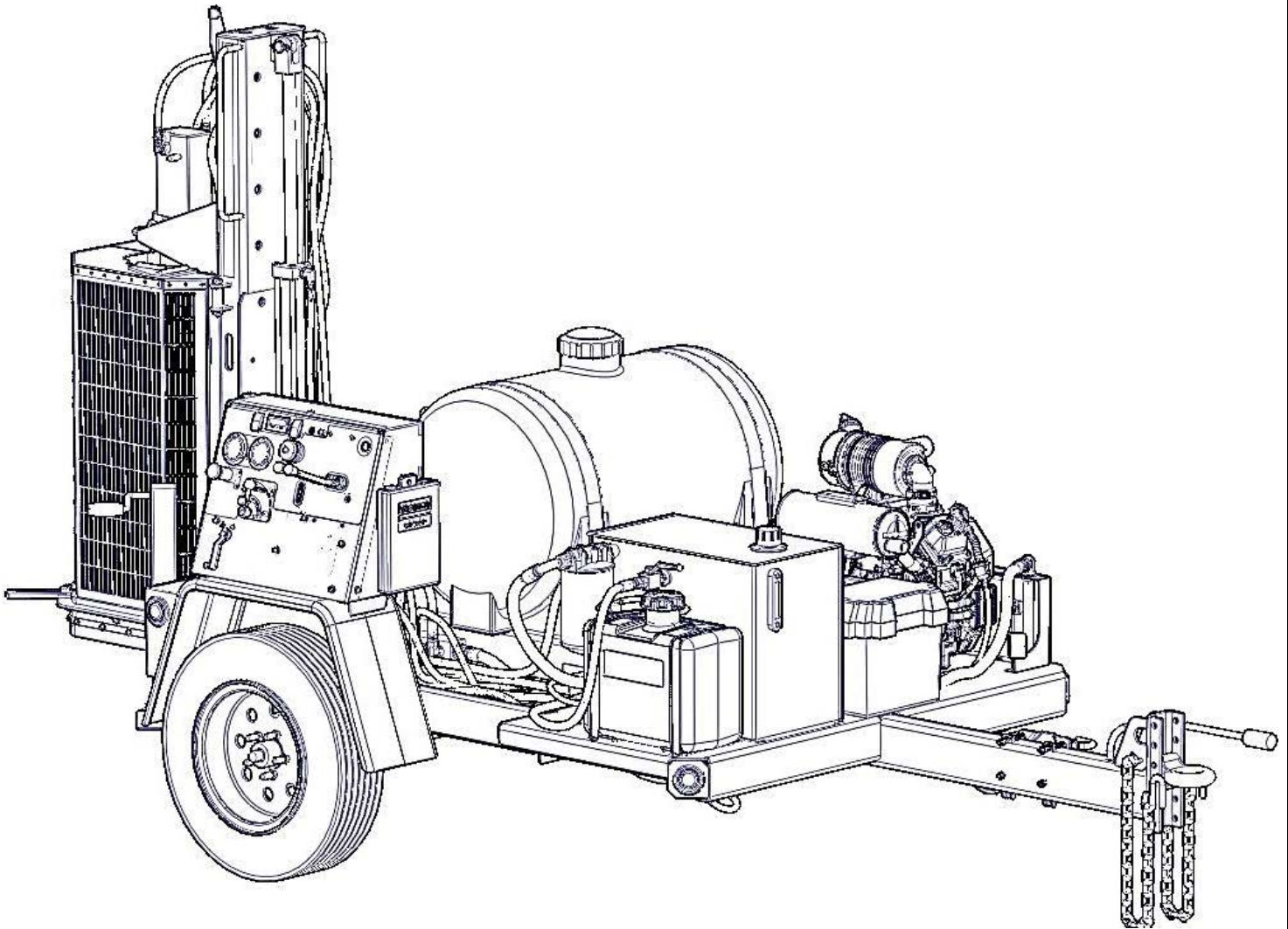
J200210

⚠ WARNING

Read manual.
Death or serious injury may result.
Read and understand
all safety and operating instructions
BEFORE operating any equipment.

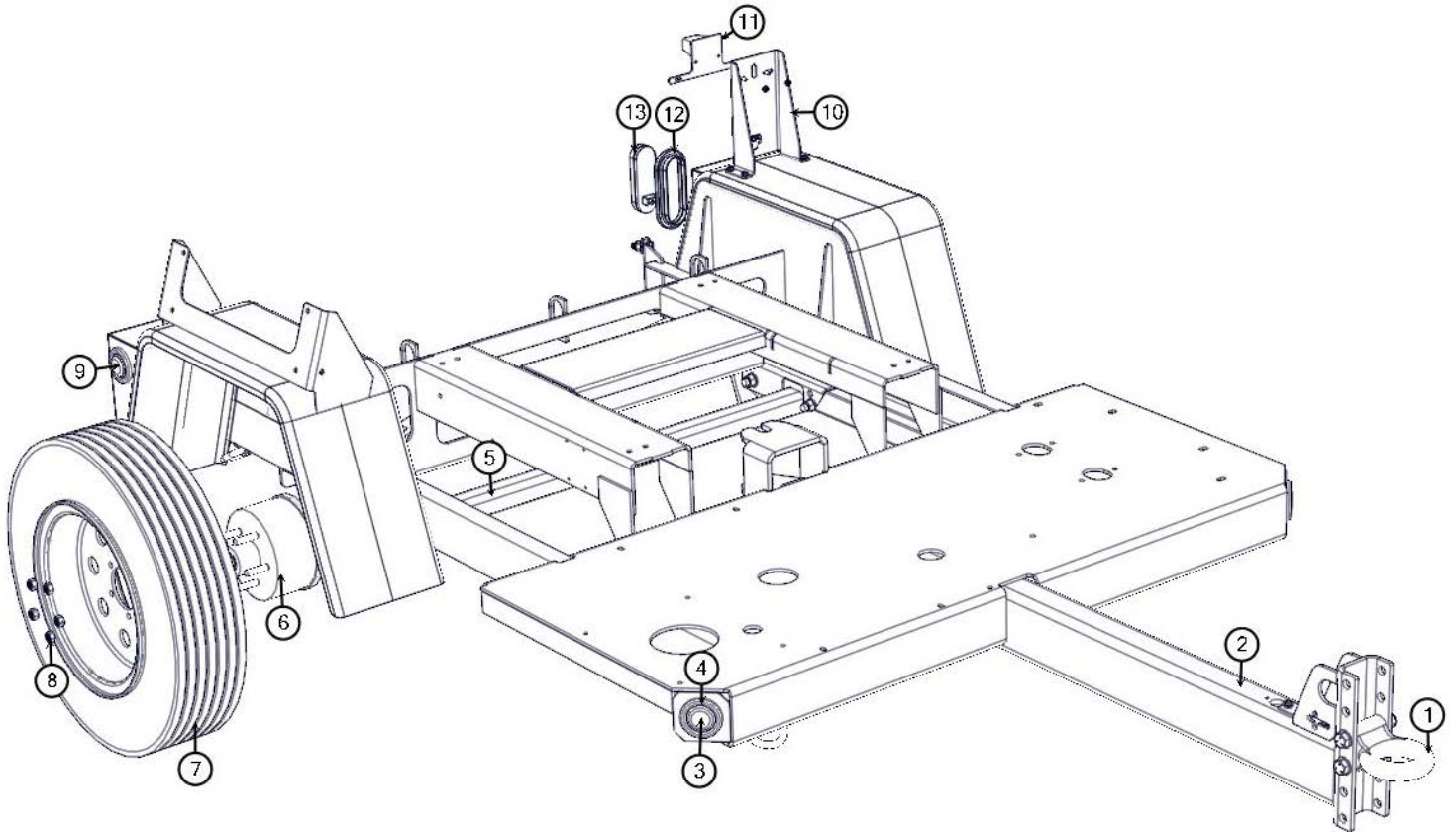
J200420

J200420



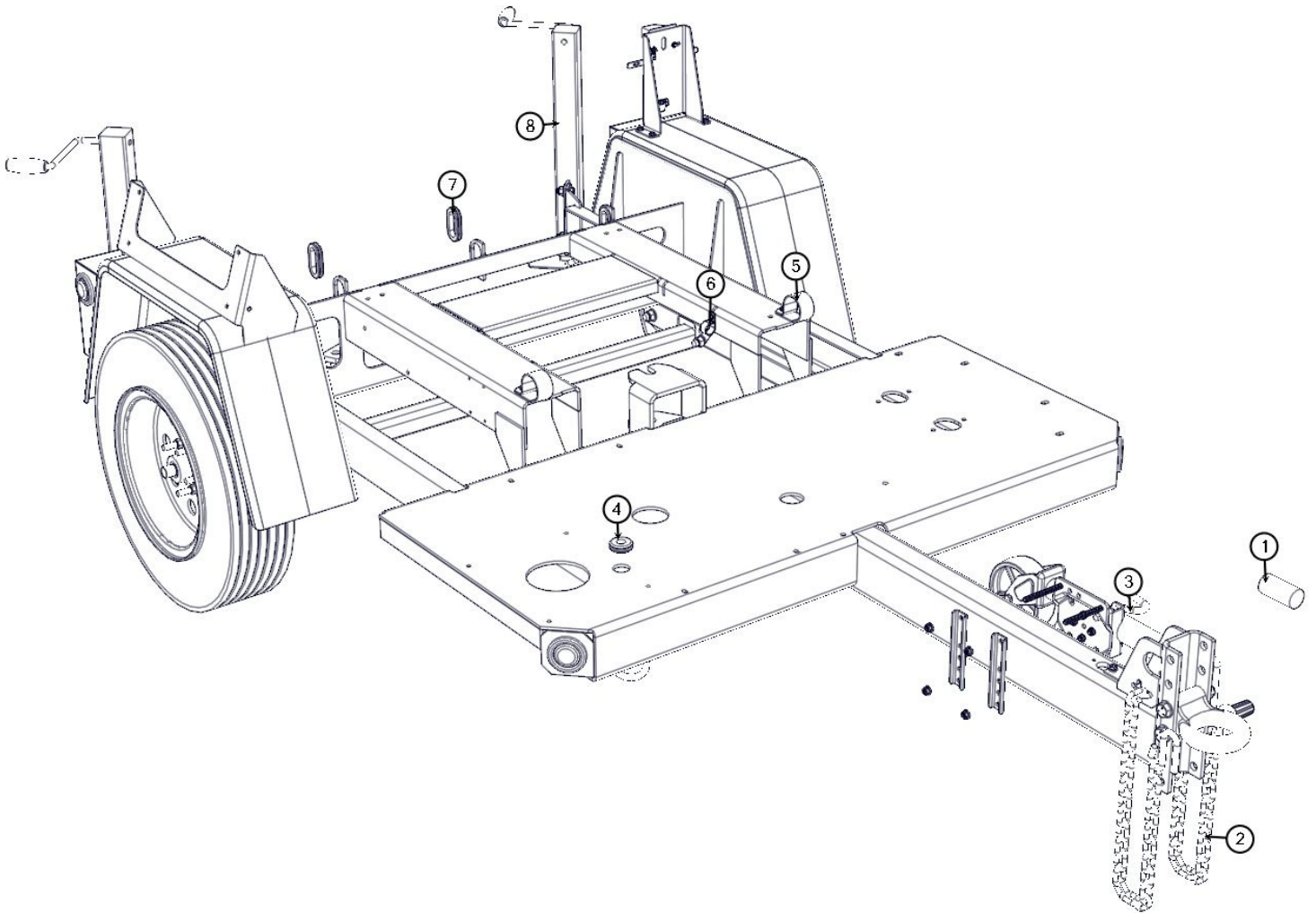
PAGE LEFT BLANK

CS418 TRAILER



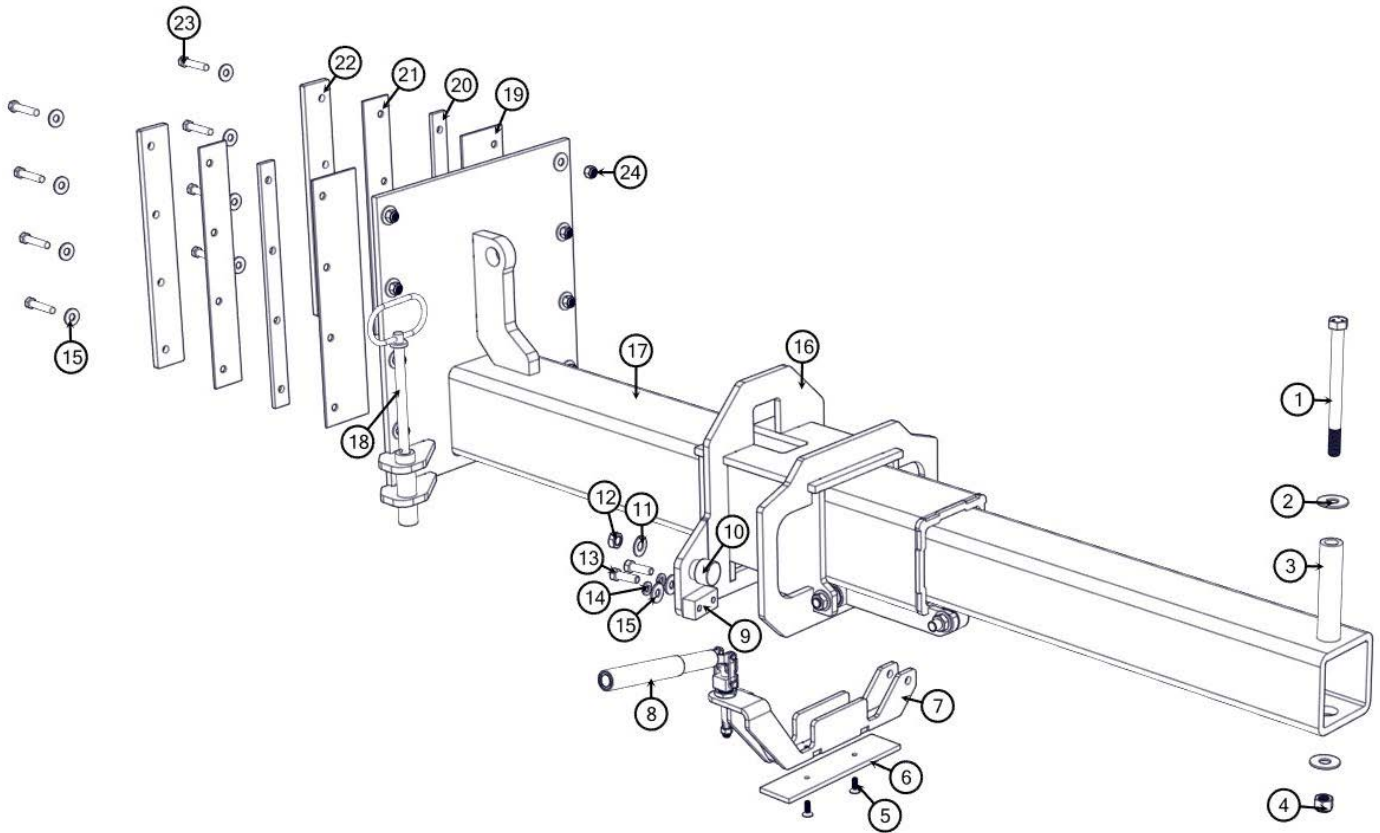
BOM ID	Qty	Name
1	1	117908001 HITCH, PINTLE RING 2.5 ID
2	1	296429680 WELDMENT, TRAILER FRAME
3	2	8091468 LIGHT, TRAILER 2" LED AMBER
4	4	8091469 GROMMET, 2" RUBBER
5	1	296429700 AXLE, 3500# TOREFLEX
6	2	296429700-01 HUB
7	2	296265960 TIRE WHEEL ASSEMBLY, 14"
8	10	8043987 LUG NUT
9	2	8091370 LIGHT, 2" LED RED MARKER
10	1	296265999 BRACKET, LICENSE PLATE
11	1	8049518 LICENSE PLATE HOLDER W/LIGHT
12	2	8091471 GROMMET, LIGHT OVAL LED
13	2	8091470 LIGHT, TRAILER OVAL LED RED

CS418 TRAILER ASSEMBLY



BOM ID	Qty	Name
1	1	X200209 HARNESS, TRAILER LIGHTS CS418
2	2	86321013 CHAIN, 5/16 PROOF GALV-77LKS
3	1	296265965 JACK, SWIVEL (MANUAL)
4	1	296429681-002 GROMMET, FUEL LINE
5	2	296265956 P-CLAMP
6	3	296298236 CLAMP, P-CLAMP 1"
7	3	8042812 GROMMET, 2"ID X 3"OD X 1/4"WOG
8	2	296429697 JACK, 7000# DRCP LEG W/PLATE

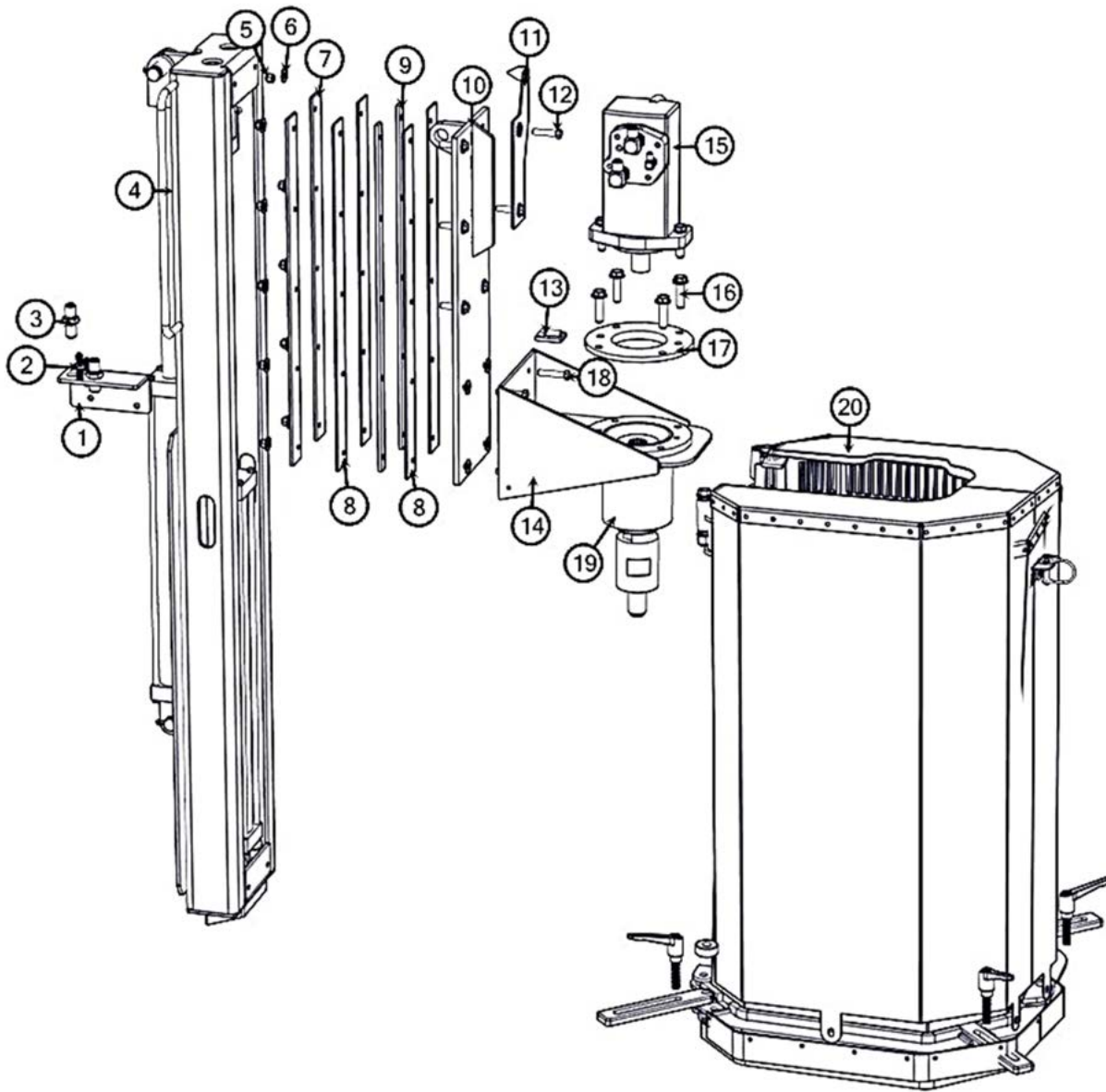
CS418 RETRACTABLE ARM ASSEMBLY



BOM ID	Qty	Name
1	1	U001041 SCREW, HC .500-13 X 6.50 ZP G8
2	2	U200100 WASHER, FLAT .500 ZP
3	1	296429686 TUBE, ARM PIVOT
4	1	U160018 NUT, LOCK .500-13 NY ZP
5	2	U030015 SCREW, SFH .250-20 X .750 G5
6	1	296429659-002 WEAR STRIP
7	1	296429721 WELDMENT, LOCK ARM
8	1	8094555 WELDMENT, ACTION CLAMP W/HANDLE
9	2	296429704 CARRIAGE BLOCK
10	10	W000020 BEARING, CAMROL 1.25"
11	8	U200110 WASHER, FLAT .500 ZP SAE HARD
12	8	U160015 NUT, JAM .500-20
13	4	U000440 SCREW, HC .375-16 X 1.25 ZP G5

BOM ID	Qty	Name
14	4	U210060 WASHER, LOCK .375 ZP
15	20	U200060 WASHER, FLAT .375 ZP
16	1	296429668 WELDMENT, CRADLE
17	1	296429661 WELDMENT, ARM OUTER
18	1	296429714 PIN, 1/2" X 5 3/4"
19	2	296262117 WEAR BAR PLATE
20	2	296278359 SPACER PLATE
21	2	296262119 WEAR BAR PLATE
22	2	296278350 CLAMP PLATE
23	8	U000500 SCREW, HC .375-16 X 2.00 ZP G5
24	9	U120110 NUT, LOCK .375-16 NY ZP

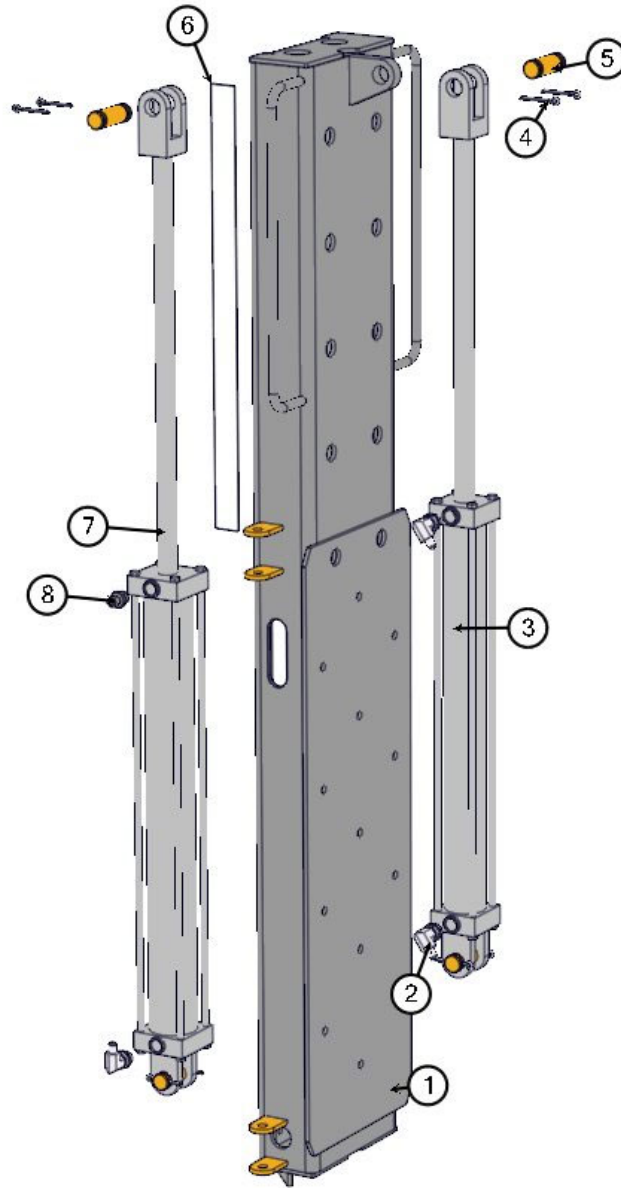
CS418 MAST & CAGE ASSEMBLY



BOM ID	Qty	Name
1	1	296429720 BRACKET, HOSE CS418
2	2	T400385 BULKHEAD 4MJ-4MJ
3	2	T400387 BULKHEAD 8MJ-8MJ
4	1	296278351 MAST HOESAW HEAVY CS418
5	10	U120110 NUT, LOCK .375-16 NY ZP
6	20	U200060 WASHER, FLAT .375 ZP
7	2	296262120 BAR CLAMP
8	4	296262115 PLATE, WEAR BAR
9	2	296278358 SPACER BAR
10	1	296262081 MOUNT, MOTOR SLIDE WEAR
11	1	296306664 PLATE, DEPTH GUAGE

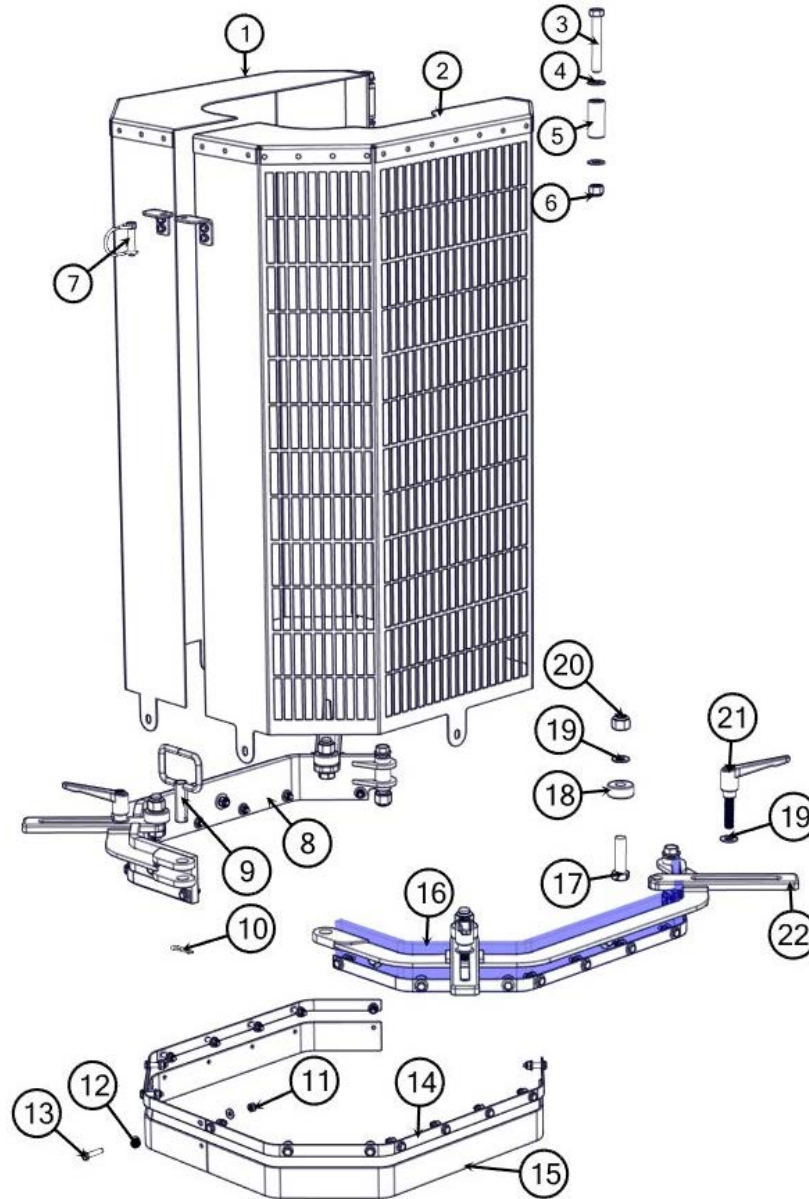
BOM ID	Qty	Name
12	6	U000480 SCREW, HC .375-16 X 1.75 ZP G5
13	1	296429649 LEVEL, 2-WAY
14	1	296278353 HYD MOTOR MOUNT WELDMENT
15	1	296421767 MOTOR ASSEMBLY, TWO SPEED
16	4	U000880 SCREW, HC .500-13 X 2.00 ZP G5
17	1	296284534 RING-PILOT
18	4	U000500 SCREW, HC .375-16 X 2.00 ZP G5
19	1	296284535 CARRIER HUB
20	1	2296394928 LAYOUT CAGE

CS418 MAST ASSEMBLY



BOM ID	Qty	Name
1	1	296278351 MAST HOESAW HEAVY CS418
2	3	T401265 ELBOW, 90 8MB-4MJ
3	1	296262127 CYLINDER, MAST SLIDE 20"
4	8	510023 PIN-COTTER .19 X 1.75
5	4	296271041 CYLINDER PIN 1"
6	1	296421833 DECAL, DEPTH GAUGE
7	1	296262131 CYLINDER, 24" MOTOR TRAVEL
8	1	T400135 REDUCER, 8MB-6MJ

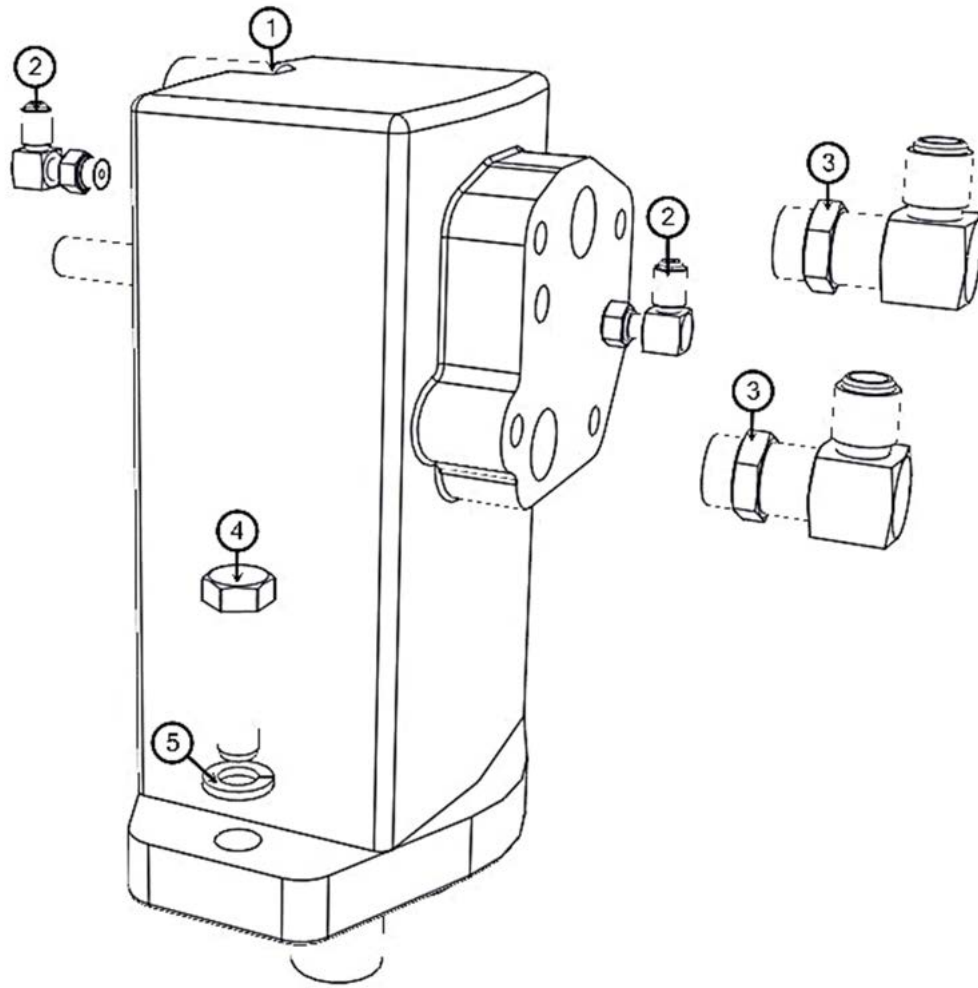
CS418 CAGE ASSEMBLY



BOM ID	Qty	Name
1	1	296285240 BIT GUARD
2	1	296285241 BIT GUARD
3	2	U000940 SCREW, HC .500-13 X 3.50 ZP G5
4	4	U200110 WASHER, FLAT .500 ZP
5	2	2296394919 BIT GUARD TUBE
6	2	U160018 NUT, LOCK .500-13 NY ZP
7	1	2109005 PIN, LOCKING 3/8 X 1 3/8" RD UL
8	1	296285244 BIT - GUIDE
9	1	296285246 PIN BIT GUIDE
10	1	1794005 COTTER, HAIR PIN .094WIR
11	20	U120000 NUT, LOCK .250-20 ZP NY G2
12	31	U200020 WASHER FLAT .250 ZP

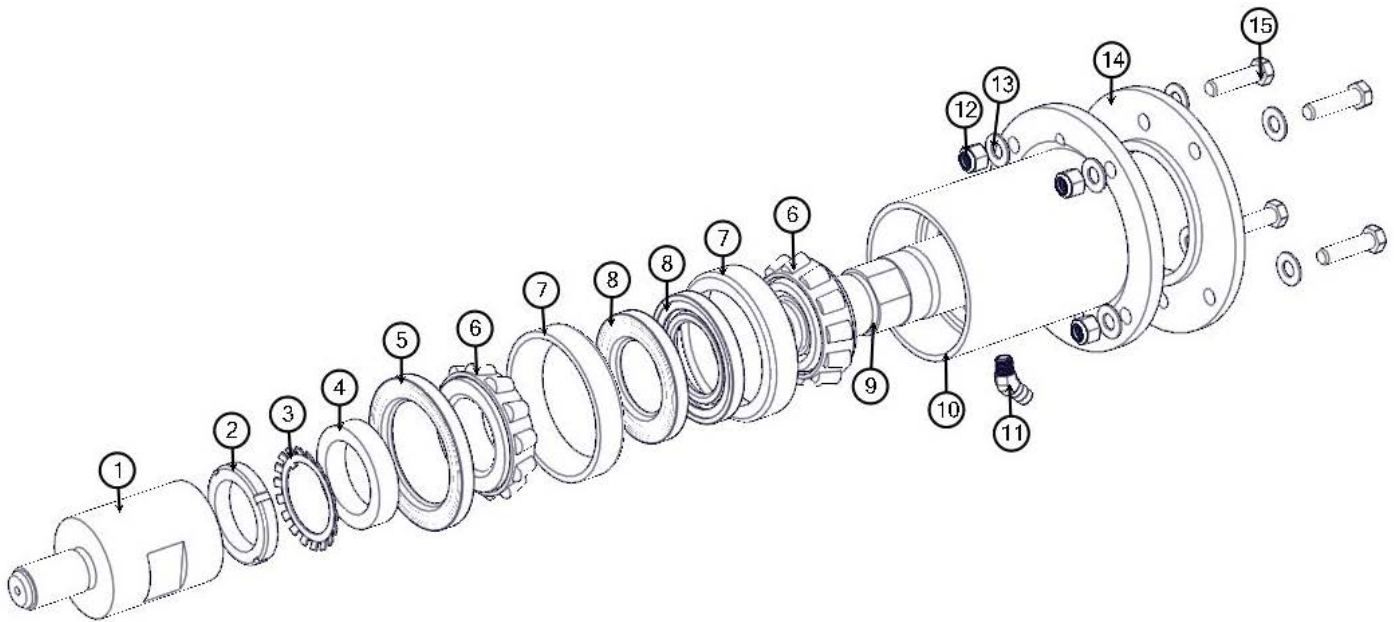
BOM ID	Qty	Name
13	16	U000080 SCREW, HC .250-20 X 1.25 ZP G5
14	2	296285247 PLATE, BIT GUIDE
15	2	296285248 WATER SEAL (RUBBER)
16	1	296285245 BIT - GUIDE
17	4	U001210 SCREW, HC .625-11 X 2.25 ZP G5
18	4	296260957 BEARING
19	16	U200110 WASHER FLAT .500 ZP SAE HARD
20	6	U120020 NUT, LOCK NY, .625-11 ZP G2
21	4	8095074 HANDLE, ADJUSTABLE W/THREADED
22	4	296429525 PLATE - BIT GUIDE COMP.
23	2	296285247 PIN BIT GUIDE RAW

CS418 HYD MOTOR ASSEMBLY



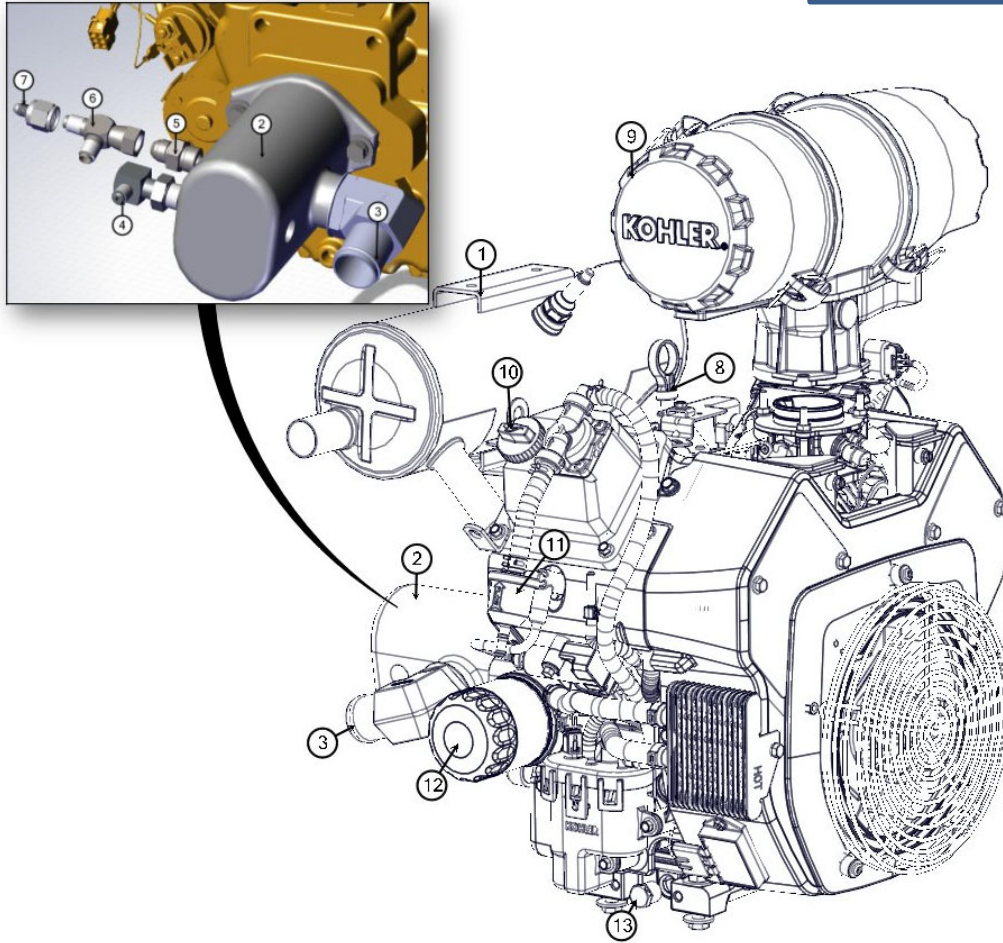
BOM ID	Qty	Name
1	1	296262122 MOTOR HYD. TWO SPEED
2	2	T401230 ELBOW, 90 4MB-4MJ
3	2	T401300 ELBOW, 90 10MB-8MJ
4	2	U000880 SCREW, HC .500-13 X 2.00 ZP G5
5	2	U210100 WASHER, LOCK .500 ZP

CS418 HUB ASSEMBLY



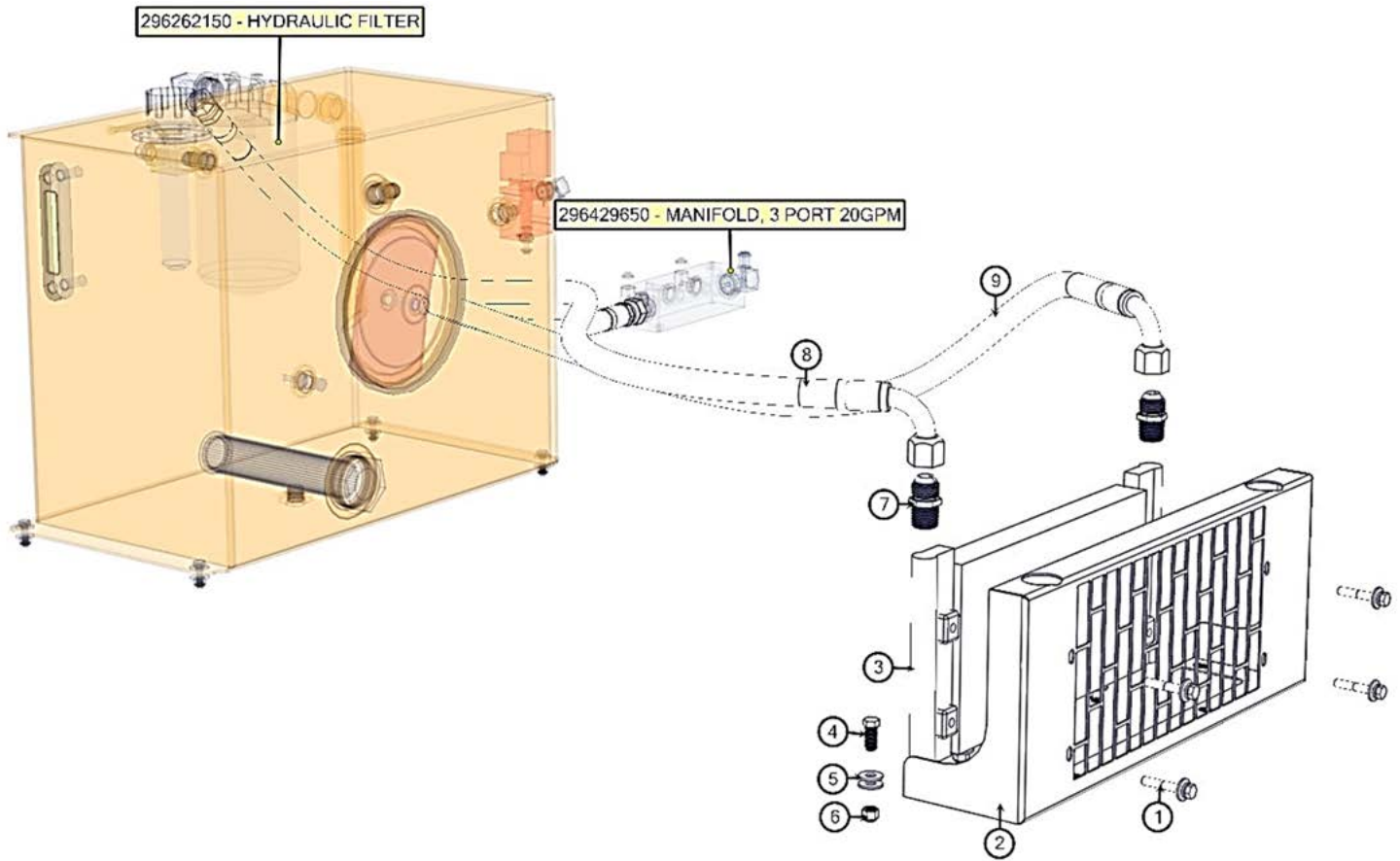
BOM ID	Qty	Description
1	1	296284563 CORE BIT THREAD 1 1/4"
2	1	296284558 BEARING NUT 2.157 DIA.
3	1	296284540 BEARING LOCK WASHER 2.157 THREAD
4	1	296284541 RING, BEARING
5	1	296284539 SEAL, 3 1/8"ID X 4 4/5"OD
6	2	296421786 BEARING
7	2	296284542 BEARING CUP
8	2	296284538 SEAL, 2 1/4"ID X 4"OD
9	1	296284536 SHAFT, DRIVE
10	1	296284535 CARRIER HUB
11	1	296262093 ELBOW 45 4MP_8HB-2
12	4	U160018 NUT, LOCK .500-13 NY ZP
13	8	U200110 WASHER, FLAT .500 ZP
14	1	296284534 RING, PILOT
15	4	U000880 SCREW, HC .500-13 X 2.00 ZP G5

CS418 ENGINE ASSEMBLY



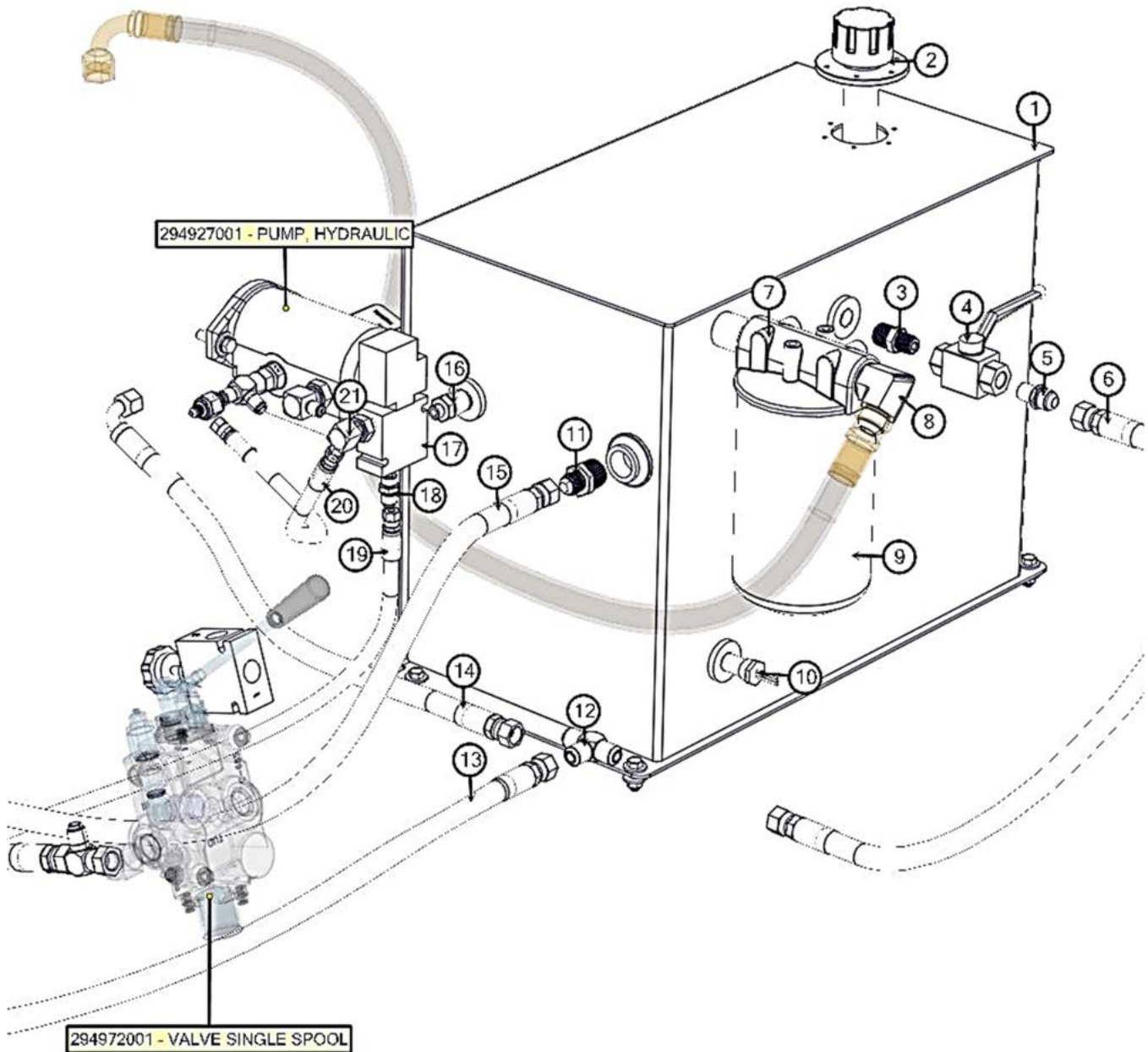
BOM ID	Qty	Name
1	1	296357974 ENGINE, KOHLER 25HP
2	1	294927001 PUMP, HYDRAULIC
3	1	294928001 FITTING, ELBOW 90 1 1/4MB-1 1/2HB
4	1	T401290 ELBOW, 90 10MB(ADJ)-6MJ
5	1	T400160 REDUCER, 10MB-8MJ
6	1	T402155 TEE, 8FJ-8MJ-8MJ
7	1	T400700 REDUCER, 8FJ-4MJ
8	1	296357974-05 DIPSTICK
9	1	296429716 AIR CLEANER
10	1	296357974-04 CAP, OIL FILL
11	1	296357974-02 FILTER, FUEL
12	1	296357974-01 FILTER, OIL
13	1	296357974-03 PLUG, OIL DRAIN

CS418 OIL COOLER ASSEMBLY

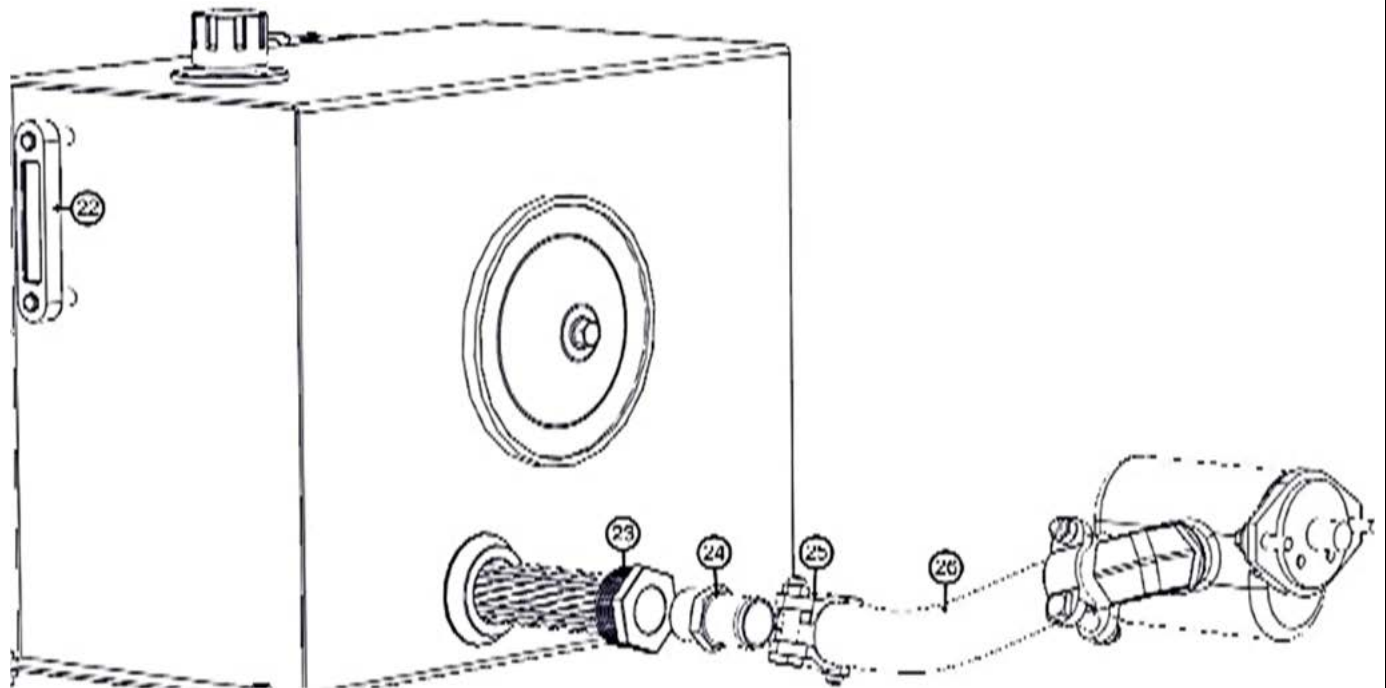


BOM ID	Qty	Name
1	4	296271049 OIL COOLER MOUNT KIT
2	1	296284559 COOLER MOUNT GUARD PLATE
3	1	8094672 OIL COOLER (CORE SAW)
4	4	U000420 SCREW, HC .375-16 X 1.00 ZP G5
5	8	U200060 WASHER, FLAT .375 ZP
6	4	U110060 NUT, ST .375-16 ZP G2
7	2	T400100 UNION, 12MP-12MJ
8	1	8094052 HOSE ASSY VAC 12-66" ST-90
9	1	8094051 HOSE ASSY VAC 12-72" ST-ST

CS418 HYDRAULIC TANK ASSEMBLY



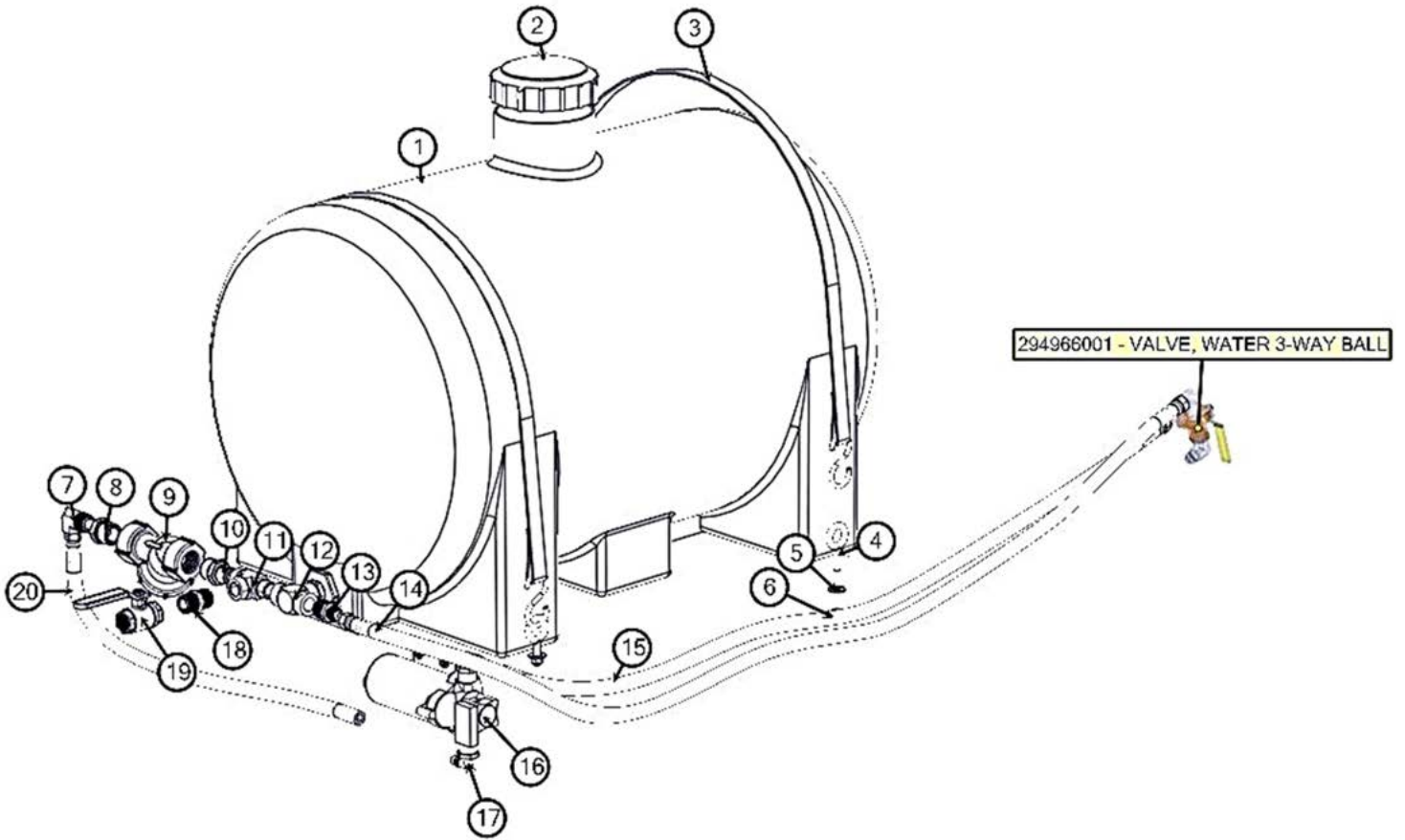
CS418 HYDRAULIC TANK ASSEMBLY



BOM ID	Qty	Name
1	1	296429688 TANK, RESERVOIR HYD 18 GAL
2	1	296262153 FILL NECK, HYD TANK
3	1	T400805 REDUCER, 8MP-6MP
4	1	8030351 VALVE, BALL 3/8" 3K PSI
5	1	T400030 REDUCER, 6MP-8MJ
6	1	118-10-10-23.50 HOSE ASSY VAC 8-23 1/2"
7	1	296262150 HYDRAULIC FILTER ASSEMBLY
8	1	T401425 ELBOW 90 16MP_12MJ
9	1	296271046 FILTER, HYD. OIL
10	1	8043659 SWITCH TEMP OIL COMP 185F
11	1	T400080 REDUCER, 12MP-8MJ
12	1	T402040 TEE 8MJ 8MJ 8MJ
13	1	H6-10-10-062 HOSE #6 62"LG ST-ST
14	1	8092869 HOSE ASSY VAC 8-28" ST-90

BOM ID	Qty	Name
15	1	8041489 HOSE ASSY VAC 8-60" ST-ST
16	1	T400090 REDUCER, 8MP-6MB
17	1	296262046 VALVE, SOLENOID 2POS-3WAY
18	1	1400037 UNION, 6MB-6MJ
19	1	8042354 HOSE ASSY VAC 4-160" ST-ST
20	1	8094060 HOSE ASSY VAC 4-24" ST-ST
21	1	1401250 ELBOW, 90 6MB-6MJ
22	1	296262149 SIGHT GAUGE W/TEMP
23	1	64101001 STRAINER, SUCTION
24	1	296262155 FITTING, 1 1/4"NPT X 1 1/2" TUBE
25	2	T430310 1-1_2 DBL BOLT CLAMP
26	1	8094061 HOSE VAC SUCTION 1 1/2" - 11"LG

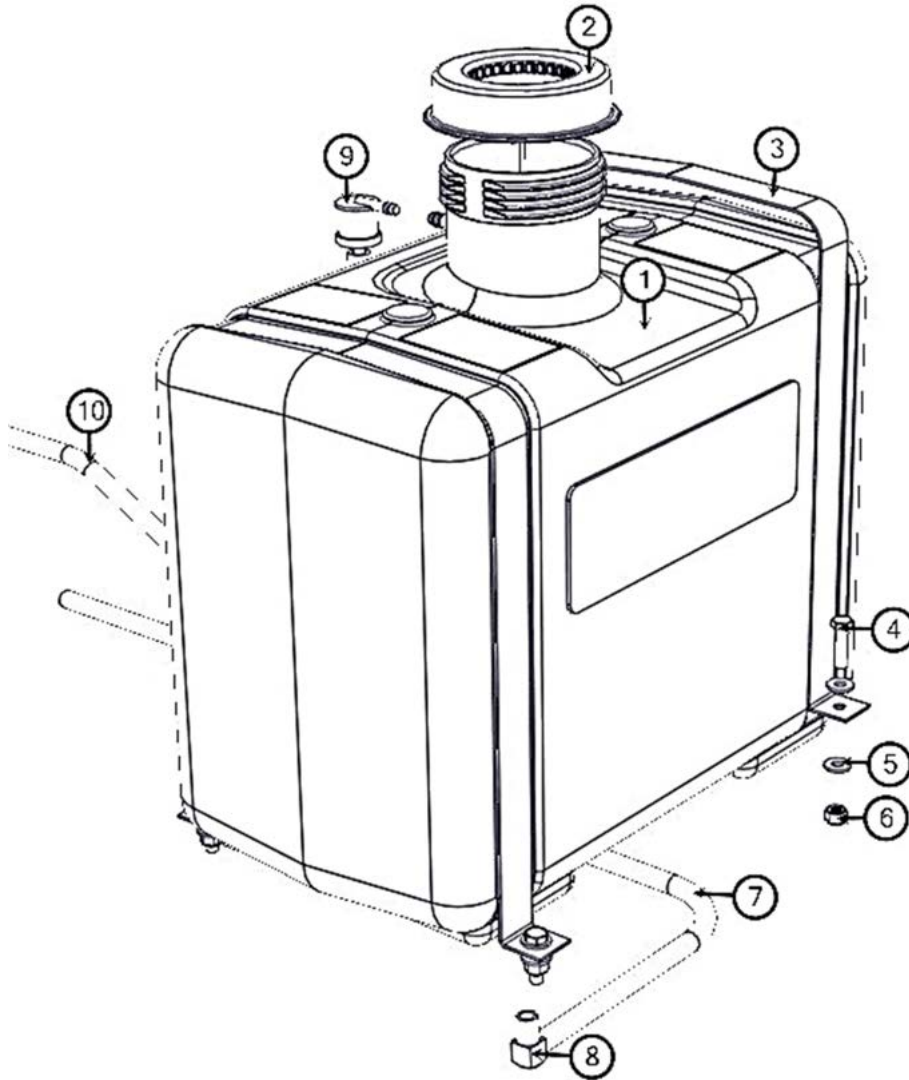
CS418 WATER TANK ASSEMBLY



BOM ID	Qty	Name
1	1	296265977 TANK, WATER 65 GALLON
2	1	296271042 LID, WATER TANK 65 GAL
3	2	8040084 STRAP, RATCHET 50/125 SADDLE TANK
4	4	8093868 BOLT, EYE 3/8" X 1 1/4"
5	4	U200060 WASHER, FLAT .375 ZP
6	4	U120110 NUT, LOCK .375-16 NY ZP
7	1	T401160 ELBOW, 90 12MP-8MJ
8	1	T403080 REDUCER 16MP_12FP
9	1	8040186 STRAINER, Y 1" BANJO
10	1	T404060 REDUCER 16MP_12MP
11	1	T402080 TEE 12MP 12FP 12FP

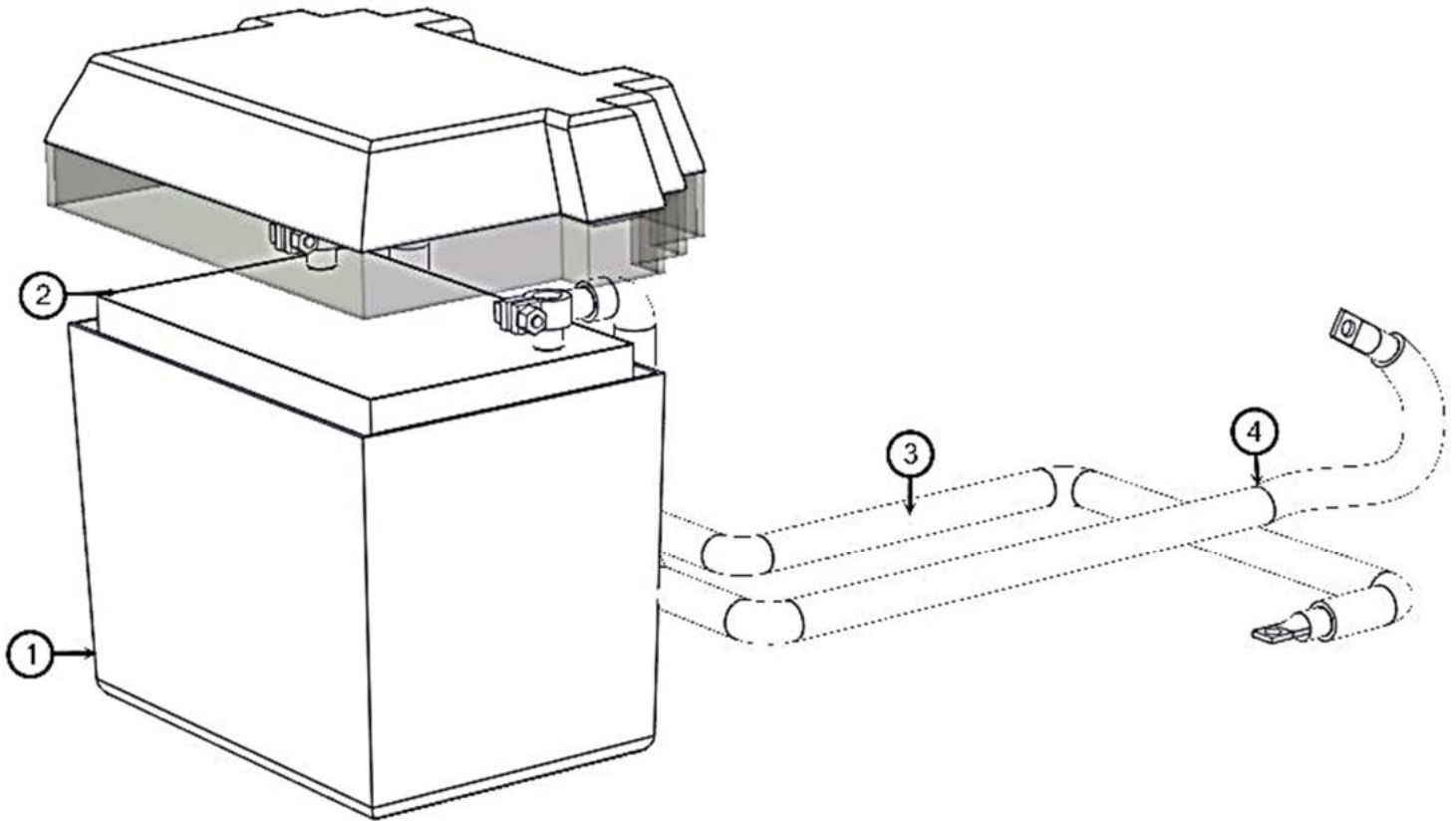
BOM ID	Qty	Name
12	1	T402160 TEE 12FP_12FP_12FP
13	1	T400080 REDUCER, 12MP-8MJ
14	1	8094095 HOSE VAC PUSH 8-70"LG
15	1	8045640 HOSE VAC PUSH 8-53"LG
16	1	90615001 PUMP, WATER 2.8 GPM 10AMP
17	2	T410120 FITTING, 1/2"FP-1/2"HOSE 90 DEG
18	1	T400800 UNION 12MP-12MP
19	1	T000185 VALVE, BALL 3/4" FNPT BRASS
20	1	8094094 HOSE VAC PUSH 8-28"LG

CS418 FUEL TANK ASSEMBLY



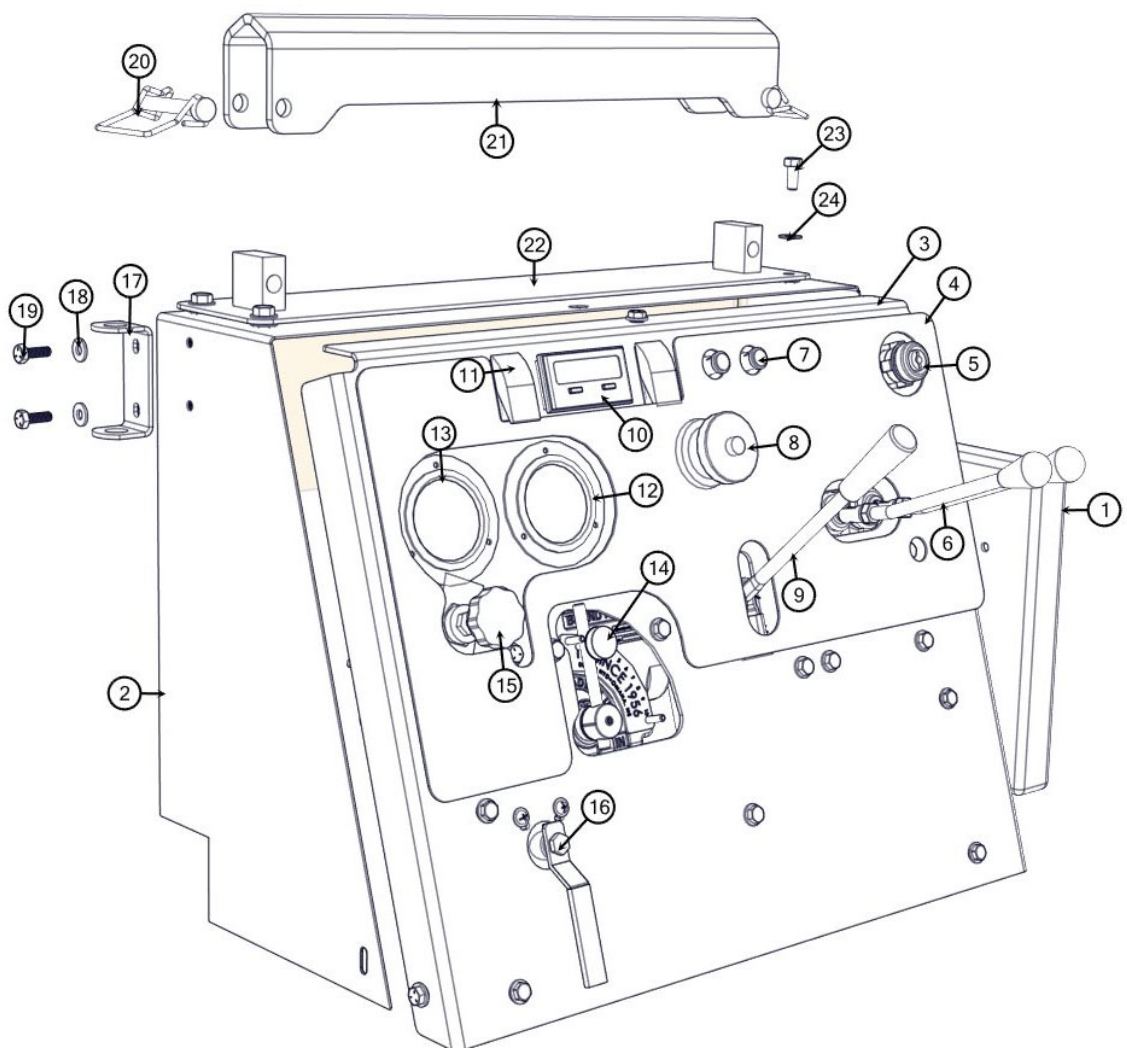
BOM ID	Qty	Name
1	1	296294723 TANK, FUEL 6 GALLON
2	1	296294724 CAP, FUEL TANK
3	2	296294725 STRAP-FUEL TANK TIE DOWN
4	4	U000060 SCREW, HC .250-20 X 1.00 ZP G5
5	8	U200020 WASHER, FLAT .250 ZP
6	4	U100020 NUT, HEX .250-20 ZP G2
7	1	8049946-60.00 HOSE, FUEL 5/16" X 60"LG
8	1	608118001 FITTING, 1/4MP-1/4HB 90
9	1	296395761 VALVE-ROLLOVER - 3/16 HOSE
10	1	8049946-67.00 HOSE, FUEL 5/16" X 67"LG

CS418 BATTERY ASSEMBLY



BOM ID	Qty	Name
1	1	X400030 BATTERY ENCLOSURE - LARGE
2	1	X400020 BATTERY, MT-34 24 - 54
3	1	X300216 CABLE, BATTERY GND 1GA 31"LG
4	1	X300229 CABLE, BATTERY HOT 1GA 31"LG

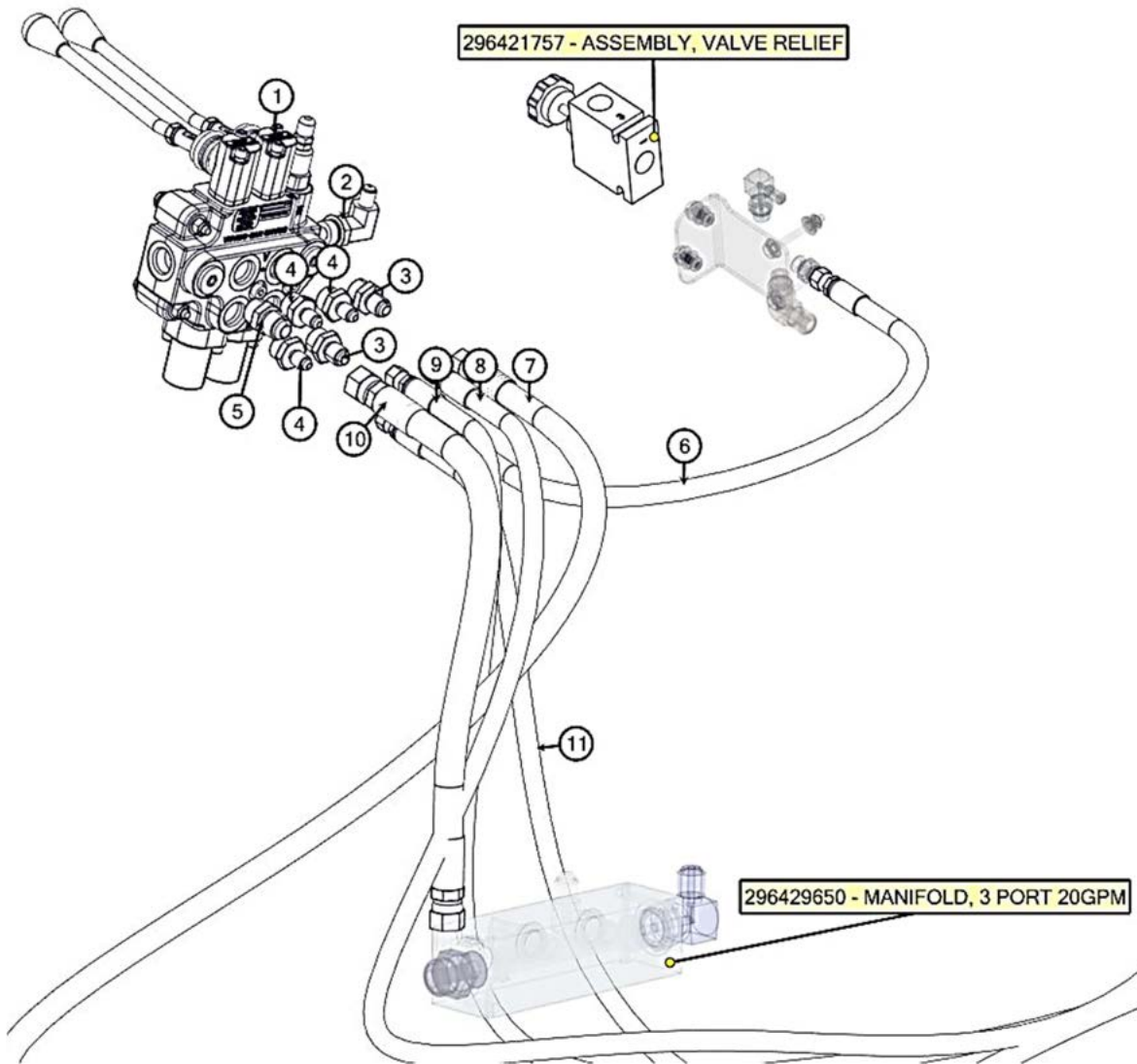
CS418 CONTROL PANEL ASSEMBLY



BOM ID	Qty	Name
1	1	E250210 BOX, SAFETY MANUAL
2	1	294951001 CONTROL PANEL TOP WELDMENT
3	1	296429709 CONTROL PANEL
4	1	296421832 DECAL, CONTROL PANEL
5	1	8030458 SWITCH, IGNITION
6	1	296429731 ASSEMBLY, VALVE 2-SPOOL
7	2	296306670 DASH LIGHT ASSEMBLY, RED
8	1	3600116 THROTTLE CONTROL SET
9	1	296421761 ASSEMBLY, VALVE SINGLE SPOOL
10	1	294964001 GAUGE, RPM 8-DIGIT COUNTER

BOM ID	Qty	Name
11	2	294962001 ROCKER SWITCH 2P MAINT.
12	1	HM00092 GAUGE, PRESSURE 3000 PSI PANEL
13	1	HM00092 GAUGE, PRESS.3000PSI PANEL
14	1	296421758 ASSEMBLY, VALVE ROTATION FLOW
15	1	296421757 ASSEMBLY, VALVE RELIEF
16	1	296421763 ASSEMBLY, WATER VALVE
17	1	296429713 BRACKET, PIN STORAGE
18	2	U200020 WASHER, FLAT .250 ZP
19	2	U000040 SCREW, HC .250-20 X .750 ZP G5

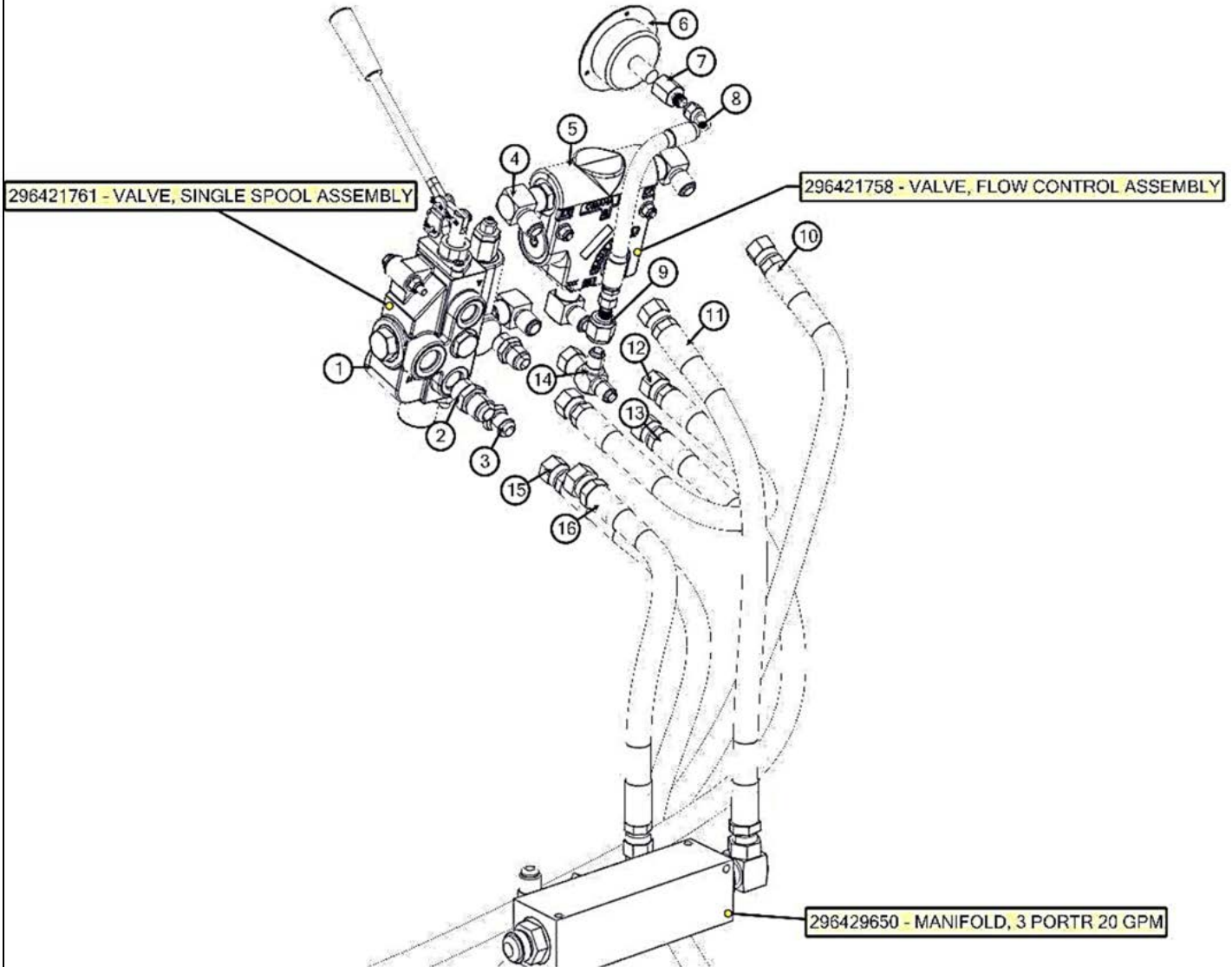
CS418 TWO SPOOL VALVE ASSEMBLY



BOM ID	Qty	Name
1	1	294983001 VALVE, TWO SPOOL
2	1	T401265 ELBOW, 90 8MB-4MJ
3	2	T400135 REDUCER, 8MB-6MJ
4	3	T400611 REDUCER, 8MB-4MJ
5	1	296429651 CHECK VALVE, 100 PSI SPRING
6	1	H6-10-10-024 HOSE #6 24"LG ST-ST

BOM ID	Qty	Name
7	1	H6-10-10-062 HOSE #6 62"LG ST-ST
8	1	H4-10-10-124 HOSE #4 124"LG ST-ST
9	1	H4-10-10-080 HOSE #4 80"LG ST-ST
10	1	H8-10-10-016 HOSE #8 16"LG ST-ST
11	1	H4-10-10-100 HOSE #4 100"LG ST-ST

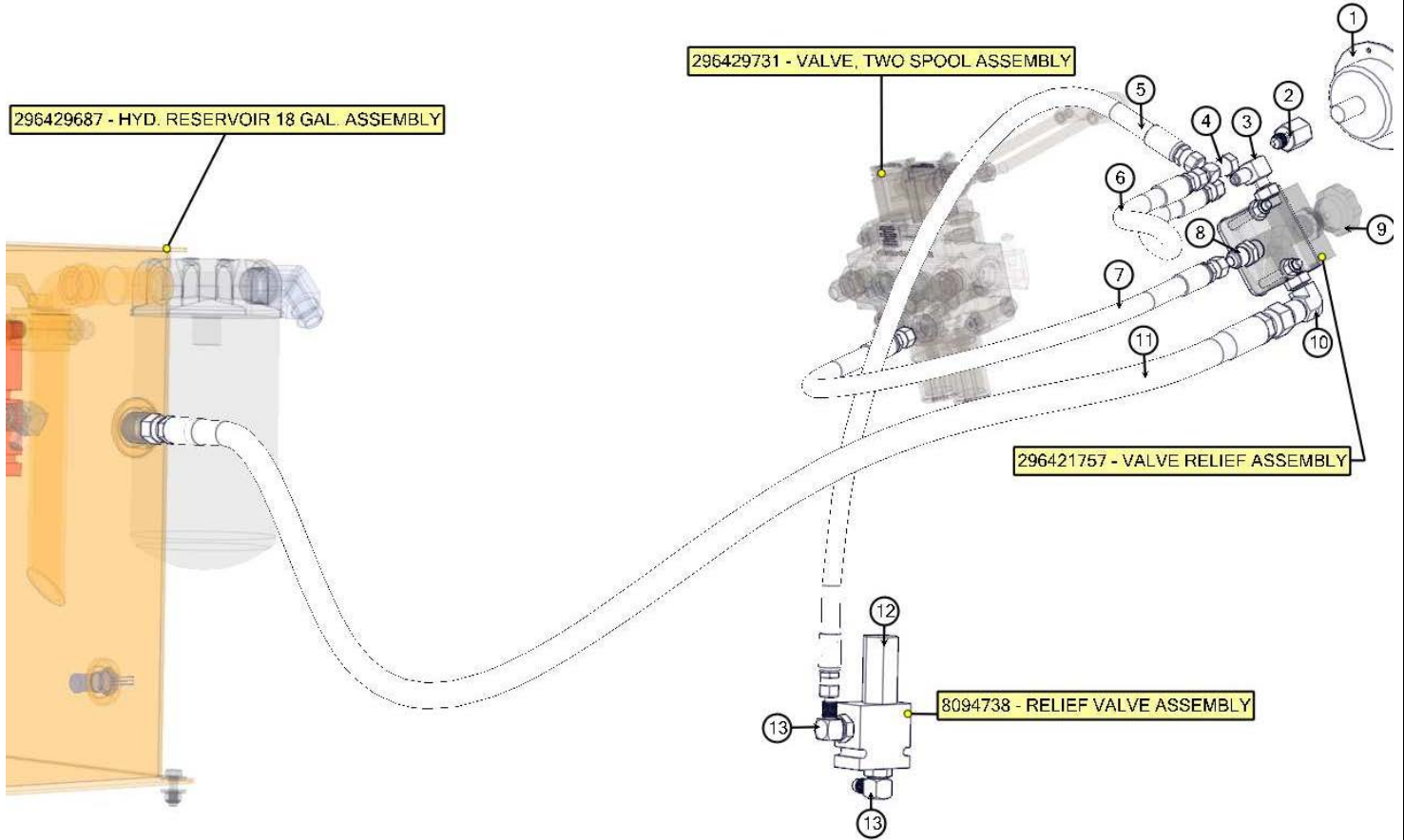
CS418 SINGLE SPOOL ASSEMBLY



BOM ID	Qty	Name
1	1	294972001 VALVE, SINGLE SPOOL
2	1	T400410 UNION, 10MB-10MJ
3	2	T400140 UNION, 8MB-8MJ
4	4	T401300 ELBOW, 90 10MB(ADJ)-8MJ
5	1	296262059 VALVE, FLOW CONTROL
6	1	HM00092 GAUGE, PRESSURE 3000 PSI PANEL
7	1	T400110 UNION 4FP_4MJ
8	1	H4-10-20-007 HOSE #4 7"LG ST-90
9	1	T400700 REDUCER, 8FJ-4MJ

BOM ID	Qty	Name
10	1	H8-10-10-116 HOSE #8 116"LG ST-ST
11	1	H8-10-10-018 HOSE #8 18"LG ST-ST
12	1	H8-10-10-016 HOSE #8 16"LG ST-ST
13	1	H6-10-10-062 HOSE #6 62"LG ST-ST
14	1	T402155 TEE 8FJ_8MJ_8MJ
15	1	H8-10-10-120 HOSE #8 120"LG ST-ST
16	1	H8-10-10-013 HOSE #8 13"LG ST-ST

CS418 CONTROL RELIEF VALVE ASSEMBLY

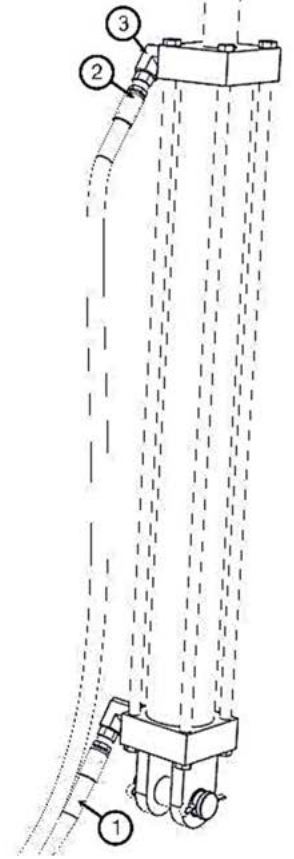
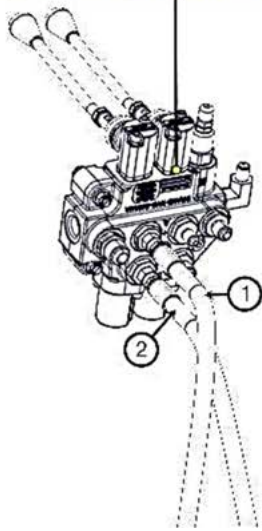


BOM ID	Qty	Name
1	1	T720012 GAUGE, PRESSURE PANEL MT 600 PSI
2	1	T400110 UNION 4FP_4MJ
3	1	T401240 ELBOW, 90 6MB(ADJ)-4MJ
4	1	T402010 TEE, 4FJ-4MJ-4MJ
5	1	H4-10-10-020 HOSE #4 20"LG ST-ST
6	1	H4-10-10-012 HOSE #4 12"LG ST-ST
7	1	H6-10-10-024 HOSE #6 24"LG ST-ST
8	1	T400037 UNION, 6MB-6MJ
9	1	296284526 FLOW REGULATOR PRES. COMP
10	1	T401260 ELBOW, 90 6MB(ADJ)-8MJ
11	1	8041489 HOSE ASSY VAC 8-60" ST-ST
12	1	296429717 VALVE, RELIEF RVS
13	2	T401100 ELBOW 90 4MP_4MJ

CS418 RELIEF VALVE ASSEMBLY

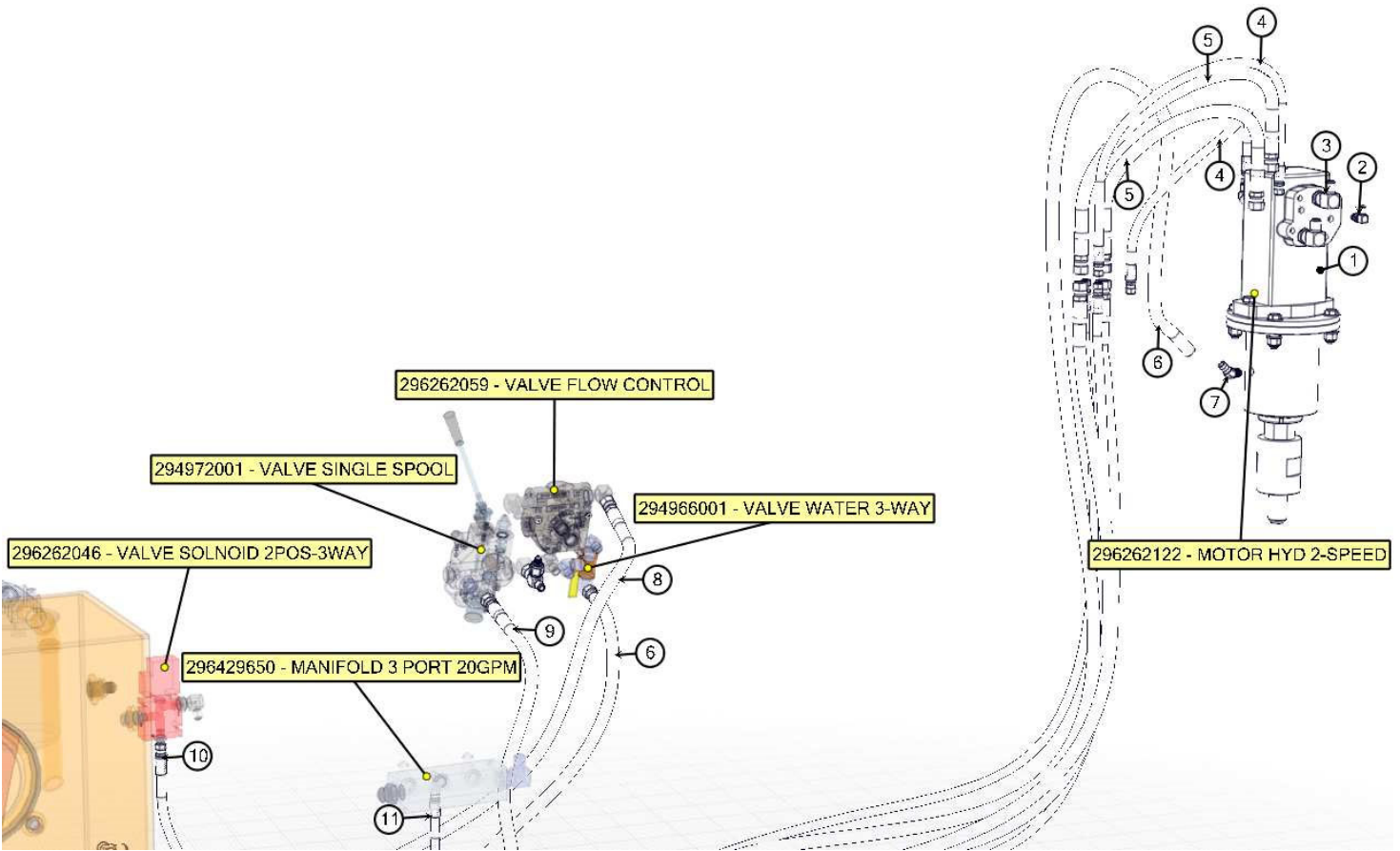
296262127 - CYLINDER, MAST SLIDE 20"

294983001 - VALVE TWO SPOOL



BOM ID	Qty	Name
1	1	H4-10-10-080 HOSE #4 80"LG ST-ST
2	1	H4-10-10-100 HOSE #4 100"LG ST-ST
3	2	T401265 ELBOW, 90 8MB-4MJ

HYD. MOTOR ASSEMBLY



BOM ID	Qty	Name
1	1	296262122 MOTOR HYD. TWO SPEED
2	2	T401230 ELBOW, 90 4MB-4MJ
3	2	T401300 ELBOW, 90 10MB-8MJ
4	2	H4-10-10-040 HOSE #4 40"LG ST-ST
5	2	H8-10-10-040 HOSE #8 40"LG ST-ST
6	1	8030540-160 HOSE VAC PUSH 8-160"LG
7	1	296262093 ELBOW 45 4MP_8HB
8	1	H8-10-10-116 HOSE #8 116"LG ST-ST
9	1	H8-10-10-120 HOSE #8 120"LG ST-ST
10	1	8042354 HOSE ASSY VAC 4-160" ST-ST
11	1	H4-10-10-100 HOSE #4 100"LG ST-ST

PAGE LEFT BLANK

WARRANTY RETURN GOODS POLICY

LIMITED WARRANTY

The Manufacturer warrants its products to be free from defects in material and workmanship for a period of twelve months from the date of shipment from the factory. The Manufacturer shall not be responsible for any damage resulting to or caused by its products by reason of installation, improper storage, unauthorized service, alteration of the products, neglect or abuse, or use of the product in a manner inconsistent with its design. The warranty does not extend to any component parts not manufactured by Manufacturer; however, Manufacturer's warranty herein shall not limit any warranties made by manufacturers of component parts which extend to Buyer.

Claims for defects in material and workmanship shall be made in writing to Manufacturer within ten days of discovery of defect. Manufacturer may either send a service representative or have the product returned to its factory at Buyer's expense for inspection. Upon notification of defect, Manufacturer will issue a return goods authorization number to Buyer. The return goods authorization number must accompany the product returned. If judged by the Manufacturer to be defective in material or workmanship, the product will be replaced or repaired at the option of the Manufacturer, free from all charges except authorized transportation. Buyer shall be responsible for all maintenance services consisting of lubrication and cleaning of equipment, replacing expandable parts, making minor adjustments, and performing operating checks, all in accordance with procedures outlined in Manufacturer's maintenance literature.

THE FOREGOING WARRANTY IS IN LIEU OF ALL OTHER WARRANTIES AND NO REPRESENTATIONS, GUARANTEES, OR WARRANTIES, EXPRESS OR IMPLIED, (INCLUDING BUT NOT LIMITED TO A WARRANTY OF MERCHANTABILITY OR FITNESS FOR A PARTICULAR PURPOSE), ARE MADE BY THE MANUFACTURER IN CONNECTION WITH THE MANUFACTURE OR SALE OF ITS PRODUCTS. NO EMPLOYEE, DISTRIBUTOR, OR REPRESENTATIVE IS AUTHORIZED TO CHANGE THIS WARRANTY ON BEHALF OF MANUFACTURER.

THE REMEDIES OF BUYER SET FORTH HEREIN ARE EXCLUSIVE AND ARE IN LIEU OF ALL OTHER REMEDIES. THE LIABILITY OF MANUFACTURER WHETHER IN CONTRACT, TORT, UNDER ANY WARRANTY, OR

OTHERWISE SHALL NOT EXTEND BEYOND ITS OBLIGATION TO REPAIR OR REPLACE, AT ITS OPTION ANY PRODUCT OR PART FOUND BY MANUFACTURER TO BE DEFECTIVE IN MATERIAL OR WORKMANSHIP. MANUFACTURER SHALL NOT BE LIABLE FOR COST OF INSTALLATION AND/OR REMOVAL OR BE RESPONSIBLE FOR DIRECT, INDIRECT, SPECIAL OR CONSEQUENTIAL DAMAGES OF ANY NATURE.

GENERAL RETURNS OF MERCHANDISE

1. All returns must be pre-authorized
 - A. Please call our parts department for an RGA number
 - B. Please include RGA number on the outside of box
 - C. Include any required paper work or special instructions
 - D. Items returned without an RGA number will not be accepted
2. All returns are subject to a 20% restock charge.
3. Special items are non-returnable
 - A. Non-stock parts
 - B. Custom parts
 - C. If you are unsure about a parts status when ordering, ask your McLaughlin representative if the item fits on of the above conditions.
4. Items must be returned within thirty days of original order date.
5. Items not returned within 30 days from the date of RGA is issued will not be accepted.
6. The item(s) must be in new condition. Used item(s) are not returnable.

Maintenance Record

DATE

SERVICE PERFORMED

BY

_____	_____	_____
_____	_____	_____
_____	_____	_____
_____	_____	_____
_____	_____	_____
_____	_____	_____
_____	_____	_____
_____	_____	_____
_____	_____	_____
_____	_____	_____
_____	_____	_____
_____	_____	_____
_____	_____	_____
_____	_____	_____
_____	_____	_____
_____	_____	_____
_____	_____	_____
_____	_____	_____
_____	_____	_____
_____	_____	_____
_____	_____	_____
_____	_____	_____
_____	_____	_____
_____	_____	_____
_____	_____	_____
_____	_____	_____
_____	_____	_____
_____	_____	_____

FOR SCHEMATICS SEE: www.mclaughlinunderground