



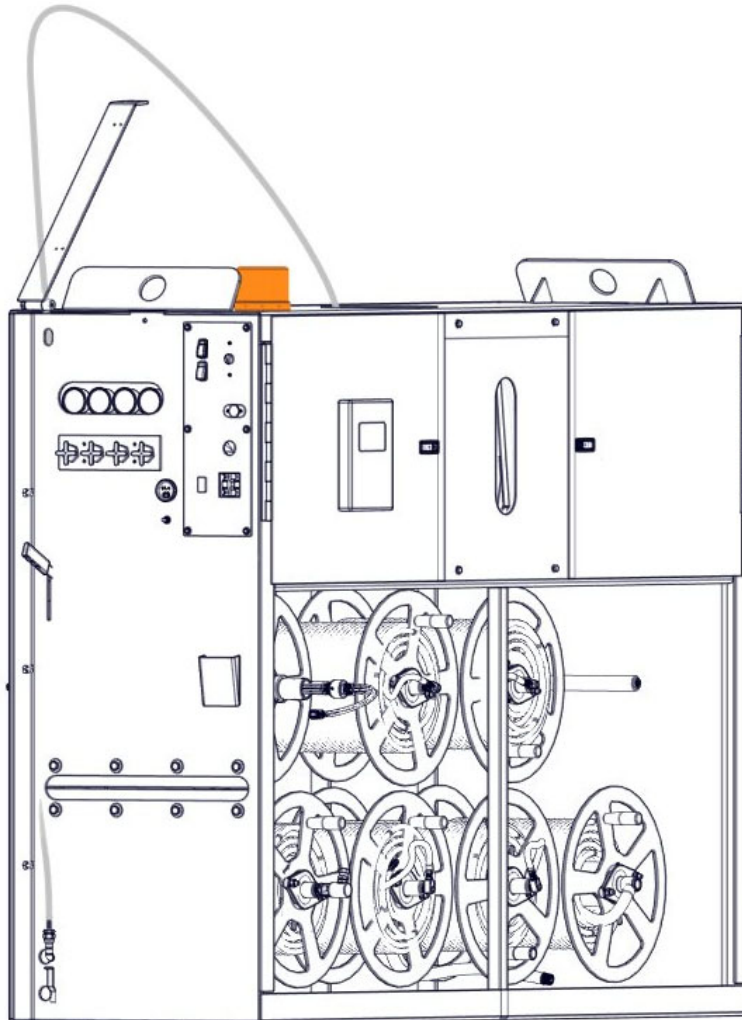
# McLAUGHLIN<sup>®</sup>

## BORING SYSTEMS

2006 Perimeter Rd. Greenville, SC 29605  
Toll Free: 800-435-9340 – Phone: 864-277-5870  
Fax: 864-235-9661 – [www.mightymole.com](http://www.mightymole.com)  
Email: [mmole@mightymole.com](mailto:mmole@mightymole.com)

**MODEL: Control Station**  
**MACHINE SERIAL NO: OTSCS 200035 AND LATER**

**MANUAL PART NO.: E851105**



Machine Serial # \_\_\_\_\_  
Purchased & Serviced Thru: \_\_\_\_\_  
Purchased Date: \_\_\_\_\_

© 2019 by McLaughlin Group, Inc. All rights reserved. No part of this manual may be reproduced in any form or by any means without prior written permission from the McLaughlin Group, Inc..

**WARNING:** Battery posts, terminals and related accessories contain lead and lead compounds, chemicals known to the State of California to cause cancer and birth defects or other reproductive harm. Wash hands after handling.

**TABLE OF CONTENTS**  
**CONTROL STATION**

<b>DESCRIPTION</b>	<b>PAGE</b>
Decal Placement .....	5
<b>Machine Assemblies, Parts Details</b>	
Control Station .....	7
Control Station Reels .....	9
Electrical Assembly .....	11
Hydraulic Assembly .....	13
Water Assembly .....	15
<b>Machine Assemblies, Parts Details</b>	
SRS Control Station .....	19
SRS Reel Layout .....	20
SRS Oil Assembly .....	21



**PAGE LEFT BLANK**

**DECAL PLACEMENT**  
**CONTROL STATION**



J200465



J200518



J200518

**DECAL PLACEMENT**  
**CONTROL STATION**



J200215

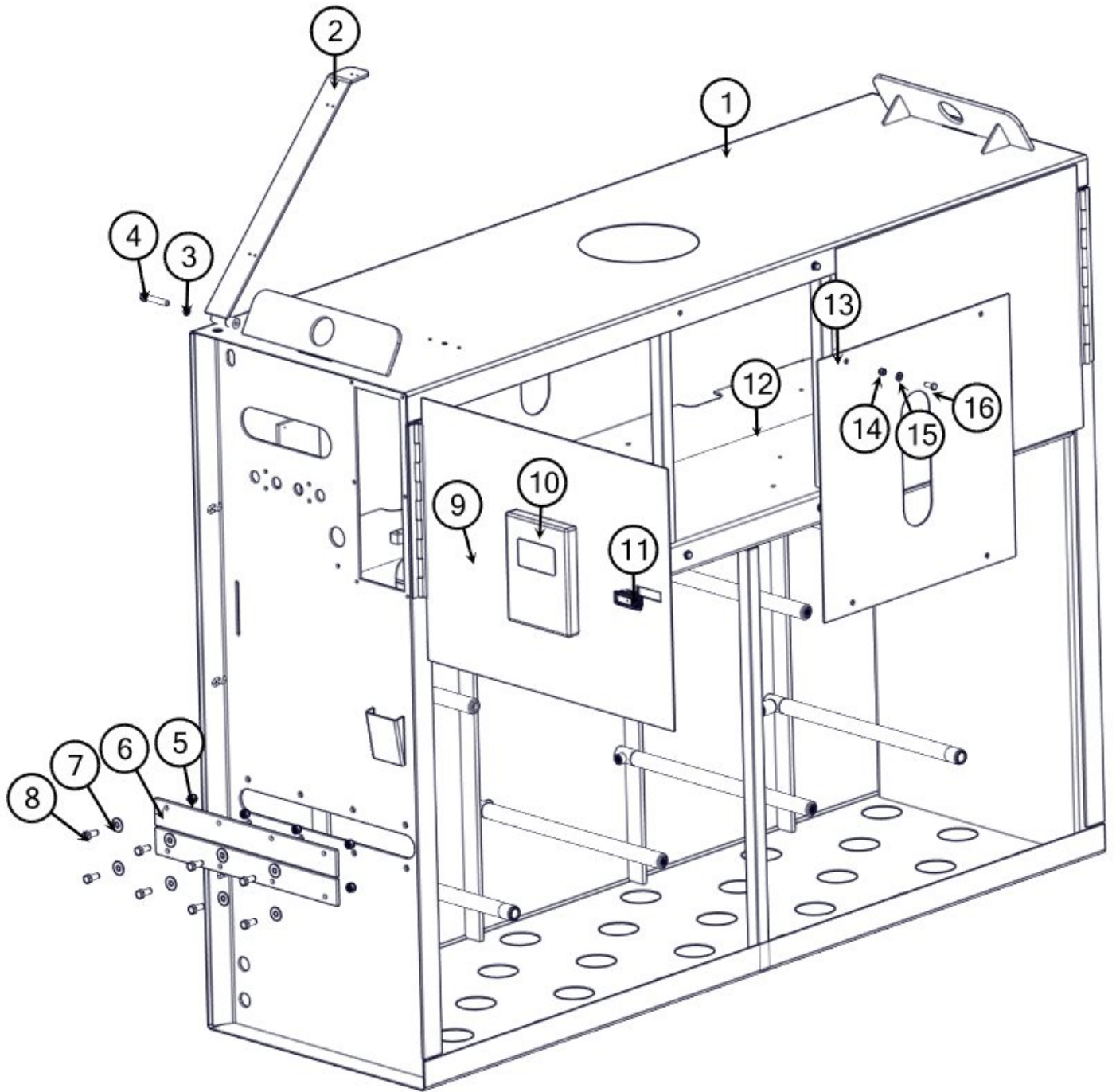


J200216



C501004

# CONTROL STATION CONTROL STATION ASSEMBLY

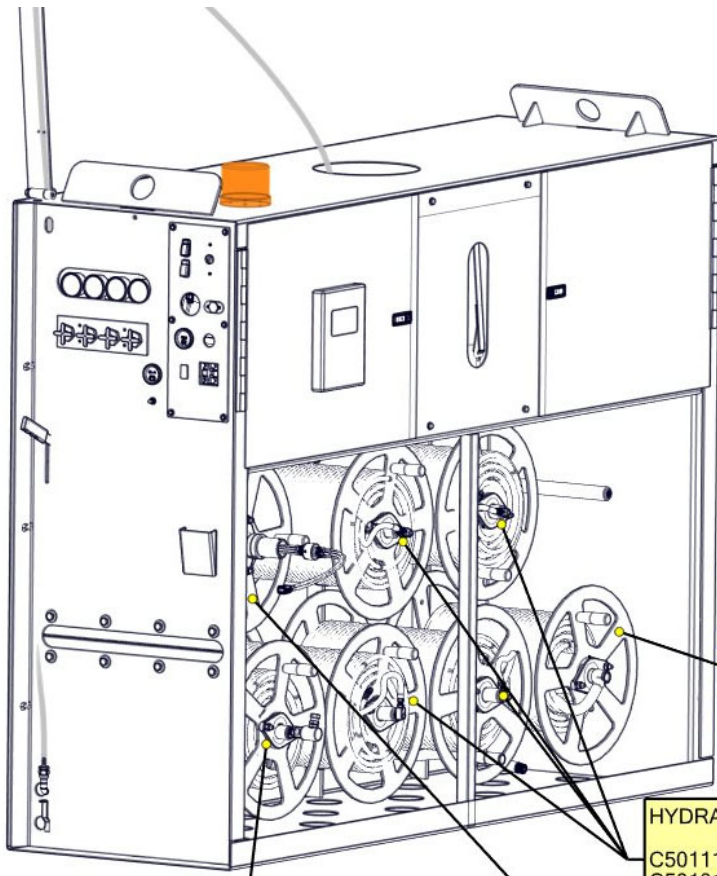




**CONTROL STATION**  
**CONTROL STATION ASSEMBLY**

BOM ID	Qty	Name
1	1	C502060 WELDMENT, CONTROL STATION CABINET
2	1	C501942 WELDMENT, VERTICAL BAR
3	1	U210111 WASHER LOCK .500
4	1	U000930 SCREW, HC .500-13 X 3.00 ZP G5
5	8	U160018 NUT, LOCK .500-13 NY ZP
6	2	C502011 HOSE GROMMET, RUBBER
7	8	U200100 WASHER FLAT .500 ZP
8	8	U000820 SCREW, HC .500-13 X 1.25 ZP G5
9	1	C501636 TOOL KIT
10	1	E250210 BOX, SAFETY, MANUAL
11	2	8048788 LATCH COMPRESSION C2
12	1	C501320 EXTENSION ROD HANGER
13	1	C502009 COVER, WATER TANK
14	4	U120110 NUT, LOCK .375-16 NY ZP
15	5	U200600 WASHER FLAT .375
16	5	U000420 SCREW, HC .375-16 X 1.00 ZP G5

## CONTROL STATION REEL LAYOUT



### BENTONITE REEL

C502411	1	HOSE, ASSY 3/4" RED X 200' 200PSI
C502410	1	SWIVEL, WATER 3/4"MP X 3/4"MP 90 DEG
T410190	2	FITTING, 3/4"MP X 3/4"HOSE
T300140-048.00	1	HOSE, WIRE BRAID #12 X 48"LG
C502057	1	REEL KNOB

### HYDRAULIC REEL (X4)

C501113	4	HOSE, 6500PSI #4 X 150' W/FITTINGS
C501011	1	OIL SWIVEL
C502057	1	REEL KNOB

### ELECTRICAL REEL

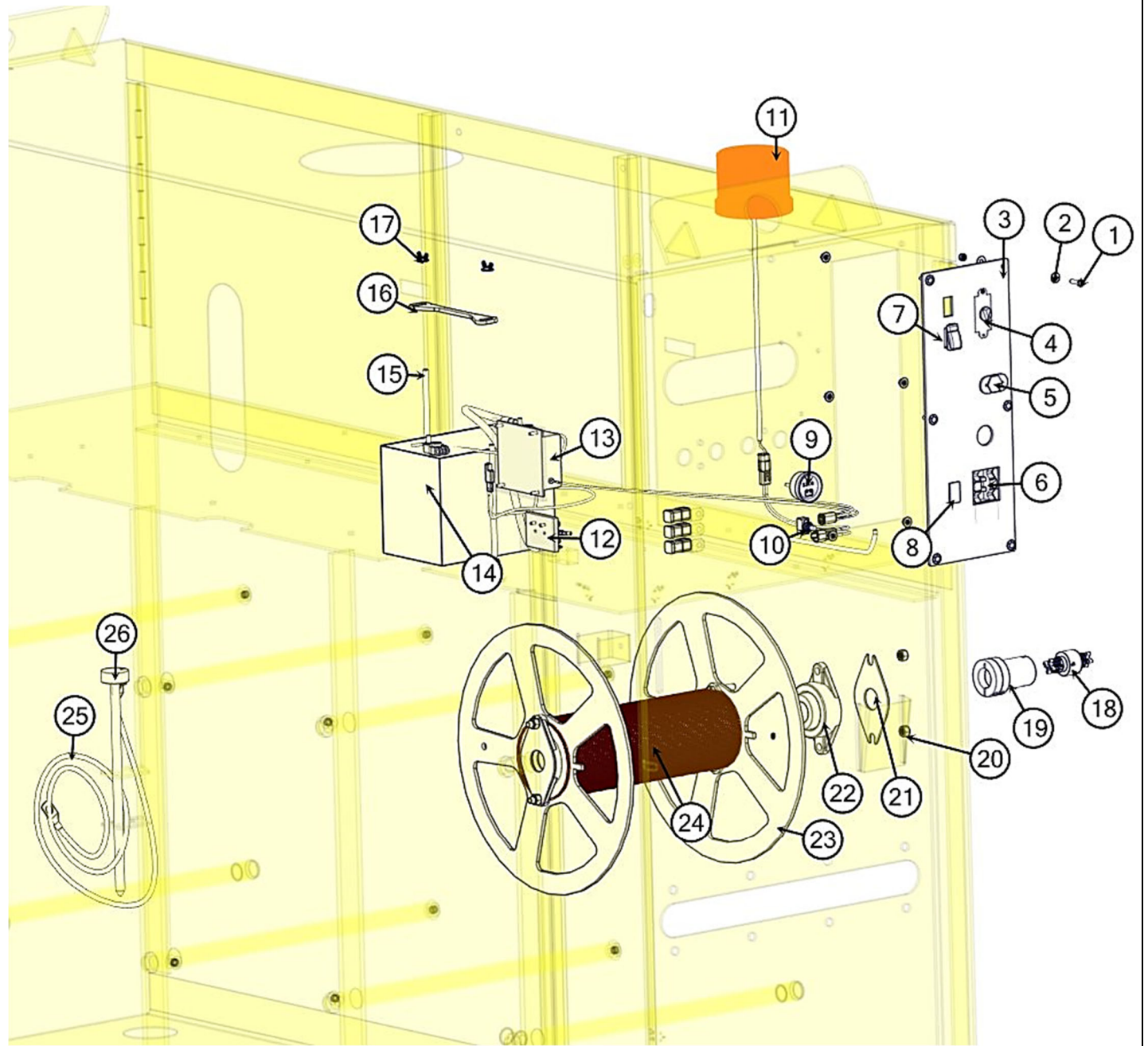
X100106	1	WIRE, #14 STRAND - 2 WIRE BLACK & RED X 250FT
C502242	1	SWIVEL SHAFT, 8 POLE
C502065	1	COLLECTOR RING, CONT. STA. SRS
C502057	1	REEL KNOB

### WATER REEL

C501119	3	HOSE, ASSY WATER 3/8 X 150 FT
C501014	1	WATER SWIVEL, 1/2" 90 DEG
T404030	1	REDUCER, 3/4"MP - 1/2"MP
T400024	1	ADAPTER, STR. 8MP - 6FP STEEL GALV.
T400813	1	UNION, 6MP - 6FJ
C502057	1	REEL KNOB

**PAGE LEFT BLANK**

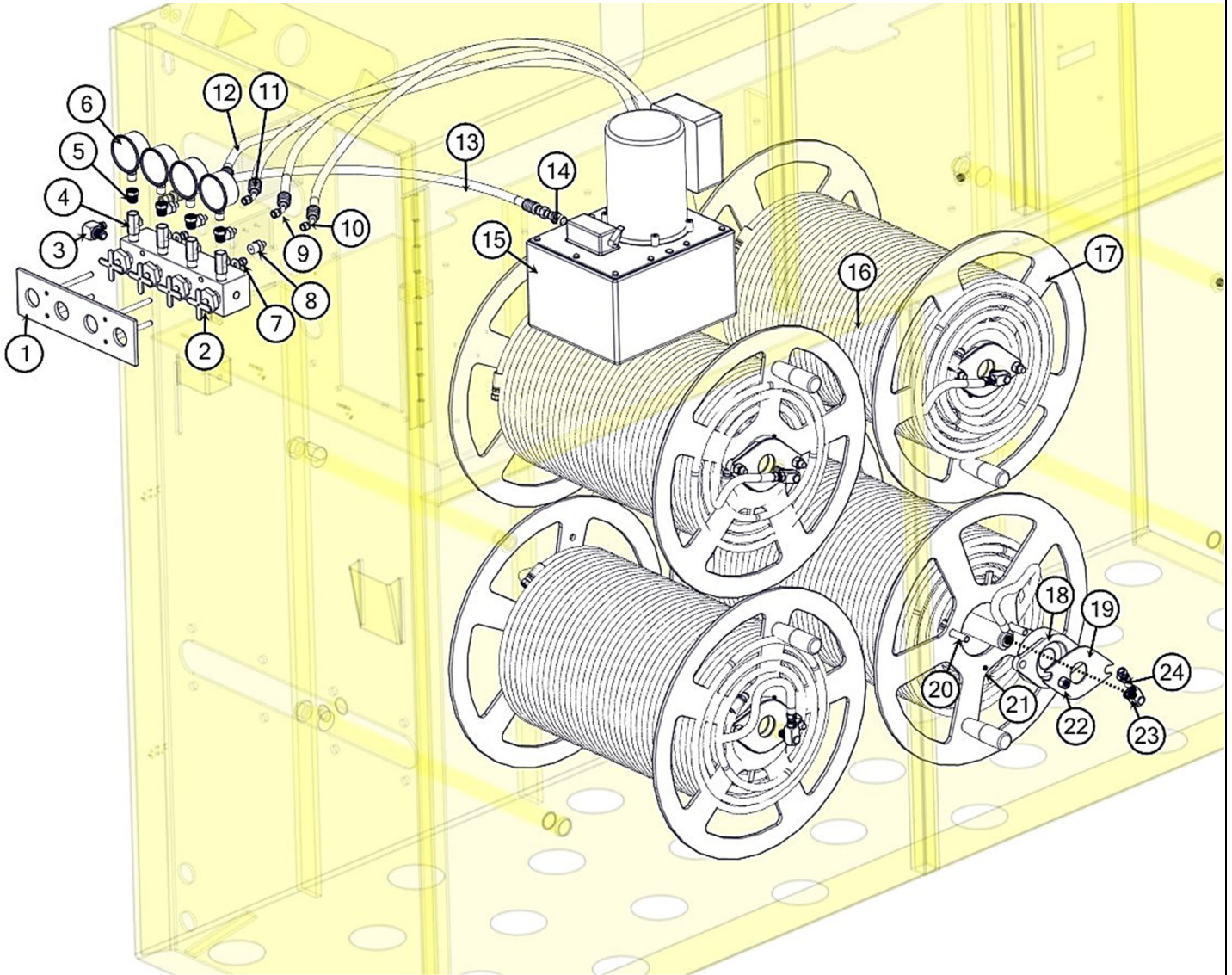
# CONTROL STATION ELECTRICAL ASSEMBLY



**CONTROL STATION**  
**ELECTRICAL ASSEMBLY**

BOM ID	Qty	Name
1	6	U000060 SCREW, HC .250-20 X 1.00 ZP G5
2	12	U200020 WASHER FLAT .250 ZP
3	1	C502232 CONTROL PANEL WELDMENT
4	1	C502072 TIMER, CONTROL STATION
5	1	4800829 POWER OUTLET, ACCESSORY(LIGHT)
6	1	C501017 CORD, GFCI 20A
7	1	X000271 SWITCH ROCKER DPST 0N-NONE-ON
8	1	X000290 PLUG ROCKER HOLE
9	1	C502070 VOLT METER, DIGITAL
10	1	8041268 SWITCH, MOMENTARY (ON) - OFF
11	1	C501405 LIGHT, BEACON AMBER 110V
12	1	4800803 FUSE PANEL, 6 POLE, SPADE STYLE
13	1	C501153 BATTERY MAINTAINER, 5A, DELTRAN 110V TO 12V
14	1	X400020 BATTERY, MT-34 24 - 54
15	2	C501368 ROD, Z BATTERY HOLD DOWN
16	1	8050016 STRAP, FOR BATTERY
17	2	U130040 NUT, WING .375-16 ZP G2
18	1	C502065 COLLECTOR RING, 8 POLE WIRE CONDUCTOR
19	1	C502242 SWIVEL SHAFT, 8 POLE
20	4	U100100 NUT, HEX .438-14 ZP G2
21	2	C501373 GRIP CLAMP WELDMENT
22	2	C501015 BEARING, FLANGE, 1.5"2 BOLT
23	1	C502015 ASSEMBLY, ELECT. REEL
24	1	X100106 WIRE,#14 STRAND 2 WIRE BLACK & RED X 250FT
25	1	8080254 STRIKE ALERT, SENSING STK CABLE
26	1	8080253 STRIKE ALERT, SENSING

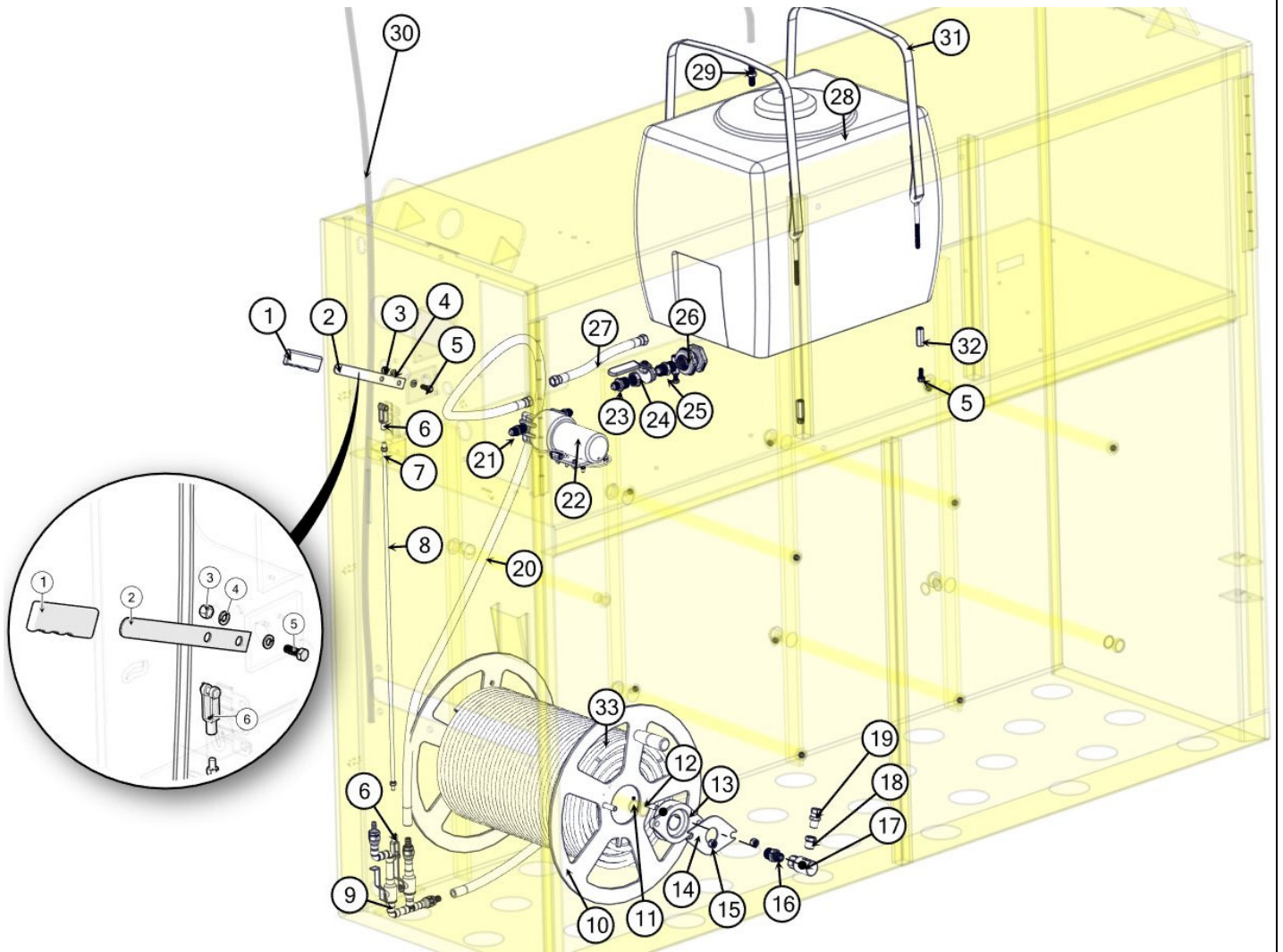
# CONTROL STATION HYDRAULIC ASSEMBLY



**CONTROL STATION  
HYDRAULIC ASSEMBLY**

BOM ID	Qty	Name
1	1	C502235 WELDMENT, MANIFOLD MOUNT
2	1	C501009 MANIFOLD, 4 BANK NEEDLE VLVE
3	1	T401102 ELBOW, 90 3/8"MP-3/8"MJ (6MP-6MJ)
4	4	T402175 TEE, 3/8"MP X 3/8"FP X 3/8"FP
5	4	T400023 REDUCER, 3/8"MP-1/4"FP (6MP-4FP)
6	4	C501112 GAUGE,PRESS.10000PSI 1/4 NPT END FTG
7	4	U110040 NUT, HEX .312-18 NY ZP G2
8	4	T400025 REDUCER, 3/8"MP-1/4"MJ
9	1	C502587 HOSE, WIRE BRAID 4-85.00" LG
10	1	C502586 HOSE, WIRE BRAID 4-75.00" LG
11	1	C502586 HOSE, WIRE BRAID 4-75.00" LG
12	1	C502587 HOSE, WIRE BRAID 4-85.00" LG
13	1	C502585 HOSE, WIRE BRAID 6-25.00" LG
14	1	T400028 UNION, 3/8"MP-3/8"MJ
15	1	C501949 HYDRAULIC PUMP, 110V PL TANK RELIEF 6600 PSI PE172M
16	4	C501113 HOSE,6500PSI #4 150FT END FTGS #4 MALE JIC/#4 FEM JIC
17	4	C502027 ASSEMBLY, WATER REEL
18	8	C501015 BEARING, FLANGE 1.5" 2 BOLT
19	8	C501373 GRIP CLAMP WELDMENT
20	16	U000800 SCREW, HC .438-14 X 2.00 ZP G5
21	8	U024015 SCREW, SET .25-28 X .25 NYLOC
22	16	U100100 NUT, HEX .438-14 ZP G2
23	8	C501011 OIL SWIVEL
24	6	T400043 UNION, 1/4MP - 1/4FJ SWIVEL

# **CONTROL STATION** **WATER ASSEMBLY**



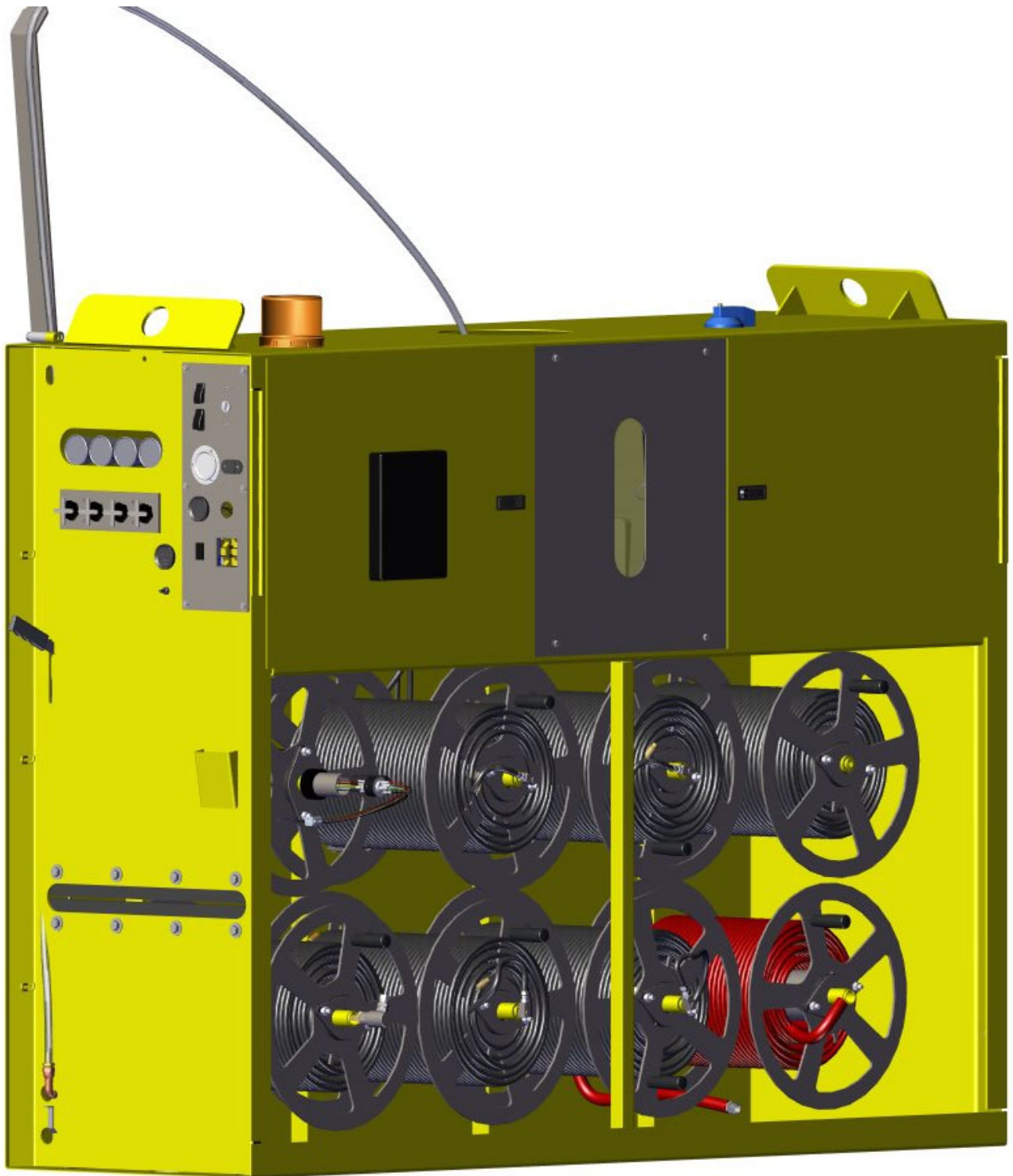


**CONTROL STATION**  
**WATER ASSEMBLY**

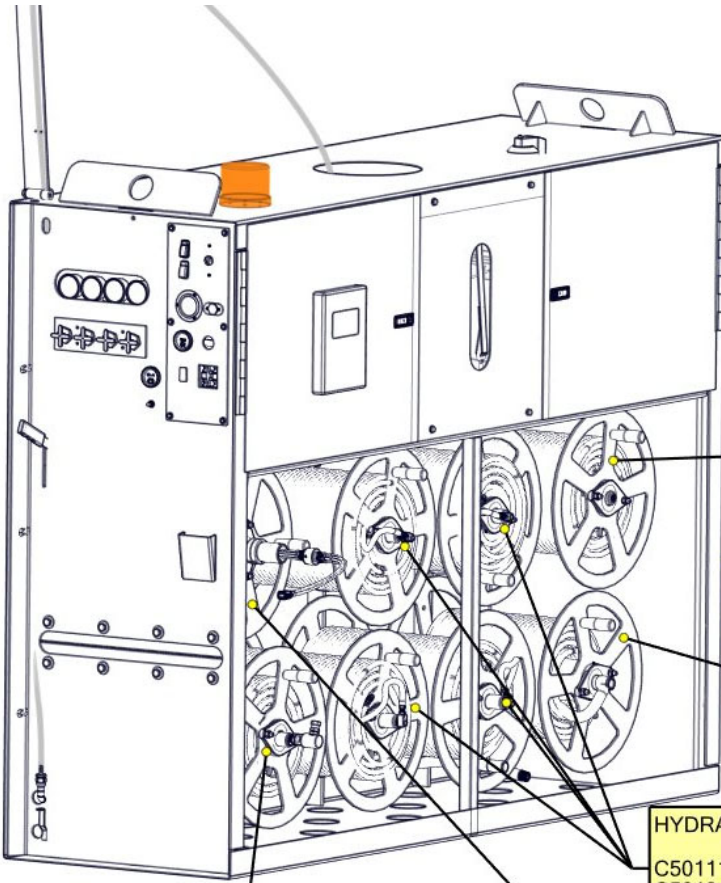
BOM ID	Qty	Name
1	1	C502303 GRIP GROOVED RECTANGULAR
2	1	C502049 LEVER, WATER CONTROL
3	1	U120110 NUT, LOCK .375-16 NY ZP
4	5	U210060 WASHER LOCK .375 ZP
5	5	U000420 SCREW, HC .375-16 X 1.00 ZP G5
6	2	C502047 YOKE, END 2 1/4 X 5/16-18
7	2	U110040 NUT, HEX .312-18 NY ZP G2
8	1	C502050 WATER CONTROL ROD
9	1	C502051 ASSEMBLY, CHART TUBE
10	1	C502027 ASSEMBLY, WATER REEL
11	2	U024015 SCREW, SET .25-28 X .25 NYLOC
12	4	U000800 SCREW, HC .438-14 X 2.00 ZP G5
13	2	C501015 BEARING, FLANGE 1.5" 2 BOLT
14	2	C501373 GRIP CLAMP WELDMENT
15	4	U100100 NUT, HEX .438-14 ZP G2
16	1	T404030 REDUCER, 3/4"MP-1/2"MP
17	1	C501014 WATER SWIVEL, 1/2 90 DEG SUPER SWIVEL
18	1	T400024 REDUCER, 1/2"MP-3/8"FP
19	1	T400813 UNION, 3/8"MP-3/8"FJ
20	1	8030540-083.00 HOSE,PUSH ON #8 X 83"LG
21	2	T400040 UNION, 1/2"MP-1/2"MJ
22	1	C501917 PUMP, WATER, 12V, HI PRESS
23	1	T400080 REDUCER, 3/4"MP-1/2"MJ
24	1	T000185 VALVE, BALL 3/4" FNPT BRASS W/FULL PORT
25	1	T400800 UNION 12MP-12MP
26	1	8041148 BULKHEAD 3/4" NPT PLASTIC
27	1	8030540-08.500 HOSE,PUSH ON #8 X 8.50"LG
28	1	C502061 WATER TANK, 30 GALLON SQ
29	1	T400391 BULKHEAD 6MJ_6MJ
30	1	T300255-150.00 HOSE, CLEAR VINYL 3/8"ID X 150"LG
31	2	8043758 STRAP, EYEBOLT 1" X 55" OAL
32	4	U100065 NUT, HEX, COUPLING, 3/8-16
33	1	C501119 HOSE ASSY, WATER 3/8" X 150'

**PAGE LEFT BLANK**

# SRS CONTROL STATION



## SRS CONTROL STATION REEL LAYOUT



### SRS REEL ASSEMBLY

C502422	3	HOSE, 5300PSI 6 X 150'
C501011	1	OIL SWIVEL, HR SWIVEL
C502057	1	REEL KNOB

### BENTONITE REEL

C502411	1	HOSE, ASSY 3/4" RED X 200' 200PSI
C502410	1	SWIVEL, WATER 3/4"MP X 3/4"MP 90 DEG
T410190	2	FITTING, 3/4"MP X 3/4"HOSE
T300140-048.00	1	HOSE, WIRE BRAID #12 X 48"LG
C502057	1	REEL KNOB

### HYDRAULIC REEL (X4)

C501113	4	HOSE, 6500PSI #4 X 150' W/FITTINGS
C501011	1	OIL SWIVEL
C502057	1	REEL KNOB

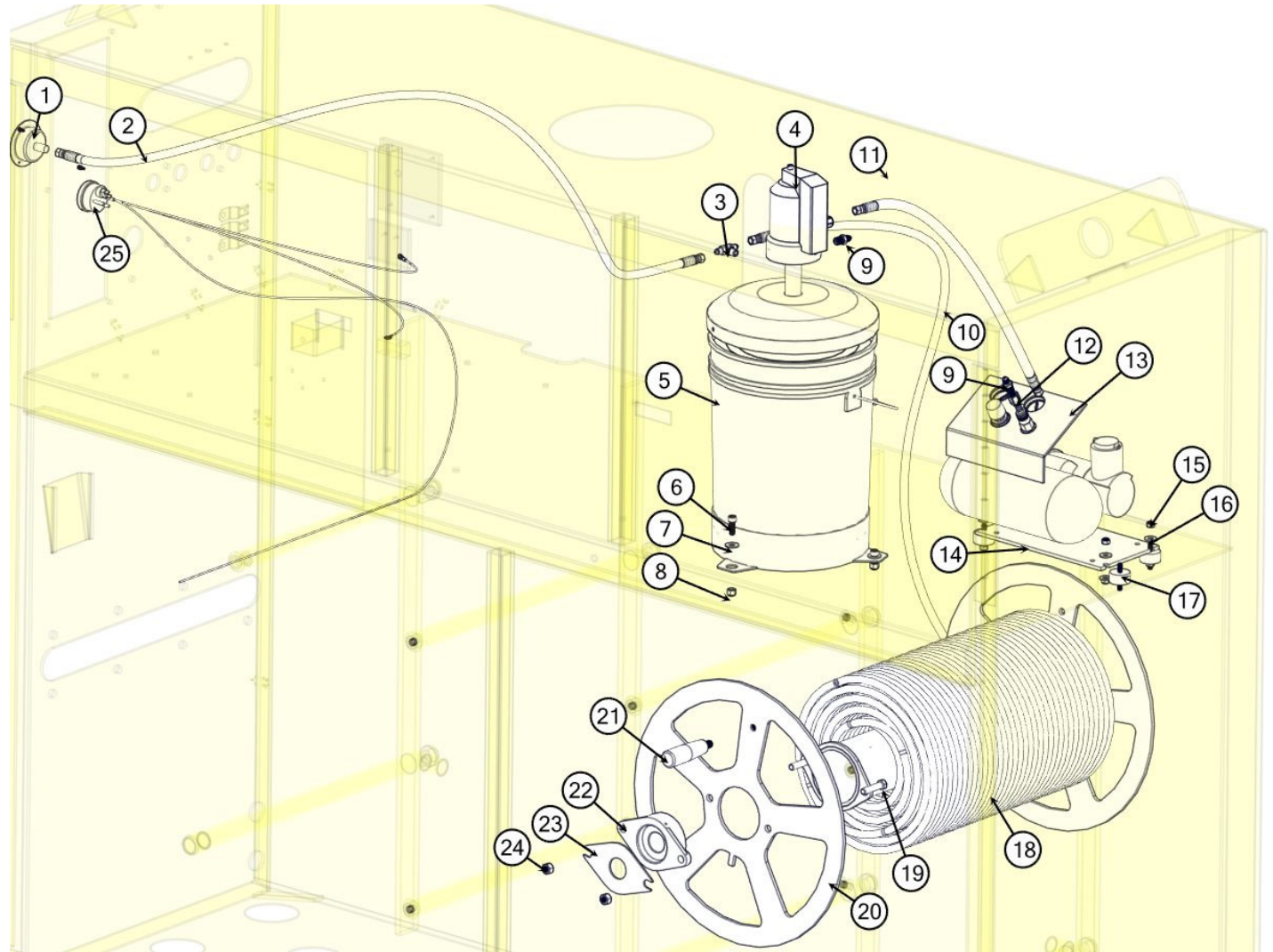
### WATER REEL

C501119	3	HOSE, ASSY WATER 3/8 X 150 FT
C501014	1	WATER SWIVEL, 1/2" 90 DEG
T404030	1	REDUCER, 3/4"MP - 1/2"MP
T400024	1	ADAPTER, STR. 8MP - 6FP STEEL GALV.
T400813	1	UNION, 6MP - 6FJ
C502057	1	REEL KNOB

### ELECTRICAL REEL

X100106	1	WIRE, #14 STRAND - 2 WIRE BLACK & RED X 250FT
C502242	1	SWIVEL SHAFT, 8 POLE
C502065	1	COLLECTOR RING, CONT. STA. SRS
C502057	1	REEL KNOB

# SRS CONTROL STATION OIL ASSEMBLY



**SRS CONTROL STATION**  
**OIL ASSEMBLY**

BOM ID	Qty	Name
1	1	4810723 GAUGE, PRESS.6000PSI
2	1	C502590 HOSE, WIRE BRAIDED #4 X 80"LG
3	1	T402038 TEE, 1/4"MJ-1/4"MJ-1/4"MP
4	1	C502064 PUMP, GREASE CS SRS
5	1	L300040 PALE, 5 GAL GREASE
6	3	U010080 SCREW, HSH .375-16 X 1.00 ZP
7	3	U200060 WASHER FLAT .375 ZP
8	3	U120110 NUT, LOCK .375-16 NY ZP
9	2	T400020 UNION, 1/4"MP-1/4"MJ STRAIGHT
10	1	C502591 HOSE, WIRE BRAID #4 X 50"LG
11	1	C502589 HOSE, WIRE BRAIDED #4 X 36"LG
12	1	T411121 QUICK DISC,MALE, AIR 3/8" FNPT UNIVERSAL
13	1	C502062 AIR COMP. CONTROL STATION,
14	1	C502239 COMPRESSOR MOUNT PLATE
15	8	U110040 NUT, HEX .312-18 NY ZP G2
16	8	U200040 WASHER FLAT .312 ZP
17	4	4800277 ISOLATOR
18	1	C502422 HOSE,5300PSI,-6,150FT,END FTGS (x3)
19	4	U000800 SCREW, HC .438-14 X 2.00 ZP G5
20	2	C502014 REEL SIDE PLATE
21	1	C502057 REEL KNOB
22	2	C501015 BEARING, FLANGE,1.5" 2 BOLT
23	2	C501373 GRIP CLAMP WELDMENT
24	4	U100100 NUT, HEX .438-14 ZP G2
25	1	C502608 TEMPERATURE GAUGE WIRING

**PAGE LEFT BLANK**

