



McLAUGHLIN®

2006 Perimeter Road. Greenville, SC 29605
Toll Free: 800/435-9340 - Phone: 864/277-5870
Fax: 864/235-9661 - Website address: www.mightymole.com
Email address: mmole@mightymole.com

Parts Manual
Vermeer/ McLaughlin SKID V800HD
Vacuum Machine
Jetter Option
Boom Option
SERIAL NO. 8DHDSJB030807828

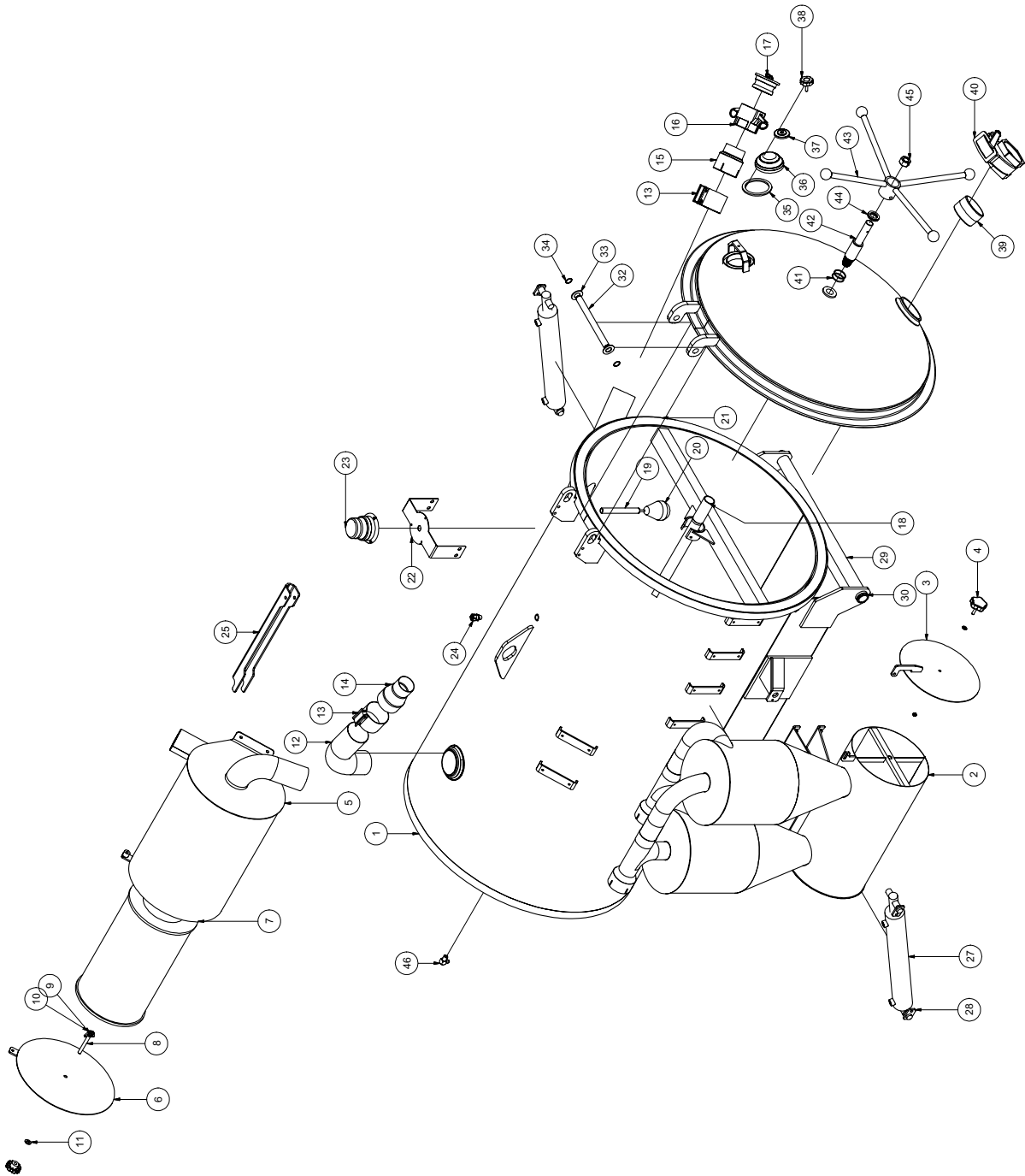
© 2006 by McLaughlin Group, Inc.

031507

All rights reserved. No part of this manual may be reproduced in any form, or by any means without prior written permission of McLaughlin Group, Inc.

Tank and Door Assembly

V800HD



VACASSY006

Tank and Door Assembly

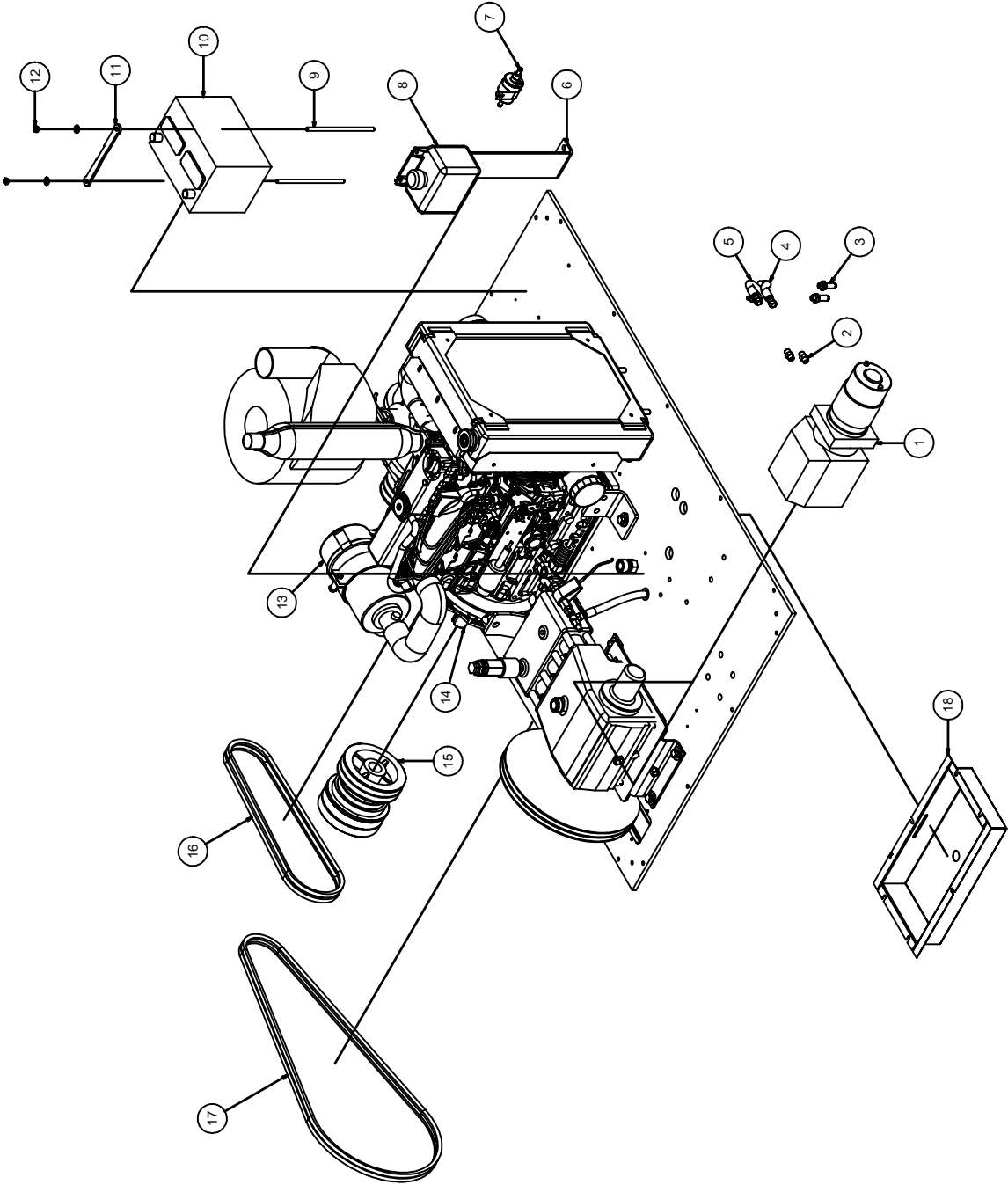
V800HD

ITEM#	QTY	NUMBER	DESCRIPTION	ITEM#	QTY	NUMBER	DESCRIPTION
1	1	8041220	TANK	24	1	X000113	1/2" STRAIN RELIEF
2	1	8040911	CYCLONE SEPARATOR HOUSING	25	1	8041212	SAFETY PROP ROD
	4	U000420	SCREW, HC 3/8-16 X 1.00		1	8041213	CLIP,SAFETY
	4	U200600	WASHER, FLAT 3/8"	26			N/A
3	1	8041272	CYCLONE SEPARATOR DOOR	27	2	8030359	SPOIL TANK HYDRAULIC CYLINDER
	1	8041444	CYCLONE SEPARATOR DOOR SEAL		4	T401270	ELBOW, 90 8MB-6MJ
4	1	8041197	CYCLONE KNOB		1	8041475	HOSE ASSY VAC 6-130 ST-90
	1	8041231	WASHER, BONDED SEALING 3/8"		1	8041476	HOSE ASSY VAC 6-150 ST-90
	1	U210061	NUT, HEX NY 3/8"-16		1	8041477	HOSE ASSY VAC 6-140 ST-ST
5	1	8040469	AIR FILTER HOUSING		1	8041478	HOSE ASSY VAC 6-160 ST-ST
	4	U000420	SCREW, HC 3/8-16 X 1.00	28	4	8030128	CYLINDER PIN
	4	U200600	WASHER, FLAT 3/8"		4	U000400	SCREW, HC 3/8-16 X 0.75
6	1	8041541	AIR FILTER HOUSING DOOR		4	U210060	WASHER, LOCK 3/8"
	1	8041450	AIR FILTER HOUSING DOOR SEAL	29	1	8030038	TANK PIVOT ROD
	1	8041218	AIR FILTER KNOB	30	2	8030363	2" SPIRAL SNAP RING
7	1	8031293	AIR FILTER ELEMENT	31	1	8041228	DOOR
8	1	8040302	THREADED ROD	32	1	8040058	DOOR HINGE ROD
9	1	U200100	WASHER, FLAT 1/2"	33	5	U200171	DOOR HINGE WASHER
10	1	8041219	WING NUT, 1/2-13	34	2	8030362	1" SNAP RING
11	1	8041232	BONDED SEALING WASHER	35	1	8032007	4" COUPLER GASKET
12	1	8040786	EXHAUST ELBOW	36	1	8031048	SIGHT GLASS
13			N/A	37	1	8031047	SIGHT GLASS PLATE
14			N/A	38	1	8031046	SIGHT GLASS HAND WHEEL
15	1	8040991	4" SUCTION PORT ADAPTER	39	1	8030431	4" CLOSE NIPPLE
16	1	8030846	4" FEMALE COUPLER	40	1	8030916	GATE VALVE
17	1	8032006	4" COUPLING PLUG	41	2	W200120	ORING #225 BUNA
	1	8041485	LANYARD CABLE	42	1	8040306	DOOR STRIKER
18	1	8041428	TANK ROD	43	1	8040235	DOOR HANDLE
	1	8030446	O-RING #328 BUNA		2	U010040	SCREW, HSH 5/16-18 X 0.50
	4	U000880	SCREW, HC 1/2-13 X 2.00		4	J400060	KNOB
	4	U100120	NUT, HEX 1/2-13	44	3	8030174	SPACER
	8	U200100	WASHER, FLAT 1/2"	45	1	U120060	LOCKNUT, NYLON 1" - 8
	3	U010055	SCREW, HSH 5/16-18 X 1.50	46	1	8030498	ELBOW, 90 3/8MP 3/8MJ
	4	8030369	TANK CLEANOUT NOZZLES	*	1	8041479	HOSE VAC KANAFLEX 4-52
19	1	8041471	HIGH LEVEL FLOAT SWITCH TUBE	*	1	8041480	HOSE VAC KANAFLEX 4-60
	1	8041291	BUSHING, RUBBER	*	1	8041481	HOSE VAC KANAFLEX 4-180
20	1	8030531	HIGH LEVEL FLOAT SWITCH	*	1	8041482	CABLE VAC SO4-312
21	1	8041178	DOOR SEAL	*	1	8031242	WORK LIGHT
22	1	8040017	STROBE LIGHT BRACKET	*	1	8041354	BRACKET, CLEARANCE LIGHT
	4	U000880	SCREW, HC 1/2-13 X 2.00	*	1	8041509	TANK CLEARANCE LIGHT
	4	U200100	WASHER, FLAT 1/2"	*	1	8041839	DOOR SEAL GLUE
	4	U210111	WASHER, LOCK 1/2"				
	4	U100120	NUT, HEX 1/2-13				
23	1	8030347	STROBE LIGHT				
	3	U010006	SCREW, PHILLIPS #10-24 X 1"				
	3	U210005	WASHER, LOCK #10				
	3	U100010	NUT, HEX #10-24				

* ITEM NOT SHOWN

VACASSY006

Power Pack Assembly



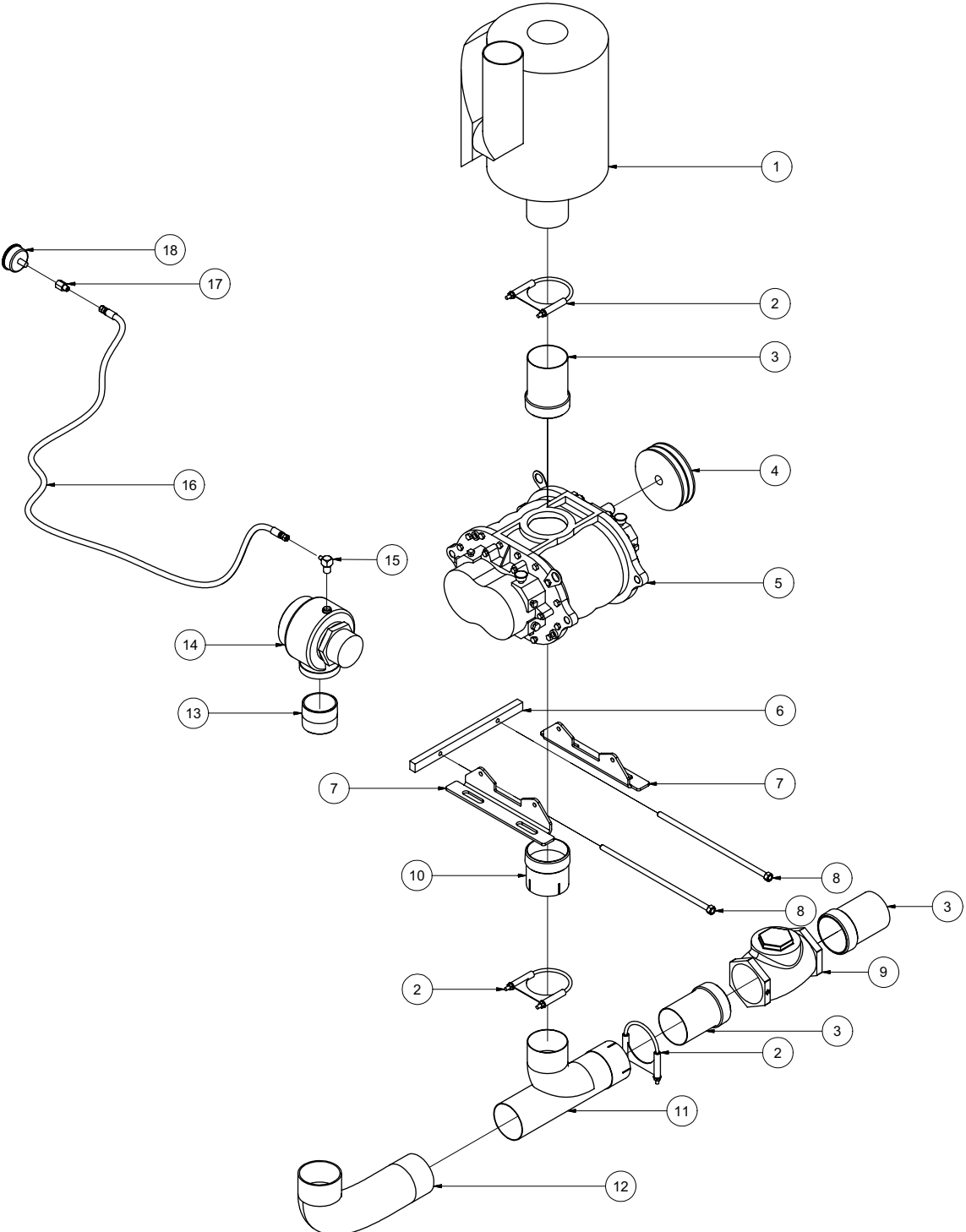
Power Pack Assembly

ITEM	QTY	NUMBER	DESCRIPTION
1	1	8041601	HYDRAULIC POWER PACK, 12V (KTI), SIX QUART
	2	U000420	SCREW, HC 3/8"-16 X 1"
	2	U210060	WASHER, LOCK 3/8"
	2	U200600	WASHER, FLAT 3/8"
2	2	T400037	UNION 6MB-6MJ
3	2	T400391	BULKHEAD 6MP 6MP
4	2	8040973	HOSE ASSY VAC 6-20 ST-90
5	2	8040973	HOSE ASSY VAC 6-20 ST-90
6	1	8040577	WATER REGULATOR/OVERFLOW BRACKET
	2	U000817	SCREW, HC 1/2"-13 X 1"
	2	U210100	WASHER, LOCK 1/2"
	2	U200100	WASHER, FLAT 1/2"
7	1	8041056	PUMP, ELECTRIC FUEL
8	1	8040645	TANK, OVERFLOW COOLANT
	3	U000040	SCREW, HC 1/4"-20 X 3/4"
	6	U200020	WASHER, FLAT 1/4"
	3	U210020	WASHER, LOCK 1/4"
	3	U100020	NUT, HEX 1/4"-20
9	2	8040684	ROD, BATTERY HOLD DOWN
10	1	X400020	MT-34R 12V BATTERY
	1	X300110	CABLE BATTERY #711431 14"
	1	X300001	CABLE BATTERY #714134 41 1/2"
11	1	8050016	BATTERY HOLD DOWN
12	2	U130040	NUT, WING 3/8"-16
	2	U200060	WASHER, FLAT 3/8
13	1	8041054	KUBOTA AIR FILTER ELEMENT (PRIMARY)
	1	8041055	KUBOTA AIR FILTER ELEMENT (SECONDARY)
14	1	8030908	KUBOTA V3300
	1	8030908-1	MUFFLER
	4	U000820	SCREW, HC 1/2"-13 X 1 1/4"
	4	U210100	WASHER, LOCK 1/2"
	4	U200100	WASHER, FLAT 1/2"
	1	8041053	KUBOTA FUEL FILTER
	1	8041473	HOSE VAC FUEL 5/16-18
	2	8041472	HOSE VAC FUEL 5/16-72
	6	U800015	CLAMP, HOSE 04 - 5/8"
	1	8041474	HOSE VAC FUEL 5/16-14
	2	U800015	CLAMP, HOSE 04 - 5/8"
15	1	8031120	SHOTTON ELECTRIC CLUTCH
	1	U410125	KEY 3/8" X 3/8" X 2"
16	2	8041812	BELT BX52
17	2	8041811	BELT BX82
18	1	8040694	DRIP PAN 73HP
	8	U000040	SCREW, HC 1/4 - 20 X .750
	8	U210020	WASHER, LOCK 1/4"
	8	U200020	WASHER, FLAT 1/4"
*	1	8032002	KUBOTA OIL FILTER
*	4	8030904	ISOLATOR
	4	U001320	SCREW, HC 5/8-11 X 4
	4	8030851	WASHER, SNUBBING
	4	U210140	WASHER, LOCK 5/8
	4	U100180	NUT, HEX 5/8-11
	8	U000420	SCREW, HC 3/8-16 X 1
	16	U200060	WASHER, FLAT 3/8
	8	U210060	WASHER, LOCK 3/8
	8	U100060	NUT, HEX 3/8-16
*	1	X000112	CONNECTOR, PANEL 3/4 MNPT-3/4 FNPT
	1	X000109	STRAIN RELIEF, 3/4"
	1	X000108	3/4" COUPLING NUT

* NOTSHOWN

Blower Assembly For J12-30 Jetter

1025 CFM



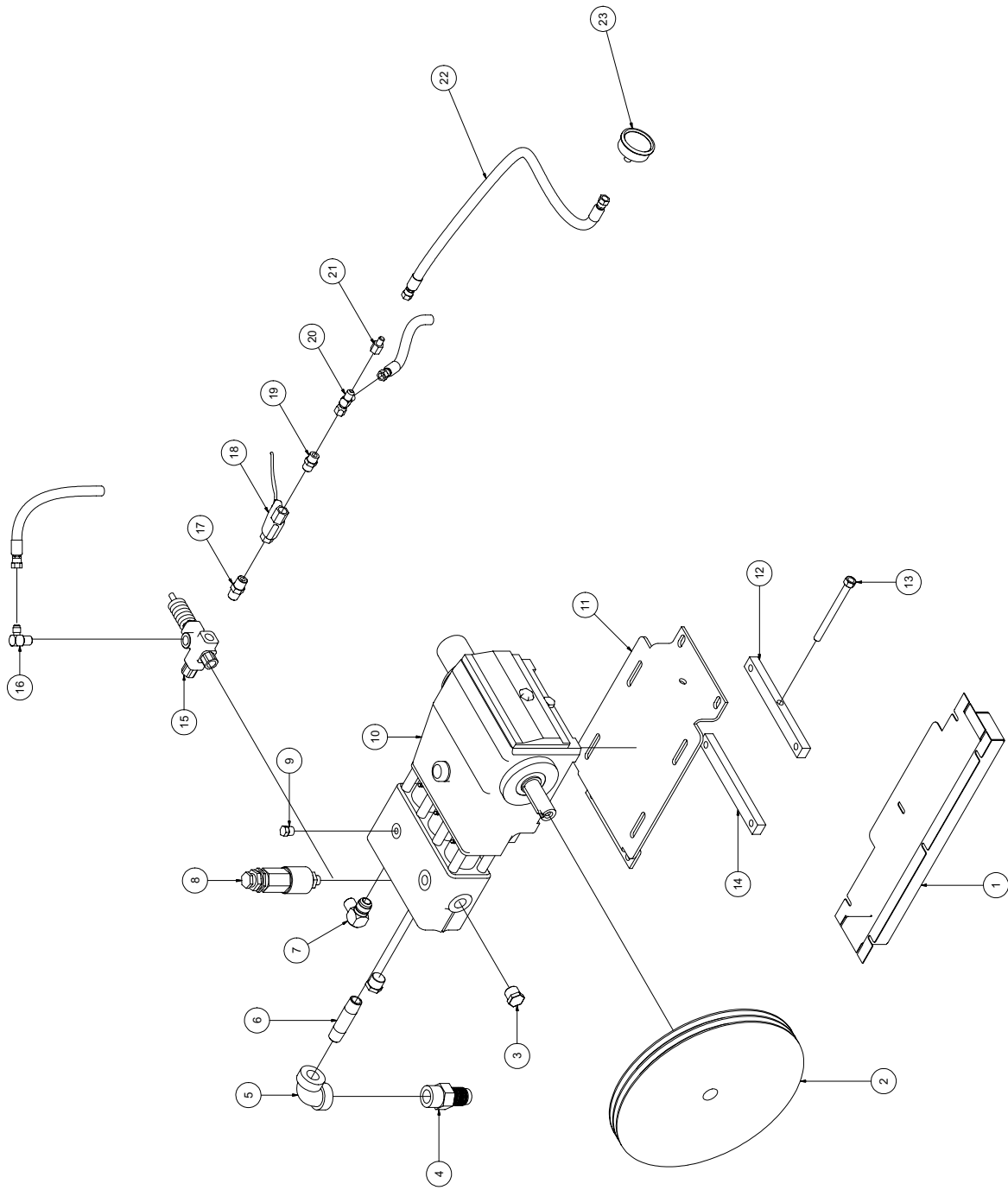
Blower Assembly For J12-30 Jetter

1025 CFM

ITEM	QTY	NUMBER	DESCRIPTION
1	1	8030917	SILENCER, 1025 CFM, COWL
2	3	8031193	4" EXHAUST CLAMP
3	2	8030560	EXHAUST ADAPTER 4" MNPT - 4"OD
4	1	8040703	SHEAVE 6.15 OD SDS 2-GROOVE
	1	8040485	BUSHING 1 1/8" SDS
	1	U410090	KEY 1/4" X 1/4" X 2 3/4"
5	1	8040001	BLOWER (MODEL 59)
	4	U000817	SCREW, HC 1/2" - 13 X 1"
	4	U210100	WASHER, LOCK 1/2"
	4	U200100	WASHER, FLAT 1/2"
6	1	8040904	TENSION BLOCK 1025CFM
7	2	8040710	BLOWER FOOT (MODEL 59)
8	2	8041507	ROD TIGHTENER WELDMENT
9	1	8041043	CHECK VALVE 4" FNPT
10	1	8040991	EXHAUST ADAPTER 4" MNPT - 4ID
11	1	8040930	WYE 4" IDOD
12	1	8041026	4" INLET HEADER HOSE
13	1	8030403	3" CLOSE NIPPLE
14	1	8030866	KUNKLE VALVE, 1025 CFM
15	1	T400590	ELBOW 6MP 4MJ
16	1	8041024	HOSE ASSY VAC 4-80 ST-ST
17	1	8030483	UNION 4FP 4MJ
18	1	8030371	VACUUM GAUGE

VACASSY208

Water Pump Assembly For J12-30 Jetter

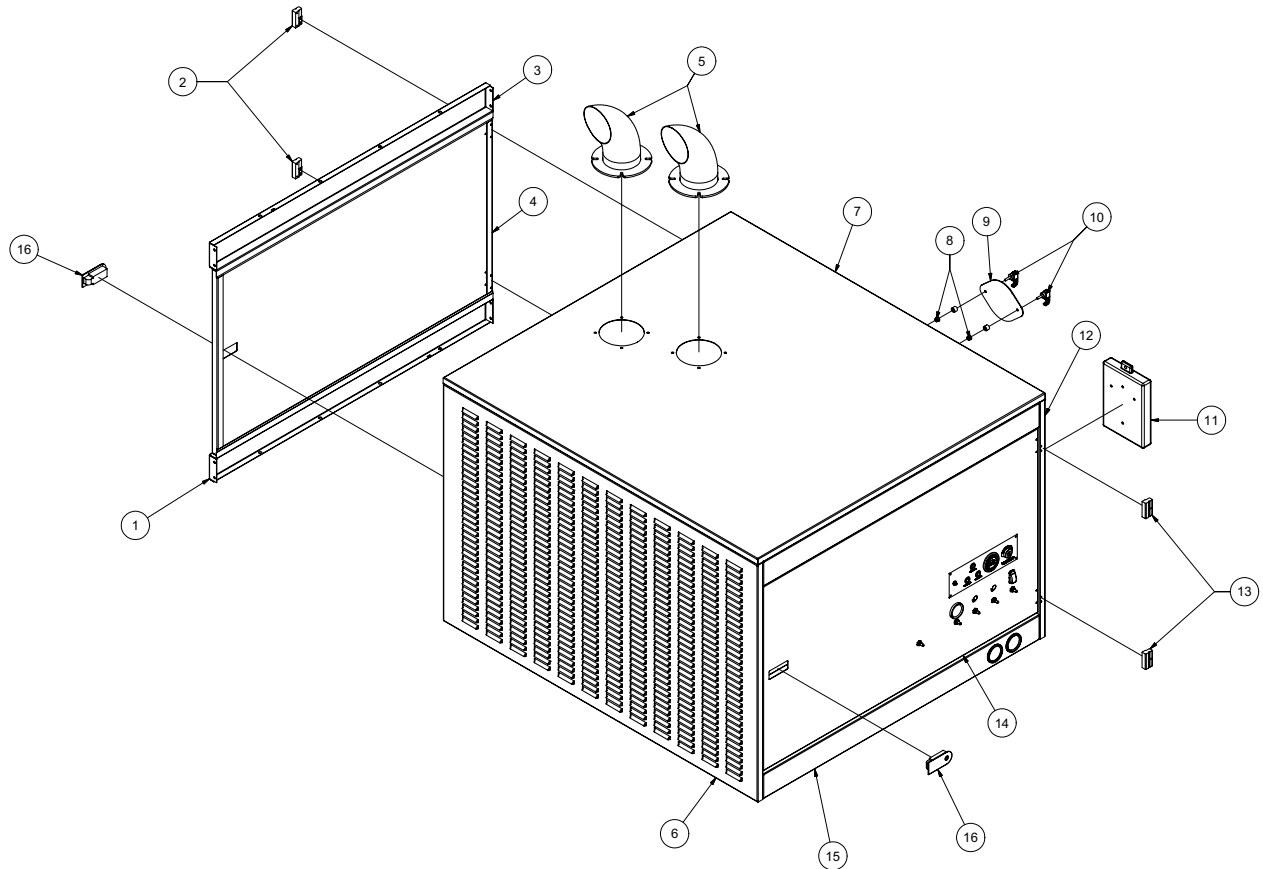


Water Pump Assembly For J12-30 Jetter

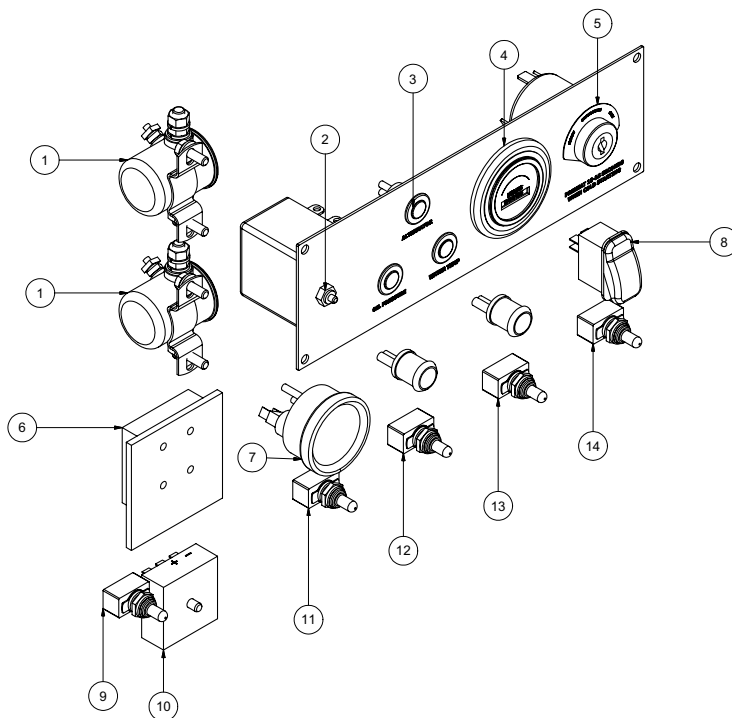
ITEM	QTY	NUMBER	DESCRIPTION
1	1	8040573	WATER PUMP PULLEY GUARD
2	1	8040643	SHEAVE 13.95" OD SK 2 - GROOVE
	1	8040644	BUSHING 30MM SK
3	2	T405065	PLUG 3/4" MP
4	1	8041312	1 1/4" HOSE BARB
5	1	T420400	ELBOW 1"FP - 1 1/4"FP
6	1	T421030	1"MP CLOSE NIPPLE
7	1	T401070	ELBOW, 3/4"MP - 1/2"MP
8	1	8040556	VALVE SAFTERY RELIEF 26GPM
9	1	T405030	PLUG 1/4" MP
10	1	8040555	WATER PUMP JETTER EKL22
	4	U000420	SCREW, HC 3/8"-16 X 1"
	4	U210060	WASHER, LOCK 3/8"
	4	U200600	WASHER, FLAT 3/8"
11	1	8040574	WATER PUMP TENSIONER PLATE
12	1	8040597	WATER PUMP ADJUSTING BLOCK
13	1	8030020	WATER PUMP TENSIONER ROD
14	1	8040598	WATER PUMP FLOATING BLOCK
15	1	8030341	UNLOADER VALVE
16	1	T401135	ELBOW 1/2"MP - #6MJ
17	1	T404020	UNION 1/2"MP - 1/2"MP
18	1	8031267	FLOW SWITCH
19	1	T400029	REDUCER 1/2"MP - #6MJ
20	1	T402153	TEE, #6MJ - #6MJ - #6FJ
21	1	T400022	REDUCER #6FJ - #4MJ
22	1		HOSE ASSY VAC 4-19 ST-ST
23	1	8030372	WATER PRESSURE GAUGE 1/4NPT

Enclosure Assembly

73HP J12-30



VACASSY407



VACASSY501

Enclosure Assembly

73HP J12-30

ITEM	QTY	NUMBER	DESCRIPTION
1	1	8041014	SIDE PANEL
2	2	8040589	OFFSET HINGE TYPE A
	8	U030525	SCREW, PAN HD #10-32X1/2
3	2	8040692	UPPER SIDE PANEL
4	1	8040700	DOOR
5	2	8041195	EXHAUST WELDMENT
6	1	8040691	BACK SHEET
7	1	8040689	TOP SHEET
8	2	U120142	NUT, FLANGED LOCK 1/4-20
9	1	8040592	RADIATER ACCESS PLATE
10	2	8040334	LATCH, SWELL
11	1	E250211	MANUAL BOX
12	1	8040690	FRONT SHEET
13	2	8040588	OFFSET HINGE TYPE B
	8	U030525	SCREW, PAN HD #10-32X1/2
14	1	8040745	DOOR, CONTROL
15	1	8041013	SIDE PANEL W/ GAUGES
16	2	8040586	LATCH, LEVER LOCKABLE
*	72	U000060	SCREW, HC 1/4-20X1
*	126	U200020	WASHER, FLAT 1/4
*	72	U210020	WASHER, LOCK 1/4
*	54	U100020	NUT, HEX 1/4-20
*	1	8041171	HANDLE
	2	U001017	SCREW, HSH 1/4-20 X 1.25
	2	U200020	WASHER, FLAT 1/4
	2	U120100	NUT, HEX LOCK 1/4-20
*	4	8041483	DOOR SEAL VERTICAL
*	4	8041484	DOOR SEAL HORIZONTAL
*		NOT SHOWN	

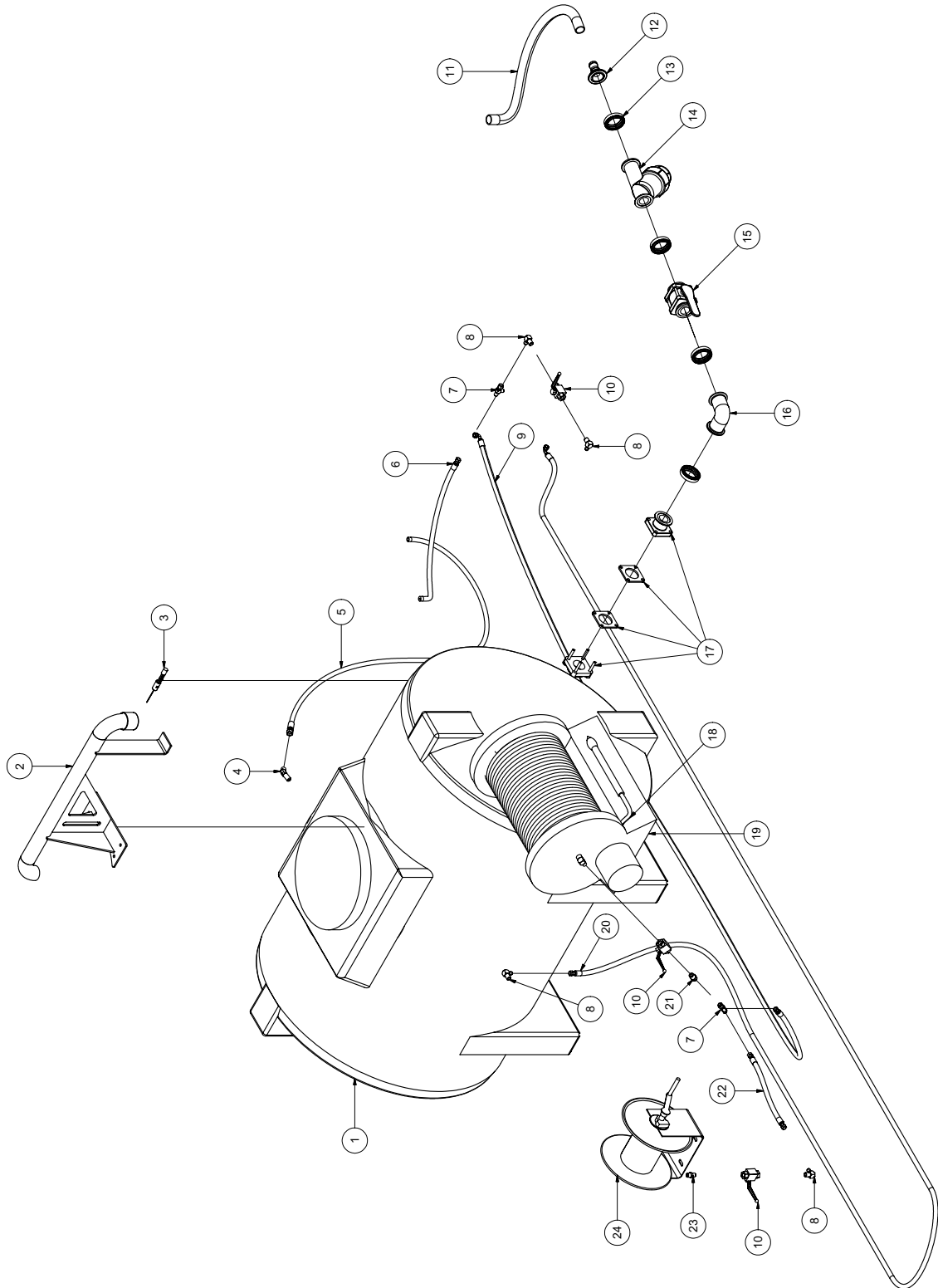
VACASSY407

ITEM	QTY	NUMBER	DESCRIPTION
1	2	8030443	80-12V SOLENOID
2	1	8030455	MURPHY SWITCH
3	5	8030457	PANEL LIGHTS
4	1	8030456	HOUR METER
5	1	8030458	KEY SWITCH
	1	8030829	KEYS
6	1	8031257	FUSE PANEL 8 POS.
	1	8030468	10 AMP FUSE
	6	8030461	5 AMP FUSE
7	1	8030330	FUEL GAUGE
8	1	X000021	ROCKER SWITCH THROTTLE HIGH/LOW
9	1	8041077	SWITCH, TANK RAISE/LOWER
10	1	8031231	SWITCH, DELAY RELAY
11	1	X000095	SWITCH, WORK LIGHTS
12	1	X000095	SWITCH, FULL TANK OVERRIDE
13	1	X000095	SWITCH, WATER PUMP CLUTCH
14	1	X000092	SWITCH, AUTOMATIC THROTTLE
*	2	8030826	INLINE 20 AMP FUSE
*	2	8030365	20 AMP FUSE
*	1	8041268	ANTIFREEZE SWITCH
*	2	8031292	DIODE NTE 5809
*		NOT SHOWN	

VACASSY501

Water Tank Assembly

410 TANK



VACASSY605

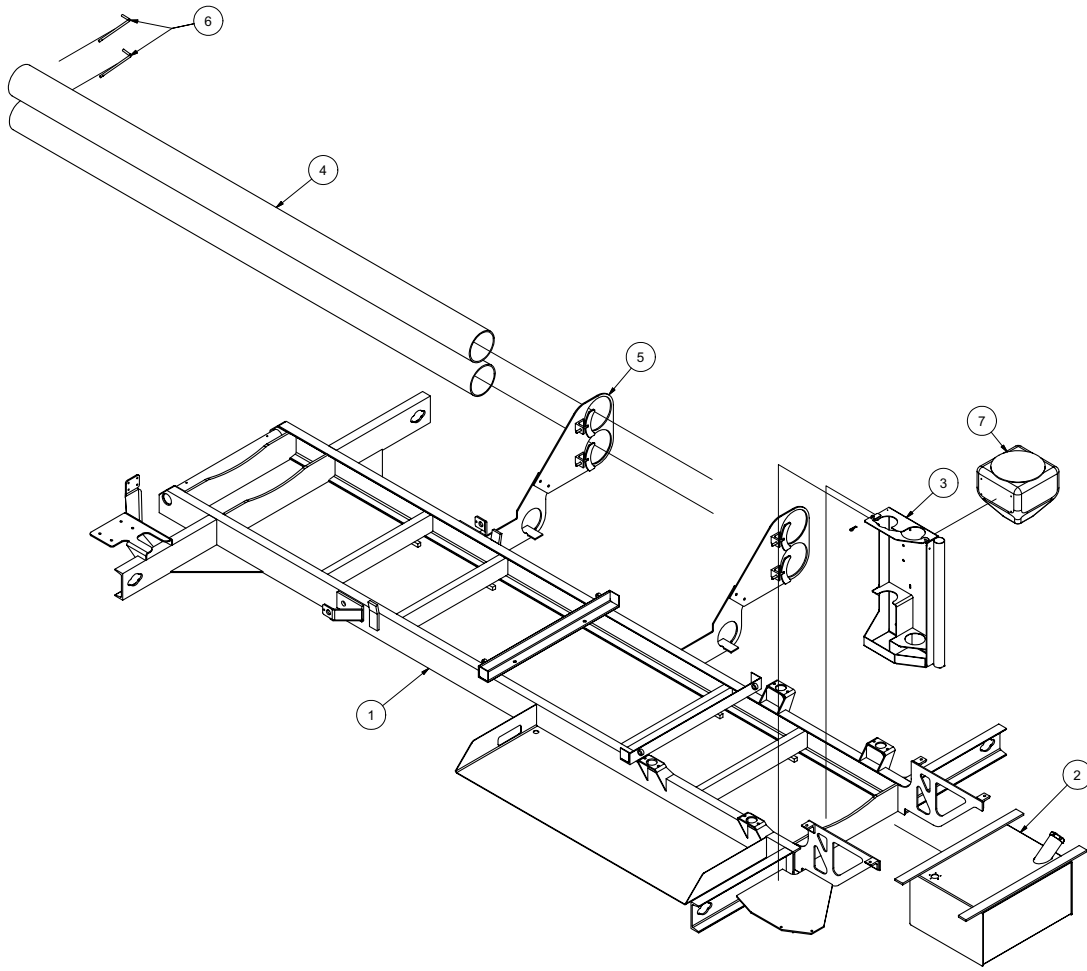
Water Tank Assembly

410 TANK

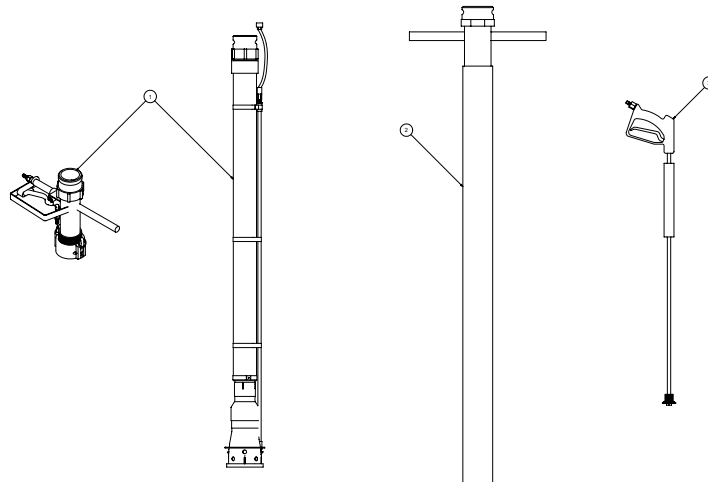
ITEM	QTY	NUMBER	DESCRIPTION
1	1	8031121	410 GALLON WATER TANK
	2	8041535	WATER TANK STRAP
	1	8031121-1	410 GALLON WATER TANK LID
2	1	8041067	QUICK FILL
	4	U000425	SCREW HC 3/8"-16 X 1"
	8	U200600	WASHER FLAT 3/8"
	4	U210060	WASHER, LOCK 3/8"
	4	U100060	NUT, HEX 3/8"-16
3	1	8030343	SWITCH, WATER SHUTOFF
4	1	8030518	1/2" BULKHEAD 45 DEG.
5	1	8042184	HOSE ASSY VAC 8-80 ST-ST
6	1	8042179	HOSE ASSY VAC 6-36 ST-ST
7	1	T402153	TEE #6MJ - #6MJ - #6FJ
8	4	T401102	ELBOW, #6MJ - 3/8"MP
9	1	8042178	HOSE ASSY VAC 6-155 ST-90
10	3	8030351	3/8" BALL VALVE
11	1	8042189	HOSE VAC CLEAR VINYL 1 1/4-36
12	1	8041999	FLANGED HOSE BARB 1 1/4" - 2"
13	4	8031000	CLAMP, WATER MANIFOLD
14	1	8031001	Y-STRAINER, 2" BANJO
15	1	8030998	BALL VALVE, 1-1/2 ID BANJO
16	1	8030995	ELBOW, 2" BANJO
17	1	80309971	FLANGE, 2" BANJO
	1	80309972	FLANGE GASKET, 2" BANJO
	1	80309972	FLANGE GASKET, 2" BANJO
	1	80309973	FLANGE BOLTED, 2" BANJO
	4	U100060	NUT, HEX 3/8-16
	4	U210060	WASHER, LOCK 3/8
18	1	8031131	1/2" X 300' JETTER HOSE
	1	8031132	1/2" X 15' LEAD JETTER HOSE
	1	8040546	12-30 JETTER NOZZLE
19	1	8031223	JETTER HOSE REEL W/GUIDES
20	1	8042177	HOSE ASSY VAC 6-254 ST-ST
21	1	T400028	UNION 3/8"MP - #6MJ
22	1	8041785	HOSE ASSY VAC 6-18 ST-ST
23	1	T400803	UNION 3/8"MP - 3/8"MP
24	1	8030346	HOSE REEL
	4	U000420	SCREW, HC 3/8"-16 X 1.0
	8	U200060	WASHER, FLAT 3/8"
	4	U210060	WASHER, LOCK 3/8"

VACASSY605

Skid Assembly



Tools



VACASSY702

Skid Assembly

ITEM	QTY	NUMBER	DESCRIPTION
1	1	8042254	SKID 800
2	1	8040763	FUEL TANK (20 GAL)
	1	3620144-1	FUEL CAP
	1	8030697	FUEL SENDING UNIT
	1	8030656	FUEL FILTER
3	1	8040985	TOOL RACK
	1	8040989	TOOL RACK CLOSURE
	1	R700175	R CLIP 7/8"
	1	8041259	STRAP, 10"
	1	8041485	LANYARD CABLE
4	2	8041102	HOSE STORAGE 6" X 10'
	2	8030925	END CAP 6"
5	2	8042257	HOSE STORAGE BRACKETS
	4	8040959	HOSE STORAGE CLAMP
	8	U200060	WASHER, FLAT 3/8
	8	U100060	NUT, HEX 3/8
6	2	8041101	HOSE STORAGE RETAINING ROD
	2	R700175	R CLIP 7/8"
	2	8041485	LANYARD CABLE
7	1	8030394	ANTI-FREEZE TANK (4 GAL)
	4	U000180	SCREW, HC 5/16"-18 X .75"
	4	U200040	WASHER, FLAT 5/16
	4	U210040	WASHER, LOCK 5/16
	1	T403100	UNION 12FP 20MP
	1	T401040	ELBOW 90 12MP 12MP
	1	8030376	BALL VALVE 3/4" FP
	1	T400080	UNION 8MJ - 12MP
	2	8030524	# 8 FJ PUSHLOCK
	1	8041470	HOSE VAC PUSH 8-36
*	2	8041263	PLASTIC STRIP
		*	NOT SHOWN

Tools

Item	Qty	Number	Description	Item	Qty	Number	Description
1	1	8041908	TOOL VAC REDUCTION HD COMPLETE	*	2	8041100	VACUUM HOSE ASSEMBLY 4" X 10'
	1	8030635	TOOL VAC HEAD ASSY 3"		1	8030844	BANJO 4" MALE
	2	8030486	QUICK DISCONNECT SS		1	8030846	BANJO 4" FEMALE
	1	8031079	BANJO 3" MALE		2	8030560	HOSE ADAPTER 4"
	1	8030392	BANJO 3" FEMALE		1	8040339	VACCUM HOSE 4" KANAFLEX
	1	8030928	TRIGGER ASSEMBLY	*	1	8041080	ADAPTER 3" TO 4"
	1	8041099	TOOL VAC REDUCTION HD LOWER ASSY	*	1	8041830	HIGH PRESSURE WATER HOSE
	2	8030370	REDUCTION TOOL NOZZLE	*	1	8030504	REDUCER 3/8"FP - 1/4"MP
	2	8031268	REDUCTION TOOL NOZZLE 45 DEG	*	1	8030487	Q.D. FEMALE 1/4"FP
	1	8031079	BANJO 3" MALE				
		8040333	REDUCTION TOOL COLLAR				
2	1	8040983	TOOL VAC SUCTION 4" COMPLETE	*			NOT SHOWN
3	1	8030348	TOOL VAC SPRAY WAND COMPLETE				
	1	8030928	TRIGGER ASSEMBLY				
	1	8030847	WAND				
	1	8031308	NOZZLE				

VACASSY702

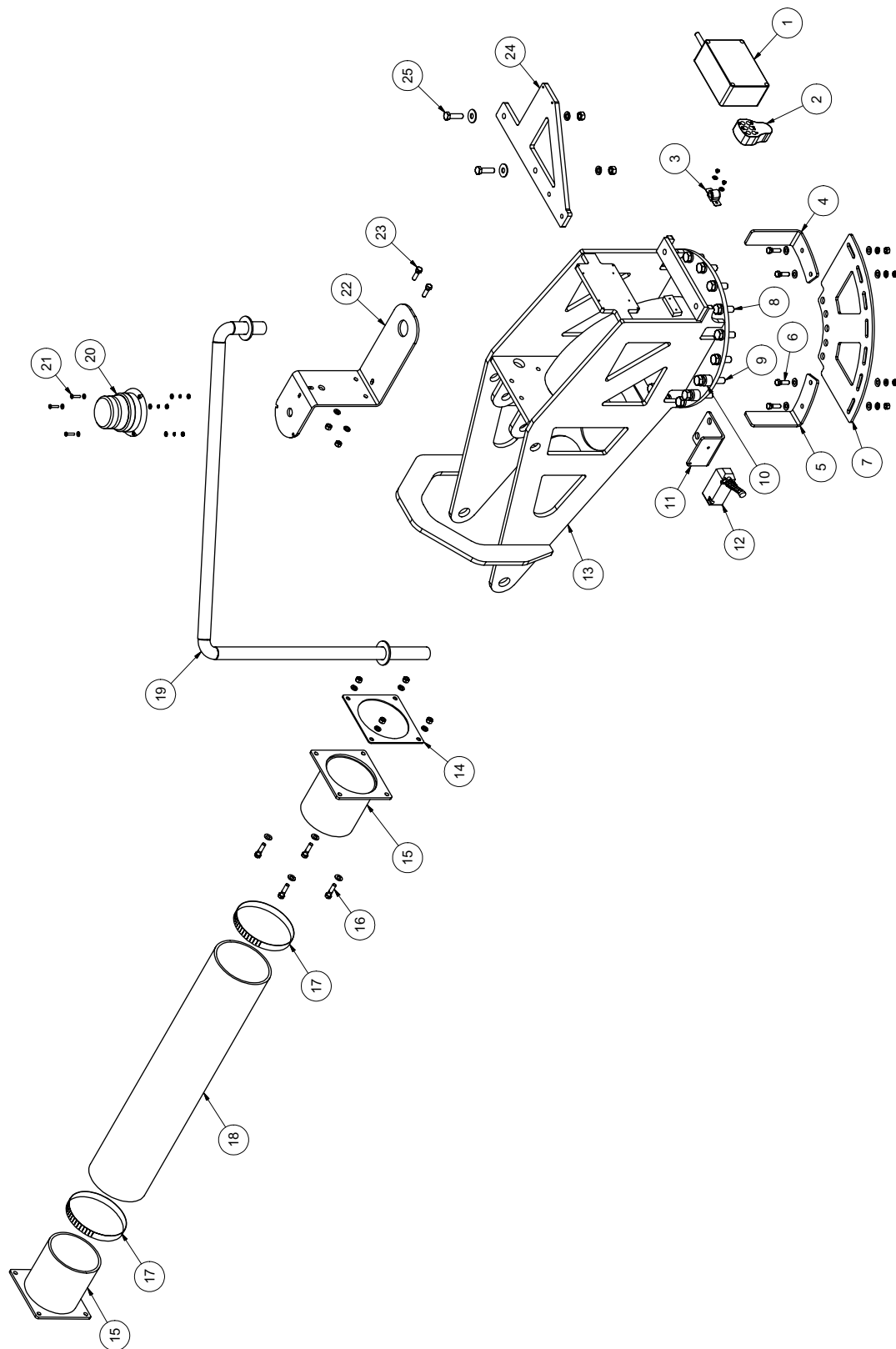
HYDRAULICS

BOOM

ITEM	QTY	NUMBER	DESCRIPTION
1	1	8042231	HYDRAULIC ROTATION DRIVE
2	1	8041601	HYDRAULIC POWER PACK 12V-6QT
3	1	8042439	HOSE ASSY VAC 4-12 ST-90
4	1	T403018	REDUCER 12MP 4MJ
5	1	8041925	CYLINDER RAISE-LOWER
6	1	8041926	CYLINDER EXTEND-RETRACT
7	1	8042350	ROD PIN (EXTENSION CYLINDER)
8	1	8042122	BASE PIN (EXTENSION CYLINDER)
9	1	8041990	ROD PIN (PIVOT CYLINDER)
10	1	8041977	BASE PIN (PIVOT CYLINDER)
11	10	U340050	LINCH PIN 3/16 X 1-9/16
12	4	T401270	ELBOW 90 8MB 6MJ
13	1	8042199	HOSE ASSY VAC 6-106 90-90 SAME
14	1	8042204	HOSE ASSY VAC 6-63 90-90 OPP
15	1	8042205	HOSE ASSY VAC 6-47 ST-45
16	1	8042206	HOSE ASSY VAC 6-52 ST-45
17	1	8041492	HOSE ASSY VAC 8-18 ST-90
18	2	8042427	HOSE ASSY VAC 6-12 ST-ST
19	1	8041971	DIRECTIONAL VALVE
20	1	4810712	RELIEF VALVE
21	2	8041884	SOLENOID VALVE
22	2	8042125	SOLENOID VALVE SPACER
23	6	T400140	UNION 8MB 8MJ
24	1	T400550	UNION 6MB 4MJ
25	5	T400037	UNION 6MB-6MJ
26	3	T401250	ELBOW 90 6MB 6MJ
27	1	8042267	ORIFICE 6MJ 6FJ .094"
28	1	T400038	UNION 6MB 6MB
29	3	T401250	ELBOW 90 6MB 6MJ
30	1	8041974	MANIFOLD
31	1	8042344	MANIFOLD MOUNTING BRACKET
32	2	T400160	UNION 10MB 8MJ

TURRET

BOOM



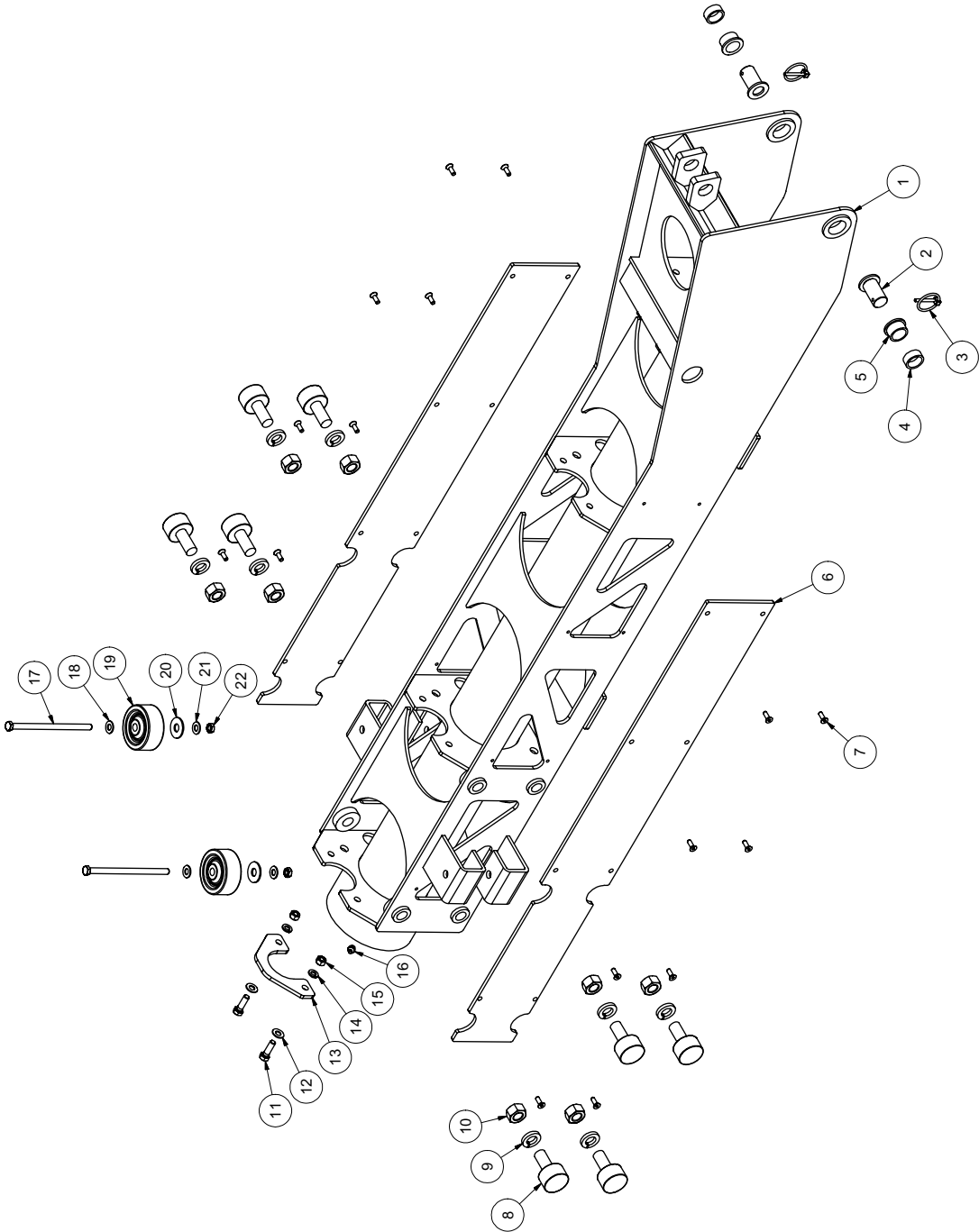
TURRET

BOOM

ITEM	QTY	NUMBER	DESCRIPTION
1	1	8041914	REMOTE CONTROL RECEIVER
	4	U010008	SCREW HSH #8-32 X 1.00
2	1	8042426	REMOTE CONTROL 6-BUTTON
3	1	8042099	CLAMP ELECTRICAL CABLE
	2	U030796	SCREW PAN HD PHIL #10-24 X 0.50
	2	U210005	WASHER LOCK #10
4	1	8042359	ROTATION STOP BRACKET OPP
	4	U200600	WASHER FLAT 3/8"
	2	U100060	NUT HEX 3/8-16
	2	U210060	WASHER LOCK 3/8"
5	1	8042357	ROTATION STOP BRACKET
	4	U200600	WASHER FLAT 3/8"
	2	U100060	NUT HEX 3/8-16
	2	U210060	WASHER LOCK 3/8"
6	4	U000440	SCREW HC 3/8-16 X 1.25
7	1	8042351	ROTATION STOP BASE PLATE
8	16	U001195	SCREW HC 5/8-11 X 1.75
	16	U210140	WASHER LOCK 5/8"
9	2	U001250	SCREW HC 5/8-11 X 3.00
	2	U210140	WASHER LOCK 5/8"
10	2	8042376	LIMIT SWITCH BRACKET SPACER
11	1	8042360	LIMIT SWITCH BRACKET
12	1	8042431	LIMIT SWITCH (LEVER NOT INCLUDED)
	1	8042432	SWITCH LEVER
13	1	8042240	TURRET
14	2	8041988	GASKET
15	2	8041958	FLEX HOSE ADAPTER
16	8	U000460	SCREW HC 3/8-16 X 1.50
	8	U200600	WASHER FLAT 3/8"
	8	U210060	WASHER LOCK 3/8"
	8	U100060	NUT HEX 3/8-16
17	2	8042104	6" HOSE CLAMP
18	1	8042103	6" FLEXIBLE HOSE
19	1	8042108	ELECTRICAL CABLE ROUTING TUBE
20	1	8030347	STROBE LIGHT
21	3	U030530	SCREW PAN HD PHIL #10-32X1.00
	3	U210005	WASHER LOCK #10
	3	U210006	NUT LOCK #10-32
22	1	8041932	STROBE LIGHT BRACKET
23	2	U000440	SCREW, HC 3/8-16 X 1.25
	2	U210060	WASHER LOCK 3/8"
	2	U100060	NUT HEX 3/8-16
24	1	8041969	POWER BRACKET
25	2	U000860	SCREW HC 1/2-13 X 1.75
	2	U200100	WASHER FLAT 1/2"
	2	U210100	WASHER LOCK 1/2"
	2	U100120	NUT HEX 1/2-13

PIVOT ARM

BOOM



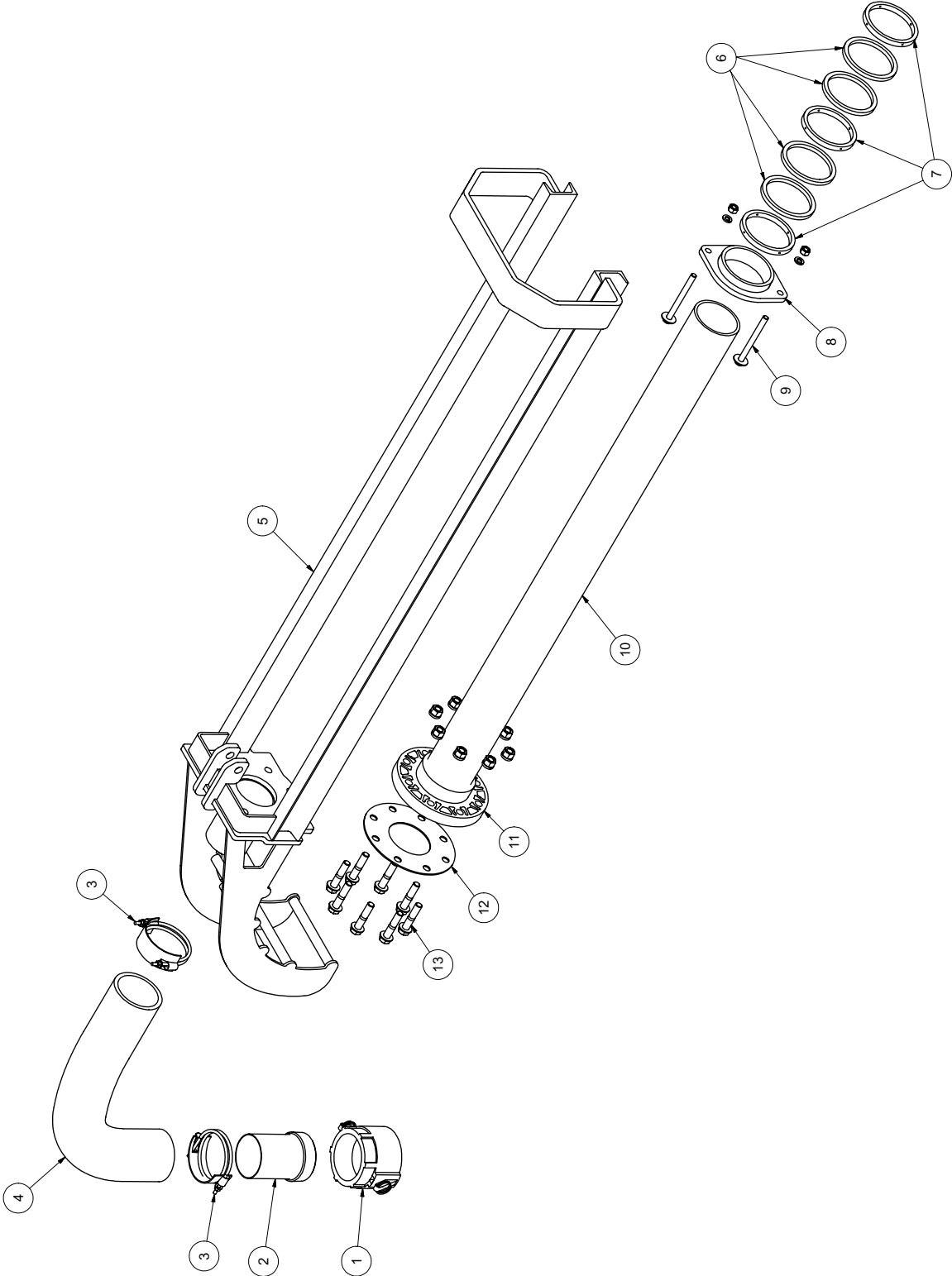
PIVOT ARM

BOOM

ITEM	QTY	NUMBER	DESCRIPTION
1	1	8041950	PIVOT ARM
2	2	8042124	PIN
3	10	U340050	PIN LINCH 3/16 X 1-9/16
4	2	8042101	BUSHING BRONZE 1.25"X1.00"X0.50" PLN
5	2	8041883	BUSHING BRONZE 1.25"X1.00"X0.63" FLG
6	2	8041986	GLIDE SHEET
7	16	U030015	SCREW SFH 1/4-20 X .750
8	8	W000050	ROLLER
9	8	U210160	WASHER LOCK 3/4"
10	8	U100200	NUT HEX 3/4"-10
11	12	U000440	SCREW HC 3/8-16 X 1.25
12	2	U200600	WASHER FLAT 3/8"
13	1	8041956	CYLINDER RETAINER
14	2	U210060	WASHER LOCK 3/8"
15	2	U100060	NUT HEX 3/8-16
16	1	T500100	GREASE FITTING
17	2	U000635	SCREW HC .375-16X6.50
18	2	U200600	WASHER FLAT 3/8"
19	2	8030226	WHEEL
20	2	U200100	WASHER FLAT 1/2"
21	2	U200600	WASHER FLAT 3/8"
22	2	U120110	NUT LOCK 3/8-16

EXTENSION ARM

BOOM



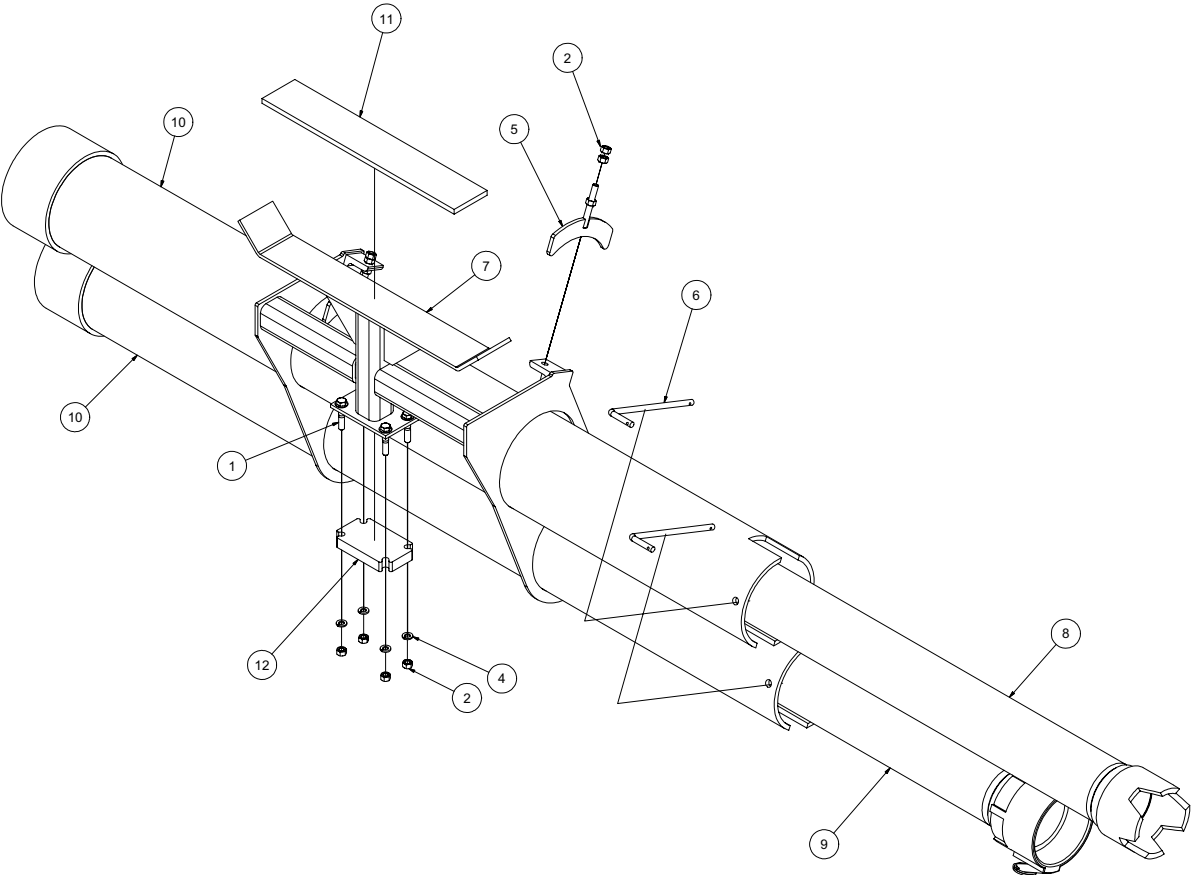
EXTENSION ARM

BOOM

ITEM	QTY	NUMBER	DESCRIPTION
1	1	8030846	4" FEMALE COUPLER
2	1	8030560	4" HOSE ADAPTER
3	2	8041752	SPIRAL CLAMP 4" HOSE
4	1	8042079	INLET HOSE
5	1	8041960	EXTENSION ARM
6	4	8041947	PACKING RING
7	3	8041945	PLASTIC SLEEVE
8	1	8041963	PACKING GLAND
9	2	U001020	SCREW HC 1/2-13 X 5.50
	2	U200100	WASHER FLAT 1/2"
	2	U210100	WASHER LOCK 1/2"
	2	U100120	NUT HEX 1/2-13
10	1	8042160	4" PVC TUBE X 60" LONG
11	1	8041937	4" PVC FLANGE
12	2	8041938	GASKET
13	8	U001250	SCREW HC 5/8-11 X 3.00
	8	U200140	WASHER FLAT 5/8"
	8	U210140	WASHER LOCK 5/8"
	8	U100180	NUT HEX 5/8-11

CRADLE AND HOSE STORAGE

BOOM

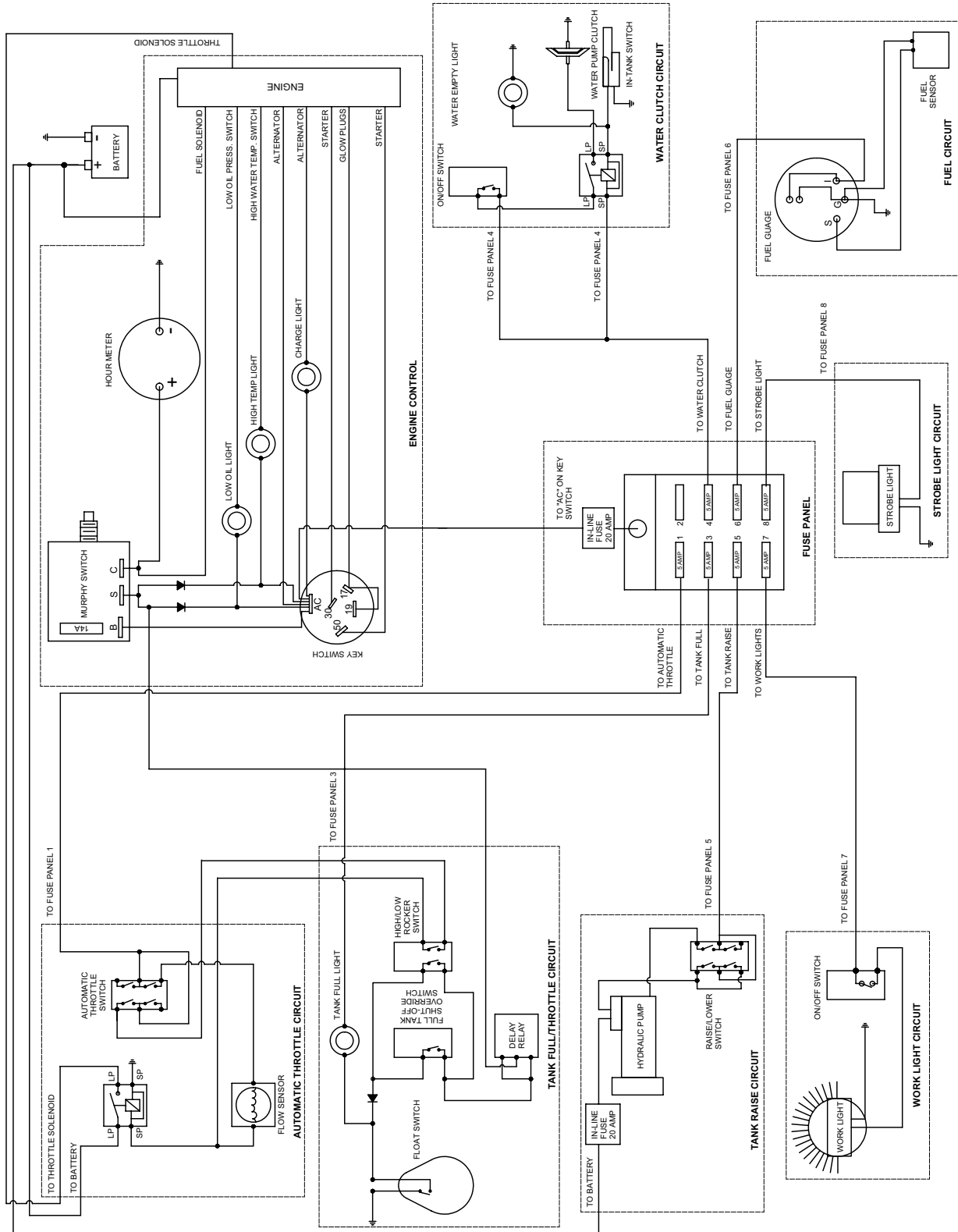


CRADLE AND HOSE STORAGE

BOOM

ITEM	QTY	NUMBER	DESCRIPTION
1	4	U005000	SCREW 3/8-16 X 2.00
2	16	U100060	NUT HEX 3/8-16
3	4	U200600	WASHER FLAT 3/8"
4	4	U210060	WASHER LOCK 3/8"
5	4	8040959	HOSE STORAGE CLAMP
6	2	8041101	HOSE STORAGE RETAINER PIN
	2	R700160	R CLIP
	2	8041485	LANYARD CABLE
7	1	8042009	BOOM CRADLE
8	1	8042137	BOOM HOSE EXTENSION (5FT)
9	1	8042138	BOOM HOSE EXTENSION WITH CROWN (5FT)
10	2	8042249	HOSE STORAGE TUBE
11	1	8042358	BOOM CRADLE RUBBER PAD
12	1	8042378	BOOM CRADLE SPACER

WIRING SCHEMATIC



WARRANTY RETURN GOODS POLICY

LIMITED WARRANTY

The Manufacturer warrants its products to be free from defects in material and workmanship for a period of twelve months from the date of shipment from the factory. The Manufacturer shall not be responsible for any damage resulting to or caused by its products by reason of installation, improper storage, unauthorized service, alteration of the products, neglect or abuse, or use of the product in a manner inconsistent with its design. The warranty does not extend to any component parts not manufactured by Manufacturer; however, Manufacturer's warranty herein shall not limit any warranties made by manufacturers of component parts which extend to Buyer.

Claims for defects in material and workmanship shall be made in writing to Manufacturer within ten days of discovery of defect. Manufacturer may either send a service representative or have the product returned to its factory at Buyer's expense for inspection. Upon notification of defect, Manufacturer will issue a return goods authorization number to Buyer. The return goods authorization number must accompany the product returned. If judged by the Manufacturer to be defective in material or workmanship, the product will be replaced or repaired at the option of the Manufacturer, free from all charges except authorized transportation. Buyer shall be responsible for all maintenance services consisting of lubrication and cleaning of equipment, replacing expandable parts, making minor adjustments, and performing operating checks, all in accordance with procedures outlined in Manufacturer's maintenance literature.

THE FOREGOING WARRANTY IS IN LIEU OF ALL OTHER WARRANTIES AND NO REPRESENTATIONS, GUARANTEES, OR WARRANTIES, EXPRESS OR IMPLIED, (INCLUDING BUT NOT LIMITED TO A WARRANTY OF MERCHANTABILITY OR FITNESS FOR A PARTICULAR PURPOSE), ARE MADE BY THE MANUFACTURER IN CONNECTION WITH THE MANUFACTURE OR SALE OF ITS PRODUCTS. NO EMPLOYEE, DISTRIBUTOR, OR REPRESENTATIVE IS AUTHORIZED TO CHANGE THIS WARRANTY ON BEHALF OF MANUFACTURER. THE REMEDIES OF BUYER SET FORTH HEREIN ARE EXCLUSIVE AND ARE IN LIEU OF ALL OTHER REMEDIES. THE LIABILITY OF MANUFACTURER WHETHER IN CONTRACT, TORT, UNDER ANY WARRANTY, OR OTHERWISE SHALL NOT EXTEND BEYOND ITS OBLIGATION TO REPAIR OR REPLACE, AT ITS OPTION ANY PRODUCT OR PART FOUND BY MANUFACTURER TO BE DEFECTIVE IN MATERIAL OR WORKMANSHIP. MANUFACTURER SHALL NOT BE LIABLE FOR COST OF INSTALLATION AND/OR REMOVAL OR BE RESPONSIBLE FOR DIRECT, INDIRECT, SPECIAL OR CONSEQUENTIAL DAMAGES OF ANY NATURE.

GENERAL RETURNS OF MERCHANDISE

1. All returns must be pre-authorized
 - A. Please call our parts department for an RGA number
 - B. Please include RGA number on the outside of box
 - C. Include any required paper work or special instructions
 - D. Items returned without an RGA number will not be accepted
2. All returns are subject to a 20% restock charge.
3. Special items are non-returnable
 - A. Non-stock parts
 - B. Custom parts
 - C. If you are unsure about a parts status when ordering, ask your McLaughlin representative if the item fits on of the above conditions.
4. Items must be returned within thirty days of original order date.
5. Items not returned within 30 days from the date of RGA is issued will not be accepted.
6. The item(s) must be in new condition. Used item(s) are not returnable.

Notes

Lined writing area for notes.