



2006 Perimeter Road. Greenville, SC 29605  
Toll Free: 800/435-9340 - Phone: 864/277-5870  
Fax: 864/235-9661 - Website address: [www.mightymole.com](http://www.mightymole.com)  
Email address: [mmole@mightymole.com](mailto:mmole@mightymole.com)

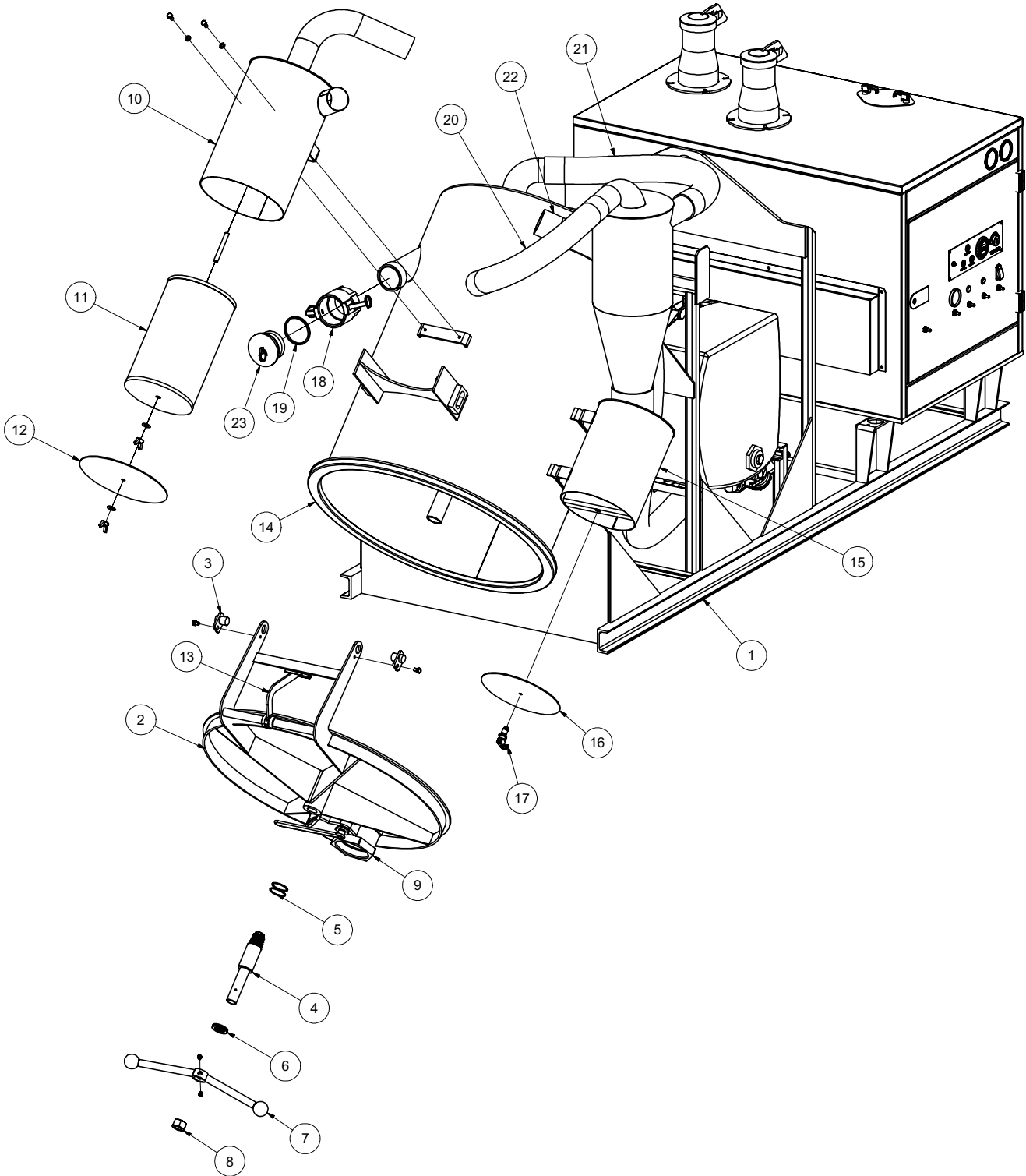
**Parts Manual**  
**Vermeer/McLaughlin V100D Vacuum Machine**  
**Part #E850101**  
**(Serial #1D031006611 - 1D031006611)**

© 2006 by McLaughlin Group, Inc.

061306

All rights reserved. No part of this manual may be reproduced in any form, or by any means without prior written permission of McLaughlin Group, Inc.

# DOOR AND AIR ASSEMBLY

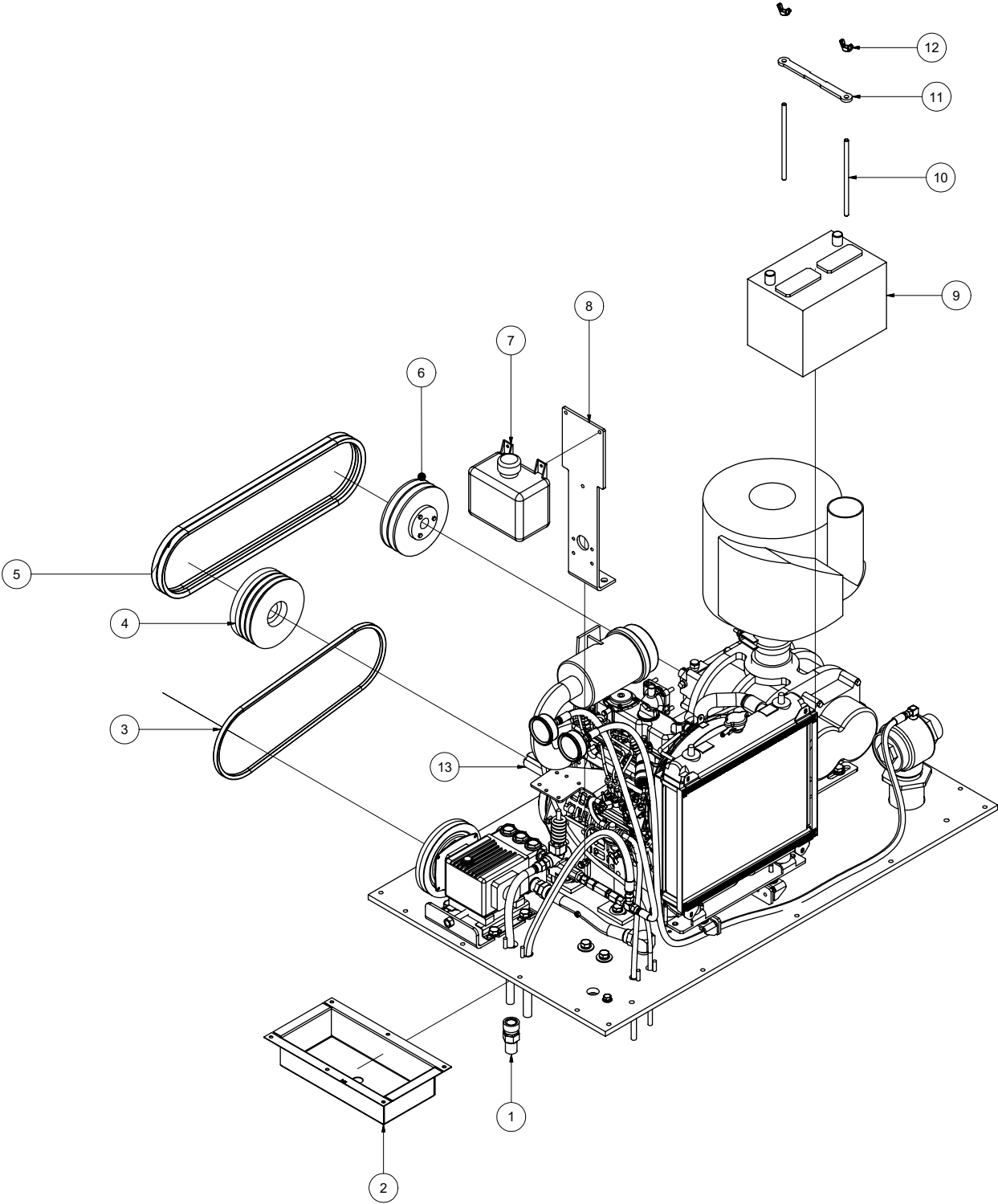


VACASSY009

# DOOR AND AIR ASSEMBLY

ITEM	QTY.	NUMBER	DESCRIPTION
1	1	8040120	100 Gallon Tank Frame
2	1	8040153	Tank Door
3	2	8040159	Door Pin
	2	U000398	Screw, HC 3/8-16 X .50"
4	1	8040306	Quick Lock Door Striker
5	2	W200120	O-Ring #225
6	3	8030174	Washer, Quick Lock
7	1	8040235	Door Handle
	2	J400060	Knob
	2	U010040	Screw, HSH 5/16-18 X .50"
8	1	U120060	Nut, Lock NY 1"-8
9	1	8030916	Gate Valve
10	1	8040228	Air Filter Housing
	1	8040089	Gasket
	2	U000400	Screw, HC 3/8-16 X .75"
	2	U210060	Washer, Lock 3/8"
11	1	8031178	Washable Filter Element
12	1	8040043	Air Filter Housing Door
	1	8040302	Door Rod
	2	U200100	Washer, Flat 1/2"
	2	U130080	Nut, Wing 1/2-13
13	1	8040413	Door Holder
14	1	8040353	Door Seal
15	1	8040308	Cyclone Separator Housing
	1	8040078	Gasket
	4	U000400	Screw, HC 3/8-16 x .75"
	4	U210060	Washer, Lock 3/8"
16	1	8040225	Cyclone Separator Door
17	1	8040334	Swell Latch
18	1	8030392	3" Female-Female Coupler
19	1	8031042	3" Coupler Gasket
20	1	8040335	Hose, 29", Air Filter - Cyclone Separator
21	1	8040336	Hose, 36", Tank - Cyclone Separator
22	1	8040337	Hose, 97" Filter - Blower
23	1	8030393	3" Plug

# POWER PACK ASSEMBLY

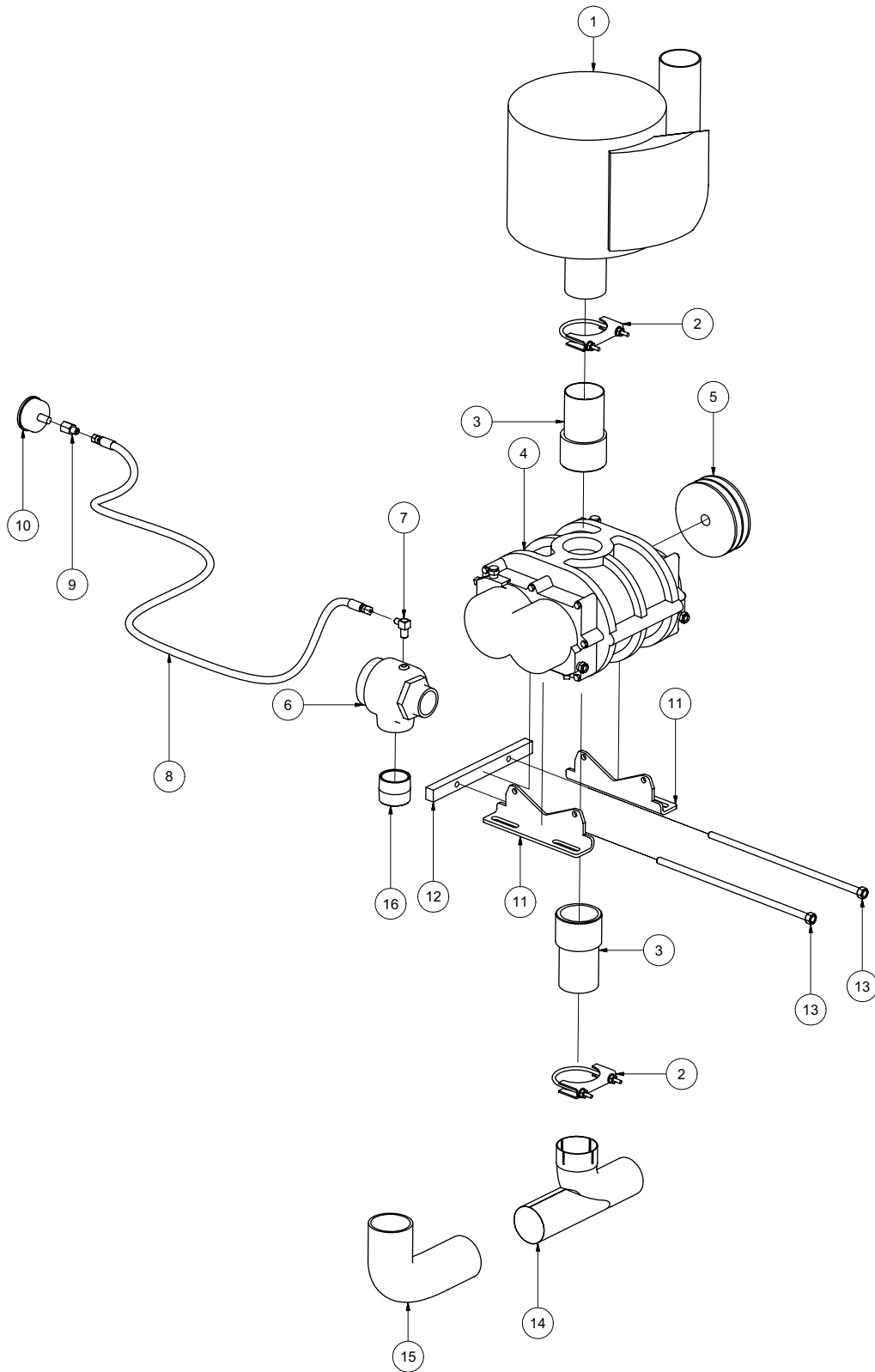


VACASSY101

# POWER PACK ASSEMBLY

ITEM	QTY	NUMBER	DESCRIPTION
1	1	X000112	CONNECTOR, PANEL 3/4 MNPT-3/4FNPT
	1	X000109	STRAIN RELIEF, 3/4"
	1	X000108	3/4" COUPLING NUT
2	1	8041103	DRIP PAN
	6	U000040	SCREW, HC 1/4 - 20 X .750
	6	U210020	WASHER, LOCK 1/4"
	6	U200020	WASHER, FLAT 1/4"
3	1	8041416	BELT AX43
4	1	8040697	SHEAVE 6.55 DIA 3 GROOVE
	1	8040642	BUSHING 7/8" SDS
	1	U410090	KEY 1/4" X 1/4" X 2 1/2"
5	2	8041027	BELT BX54
6	1	8040697	SHEAVE 6.55 DIA 2 GROOVE
	1	8040642	BUSHING 7/8" SDS
	1	U410042	KEY 3/16" X 3/16" X 2"
	1	8040645	TANK, OVERFLOW COOLANT
7	3	U000040	SCREW, HC 1/4"-20 X 3/4"
	6	U200020	WASHER, FLAT 1/4"
	3	U210020	WASHER, LOCK 1/4"
	3	U100020	NUT, HEX 1/4"-20
	1	8040577	WATER REGULATOR/OVERFLOW BRACKET
8	2	U000817	SCREW, HC 1/2"-13 X 1"
	2	U210100	WASHER, LOCK 1/2"
	2	U200100	WASHER, FLAT 1/2"
	1	X400020	MT-34R 12V BATTERY
9	1	X300110	BATTERY CABLE (NEG) 1 GAGE -14"
	1	8030561	BATTERY CABLE (NEG) 4 GAGE - 41 1/2"
	2	8040684	ROD, BATTERY HOLD DOWN
11	1	8050016	BATTERY HOLD DOWN
12	2	U130040	NUT, WING 3/8"-16
13	1	8040748	KUBOTA DH902
	1	8040748-1	MUFFLER

# BLOWER ASSEMBLY

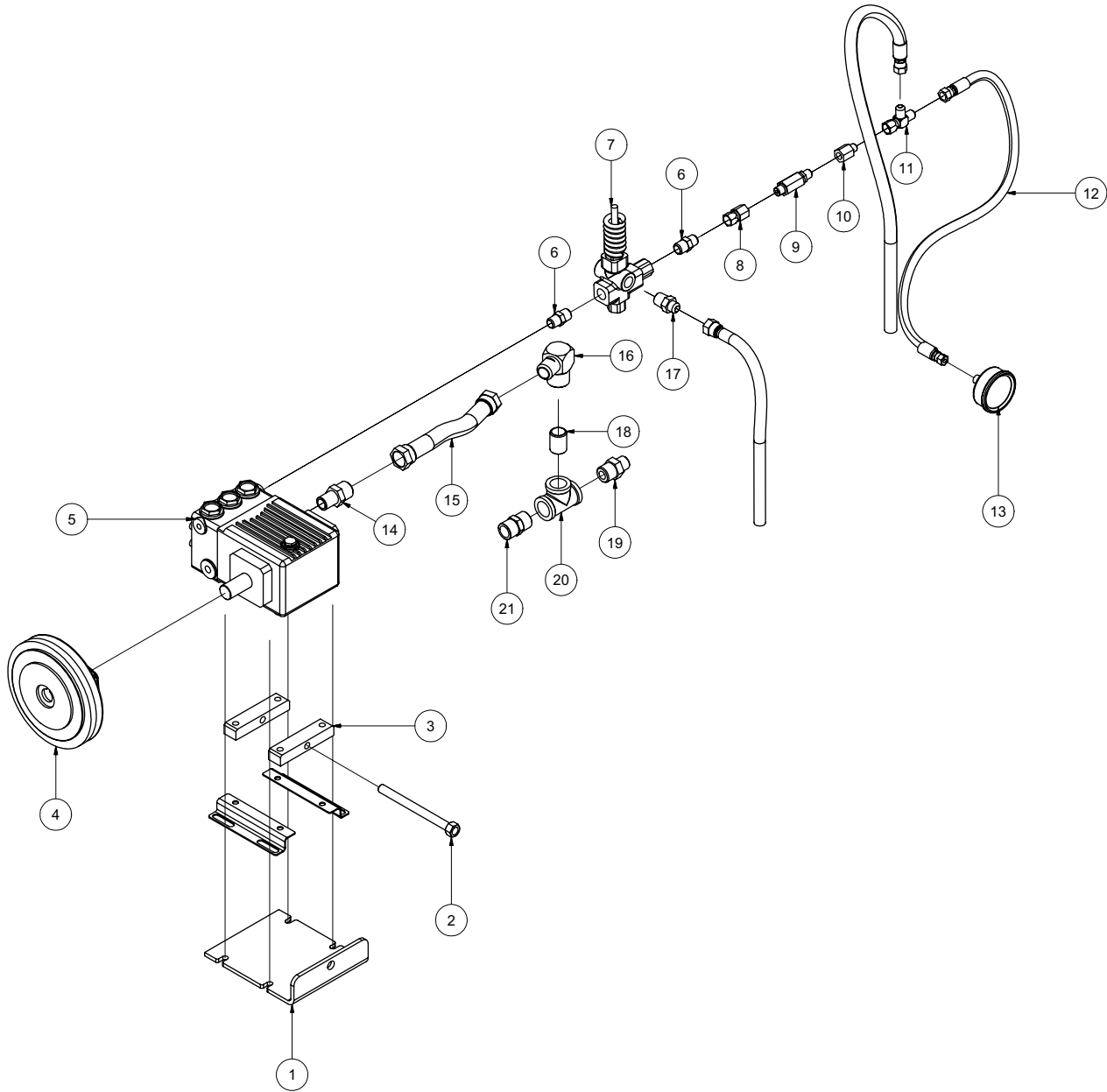


VACASSY202

# BLOWER ASSEMBLY

ITEM	QTY	NUMBER	DESCRIPTION
1	1	8030332	SILENCER, 575 CFM, COWL
2	3	8030395	3" U-BOLT CLAMP
3	3	8030287	3" HOSE X 3" MNPT ADAPTER
4	1	8040000	BLOWER (MODEL 47)
	4	U000817	SCREW, HC 1/2"-13 X 1"
	4	U210100	WASHER, LOCK 1/2"
	4	U200100	WASHER, FLAT 1/2"
5	1	8040697	SHEAVE 6.55 DIA 2 GROOVE
	1	8040642	BUSHING 7/8" SDS
	1	U410042	KEY 3/16" X 3/16" X 2"
6	1	8030337	KUNKLE VALVE, 575 CFM
7	1	T401100	ELBOW 4MP 4MJ 90
8	1	8040970	HOSE ASSEMBLY VACUUM GAUGE
		-	#4 PRESSURE HOSE 70" LONG
		-	FITTING, HOSE 4HO 4FJ
9	1	8030483	UNION, 4FP 4MJ
10	1	8030371	HYD PRESSURE GAUGE
11	2	8040559	BLOWER FOOT (MODEL 47)
12	1	8040702	TENSION BLOCK 575 CFM
13	2	8040751	BLOWER TENSIONER ROD
14	1	8041033	HEADER INLET-BLOWER WELD'T
15	1	8040984	3" INLET HEADER HOSE
16	1	8030409	2" CLOSE NIPPLE

# WATER PUMP ASSEMBLY



VACASSY301

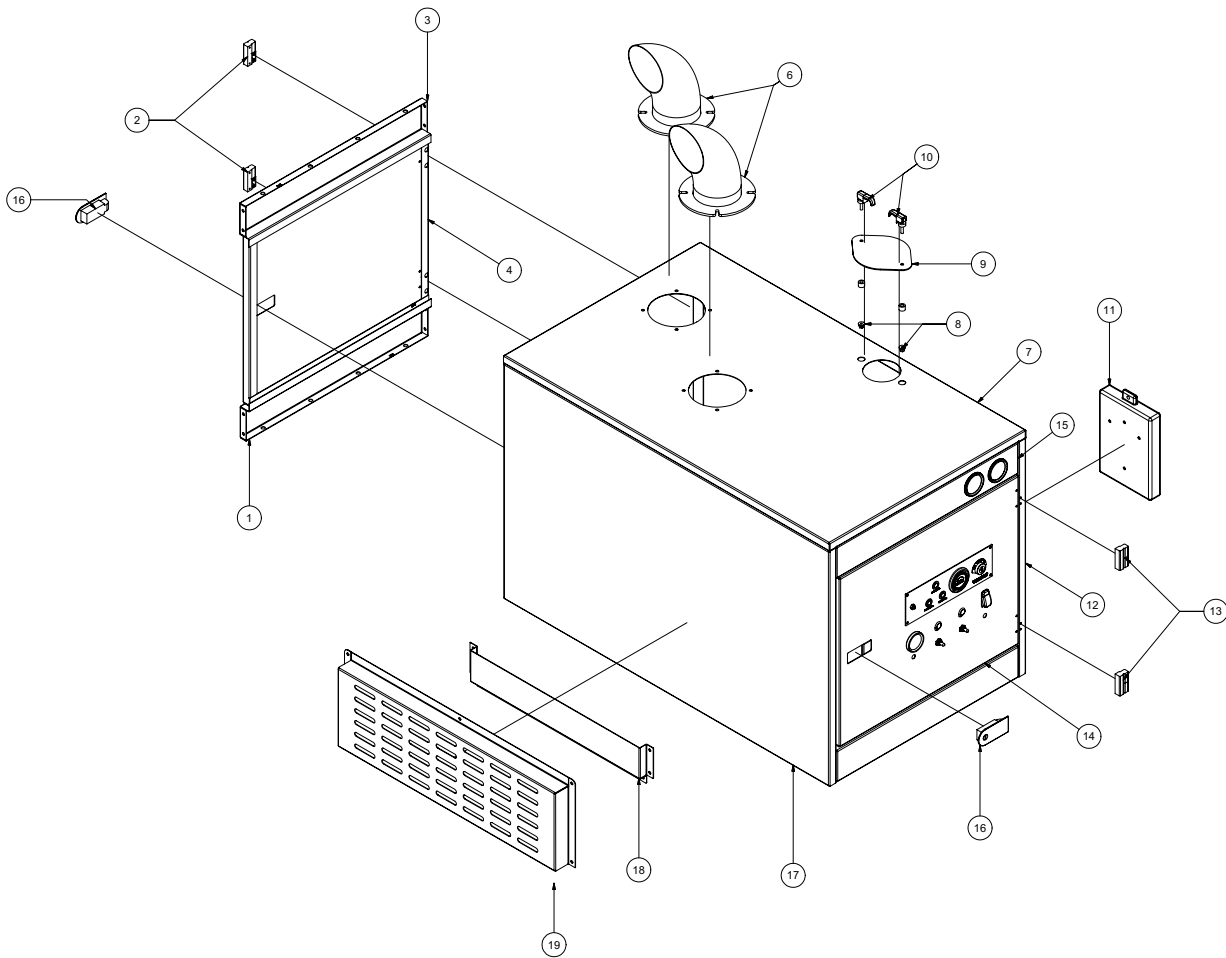


# WATER PUMP ASSEMBLY

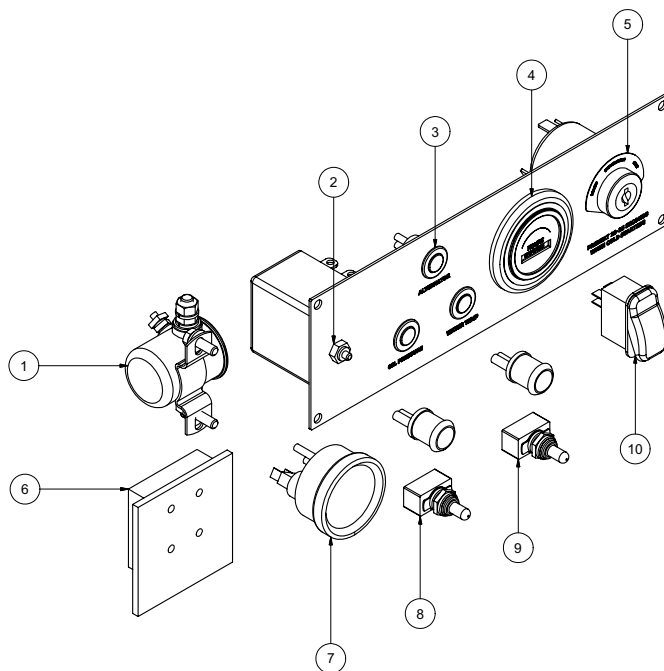
ITEM	QTY	NUMBER	DESCRIPTION
1	1	8040746	WATER PUMP TENSIONER PLATE
	4	U000420	SCREW, HC 3/8"-16 X 1"
	4	U210060	WASHER, LOCK 3/8"
	4	U200600	WASHER, FLAT 3/8"
2	1	8040751	WATER PUMP TENSIONER ROD
3	2	8040219	WATER PUMP TENSIONER BLOCK
4	1	8040176	WATER PUMP CLUTCH
5	1	8040834	WATER PUMP (TX1510)
	4	U001605	SCREW, HC 8MM X 1.25 X 40
	4	U210055	WASHER, LOCK M8
	1	U410094	KEY 5/16" X 5/16" X 1 3/8"
6	2	T400805	UNION, 8MP 6MP
7	1	8030341	UNLOADER VALVE
8	1	8031125	UNION, 6FJ 4FP
9	1	8030923	HIGH PRESSURE WATER FILTER
10	1	8031126	UNION, 4FP 6MJ
11	1	T402153	TEE, 6MJ 6MJ 6FJ
12	1	8041179	HOSE ASSEMBLY, PRESSURE GAUGE
		-	#4HIGH PRESSURE HOSE 28" LONG
		-	FITTING, HOSE 4HO 6FJ
		-	FITTING, HOSE 4HO 4FJ
13	1	8030372	WATER PRESSURE GAUGE 1/4NPT
14	1	T400070	UNION, 8MP 12MJ
15	1	-	HOSE ASSEMBLY, INLET WATER
	1	8030539	#12 PUSH LOCK HOSE 8.5" LONG
	2	8030525	FITTING, HOSE #12FJ PUSH LOCK
16	1	T401180	ELBOW, 12MP 12MJ
17	1	T400040	UNION, 8MP 8MJ
18	1	T421020	NIPPLE,PIPE 12MP 12MP
19	1	T404030	UNION, 12MP 8MP
20	1	T402160	TEE 12FP 12FP 12FP
21	1	T400100	UNION, 12MP 12MJ

VACASSY301

# ENCLOSURE ASSEMBLY



**VACASSY402**



**VACASSY502**

# ENCLOSURE ASSEMBLY

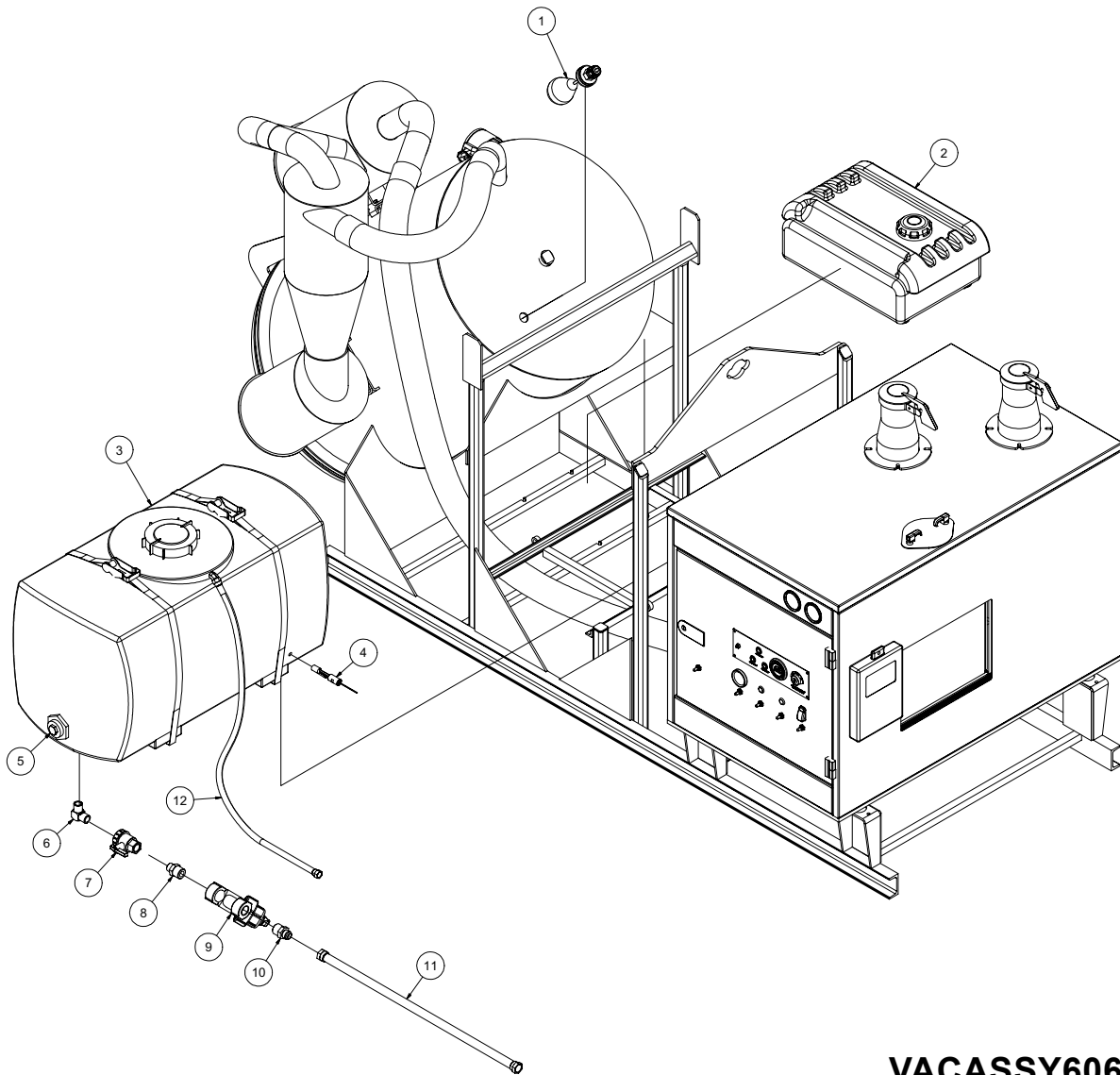
ITEM	QTY	NUMBER	DESCRIPTION
1	1	8040995	SIDE PANEL WELDMENT
2	2	8040589	OFFSET HINGE TYPE A
	8	U030525	SCREW, PAN HD #10-32X1/2
3	2	8040829	SIDE PANEL
4	1	8040827	DOOR
5	2	8040742	RAIN CAP 4"
6	2	8040739	EXHAUST WELDMENT
7	1	8040831	TOP SHEET
8	2	U120142	NUT, FLANGED LOCK 1/4-20
9	1	8040592	RADIATER ACCESS PLATE
10	2	8040334	LATCH, SWELL
11	1	E250211	MANUAL BOX
12	1	8040993	FRONT SHEET
13	2	8040588	OFFSET HINGE TYPE B
	8	U030525	SCREW, PAN HD #10-32X1/2
14	1	8040890	DOOR, CONTROL
15	1	8040994	SIDE PANEL W/ GAUGES
16	2	8040586	LATCH, LEVER LOCKABLE
17	1	8040992	BACK SHEET
18	1	8040565	SMALL BAFFLE
19	1	8040566	LARGE BAFFLE
	72	U000060	SCREW, HC 1/4-20X1
	126	U200020	WASHER, FLAT 1/4
	72	U210020	WASHER, LOCK 1/4
	54	U100020	NUT, HEX 1/4-20

**VACASSY402**

ITEM	QTY	NUMBER	DESCRIPTION
1	1	8030443	80-12V SOLENOID
2	1	8030455	MURPHY SWITCH
3	5	8030457	PANEL LIGHTS
4	1	8030456	HOUR METER
5	1	8030458	KEY SWITCH
	1	8030829	KEYS
6	1	8031257	FUSE PANEL 8 POS.
	1	8030468	10 AMP FUSE
	6	8030461	5 AMP FUSE
7	1	8030330	FUEL GAUGE
8	1	X000095	SWITCH, WATER PUMP CLUTCH
9	1	X000095	SWITCH, FULL TANK OVERRIDE
10	1	X000021	ROCKER SWITCH THROTTLE HIGH/LOW
*	1	8030826	INLINE 20 AMP FUSE

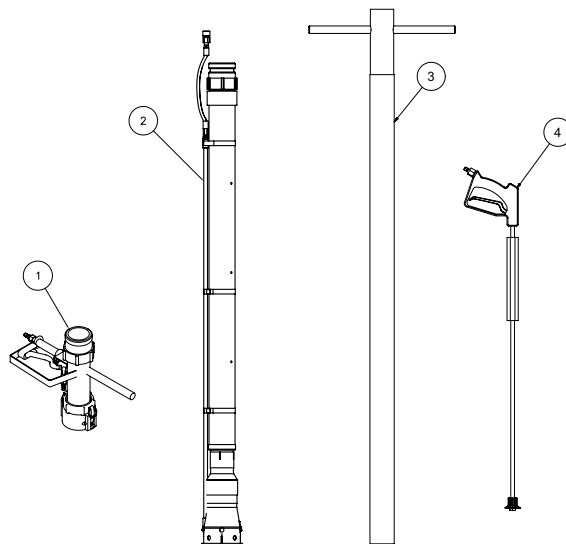
**VACASSY502**

# WATER ASSEMBLY/FUEL TANK/SWITCHES



VACASSY606

## Tools



VACASSY701

# WATER ASSEMBLY/FUEL TANK/SWITCHES

ITEM	QTY.	NUMBER	DESCRIPTION
1	1	-	Tank Shut-Off Assembly
	1	8030531	Float Switch
	2	8040879	Rubber Gasket
	2	U200170	Washer, 1" Flat
	1	X000108	Thin Locknut
	1	X000109	Strain Relief
	1	X000112	Extension Body
2	1	8031154	Gas Tank (6.5 gallon)
	4	U000040	Screw, HC 1/4-20 x .75"
	4	U210020	Washer, Lock 1/4"
	8	U200020	Washer, Flat 1/4"
3	1	8034151	Water Tank, 50 Ga.
	2	8040196	Water Tank Straps w/ Hooks
	1	8030020	Adapter, Bulkhead 45 Deg. 1/2MJ
	1	8041148	Bulkhead, 3/4" Plastic
4	1	8030343	Low Water Switch
5	1	T405065	Plug, 3/4" NPT
6	1	T401040	Elbow, 90 Deg. 3/4 MP - 3/4 MP
7	1	8030376	Ball Valve, 3/4 FNPT
8	1	T404060	Reducer, 1 MP - 3/4 MP
9	1	8040186	1" Y - Strainer
10	1	T400450	Union, 1 MP - 3/4 MJ
11	1	-	Water Pump Suction Hose Assembly
	2	8030525	3/4" Push Lock Fitting
	1	8030539	3/4" x 37" Lg Push Lock Hose
9	1	-	By-Pass Hose Assembly
	2	8030524	1/2" Push Lock Fitting
	1	8030540	1/2" x 66" Lg Push Lock Hose

VACASSY606

## Tools

Item	Qty	Number	Description	Item	Qty	Number	Description
1	1	8030635	Tool Head	4	1	8030348	Spray Wand Complete
	2	8030486	Quick Disconnect SS		1	8030928	Trigger Assembly
	1	8031079	Banjo 3" Male		1	8030847	Wand
	1	8030392	Banjo 3" Female		1	8031308	Nozzle
	1	8030928	Trigger Assembly	*	1	8030249	Vacuum Hose Assembly 3" x 16'
2	1	8030179	Reduction Tool		1	8031079	Banjo 3" Male
	4	8030370	Reduction Tool Nozzle		1	8030392	Banjo 3" Female
	1	8031079	Banjo 3" Male		2	8030240	Hose Adapter 3"
	1	8030215	Vacuum Tool 3"	186"	8030420	Vacuum Hose 3" Kanaflex	
3							

\* ITEM NOT SHOWN

VACASSY701



# **WARRANTY RETURN GOODS POLICY**

## **LIMITED WARRANTY**

The Manufacturer warrants its products to be free from defects in material and workmanship for a period of twelve months from the date of shipment from the factory. Hole Hammer pistons, bodies, and nose pieces are warranted to be free from defects in material and workmanship for a period of three years from the date of shipment from the factory. The Manufacturer shall not be responsible for any damage resulting to or caused by its products by reason of installation, improper storage, unauthorized service, alteration of the products, neglect or abuse, or use of the product in a manner inconsistent with its design. This warranty does not extend to any component parts not manufactured by Manufacturer; however, Manufacturer's warranty herein shall not limit any warranties made by manufacturers of component parts which extend to Buyer.

Claims for defects in material and workmanship shall be made in writing to Manufacturer within ten days of discovery of defect. Manufacturer may either send a service representative or have the product returned to its factory at Buyer's expense for inspection. Upon notification of defect, Manufacturer will issue a return goods authorization number to Buyer. The return goods authorization number must accompany the product returned. If judged by the Manufacturer to be defective in material or workmanship, the product will be replaced or repaired at the option of the manufacturer, free from all charges except authorized transportation. Buyer shall be responsible for all maintenance services consisting of lubrication and cleaning of equipment, replacing expandable parts, making minor adjustments, and performing operating checks, all in accordance with procedures outlined in Manufacturer's maintenance literature.

THE FOREGOING WARRANTY IS IN LIEU OF ALL OTHER WARRANTIES AND NO REPRESENTATIONS, GUARANTEES, OR WARRANTIES, EXPRESS OR IMPLIED, (INCLUDING BUT NOT LIMITED TO A WARRANTY OF MERCHANTABILITY OR FITNESS FOR A PARTICULAR PURPOSE), ARE MADE BY THE MANUFACTURER IN CONNECTION WITH THE MANUFACTURE OR SALE OF ITS PRODUCTS. NO EMPLOYEE, DISTRIBUTOR, OR REPRESENTATIVE IS AUTHORIZED TO CHANGE THIS WARRANTY ON BEHALF OF MANUFACTURER THE REMEDIES OF BUYER SET FORTH HEREIN ARE EXCLUSIVE AND ARE IN LIEU OF ALL OTHER REMEDIES. THE LIABILITY OF MANUFACTURER WHETHER IN CONTRACT, TORT, UNDER ANY WARRANTY, OR OTHERWISE SHALL NOT EXTEND BEYOND ITS OBLIGATION TO REPAIR OR REPLACE, AT ITS OPTION ANY PRODUCT OR PART FOUND BY MANUFACTURER TO BE DEFECTIVE IN MATERIAL OR WORKMANSHIP. MANUFACTURER SHALL NOT BE LIABLE FOR COST OF INSTALLATION AND/OR REMOVAL OR BE RESPONSIBLE FOR DIRECT, INDIRECT, SPECIAL OR CONSEQUENTIAL DAMAGES OF ANY NATURE.

## **GENERAL RETURNS OF MERCHANDISE**

1. All returns must be pre-authorized
  - A. Please call our parts department for an RGA number
  - B. Please include RGA number on the outside of box
  - C. Include any required paper work or special instructions
  - D. Items returned without an RGA number will not be accepted
2. All returns are subject to a 20% restock charge.
3. Special items are non-returnable
  - A. Non-stock parts
  - B. Custom parts
  - C. If you are unsure about a parts status when ordering, ask your McLaughlin representative if the item fits on of the above conditions.
4. Items must be returned within thirty days of original order date.
5. Items not returned within 30 days from the date of RGA is issued will not be accepted.
6. The item(s) must be in new condition. Used item(s) are not returnable.





