



McLAUGHLIN[®]

2006 Perimeter Road. Greenville, SC 29605
Toll Free: 800/435-9340 - Phone: 864/277-5870
Fax: 864/235-9661 - Website address: www.mightymole.com
Email address: mmole@mightymole.com

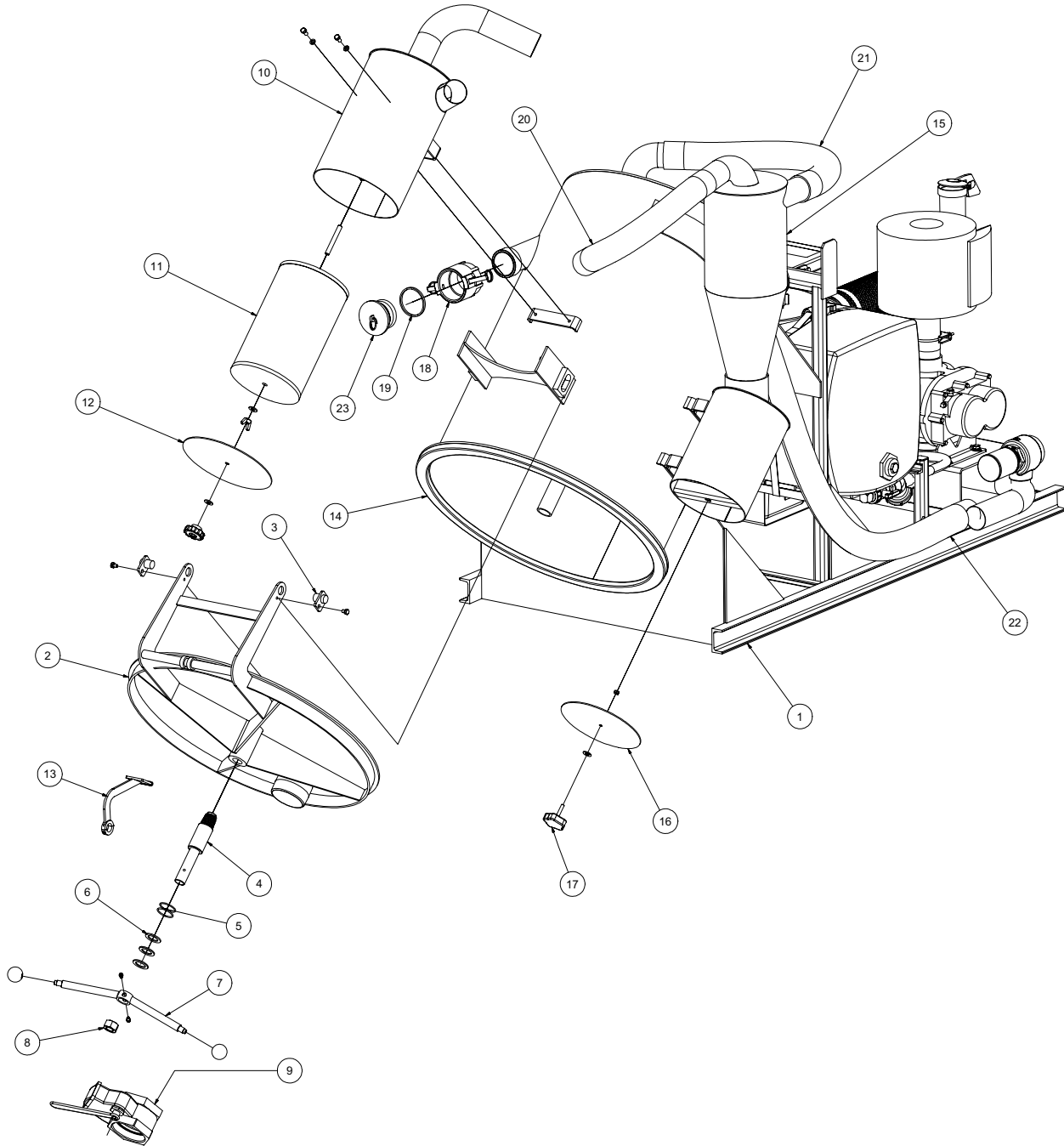
**Parts Manual
V100G Vacuum Machine
Part #E850100
(SERIAL #1G061206670 - 1G021709173)**

© 2008 by McLaughlin Group, Inc.

01082008

All rights reserved. No part of this manual may be reproduced in any form, or by any means without prior written permission of McLaughlin Group, Inc.

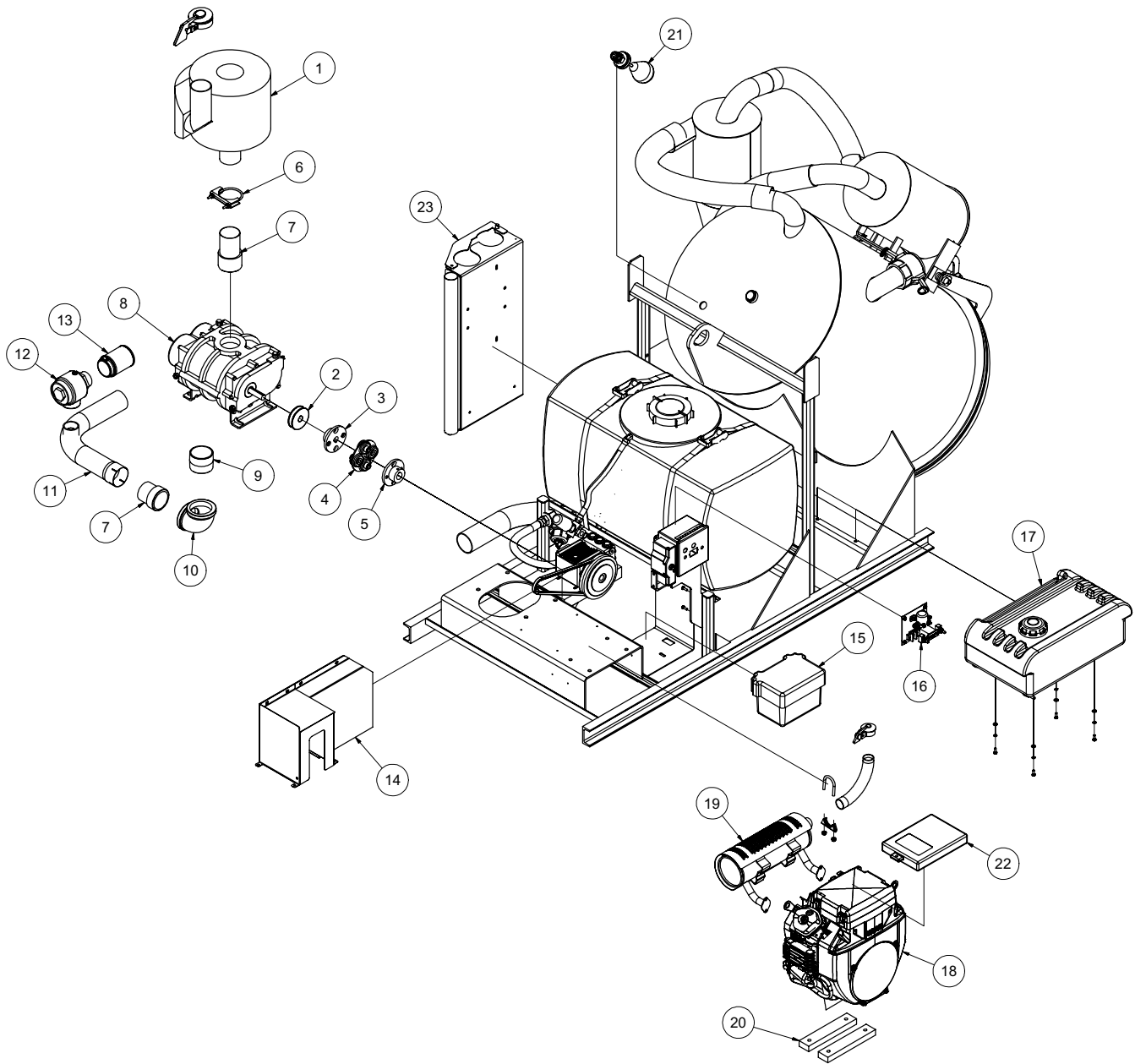
DOOR AND AIR ASSEMBLY



DOOR AND AIR ASSEMBLY

| ITEM | QTY. | NUMBER | DESCRIPTION |
|------|------|-----------|-----------------------------|
| 1 | 1 | 8040120 | 100 Gallon Tank Frame |
| 2 | 1 | 8040153 | Tank Door |
| 3 | 2 | 8040159 | Door Pin |
| | 2 | U000398 | Screw, HC 3/8-16 X .50" |
| 4 | 1 | 8040306 | Quick Lock Door Striker |
| 5 | 2 | W200120 | O-Ring #225 |
| 6 | 3 | 8030174 | Washer, Quick Lock |
| 7 | 1 | 8041855 | Door Handle |
| | 2 | J400060 | Knob |
| | 2 | U010040 | Screw, HSH 5/16-18 X .50" |
| 8 | 1 | U120060 | Nut, Lock NY 1"-8 |
| 9 | 1 | 8030916 | Gate Valve |
| 10 | 1 | 8040228 | Air Filter Housing |
| | 2 | U000400 | Screw, HC 3/8-16 X .75" |
| | 2 | U210060 | Washer, Lock 3/8" |
| 11 | 1 | 8031178 | Washable Filter Element |
| 12 | 1 | 8040043 | Air Filter Housing Door |
| | 1 | 8041357 | Seal, AirFilter |
| | 1 | 8040302 | Door Rod |
| | 2 | 8041232 | Washer, Bonded Sealing 1/2" |
| | 1 | 8041219 | Nut, Wing 1/2-13 3" Wide |
| | 1 | 8041218 | Femal Threaded Knob 1/2" |
| 13 | 1 | 8040413 | Door Holder |
| 14 | 1 | 8040873 | Door Seal |
| 15 | 1 | 8040308 | Cyclone Separator Housing |
| | 4 | U000400 | Screw, HC 3/8-16 x .75" |
| | 4 | U210060 | Washer, Lock 3/8" |
| 16 | 1 | 8040225 | Cyclone Separator Door |
| | 1 | 8041356 | Seal, Cyclone |
| 17 | 1 | 8041197 | Male Threaded Knob 3/8" |
| | 1 | 8041231 | Washer Bonded Sealing 3/8" |
| | 1 | U210061 | Nut, Hex 3/8 -16 Nylock |
| 18 | 1 | 8030392 | 3" Female-Female Coupler |
| 19 | 1 | 8031042 | 3" Coupler Gasket |
| 20 | 1 | 8040335 | Hose Vac Kanaflex 3-29 |
| 21 | 1 | 8040336 | Hose Vac Kanaflex 3-36 |
| 22 | 1 | 8040337 | Hose Vac Kanaflex 3-97 |
| 23 | 1 | 8030393 | 3" Plug |
| * | 1 | 8041485 | Lanyard Cable |
| * | 1 | 8041839 | Door Seal Glue |
| | * | Not Shown | |

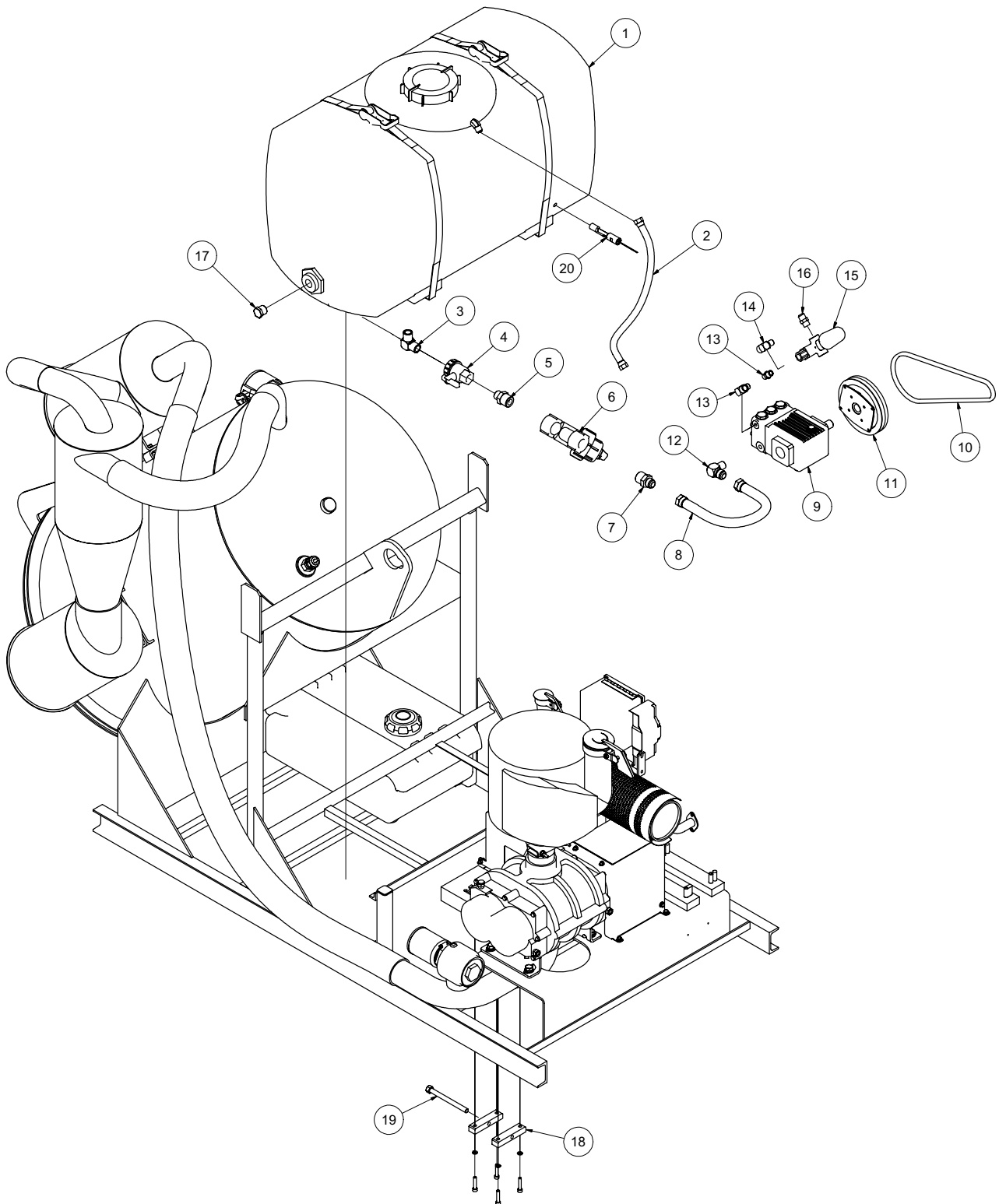
ENGINE AND CONTROL ASSEMBLY



ENGINE AND CONTROL ASSEMBLY

| ITEM | QTY. | NUMBER | DESCRIPTION | ITEM | QTY. | NUMBER | DESCRIPTION |
|------|------|---------|------------------------------|------|------|---------|--------------------------|
| 1 | 1 | 8030332 | Silencer | 17 | 1 | 8031154 | Gas Tank (6.5 gallon) |
| | 1 | 8030447 | Rain Cap | 4 | 4 | U000040 | Screw, HC 1/4-20 X .75" |
| 2 | 1 | 8042042 | Sheave, 3.75" OD | 4 | 4 | U210020 | Washer, Lock 1/4" |
| | 1 | 8042043 | Bushing, 7/8" | 4 | 4 | U200020 | Washer, Flat 1/4" |
| | 1 | U410041 | Key 3/16" x 3/4" | 18 | 1 | 8031157 | Engine, Honda 24 HP |
| 3 | 1 | 8042429 | Hub 602 1.850" | 1 | 1 | 8031161 | Ignition Key |
| | 1 | 8042334 | Bushing .875" x 1.850" | 1 | 1 | 8031162 | Air Filter |
| 4 | 1 | P260110 | Center Member 602 | 1 | 1 | 8031163 | Preair Filter |
| | 1 | 8042362 | Bolt Set 602 | 1 | 1 | 8041822 | Fuel Filter |
| 5 | 1 | 8042430 | Hub 602 2.165" | 4 | 4 | U000560 | Screw, HC 3/8-16 X 3.00" |
| | 1 | 8042346 | Bushing 1.125" x 2.165" | 4 | 4 | U100060 | Nut, Hex 3/8-16 |
| 6 | 2 | 8030395 | 3" U-Bolt Clamp | 4 | 4 | U210060 | Washer, Lock 3/8" |
| 7 | 1 | 8030287 | Adapter | 4 | 4 | U200600 | Washer, Flat 3/8" |
| 8 | 1 | 8040000 | Blower | 19 | 1 | 8031158 | Muffler |
| | 4 | U000840 | Screw, HC 1/2-13 X 1.50" | 1 | 1 | 8040420 | Muffler Elbow |
| | 4 | U200100 | Washer, Flat 1/2" | 1 | 1 | 8040422 | 1 1/2" Rain Cap |
| | 4 | U100120 | Nut, Hex 1/2-13 | 1 | 1 | 8040421 | 1 1/2" U-Bolt Clamp |
| 9 | 1 | 8043331 | 3" x 3-1/2" Long Nipple | 20 | 2 | 8040206 | Engine Riser Block |
| 10 | 1 | 8030213 | 3" NPT Elbow | 21 | 1 | - | Tank Shut-Off Assembly |
| 11 | 1 | 8040188 | Inlet Elbow | 1 | 1 | 8030531 | Float Switch |
| 12 | 1 | 8040194 | Kunkle Valve | 2 | 2 | 8040879 | Rubber Gasket |
| 13 | 1 | 8040340 | Kunkle Valve Filter | 2 | 2 | U200170 | Washer, Flat 1" |
| 14 | 1 | 8040198 | Coupling Guard | 1 | 1 | X000108 | Thin Locknut |
| | 9 | U000040 | Screw, HC 1/4-20 X .75" | 1 | 1 | X000109 | Strain Relief |
| | 9 | U210020 | Washer, Lock 1/4" | 1 | 1 | X000112 | Extension Body |
| | 9 | U200020 | Washer, Flat 1/4" | 1 | 1 | 8041324 | Elbow, Street 3/4" |
| | 6 | U100020 | Nut, 1/4-20 | 1 | 1 | 8041854 | Cable Vac SO4-87 |
| 15 | 1 | 8040239 | Battery Box w/ Strap | 22 | 1 | 8030689 | Manual Box |
| | 1 | X400040 | Battery | 23 | 1 | 8040886 | Tool Rack |
| | 2 | U000020 | Screw, HC 1/4-20 X .75" | 1 | 1 | 8040884 | Tool Rack Closure |
| | 2 | U210020 | Washer, Lock 1/4" | 1 | 1 | R700175 | R-Clip 7/8" |
| 16 | 1 | 8040908 | Control Box (Enclosure Only) | 1 | 1 | 8041259 | Strap, 10" |
| | 1 | 8040418 | Solenoid Mount Plate | 1 | 1 | 8041485 | Lanyard Cable |
| | 1 | 8030443 | Solenoid ST80 | | | | |
| | 1 | X600411 | Terminal Block | | | | |
| | 1 | X000350 | Hour Meter | | | | |
| | 1 | X000095 | Switch, Water Pump | | | | |
| | 2 | U000040 | Screw, HC 1/4-20 X .75" | | | | |
| | 2 | U210020 | Washer, Lock 1/4" | | | | |
| | 2 | U200020 | Washer, Flat 1/4" | | | | |
| | 1 | 8041268 | Switch, Override | | | | |
| | 2 | 8030457 | Light, Panel | | | | |
| | 3 | 8040185 | Relay | | | | |
| | 3 | 8040184 | Relay Socket | | | | |

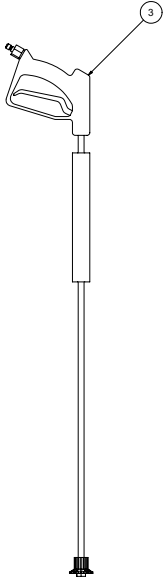
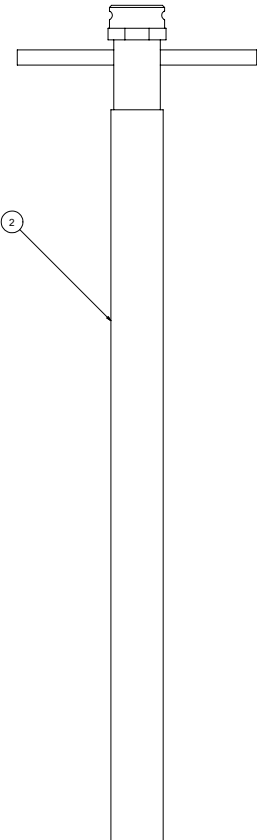
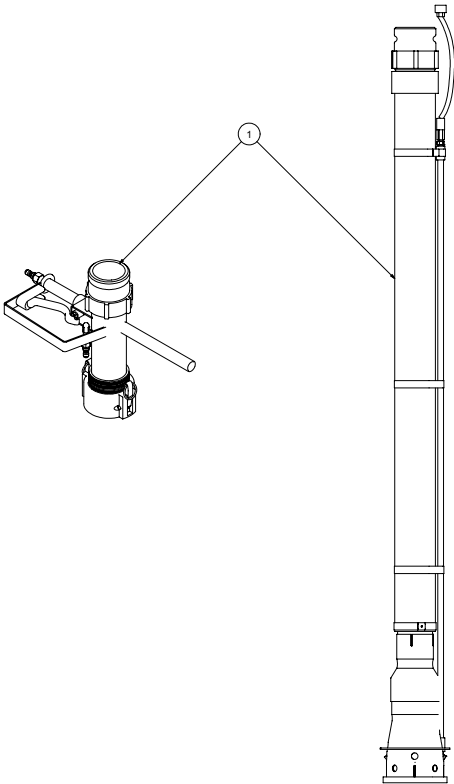
WATER ASSEMBLY AND ACCESSORIES



WATER ASSEMBLY AND ACCESSORIES

| ITEM | QTY. | NUMBER | DESCRIPTION |
|------|------|---------|--------------------------------|
| 1 | 1 | 8034151 | Water Tank, 50 Ga. |
| | 2 | 8040196 | Water Tank Ratchet Straps |
| | 1 | 8030518 | Adapter, Bulkhead 45 Deg. 8MJ |
| | 1 | 8041148 | Bulkhead, 3/4" NPT |
| | 1 | 8030518 | 1/2" Bulkhead 45 Deg. |
| 2 | 1 | 8041322 | Hose Vac Push 8-20 |
| | 2 | 8030524 | 1/2" Push Lock Fitting |
| 3 | 1 | T401040 | Elbow, 90 Deg. 3/4 MP - 3/4 MP |
| 4 | 1 | T000185 | Ball Valve, 3/4 FNPT |
| 5 | 1 | T404060 | Reducer, 1 MP - 3/4 MP |
| 6 | 1 | 8040186 | 1" Y - Strainer |
| 7 | 1 | T400450 | Union, 1 MP - 3/4 MJ |
| 8 | 1 | 8041323 | Hose Vac Push 12-4 |
| | 2 | 8030525 | 3/4" Push Lock Fitting |
| 9 | 1 | 8040175 | Water Pump |
| 10 | 1 | 8034157 | Belt, AX-39 |
| 11 | 1 | 8040176 | Water Pump Clutch |
| 12 | 1 | T401155 | Elbow, 90 Deg. 1/2 MP - 3/4 MJ |
| 13 | 2 | T401065 | Elbow, 3/8 MP - 3/8 FP |
| 14 | 1 | T400803 | Union, 3/8 MP - 3/8 MP |
| 15 | 1 | 8040177 | Unloader Valve |
| 16 | 1 | T400030 | Union, 1/2 MJ - 3/8 MP |
| 17 | 1 | T405065 | Plug, 3/4" NPT |
| 18 | 2 | 8040219 | Water Pump Adjusting Block |
| | 4 | U010295 | Screw, HSH M8 X 1.25 X 40MM |
| | 4 | U210055 | Washer, Lock M8 |
| 19 | 1 | 8030020 | Tensioner Rod |
| 20 | 1 | 8030343 | Low Water Switch |

TOOLS

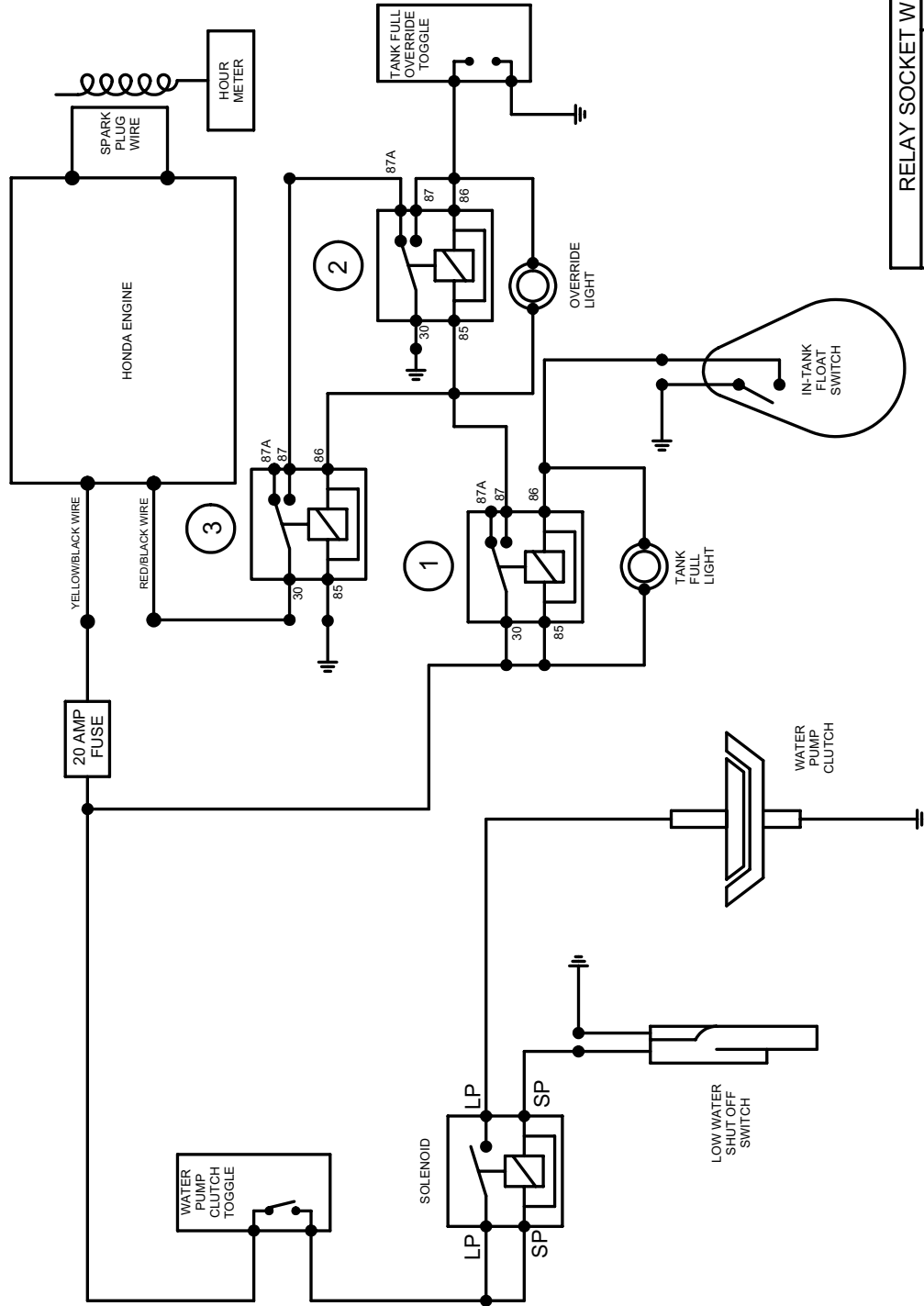


TOOLS

| Item | Qty | Number | Description | Item | Qty | Number | Description |
|------|-----|---------|----------------------------------|------|-----|---------|-------------------------------|
| 1 | 1 | 8041906 | Tool Vac Reduction 100 Complete | * | 1 | 8030839 | Vacuum Hose Assembly 3" x 16' |
| | 1 | 8030635 | Tool Vac Head Assy 3" | | 1 | 8030179 | Banjo 3" Male |
| | 2 | 8030486 | Quick Disconnect SS | | 1 | 8030392 | Banjo 3" Female |
| | 1 | 8031079 | Banjo 3" Male | | 2 | 8030240 | Hose Adapter 3" |
| | 1 | 8030392 | Banjo 3" Female | | 1 | 8041325 | Vacuum Hose 3" Kanaflex |
| | 1 | 8030928 | Trigger Assembly | * | 1 | 8041830 | High Pressure Water Hose |
| | 1 | 8030179 | Tool Vac Reduction Lower Section | * | 1 | 8030504 | Reducer 3/8"FP - 1/4"MP |
| | 3 | 8030370 | Reduction Tool Nozzle | * | 1 | 8030487 | Q.D. Female 1/4"FP |
| | 1 | T405030 | 1/4" Plug | | | | |
| | 1 | 8031079 | Banjo 3" Male | * | | | Not Shown |
| | 1 | 8040333 | Reduction Tool Collar | | | | |
| 2 | 1 | 8030215 | Tool Vac Suction 3" Complete | | | | |
| 3 | 1 | 8030348 | Tool Vac Spray Wand Complete | | | | |
| | 1 | 8030928 | Trigger Assembly | | | | |
| | 1 | 8030847 | Wand | | | | |
| | 1 | 8031308 | Nozzle | | | | |

V100G ELECTRICAL SCHEMATIC

WIRING SCHEMATIC



| RELAY CONNECTOR | WIRE COLOR |
|-----------------|------------|
| 30 | BLACK |
| 85 | WHITE |
| 86 | RED |
| 87A | BLUE |
| 87 | GREEN |

WARRANTY RETURN GOODS POLICY

LIMITED WARRANTY

The Manufacturer warrants its products to be free from defects in material and workmanship for a period of twelve months from the date of shipment from the factory. The Manufacturer shall not be responsible for any damage resulting to or caused by its products by reason of installation, improper storage, unauthorized service, alteration of the products, neglect or abuse, or use of the product in a manner inconsistent with its design. The warranty does not extend to any component parts not manufactured by Manufacturer; however, Manufacturer's warranty herein shall not limit any warranties made by manufacturers of component parts which extend to Buyer.

Claims for defects in material and workmanship shall be made in writing to Manufacturer within ten days of discovery of defect. Manufacturer may either send a service representative or have the product returned to its factory at Buyer's expense for inspection. Upon notification of defect, Manufacturer will issue a return goods authorization number to Buyer. The return goods authorization number must accompany the product returned. If judged by the Manufacturer to be defective in material or workmanship, the product will be replaced or repaired at the option of the Manufacturer, free from all charges except authorized transportation. Buyer shall be responsible for all maintenance services consisting of lubrication and cleaning of equipment, replacing expandable parts, making minor adjustments, and performing operating checks, all in accordance with procedures outlined in Manufacturer's maintenance literature.

THE FOREGOING WARRANTY IS IN LIEU OF ALL OTHER WARRANTIES AND NO REPRESENTATIONS, GUARANTEES, OR WARRANTIES, EXPRESS OR IMPLIED, (INCLUDING BUT NOT LIMITED TO A WARRANTY OF MERCHANTABILITY OR FITNESS FOR A PARTICULAR PURPOSE), ARE MADE BY THE MANUFACTURER IN CONNECTION WITH THE MANUFACTURE OR SALE OF ITS PRODUCTS. NO EMPLOYEE, DISTRIBUTOR, OR REPRESENTATIVE IS AUTHORIZED TO CHANGE THIS WARRANTY ON BEHALF OF MANUFACTURER. THE REMEDIES OF BUYER SET FORTH HEREIN ARE EXCLUSIVE AND ARE IN LIEU OF ALL OTHER REMEDIES. THE LIABILITY OF MANUFACTURER WHETHER IN CONTRACT, TORT, UNDER ANY WARRANTY, OR OTHERWISE SHALL NOT EXTEND BEYOND ITS OBLIGATION TO REPAIR OR REPLACE, AT ITS OPTION ANY PRODUCT OR PART FOUND BY MANUFACTURER TO BE DEFECTIVE IN MATERIAL OR WORKMANSHIP. MANUFACTURER SHALL NOT BE LIABLE FOR COST OF INSTALLATION AND/OR REMOVAL OR BE RESPONSIBLE FOR DIRECT, INDIRECT, SPECIAL OR CONSEQUENTIAL DAMAGES OF ANY NATURE.

GENERAL RETURNS OF MERCHANDISE

1. All returns must be pre-authorized
 - A. Please call our parts department for an RGA number
 - B. Please include RGA number on the outside of box
 - C. Include any required paper work or special instructions
 - D. Items returned without an RGA number will not be accepted
2. All returns are subject to a 20% restock charge.
3. Special items are non-returnable
 - A. Non-stock parts
 - B. Custom parts
 - C. If you are unsure about a parts status when ordering, ask your McLaughlin representative if the item fits on of the above conditions.
4. Items must be returned within thirty days of original order date.
5. Items not returned within 30 days from the date of RGA is issued will not be accepted.
6. The item(s) must be in new condition. Used item(s) are not returnable.

