



2006 Perimeter Road. Greenville, SC 29605
Toll Free: 800/435-9340 - Phone: 864/277-5870
Fax: 864/235-9661 - Website address: www.mightymole.com
Email address: mmole@mightymole.com

Parts Manual
Vermeer/McLaughlin V250 Vacuum Machine
Part #E850250
(Serial #250ED112805574 - 250ED051106650)

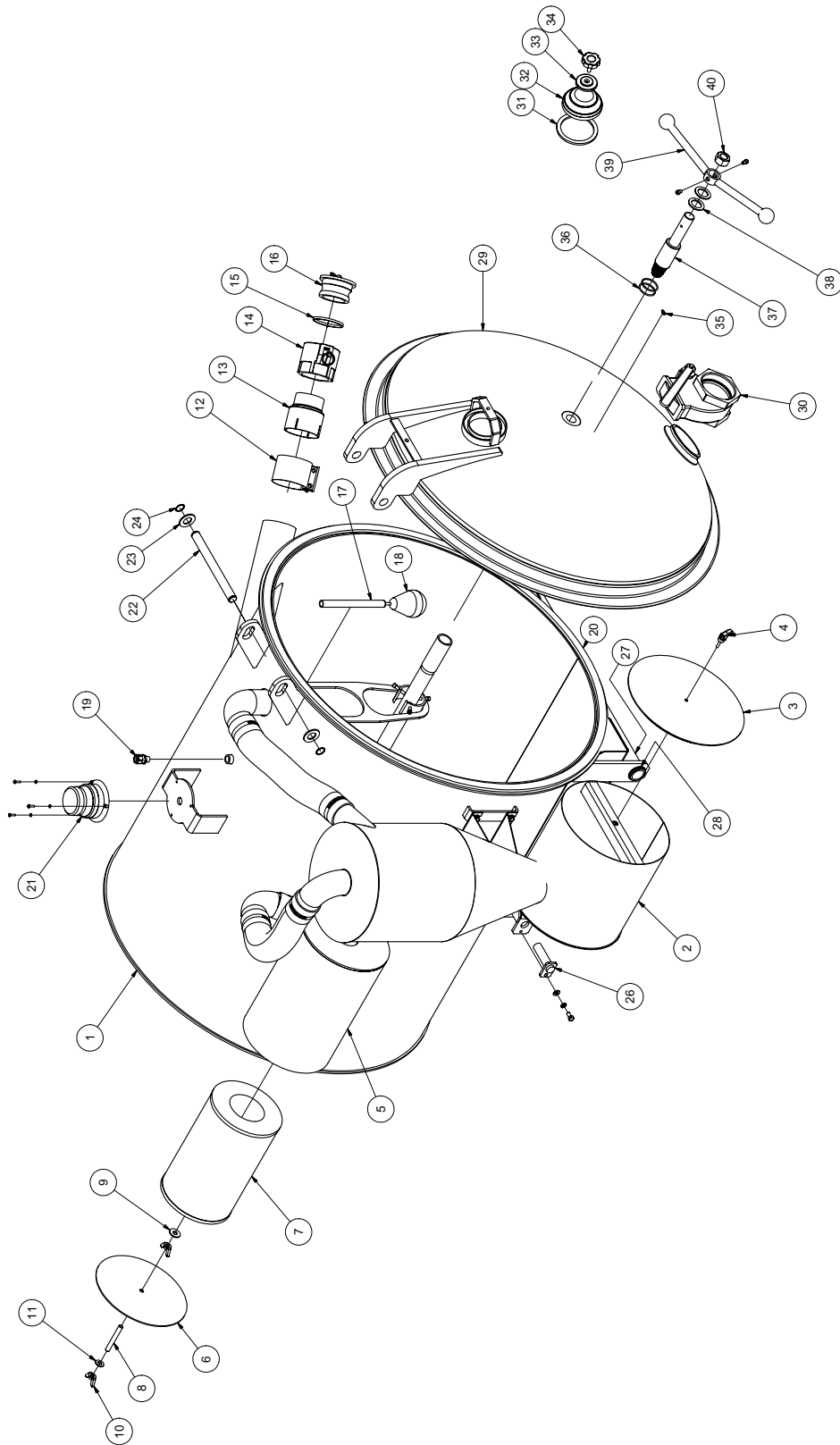
© 2006 by McLaughlin Group, Inc.

061306

All rights reserved. No part of this manual may be reproduced in any form, or by any means without prior written permission of McLaughlin Group, Inc.

Tank and Door Assembly

V250



VACASSY001

Tank and Door Assembly

V250

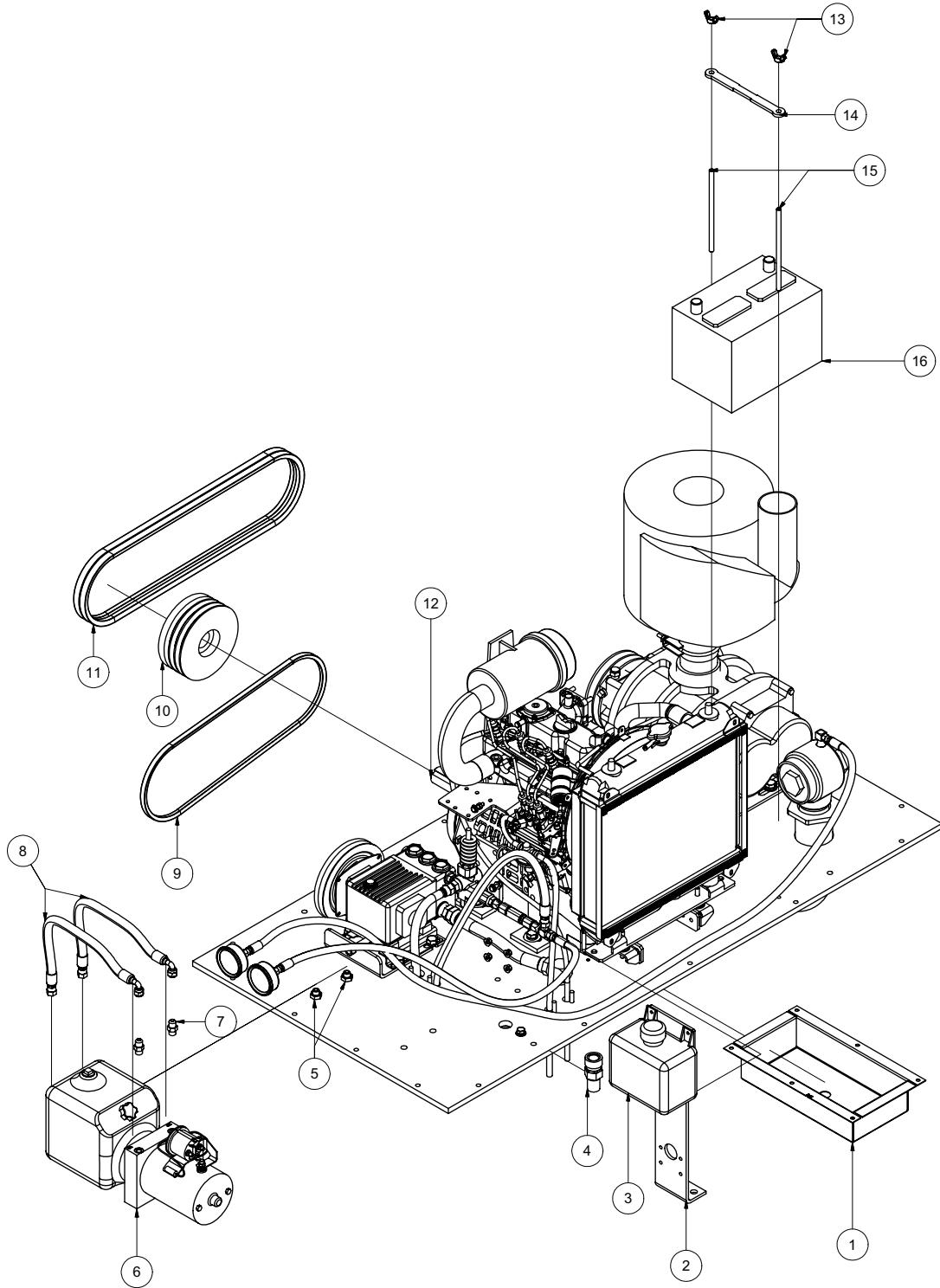
ITEM	QTY	NUMBER	DESCRIPTION	ITEM	QTY	NUMBER	DESCRIPTION
1	1	8040602	TANK				
2	1	8040313	CYCLONE SEPARATOR HOUSING	22	1	8040058	DOOR HINGE ROD
	4	U000420	SCREW, HC 3/8-16 X 1.00	23	2	8030171	DOOR HINGE WASHER
	4	U200600	WASHER, FLAT 3/8"	24	2	8030362	1" SNAP RING
3	1	8040315	CYCLONE SEPARATOR DOOR	25	2	8040633	HYDRAULIC CYLINDER
	1	8040079	CYCLONE SEPARATOR DOOR SEAL	26	4	8040753	CYLINDER PIN
4	1	8040334	SWELL LATCH		4	U000400	SCREW, HC 3/8-16 X 0.75
5	1	8040326	AIR FILTER HOUSING		4	U210060	WASHER, LOCK 3/8"
	4	U000420	SCREW, HC 3/8-16 X 1.00	27	1	8040872	SPLIT PIVOT TUBE
	4	U200600	WASHER, FLAT 3/8"		1	8040870	SPLIT PIVOT TUBE SHANK
6	1	8040043	AIR FILTER HOUSING DOOR		2	8040871	SPLIT PIVOT TUBE PIN
	1	8040089	AIR FILTER HOUSING DOOR SEAL	28	2	8030363	2" SPIRAL SNAP RING
7	1	8031178	AIR FILTER ELEMENT	29	1	8040616	DOOR
8	1	8040302	THREADED ROD	30	1	8030916	GATE VALVE
9	1	8031036	SEALING WASHER		1	8030431	4" CLOSE NIPPLE
10	2	U130080	WING NUT, 1/2-13	31	1	8032007	4" COUPLER GASKET
11	1	U200100	WASHER, FLAT 1/2"	32	1	8031048	SIGHT GLASS
12	1	8030400	4" BAND CLAMP	33	1	8031047	SIGHT GLASS PLATE
13	1	8031044	3" SUCTION PORT ADAPTER	34	1	8031046	SIGHT GLASS HAND WHEEL
14	1	8030392	3" FEMALE COUPLER	35	1	T500080	FITTING, GREASE 3/16"
15	1	8031042	3" COUPLER GASKET	36	2	W200120	ORING #225 BUNA
16	1	8030393	3" COUPLING PLUG	37	1	8040306	DOOR STRIKER
17	1	8040769	HIGH LEVEL FLOAT SWITCH TUBE	38	3	8030174	SPACER
18	1	8030531	HIGH LEVEL FLOAT SWITCH	39	1	8040235	DOOR HANDLE
19	1	X000113	STRAIN RELIEF, 1/2"		2	U010040	SCREW, HSH 5/16-18 X 0.50
20	1	8040874	DOOR SEAL		2	J400060	KNOB
21	1	8030347	STROBE LIGHT	40	1	U120060	LOCKNUT, NYLON 1" - 8
	3	U010006	SCREW, PHILLIPS #10-24 X 1"	*		8030420	3" KANAFLEX
	3	U210005	WASHER, LOCK #10	*	2	8030369	NOZZLES
	3	U100010	NUT, HEX #10-24				

* ITEM NOT SHOWN

VACASSY001

Power Pack Assembly

V250



VACASSY101

Power Pack Assembly

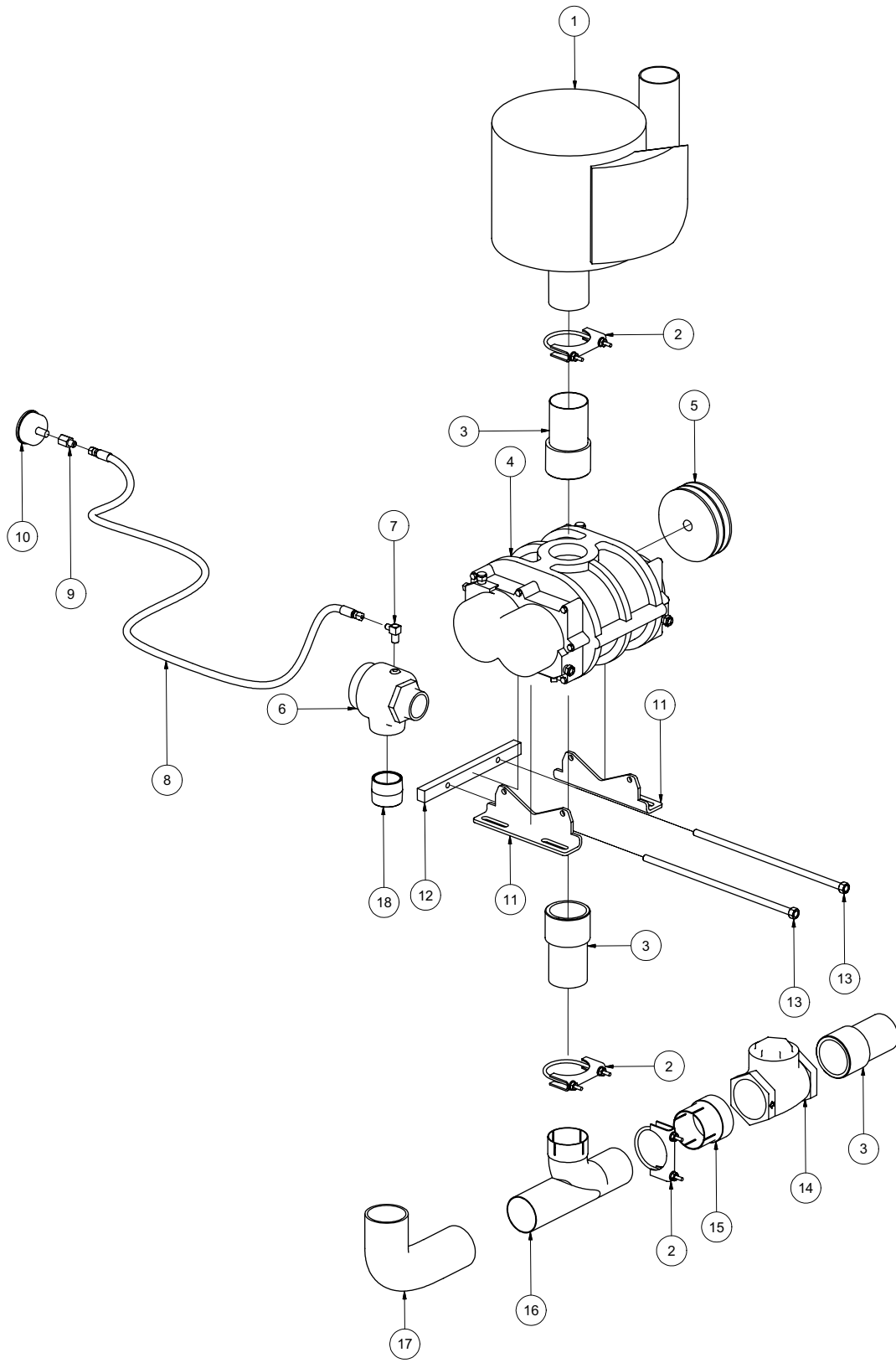
V250

ITEM	QTY	NUMBER	DESCRIPTION
1	1	8040722	DRIP PAN
	6	U000400	SCREW, HC 1/4"- 20 X 3/4"
	6	U210020	WASHER, LOCK 1/4"
	6	U200020	WASHER, FLAT 1/4"
2	1	8040577	WATER REGULATOR/ OVERFLOW BRACKET
	2	U000817	SCREW, HC 1/2"-13 X 1"
	2	U210100	WASHER, LOCK 1/2"
	2	U200100	WASHER, FLAT 1/2"
3	1	8040645	TANK, OVERFLOW COOLANT
	3	U000040	SCREW, HC 1/4"-20 X 3/4"
	6	U200020	WASHER,FLAT 1/4"
	3	U210020	WASHER, LOCK 1/4"
4	3	U100020	NUT, HEX 1/4"-20
	1	X000112	CONNECTOR, PANEL 3/4 MNPT-3/4FNPT
	1	X000109	STRAIN RELIEF, 3/4"
	1	X000108	3/4" COUPLING NUT
5	2	T400391	BULKHEAD 6MP 6MP
6	1	8040486	HYDRAULIC POWER PACK, 12V (MONARCH)
	2	U000420	SCREW, HC 3/8"-16 X 1"
	2	U210060	WASHER, LOCK 3/8"
	2	U200600	WASHER, FLAT 3/8"
7	2	T400037	UNION 6MB-6MJ
8	2	8040973	HOSE ASSEMBLY HYDRAULIC
	2	-	#6 PRESSURE HOSE 20" LONG
	4	-	FITTING, HOSE 6HO 6FJ
9	1	8040878	BELTAX45
10	1	8040695	SHEAVE 6.55" OD SD 3-GROOVE
	1	8040696	BUSHING 1 1/8" SD
	1	U410090	KEY 1/4" X 1/4" X 2 1/2"
11	2	8040877	BELT BX56
12	1	8040748	KUBOTADH902
	1	8040748-1	MUFFLER
	4	U000820	SCREW, HC 1/2"-13 X 1 1/4"
	4	U210100	WASHER, LOCK 1/2"
	4	U200100	WASHER,FLAT 1/2"

VACASSY101

Blower Assembly

V250



VACASSY201

Blower Assembly

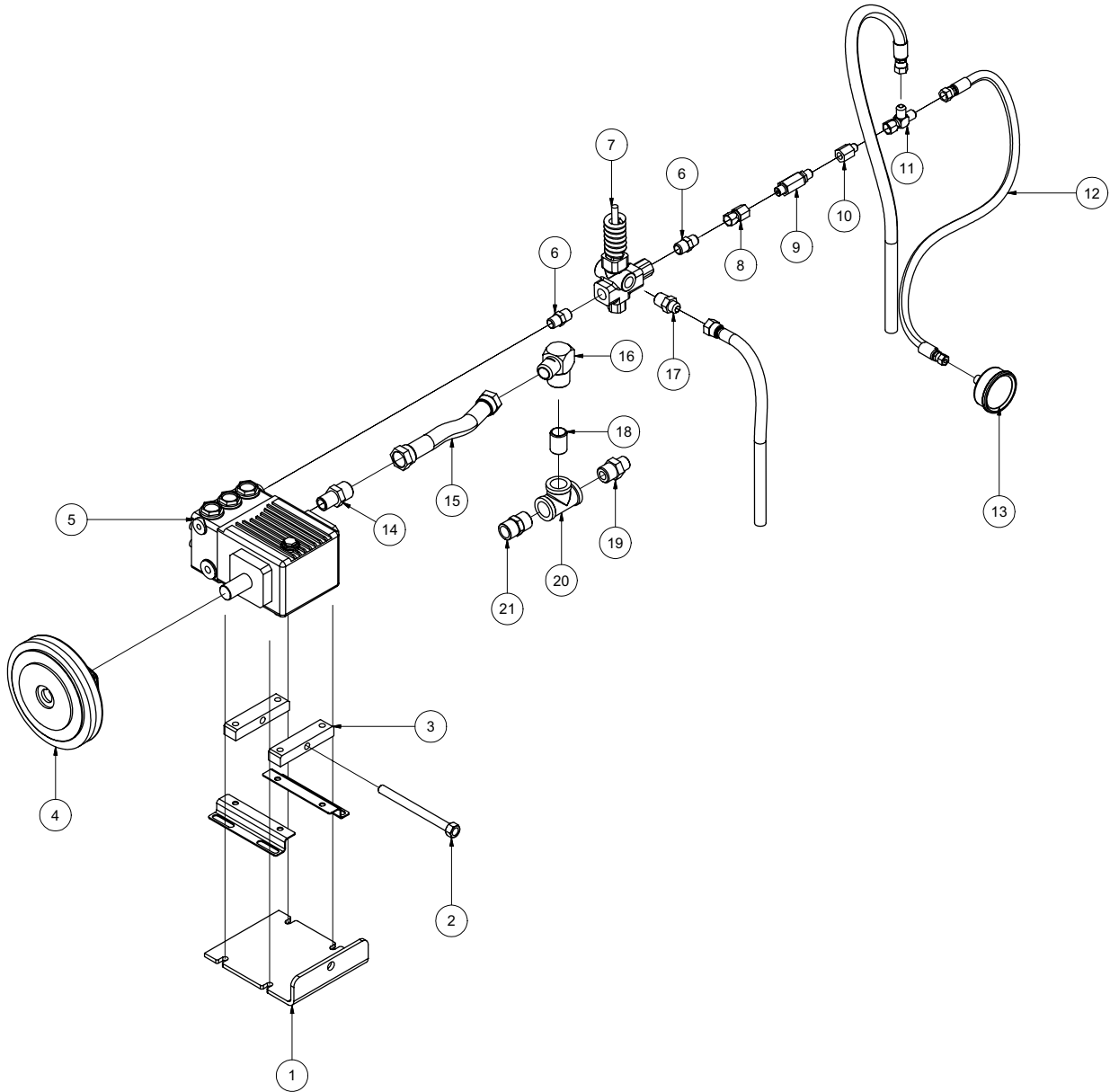
V250

ITEM	QTY	NUMBER	DESCRIPTION
1	1	8030332	SILENCER, 575 CFM, COWL
2	3	8030395	3" U-BOLT CLAMP
3	3	8030287	3" HOSE X 3" MNPT ADAPTER
4	1	8040000	BLOWER (MODEL 47)
	4	U000817	SCREW, HC 1/2"-13 X 1"
	4	U210100	WASHER, LOCK 1/2"
	4	U200100	WASHER, FLAT 1/2"
5	1	8040697	SHEAVE 6.55 DIA 2 GROOVE
	1	8040642	BUSHING 7/8" SDS
	1	U410042	KEY 3/16" X 3/16" X 2"
6	1	8030337	KUNKLE VALVE, 575 CFM
7	1	T401100	ELBOW 4MP 4MJ 90
8	1	8040970	HOSE ASSEMBLY VACUUM GAUGE
		-	#4 PRESSURE HOSE 70" LONG
		-	FITTING, HOSE 4HO 4FJ
9	1	8030483	UNION, 4FP 4MJ
10	1	8030371	HYD PRESSURE GAUGE
11	2	8040559	BLOWER FOOT (MODEL 47)
12	1	8040702	TENSION BLOCK 575 CFM
13	2	8040751	BLOWER TENSIONER ROD
14	1	8040799	CHECK VALVE 3" FNPT
15	1	8040788	EXHAUST ADAPTER 3"MNPT - 3"ID
16	1	8041033	HEADER INLET-BLOWER WELD'T
17	1	8040984	3" INLET HEADER HOSE
18	1	8030409	2" CLOSE NIPPLE

VACASSY201

Water Pump Assembly

V250



VACASSY301

Water Pump Assembly

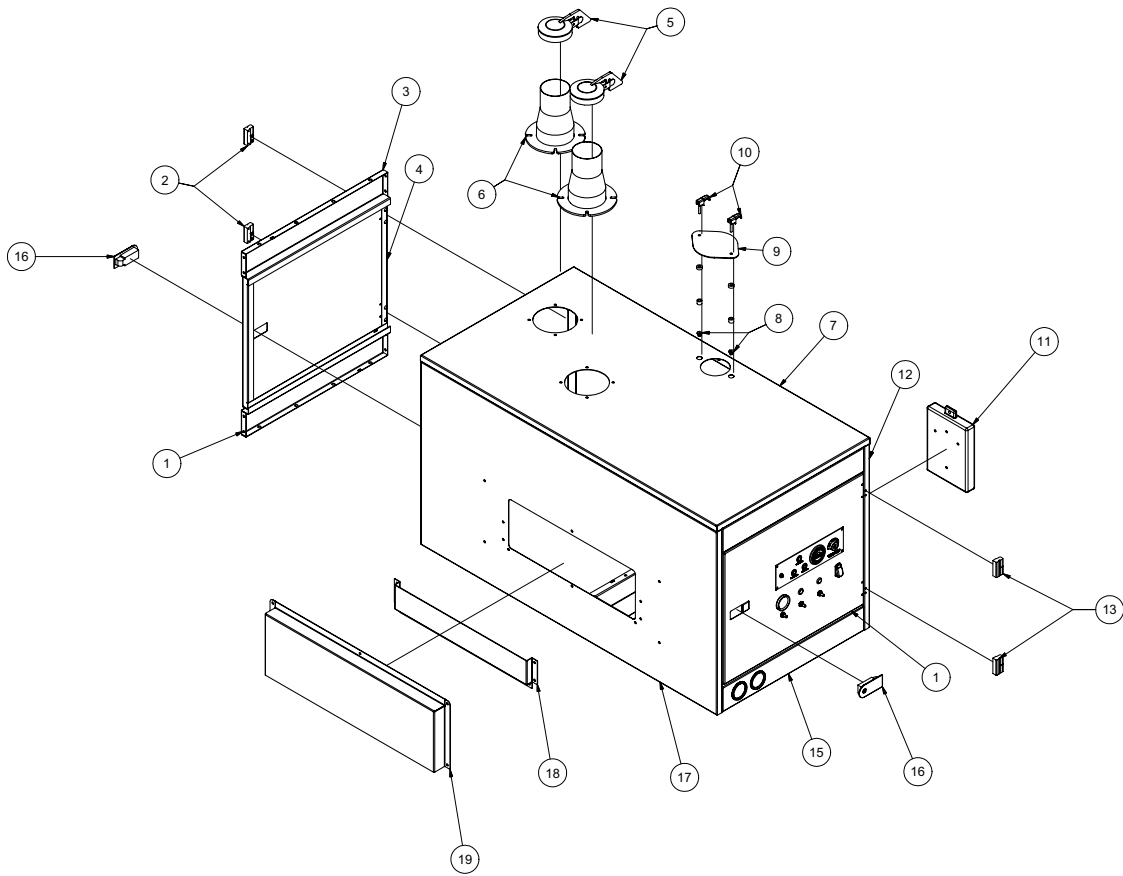
V250

ITEM	QTY	NUMBER	DESCRIPTION
1	1	8040746	WATER PUMP TENSIONER PLATE
	4	U000420	SCREW, HC 3/8"-16 X 1"
	4	U210060	WASHER, LOCK 3/8"
	4	U200600	WASHER, FLAT 3/8"
2	1	8040751	WATER PUMP TENSIONER ROD
3	2	8040219	WATER PUMP TENSIONER BLOCK
4	1	8040176	WATER PUMP CLUTCH
5	1	8040834	WATER PUMP (TX1510)
	4	U001605	SCREW, HC 8MM X 1.25 X 40
	4	U210055	WASHER, LOCK M8
	1	U410094	KEY 5/16" X 5/16" X 1 3/8"
6	2	T400805	UNION, 8MP 6MP
7	1	8030341	UNLOADER VALVE
8	1	8031125	UNION, 6FJ 4FP
9	1	8030923	HIGH PRESSURE WATER FILTER
10	1	8031126	UNION, 4FP 6MJ
11	1	T402153	TEE, 6MJ 6MJ 6FJ
12	1	8041152	HOSE ASSEMBLY, PRESSURE GAUGE
		-	#4HIGH PRESSURE HOSE 30" LONG
		-	FITTING, HOSE 4HO 6FJ
		-	FITTING, HOSE 4HO 4FJ
13	1	8030372	WATER PRESSURE GAUGE 1/4NPT
14	1	T400070	UNION, 8MP 12MJ
15	1	-	HOSE ASSEMBLY, INLET WATER
	1	8030539	#12 PUSH LOCK HOSE 8.5" LONG
	2	8030525	FITTING, HOSE #12FJ PUSH LOCK
16	1	T401180	ELBOW, 12MP 12MJ
17	1	T400040	UNION, 8MP 8MJ
18	1	T421020	NIPPLE,PIPE 12MP 12MP
19	1	T404030	UNION, 12MP 8MP
20	1	T402160	TEE 12FP 12FP 12FP
21	1	T400100	UNION, 12MP 12MJ

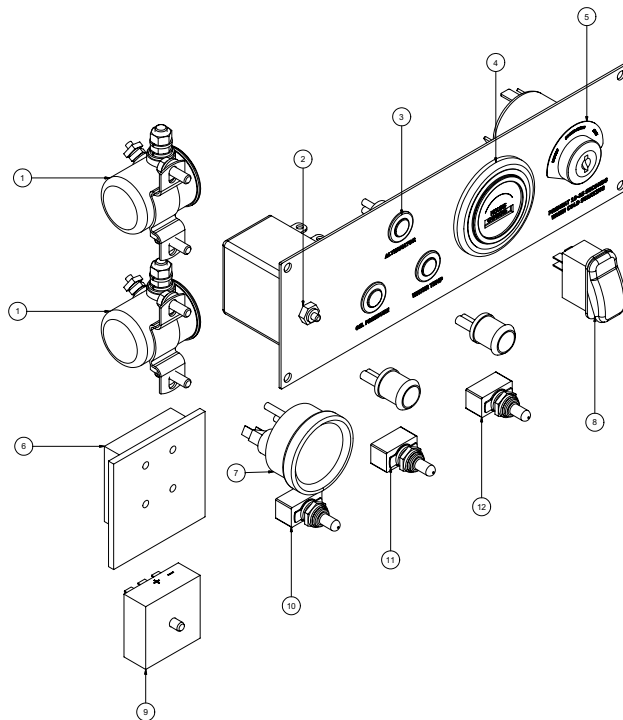
VACASSY301

Enclosure Assembly

V250



VACASSY401



VACASSY502

Enclosure Assembly

V250

ITEM	QTY	NUMBER	DESCRIPTION
1	1	8041112	SIDE PANEL
2	2	8040589	OFFSET HINGE TYPE A
	8	U030525	SCREW, PAN HD #10-32X1/2
3	2	8040718	UPPER SIDE PANEL
4	1	8040713	DOOR
5	2	8040742	RAIN CAP 4"
6	2	8040739	EXHAUST WELDMENT
7	1	8040719	TOP SHEET
8	2	U120142	NUT, FLANGED LOCK 1/4-20
9	1	8040592	RADIATER ACCESS PLATE
10	2	8040334	LATCH, SWELL
11	1	8030689	MANUAL BOX
12	1	8041107	FRONT SHEET
13	2	8040588	OFFSET HINGE TYPE B
	8	U030525	SCREW, PAN HD #10-32X1/2
14	1	8040743	DOOR, CONTROL
15	1	8041109	SIDE PANEL W/ GAUGES
16	2	8040586	LATCH, LEVER LOCKABLE
17	1	8041108	BACK SHEET
18	1	8040565	SMALL BAFFLE
19	1	8040566	LARGE BAFFLE
	72	U000060	SCREW, HC 1/4-20X1
	126	U200020	WASHER, FLAT 1/4
	72	U210020	WASHER, LOCK 1/4
	54	U100020	NUT, HEX 1/4-20

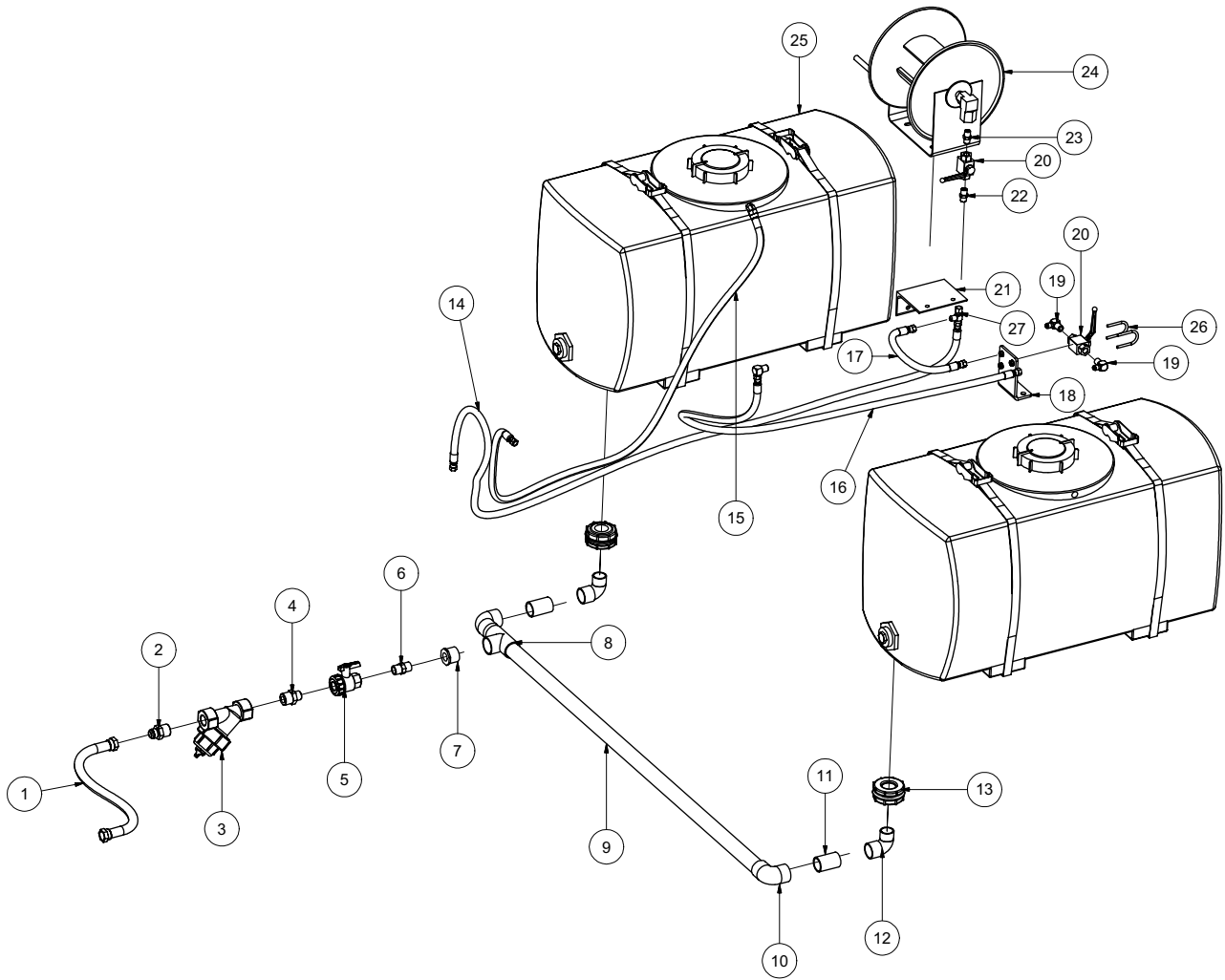
VACASSY401

ITEM	QTY	NUMBER	DESCRIPTION
1	2	8030443	80-12V SOLENOID
2	1	8030455	MURPHY SWITCH
3	5	8030457	PANEL LIGHTS
4	1	8030456	HOUR METER
5	1	8030458	KEY SWITCH
	1	8030829	KEYS
6	1	8031257	FUSE PANEL 8 POS.
	1	8030468	10 AMP FUSE
	6	8030461	5 AMP FUSE
7	1	8030330	FUEL GAUGE
8	1	X000021	ROCKER SWITCH THROTTLE HIGH/LOW
9	1	8031231	SWITCH, DELAY RELAY
10	1	8041077	SWITCH, TANK RAISE/LOWER
11	1	X000095	SWITCH, FULL TANK OVERRIDE
12	1	X000095	SWITCH, WATER PUMP CLUTCH
*	1	8030826	INLINE 20 AMP FUSE

VACASSY502

Water Tank Assembly

V250



VACASSY602

Water Tank Assembly

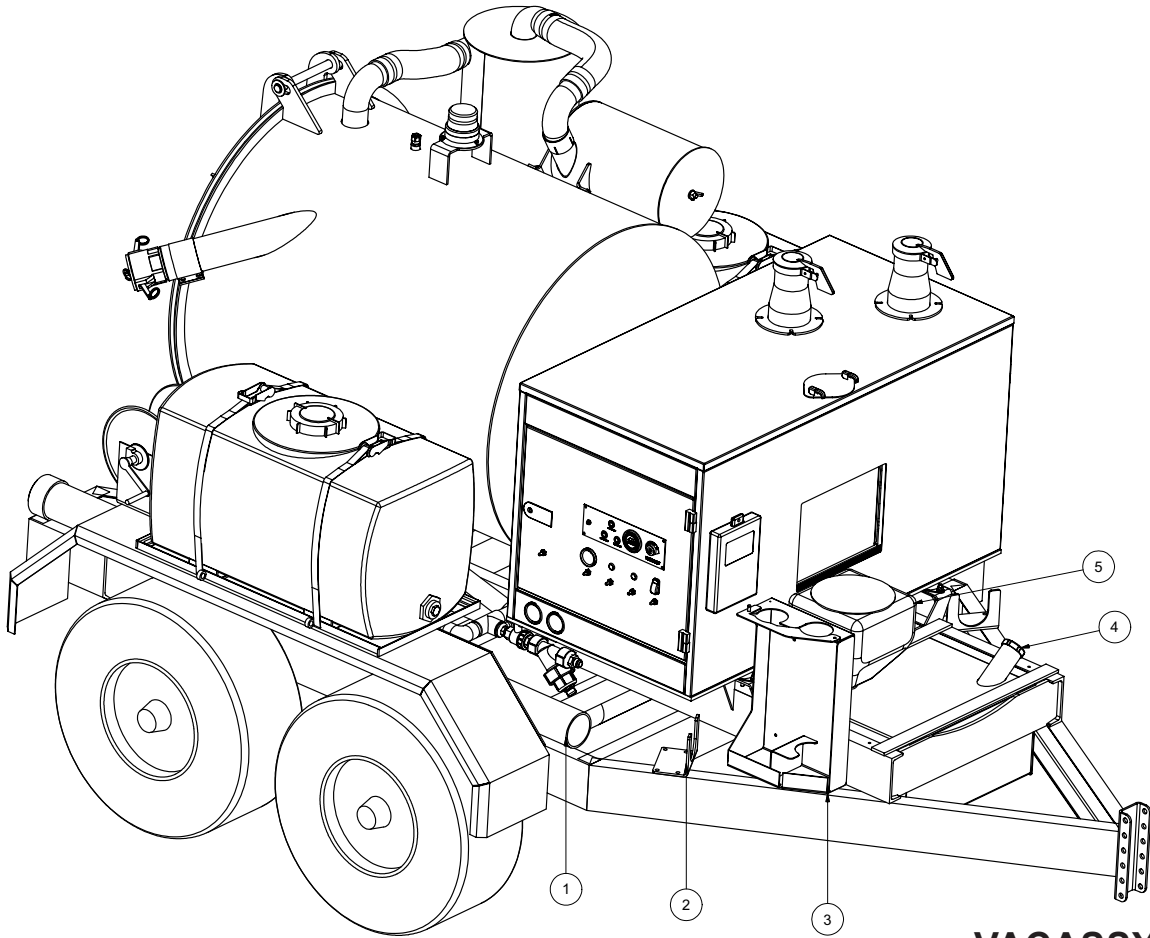
V250

ITEM	QTY	NUMBER	DESCRIPTION
1	1	-	HOSE - WATER PUMP SUCTION
	1	8030539	#12 PUSH LOCK HOSE 36" LONG
	2	8030525	FITTING, HOSE #12FJ PUSH LOCK
2	1	T400450	UNION, 12MJ-16MP
3	1	8040186	STRAINER
4	1	T404060	UNION, 16MP-12MP
5	1	8030376	BALL VALVE, POLY 3/4" FP
6	1	T400800	UNION, 12MP-12MP
7	1	8030095	UNION, PVC 3/4"FP-1 1/4"SO
8	1	8041049	TEE, PVC 1 1/4"SO-1 1/4"SO-1 1/4"SO
9	1	8041121	PIPE - 1 1/4" PVC X 55" LG
10	2	8030096	ELBOW, PVC 1 1/4"SO-1 1/4"SO
11	3	8041076	PIPE - 1 1/4" PVC X 2 1/2" LG
12	2	8041122	ELBOW, PVC 1 1/4"MP-1 1/4"SO
13	2	8041044	BULKHEAD, POLY 1 1/4" FP
14	1	8041060	HOSE - PUMP TO REEL
15	1	-	BY-PASS HOSE
	1	8030540	1/2" x 66" LG PUSH LOCK HOSE
	2	8030524	1/2" PUSH LOCK FITTING
16	1	8041062	HOSE - TANK CLEANOUT VALVE TO SPOIL TANK
17	1	8041061	HOSE - REEL TO TANK CLEANOUT VALVE
18	1	8040670	BALL VALVE BRACKET
19	2	T401102	ELBOW, 6MJ-6MP
20	2	8030351	BALL VALVE, STEEL 6FP
21	1	8040876	HOSE REEL BRACKET
	2	U000420	SCREW, HC 3/8"-16 X 1.0
	4	U200060	WASHER, FLAT 3/8"
	2	U210060	WASHER, LOCK 3/8"
	2	U100060	NUT, HEX 3/8"-16
22	1	T400028	UNION, 6MP-6MJ
23	1	T400803	UNION, 6MP-6MP
24	1	8030346	HOSE REEL
	4	U000420	SCREW, HC 3/8"-16 X 1.0
	8	U200060	WASHER, FLAT 3/8"
	4	U210060	WASHER, LOCK 3/8"
	4	U100060	NUT, HEX 3/8"-16
25	2	8034151	50 GALLON WATER TANK
	4	8040084	WATER TANK STRAP
	2	T405065	PLUG, 3/4" NPT
	2	8034151-1	TANK LID
26	2	U010017	U-BOLT, 1 1/2" X 1/4-20 UNC
	4	U120100	NUT, LOCK 1/4-20
	4	U200020	WASHER, FLAT 1/4"
27	1	T402153	TEE, 6MJ-6MJ-6FJ

VACASSY602

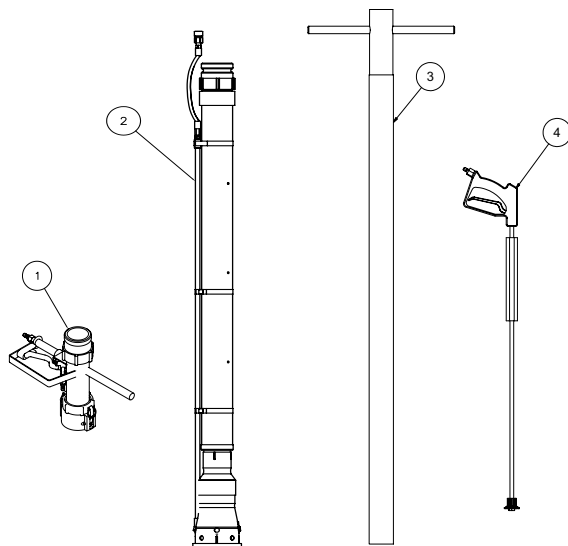
Trailer Assembly

V250



VACASSY901

Tools



VACASSY701

Trailer Assembly

V250

ITEM	QTY	NUMBER	DESCRIPTION	
1	2	8041111	HOSE STORAGE 4" X 10'	
	2	8030435	END CAP 4"	
	4	8031194	U-BOLT 5"	
2	2	8040940	HOSE STORAGE BRACKET	
	4	U100060	NUT, HEX 3/8"	
	4	U200600	WASHER, FLAT 3/8"	
	4	U210060	WASHER, LOCK 3/8"	
3	1	8040886	TOOL RACK	
	1	8040884	TOOL RACK CLOSURE	
4	1	8040763	FUEL TANK (20 GAL)	
	120"	8030459	5/16" FUEL LINE	
	1	3620144-1	FUEL CAP	
	1	8030697	FUEL SENDING UNIT	
	1	8030656	FUEL FILTER	
	5	1	8030394	ANTI-FREEZE TANK (4 GAL)
		4	U000180	SCREW, HC 5/16"-18 X .75"
4		U200040	WASHER, FLAT 5/16	
4		U210040	WASHER, LOCK 5/16	
1		T403100	UNION 12FP 20MP	
1		T401040	ELBOW 90 12MP 12MP	
1		8030376	BALL VALVE 3/4" FP	
1		T400080	UNION 8MJ - 12MP	
2		8030524	# 8 FJ PUSHLOCK	
36"		8030540	HOSE #8 PUSHLOCK	

VACASSY901

Tools

Item	Qty	Number	Description	Item	Qty	Number	Description
1	1	8030635	Tool Head	4	1	8030348	Spray Wand Complete
	2	8030486	Quick Disconnect SS		1	8030928	Trigger Assembly
	1	8031079	Banjo 3" Male		1	8030847	Wand
	1	8030392	Banjo 3" Female		1	8031308	Nozzle
	1	8030928	Trigger Assembly	*	2	8040250	Vacuum Hose Assembly 3" x 10'
2	1	8030179	Reduction Tool	1	8031079	Banjo 3" Male	
	4	8030370	Reduction Tool Nozzle	1	8030392	Banjo 3" Female	
	1	8031079	Banjo 3" Male	2	8030240	Hose Adapter 3"	
3	1	8030215	Vacuum Tool 3"	112"	8030420	Vacuum Hose 3" Kanaflex	

* ITEM NOT SHOWN

VACASSY701

WARRANTY RETURN GOODS POLICY

LIMITED WARRANTY

The Manufacturer warrants its products to be free from defects in material and workmanship for a period of twelve months from the date of shipment from the factory. Hole Hammer pistons, bodies, and nose pieces are warranted to be free from defects in material and workmanship for a period of three years from the date of shipment from the factory. The Manufacturer shall not be responsible for any damage resulting to or caused by its products by reason of installation, improper storage, unauthorized service, alteration of the products, neglect or abuse, or use of the product in a manner inconsistent with its design. This warranty does not extend to any component parts not manufactured by Manufacturer; however, Manufacturer's warranty herein shall not limit any warranties made by manufacturers of component parts which extend to Buyer.

Claims for defects in material and workmanship shall be made in writing to Manufacturer within ten days of discovery of defect. Manufacturer may either send a service representative or have the product returned to its factory at Buyer's expense for inspection. Upon notification of defect, Manufacturer will issue a return goods authorization number to Buyer. The return goods authorization number must accompany the product returned. If judged by the Manufacturer to be defective in material or workmanship, the product will be replaced or repaired at the option of the manufacturer, free from all charges except authorized transportation. Buyer shall be responsible for all maintenance services consisting of lubrication and cleaning of equipment, replacing expandable parts, making minor adjustments, and performing operating checks, all in accordance with procedures outlined in Manufacturer's maintenance literature.

THE FOREGOING WARRANTY IS IN LIEU OF ALL OTHER WARRANTIES AND NO REPRESENTATIONS, GUARANTEES, OR WARRANTIES, EXPRESS OR IMPLIED, (INCLUDING BUT NOT LIMITED TO A WARRANTY OF MERCHANTABILITY OR FITNESS FOR A PARTICULAR PURPOSE), ARE MADE BY THE MANUFACTURER IN CONNECTION WITH THE MANUFACTURE OR SALE OF ITS PRODUCTS. NO EMPLOYEE, DISTRIBUTOR, OR REPRESENTATIVE IS AUTHORIZED TO CHANGE THIS WARRANTY ON BEHALF OF MANUFACTURER. THE REMEDIES OF BUYER SET FORTH HEREIN ARE EXCLUSIVE AND ARE IN LIEU OF ALL OTHER REMEDIES. THE LIABILITY OF MANUFACTURER WHETHER IN CONTRACT, TORT, UNDER ANY WARRANTY, OR OTHERWISE SHALL NOT EXTEND BEYOND ITS OBLIGATION TO REPAIR OR REPLACE, AT ITS OPTION ANY PRODUCT OR PART FOUND BY MANUFACTURER TO BE DEFECTIVE IN MATERIAL OR WORKMANSHIP. MANUFACTURER SHALL NOT BE LIABLE FOR COST OF INSTALLATION AND/OR REMOVAL OR BE RESPONSIBLE FOR DIRECT, INDIRECT, SPECIAL OR CONSEQUENTIAL DAMAGES OF ANY NATURE.

GENERAL RETURNS OF MERCHANDISE

1. All returns must be pre-authorized
 - A. Please call our parts department for an RGA number
 - B. Please include RGA number on the outside of box
 - C. Include any required paper work or special instructions
 - D. Items returned without an RGA number will not be accepted
2. All returns are subject to a 20% restock charge.
3. Special items are non-returnable
 - A. Non-stock parts
 - B. Custom parts
 - C. If you are unsure about a parts status when ordering, ask your McLaughlin representative if the item fits on of the above conditions.
4. Items must be returned within thirty days of original order date.
5. Items not returned within 30 days from the date of RGA is issued will not be accepted.
6. The item(s) must be in new condition. Used item(s) are not returnable.

Notes

A large rectangular area containing horizontal lines for writing notes.