



**McLAUGHLIN®**

2006 Perimeter Road. Greenville, SC 29605  
Toll Free: 800/435-9340 - Phone: 864/277-5870  
Fax: 864/235-9661 - Website address: [www.mightymole.com](http://www.mightymole.com)  
Email address: [mmole@mightymole.com](mailto:mmole@mightymole.com)

**Parts Manual**  
**Vermeer/ McLaughlin V500 Vacuum Machine**  
**Part #E850500**  
**(SERIAL #5D100606783 - PRESENT)**

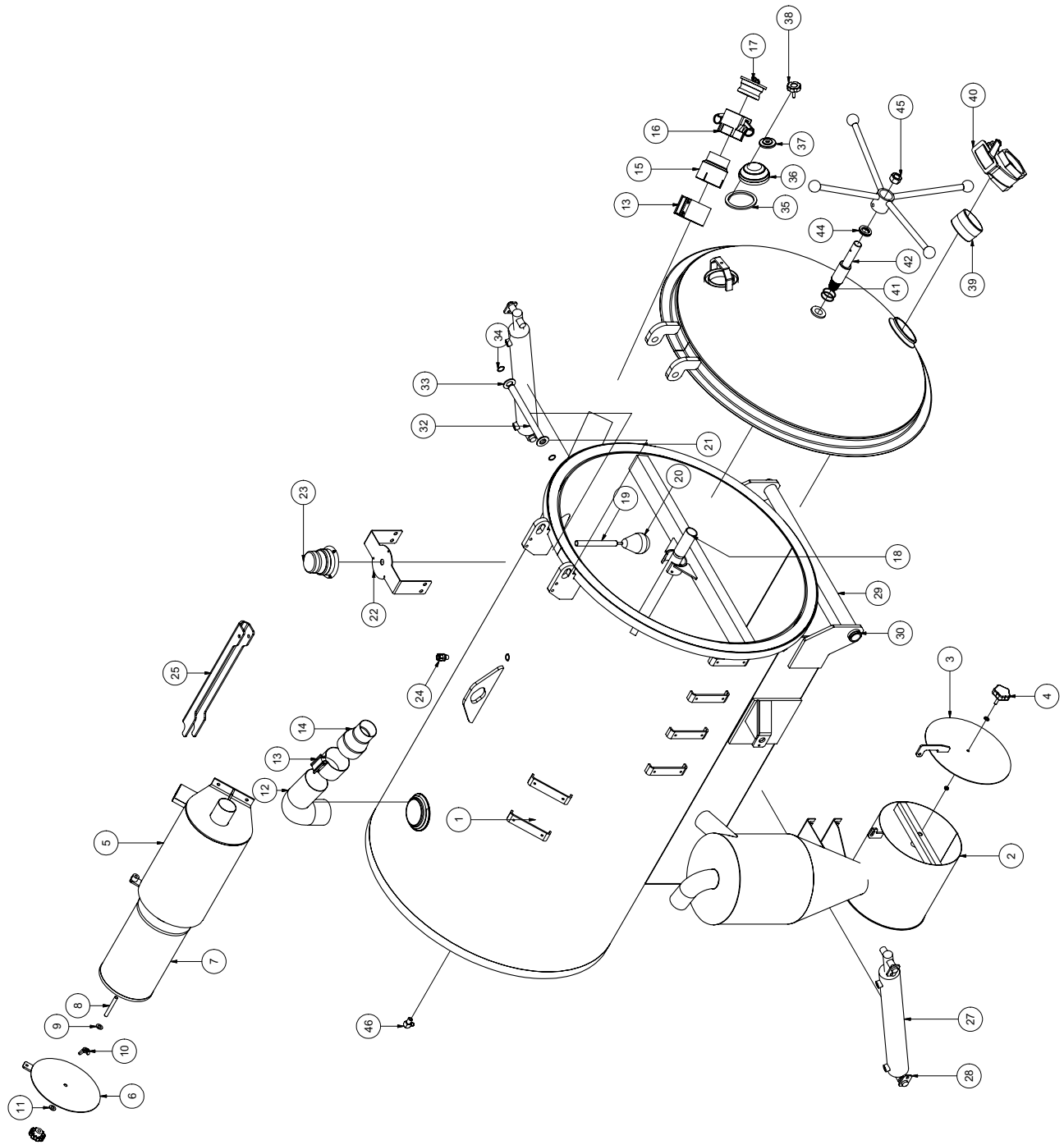
© 2006 by McLaughlin Group, Inc.

40407

All rights reserved. No part of this manual may be reproduced in any form, or by any means without prior written permission of McLaughlin Group, Inc.

# Tank and Door Assembly

# V500



# Tank and Door Assembly

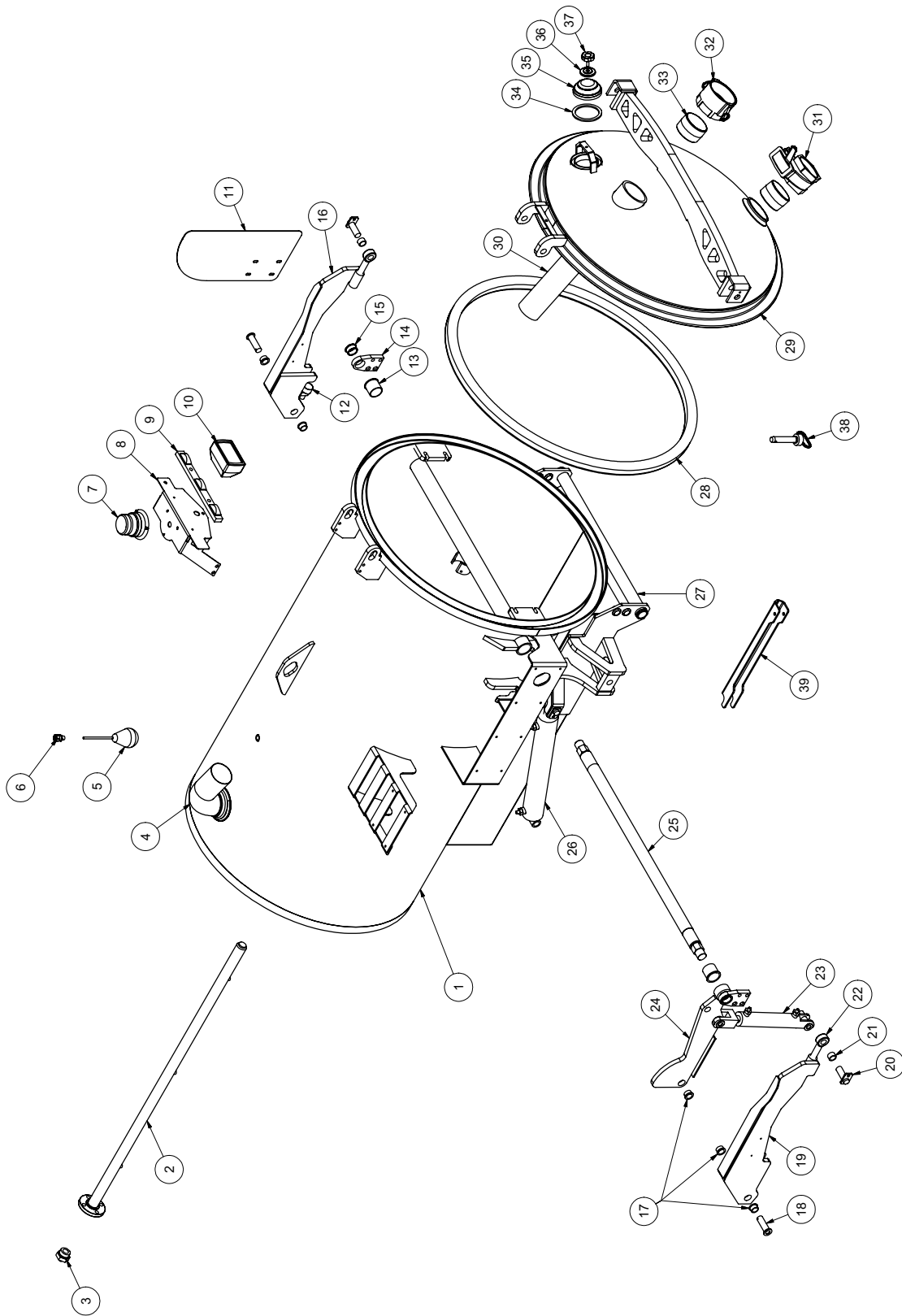
# V500

ITEM#	QTY	NUMBER	DESCRIPTION	ITEM#	QTY	NUMBER	DESCRIPTION
1	1	8040821	TANK	24	1	X000113	1/2" STRAIN RELIEF
2	1	8040313	CYCLONE SEPARATOR HOUSING	25	1	8041212	SAFETY BRACE
	4	U000420	SCREW, HC 3/8-16 X 1.00	1	1	8041213	CLIP, SAFETY
	4	U200600	WASHER, FLAT 3/8"				N/A
3	1	8041272	CYCLONE SEPARATOR DOOR	26	2	8030359	SPOIL TANK HYDRAULIC CYLINDER
	1	8041444	CYCLONE SEPARATOR DOOR SEAL	27	4	T401270	ELBOW, 90 8MB-6MJ
4	1	8041197	CYCLONE KNOB	1	1	8041452	HOSE ASSY VAC 6-70 ST-90
	1	8041231	WASHER, BONDED SEALING 3/8"	1	1	8041453	HOSE ASSY VAC 6-89 ST-90
	1	U210061	NUT, HEX NY 3/8"-16	1	1	8041454	HOSE ASSY VAC 6-84 ST-ST
5	1	8040326	AIR FILTER HOUSING	1	1	8041455	HOSE ASSY VAC 6-104 ST-ST
	4	U000420	SCREW, HC 3/8-16 X 1.00	28	4	8030128	CYLINDER PIN
	4	U200600	WASHER, FLAT 3/8"	4	4	U000400	SCREW, HC 3/8-16 X 0.75
6	1	8041534	AIR FILTER HOUSING DOOR	4	4	U210060	WASHER, LOCK 3/8"
	1	8041357	AIR FILTER HOUSING DOOR SEAL	29	1	8030038	TANK PIVOT ROD
	1	8041218	AIR FILTER KNOB	30	2	8030363	2" SPIRAL SNAP RING
7	1	8031178	AIR FILTER ELEMENT	31	1	8040843	DOOR
8	1	8040302	THREADED ROD	32	1	8040058	DOOR HINGE ROD
9	1	U200100	WASHER, FLAT 1/2"	33	2	U200171	DOOR HINGE WASHER
10	1	8041219	WING NUT, 1/2-13	34	2	8030362	1" SNAP RING
11	1	8041232	BONDED SEALING WASHER	35	1	8032007	4" COUPLER GASKET
12	1	8040786	EXHAUST ELBOW	36	1	8031048	SIGHT GLASS
13	2	8030400	4" BAND CLAMP	37	1	8031047	SIGHT GLASS PLATE
14	1	8040791	EXHAUST TUBE REDUCER	38	1	8031046	SIGHT GLASS HAND WHEEL
15	1	8031044	3" SUCTION PORT ADAPTER	39	1	8030431	4" CLOSE NIPPLE
16	1	8030392	3" FEMALE COUPLER	40	1	8030916	GATE VALVE
17	1	8030393	3" COUPLING PLUG	41	2	W200120	ORING #225 BUNA
	1	8041485	LANYARD CABLE	42	1	8040306	DOOR STRIKER
18	1	8040868	TANK ROD	43	1	8040235	DOOR HANDLE
	1	8030446	O-RING #328 BUNA	2	2	U010040	SCREW, HSH 5/16-18 X 0.50
	4	U000880	SCREW, HC 1/2-13 X 2.00	4	4	J400060	KNOB
	4	U100120	NUT, HEX 1/2-13	44	3	8030174	SPACER
	8	U200100	WASHER, FLAT 1/2"	45	1	U120060	LOCKNUT, NYLON 1" - 8
	3	U010055	SCREW, HSH 5/16-18 X 1.50	46	1	8030498	ELBOW, 90 3/8MP 3/8MJ
	3	8030369	TANK CLEANOUT NOZZLES	*	1	8041445	HOSE VAC KANAFLEX 3-36
19	1	8040769	HIGH LEVEL FLOAT SWITCH TUBE	*	1	8041510	HOSE VAC KANAFLEX 3-166
	1	8041291	BUSHING, RUBBER	*	1	8041511	HOSE VAC KANAFLEX 3-44
20	1	8030531	HIGH LEVEL FLOAT SWITCH	*	1	8041461	CABLE VAC SO4-216
21	1	8041765	DOOR SEAL	*	1	8031242	WORKLIGHT
22	1	8047153	STROBE LIGHT BRACKET	*	1	8041509	TANK CLEARANCE LIGHT
	4	U000880	SCREW, HC 1/2-13 X 2.00	*	1	8041839	DOOR SEAL GLUE
	4	U200100	WASHER, FLAT 1/2"				
	4	U210111	WASHER, LOCK 1/2"				
	4	U100120	NUT, HEX 1/2-13				
23	1	8030347	STROBE LIGHT				
	3	U010006	SCREW, PHILLIPS #10-24 X 1"				
	3	U210005	WASHER, LOCK #10				
	3	U100010	NUT, HEX #10-24				

\* ITEM NOT SHOWN

# Hydraulic Door Option

# V500



102307

VACASSY016

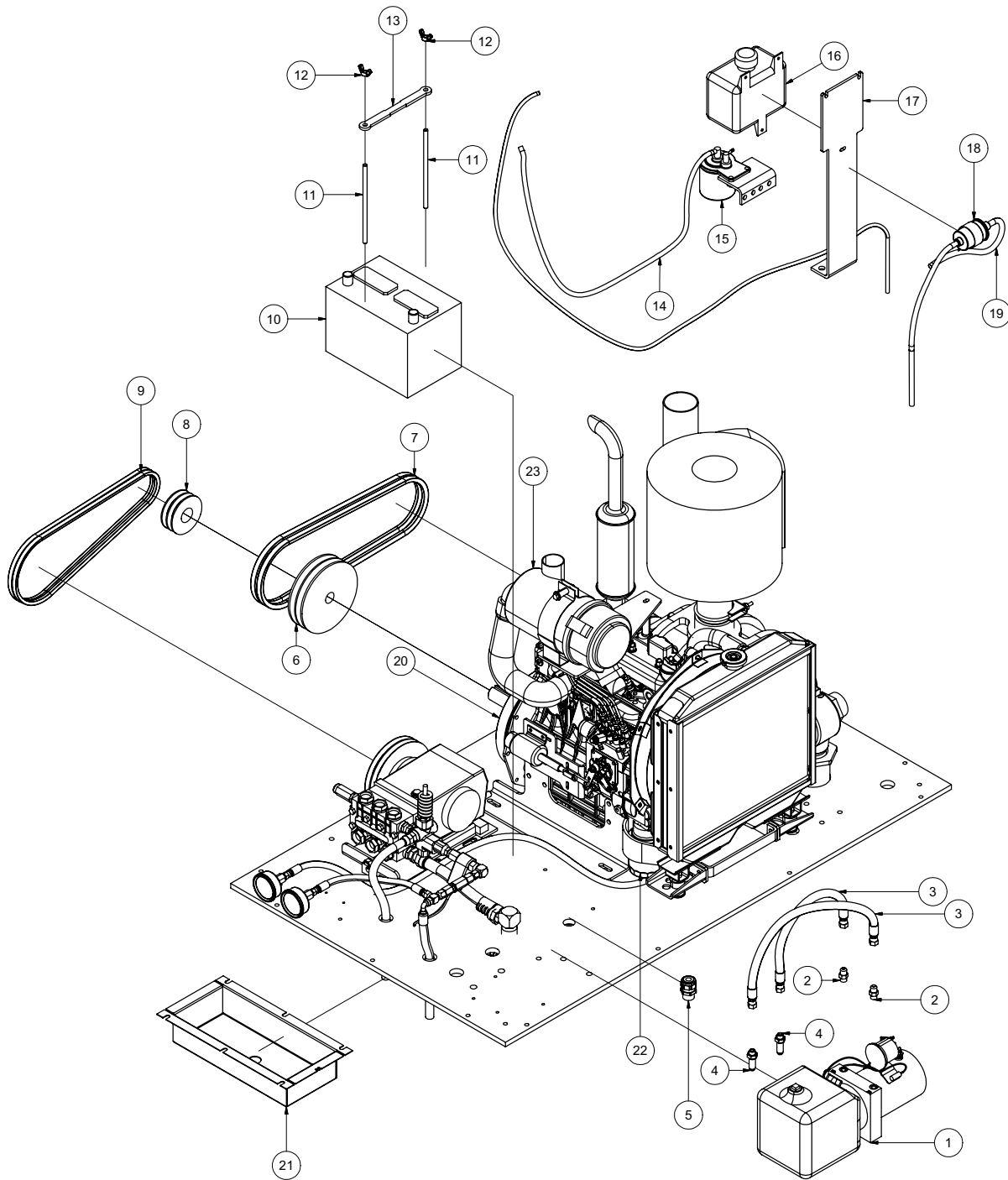
# Hydraulic Door Option

# V500

ITEM#	QTY	NUMBER	DESCRIPTION	ITEM#	QTY	NUMBER	DESCRIPTION
1	1	8041292	TANK	25	1	8041607	LINKAGE CROSS TUBE
2	1	8041566	TANK ROD	26	2	8030359	SPOIL TANK HYDRAULIC CYLINDER
	1	8030446	O-RING #328 BUNA	4	4	T401270	ELBOW, 90 8MB-6MJ
4	4	U000880	SCREW, HC 1/2"-13 X 2"	4	4	8043301	HOSE ASSY VAC 6-56 ST-ST
4	4	U100120	NUT, HEX 1/2"-13	2	2	8043302	HOSE ASSY VAC 6-78 ST-ST
8	8	U200100	WASHER, FLAT 1/2"	4	4	T402154	TEE 3/8 MJIC - 3/8 MJIC - 3/8 MJIC
3	3	U010055	SCREW, HSH 5/16-18 X 1 1/2"	2	2	T400022	REDUCER 3/8 FJIC - 1/4 MJIC
	3	8043166	TANK CLEANOUT NOZZLES	4	4	8030128	CYLINDER PIN
3	1	T400261	REDUCER 1"MSAE - 3/8"MJIC	4	4	U000400	SCREW, HC 3/8-16 X 0.75
4	1	8040786	EXHAUST ELBOW	4	4	U210060	WASHER, LOCK 3/8"
5	1	8030531	HIGH LEVEL FLOAT SWITCH	27	1	8030038	TANK PIVOT ROD
1	1	8040769	HIGH LEVEL FLOAT TUBE	2	2	8030363	2" SPIRAL SNAP RING
1	1	8041291	BUSHING, RUBBER	28	1	8041765	DOOR SEAL
6	1	X000113	1/2" STRAIN RELIEF	29	1	8042064	DOOR
7	1	8030347	STROBE LIGHT	1	1	8040058	DOOR HINGE ROD
8	1	8041753	STROBE LIGHT BRACKET	6	6	U200171	WASHER, FLAT 1" SAE
	4	U000880	SCREW, HC 1/2"-13 X 2"	2	2	U500020	1" SNAP RING
	3	U010006	SCREW, PHILLIPS #10-24 X 1"	30	1	8041661	INLET TUBE
	3	U210005	WASHER, LOCK #10	31	1	8030916	GATE VALVE
	3	U100010	NUT, HEX #10-24	32	1	8032005	4" FEMALE COUPLER
9	1	8041509	TANK CLEARANCE LIGHT	1	1	8032007	4" COUPLER GASKET
10	1	8031242	WORK LIGHT	33	4	8030431	4" CLOSE NIPPLE
11	1	8041635	HYD ARM GUARD	34	1	8032007	SIGHT GLASS GASKET
12	2	W000020	CAM ROLLER 1 1/4"	35	1	8031048	SIGHT GLASS
	2	U160019	1/2"-20 NY-LOCK NUT	36	1	8031047	SIGHT GLASS PLATE
13	2	8041602	2" FLANGED BUSHING	37	1	8031046	SIGHT GLASS HAND WHEEL
14	2	8041621	OUTER BEARING PLATE	38	1	8041626	DOOR SAFETY PIN
	8	8042008	1-1/2" SHIMS	1	1	8041485	LANYARD CABLE
	8	U000840	SCREW, HC 1/2"-13 X 1 1/2"	39	1	8041212	SAFETY BRACE
	8	U210100	WASHER, 1/2" LOCK	1	1	8041213	CLIP, SAFETY
	8	U200100	WASHER, 1/2" FLAT				
15	2	8041724	1-1/2" FLANGED BUSHING				
16	1	8041369	LONG LINKAGE CURBSIDE				
	1	8041770	PLASTIC WEAR PLATE				
	2	U010800	SCREW, SFH 1/4"-20 X 3/4"				
17	8	8041524	1" BUSHING				
18	6	8042489	HYD DOOR PIN				
	6	U340050	3/16" LYNCH PIN				
19	1	8041375	LONG LINKAGE STREETSIDE				
	1	8041770	PLASTIC WEAR PLATE				
	2	U010800	SCREW, SFH 1/4"-20 X 3/4"				
20	2	8042171	DOOR ARM PIN				
	2	U000400	SCREW, HC 3/8-16 X 0.75				
	2	U210060	WASHER, LOCK 3/8"				
21	2	8041524	BUSHING 1"				
22	2	8041328	1" ROD END				
	12	U200171	WASHER, FLAT 1" SAE				
23	2	8041327	DOOR LOCK CYLINDERS				
	4	T400611	REDUCER 1/2"MSAE - 1/4"MJIC				
	2	8043303	HOSE ASSY VAC 4-36 ST-ST				
	2	8043304	HOSE ASSY VAC 4-47 ST-ST				
	2	8043305	HOSE ASSY VAC 4-67 ST-ST				
	2	T402035	TEE 1/4 MJIC - 1/4 MJIC - 1/4 MJIC				
24	2	8041604	SHORT LINKAGE				

# Power Pack Assembly

# V500



VACASSY103

# Power Pack Assembly

# V500

ITEM	QTY	NUMBER	DESCRIPTION
1	1	8040486	HYDRAULIC POWER PACK, 12V- 3QT
**	1	8041601	HYD DOOR OPTION 6QT POWER PACK
	2	U000420	SCREW, HC 3/8"-16 X 1"
	2	U210060	WASHER, LOCK 3/8"
	2	U200600	WASHER, FLAT 3/8"
2	2	T400037	UNION 6MB-6MJR
3	2	8040973	HOSE ASSY VAC 6-20 ST-90
4	2	T400391	BULKHEAD 6MP 6MP
5	1	X000112	CONNECTOR, PANEL 3/4 MNPT-3/4FNPT
	1	X000109	STRAIN RELIEF, 3/4"
	1	X000108	3/4" COUPLING NUT
6	1	8040484	SHEAVE 6.95 DIA 2 GROOVE
	1	8040960	BUSHING 1-7/16" SDS
	1	U410125	KEY 3/8" X 3/8" X 2"
7	2	8040962	BELT BX46
8	1	8030970	SHEAVE 375DIA 2 GROOVE
	1	8030971	BUSHING 1-7/16" H
	1	U410125	KEY 3/8" X 3/8" X 2"
9	2	8034157	BELT AX39
10	1	X400050	BATTERY 31-MHD WORKAHOLIC
	1	X300110	CABLE BATTERY VAC #711431 14"
	1	X300242	CABLE BATTERY VAC #714134 42"
11	2	8040684	ROD, BATTERY HOLD DOWN
12	2	U130040	NUT, WING 3/8"-16
13	1	8050016	BATTERY HOLD DOWN
14	1	8040965	HOSE VAC FUEL 5/16-58
	1	8040969	HOSE VAC FUEL 5/16-84
	4	U800015	CLAMP, HOSE 04 - 5/8"
15	1	T700045	KUBOTA FUEL FILTER
	2	U000060	SCREW, HC 1/4"-20 X 1"
	4	U200020	WASHER,FLAT 1/4"
	2	U210020	WASHER, LOCK 1/4"
16	1	8040577	WATER REGULATOR/OVERFLOW BRACKET
	2	U000817	SCREW, HC 1/2"-13 X 1"
	2	U210100	WASHER, LOCK 1/2"
	2	U200100	WASHER, FLAT 1/2"
17	1	8040645	TANK, OVERFLOW COOLANT
	1	U000060	SCREW, HC 1/4"-20 X 1"
	2	U000040	SCREW, HC 1/4"-20 X 3/4"
	6	U200020	WASHER,FLAT 1/4"
	3	U210020	WASHER, LOCK 1/4"
	3	U100020	NUT, HEX 1/4"-20
18	1	8030453	PUMP, ELECTRIC FUEL
19	1	8040966	HOSE VAC FUEL 5/16-3
	1	8040967	HOSE VAC FUEL 5/16-12
	4	U800015	CLAMP, HOSE 04 - 5/8"
20	1	8030342	KUBOTA V1505
	1	8030342-1	MUFFLER
	4	U000820	SCREW, HC 1/2"-13 X 1 1/4"
	4	U210100	WASHER, LOCK 1/2"
	4	U200100	WASHER, FLAT 1/2"

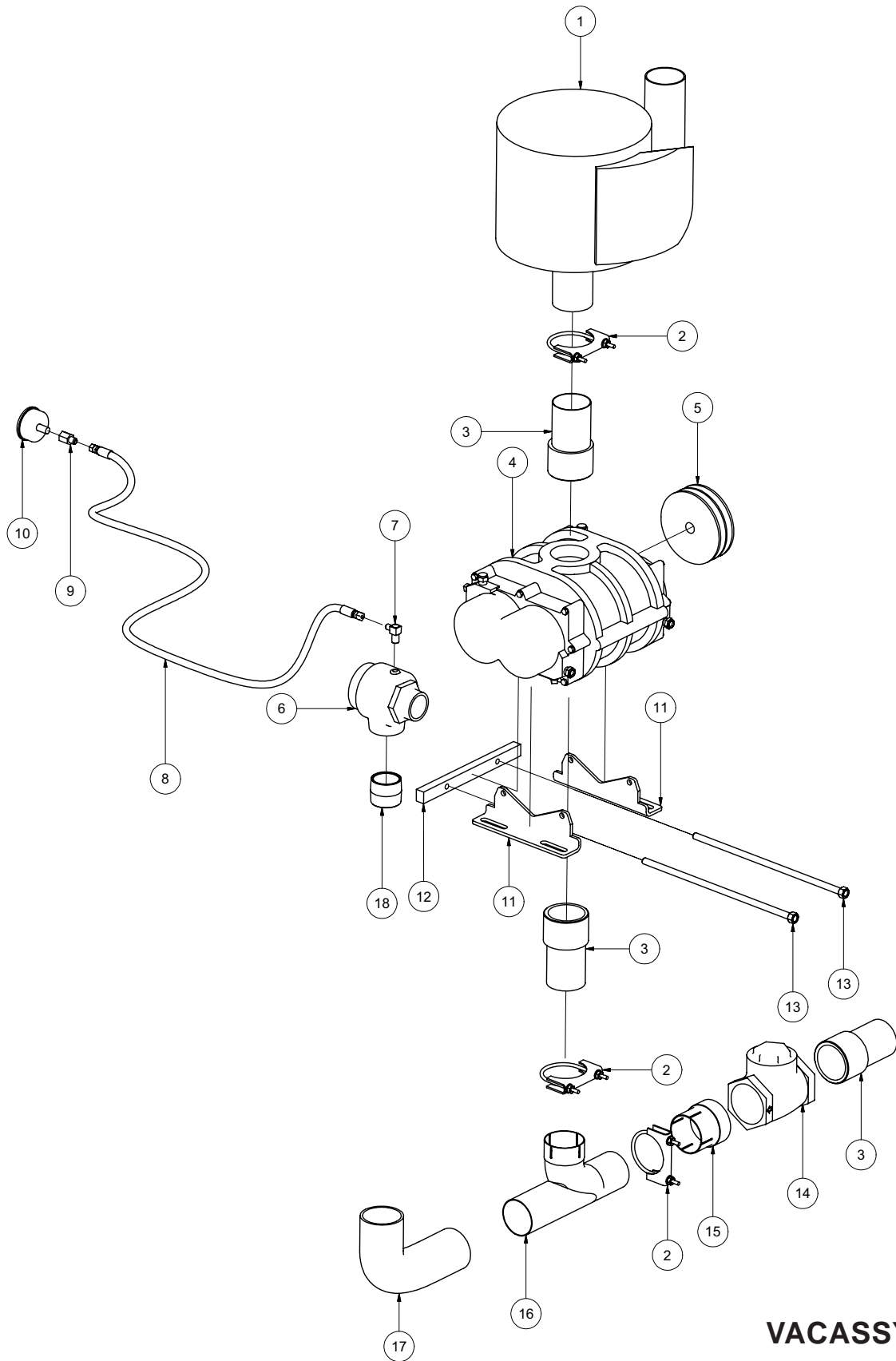
ITEM	QTY	NUMBER	DESCRIPTION
21	1	8040990	DRIP PAN
	6	U000040	SCREW, HC 1/4 - 20 X .750
	6	U210020	WASHER, LOCK 1/4"
	6	U200020	WASHER, FLAT 1/4"
22	1	T700075	KUBOTA OIL FILTE
23	1	T700150	KUBOTAAIR FILTER ELEMENT
*	4	8031392	ISOLATOR
*	4	U000560	SCREW, HC 3/8"-16 X 3"
*	4	8030389	WASHER,SNUBBING
*	4	U210060	WASHER, LOCK 3/8"
*	4	U100060	NUT, HEX 3/8-16
*	8	U000420	SCREW, HC 3/8"-16 X 1"
*	16	U200060	WASHER,FLAT 3/8"
*	8	U210060	WASHER,LOCK 3/8"
*	8	U100060	NUT,HEX 3/8-16

\* NOT SHOWN  
\*\* OPTION

VACASSY103

# Blower Assembly

# V500



VACASSY203



# Blower Assembly

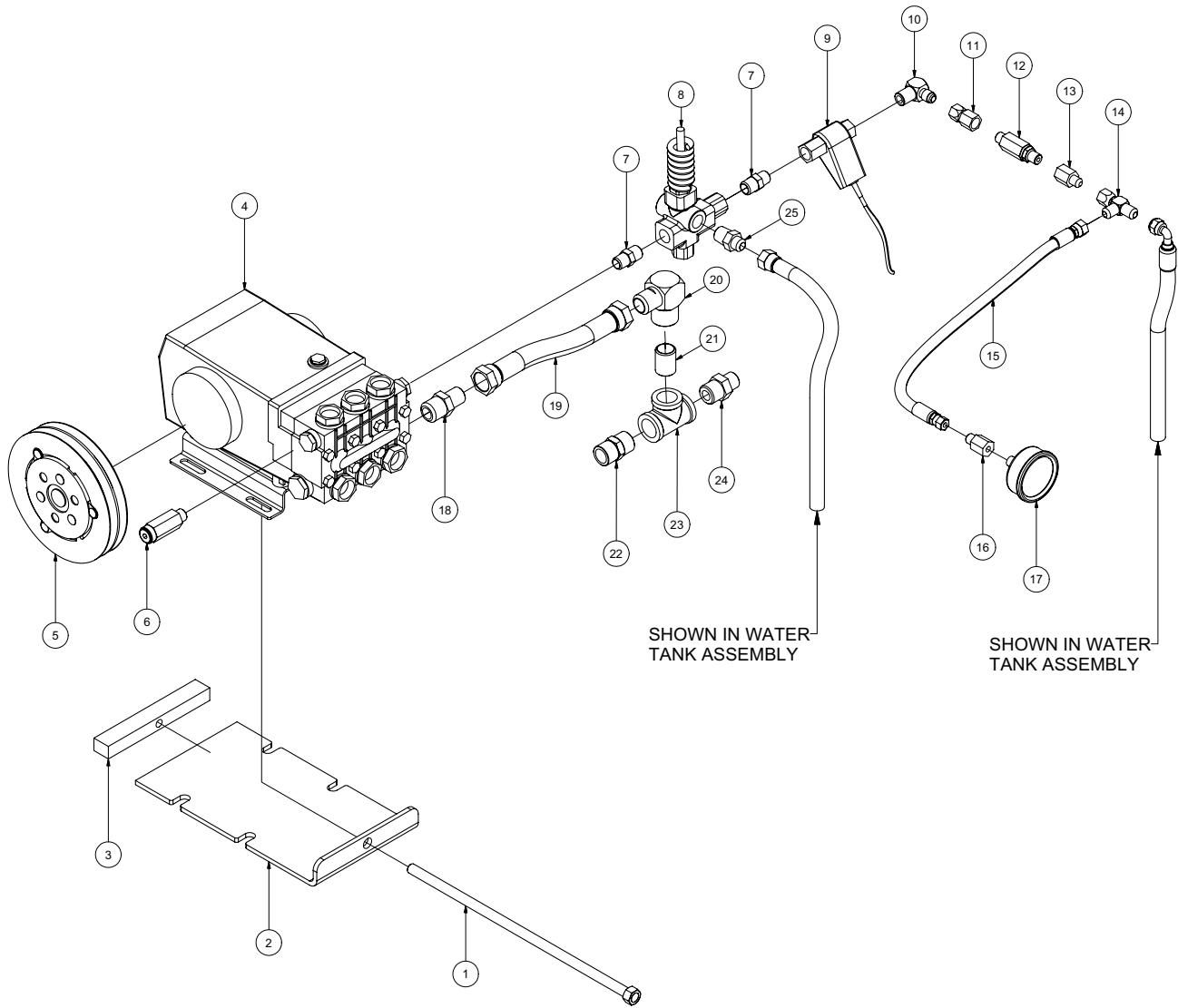
## V500

ITEM	QTY	NUMBER	DESCRIPTION
1	1	8030332	SILENCER, 575 CFM, COWL
2	3	8030395	3" U-BOLT CLAMP
3	3	8030287	3" HOSE X 3" MNPT ADAPTER
4	1	8041250	BLOWER (MODEL 47)
	4	U000817	SCREW, HC 1/2"-13 X 1"
	4	U210100	WASHER, LOCK 1/2"
	4	U200100	WASHER, FLAT 1/2"
5	1	8040945	SHEAVE 5.95 DIA 2 GROOVE
	1	8040642	BUSHING 7/8" SDS
	1	U410042	KEY 3/16" X 3/16" X 2"
6	1	8030337	KUNKLE VALVE, 575 CFM
7	1	T401100	ELBOW 4MP 4MJ 90
8	1	8040970	HOSE ASSY VAC 4-70 ST-ST
9	1	8030483	UNION, 4FP 4MJ
10	1	8030371	VACUUM GAUGE
11	2	8040559	BLOWER FOOT (MODEL 47)
12	1	8040702	TENSION BLOCK 575 CFM
13	2	8040751	BLOWER TENSIONER ROD
14	1	8040799	CHECK VALVE 3" FNPT
15	1	8040788	EXHAUST ADAPTER 3"MNPT - 3"ID
16	1	8041033	HEADER INLET-BLOWER WELD'T
17	1	8040984	3" INLET HEADER HOSE
18	1	8030409	2" CLOSE NIPPLE

VACASSY203

# Water Pump Assembly

# V500



**VACASSY302**

# Water Pump Assembly

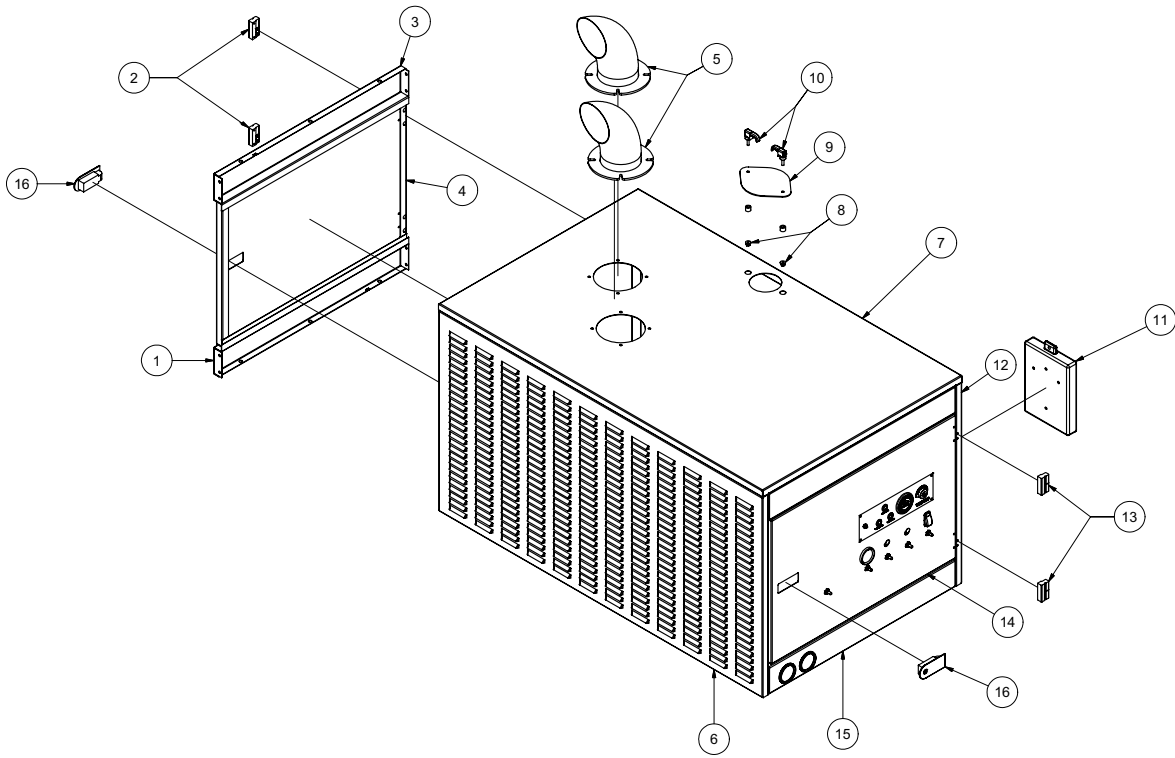
# V500

ITEM	QTY	NUMBER	DESCRIPTION
1	1	8040751	WATER PUMP TENSIONER ROD
2	1	8040892	WATER PUMP TENSIONER PLATE
3	1	8040893	WATER PUMP TENSIONER BLOCK
4	1	8031279	WATER PUMP
	4	U000420	SCREW, HC 3/8"-16 X 1"
	4	U210060	WASHER, LOCK 3/8"
	4	U200600	WASHER, FLAT 3/8"
5	1	8030961	WATER PUMP CLUTCH
	1	U410094	KEY 5/16" X 5/16" X 1 3/8"
6	1	8030340	SAFETY RELIEF VALVE 6GPM
7	2	T400805	UNION, 8MP 6MP
8	1	8030341	UNLOADER VALVE
9	1	8031267	FLOW SWITCH
10	1	T401102	ELBOW, 6MJ 6MP
11	1	8031125	UNION, 6FJ 4FP
12	1	8030923	HIGH PRESSURE WATER FILTER
13	2	8031126	UNION, 4FP 6MJ
14	1	T402153	TEE, 6MJ 6MJ 6FJ
15	1	8040971	HOSE ASSY VAC 4-19 ST-ST 6FJ
16	1	8030483	UNION, 4FP 4MJ
17	1	8030372	WATER PRESSURE GAUGE 1/4NPT
18	1	T400070	UNION, 8MP 12MJ
19	1	8040972	HOSE VAC PUSH 12-8 1/2
	2	8030525	FITTING, HOSE #12FJ PUSH LOCK
20	1	T401180	ELBOW, 12MP 12MJ
21	1	T421020	NIPPLE, PIPE 12MP 12MP
22	1	T400100	UNION, 12MP 12MJ
23	1	T402160	TEE 12FP 12FP 12FP
24	1	T400080	REDUCER, 12MP 8MJ
25	1	T400040	UNION, 8MP 8MJ

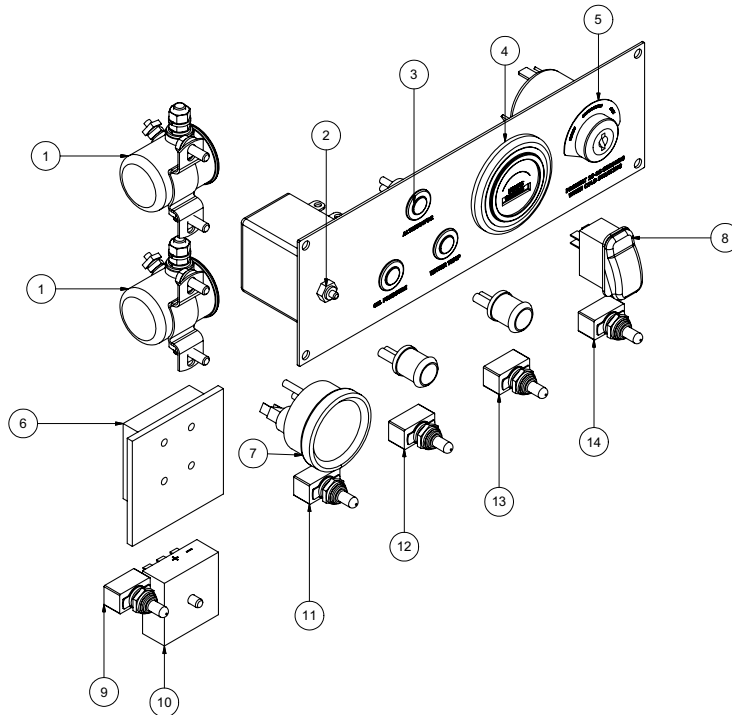
VACASSY302

# Enclosure Assembly

## V500



## VACASSY403



## VACASSY501

# Enclosure Assembly

## V500

ITEM	QTY	NUMBER	DESCRIPTION
1	1	8040995	SIDE PANEL WELDMENT
2	2	8040589	OFFSET HINGE TYPE A
	8	U030525	SCREW, PAN HD #10-32X1/2
3	2	8040829	SIDE PANEL
4	1	8040827	DOOR
5	2	8041195	EXHAUST WELDMENT
6	1	8040992	BACK SHEET
7	1	8040831	TOP SHEET
8	2	U120142	NUT, FLANGED LOCK 1/4-20
9	1	8040592	RADIATER ACCESS PLATE
10	2	8040334	LATCH, SWELL
11	1	E250211	MANUAL BOX
12	1	8040993	FRONT SHEET
13	2	8040588	OFFSET HINGE TYPE B
	8	U030525	SCREW, PAN HD #10-32X1/2
14	1	8040890	DOOR, CONTROL
15	1	8040994	SIDE PANEL W/ GAUGES
16	2	8040586	LATCH, LEVER LOCKABLE
*	72	U000060	SCREW, HC 1/4-20X1
*	126	U200020	WASHER, FLAT 1/4
*	72	U210020	WASHER, LOCK 1/4
*	54	U100020	NUT, HEX 1/4-20
*	1	8041171	HANDLE
	2	U001017	SCREW, HSH 1/4-20 X 1.25
	2	U200020	WASHER, FLAT 1/4
	2	U120100	NUT, HEX LOCK 1/4-20
*	4	8041504	DOOR SEAL VERTICAL
*	4	8041505	DOOR SEAL HORIZONTAL

\* NOT SHOWN

### VACASSY403

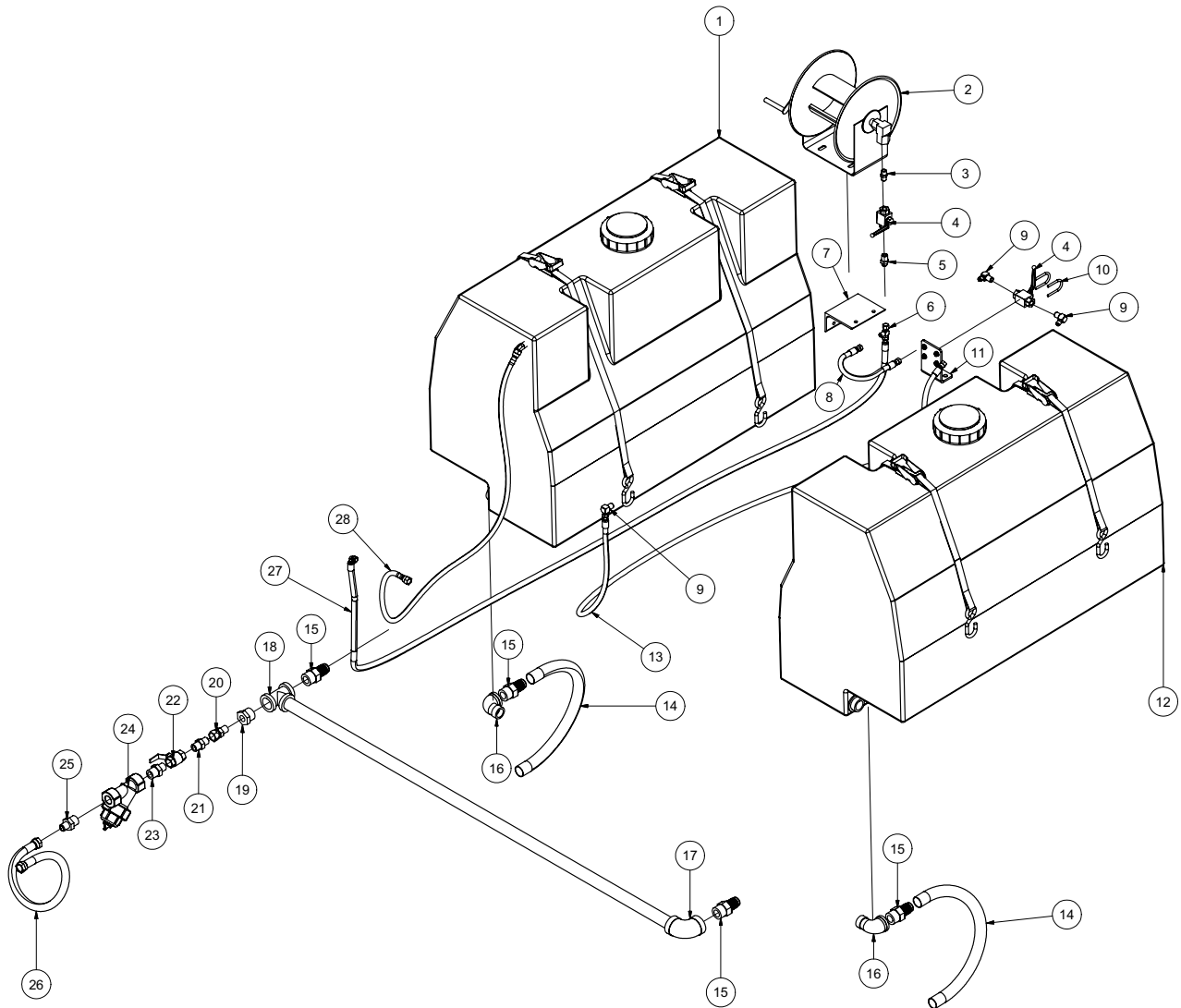
ITEM	QTY	NUMBER	DESCRIPTION
1	2	8030443	80-12V SOLENOID
2	1	8030455	MURPHY SWITCH
3	5	8030457	PANEL LIGHTS
4	1	8030456	HOUR METER
5	1	8030458	KEY SWITCH
	1	8030829	KEYS
6	1	8031257	FUSE PANEL 8 POS.
	7	8030461	5 AMP FUSE
7	1	8030330	FUEL GAUGE
8	1	X000021	ROCKER SWITCH THROTTLE HIGH/LOW
9	1	8041077	SWITCH, TANK RAISE/LOWER
10	1	8031231	SWITCH, DELAY RELAY
11	1	X000095	SWITCH, WORK LIGHTS
12	1	X000095	SWITCH, FULL TANK OVERRIDE
13	1	X000095	SWITCH, WATER PUMP CLUTCH
14	1	X000092	SWITCH, AUTOMATIC THROTTLE
	2	8030826	INLINE 20 AMP FUSE
*	2	8030365	20 AMP FUSE
*	1	8041268	ANTIFREEZE SWITCH
*	2	8031292	DIODE NTE 5809

\* NOT SHOWN

### VACASSY501

# Water Tank Assembly

# V500



VACASSY603

# Water Tank Assembly

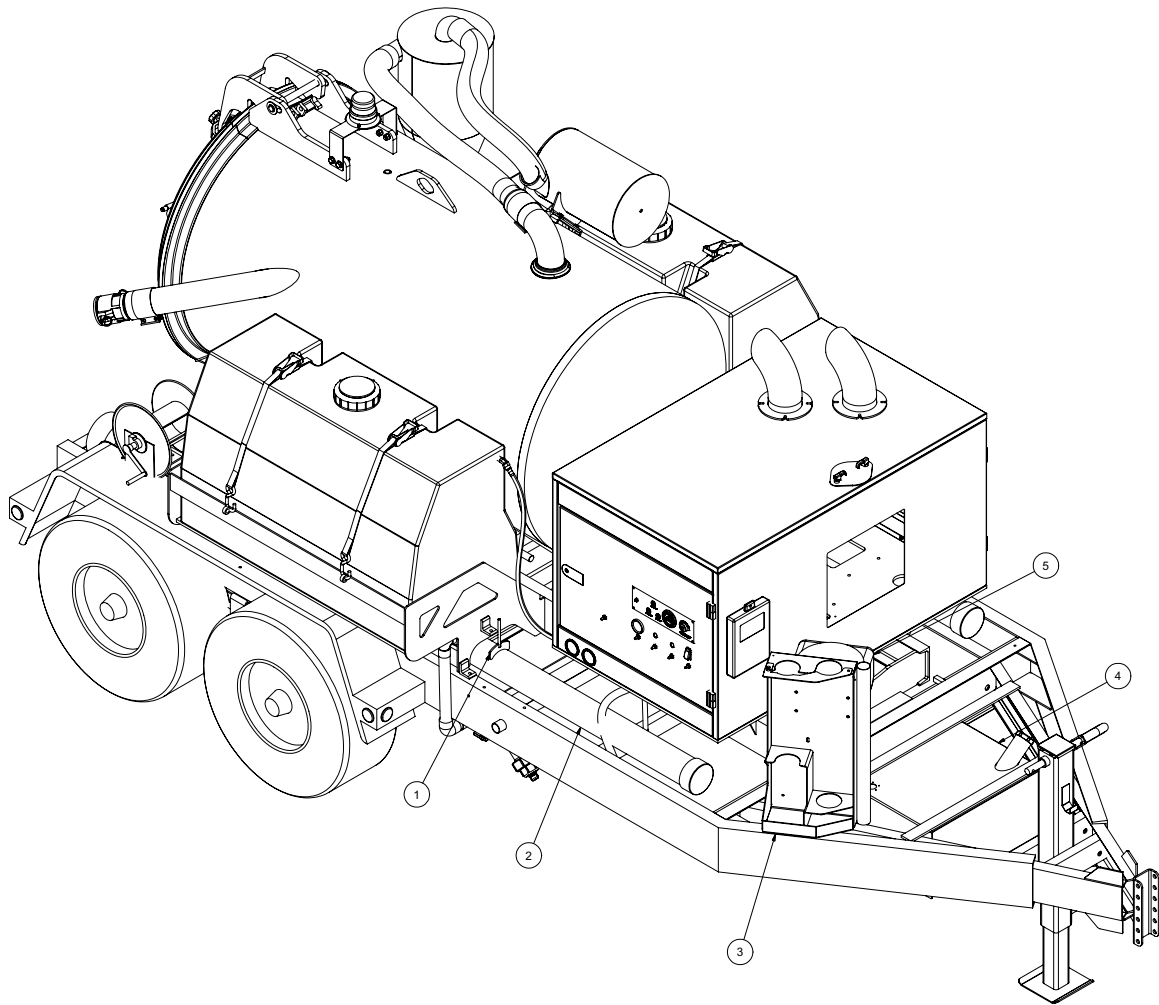
## V500

ITEM	QTY	NUMBER	DESCRIPTION
1	1	8040782-1	125 GALLON WATER TANK (CURBSIDE)
	2	8040084	WATER TANK STRAP
	1	8041119	WATER TANK LID
	1	8030343	SWITCH, WATER SHUTOFF
2	1	8030346	HOSE REEL
	4	U000420	SCREW, HC 3/8"-16 X 1.0
	8	U200060	WASHER, FLAT 3/8"
	4	U210060	WASHER, LOCK 3/8"
	4	U100060	NUT, HEX 3/8"-16
3	1	T400803	UNION, 6MP-6MP
4	2	8030351	BALL VALVE, STEEL 6FP
5	1	T400028	UNION, 6MP-6MJ
6	1	T402153	TEE, 6MJ-6MJ-6FJ
7	1	8040876	HOSE REEL BRACKET
	2	U000420	SCREW, HC 3/8"-16 X 1.0
	4	U200060	WASHER, FLAT 3/8"
	2	U210060	WASHER, LOCK 3/8"
	2	U100060	NUT, HEX 3/8"-16
8	1	8041061	HOSE ASSY VAC 6-9 ST-ST
9	3	T401102	ELBOW, 6MJ-6MP
10	2	U010017	U-BOLT, 1 1/2" X 1/4-20 UNC
	4	U120100	NUT, LOCK 1/4-20
	4	U200020	WASHER, FLAT 1/4"
11	1	8040670	BALL VALVE BRACKET
12	1	8040782	125 GALLON WATER TANK (STREETSIDE)
	2	8040084	WATER TANK STRAP
	1	8041119	WATER TANK LID
13	1	8041062	HOSE ASSY VAC 6-112 ST-ST
14	2	8041523	HOSE VAC CLEAR VINYL 1 1/4-24
15	4	8041312	FITTING, HOSE BARB 1 1/4
16	2	8041311	ELBOW, STREET 1 1/4
17	1	8041309	ELBOW, 1 1/4FP - 1 1/4FP
18	1	8041310	TEE, 1 1/4FP-1 1/4FP-1 1/4FP
19	1	T403100	REDUCER, 20MP-12FP
20	1	T400101	UNION, 12FJ-12MP
21	1	T400100	UNION, 12MJ-12MP
22	1	T000185	BALL VALVE, BRASS 3/4" FP
23	1	T404060	UNION, 16MP-12MP
24	1	8040186	STRAINER
25	1	T400450	UNION, 12MJ-16MP
26	1	8041058	HOSE VAC PUSH 12-36
	2	8030525	FITTING, HOSE #12FJ PUSH LOCK
27	1	8041060	HOSE ASSY VAC 6-120 ST-90
28	1	8041465	HOSE VAC PUSH 8-66
	2	8030524	1/2" PUSH LOCK FITTING
	1	8030518	1/2" BULKHEAD 45 DEG.

VACASSY603

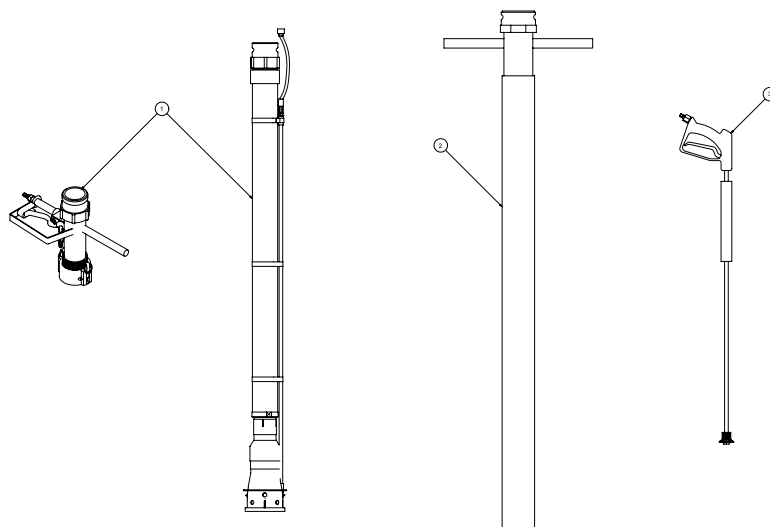
# Trailer Assembly

V500



VACASSY902

# Tools



VACASSY701



# Trailer Assembly

# V500

ITEM	QTY	NUMBER	DESCRIPTION
1	4	8040979	HOSE STORAGE CLAMP
	8	U200060	WASHER, FLAT 3/8
	8	U100060	NUT, HEX 3/8
2	2	8041111	HOSE STORAGE 4" X 10'
	2	8030435	END CAP 4"
	2	8030427	4" TO 6" PVC REDUCER
	2	R700160	R CLIP
	2	8041101	HOSE STORAGE RETAINING ROD
	2	8041485	LANYARD CABLE
3	1	8040886	TOOL RACK
	1	8040884	TOOL RACK CLOSURE
	1	R700175	R CLIP 7/8"
	1	8041259	STRAP, 10"
	1	8041485	LANYARD CABLE
4	1	8040763	FUEL TANK (20 GAL)
	1	36201441	FUEL CAP
	1	8030697	FUEL SENDING UNIT
	1	8030656	FUEL FILTER
5	1	8030394	ANTI-FREEZE TANK (4 GAL)
	4	U000180	SCREW, HC 5/16"-18 X .75"
	4	U200040	WASHER, FLAT 5/16
	4	U210040	WASHER, LOCK 5/16
	1	T403100	UNION 12FP 20MP
	1	T401040	ELBOW 90 12MP 12MP
	1	T000185	BALL VALVE 3/4" FP
	1	T400080	UNION 8MJ - 12MP
	2	8030524	# 8 FJ PUSHLOCK
	1	8041470	HOSE VAC PUSH 8-36
*	2	8041263	PLASTIC STRIP
*	1	8040855	SKID WELDMENT
*	6	8040038	U-BOLT SKID TO TRAILER
	6	8040240	U-BOLT MTG. BLOCK
	12	U200100	WASHER, FLAT 1/2"
	12	U100120	NUT, HEX 1/2"-13

\*ITEM NOT SHOWN

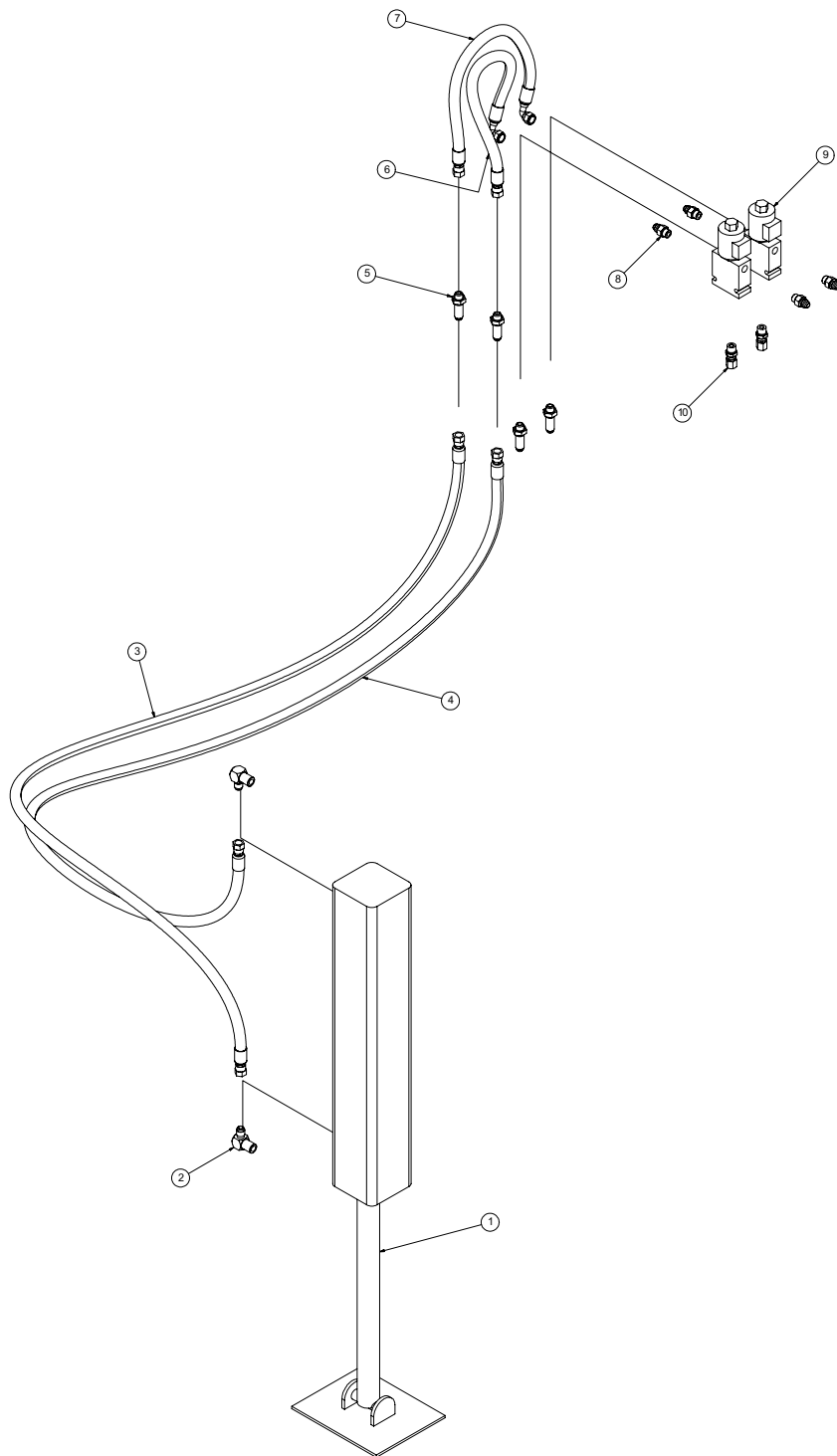
## VACASSY902

# Tools

Item	Qty	Number	Description	Item	Qty	Number	Description
1	1	8030202	TOOL VAC REDUCTION STD COMPLETE	*	2	8040250	VACUUM HOSE ASSEMBLY 3" X 10'
	1	8030635	TOOL VAC HEAD ASSY 3"		1	8030179	BANJO 3" MALE
	2	8030486	QUICK DISCONNECT SS		1	8030392	BANJO 3" FEMALE
	1	8031079	BANJO 3" MALE		2	8030240	HOSE ADAPTER 3"
	1	8030392	BANJO 3" FEMALE		2	8041508	VACUUM HOSE 3" X 120"
	1	8030928	TRIGGER ASSEMBLY	*	1	8041830	HIGH PRESSURE WATER HOSE
	1	8030179	TOOL VAC REDUCTION LOWER ASSY	*	1	8030504	REDUCER 3/8"FP - 1/4"MP
	2	8030370	REDUCTION TOOL NOZZLE	*	1	8030487	Q.D. FEMALE 1/4"FP
	2	8031268	REDUCTION TOOL NOZZLE 45 DEG				
	1	8031079	BANJO 3" MALE		*		NOT SHOWN
	1	8040333	REDUCTION TOOL COLLAR				
2	1	8030215	TOOL VAC SUCTION 3" COMPLETE				
3	1	8030348	TOOL VAC SPRAY WAND COMPLETE				
	1	8030928	TRIGGER ASSEMBLY				
	1	8030847	WAND				
	1	8031308	NOZZLE				

## VACASSY701

# Hydraulic Jack Option



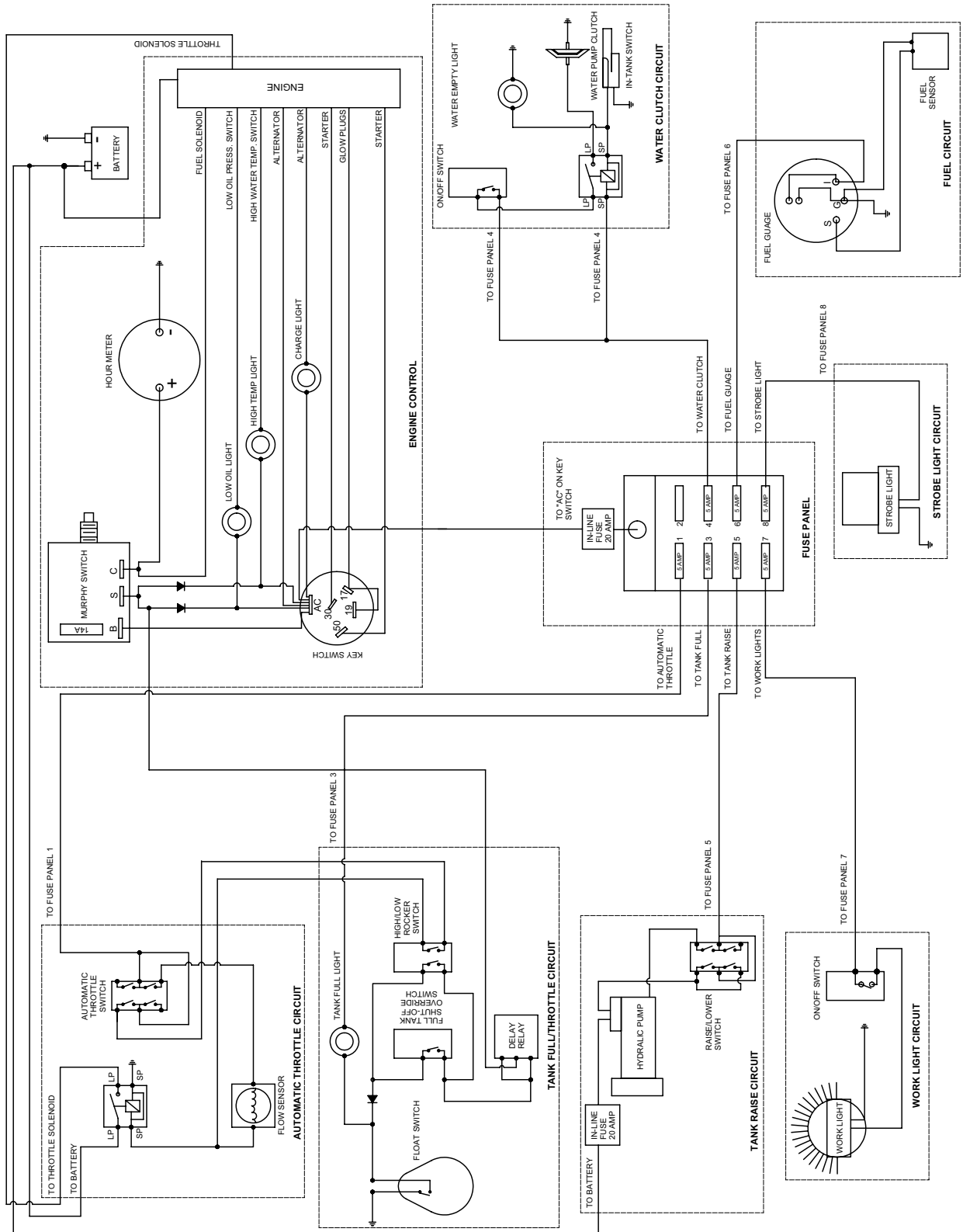
# Hydraulic Jack Option

Item	Qty	Number	Description
1	1	8041998	HYDRAULIC JACK CYLINDER
2	2	T400135	REDUCER 1/2"MB - 3/8"MJ
3	1	8042661	HOSE ASSY VAC 6-66 ST-90
4	1	8041442	HOSE ASSY VAC 6-60 ST-90
5	2	T400391	BULKHEAD, 3/8"MJ - 3/8"MJ
6	2	8040973	HOSE ASSY VAC 6-20 ST-90
7	4	T400037	UNION, 3/8"MB - 3/8"MJ
8	2	8041788	SOLENOID VALVE
9	2	8030512	UNION, 3/8"MB - 3/8"FJ
*	1	8041077	JACK SWITCH
*	1	8040185	RELAY
*	1	8040184	RELAY SOCKET
*	2	8031292	DIODE

\* NOT SHOWN



# WIRING SCHEMATIC





# WARRANTY RETURN GOODS POLICY

## LIMITED WARRANTY

The Manufacturer warrants its products to be free from defects in material and workmanship for a period of twelve months from the date of shipment from the factory. The Manufacturer shall not be responsible for any damage resulting to or caused by its products by reason of installation, improper storage, unauthorized service, alteration of the products, neglect or abuse, or use of the product in a manner inconsistent with its design. The warranty does not extend to any component parts not manufactured by Manufacturer; however, Manufacturer's warranty herein shall not limit any warranties made by manufacturers of component parts which extend to Buyer.

Claims for defects in material and workmanship shall be made in writing to Manufacturer within ten days of discovery of defect. Manufacturer may either send a service representative or have the product returned to its factory at Buyer's expense for inspection. Upon notification of defect, Manufacturer will issue a return goods authorization number to Buyer. The return goods authorization number must accompany the product returned. If judged by the Manufacturer to be defective in material or workmanship, the product will be replaced or repaired at the option of the Manufacturer, free from all charges except authorized transportation. Buyer shall be responsible for all maintenance services consisting of lubrication and cleaning of equipment, replacing expandable parts, making minor adjustments, and performing operating checks, all in accordance with procedures outlined in Manufacturer's maintenance literature.

THE FOREGOING WARRANTY IS IN LIEU OF ALL OTHER WARRANTIES AND NO REPRESENTATIONS, GUARANTEES, OR WARRANTIES, EXPRESS OR IMPLIED, (INCLUDING BUT NOT LIMITED TO A WARRANTY OF MERCHANTABILITY OR FITNESS FOR A PARTICULAR PURPOSE), ARE MADE BY THE MANUFACTURER IN CONNECTION WITH THE MANUFACTURE OR SALE OF ITS PRODUCTS. NO EMPLOYEE, DISTRIBUTOR, OR REPRESENTATIVE IS AUTHORIZED TO CHANGE THIS WARRANTY ON BEHALF OF MANUFACTURER. THE REMEDIES OF BUYER SET FORTH HEREIN ARE EXCLUSIVE AND ARE IN LIEU OF ALL OTHER REMEDIES. THE LIABILITY OF MANUFACTURER WHETHER IN CONTRACT, TORT, UNDER ANY WARRANTY, OR OTHERWISE SHALL NOT EXTEND BEYOND ITS OBLIGATION TO REPAIR OR REPLACE, AT ITS OPTION ANY PRODUCT OR PART FOUND BY MANUFACTURER TO BE DEFECTIVE IN MATERIAL OR WORKMANSHIP. MANUFACTURER SHALL NOT BE LIABLE FOR COST OF INSTALLATION AND/OR REMOVAL OR BE RESPONSIBLE FOR DIRECT, INDIRECT, SPECIAL OR CONSEQUENTIAL DAMAGES OF ANY NATURE.

## GENERAL RETURNS OF MERCHANDISE

1. All returns must be pre-authorized
  - A. Please call our parts department for an RGA number
  - B. Please include RGA number on the outside of box
  - C. Include any required paper work or special instructions
  - D. Items returned without an RGA number will not be accepted
2. All returns are subject to a 20% restock charge.
3. Special items are non-returnable
  - A. Non-stock parts
  - B. Custom parts
  - C. If you are unsure about a parts status when ordering, ask your McLaughlin representative if the item fits on of the above conditions.
4. Items must be returned within thirty days of original order date.
5. Items not returned within 30 days from the date of RGA is issued will not be accepted.
6. The item(s) must be in new condition. Used item(s) are not returnable.





# Notes

A large rectangular box containing 30 horizontal lines for writing notes.