



**McLAUGHLIN®**

2006 Perimeter Road. Greenville, SC 29605  
Toll Free: 800/435-9340 - Phone: 864/277-5870  
Fax: 864/235-9661 - Website address: [www.mightymole.com](http://www.mightymole.com)  
Email address: [mmole@mightymole.com](mailto:mmole@mightymole.com)

**Parts Manual  
Vermeer/ McLaughlin V800HD  
Vacuum Machine**

**(S/N 8DHD060408218 - 08267)**

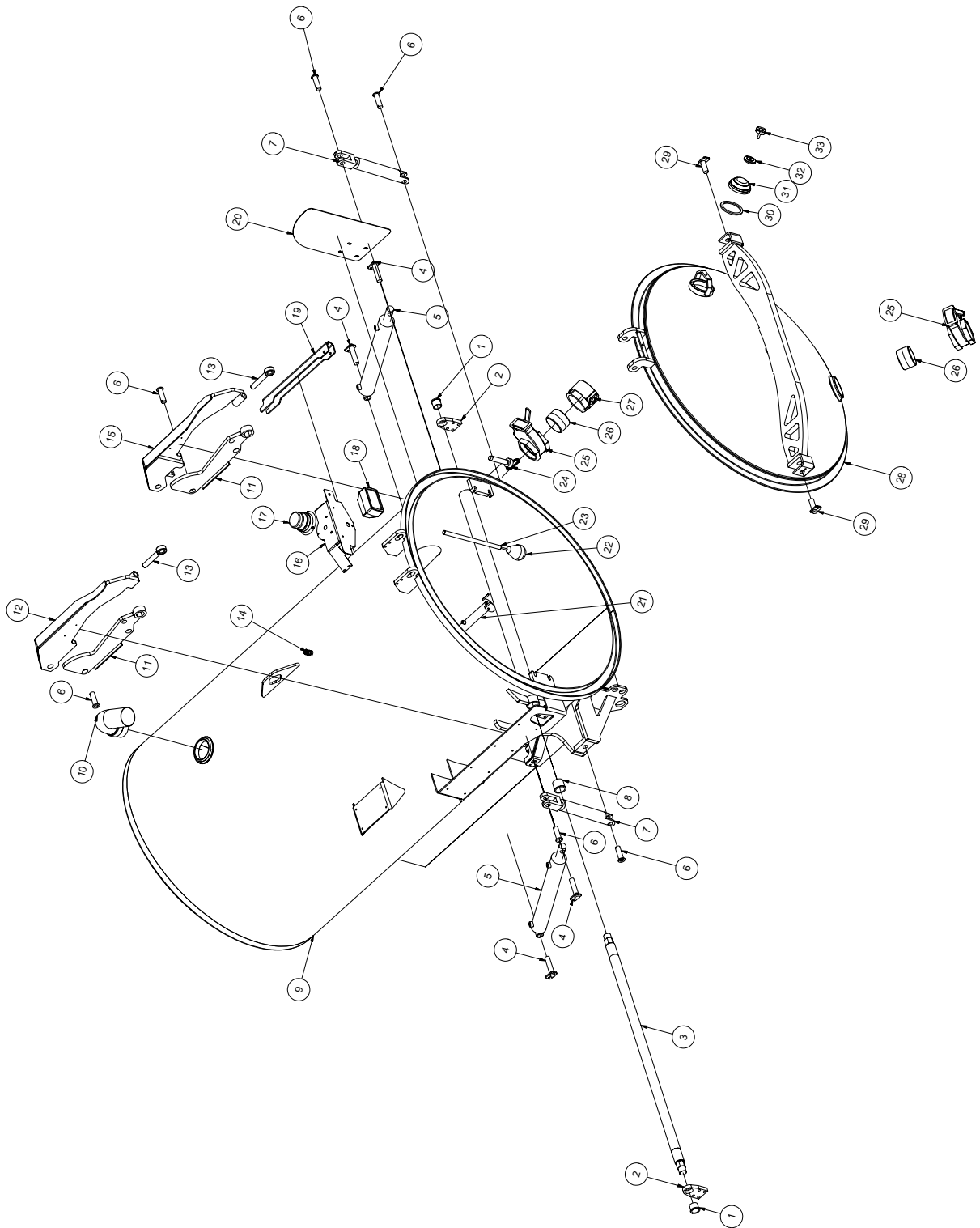
© 2008 by McLaughlin Group, Inc.

012808

All rights reserved. No part of this manual may be reproduced in any form, or by any means without prior written permission of McLaughlin Group, Inc.

# Tank and Door Assembly

# V800HD



VACASSY014

# Tank and Door Assembly

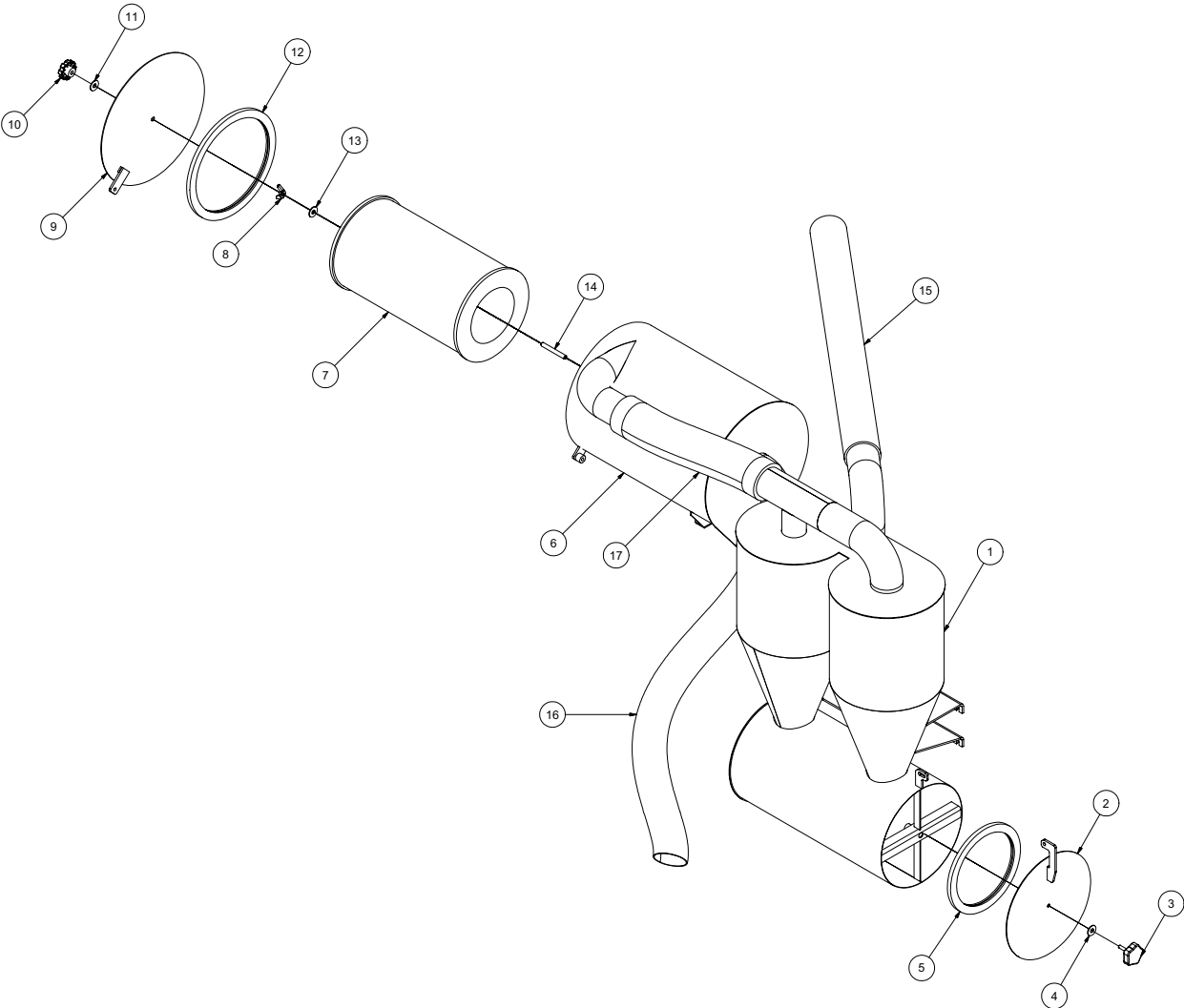
# V800HD

| ITEM | QTY | NUMBER  | DESCRIPTION                        | ITEM | QTY | NUMBER  | DESCRIPTION               |
|------|-----|---------|------------------------------------|------|-----|---------|---------------------------|
| 1    | 2   | 8041610 | BUSHING BRONZE FLANGED 1 1/2"      | 21   | 1   | 8041721 | TANK ROD -800 HLD         |
| 2    | 2   | 8041621 | OUTER BEARING PLATE                | 1    | 1   | 8030446 | O-RING #328 BUNA          |
| 3    | 1   | 8041663 | LINKAGE CROSS TUBE                 | 4    | 4   | U000880 | SCREW, HC 1/2-13 X 2.00   |
| 4    | 4   | 8030128 | CYLINDER PIN WELDMENT              | 4    | 4   | U100120 | NUT, HEX 1/2-13           |
| 5    | 2   | 8030359 | SPOIL TANK CYLINDER                | 8    | 8   | U200100 | WASHER, FLAT 1/2"         |
|      | 1   | 8041456 | HOSE ASSY VAC 6-70 ST-90           | 3    | 3   | U010055 | SCREW, HSH 5/16-18 X 1.50 |
|      | 1   | 8041457 | HOSE ASSY VAC 6-90 ST-90           | 3    | 3   | 8030369 | TANK CLEANOUT NOZZLES     |
|      | 1   | 8041458 | HOSE ASSY VAC 6-86 ST-ST           | 22   | 1   | 8030531 | HIGH LEVEL FLOAT SWITCH   |
|      | 1   | 8041459 | HOSE ASSY VAC 6-105 ST-ST          | 23   | 1   | 8041471 | FLOAT SWITCH TUBE V800    |
|      | 4   | T401270 | ELBOW, 90 8MB-6MJ                  | 1    | 1   | 8041291 | BUSHING, RUBBER           |
| 6    | 6   | 8042489 | HYD DOOR - PIN WELDMENT 1"DIA X 3" | 24   | 1   | 8041626 | 1" x 4 1/2" HITCH PIN     |
| 7    | 2   | 8041327 | HYD CYLINDER - 8" STROKE           | 25   | 2   | 8030916 | 4" GATE VALVE             |
| 8    | 2   | 8041602 | BUSHING BRONZE FLANGED 2"          | 26   | 2   | 8030431 | 4" CLOSE NIPPLE           |
| 9    | 1   | 8041643 | 800 TANK - WELDMENT (54")          | 27   | 1   | 8030846 | 4" FEMALE COUPLER         |
|      | 1   | 8030038 | TANK PIVOT ROD                     | 28   | 1   | 8041580 | 800 HYD LOCK DOOR         |
|      | 2   | 8030363 | 2" SPIRAL SNAP RING                | 1    | 1   | 8040058 | DOOR HINGE ROD            |
| 10   | 1   | 8040786 | EXHAUST ELBOW 4"                   | 2    | 2   | U210200 | DOOR HINGE WASHER         |
| 11   | 2   | 8041604 | SHORT LINKAGE WELDMENT             | 2    | 2   | U500020 | 1" SNAP RING              |
| 12   | 1   | 8041375 | DOOR HYD LONG LINKAGE              | 1    | 1   | 8041767 | DOOR SEAL                 |
| 13   | 2   | 8043131 | ROD END WITH BRONZE BUSHING        | 29   | 2   | 8042171 | DOOR CAPTURE PIN          |
| 14   | 1   | X000113 | STRAIN RELIEF, 1/2"                | 30   | 1   | 8032007 | GASKET, 4" COUPLER        |
| 15   | 1   | 8041369 | DOOR HYD LONG LINKAGE              | 31   | 1   | 8031048 | SIGHT GLASS               |
| 16   | 1   | 8043318 | STROBE LIGHT BRACKET               | 32   | 1   | 8031047 | SIGHT GLASS PLATE         |
|      | 4   | U000880 | SCREW, HC 1/2-13 X 2.00            | 33   | 1   | 8031046 | SIGHT GLASS HAND WHEEL    |
|      | 4   | U200100 | WASHER, FLAT 1/2"                  | *    | 1   | 8041461 | CABLE VAC SO4-216         |
|      | 4   | U210111 | WASHER, LOCK 1/2"                  | *    | 1   | 8041354 | LIGHT BRACKET             |
|      | 4   | U100120 | NUT, HEX 1/2-13                    | *    | 1   | 8041839 | DOOR SEAL GLUE            |
| *    | 1   | X200003 | TANK HARNESS                       |      |     |         |                           |
| 17   | 1   | 8043139 | STROBE LIGHT                       |      |     |         |                           |
|      | 3   | U010006 | SCREW, PHILLIPS #10-24 X 1"        |      |     |         |                           |
|      | 3   | U210005 | WASHER, LOCK #10                   |      |     |         |                           |
|      | 3   | U100010 | NUT, HEX #10-24                    |      |     |         |                           |
| 18   | 1   | 8043111 | WORK LIGHT                         |      |     |         |                           |
| 19   | 1   | 8041212 | TANK SAFETY BRACE                  |      |     |         |                           |
|      | 1   | 8041213 | CLIP, SAFETY                       |      |     |         |                           |
| 20   | 1   | 8041635 | HYD ARM GUARD                      |      |     |         |                           |

VACASSY014

# Filtration

1025



# Filtration

# 1025

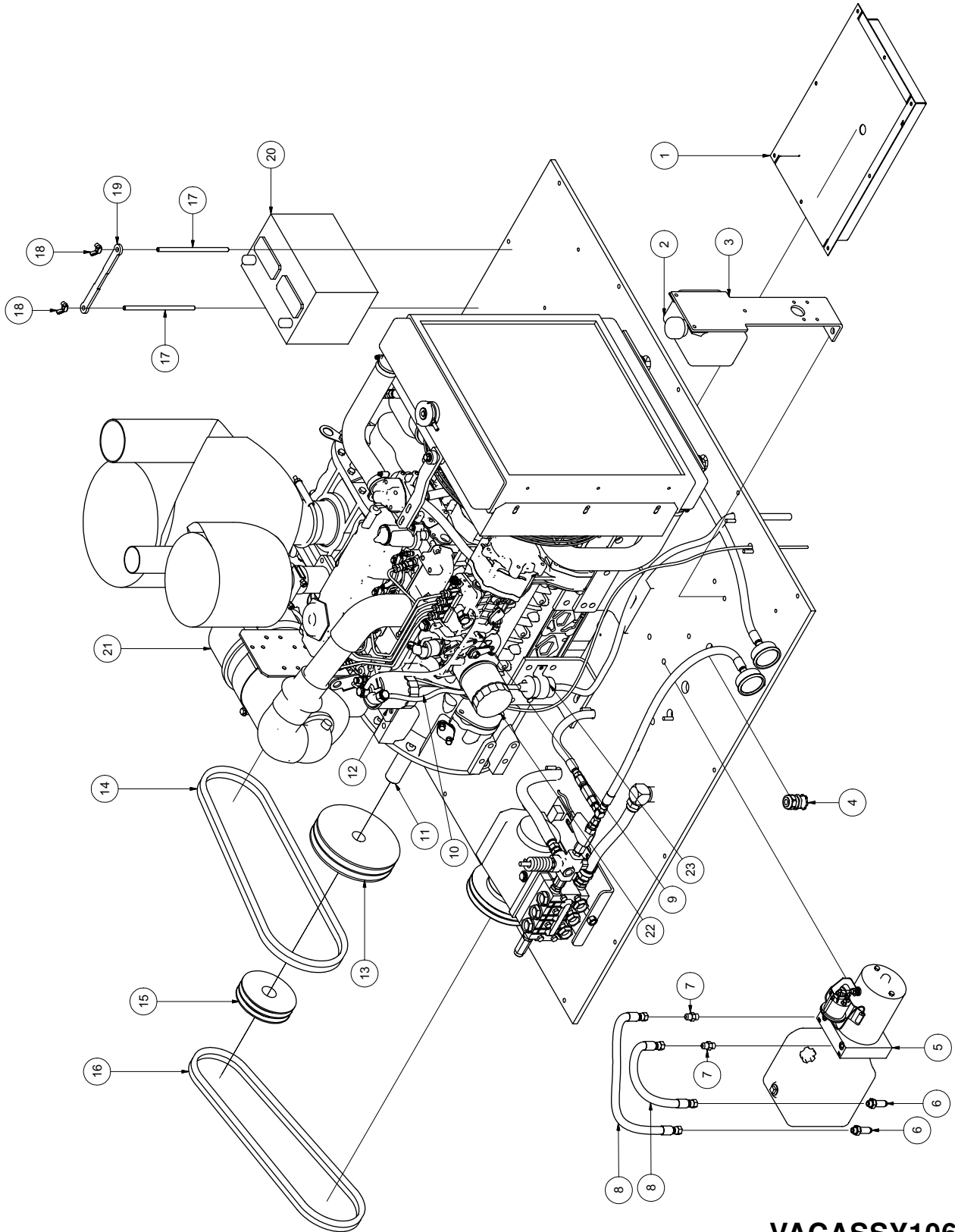
| ITEM | QTY | PART #  | DESCRIPTION                                |
|------|-----|---------|--|
| 1    | 1   | 8040911 | HD CYCLONE SEPERATOR HOUSING               |
|      | 4   | U000420 | SCREW,HC 3/8-16X1.00                       |
|      | 4   | U200600 | WASHER,FLAT 3/8"                           |
|      | 4   | U210061 | NUT,HEX NY 3/8-16                          |
| 2    | 1   | 8041272 | 575/1025 CYCLONE DOOR ASSY                 |
| 3    | 1   | 8041197 | KNOB,CYCLONE                               |
|      | 1   | U200600 | WASHER,FLAT 3/8"                           |
|      | 1   | U210061 | NUT,HEX NY 3/8-16                          |
| 4    | 1   | 8041232 | WASHER,RUBBER BACKED 1/2"                  |
| 5    | 1   | 8041444 | SEAL DOOR 575/1025 CYCLONE                 |
| 6    | 1   | 8042263 | AIR FILTER HOUSING 1025CFM                 |
|      | 4   | U000420 | SCREW,HC 3/8-16X1.00                       |
|      | 8   | U200600 | WASHER,FLAT 3/8"                           |
|      | 4   | U210061 | NUT,HEX NY 3/8-16                          |
| 7    | 1   | 8030160 | WASHABLE AIR FILTER ELEMENT                |
| 8    | 1   | U130080 | NUT,WING 1/2-13                            |
| 9    | 1   | 8041541 | 1025 DOOR WITH TAB                         |
|      | 1   | U000560 | SCREW,HC 3/8-16X3.00                       |
|      | 2   | U200600 | WASHER,FLAT 3/8"                           |
|      | 1   | U210061 | NUT,HEX NY 3/8-16                          |
| 10   | 1   | 8041218 | KNOB,AIR FILTER                            |
| 11   | 1   | 8041232 | WASHER,RUBBER BACKED 1/2"                  |
| 12   | 1   | 8041450 | AIR FILTER HOUSING DOOR SEAL               |
| 13   | 1   | U200100 | WASHER,FLAT 1/2"                           |
| 14   | 1   | 8040302 | THREADED ROD, AIR FILTER HSG               |
| 15   | 1   | 8042951 | TANK TO CYCLONE HOSE AG SUCTION 4-58       |
|      | 2   | 8042606 | CLAMP HOSE T-BOLT 450                      |
| 16   | 1   | 8044130 | AIR FILTER TO BLOWER HOSE AG SUCTION 4-172 |
|      | 2   | 8042606 | CLAMP HOSE T-BOLT 450                      |
| 17   | 1   | 8042931 | CYCLONE TO AIR FILTER HOSE AG SUCTION 4-26 |
|      | 2   | 8042606 | CLAMP HOSE T-BOLT 450                      |





# Power Pack Assembly

# V800HD



VACASSY106



# Power Pack Assembly

# V800HD

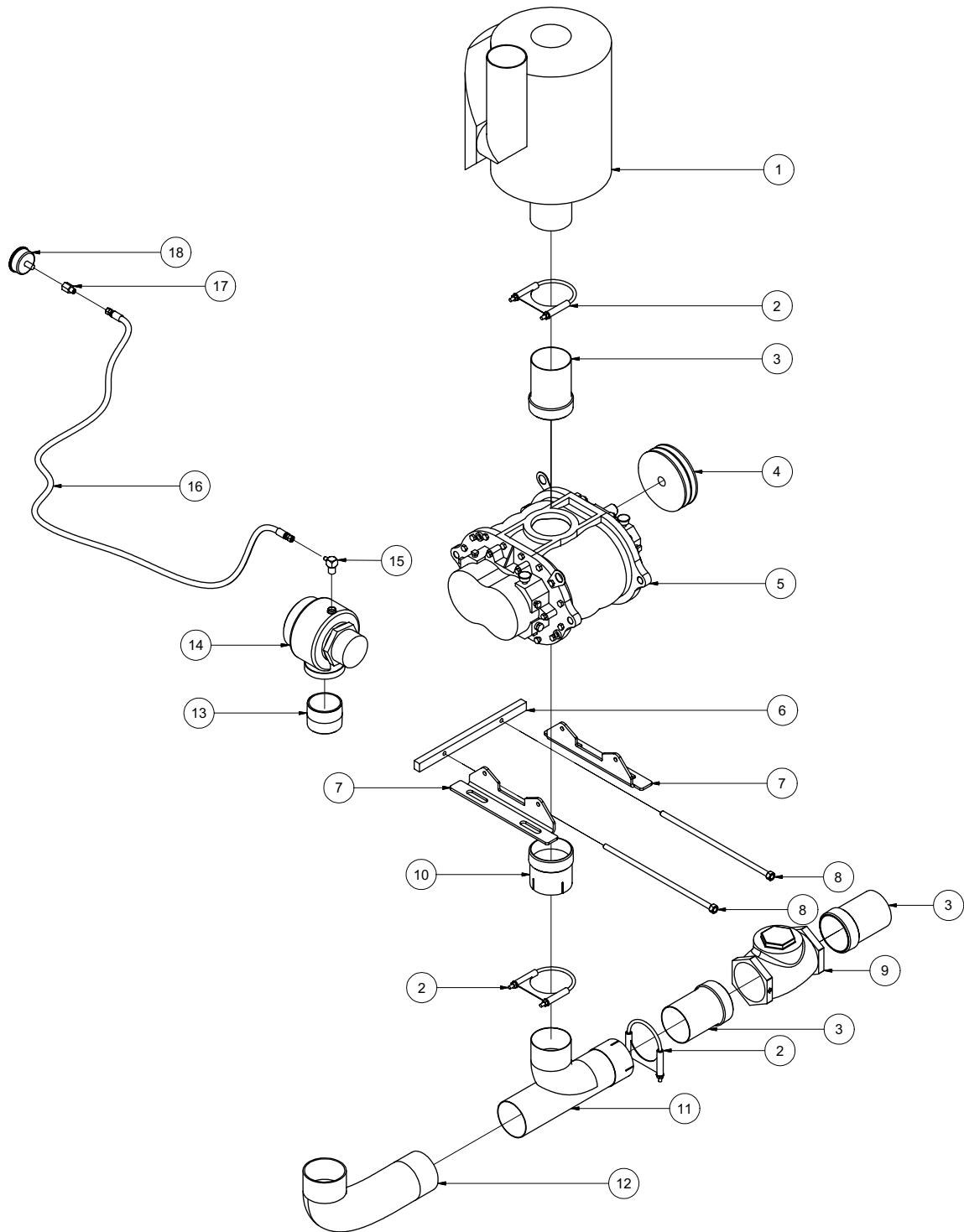
| ITEM | QTY | NUMBER    | DESCRIPTION                          |
|------|-----|-----------|--------------------------------------|
| 1    | 1   | 8040694   | DRIP PAN 73HP                        |
|      | 8   | U000040   | SCREW, HC 1/4 - 20 X .750            |
|      | 8   | U210020   | WASHER, LOCK 1/4"                    |
|      | 8   | U200020   | WASHER, FLAT 1/4"                    |
| 2    | 1   | 8040645   | TANK, OVERFLOW COOLANT               |
|      | 3   | U000040   | SCREW, HC 1/4"-20 X 3/4"             |
|      | 6   | U200020   | WASHER,FLAT 1/4"                     |
|      | 3   | U210020   | WASHER, LOCK 1/4"                    |
|      | 3   | U100020   | NUT, HEX 1/4"-20                     |
| 3    | 1   | 8040577   | WATER REGULATOR/OVERFLOW BRACKET     |
|      | 2   | U000817   | SCREW, HC 1/2"-13 X 1"               |
|      | 2   | U210100   | WASHER, LOCK 1/2"                    |
|      | 2   | U200100   | WASHER, FLAT 1/2"                    |
| 4    | 1   | X000112   | CONNECTOR, PANEL 3/4 MNPT-3/4FNPT    |
|      | 1   | X000109   | STRAIN RELIEF, 3/4"                  |
|      | 1   | X000108   | 3/4" COUPLING NUT                    |
| 5    | 1   | 8041601   | HYDRAULIC POWER PACK, 12V            |
|      | 2   | U000420   | SCREW, HC 3/8"-16 X 1"               |
|      | 2   | U210060   | WASHER, LOCK 3/8"                    |
|      | 2   | U200600   | WASHER, FLAT 3/8"                    |
| 6    | 2   | T400391   | BULKHEAD 6MP 6MP                     |
| 7    | 2   | T400037   | UNION 6MB-6MJ                        |
| 8    | 2   | 8040973   | HOSE ASSY VAC 6-20 ST-90             |
| 9    | 1   | 8041473   | HOSE FUEL 5/16-18                    |
|      | 2   | 8041472   | HOSE FUEL 5/16-72                    |
|      | 6   | U800015   | CLAMP, HOSE 04 - 5/8"                |
| 10   | 1   | 8041474   | HOSE FUEL 5/16-14                    |
|      | 2   | U800015   | CLAMP, HOSE 04 - 5/8"                |
| 11   | 1   | 8030908   | KUBOTA V3300                         |
|      | 1   | 8030908-1 | MUFFLER                              |
|      | 4   | U000820   | SCREW, HC 1/2"-13 X 1 1/4"           |
|      | 4   | U210100   | WASHER, LOCK 1/2"                    |
|      | 4   | U200100   | WASHER, FLAT 1/2"                    |
| 12   | 1   | 8041053   | KUBOTA FUEL FILTER                   |
| 13   | 1   | 8040482   | SHEAVE 8.35 DIA 2 GROOVE             |
|      | 1   | 8040483   | BUSHING 1 7/16" SK                   |
|      | 1   | U410125   | KEY 3/8" X 3/8" X 2"                 |
| 14   | 2   | 8041027   | BELT BX54                            |
| 15   | 1   | 8040480   | SHEAVE 4.15 DIA 2 GROOVE             |
|      | 1   | 8040481   | BUSHING 1 7/16" SH                   |
|      | 1   | U410125   | KEY 3/8" X 3/8" X 2"                 |
| 16   | 2   | 8041082   | BELT AX48                            |
| 17   | 2   | 8040684   | ROD, BATTERY HOLD DOWN               |
| 18   | 2   | U130040   | NUT, WING 3/8"-16                    |
| 19   | 1   | 8050016   | BATTERY HOLD DOWN                    |
| 20   | 1   | X400020   | MT-34R 12V BATTERY                   |
|      | 1   | X300110   | CABLE BATTERY VAC #711431 14"        |
|      | 1   | X300001   | CABLE BATTERY VAC #714134 41 1/2"    |
| 21   | 1   | 8041054   | KUBOTA AIR FILTER ELEMENT(PRIMARY)   |
|      | 1   | 8041055   | KUBOTA AIR FILTER ELEMENT(SECONDARY) |
| 22   | 1   | 8032002   | KUBOTA OIL FILTER                    |
| 23   | 1   | 8041056   | PUMP, ELECTRIC FUEL                  |
| *    | 4   | 8030904   | ISOLATOR                             |
|      | 4   | U001320   | SCREW, HC 5/8-11 X 4                 |
|      | 4   | 8030851   | WASHER, SNUBBING                     |
|      | 4   | U210140   | EASHER,LOCK 5/8                      |
|      | 4   | U100180   | NUT, HEX 5/8-11                      |
|      | 8   | U000420   | SCREW,HC 3/8-16 X 1                  |
|      | 16  | U200060   | WASHER,FLAT 3/8                      |
|      | 8   | U210060   | WASHER,LOCK 3/8                      |
|      | 8   | U100060   | NUT,HEX 3/8-16                       |
| *    | 1   | 8043127   | ELECTRICAL CONTROL BRACKET           |
| *    | 1   | X200005   | ENGINE HARNESS                       |
| *    | 1   | X200002   | HYDRAULIC PUMP HARNESS               |

\* NOT SHOWN

**VACASSY106**

# Blower Assembly

# V800HD



VACASSY207

# Blower Assembly

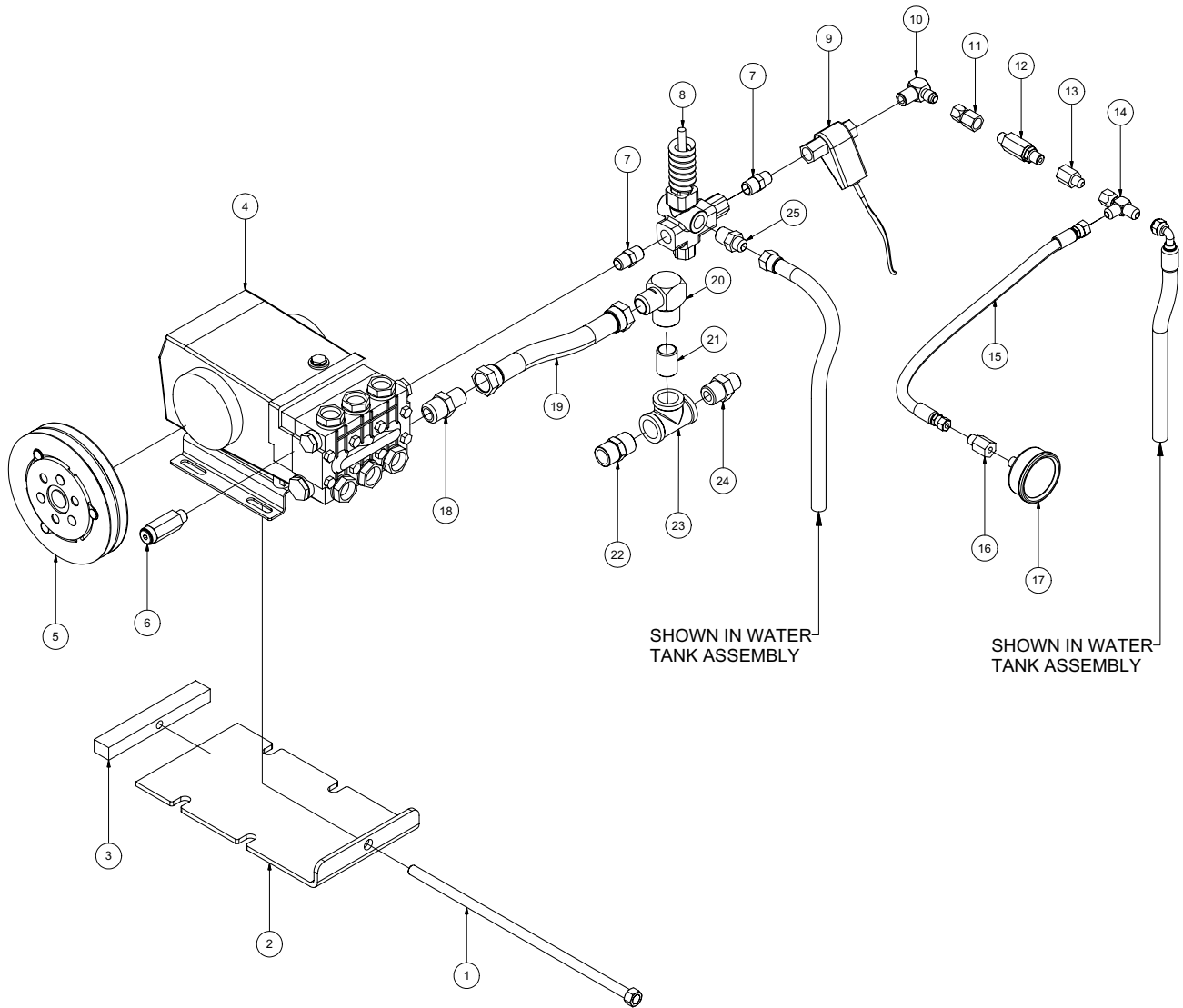
# V800HD

| ITEM | QTY | NUMBER  | DESCRIPTION                    |
|------|-----|---------|--------------------------------|
| 1    | 1   | 8030917 | SILENCER,1025 CFM, COWL        |
| 2    | 3   | 8031193 | 4" EXHAUST CLAMP               |
| 3    | 2   | 8030560 | EXHAUST ADAPTER 4" MNPT - 4"OD |
| 4    | 1   | 8040484 | SHEAVE 6.95 OD SDS 2-GROOVE    |
|      | 1   | 8040485 | BUSHING 1 1/8" SDS             |
|      | 1   | U410090 | KEY 1/4" X 1/4" X 2 3/4"       |
| 5    | 1   | 8040001 | BLOWER (MODEL 59)              |
|      | 4   | U000817 | SCREW, HC 1/2" - 13 X 1"       |
|      | 4   | U210100 | WASHER, LOCK 1/2"              |
|      | 4   | U200100 | WASHER, FLAT 1/2"              |
| 6    | 1   | 8040904 | TENSION BLOCK 1025CFM          |
| 7    | 2   | 8040710 | BLOWER FOOT (MODEL 59)         |
| 8    | 2   | 8041507 | ROD TIGHTENER WELD" T          |
| 9    | 1   | 8041043 | CHECK VALVE 4" FNPT            |
| 10   | 1   | 8040991 | EXHAUST ADAPTER 4" MNPT - 4ID  |
| 11   | 1   | 8040930 | WYE 4" IDOD                    |
| 12   | 1   | 8041026 | 4" INLET HEADER HOSE           |
| 13   | 1   | 8030403 | 3" CLOSE NIPPLE                |
| 14   | 1   | 8030866 | KUNKLE VALVE, 1025 CFM         |
| 15   | 1   | T400590 | ELBOW 6MP 4MJ                  |
| 16   | 1   | 8041024 | HOSE ASSY VAC4-80 ST-ST        |
| 17   | 1   | 8030483 | UNION 4FP 4MJ                  |
| 18   | 1   | 8030371 | VACUUM GAUGE                   |

VACASSY207

# Water Pump Assembly

# V800HD



VACASSY302

# Water Pump Assembly

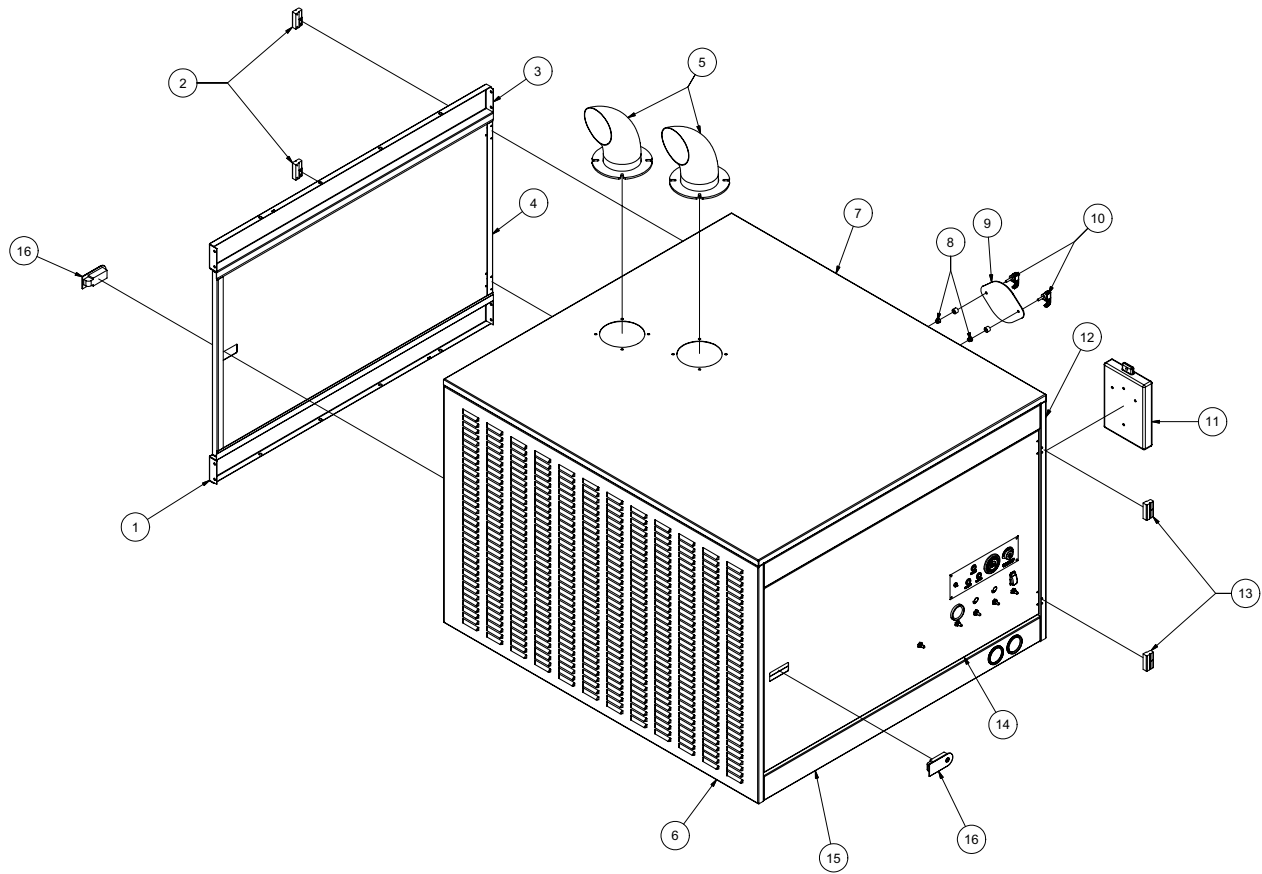
# V800HD

| ITEM | QTY | NUMBER  | DESCRIPTION                   |
|------|-----|---------|-------------------------------|
| 1    | 1   | 8040751 | WATER PUMP TENSIONER ROD      |
| 2    |     | N/A     | N/A                           |
| 3    | 1   | 8040893 | WATER PUMP TENSIONER BLOCK    |
| 4    | 1   | 8031279 | WATER PUMP                    |
|      | 4   | U000420 | SCREW, HC 3/8"-16 X 1"        |
|      | 4   | U210060 | WASHER, LOCK 3/8"             |
|      | 4   | U200600 | WASHER, FLAT 3/8"             |
| 5    | 1   | 8030961 | WATER PUMP CLUTCH             |
|      | 1   | U410094 | KEY 5/16" X 5/16" X 1 3/8"    |
| 6    | 1   | 8030340 | SAFETY RELIEF VALVE 6GPM      |
| 7    | 2   | T400805 | UNION, 8MP 6MP                |
| 8    | 1   | 8030341 | UNLOADER VALVE                |
| 9    | 1   | 8031267 | FLOW SWITCH                   |
| 10   | 1   | T401102 | ELBOW, 6MJ 6MP                |
| 11   | 1   | 8031125 | UNION, 6FJ 4FP                |
| 12   | 1   | 8030923 | HIGH PRESSURE WATER FILTER    |
| 13   | 2   | 8031126 | UNION, 4FP 6MJ                |
| 14   | 1   | T402153 | TEE, 6MJ 6MJ 6FJ              |
| 15   | 1   | 8040971 | HOSE ASSY VAC 4-19 ST-ST 6FJ  |
| 16   | 1   | 8030483 | UNION, 4FP 4MJ                |
| 17   | 1   | 8030372 | WATER PRESSURE GAUGE 1/4NPT   |
| 18   | 1   | T400070 | UNION, 8MP 12MJ               |
| 19   | 1   | 8040972 | HOSE VAC PUSH 12-8 1/2        |
|      | 2   | 8030525 | FITTING, HOSE #12FJ PUSH LOCK |
| 20   | 1   | T401180 | ELBOW, 12MP 12MJ              |
| 21   | 1   | T421020 | NIPPLE, PIPE 12MP 12MP        |
| 22   | 1   | T400100 | UNION, 12MP 12MJ              |
| 23   | 1   | T402160 | TEE 12FP 12FP 12FP            |
| 24   | 1   | T400080 | REDUCER, 12MP 8MJ             |
| 25   | 1   | T400040 | UNION, 8MP 8MJ                |

VACASSY302

# Enclosure Assembly

# V800HD



VACASSY406

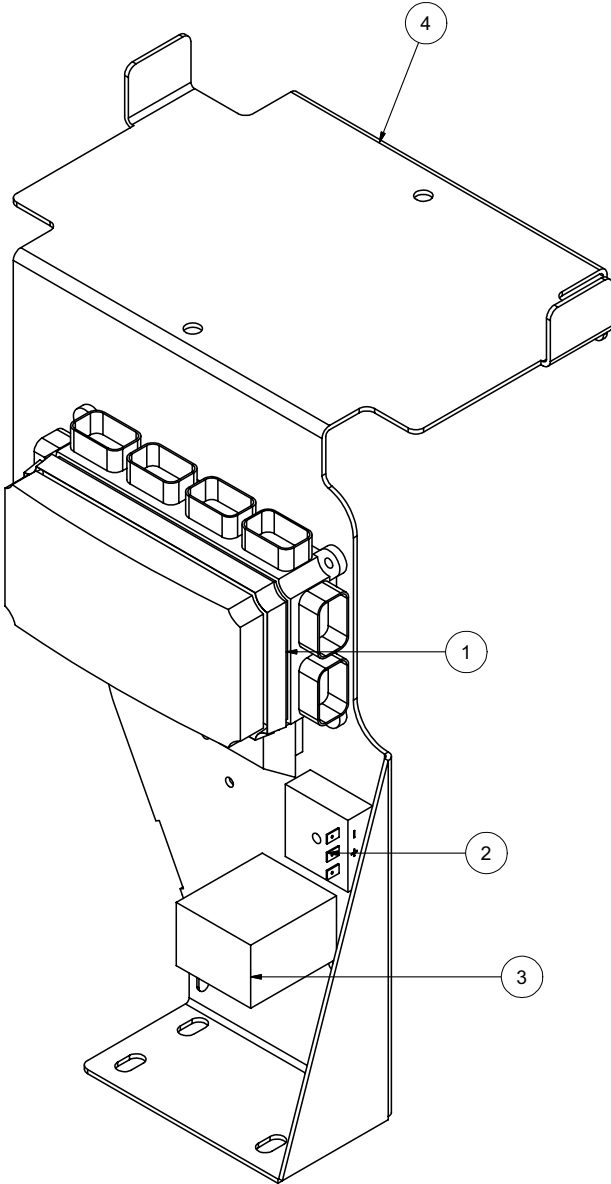
# Enclosure Assembly

# V800HD

| ITEM | QTY | NUMBER  | DESCRIPTION              |
|------|-----|---------|--------------------------|
| 1    | 1   | 8041014 | SIDE PANEL               |
| 2    | 2   | 8040589 | OFFSET HINGE TYPE A      |
|      | 8   | U030525 | SCREW, PAN HD #10-32X1/2 |
| 3    | 2   | 8040692 | UPPER SIDE PANEL         |
| 4    | 1   | 8040700 | DOOR                     |
| 5    | 2   | 8041195 | EXHAUST WELDMENT         |
| 6    | 1   | 8041011 | BACK SHEET               |
| 7    | 1   | 8040852 | TOP SHEET                |
| 8    | 2   | U120142 | NUT, FLANGED LOCK 1/4-20 |
| 9    | 1   | 8040592 | RADIATER ACCESS PLATE    |
| 10   | 2   | 8040334 | LATCH, SWELL             |
| 11   | 1   | E250211 | MANUAL BOX               |
| 12   | 1   | 8041012 | FRONT SHEET              |
| 13   | 2   | 8040588 | OFFSET HINGE TYPE B      |
|      | 8   | U030525 | SCREW, PAN HD #10-32X1/2 |
| 14   | 1   | 8040745 | DOOR, CONTROL            |
| 15   | 1   | 8041013 | SIDE PANEL W/ GAUGES     |
| 16   | 2   | 8040586 | LATCH, LEVER LOCKABLE    |
| *    | 72  | U000060 | SCREW, HC 1/4-20X1       |
| *    | 126 | U200020 | WASHER, FLAT 1/4         |
| *    | 72  | U210020 | WASHER, LOCK 1/4         |
| *    | 54  | U100020 | NUT, HEX 1/4-20          |
| *    | 1   | 8041171 | HANDLE                   |
|      | 2   | U001017 | SCREW,HSH 1/4-20 X 1.25  |
|      | 2   | U200020 | WASHER, FLAT 1/4         |
|      | 2   | U120100 | NUT, HEX LOCK 1/4-20     |
| *    | 4   | 8041483 | DOOR SEAL VERTICAL       |
| *    | 4   | 8041484 | DOOR SEAL HORIZONTAL     |
|      |     | *       | NOT SHOWN                |

VACASSY406

# Electrical Control Bracket



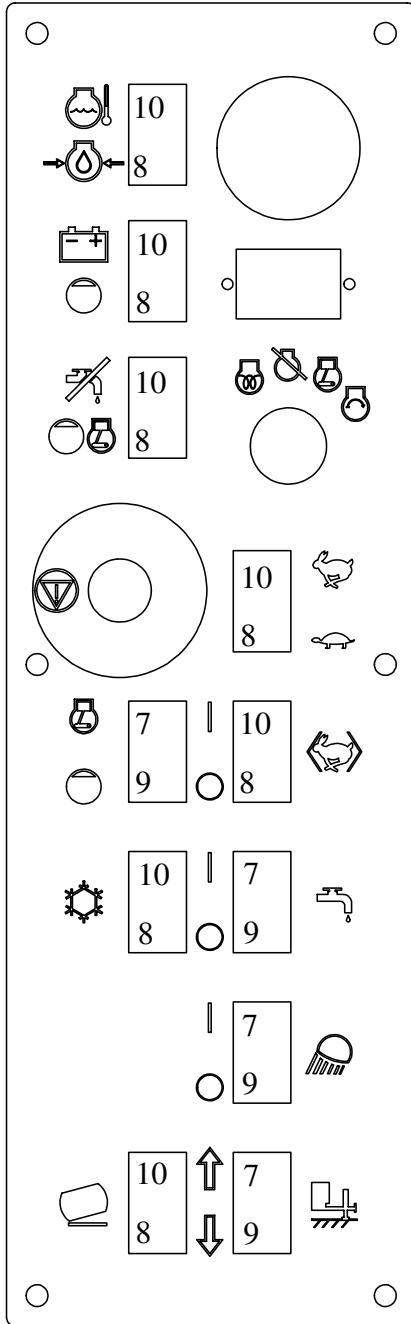


# Electrical Control Bracket

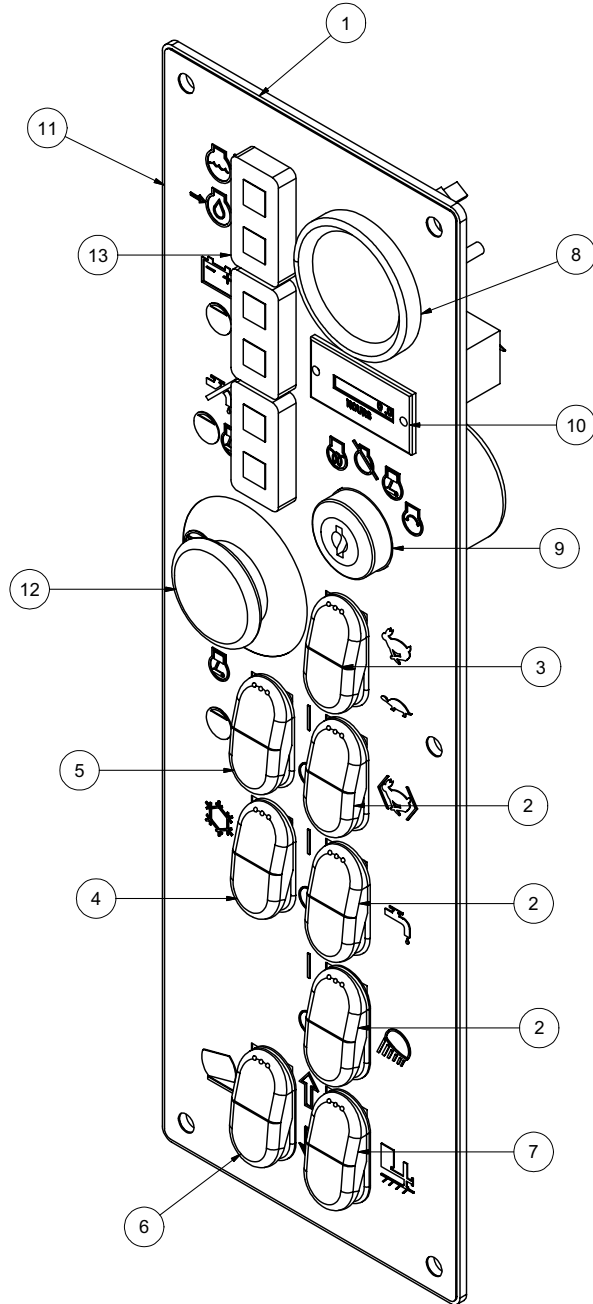
| ITEM | QTY | PART NO. | DESCRIPTION                       |
|------|-----|----------|-----------------------------------|
| 1    | 1   | X000213  | BUSSMAN VEC                       |
| 2    | 1   | 8031231  | SWITCH, DELAY RELAY               |
| 3    | 1   | X000240  | RELAY TIME 15 SECOND              |
| 4    | 1   | 8043129  | CONTROL PANEL - HARNESS MTG PLATE |
| *    | 1   | X200005  | HARNESS VAC CONTROL               |
| *    | 1   | X400050  | BATTERY, 31-MHD WORKAHOLIC        |
| *    | 2   | 8043742  | BATTERY HOLD DOWN ROD ASSY        |
| *    | 1   | X300218  | BATTERY GROUND CABLE              |
| *    | 4   | X300181  | BATTERY HOT CABLE                 |

\* NOT SHOWN

# Control Panel



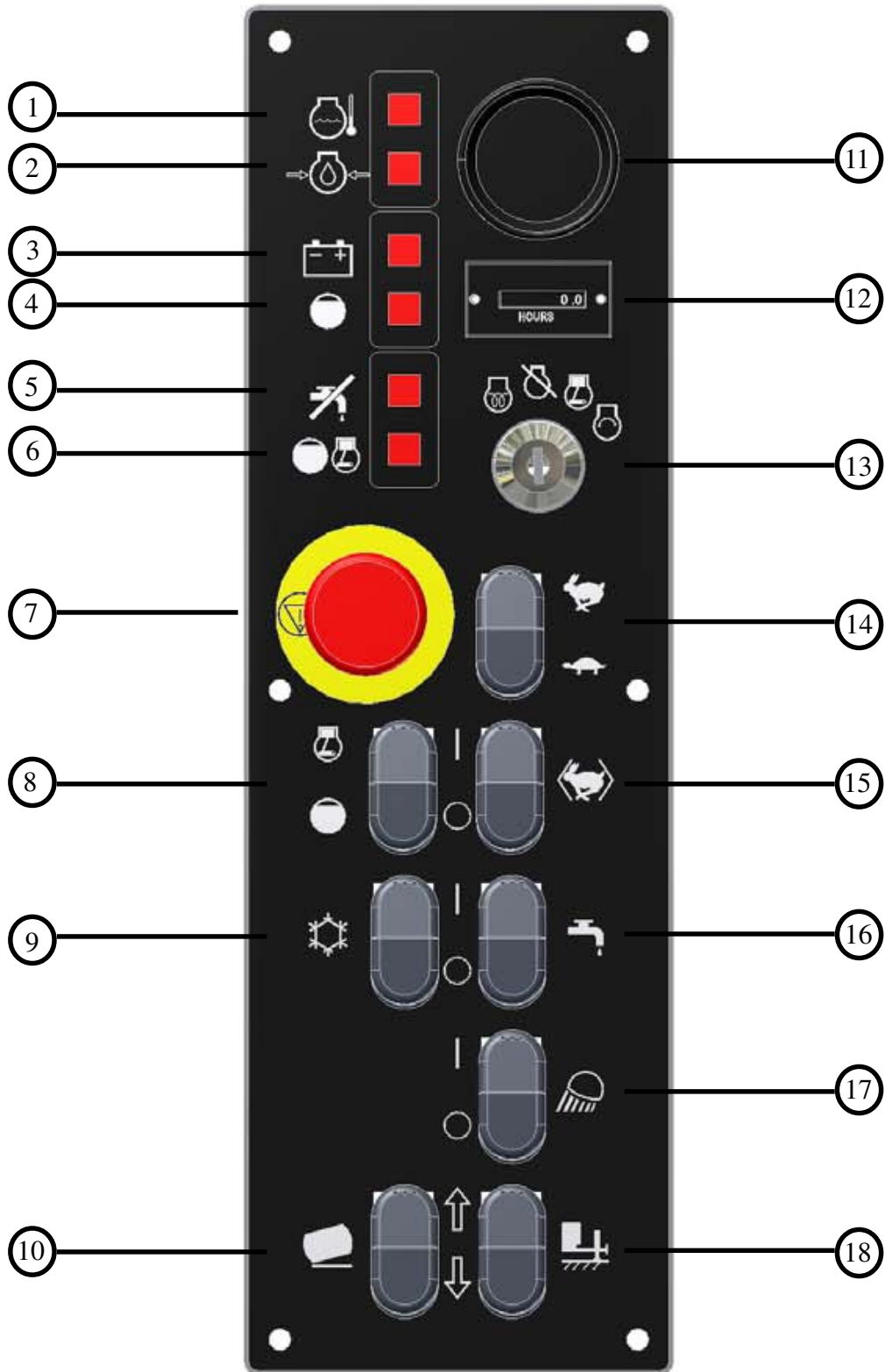
**TERMINAL POSITIONS**



# Control Panel

| <b>ITEM</b> | <b>QTY</b> | <b>PART NO.</b> | <b>DESCRIPTION</b>               |
|-------------|------------|-----------------|----------------------------------|
| 1           | 1          | 8043128         | CONTROL PANEL - MAIN PLATE       |
| 2           | 3          | X000270         | ROCKER SWITCH SPST ON-OFF        |
| 3           | 1          | X000271         | ROCKER SWITCH DPST ON-ON         |
| 4           | 1          | X000272         | ROCKER SWITCH DPST (ON) NONE-ON  |
| 5           | 1          | X000273         | ROCKER SWITCH SPST (ON) NONE-OFF |
| 6           | 1          | X000274         | ROCKER SWITCH DPDT (ON) OFF (ON) |
| 7           | 1          | X000290         | ROCKER SWITCH PLUG               |
| 8           | 1          | X100001         | FUEL GAUGE                       |
| 9           | 1          | 8030458         | IGNITION SWITCH                  |
| 10          | 1          | X000300         | HOUR METER                       |
| 11          | 1          | J200031         | DECAL - CONTROL PANEL            |
| 12          | 1          | X000280         | E-STOP                           |
| 13          | 3          | X000260         | LIGHT LED DUAL PANEL             |

# Control Panel

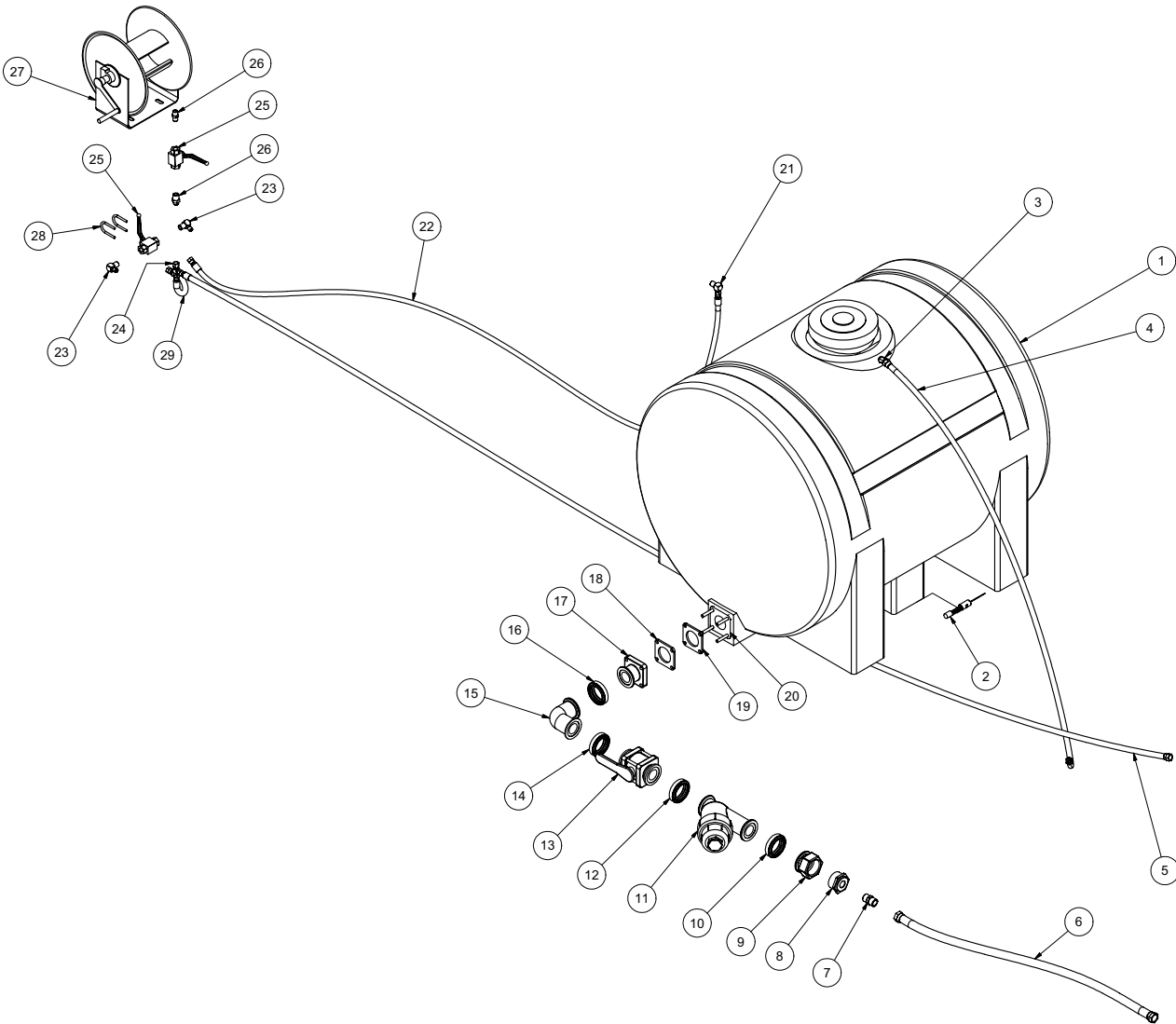


# Control Panel

| <b>ITEM</b> | <b>DESCRIPTION</b>               |
|-------------|----------------------------------|
| 1           | ENGINE COOLANT TEMPERATURE LIGHT |
| 2           | ENGINE OIL PRESSURE LIGHT        |
| 3           | BATTERY LIGHT                    |
| 4           | TANK FULL LIGHT                  |
| 5           | LOW WATER LIGHT                  |
| 6           | TANK FULL OVERRIDE LIGHT         |
| 7           | EMERGENCY STOP                   |
| 8           | TANK FULL OVERRIDE SWITCH        |
| 9           | ANTI-FREEZE SWITCH               |
| 10          | TANK R/L SWITCH                  |
| 11          | FUEL GAUGE                       |
| 12          | HOUR METER                       |
| 13          | KEY SWITCH                       |
| 14          | HI/LO THROTTLE SWITCH            |
| 15          | AUTOMATIC THROTTLE SWITCH        |
| 16          | WATER PUMP CLUTCH SWITCH         |
| 17          | WORK LIGHT SWITCH                |
| 18          | PLUG/HYD JACK SWITCH             |

# Water Tank Assembly

# V800HD



VACASSY604

# Water Tank Assembly

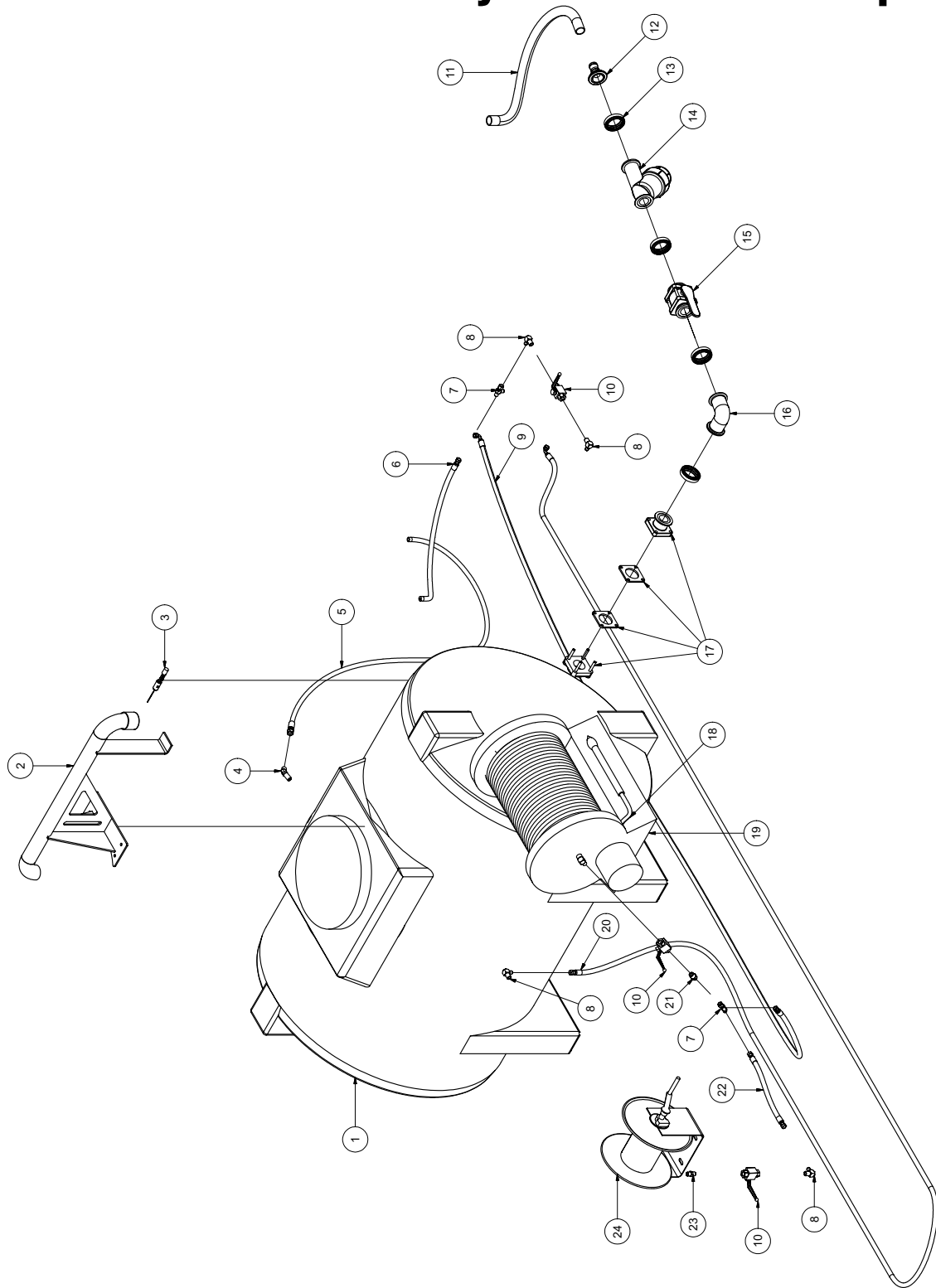
# V800HD

| ITEM | QTY | NUMBER   | DESCRIPTION                  |
|------|-----|----------|------------------------------|
| 1    | 1   | 8030338  | 230 GALLON WATER TANK        |
|      | 2   | 8040084  | WATER TANK STRAP             |
|      | 1   | 8030931  | WATER TANK LID               |
| 2    | 1   | 8030343  | LOW WATER LEVEL SWITCH       |
| 3    | 1   | 8030518  | BULKHEAD 45 DEG, 8MJ         |
| 4    | 1   | 8041465  | HOSE VAC PUSH 8-66           |
|      | 2   | 8030524  | PUSH LOCK HOSE FITTING 8FJ   |
| 5    | 1   | 8041466  | HOSE ASSY VAC 8-160 ST-ST    |
| 6    | 1   | 8041467  | HOSE VAC PUSH 12-36          |
|      | 2   | 8030524  | PUSH LOCK HOSE FITTING 12FJ  |
| 7    | 1   | T400100  | UNION, 3/4MP - 12MJ          |
| 8    | 1   | 8031134  | BUSHING, 2" X 3/4" NPT BANJO |
| 9    | 1   | 8030996  | ADAPTER, FEMALE 2" BANJO     |
| 10   | 1   | 8031000  | CLAMP, WATER MANIFOLD        |
| 11   | 1   | 8031001  | Y-STRAINER, 2" BANJO         |
| 12   | 1   | 8031000  | CLAMP, WATER MANIFOLD        |
| 13   | 1   | 8030998  | BALL VALVE, 1-1/2 ID BANJO   |
| 14   | 1   | 8031000  | CLAMP, WATER MANIFOLD        |
| 15   | 1   | 8030995  | ELBOW, 2" BANJO              |
| 16   | 1   | 8031000  | CLAMP, WATER MANIFOLD        |
| 17   | 1   | 80309971 | FLANGE, 2" BANJO             |
| 18   | 1   | 80309972 | FLANGE GASKET, 2" BANJO      |
| 19   | 1   | 80309972 | FLANGE GASKET, 2" BANJO      |
| 20   | 1   | 80309973 | FLANGE BOLTED, 2" BANJO      |
|      | 4   | U100060  | NUT, HEX 3/8-16              |
|      | 4   | U210060  | WASHER, LOCK 3/8             |
|      | 1   | T401102  | ELBOW, 6MJ - 3/8MP           |
| 22   | 1   | 8041468  | HOSE ASSY VAC 8-130 ST-ST    |
| 23   | 2   | T401102  | ELBOW, 6MJ - 3/8MP           |
| 24   | 1   | T402153  | TEE, 6MJ - 6MJ - 6FJ         |
| 25   | 2   | 8030351  | BALL VALVE, STEEL 3/8FJ      |
| 26   | 2   | T400028  | UNION, 6MJ - 3/8MP           |
| 27   | 1   | 8030346  | HOSE REEL                    |
|      | 4   | U000420  | SCREW, HC 3/8"-16 X 1.0      |
|      | 8   | U200060  | WASHER, FLAT 3/8"            |
|      | 4   | U210060  | WASHER, LOCK 3/8"            |
|      | 4   | U100060  | NUT, HEX 3/8"-16             |
|      | 28  | 2        | U010017                      |
| 29   | 1   | 8041469  | HOSE ASSY VAC 8-16 ST-ST     |

VACASSY604

# Water Tank Assembly

# 410 Tank Option



VACASSY605



# Water Tank Assembly

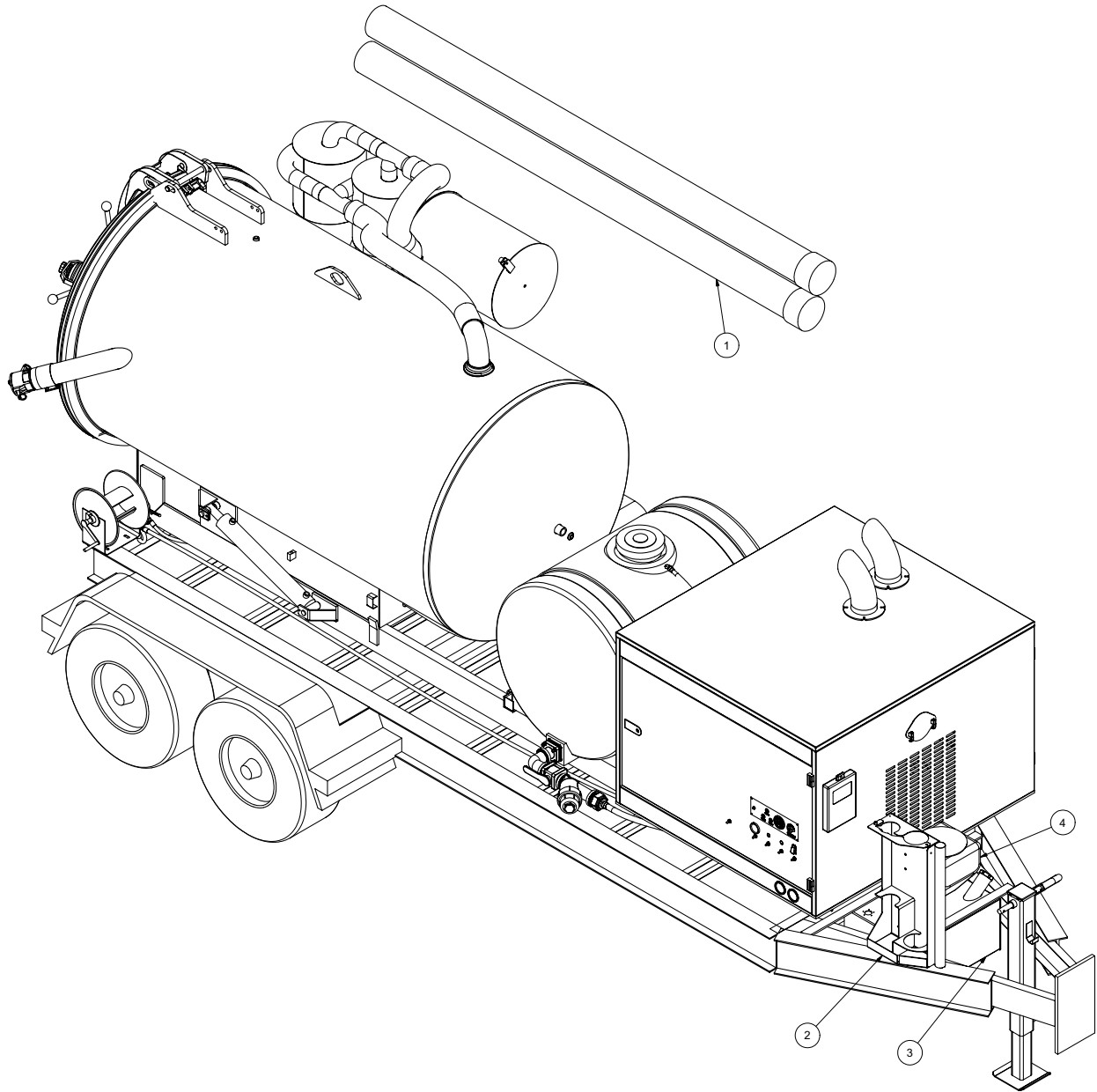
# 410 Tank Option

| ITEM | QTY | NUMBER    | DESCRIPTION                   |
|------|-----|-----------|-------------------------------|
| 1    | 1   | 8031121   | 410 GALLON WATER TANK         |
|      | 2   | 8041535   | WATER TANK STRAP              |
|      | 1   | 8031121-1 | 410 GALLON WATER TANK LID     |
| 2    | 1   | 8041067   | QUICK FILL                    |
|      | 4   | U000425   | SCREW HC 3/8"-16 X 1"         |
|      | 8   | U200600   | WASHER FLAT 3/8"              |
|      | 4   | U210060   | WASHER, LOCK 3/8"             |
|      | 4   | U100060   | NUT, HEX 3/8"-16              |
| 3    | 1   | 8030343   | SWITCH, WATER SHUTOFF         |
| 4    | 1   | 8030518   | 1/2" BULKHEAD 45 DEG.         |
| 5    | 1   | 8042184   | HOSE ASSY VAC 8-80 ST-ST      |
| 6    | 1   | 8042179   | HOSE ASSY VAC 6-36 ST-ST      |
| 7    | 1   | T402153   | TEE #6MJ - #6MJ - #6FJ        |
| 8    | 4   | T401102   | ELBOW, #6MJ - 3/8"MP          |
| 9    | 1   | 8042178   | HOSE ASSY VAC 6-155 ST-90     |
| 10   | 3   | 8030351   | 3/8" BALL VALVE               |
| 11   | 1   | 8042189   | HOSE VAC CLEAR VINYL 1 1/4-36 |
| 12   | 1   | 8041999   | FLANGED HOSE BARB 1 1/4" - 2" |
| 13   | 4   | 8031000   | CLAMP, WATER MANIFOLD         |
| 14   | 1   | 8031001   | Y-STRAINER, 2" BANJO          |
| 15   | 1   | 8030998   | BALL VALVE, 1-1/2 ID BANJO    |
| 16   | 1   | 8030995   | ELBOW, 2" BANJO               |
| 17   | 1   | 80309971  | FLANGE, 2" BANJO              |
|      | 1   | 80309972  | FLANGE GASKET, 2" BANJO       |
|      | 1   | 80309972  | FLANGE GASKET, 2" BANJO       |
|      | 1   | 80309973  | FLANGE BOLTED, 2" BANJO       |
|      | 4   | U100060   | NUT, HEX 3/8-16               |
|      | 4   | U210060   | WASHER, LOCK 3/8              |
| 18   | 1   | 8031131   | 1/2" X 300' JETTER HOSE       |
|      | 1   | 8031132   | 1/2" X 15' LEAD JETTER HOSE   |
|      | 1   | 8040546   | 12-30 JETTER NOZZLE           |
| 19   | 1   | 8031223   | JETTER HOSE REEL W/GUIDES     |
| 20   | 1   | 8042177   | HOSE ASSY VAC 6-254 ST-ST     |
| 21   | 1   | T400028   | UNION 3/8"MP - #6MJ           |
| 22   | 1   | 8041785   | HOSE ASSY VAC 6-18 ST-ST      |
| 23   | 1   | T400803   | UNION 3/8"MP - 3/8"MP         |
| 24   | 1   | 8030346   | HOSE REEL                     |
|      | 4   | U000420   | SCREW, HC 3/8"-16 X 1.0       |
|      | 8   | U200060   | WASHER, FLAT 3/8"             |
|      | 4   | U210060   | WASHER, LOCK 3/8"             |

VACASSY605

# Trailer Assembly

# V800HD



VACASSY906

# Trailer Assembly

# V800HD

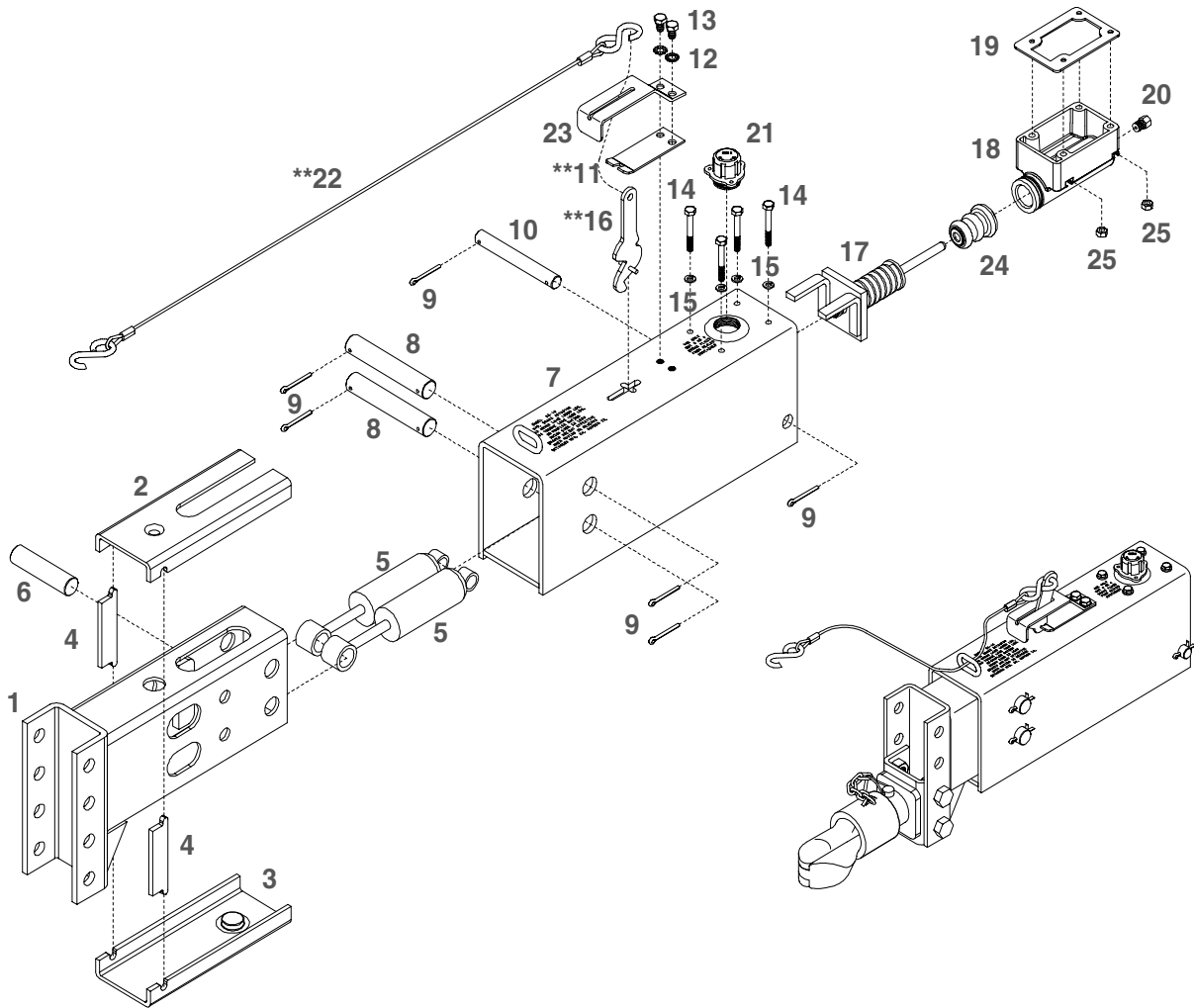
| ITEM | QTY | NUMBER   | DESCRIPTION                |                   |
|------|-----|----------|----------------------------|-------------------|
| 1    | 2   | 8041102  | HOSE STORAGE 6" X 10'      |                   |
|      | 2   | 8030925  | END CAP 6"                 |                   |
|      | 2   | R700160  | R CLIP                     |                   |
|      | 2   | 8041101  | HOSE STORAGE RETAINING ROD |                   |
|      | 2   | 8041485  | LANYARD CABLE              |                   |
|      | 4   | 8040959  | HOSE STORAGE CLAMP         |                   |
|      | 8   | U200060  | WASHER, FLAT 3/8           |                   |
|      | 8   | U100060  | NUT, HEX 3/8               |                   |
|      | 2   | 1        | 8040985                    | TOOL RACK         |
|      |     | 1        | 8040989                    | TOOL RACK CLOSURE |
| 1    |     | R700175  | R CLIP 7/8"                |                   |
| 1    |     | 8041259  | STRAP, 10"                 |                   |
| 1    |     | 8041485  | LANYARD CABLE              |                   |
| 3    | 1   | 8042380  | FUEL TANK (22 GAL)         |                   |
|      | 1   | 80423801 | FUEL CAP                   |                   |
|      | 2   | 8041472  | MAIN FUEL LINE (6FT)       |                   |
|      | 1   | 8043359  | STRAP 1" X 48"             |                   |
|      | 1   | 8030697  | FUEL SENDING UNIT          |                   |
|      | 1   | 8030656  | FUEL FILTER                |                   |
| 4    | 1   | 8030394  | ANTI-FREEZE TANK (4 GAL)   |                   |
|      | 4   | U000180  | SCREW, HC 5/16"-18 X .75"  |                   |
|      | 4   | U200040  | WASHER, FLAT 5/16          |                   |
|      | 4   | U210040  | WASHER, LOCK 5/16          |                   |
|      | 1   | T403100  | UNION 12FP 20MP            |                   |
|      | 1   | T401040  | ELBOW 90 12MP 12MP         |                   |
|      | 1   | T000185  | BALL VALVE 3/4" FP         |                   |
|      | 1   | T400080  | UNION 8MJ - 12MP           |                   |
|      | 2   | 8030524  | # 8 FJ PUSHLOCK            |                   |
|      | 1   | 8041470  | HOSE, ANTIFREEZE           |                   |
|      | *   | 2        | 8041263                    | PLASTIC STRIP     |
| *    | 1   | 8041680  | SKID WELDMENT              |                   |
| *    | 6   | 8040038  | U-BOLT SKID TO TRAILER     |                   |
|      | 6   | 8040240  | U-BOLT MTG. BLOCK          |                   |
|      | 12  | U200100  | WASHER, FLAT 1/2"          |                   |
|      | 12  | U100120  | NUT, HEX 1/2"-13           |                   |

\* ITEM NOT SHOWN

VACASSY906

# Surge Brake Option

# V800HD



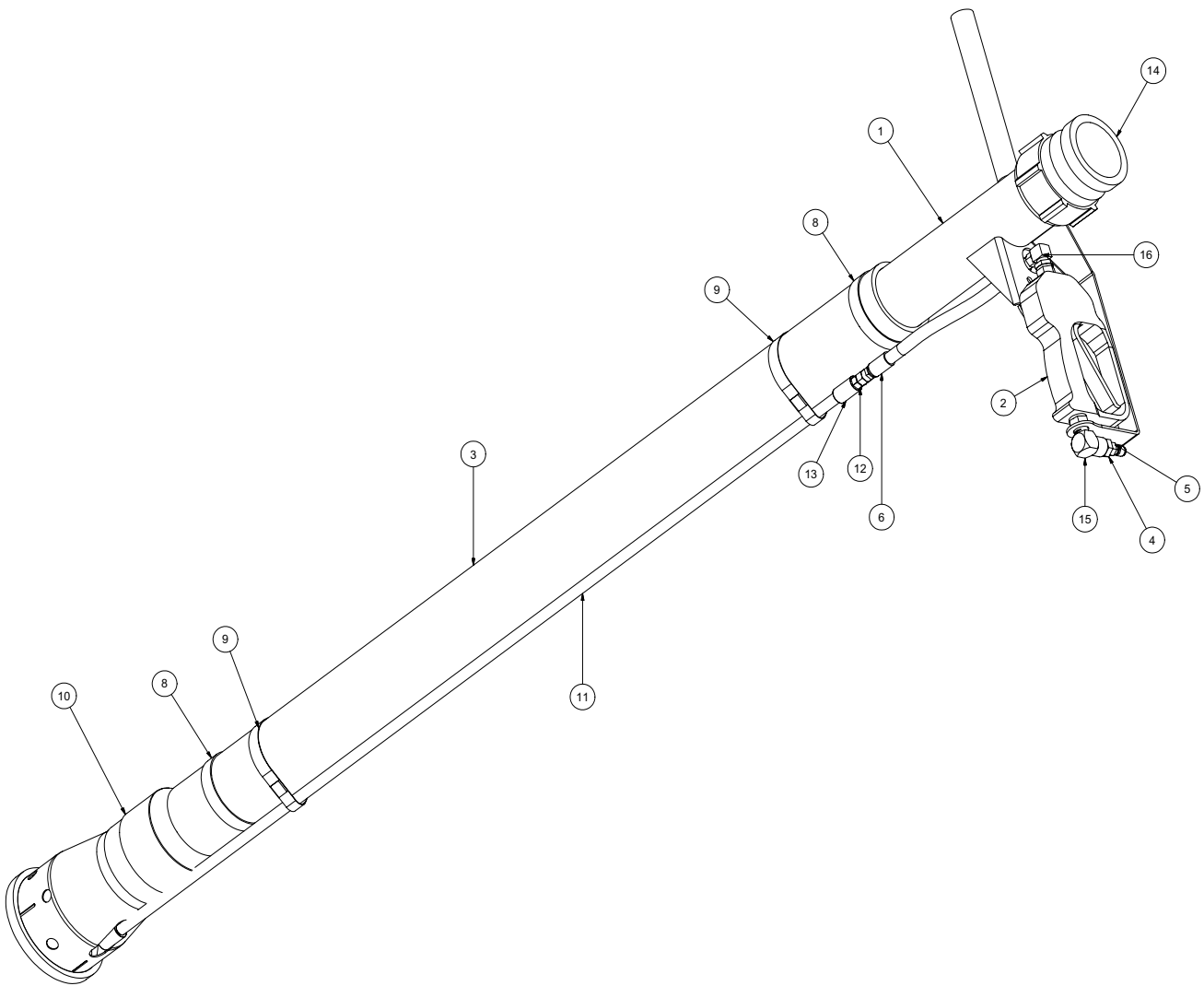
# Surge Brake Option

# V800HD

| <b>ITEM</b> | <b>QTY</b> | <b>NUMBER</b> | <b>DESCRIPTION</b>                         |
|-------------|------------|---------------|--|
| 1           | 1          | 8040790-1     | INNER SLIDER TUBE CHAN. DOWN               |
| 2           | 1          | 8040790-2     | TOP WEAR PAD                               |
| 3           | 1          | 8040790-3     | BOTTOM WEAR PAD                            |
| 4           | 2          | 8040790-4     | SPACER BLOCK                               |
| 5           | 2          | 8040790-5     | DAMPER SHOCK                               |
| 6           | 1          | 8040790-6     | FRONT SHOCK PIN (ZINC PLATED)              |
| 7           | 1          | 8040790-7     | OUTER CASE                                 |
| 8           | 2          | 8040790-8     | CONNECTING PIN (ZINC PLATED)               |
| 9           | 6          | 8040790-9     | 5/32" X 1-1/4" COTIER PIN                  |
| 10          | 1          | 8040790-10    | REAR SHOCK PIN (ZINC PLATED)               |
| 11          | 1          | 8040790-11    | EMERGENCY LEVER SPRING (ZINC PLATED)       |
| 12          | 2          | 8040790-12    | 5/16" EXTERNAL TOOTH LOCK WASHER           |
| 13          | 2          | 8040790-13    | 5/16"-18 UNC X 5/8" HEX HEAD BOLT GR.5     |
| 14          | 4          | 8040790-14    | 1/4"-20 UNC X 2" HEX HEAD BOLT GR.5        |
| 15          | 4          | 8040790-15    | 1/4" LOCK WASHER                           |
| 16          | 1          | 8040790-16    | EMERGENCY LEVER (ZINC PLATED)              |
| 17          | 1          | 8040790-17    | PUSH ROD ASSEMBLY                          |
| 18          | 1          | 8040790-18    | COMPOSITE MASTER CYLINDER (DRUM BRAKES)    |
| 19          | 1          | 8040790-19    | REPLACEMENT MASTER CYL. GASKET ONLY        |
| 20          | 1          | 8040790-20    | 1/8" PIPE-3/16" FITTING W/ORIFICE (DRUM)   |
| 21          | 1          | 8040790-21    | MASTER CYLINDER CAP W/DIAPHRAGM AND O-RING |
| 22          | 1          | 8040790-22    | 3/32" CABLE WITH HOOKS (BOTH ENDS)         |
| 23          | 1          | 8040790-23    | LEVER GUIDE (ZINC PLATED)                  |
| 24          | 1          | 8040790-24    | MASTER CYL. PROTECTIVE BOOT                |
| 25          | 4          | 8040790-25    | 1/4"-20 UNC HEX NUTS                       |

# Tools

# Reduction Tool



# Tools

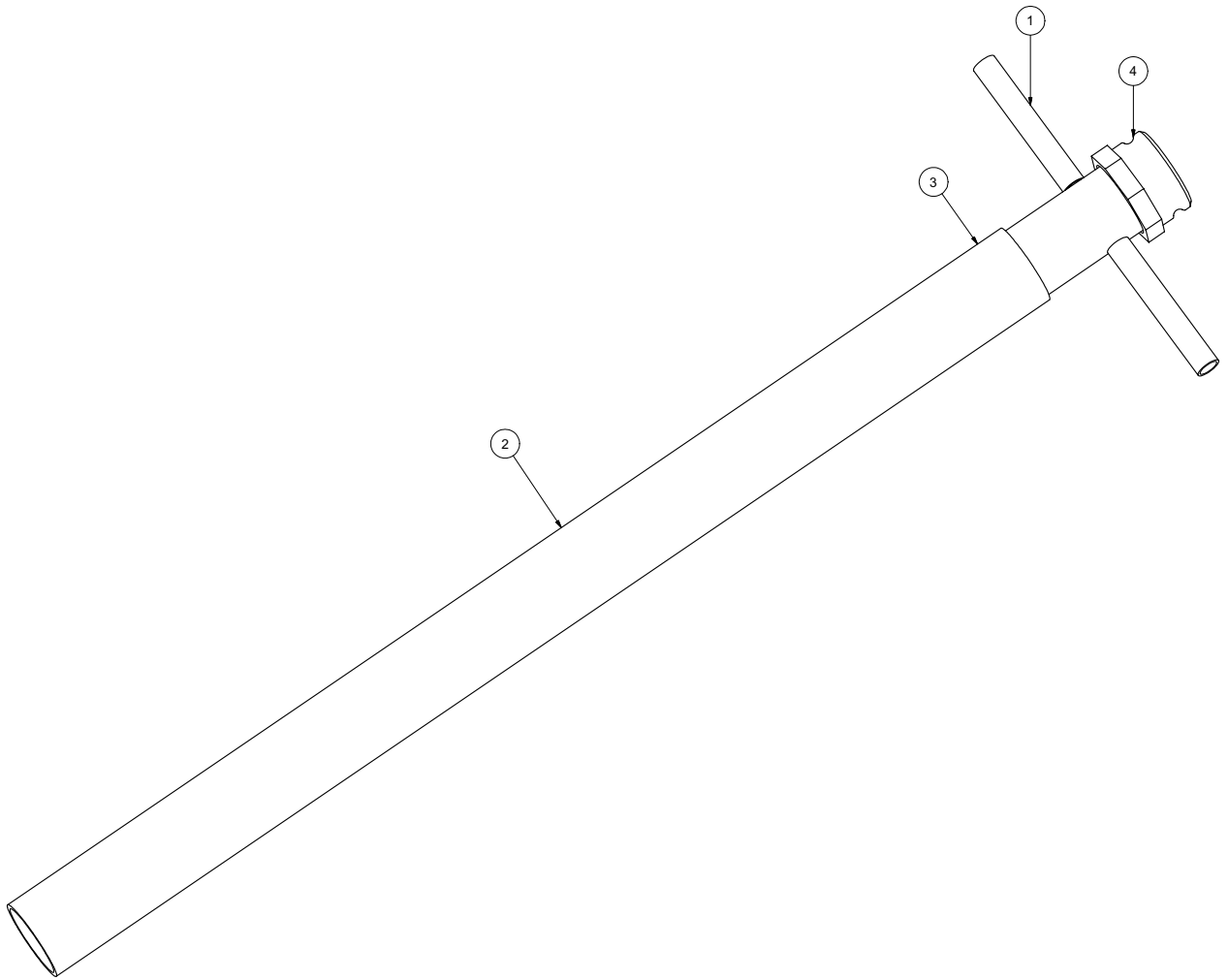
# Reduction Tool

| ITEM | QTY | PART NO. | DESCRIPTION                     |
|------|-----|----------|---------------------------------|
| -    | -   | 8030202  | TOOL VAC REDUCTION STD COMPLETE |
| 1    | 1   | 8042862  | TOOL VAC HEAD ASSY 3"           |
| 2    | 1   | 8042026  | STRAIGHT SPRAY GUN              |
| 3    | 1   | 8030212  | TOOL VAC REDUCTION PVC 3" X 54" |
| 4    | 1   | T400023  | UNION 6MP 4FP                   |
| 5    | 1   | 8030486  | WATER QD 1/4 MNPT SS            |
| 6    | 2   | T320030  | FITTING, HOSE 4HO 4FJ           |
| 7    | 1   | 8031278  | HOSE ASSEMBLY REDUCTION TOOL    |
| 8    | 2   | 8042605  | CLAMP HOSE T BOLT 350           |
| 9    | 2   | 8042855  | CLAMP HOSE T BOLT 375           |
| 10   | 1   | 8030627  | TOOL VAC REDUCTION LOWER ASSY   |
| 11   | 1   | 8030247  | VAC WATER SUPPLY TUBE           |
| 12   | 1   | T400020  | UNION 1/4" MP-1/4" MJ STRAIGHT  |
| 13   | 1   | 8030367  | VAC FITT 1/4" FF-S              |
| 14   | 1   | 8030391  | BANJO 3" MALE 3" FNPT           |
| 15   | 1   | T401065  | ELBOW, 3/8 MP - 3/8 FP          |
| 16   | 1   | T401100  | ELBOW 4MP 4MJ 90                |
| *    | 2   | 8030370  | REDUCTION TOOL NOZZLE           |
| *    | 2   | 8031268  | REDUCTION TOOL NOZZLE 45 DEG    |

\* NOT SHOWN

# Tools

# 4" Suction Tool





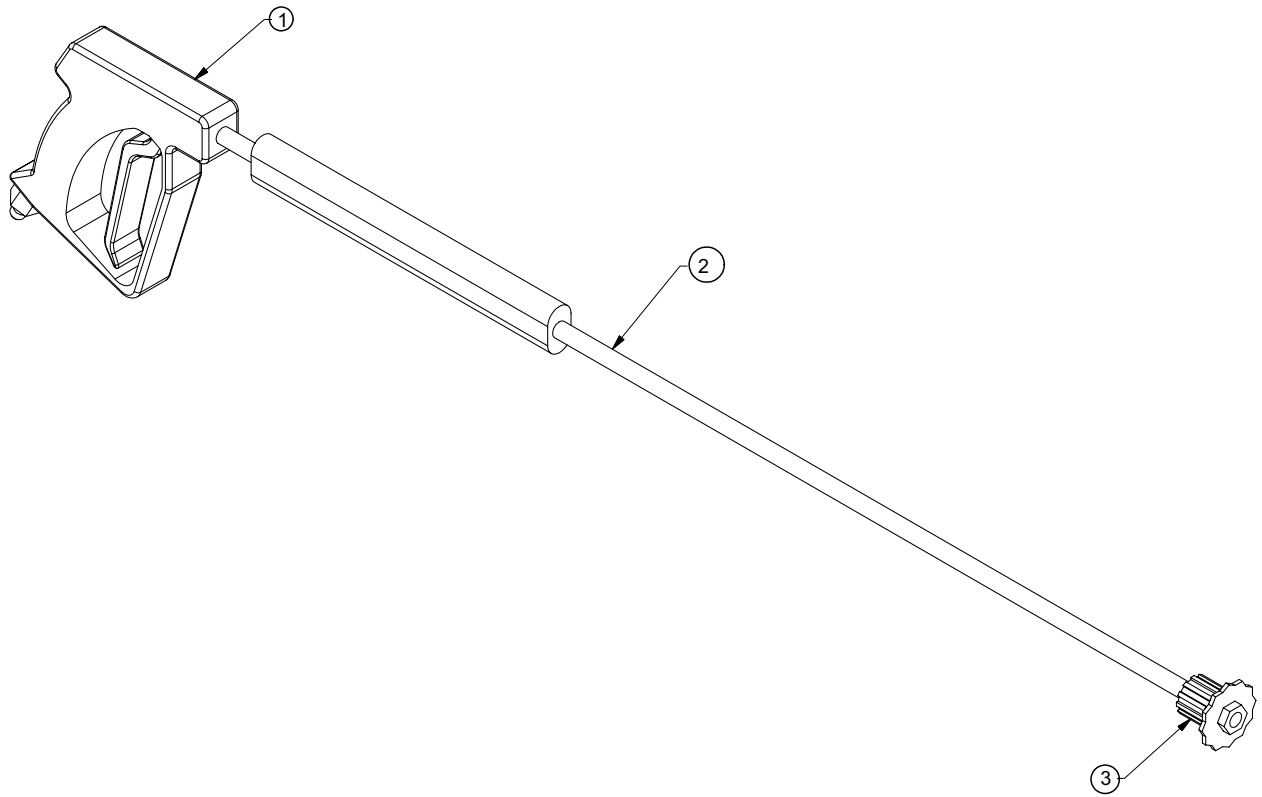
# Tools

# 4" Suction Tool

| <b>Item</b> | <b>Qty</b> | <b>Number</b> | <b>Description</b>              |
|-------------|------------|---------------|---------------------------------|
|             | 1          | 8040983       | TOOL VAC SUCTION 4" COMPLETE    |
| 1           | 1          | 8040981       | TOOL VAC HANDLE ASSEMBLY 4"     |
| 2           | 1          | 8040982       | PVC VACUUM TUBE 4"              |
| 3           | 1          | 8030912       | CLAMP, 4.5" PUNCHLOK            |
| 4           | 1          | 8030844       | COUPLING, 4" ALUM CAMLOCK M X F |

# Tools

# Wash Wand

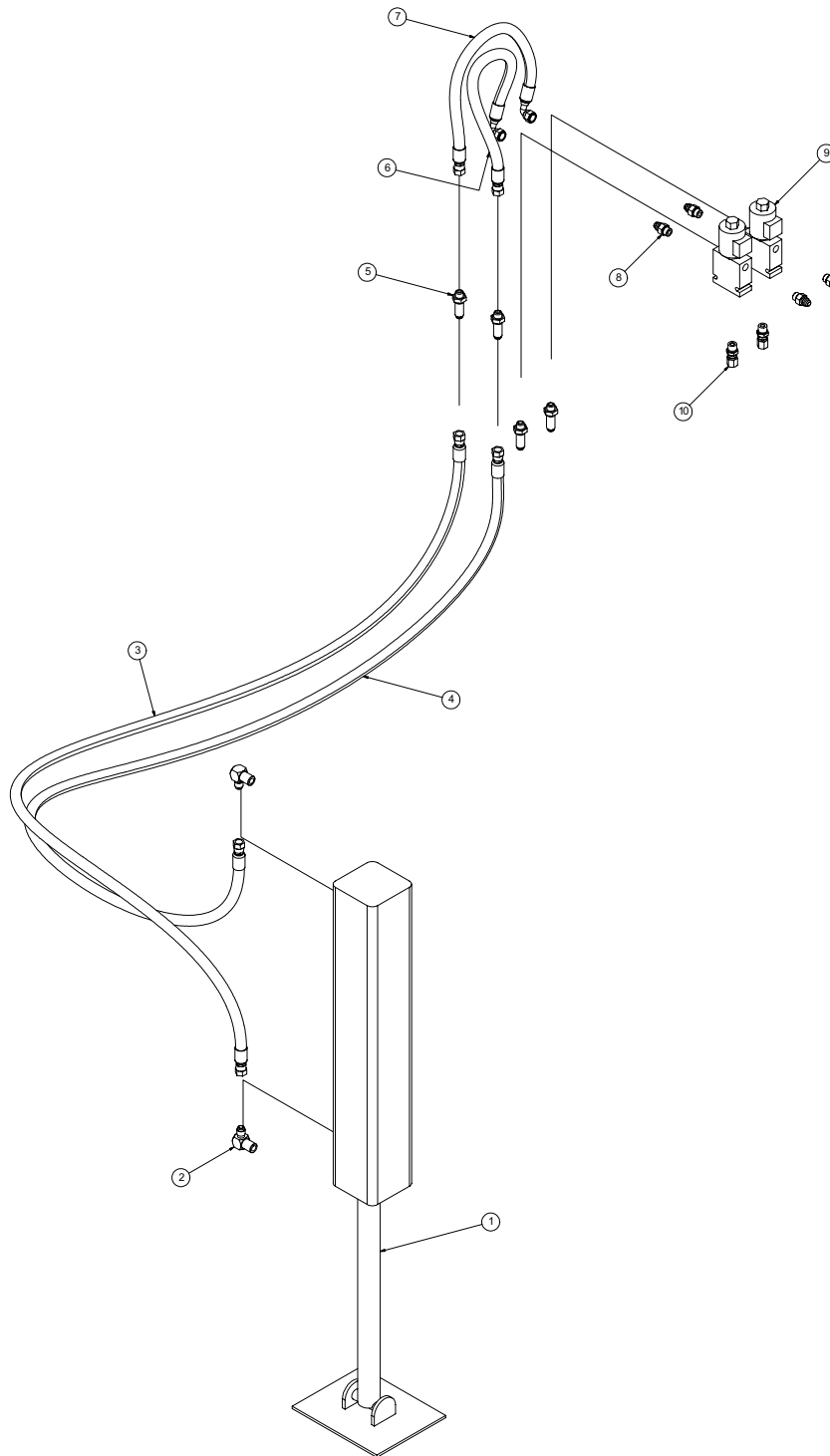


# Tools

# Wash Wand

| <b>Item</b> | <b>Qty</b> | <b>Number</b> | <b>Description</b>           |
|-------------|------------|---------------|------------------------------|
|             | 1          | 8030348       | TOOL VAC SPRAY WAND COMPLETE |
| 1           | 1          | 8030928       | TRIGGER ASSEMBLY             |
| 2           | 1          | 8030847       | WAND                         |
| 3           | 1          | 8031308       | NOZZLE                       |

# Hydraulic Jack Option

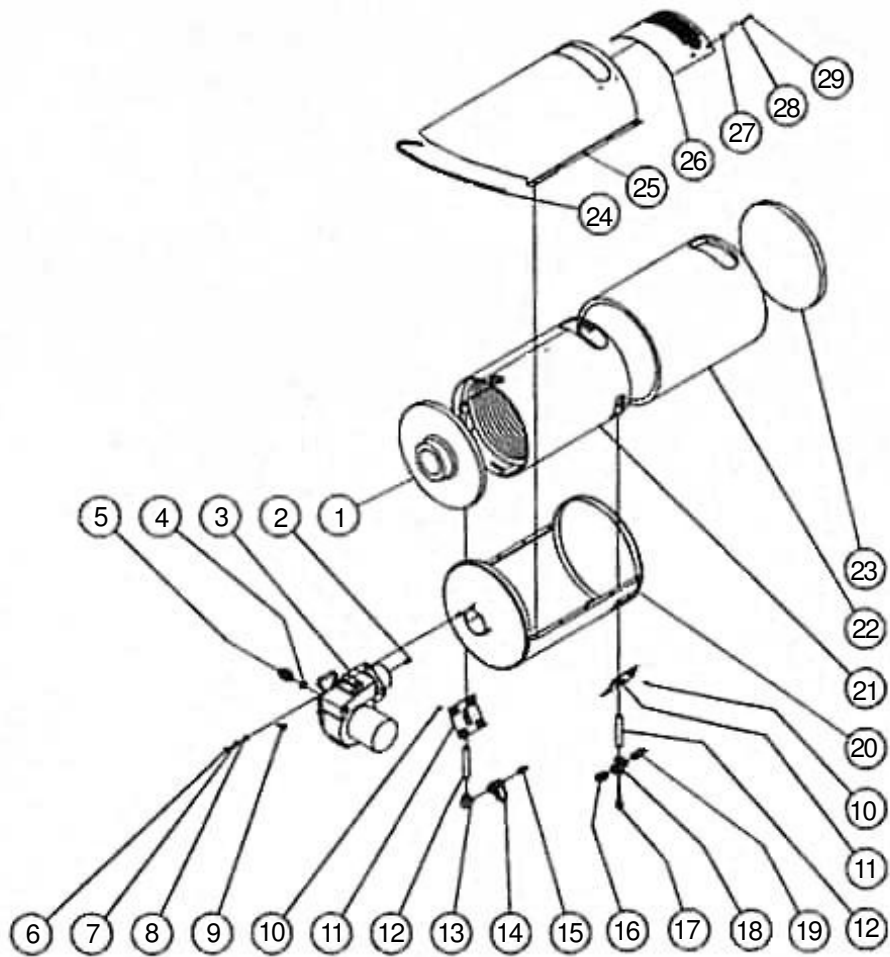


# Hydraulic Jack Option

| Item | Qty | Number  | Description               |
|------|-----|---------|---------------------------|
| 1    | 1   | 8041998 | HYDRAULIC JACK CYLINDER   |
| 2    | 2   | T400135 | REDUCER 1/2"MB - 3/8"MJ   |
| 3    | 1   | 8042661 | HOSE ASSY VAC 6-66 ST-90  |
| 4    | 1   | 8041442 | HOSE ASSY VAC 6-60 ST-90  |
| 5    | 2   | T400391 | BULKHEAD, 3/8"MJ - 3/8"MJ |
| 6    | 2   | 8040973 | HOSE ASSY VAC 6-20 ST-90  |
| 7    | 4   | T400037 | UNION, 3/8"MB - 3/8"MJ    |
| 8    | 2   | 8041788 | SOLENOID VALVE            |
| 9    | 2   | 8030512 | UNION, 3/8"MB - 3/8"FJ    |
| *    | 1   | 8041077 | JACK SWITCH               |
| *    | 1   | 8040185 | RELAY                     |
| *    | 1   | 8040184 | RELAY SOCKET              |
| *    | 2   | 8031292 | DIODE                     |

\* NOT SHOWN

# Hot Box Assembly Option



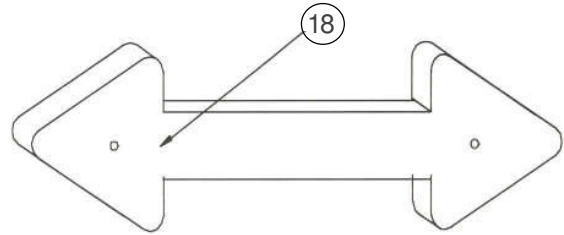
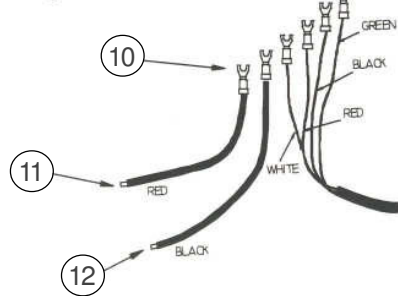
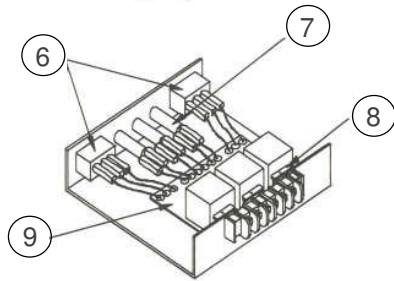
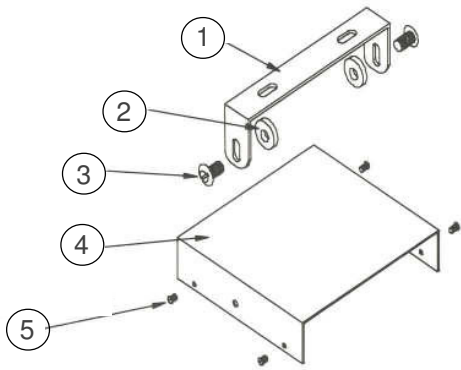
# Hot Box Assembly Option

| ITEM | QTY | NUMBER     | DESCRIPTION                        |
|------|-----|------------|------------------------------------|
| 1    | 1   | 8040088-01 | INSULATION DRUM HEAD               |
| 2    | 1   | 8040088-02 | NOZZLE-OIL                         |
| 3    | 1   | 8040088-03 | BURNER-12 VOLT                     |
| 4    | 1   | 8040088-04 | LOCKNUT 1/2-ELECTRICAL             |
| 5    | 1   | 8040088-05 | CONDIUT STRAIGHT CONNECTOR         |
| 6    | 3   | U100060    | HEX NUT 3/8-16                     |
| 7    | 3   | P130004    | LOCKWASHER 3/8                     |
| 8    | 3   | U200060    | FLATWASHER 3/8                     |
| 9    | 1   | 8040088-09 | ELBOW 1/4 M 1/4 BARB 90 BRASS      |
| 10   | 8   | 8040088-10 | SCREW SELF DRILL #10 X 1/2         |
| 11   | 2   | 8040088-11 | PATCH PLATE                        |
| 12   | 2   | 8040088-12 | PIPE NIPPLE 1/2 NPT X 5 1/2 LONG   |
| 13   | 1   | 8040088-13 | ELBOW 1/2 F X 3/8 M STEEL          |
| 14   | 1   | 8040088-14 | FLOW SWITCH                        |
| 15   | 1   | 8040088-15 | QC PLUG 3/8 M X 3/8 PLUG SS        |
| 16   | 1   | 8040088-16 | QC SOCKET 1/2 M X 3/8 SOCKET BRASS |
| 17   | 1   | 8040088-17 | ADJUSTABLE THERMOSTAT 86-194F      |
| 18   | 1   | 8040088-18 | CROSS 1/2 NPT STL                  |
| 19   | 1   | 8040088-19 | PRESSURE RELIEF VALVE 4500 PSI     |
| 20   | 1   | 8040088-20 | BOTTOM WRAP ASSEMBLY               |
| 21   | 1   | 8040088-21 | COIL ASSEMBLY                      |
| 22   | 1   | 8040088-22 | INSULATION BLANKET                 |
| 23   | 1   | 8040088-23 | INSULATION DISC                    |
| 24   | 1   | 8040088-24 | EDGING 3 FT REQUIRED               |
| 25   | 1   | 8040088-25 | TOP WRAP                           |
| 26   | 1   | 8040088-26 | SLOTTED EXHAUST PLATE              |
| 27   | 4   | 8040088-27 | CLIP NUT 1/4-2 DUNC                |
| 28   | 4   | 8040088-28 | WASHER ZI SAE TYPE A 3/16          |
| 29   | 4   | 8040088-29 | SCREW #10-032 X 3/4 LONG           |
| *    | 4   | 8040088-30 | STRAIN RELIEF                      |
| *    | 1   | 8040088-31 | TERMINAL 10GA 1/4 FLAG FEMALE      |
| *    | 20  | 8040088-32 | WIRE #10 AWG BLK                   |
| *    | 1   | 8040088-33 | ELECTRIC BOX ASSEMBLY              |
| *    | 21  | 8040088-34 | RELAY CONTROL                      |
| *    | 1   | 8040088-35 | WIRE 10GA RED                      |
| *    | 1   | 8040088-36 | ROCKER SWITCH 15AMP 24 VOLT        |

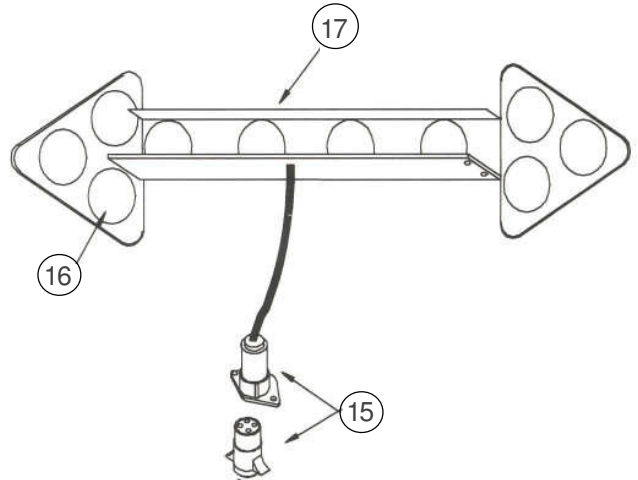
\* ITEM NOT SHOWN

# Arrow Board Option

ARROW BOARD & DUST COVER  
NOT DRAWN TO SCALE



NOTE: MOUNTING BRACKETS MUST BE  
ATTACHED TO ARROW BOARD BEFORE  
DUST COVER IS REPLACED

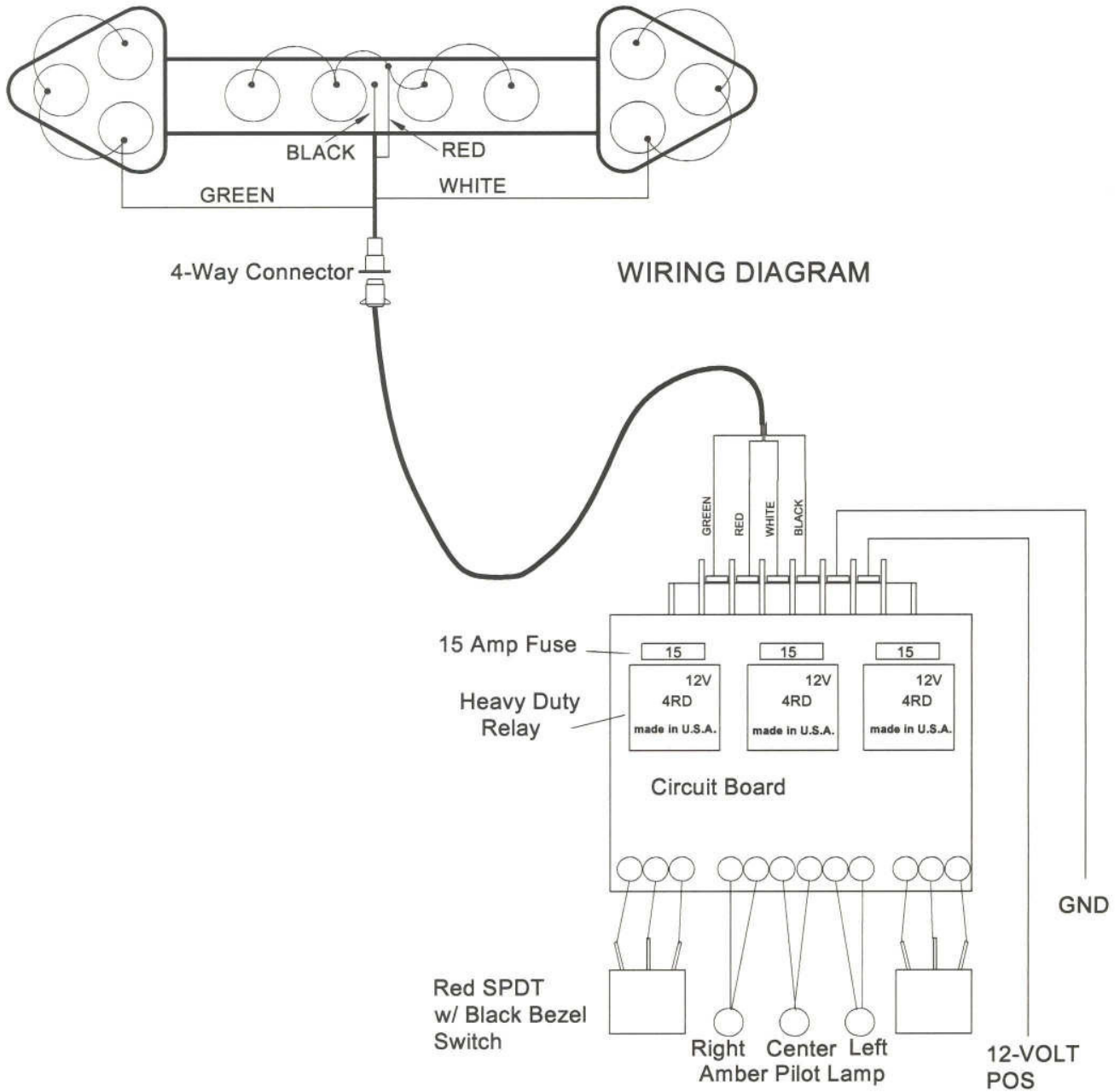




# Arrow Board Option

| <b>ITEM</b> | <b>QTY</b> | <b>NUMBER</b> | <b>DESCRIPTION</b>      |
|-------------|------------|---------------|-------------------------|
| 1           | 1          | 8042197-1     | MOUNTING BAIL           |
| 2           | 2          | 8042197-2     | WASHER                  |
| 3           | 2          | 8042197-3     | BOLT                    |
| 4           | 1          | 8042197-4     | COVER                   |
| 5           | 4          | 8042197-5     | MACHINE SCREW           |
| 6           | 2          | 8042197-6     | SPDT SWITCH             |
| 7           | 3          | 8042197-7     | RED PILOT LAMP          |
| 8           | 1          | 8042197-8     | 15 AMP FUSE             |
| 9           | 1          | 8042197-9     | CIRCUIT BOARD ASSY      |
| 10          | 2          | 8042197-10    | #6 BLUE SPADE CONNECTOR |
| 11          | 4          | 8042197-11    | RED                     |
| 12          | 4          | 8042197-12    | BLACK                   |
| 13          | 20'        | 8042197-13    | CABLE HARNESS           |
| 14          | 4          | 8042197-14    | #6 BLUE SPADE CONNECTOR |
| 15          | 1          | 8042197-15    | 4-WAY CONNECTOR         |
| 16          | 1          | 8042197-16    | STANDARD LAMP ASSY      |
| 17          | 1          | 8042197-17    | ARROW BOARD FRAME       |
| 18          | 1          | 8042197-18    | DUST COVER              |

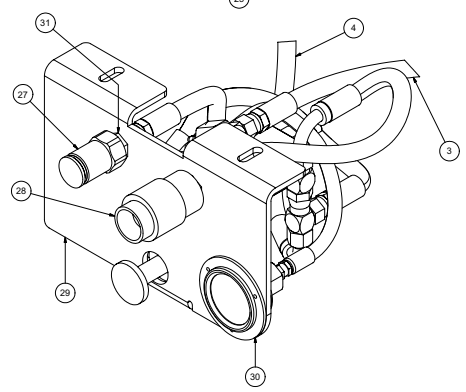
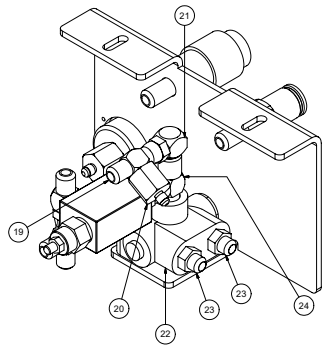
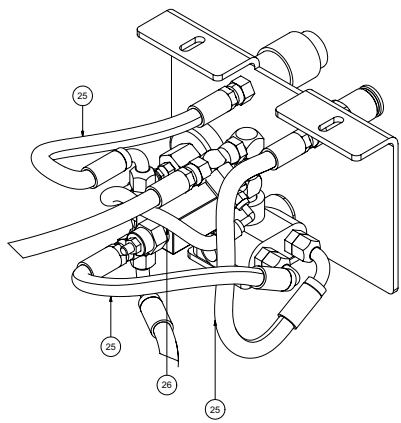
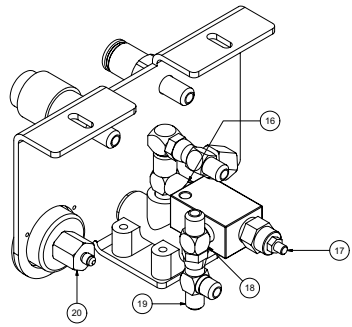
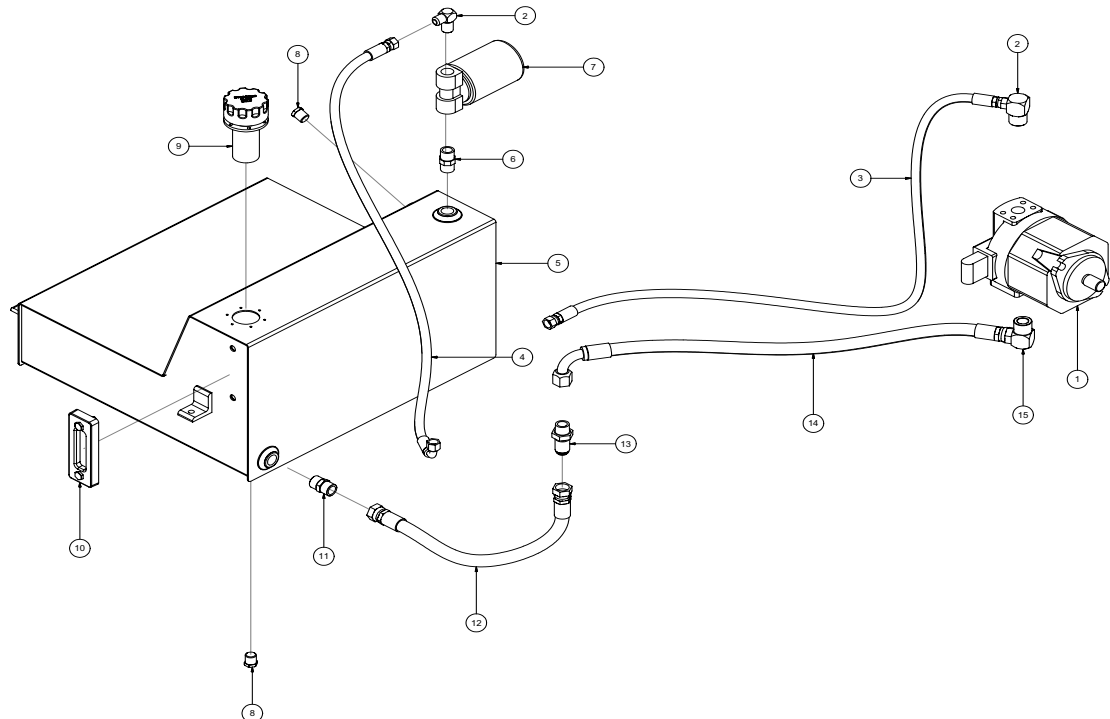
# Arrow Board Option Wiring Schematic



**PAGE LEFT BLANK**

# Auxillary Hyd Option

# 73 HP



**VACASSY955**

# Auxillary Hyd Option

# 73 HP

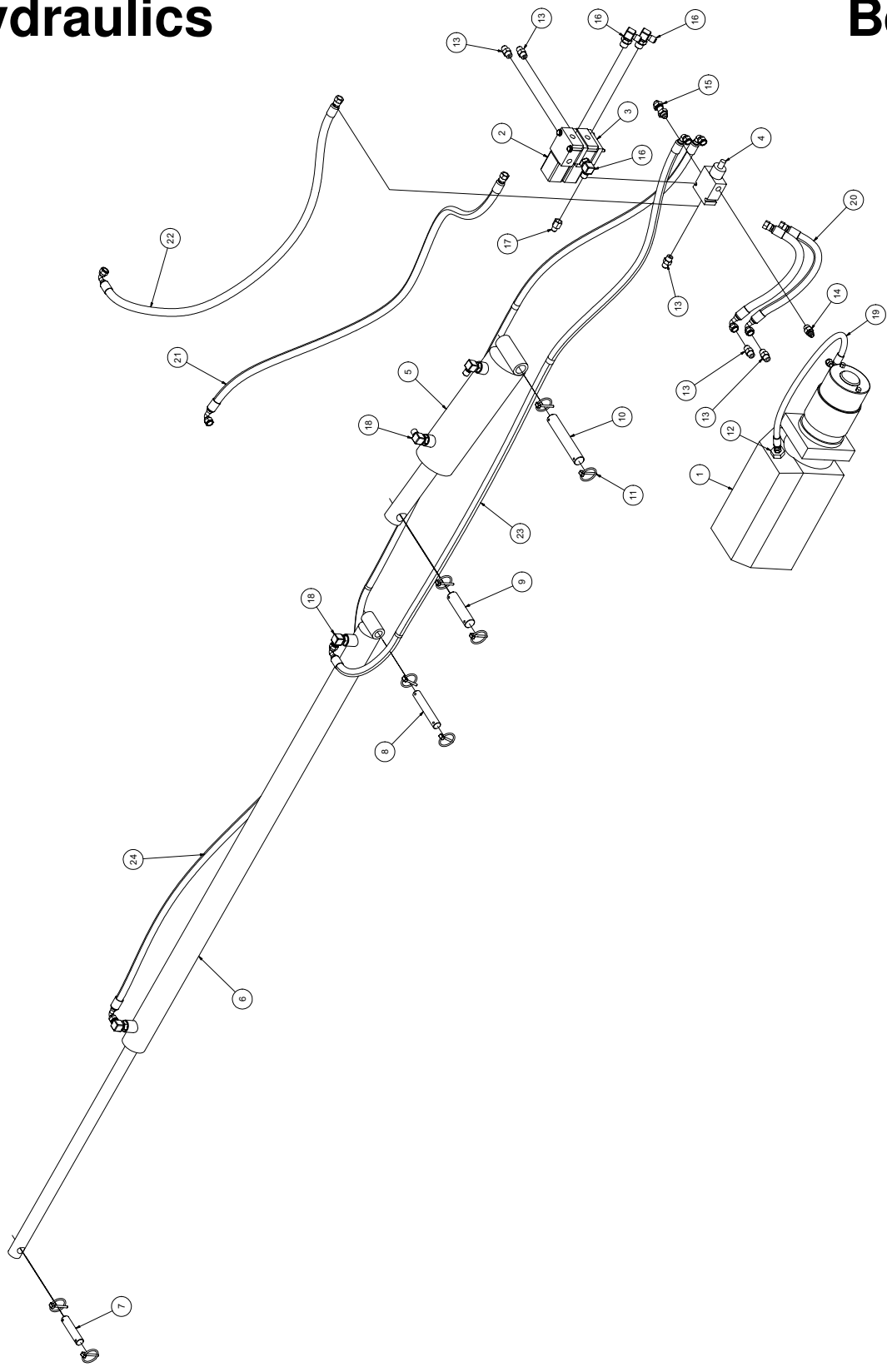
| ITEM | QTY | PART    | DESCRIPTION                   |
|------|-----|---------|-------------------------------|
| 1    | 1   | 8034167 | AUX. HYD PUMP                 |
| 2    | 2   | T401160 | ELBOW, 3/4"MP - 1/2"MJ        |
| 3    | 1   | 8041868 | HOSE ASSY VAC 8-130 ST-ST     |
| 4    | 1   | 8041869 | HOSE ASSY VAC 8-100 ST-90     |
| 5    | 1   | 8041143 | HYDRAULIC TANK                |
| 6    | 1   | T400800 | UNION, HEX 12MP - 12MP        |
| 7    | 1   | T700080 | FILTER, HYD ASSY              |
|      | 1   | T700090 | FILTER ELEMENT                |
| 8    | 2   | T405065 | PLUG, 3/4"MP                  |
| 9    | 1   | 2050068 | CAP ASSY HYD TANK             |
| 10   | 1   | T720115 | GUAGE, SIGHT, HYD OIL         |
| 11   | 1   | T400100 | UNION, 3/4"MP - 3/4"MJ        |
| 12   | 1   | 8041488 | HOSE ASSY VAC 12-30 ST-90     |
| 13   | 1   | T400386 | BULKHEAD, 3/4"MJ - 3/4"MJ     |
| 14   | 1   | 8041487 | HOSE ASSY VAC 12-12 90-90     |
| 15   | 1   | T401180 | ELBOW, 3/4"MP - 3/4"MJ        |
| 16   | 1   | T404020 | UNION, 1/2"MP - 1/2"MP        |
| 17   | 1   | 8041829 | RELIEF VALVE                  |
| 18   | 1   | T402120 | TEE, 1/2"MJ - 1/2"MP - 1/2"MJ |
| 19   | 2   | T402155 | TEE, 1/2"FJ - 1/2"MJ - 1/2"MJ |
| 20   | 2   | T400700 | REDUCER, 1/2"FJ - 1/4"MJ      |
| 21   | 1   | T401140 | ELBOW, 1/2"MP - 1/2"MJ        |
| 22   | 1   | T000200 | SELECTOR VALVE                |
| 23   | 2   | T400040 | UNION, 1/2"MP - 1/2"MJ        |
| 24   | 1   | T402156 | TEE, 1/2"MP - 1/2"FP - 1/2"FP |
| 25   | 3   | 8041492 | HOSE ASSY VAC 8-18 ST-90      |
| 26   | 1   | 8041494 | HOSE ASSY VAC 4-18 ST-90      |
| 27   | 1   | 8030662 | Q.D. MALE DRIPLESS 1/2"       |
| 28   | 1   | 8030663 | Q.D. FEMALE DRIPLESS 1/2"     |
| 29   | 1   | 8041149 | AUX HYD CONSOLE - MTG PLATE   |
| 30   | 1   | HM00092 | PRESSURE GUAGE                |
| 31   | 2   | T400396 | BULKHEAD, 1/2"MP - 1/2"MJ     |
| *    | 1   | J200002 | DECAL SHEET                   |

\* NOT SHOWN

VACASSY955

# Hydraulics

# Boom



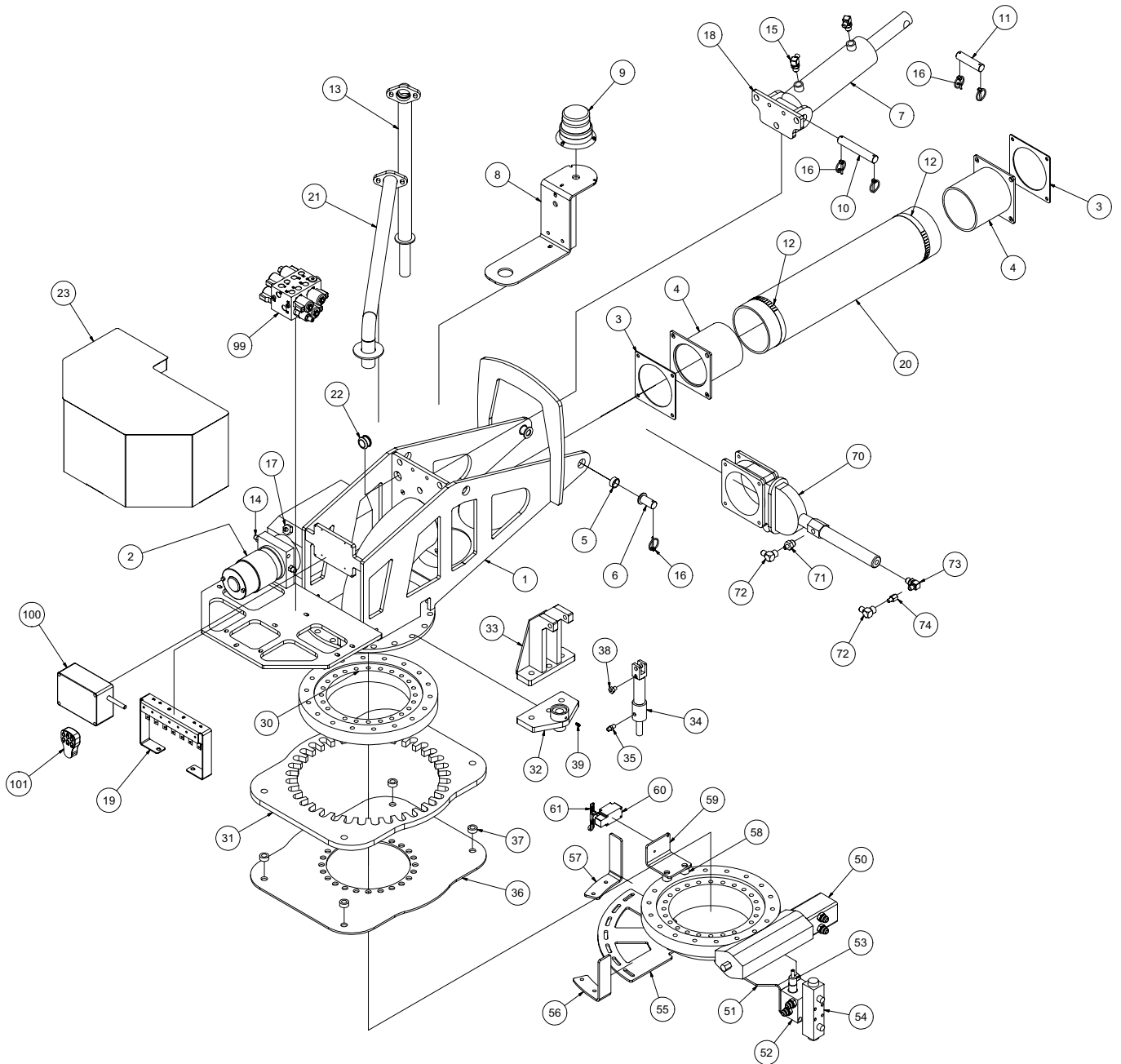
# Hydraulics

# Boom

| ITEM | QTY | NUMBER  | DESCRIPTION                    |
|------|-----|---------|--------------------------------|
| 1    | 1   | 8041601 | HYDRAULIC POWER PACK 12V-6QT   |
| 2    | 2   | 8041884 | SOLENOID VALVE                 |
| 3    | 2   | 8042125 | SOLENOID VALVE SPACER          |
| 4    | 1   | 4810712 | RELIEF VALVE                   |
| 5    | 1   | 8041925 | CYLINDER RAISE-LOWER           |
| 6    | 1   | 8041926 | CYLINDER EXTEND-RETRACT        |
| 7    | 1   | 8042350 | ROD PIN (EXTENSION CYLINDER)   |
| 8    | 1   | 8042122 | BASE PIN (EXTENSION CYLINDER)  |
| 9    | 1   | 8041990 | ROD PIN (PIVOT CYLINDER)       |
| 10   | 1   | 8041977 | BASE PIN (PIVOT CYLINDER)      |
| 11   | 8   | U340050 | LINCH PIN 3/16 X 1-9/16        |
| 12   | 1   | T403018 | REDUCER 12MP 4MJ               |
| 13   | 5   | T400037 | UNION 6MB 6MJ                  |
| 14   | 1   | T400550 | UNION 6MB 4MJ                  |
| 15   | 1   | T400038 | UNION 6MB 6MB                  |
| 16   | 3   | T401250 | ELBOW 90 6MB 6MJ               |
| 17   | 1   | 8042267 | ORIFICE 6MJ 6FJ .094"          |
| 18   | 4   | T401270 | ELBOW 90 8MB 6MJ               |
| 19   | 1   | 8042439 | HOSE ASSY VAC 4-12 ST-90       |
| 20   | 2   | 8042427 | HOSE ASSY VAC 6-12 ST-90       |
| 21   | 1   | 8042205 | HOSE ASSY VAC 6-47 ST-45       |
| 22   | 1   | 8042206 | HOSE ASSY VAC 6-52 ST-45       |
| 23   | 1   | 8042204 | HOSE ASSY VAC 6-63 90-90 OPP   |
| 24   | 1   | 8042199 | HOSE ASSY VAC 6-106 90-90 SAME |

# Turret

# Boom



041608

VACASSY980  
VACASSY981  
VACASSY982  
VACASSY983



# Turret

# Boom

## VACASSY 980 TURRET ASSEMBLY

| ITEM | QTY | PART NO. | DESCRIPTION                        |
|------|-----|----------|------------------------------------|
| 1    | 1   | 8042240  | BOOM - TURRET WELDMENT             |
| 2    | 1   | 8041601  | PUMP HYD 12V 6QT                   |
| 3    | 2   | 8041988  | BOOM - FLANGE GASKET               |
| 4    | 2   | 8041958  | BOOM - FLEX HOSE ADAPTER WELDMENT  |
| 5    | 2   | 8042101  | BUSHING BRONZE 1.25"X1.00"X0.50"LG |
| 6    | 2   | 8042124  | BOOM - TURRET PIVOT PIN            |
| 7    | 1   | 8030359  | HYDRAULIC CYLINDER                 |
| 8    | 1   | 8041932  | BOOM - TURRET STROBE LIGHT PLATE   |
| 9    | 1   | 8030347  | STROBE LIGHT                       |
| 10   | 1   | 8041977  | BOOM - PIVOT CYLINDER BASE PIN     |
| 11   | 1   | 8041990  | BOOM - PIVOT CYLINDER ROD PIN      |
| 12   | 2   | 8042104  | HOSE CLAMP - 6 IN T-BOLT           |
| 13   | 1   | 8042108  | BOOM CABLE TUBE WELDMENT           |
| 14   | 2   | T400037  | UNION 6MB-6MJ                      |
| 15   | 2   | T401270  | ELBOW, 90 1/2"MB-3/8"MJ            |
| 16   | 6   | U340050  | PIN LINCH 3/16 X 1-9/16            |
| 17   | 1   | T403018  | REDUCER 12MP 4MJ                   |
| 18   | 1   | 8042887  | ADJUSTABLE CLEVIS - BOOM           |
| 19   | 1   | 8043639  | BRACKET BOOM ELECTRONICS           |
| 20   | 1   | 8043678  | HOSE AG SUCTION 6-30               |
| 21   | 1   | 8043245  | BOOM CABLE TUBE WELDMENT           |
| 22   | 2   | 8041686  | GROMMET 1"ID- 1 1/4"DOG-1/4"WO     |
| 23   | 1   | 8043090  | BOOM GUARD                         |
| 99   | 1   | 8043674  | BOOM MANIFOLD                      |
| *    | 4   | X000320  | DIODE                              |
| *    | 1   | 8040185  | RELAY                              |
| *    | 1   | X200005  | ENGINE WIRING HARNESS              |
| *    | 4   | 8043584  | 3-WAY VALVE                        |

## VACASSY 981 MANUAL ROTATION ASSEMBLY

| ITEM | QTY | PART NO. | DESCRIPTION                      |
|------|-----|----------|----------------------------------|
| 30   | 1   | 8042234  | BOOM SWIVEL BEARING - INNER RING |
| 31   | 1   | 8042779  | BOOM MOUNT BRAKE RING            |
| 32   | 1   | 8042967  | BOOM HYD BRAKE BOTTOM WELDMENT   |
| 33   | 1   | 8042968  | BOOM HYD BRAKE TOP WELDMENT      |
| 34   | 1   | 8043052  | BRAKE CYLINDER                   |
| 35   | 1   | T400116  | REDUCER 4MP 6MJ                  |
| 36   | 1   | 8043021  | BOOM - LOWER STOP DISC           |
| 37   | 4   | 8030315  | SKID - WATER TANK CLEVIS TUBE    |
| 38   | 1   | T400801  | PLUG BREATHER 1/4" NPT           |
| 39   | 1   | T500080  | FITTING, GREASE 3/16"            |
| 99   | 1   | 8043674  | BOOM MANIFOLD                    |
| *    | 1   | X000320  | DIODE                            |
| *    | 2   | 8043690  | TIME RELAY 2-SEC N/C             |
| *    | 1   | 8043585  | 2-WAY VALVE N/O                  |
| *    | 1   | 8043586  | CHECK VALVE                      |
| *    | 1   | 8042302  | PRESSURE SWITCH 1000 PSI, N/C    |

## VACASSY 982 HYDRAULIC ROTATION ASSEMBLY

| ITEM | QTY | PART NO. | DESCRIPTION                        |
|------|-----|----------|------------------------------------|
| 50   | 1   | 8042231  | Boom Swivel Bearing - Inner Ring   |
| 51   | 1   | 8042344  | TANK - BOOM HYD MANIFOLD MTG PLATE |
| 52   | 1   | 8041974  | VALVE MANIFOLD BOOM HYD ROT        |
| 53   | 1   | 8041973  | VALVE RELIEF BOOM HYD ROT          |
| 54   | 1   | 8041971  | VALVE DIRECTINAL BOOM HYD ROT      |
| 55   | 1   | 8042351  | BOOM - ROTATION STOP BASE PLATE    |
| 56   | 1   | 8042359  | BOOM - ROTATION STOP BRACKET OPP   |
| 57   | 1   | 8042357  | BOOM - ROTATION STOP BRACKET       |
| 58   | 2   | 8042376  | BOOM - LIMIT SWITCH BRACKET SPACER |
| 59   | 1   | 8042360  | BOOM - LIMIT SWITCH BRACKET        |
| 60   | 1   | 8042431  | LIMIT SWITCH (LEVER NOT INCLUDED)  |
| 61   | 1   | 8042432  | LIMIT SWITCH ADJ LOWER             |

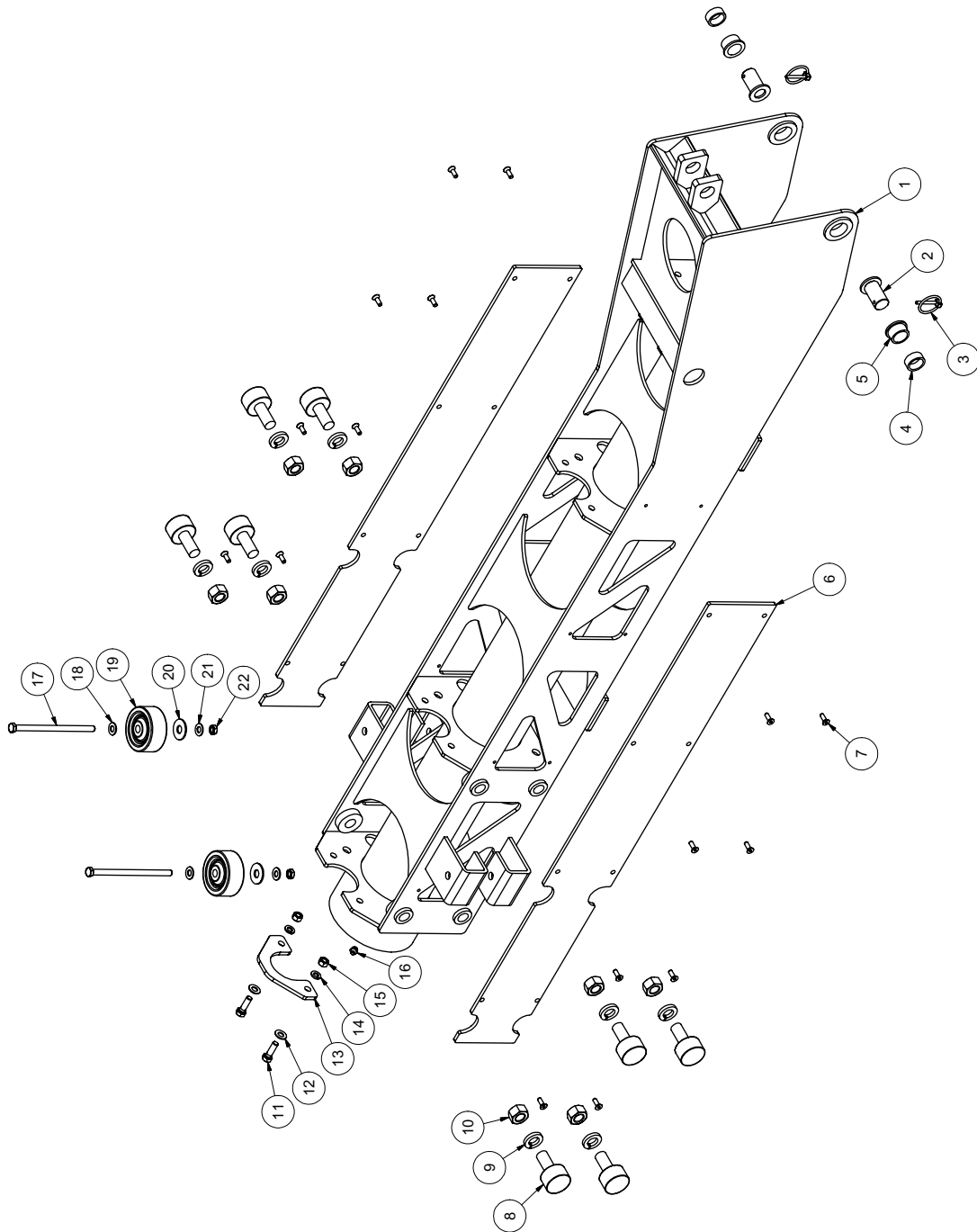
## VACASSY 983 REV FLOW

| ITEM | QTY | PART NO. | DESCRIPTION                                      |
|------|-----|----------|--|
| 70   | 1   | 8043577  | GATE VALVE - 6" W/ HYD CYL DBL ACT               |
| 71   | 1   | T400034  | Reducer M18 Male - 6MJ                           |
| 72   | 2   | T401228  | ELBOW, 3/8 MJ - 3/8 FJ                           |
| 73   | 1   | T401221  | ELBOW 90 M18 Male - 8MJ                          |
| 74   | 1   | T400705  | REDUCER 8FJ-6MJ                                  |
| 99   | 1   | 8043674  | BOOM MANIFOLD                                    |
| *    | 2   | 8043584  | 3-WAY SOLENOID                                   |
| *    | 2   | X000320  | DIODE  |
| 100  | 1   | 8041914  | BOOM - RC RECEIVER 6-RELAY                       |
| *    |     | 8042427  | BOOM - RC RECEIVER 8-RELAY                       |
| 101  | 1   | 8042426  | RC TRANSMITTER 6 BUTTON<br>(W/ GRAPHIC OVERLAYS) |
| *    |     | 8042428  | RC TRANSMITTER 8 BUTTON<br>(W/ GRAPHIC OVERLAYS) |

\* NOT SHOWN

# Pivot Arm

# Boom



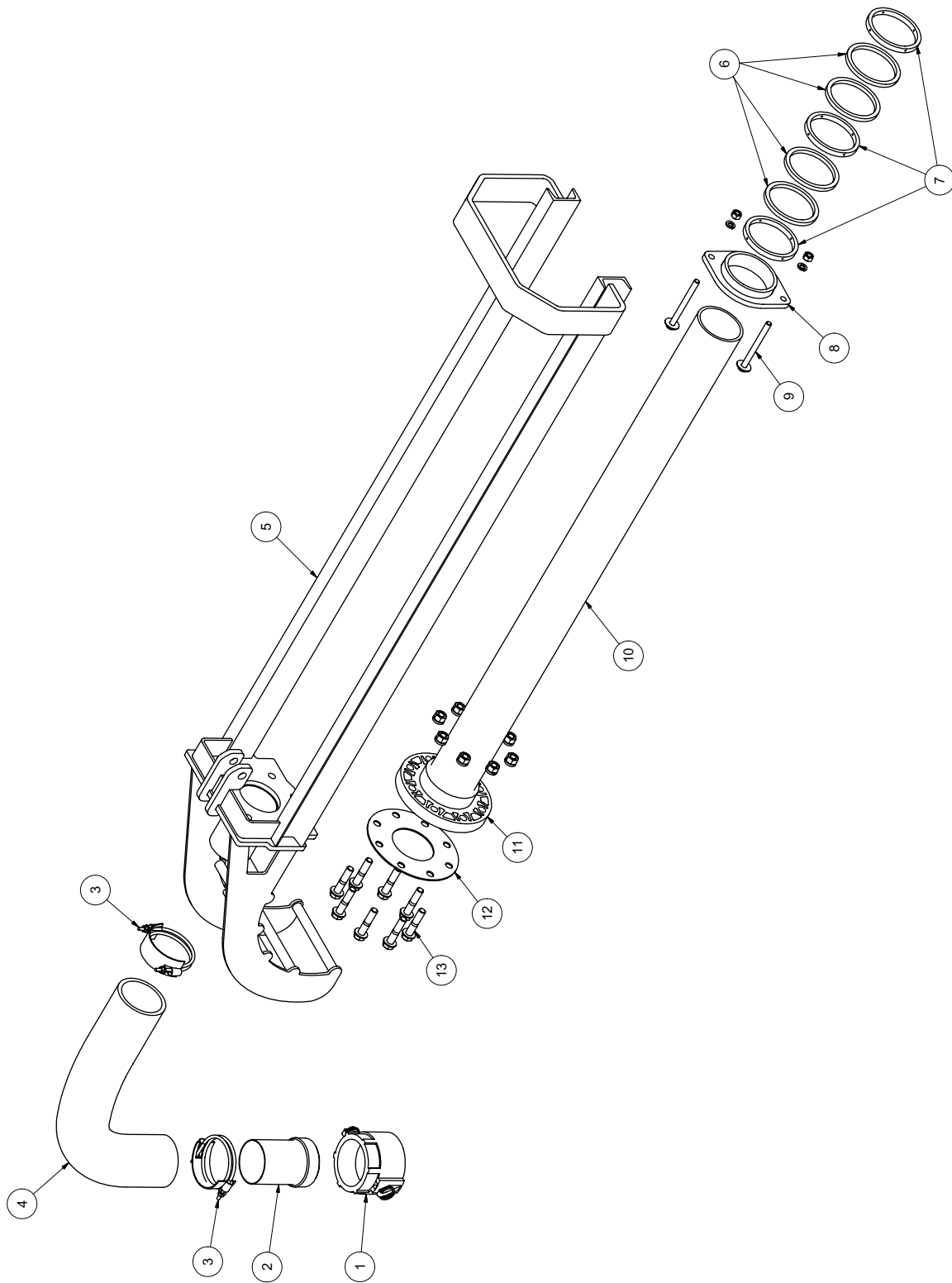
# Pivot Arm

# Boom

| ITEM | QTY | NUMBER  | DESCRIPTION                          |
|------|-----|---------|--------------------------------------|
| 1    | 1   | 8041950 | PIVOT ARM                            |
| 2    | 2   | 8042124 | PIN                                  |
| 3    | 10  | U340050 | PIN LINCH 3/16 X 1-9/16              |
| 4    | 2   | 8042101 | BUSHING BRONZE 1.25"X1.00"X0.50" PLN |
| 5    | 2   | 8041883 | BUSHING BRONZE 1.25"X1.00"X0.63" FLG |
| 6    | 2   | 8041986 | GLIDE SHEET                          |
| 7    | 16  | U030015 | SCREW SFH 1/4-20 X .750              |
| 8    | 8   | W000050 | ROLLER                               |
| 9    | 8   | U210160 | WASHER LOCK 3/4"                     |
| 10   | 8   | U100200 | NUT HEX 3/4"-10                      |
| 11   | 12  | U000440 | SCREW HC 3/8-16 X 1.25               |
| 12   | 2   | U200600 | WASHER FLAT 3/8"                     |
| 13   | 1   | 8041956 | CYLINDER RETAINER                    |
| 14   | 2   | U210060 | WASHER LOCK 3/8"                     |
| 15   | 2   | U100060 | NUT HEX 3/8-16                       |
| 16   | 1   | T500100 | GREASE FITTING                       |
| 17   | 2   | U000635 | SCREW HC .375-16X6.50                |
| 18   | 2   | U200600 | WASHER FLAT 3/8"                     |
| 19   | 2   | 8030226 | WHEEL                                |
| 20   | 2   | U200100 | WASHER FLAT 1/2"                     |
| 21   | 2   | U200600 | WASHER FLAT 3/8"                     |
| 22   | 2   | U120110 | NUT LOCK 3/8-16                      |

# Extension Arm

# Boom



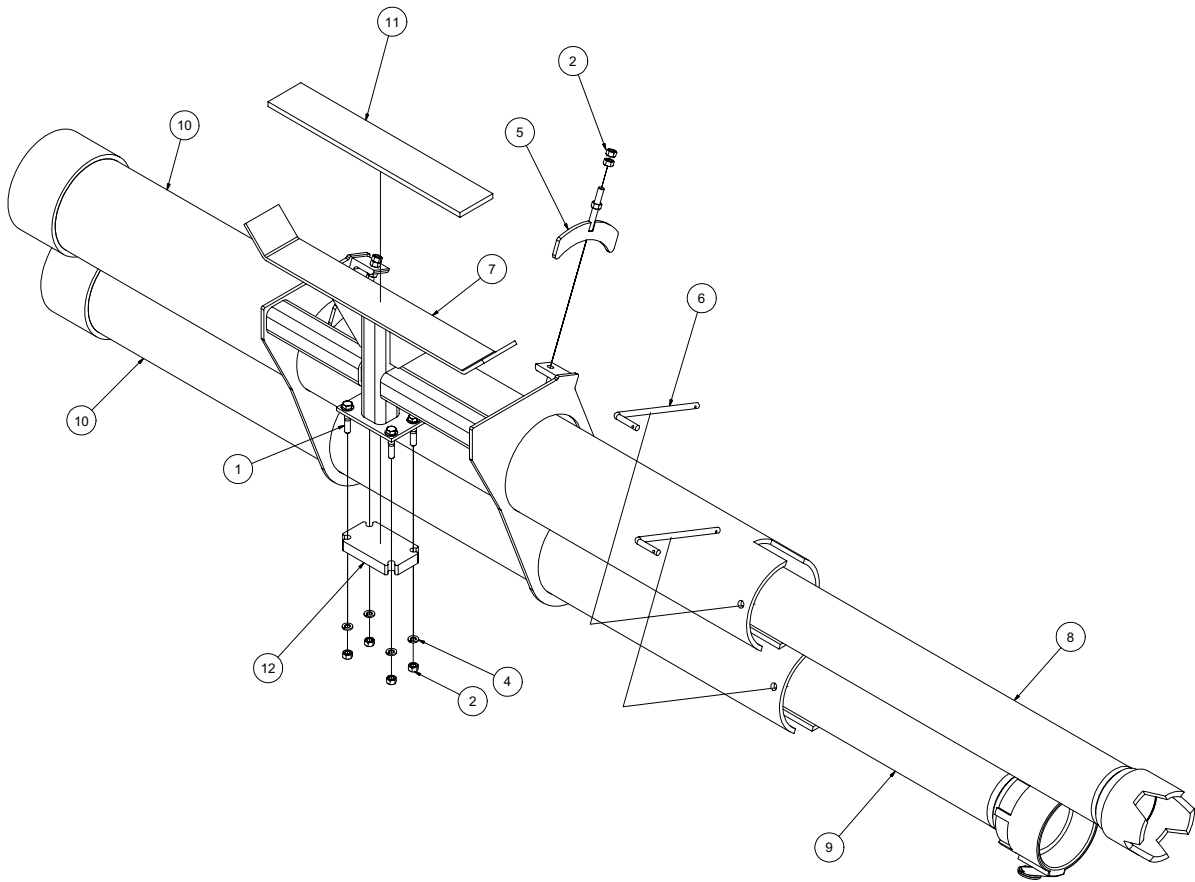
# Extension Arm

# Boom

| ITEM | QTY | NUMBER  | DESCRIPTION            |
|------|-----|---------|------------------------|
| 1    | 1   | 8030846 | 4" FEMALE COUPLER      |
| 2    | 1   | 8030560 | 4" HOSE ADAPTER        |
| 3    | 2   | 8041752 | SPIRAL CLAMP 4" HOSE   |
| 4    | 1   | 8042079 | INLET HOSE             |
| 5    | 1   | 8041960 | EXTENSIONARM           |
| 6    | 4   | 8041947 | PACKING RING           |
| 7    | 3   | 8041945 | PLASTIC SLEEVE         |
| 8    | 1   | 8041963 | PACKING GLAND          |
| 9    | 2   | U001020 | SCREW HC 1/2-13 X 5.50 |
|      | 2   | U200100 | WASHER FLAT 1/2"       |
|      | 2   | U210100 | WASHER LOCK 1/2"       |
|      | 2   | U100120 | NUT HEX 1/2-13         |
| 10   | 1   | 8042160 | 4" PVC TUBE X 60" LONG |
| 11   | 1   | 8041937 | 4" PVC FLANGE          |
| 12   | 2   | 8041938 | GASKET                 |
| 13   | 8   | U001250 | SCREW HC 5/8-11 X 3.00 |
|      | 8   | U200140 | WASHER FLAT 5/8"       |
|      | 8   | U210140 | WASHER LOCK 5/8"       |
|      | 8   | U100180 | NUT HEX 5/8-11         |

# Cradle and Hose Storage

# Boom



# Cradle and Hose Storage

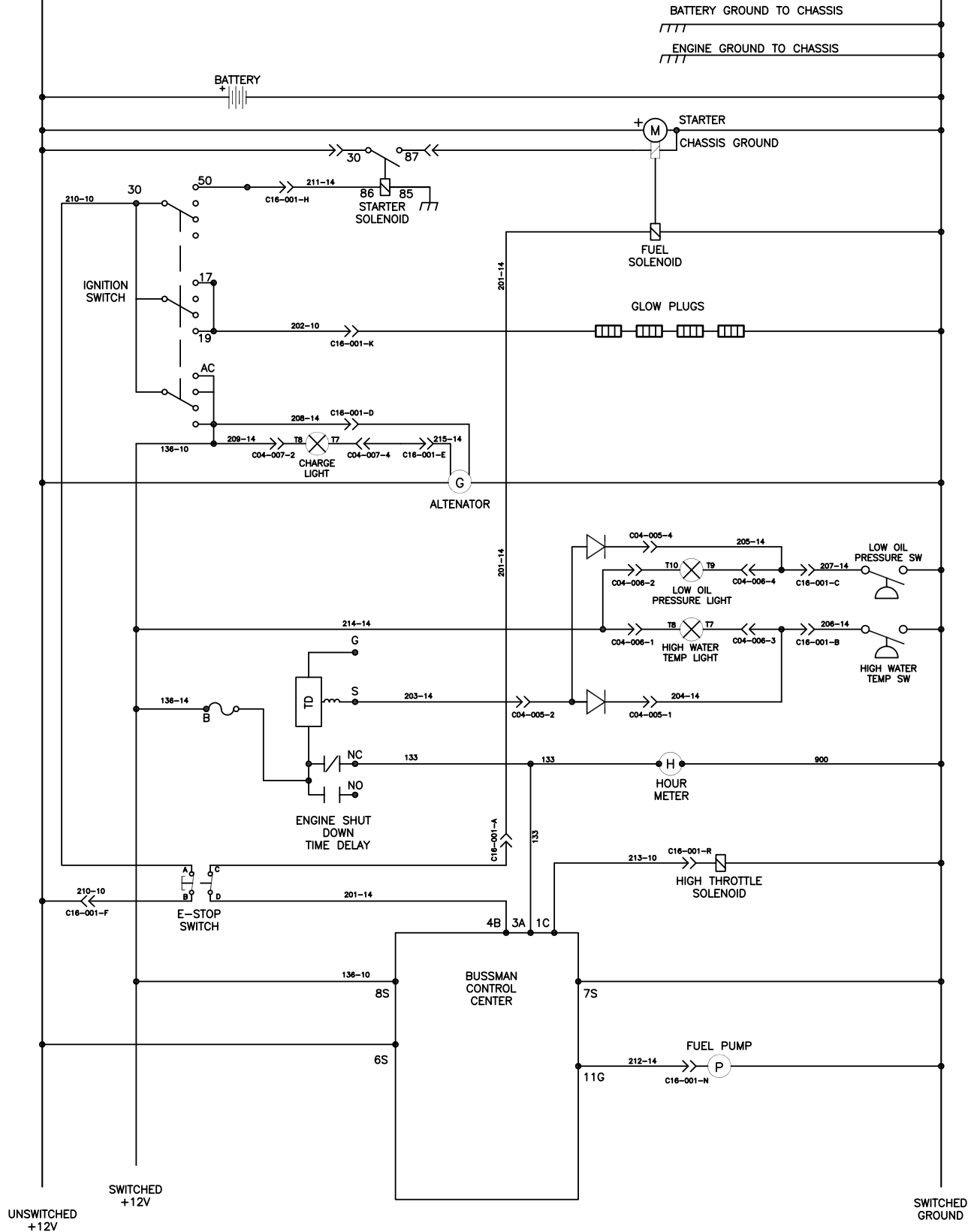
# Boom

| ITEM | QTY | NUMBER  | DESCRIPTION                          |
|------|-----|---------|--------------------------------------|
| 1    | 4   | U005000 | SCREW 3/8-16 X 2.00                  |
| 2    | 16  | U100060 | NUT HEX 3/8-16                       |
| 3    | 4   | U200600 | WASHER FLAT 3/8"                     |
| 4    | 4   | U210060 | WASHER LOCK 3/8"                     |
| 5    | 4   | 8040959 | HOSE STORAGE CLAMP                   |
| 6    | 2   | 8041101 | HOSE STORAGE RETAINER PIN            |
|      | 2   | R700160 | R CLIP                               |
|      | 2   | 8041485 | LANYARD CABLE                        |
| 7    | 1   | 8042009 | BOOM CRADLE                          |
| 8    | 1   | 8042137 | BOOM HOSE EXTENSION (5FT)            |
| 9    | 1   | 8042138 | BOOM HOSE EXTENSION WITH CROWN (5FT) |
| 10   | 2   | 8042249 | HOSE STORAGE TUBE                    |
| 11   | 1   | 8042358 | BOOM CRADLE RUBBER PAD               |
| 12   | 1   | 8042378 | BOOM CRADLE SPACER                   |

# VACUUM DIESEL ENGINE SCHEMATIC

UNSWITCHED  
+12V

SWITCHED  
GROUND

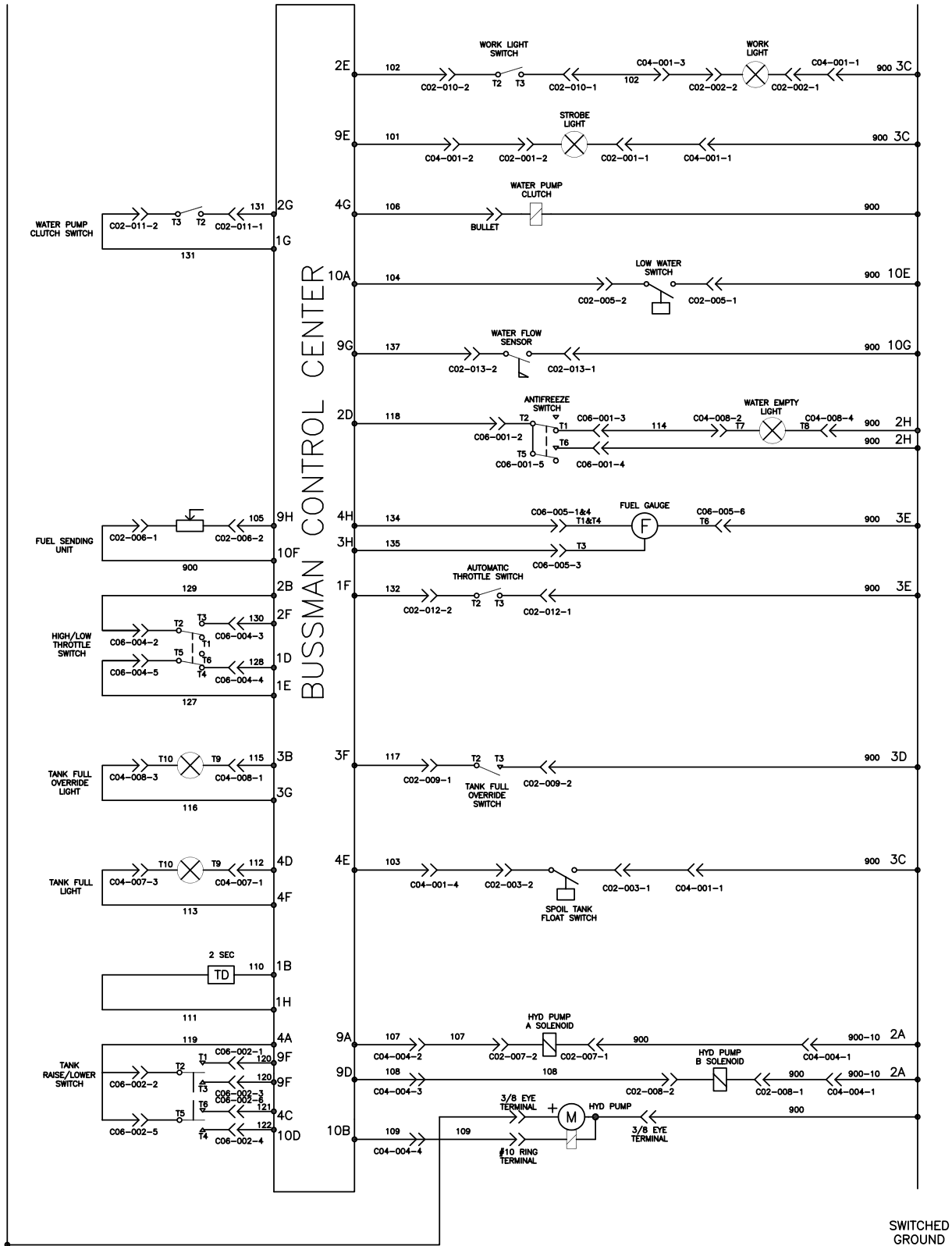


UNSWITCHED  
+12V

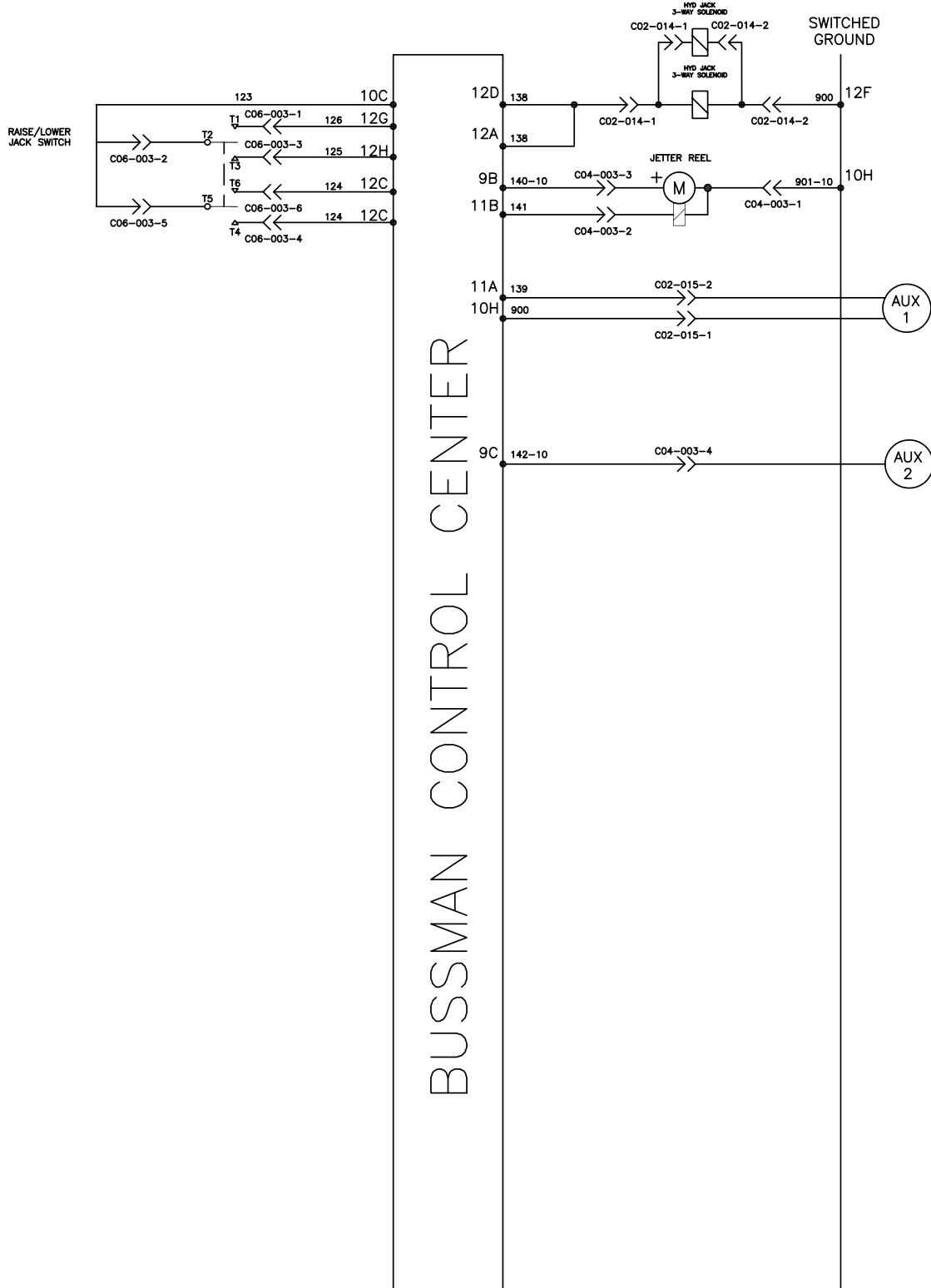
SWITCHED  
GROUND



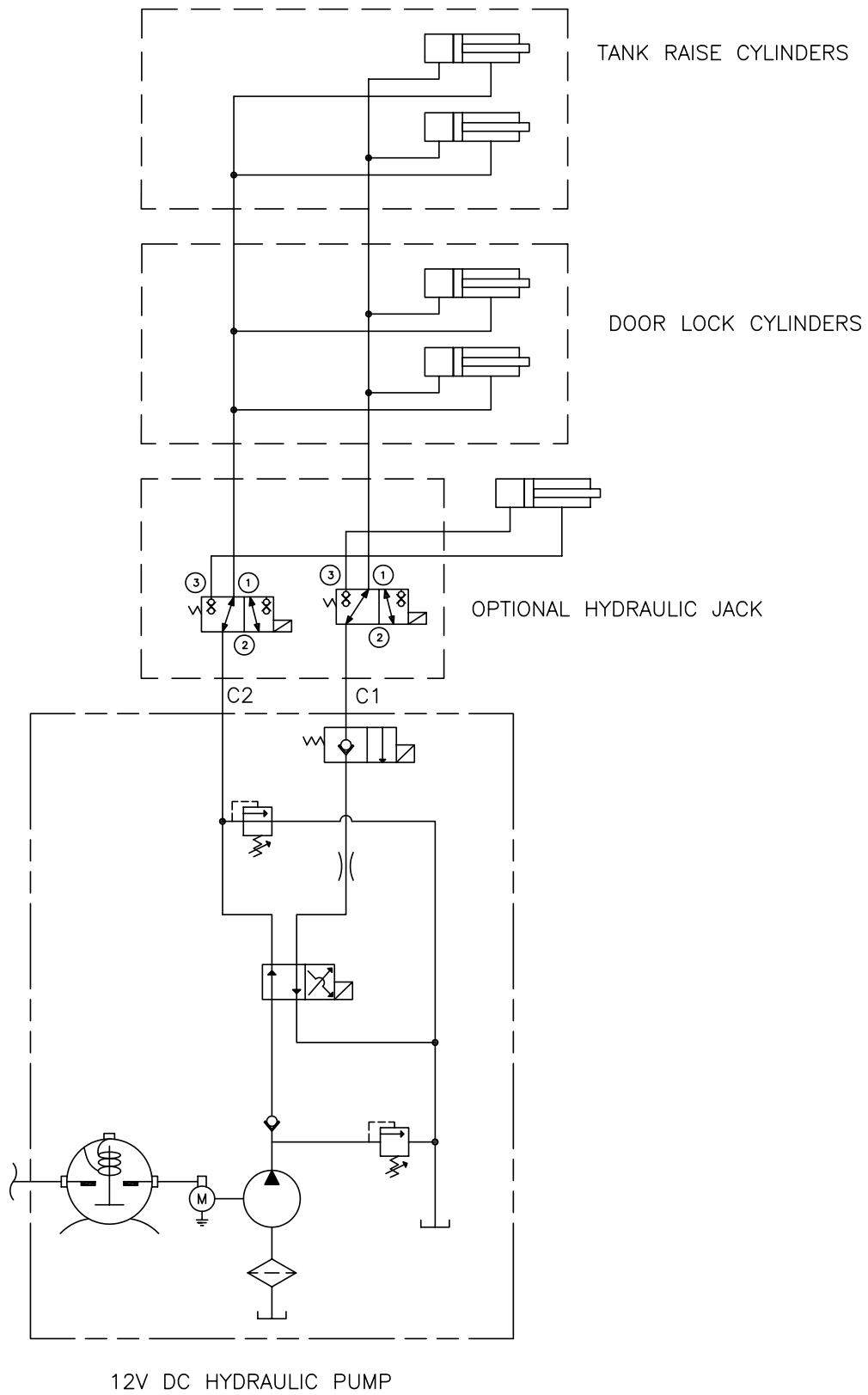
# BUSSMAN CONTROL CENTER STANDARD DIESEL



# BUSSMAN CONTROL CENTER OPTIONS



# HYDRAULIC OPTION SCHEMATICS



**PAGE LEFT BLANK**

# WARRANTY RETURN GOODS POLICY

## LIMITED WARRANTY

The Manufacturer warrants its products to be free from defects in material and workmanship for a period of twelve months from the date of shipment from the factory. The Manufacturer shall not be responsible for any damage resulting to or caused by its products by reason of installation, improper storage, unauthorized service, alteration of the products, neglect or abuse, or use of the product in a manner inconsistent with its design. The warranty does not extend to any component parts not manufactured by Manufacturer; however, Manufacturer's warranty herein shall not limit any warranties made by manufacturers of component parts which extend to Buyer.

Claims for defects in material and workmanship shall be made in writing to Manufacturer within ten days of discovery of defect. Manufacturer may either send a service representative or have the product returned to its factory at Buyer's expense for inspection. Upon notification of defect, Manufacturer will issue a return goods authorization number to Buyer. The return goods authorization number must accompany the product returned. If judged by the Manufacturer to be defective in material or workmanship, the product will be replaced or repaired at the option of the Manufacturer, free from all charges except authorized transportation. Buyer shall be responsible for all maintenance services consisting of lubrication and cleaning of equipment, replacing expandable parts, making minor adjustments, and performing operating checks, all in accordance with procedures outlined in Manufacturer's maintenance literature.

THE FOREGOING WARRANTY IS IN LIEU OF ALL OTHER WARRANTIES AND NO REPRESENTATIONS, GUARANTEES, OR WARRANTIES, EXPRESS OR IMPLIED, (INCLUDING BUT NOT LIMITED TO A WARRANTY OF MERCHANTABILITY OR FITNESS FOR A PARTICULAR PURPOSE), ARE MADE BY THE MANUFACTURER IN CONNECTION WITH THE MANUFACTURE OR SALE OF ITS PRODUCTS. NO EMPLOYEE, DISTRIBUTOR, OR REPRESENTATIVE IS AUTHORIZED TO CHANGE THIS WARRANTY ON BEHALF OF MANUFACTURER. THE REMEDIES OF BUYER SET FORTH HEREIN ARE EXCLUSIVE AND ARE IN LIEU OF ALL OTHER REMEDIES. THE LIABILITY OF MANUFACTURER WHETHER IN CONTRACT, TORT, UNDER ANY WARRANTY, OR OTHERWISE SHALL NOT EXTEND BEYOND ITS OBLIGATION TO REPAIR OR REPLACE, AT ITS OPTION ANY PRODUCT OR PART FOUND BY MANUFACTURER TO BE DEFECTIVE IN MATERIAL OR WORKMANSHIP. MANUFACTURER SHALL NOT BE LIABLE FOR COST OF INSTALLATION AND/OR REMOVAL OR BE RESPONSIBLE FOR DIRECT, INDIRECT, SPECIAL OR CONSEQUENTIAL DAMAGES OF ANY NATURE.

## GENERAL RETURNS OF MERCHANDISE

1. All returns must be pre-authorized
  - A. Please call our parts department for an RGA number
  - B. Please include RGA number on the outside of box
  - C. Include any required paper work or special instructions
  - D. Items returned without an RGA number will not be accepted
2. All returns are subject to a 20% restock charge.
3. Special items are non-returnable
  - A. Non-stock parts
  - B. Custom parts
  - C. If you are unsure about a parts status when ordering, ask your McLaughlin representative if the item fits on of the above conditions.
4. Items must be returned within thirty days of original order date.
5. Items not returned within 30 days from the date of RGA is issued will not be accepted.
6. The item(s) must be in new condition. Used item(s) are not returnable.



# Notes

A large rectangular box containing 30 horizontal lines for writing notes.