



Providing Solutions Since 1921

2006 Perimeter Road. Greenville, SC 29605

Toll Free: 800/435-9340 – Phone: 864/277-5870

Fax: 864/235-9661 – Website address: www.mclaughlinunderground

Email address: mmole@mightymole.com

PARTS MANUAL

VX75-500

E850520

SERIAL NUMBER –7HWA200U8JG000101 TO PRESENT

3/7/2018

2018 by McLaughlin Group, Inc.

All rights reserved. No part of this manual may be reproduced in any form, or by any means without prior written permission of McLaughlin Group, Inc.

Table of Contents

DECAL LAYOUT	7
TRAILER	14
SKID ASSEMBLY	16
SPOIL TANK ASSEMBLY.....	18
HYDRAULIC ARM ASSEMBLY.....	20
FILTRATION ASSEMBLY	22
HYDRAULIC PUMP.....	24
HYDRAULIC PUMP 12V ASSEMBLY	26
HYDRAULIC HOSE ASSEMBLY	28
ENCLOSURE ASSEMBLY.....	30
ENCLOSURE FOAM ASSEMBLY	32
CONTROL PANEL ASSEMBLY	34
ELECTRICAL ASSEMBLY.....	36
ENGINE ASSEMBLY.....	38
BLOWER ASSEMBLY	40
WATER PUMP ASSEMBLY.....	46
WATER TANK 125GAL ASSEMBLY.....	50
VAC TOOLS.....	53
SUCTION TOOL ASSEMBLY.....	54
ROTARY LANCE ASSEMBLY.....	56
WASH WAND ASSEMBLY.....	58
ARROWBOARD ASSEMBLY.....	60
JETTER	62
AIR/WATER ASSEMBLY	69
WARRANTY	83

PAGE LEFT BLANK



⚠ DANGER

ELECTROCUTION HAZARD
 Death or serious injury will result if boom approaches or touches overhead electrical power lines.
 Keep boom away from overhead utilities.
 Use caution when operating boom.

J200403

J200403

INSTRUCTIONS

GREASE POINTS

Qty	Placement	Qty	Placement
2	TANK PIVOT	2-4	TANK LIFT CYLINDERS (Depend on Model)
2	4-WAY VALVE	1	EACH AXLE HUB (Non Oil Bath Hubs)
2	MANUAL JACK	1	VACUUM/PRESSURE SELECTOR PLATE
2	ENGINE TAIL SHAFT	1	BOOM PACKING GLAND
1	SWIVEL on HOSE REEL	1	BOOM ROTATING BEARING
2	BOOM RAISE/LOWER CYLINDER	2	BOOM SLEW DRIVE (HYD. ROTATION)
2	BOOM EXTEND/RETRACT CYLINDER	1	STRONG ARM PIVOT
1	BOOM GATE VALVE CYLINDER		

J200810

J200810

- INSTRUCTIONS**
- WATER SYSTEM FREEZE PROTECTION**
1. Drain water tanks and close water supply valve.
 2. Start machine and open hose reel ball valve.
 3. Turn the water pump ON. Open the ball valve on the antifreeze tank.
 4. Hold the antifreeze switch in the UP position.
 5. When antifreeze is visible from the hose reel port, release the antifreeze switch.
 6. Close the hose reel ball valve.
 7. Hold the antifreeze switch in the UP position until antifreeze is visible in the water tank.
 8. Turn the engine OFF. Open the water supply valve and leave the antifreeze tank ball valve open.
 9. Before the next startup, close the antifreeze tank ball valve.
- J200483

J200483

- INSTRUCTIONS**
- START PROCEDURE**
1. Fill water tank
 2. Open ball valve - prime water pump
 3. Open gate valve on inlet port
 4. Pre-heat engine - (cold start) 15 seconds
- J200484

J200484

⚠ WARNING

ENTANGLEMENT HAZARD
 Rotating pulleys and belts could cause serious injury.
 Do not operate without guards in place.

J200445

J200445

⚠ WARNING

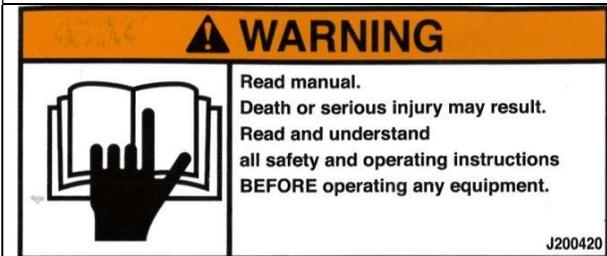
Moving parts.
 Death or serious injury may result.
 Stop engine before servicing.

J200425

J200425



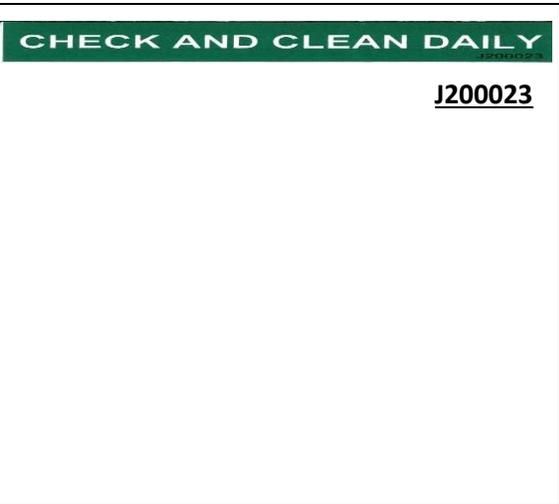
J200210



J200420



8049882



J200023



⚠ WARNING	
	<p>HIGH PRESSURE WATER Pressure wand can cause serious injury. Keep hands and feet away. Wear protective clothing.</p>
Reorder No. J200450	

J200450

⚠ WARNING	
	<p>Pinch point. Serious injury may result. Keep hands clear when closing door or lowering tank.</p>
J200455	

J200455

⚠ DANGER	
<p>ELECTROCUTION HAZARD Death or serious injury will result if boom approaches or touches overhead electrical power lines. Keep boom away from overhead utilities. Use caution when operating boom.</p>	
J200403	

J200403

⚠ WARNING	
	<p>CRUSHING WEIGHT DEATH OR SERIOUS INJURY COULD RESULT EMPTY TANK BEFORE SERVICING ALWAYS INSTALL SAFETY BAR WHEN WORKING ON RAISED TANK</p>
J200458	

J200458



⚠ WARNING	
	<p>Flammable liquid. Fuel and fumes can explode or catch fire. Turn off engine BEFORE fueling. Wipe up spilled fuel immediately.</p>

J200440

⚠ DANGER



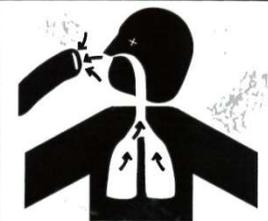
**EXPLOSION HAZARD!
CONTENTS UNDER
PRESSURE!**
Relieve tank pressure
before opening.
Failure to comply will
result in death or
serious injury.

J200423 rev.1

J200423



⚠ DANGER



SUFFOCATION HAZARD.
Vacuum hoses will cause
death or serious injury.
Keep hoses and tools
away from face and body.

J200415

⚠ DANGER



Crushing weight.
Spoil and door will cause
death or serious injury.
Unlock door only
under vacuum.
Stay away from door
when dumping.

J200410

⚠ WARNING



**FIRE OR EXPLOSION
POSSIBLE.**
Do not vacuum
flammable or
combustible
substances.

J200413

J200415

DECAL LAYOUT



**CHECK AND CLEAN
WHEN DUMPING**
J200022

J200022

	WARNING
	Pinch point. Serious injury may result. Keep hands clear when closing door or lowering tank. <small>J200455</small>

J200455

	WARNING
	CRUSHING WEIGHT DEATH OR SERIOUS INJURY COULD RESULT EMPTY TANK BEFORE SERVICING ALWAYS INSTALL SAFETY BAR WHEN WORKING ON RAISED TANK <small>J200458</small>

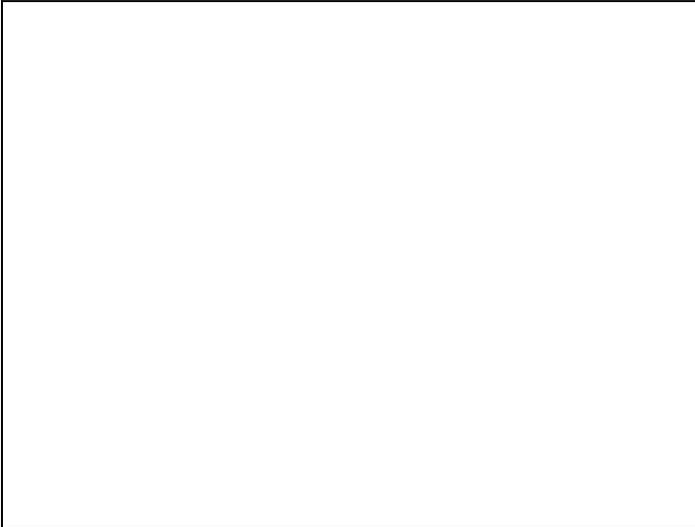
J200458



⚠ WARNING

ENTANGLEMENT HAZARD
Rotating pulleys and belts
could cause serious injury.
Do not operate
without guards in place. J200445

J200445



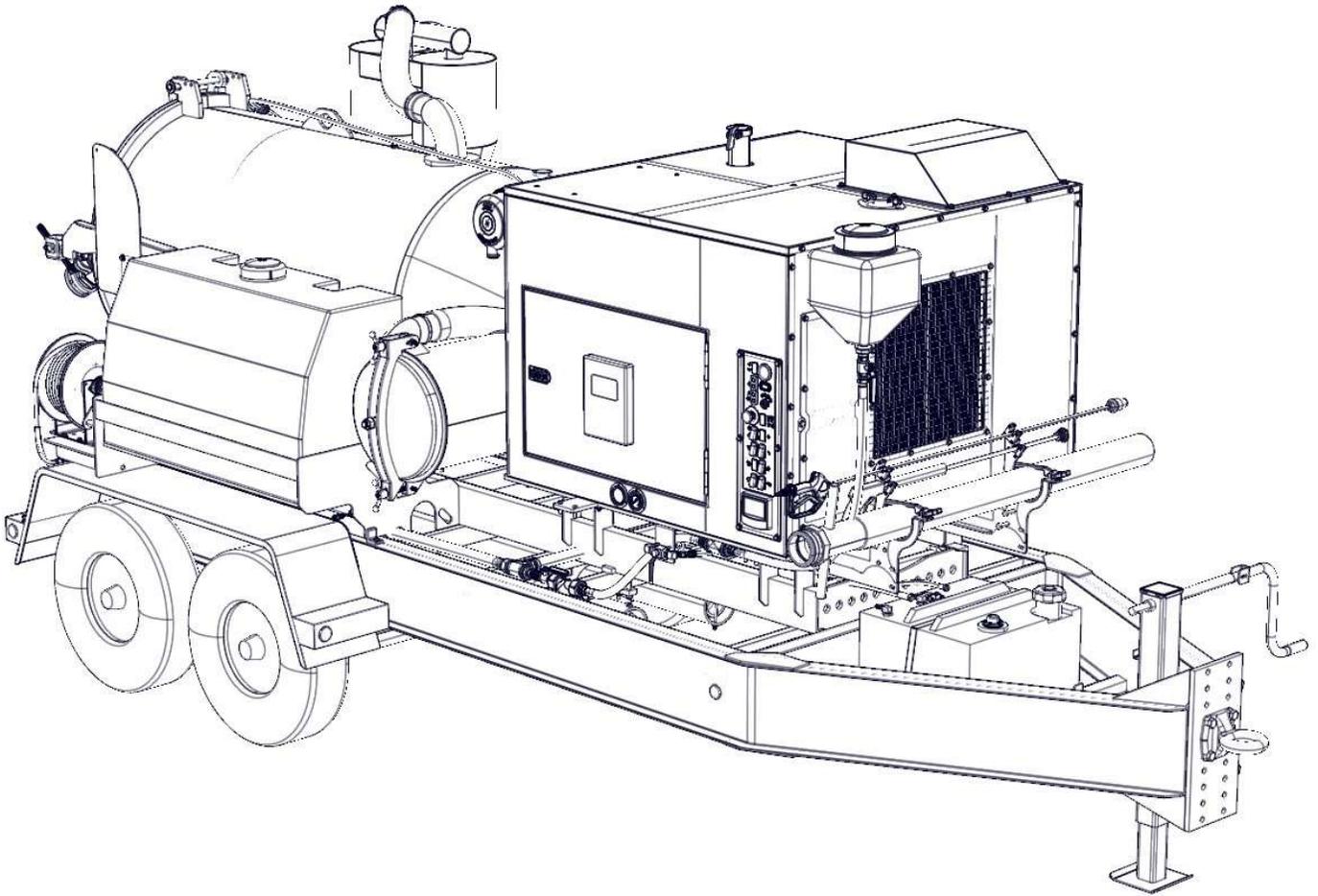
⚠ WARNING

Moving parts.
Death or serious injury
may result.
Stop engine
before servicing. J200425

J200425

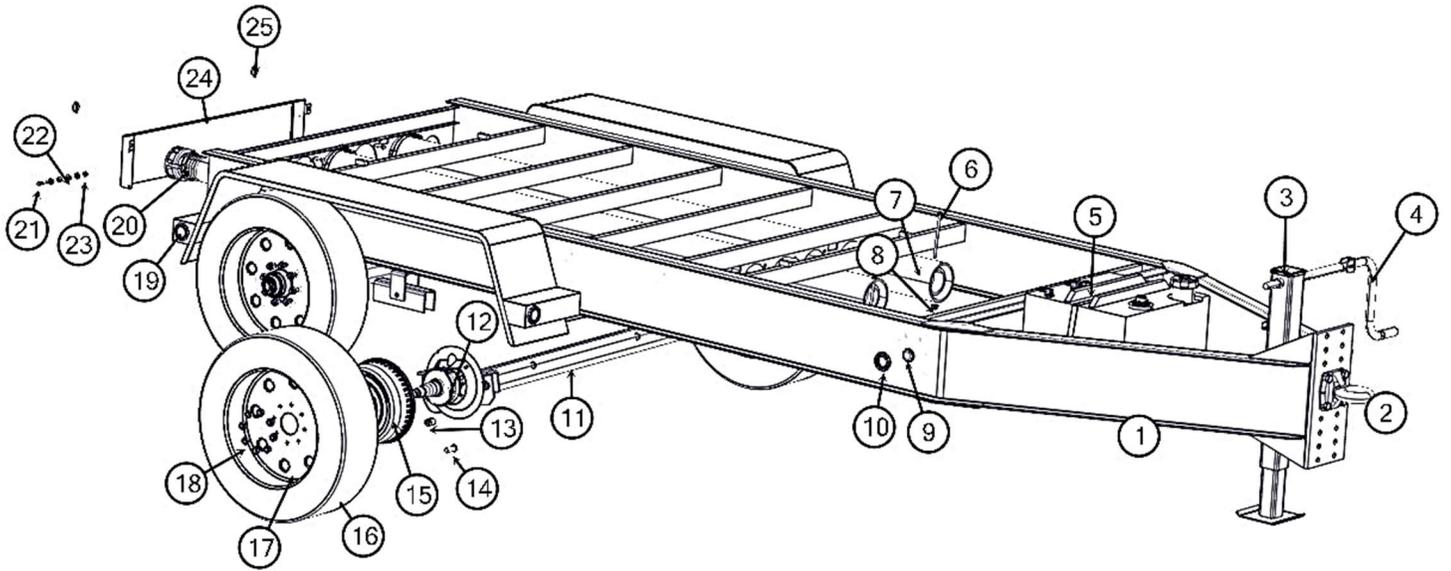
PAGE LEFT BLANK

VX75-500 COMPLETE



PAGE LEFT BLANK

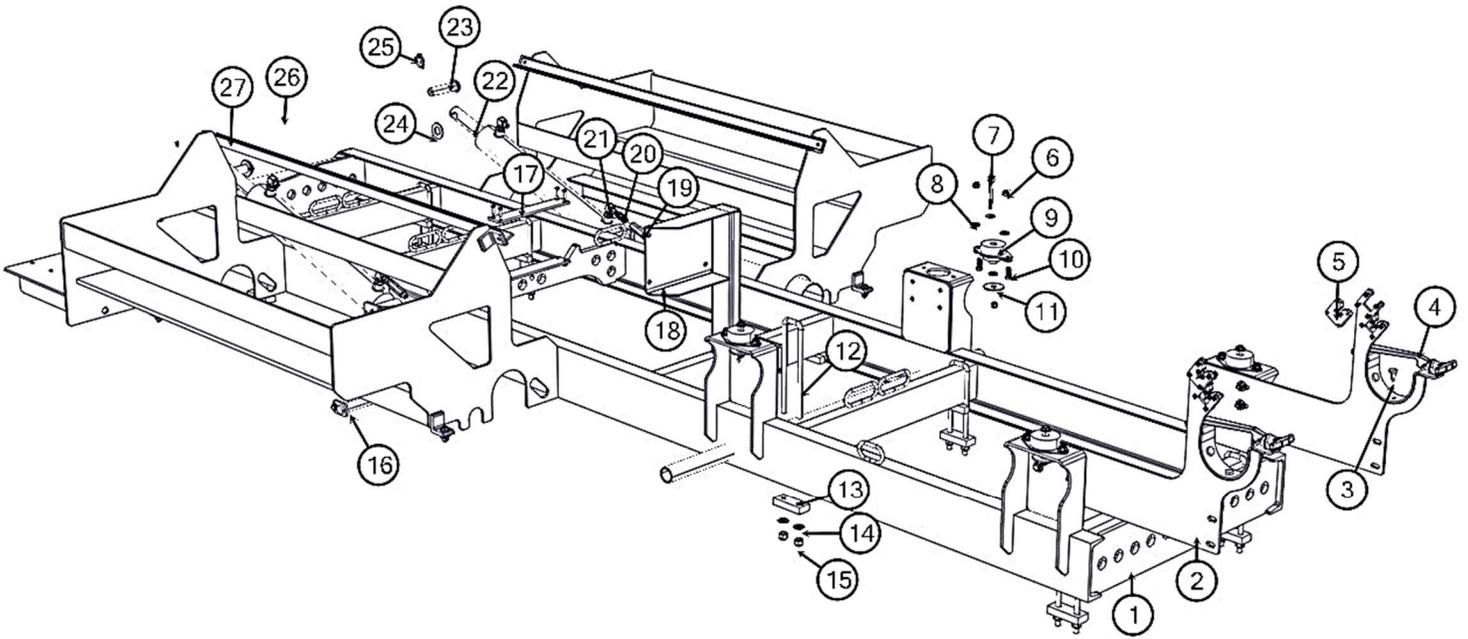
VX75-500 TRAILER



VX75-500 TRAILER

BOM ID	Qty	Description
1	1	8041088 TRAILER, 514 I-BEAM 14,000 GVW
2	1	8045366 PINTLE EYE (4 BOLT)
3	1	8043548 JACK, MANUAL
4	1	8043984 HANDLE, JACK MANUAL
5	1	8042380 TANK, PLASTIC 22 GAL DIESEL W/SENDING UNIT
6	3	U000626 SCREW, HC .375-16 X 7.50"
7	3	8041102 HOSE STORAGE 6" X 10'
8	3	U120110 NUT, LOCK .375-16 NY ZP
9	4	8044000 LIGHT, MARKER AMBER 2"
10	8	8044002 GROMMET, RUBBER LIGHT 2"
11	2	8045710 AXLE
12	4	8045718 SHOE KIT
13	4	8045717 MAGNET KIT
14	4	8045719 ADJUSTER KIT
15	4	8045711 HUB
16	4	8045708 TIRE, ST235 X 80 R16E
17	4	8047075 WHEEL, 8 LUGS
18	32	8043987 LUG NUT
19	4	8043999 LIGHT, MARKER RED 2"
20	3	8041100 HOSE ASSY VAC 4" X 10' W/CAMS
21	2	U000480 SCREW, HC .375-16 X 1.75 ZP G5
22	6	U200060 WASHER, FLAT .375 ZP
23	2	U110060 NUT, ST .375-16 ZP G2
24	1	8044809 TAILGATE COVER
25	2	U340050 PIN LINCH 3/16 X 1 9/16 ZP

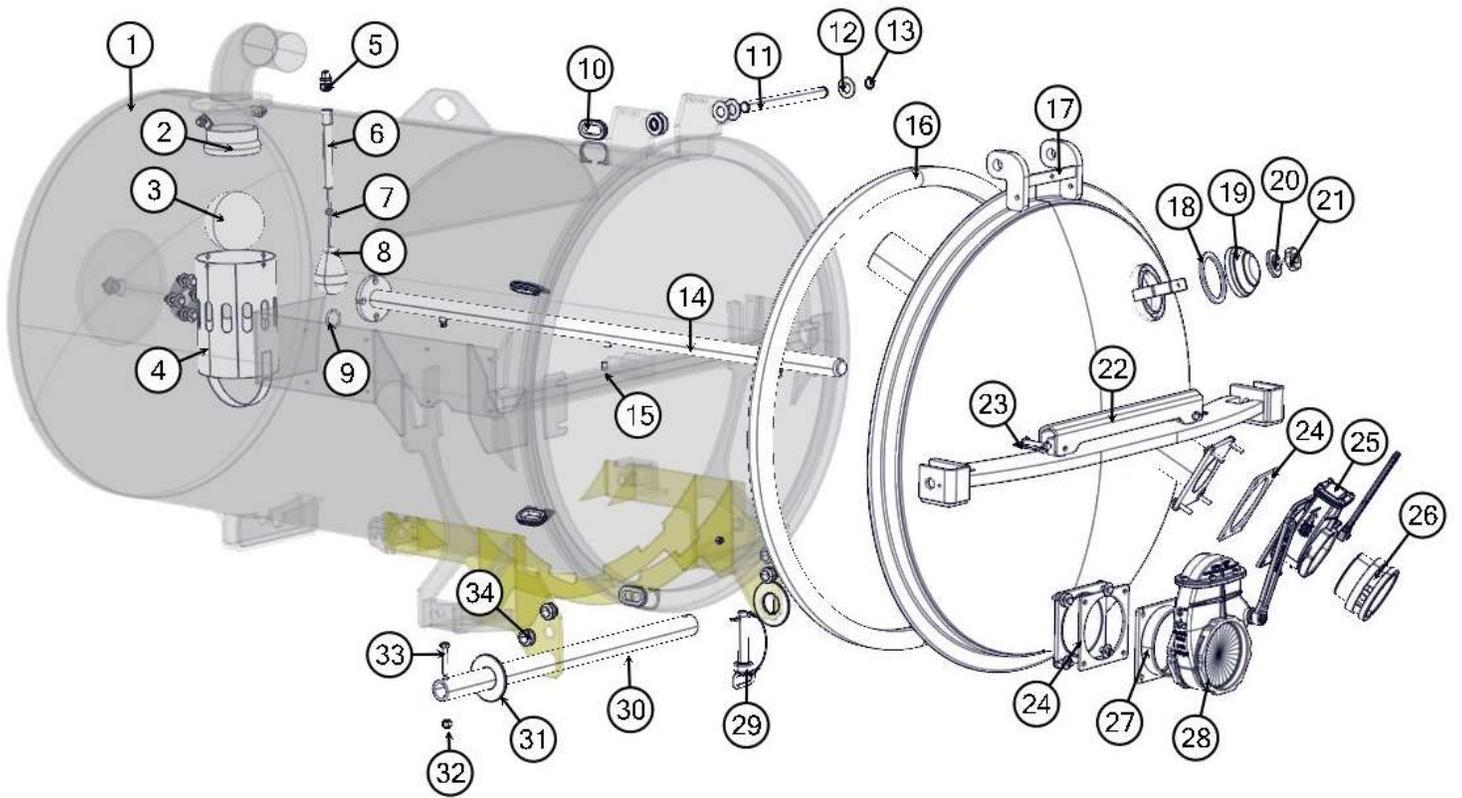
SKID ASSEMBLY



SKID ASSEMBLY

BOM ID	Qty	Description
1	1	8047885 WELDMENT, SKID 500HD W/125WT
2	2	8095924 WELDMENT, TOOL STORAGE BRACKET
3	5	8095188 BUMPER, PUSH-IN
4	2	8095189 LATCH, DRAW RUBBER
5	4	8094246 GRIPPER, WAND/LANCE
6	12	U120110 NUT, LOCK .375-16 NY ZP
7	4	U000580 SCREW, HC .375-16 X 3.50 ZP G5
8	24	U200060 WASHER, FLAT .375 ZP
9	4	8030904 ISOLATOR VAC PP
10	8	U000420 SCREW, HC .375-16 X 1.00 ZP G5
11	4	8030851 WASHER, SNUBBING
12	9	8040038 U-BOLT, SKID TRAILER .500 X 10
13	9	8040240 U-BOLT MOUNTING BLOCK
14	18	U200110 WASHER, FLAT .500 ZP SAE HARD
15	17	U120125 NUT, LOCK NY .500-13 YZ G8
16	2	8030128 WELDMENT, VAC CYLINDER PIN
17	1	8045787 STRIP PLASTIC TANK FOOT LE
18	1	8047457 BRACKET, AIR FILTER
19	2	8048286 VALVE CHECK VELOCITY 6.0GPM
20	2	T400036 UNION, 6MB - 6FJ
21	4	T401270 ELBOW, 90 8MB - 6MJ
22	2	8030359 CYLINDER, HYD 3" X 20" X 1 1/2" ROD DIA
23	2	8094691 PIN, CYLINDER BOSS 4.375" LG
24	2	U200170 WASHER, FLAT 1.00
25	2	U340050 PIN LINCH 3/16 X 1 9/16 ZP
26	2	T500020 FITTING, GREASE .125 STR 1/8"-27 NPT
27	2	8044456 BRACKET, WATER TANK CATCH

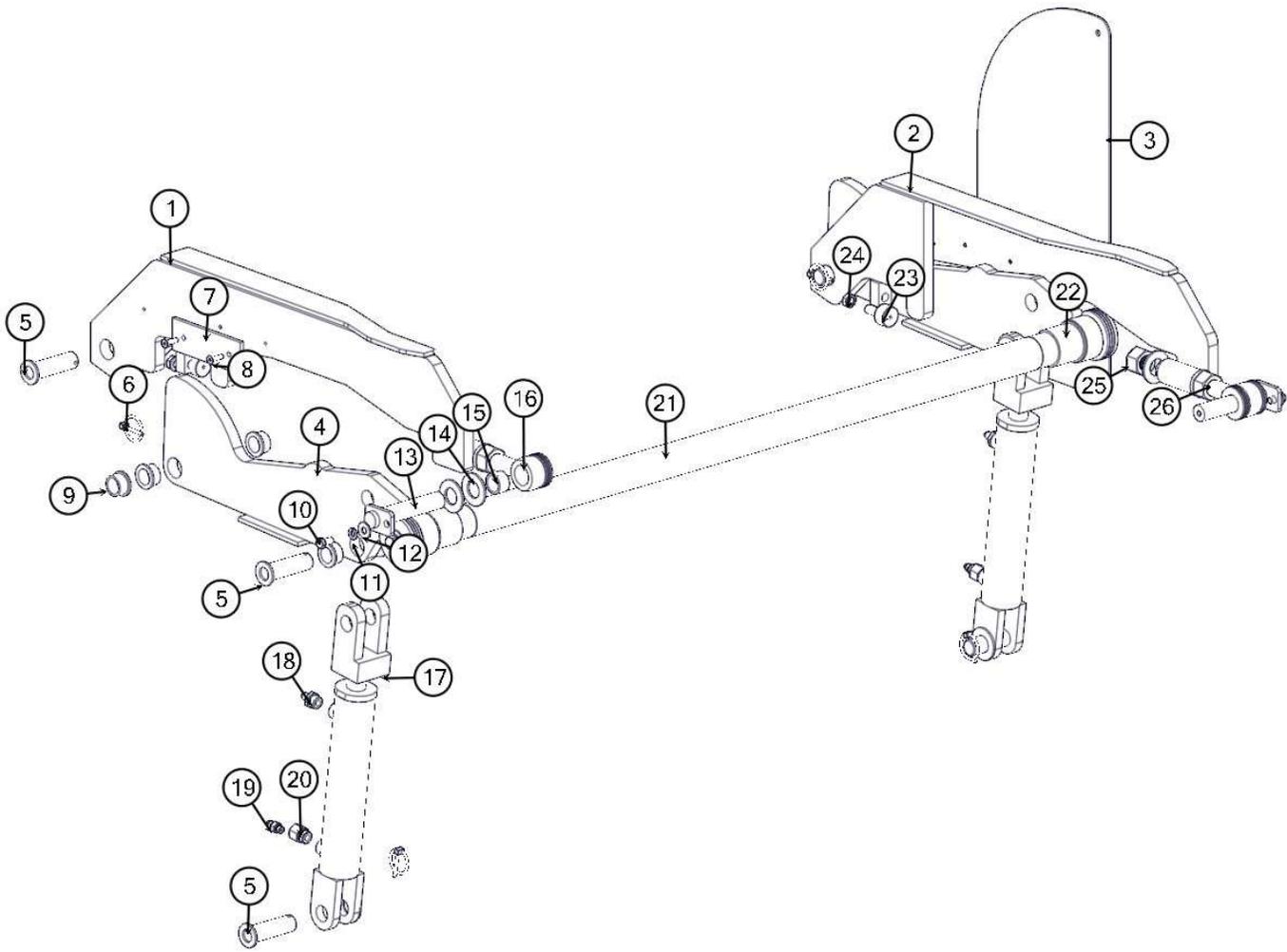
SPOIL TANK ASSEMBLY



SPOIL TANK ASSEMBLY

BOM ID	Qty	Description
1	1	8045737 TANK, SPOIL 500 FINISHED
2	1	8043571 SEAT 4" RUBBER FOR FLOAT BALL
3	1	8043570 BALL STAINLESS FLOAT 6"
4	1	8043700 BALL FLOAT SCREEN WELDMENT 4"
5	1	X000113 STRAIN RELIEF 1/2NPT .250-.375
6	1	8040769 TUBE, TANK FULL SWITCH 8"
7	1	8041291 BUSHING, RUBBER 7/8"HEAD X 21/32"BODY
8	1	8030531 SWITCH FLUID LEVEL
9	1	8030446 O-RING #328 BUNA-N
10	4	8042812 GROMMET, 2"ID X 3"OD X 1/4"WOG
11	1	8040058 DOOR HINGE ROD
12	6	U200170 WASHER, FLAT 1.00
13	2	U500020 SNAP RING EXT 1" SHAFT ZP
14	1	8043166 TANK ROD, 500 HYD DOOR WELDMENT
15	3	8030369 NOZZLE, TANK CLEANOUT .20" X 40DEG X 1/4MP
16	1	8041765 SEAL, DOOR SQ 136 BONDED
17	1	8047764 DOOR, HYD 500
18	1	8032007 GASKET, 4" FLAT ALUM COUPLER
19	1	8031048 SIGHT GLASS, 5" GLASS ONLY
20	1	8031047 PLATE, SIGHT GLASS
21	1	8031046 SCREW, HANDWHEEL SIGHT GLASS
22	1	8091336 BRACE, TANK SAFETY
23	2	8041213 SAFETY SNAP PIN
24	2	8046191 GASKET, DOOR INLET/OUTLET
25	1	8046215 VALVE, 4" GATE BRASS LEVER FLANGED
26	1	8046445 CAMLOCK, 4" AL FCAM X MNPT
27	1	8046199 GATE VALVE TANK FLANGE 6"
28	1	8030849 VALVE, 6" GATE BRASS LEVER TYPE
29	1	8041626 PIN HITCH 1" X 4 1/2"
30	1	8042648 TANK PIVOT TUBE
31	2	U200180 WASHER, FLAT 2.125"ID X 4.50"OD
32	2	U160018 NUT, LOCK .500-13 NY ZP
33	2	U000920 SCREW, HC .500-13 X 2.75 ZP G5
34	4	8041686 GROMMET, 1"ID X 1 1/2"OD X 1/2"WOG

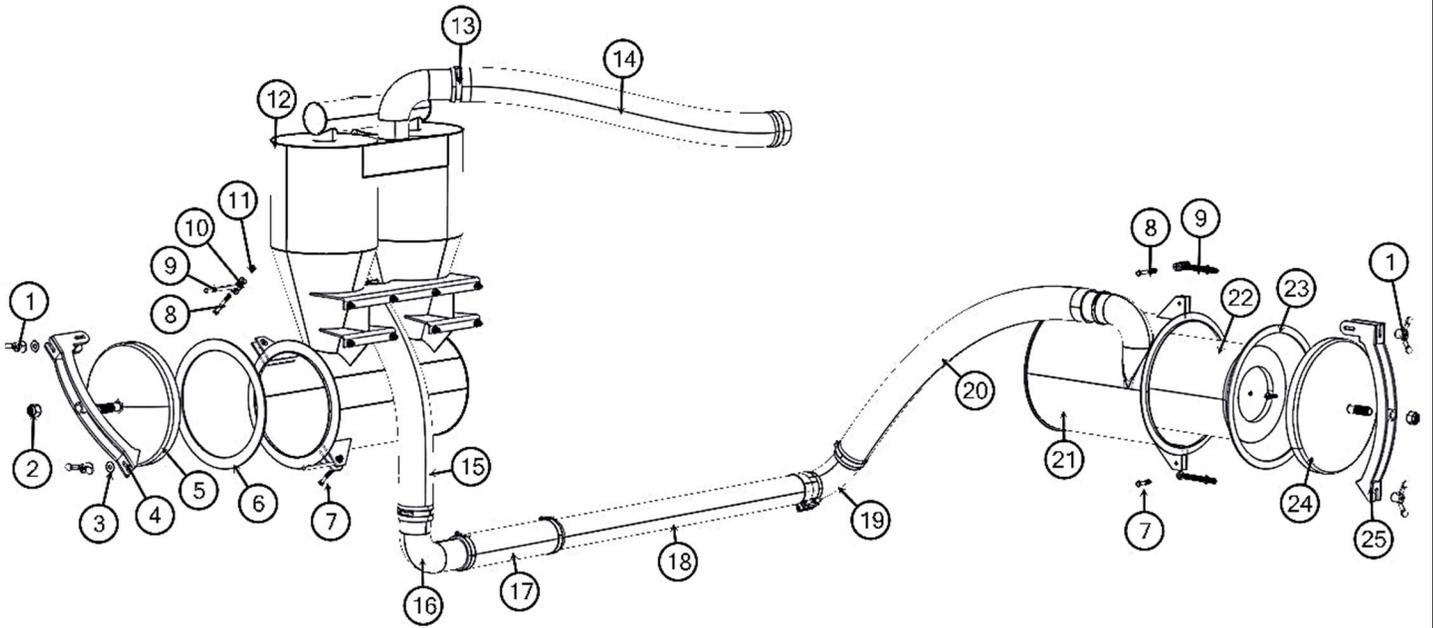
HYD ARMS ASSEMBLY



HYD ARMS ASSEMBLY

BOM ID	Qty	Description
1	1	8049765 WELDMENT, LINKAGE ARM LONG ROAD SIDE
2	1	8049763 WELDMENT, LINKAGE ARM LONG CURB SIDE
3	1	8041635 HYD ARM GUARD
4	2	8049766 WELDMENT, LINKAGE ARM SHORT
5	6	8042489 CYLINDER PIN
6	6	U340050 PIN LINCH 3/16 X 1 9/16 ZP
7	2	8049376 STRIP, PLASTIC 1/4" X 2" X 6"
8	4	U030017 SCREW, SFH .250-20 X 1.00 ZP
9	8	8041883 BUSHING BRONZE 1.25 X 1.00 X .63 FLANGED
10	2	U000400 SCREW, HC .375-16 X .75 ZP G5
11	2	U210060 WASHER, LOCK .375 ZP
12	2	U200060 WASHER, FLAT .375 ZP
13	2	8043844 CYLINDER PIN FLANGED 1" X 5 1/2"
14	14	U200170 WASHER, FLAT 1.00
15	2	8041524 BUSHING BRONZE 1.25 X 1.00 X .75 PL
16	2	8043131 ROD END 1"-8 X 7 1/2"
17	2	8041327 CYLINDER, HYD DOOR 2" X 8"
18	2	T400611 REDUCER, 8MB-4MJ
19	2	8090251 FITTING, ORIFICE .020 4MB-4MJ
20	2	T400350 REDUCER, 8MB-4FB
21	1	8090906 LINKAGE CROSS TUBE ASSEMBLY
22	2	8041602 BUSHING BRONZE 2.25 X 2.00 X 2.0 FLANGED
23	2	W000020 BEARING, CAMROL 1.25" CR 1 1/4
24	2	U160015 NUT, JAM .500-20
25	2	U120060 NUT, LOCK 1.00-8 NY ZP G2
26	2	U100240 NUT, HEX 1.00-8 ZP G2

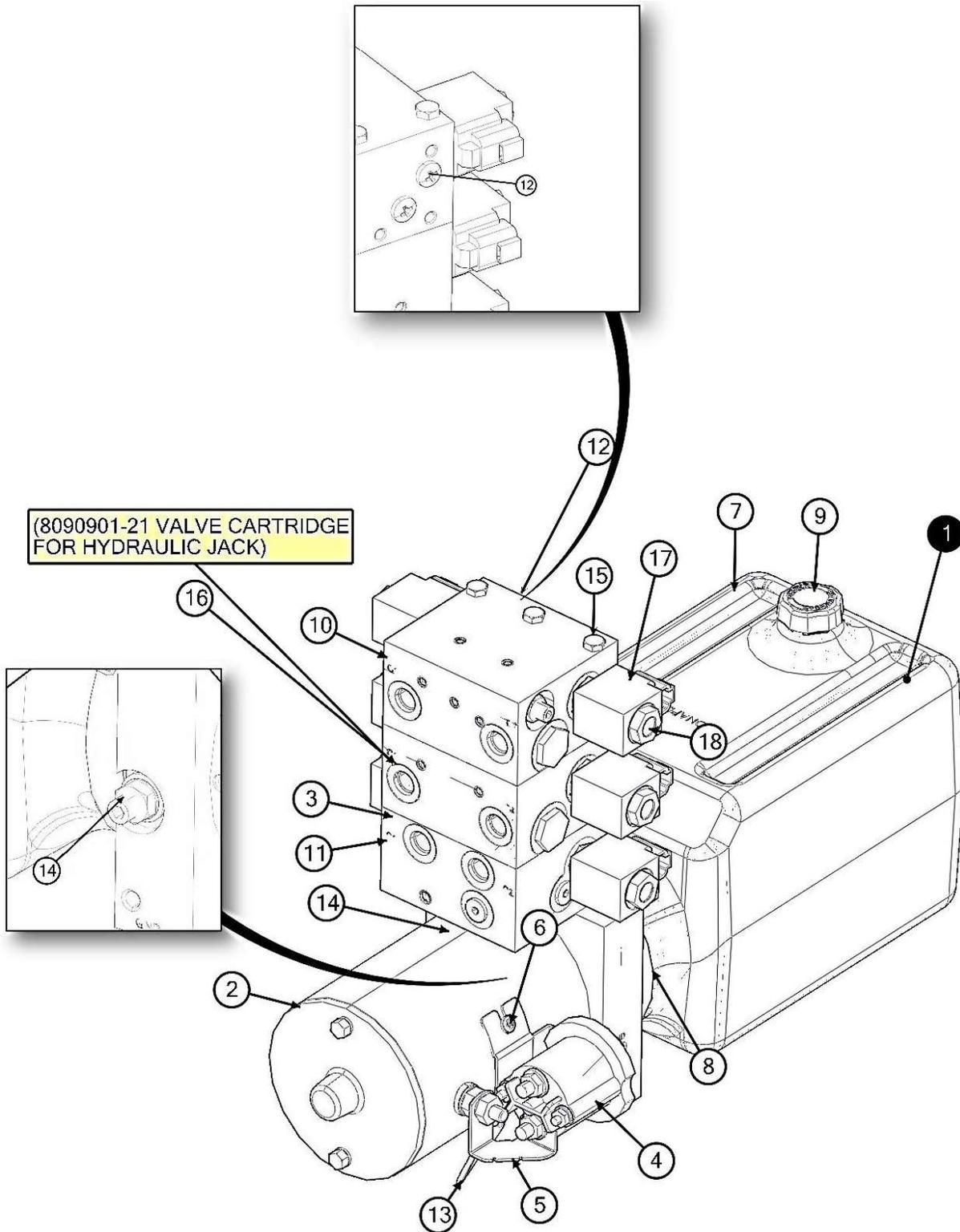
FILTRATION ASSEMBLY



FILTRATION ASSEMBLY

BOM ID	Qty	Description
1	4	8041594 HANDLE, WING .500-13
2	2	U120060 NUT, LOCK 1.00-8 NY ZP G2
3	2	U200100 WASHER, FLAT .500 ZP
4	1	8041552 LATCH, CYCLONE DOME REV FLOW
5	1	8041402 DOME, CYCLONE REV FLOW
6	1	8041612 GASKET, REV FLOW CYCLONE
7	2	U000520 SCREW, HC .375-16 X 2.25 ZP G5
8	2	U000580 SCREW, HC .375-16 X 3.50 ZP G5
9	4	8041593 BOLT, EYE 1/2-13 X 6
10	16	U200060 WASHER, FLAT .375 ZP
11	4	U120110 NUT, LOCK .375-16 NY ZP
12	1	8046458 CYCLONE HOUSING 1025 RF
13	8	8042606 CLAMP, HOSE T-BOLT 450
14	1	8041597-046.06 HOSE AG SUCTION 4" X 46.06"LG
15	1	8041597-034.75 HOSE AG SUCTION 4" X 34.75"LG
16	1	8041814 ELBOW, 90 4"EXH 4"RAD, OD-OD
17	1	8041597-018.50 HOSE AG SUCTION 4" X 18.50"
18	1	N500262-054.00 TUBE, RD 4"OD EXHAUST X 54"LG
19	1	8040929 ELBOW, 90 4" EXHAUST 4.5" RAD ID-OD
20	1	8041597-053.81 HOSE AG SUCTION 4" X 53.81"
21	1	8046338 FILTER HSG 1025 RF FLANGED
22	1	8031293 FILTER, AIR WASHABLE 1025 CFM
23	1	8041613 GASKET, REV FLOW AIR FILTER HD
24	1	8041387 DOME, AIR FILTER REV FLOW
25	1	8041554 LATCH, AIR FILTER DOME REV FLOW

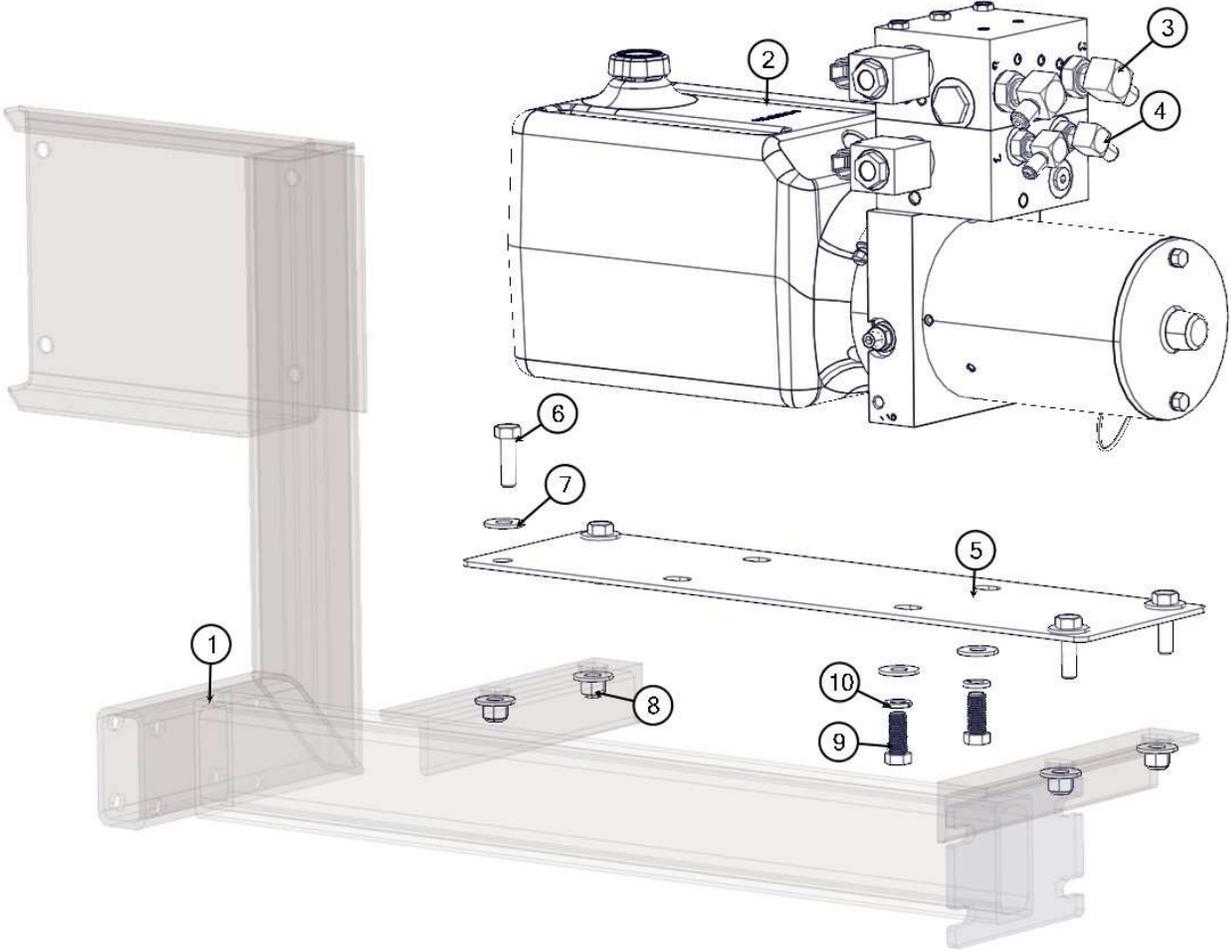
HYDRAULIC PUMP 12V



HYDRAULIC PUMP 12V

BOM ID	Qty	Name
1	1	8090901 PUMP, HYD. 12V
2	1	8090901-03 MOTOR, HYDRAULIC PUMP
3	2	8090901-07 O-RING, .63 X .75 X .06-016
4	1	8090901-08 SWITCH, SOLENOID 12VDC
5	1	8090901-09 STRAP, MOTOR SOLENOID CONNECTING
6	2	8090901-10 SCREW,PAN HD TORX. 10-32 X 5/16
7	1	8090901-11 RESEVOIR, PLASTIC 6.7 X 6.7 X 11 H/WT
8	1	8090901-12 CLAMP, HOSE WORM GEAR RSV. M-SER
9	1	8090901-13 PLUG, RESEVOIR
10	1	8090901-14 VALVE, ASSEMBLY 12VDC 4W. RV ON CT
11	1	8090901-15 VALVE, ASSEMBLY ELECTRIC 12VDC
12	2	8090901-18 FITTING, PLUG 1/4-20 SCREW
13	1	8090901-19 WIRE, ASSEMBLY 16AWG HS RING
14	1	8090901-17 VALVE, ASSEMBLY R/V 1001PSI AND UP
15	3	8090901-20 SCREW,HHC 1/4-20 X 7 1/2 G8
16	1	8090901-21 VALVE, ASSEMBLY 12VDC 4W CARTRIDGE
17	1	8090901-22 COIL, 10VDC #8 INT 2 PIN HI WT
18	1	8090901-23 CARTRIDGE, 3W/2P #8 3000PSI

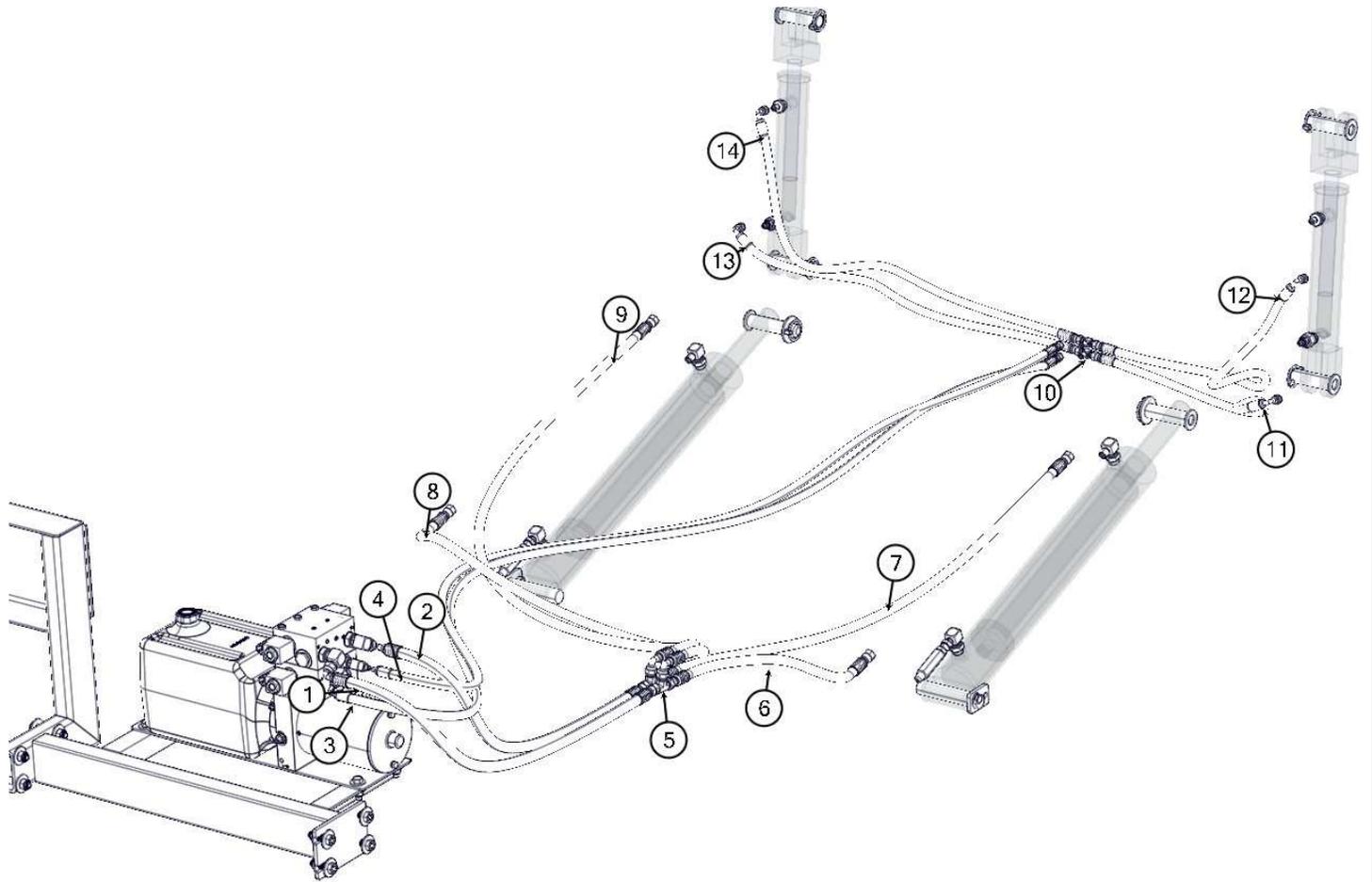
HYDRAULIC PUMP 12V ASSEMBLY



HYDRAULIC PUMP 12V ASSEMBLY

BOM ID	Qty	Description
1	1	8048384 BRACKET, HYD VERTICAL
2	1	8090901 PUMP, HYD 12V W/2 STACK MANIFOLD
3	2	T401250 ELBOW, 90 6MB - 6MJ
4	2	T401660 ELBOW, 90 6MB - 4MJ
5	1	8092597 PLATE, MOUNT HYD PUMP BRACKET
6	4	U000440 SCREW, HC .375-16 X 1.25 ZP G5
7	10	U200060 WASHER, FLAT .375 ZP
8	4	U120110 NUT, LOCK .375-16 NY ZP
9	2	U000420 SCREW, HC .375-16 X 1.00 ZP G5
10	2	U210060 WASHER, LOCK .375 ZP

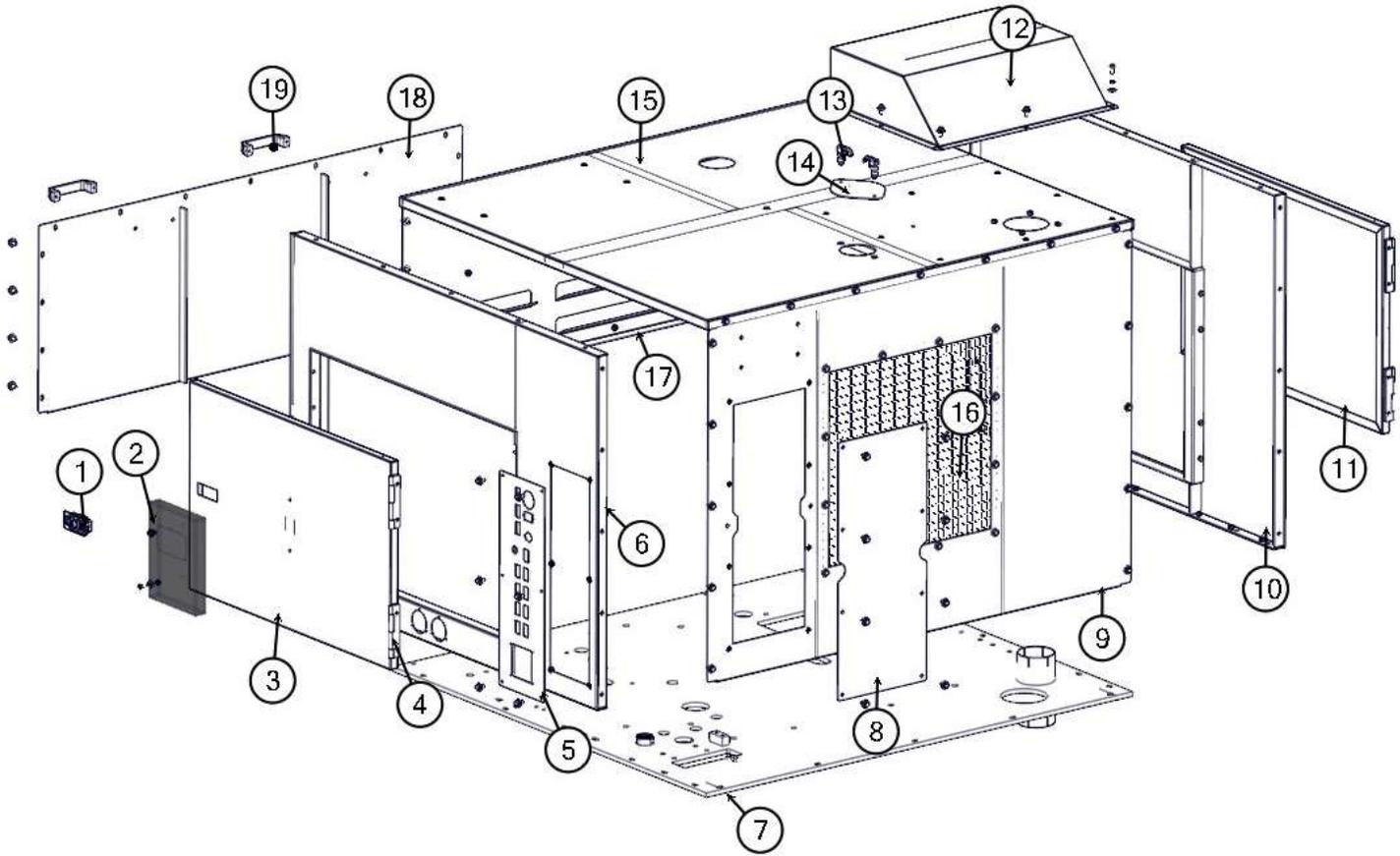
12V HYD HOSE ASSEMBLY



12V HYD HOSE ASSEMBLY

BOM ID	Qty	Description
1	1	8043962 HOSE ASSY VAC 6-44" ST-90 (TANK PRESSURE)
2	1	8048653 HOSE ASSY VAC 6-38" ST-90 (TANK RETURN)
3	1	8049374 HOSE ASSY VAC 4-120" ST-90 (DOOR PRESSURE)
4	1	8044990 HOSE ASSY VAC 4-114" ST-90 (DOOR RETURN)
5	2	T402154 TEE, 6MJ-6MJ-6MJ
6	1	8093414 HOSE ASSY VAC 6-17" ST-ST (TANK PRESSURE)
7	1	8094181 HOSE ASSY VAC 6-38" ST-ST (TANK RETURN)
8	1	8090242 HOSE ASSY VAC 6-39" ST-90 (TANK PRESSURE)
9	1	8093200 HOSE ASSY VAC 6-59" ST-90 (TANK RETURN)
10	2	T402035 TEE, 4MJ-4MJ-4MJ
11	1	8049012 HOSE ASSY VAC 4-30" ST-90 (DOOR PRESSURE)
12	1	8047714 HOSE ASSY VAC 4-38" ST-90 (DOOR RETURN)
13	1	8049012 HOSE ASSY VAC 4-30" ST-90 (DOOR PRESSURE)
14	1	8047714 HOSE ASSY VAC 4-38" ST-90 (DOOR RETURN)

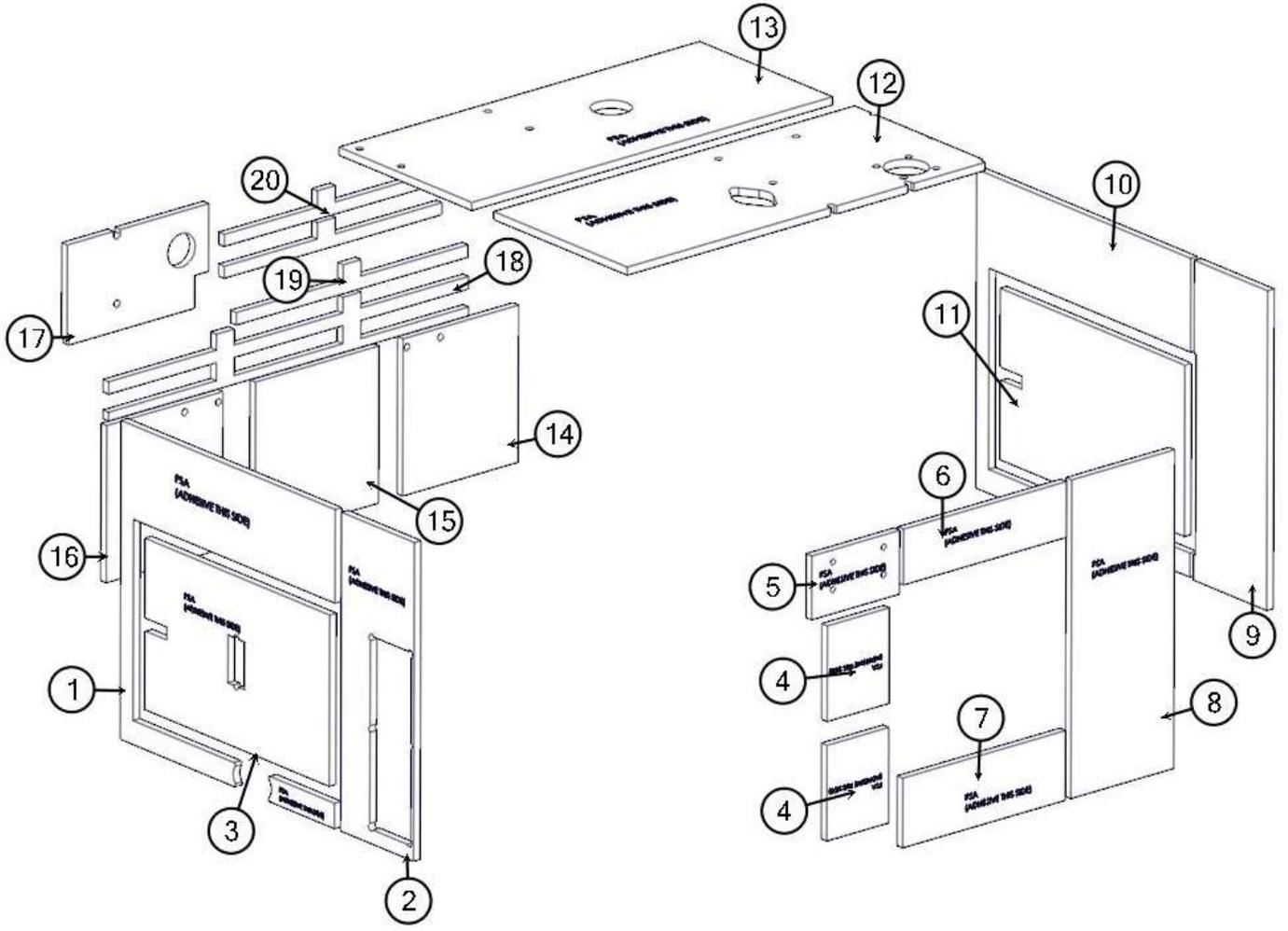
ENCLOSURE ASSEMBLY



ENCLOSURE ASSEMBLY

BOM ID	Qty	Description
1	2	8040586 SEALED LEVER LATCH
2	1	E250210 BOX, SAFETY MANUAL
3	1	8096213 WELDMENT, ENCLOSURE DOOR W/MANUAL BOX
4	4	8093873 HINGE, DOOR ENCLOSURE
5	1	8095541 PLATE, ENCLOSURE CONTROL PANEL
6	1	8095527 WELDMENT, PANEL CURBSIDE
7	1	8095333 WELDMENT, ENGINE PLATE 75HP
8	1	8095549 PLATE, ACCESS BATTERY
9	1	8095542 WELDMENT, PANEL RADIATOR
10	1	8095536 WELDMENT, ENCLOSURE STREETSIDE
11	1	8095538 WELDMENT, ENCLOSURE DOOR
12	1	8095517 WELDMENT, BLOWER INTAKE BOX
13	2	8040334 SWELL LATCH
14	1	8040592 ENCLOSURE RADIATOR COVER
15	1	8095521 WELDMENT, PANEL TOP
16	1	8095805 RADIATOR GRATE
17	1	8095545 WELDMENT, PANEL REAR UPPER
18	1	8095547 WELDMENT, ENCLOSURE REAR LOWER
19	2	8095551 HANDLE, PULL

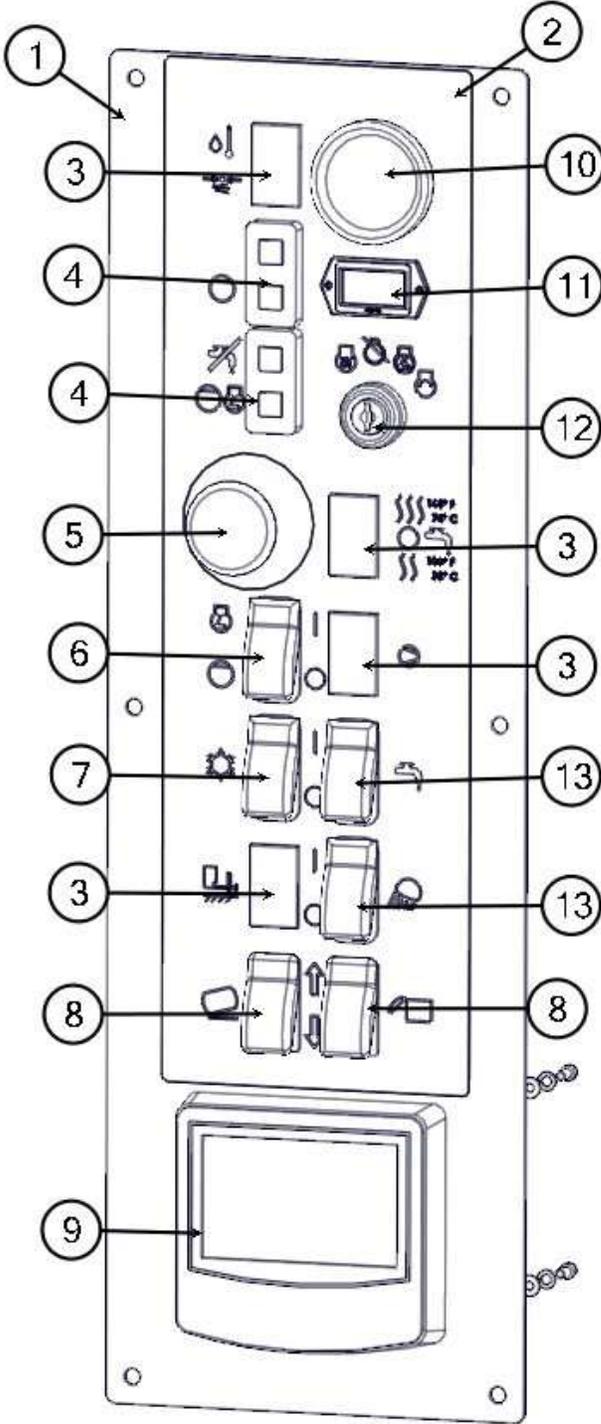
ENCLOSURE FOAM ASSEMBLY



ENCLOSURE FOAM ASSEMBLY

BOM ID	Qty	Description
1	1	8095558-01 PANEL 1, FOAM ENCLOSURE
2	1	8095558-02 PANEL 2, FOAM ENCLOSURE
3	1	8095558-21 PANEL 21, FOAM ENCLOSURE
4	2	8095558-08 PANEL 8, FOAM ENCLOSURE
5	1	8095558-07 PANEL 7, FOAM ENCLOSURE
6	1	8095558-18 PANEL 18, FOAM ENCLOSURE
7	1	8095558-06 PANEL 6, FOAM ENCLOSURE
8	1	8095558-05 PANEL 5, FOAM ENCLOSURE
9	1	8095558-04 PANEL 4, FOAM ENCLOSURE
10	1	8095558-03 PANEL 3, FOAM ENCLOSURE
11	1	8095558-15 PANEL 15, FOAM ENCLOSURE
12	1	8095558-16 PANEL 16, FOAM ENCLOSURE
13	1	8095558-17 PANEL 17, FOAM ENCLOSURE
14	1	8095558-09 PANEL 9, FOAM ENCLOSURE
15	1	8095558-20 PANEL 20, FOAM ENCLOSURE
16	1	8095558-19 PANEL 19, FOAM ENCLOSURE
17	1	8095558-10 PANEL 10, FOAM ENCLOSURE
18	1	8095558-11 PANEL 11, FOAM ENCLOSURE
19	1	8095558-14 PANEL 14, FOAM ENCLOSURE
20	2	8095558-12 PANEL 12, FOAM ENCLOSURE

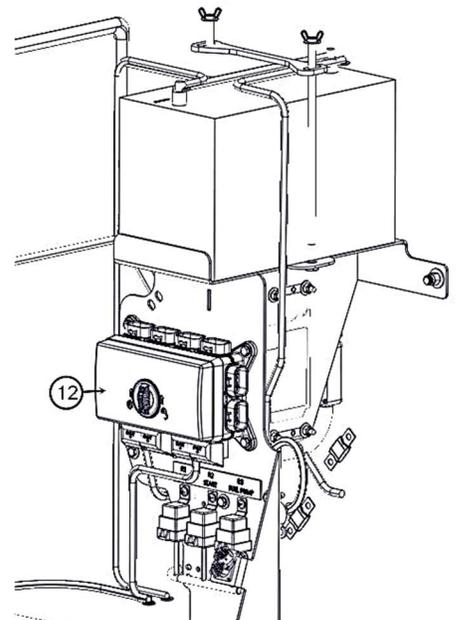
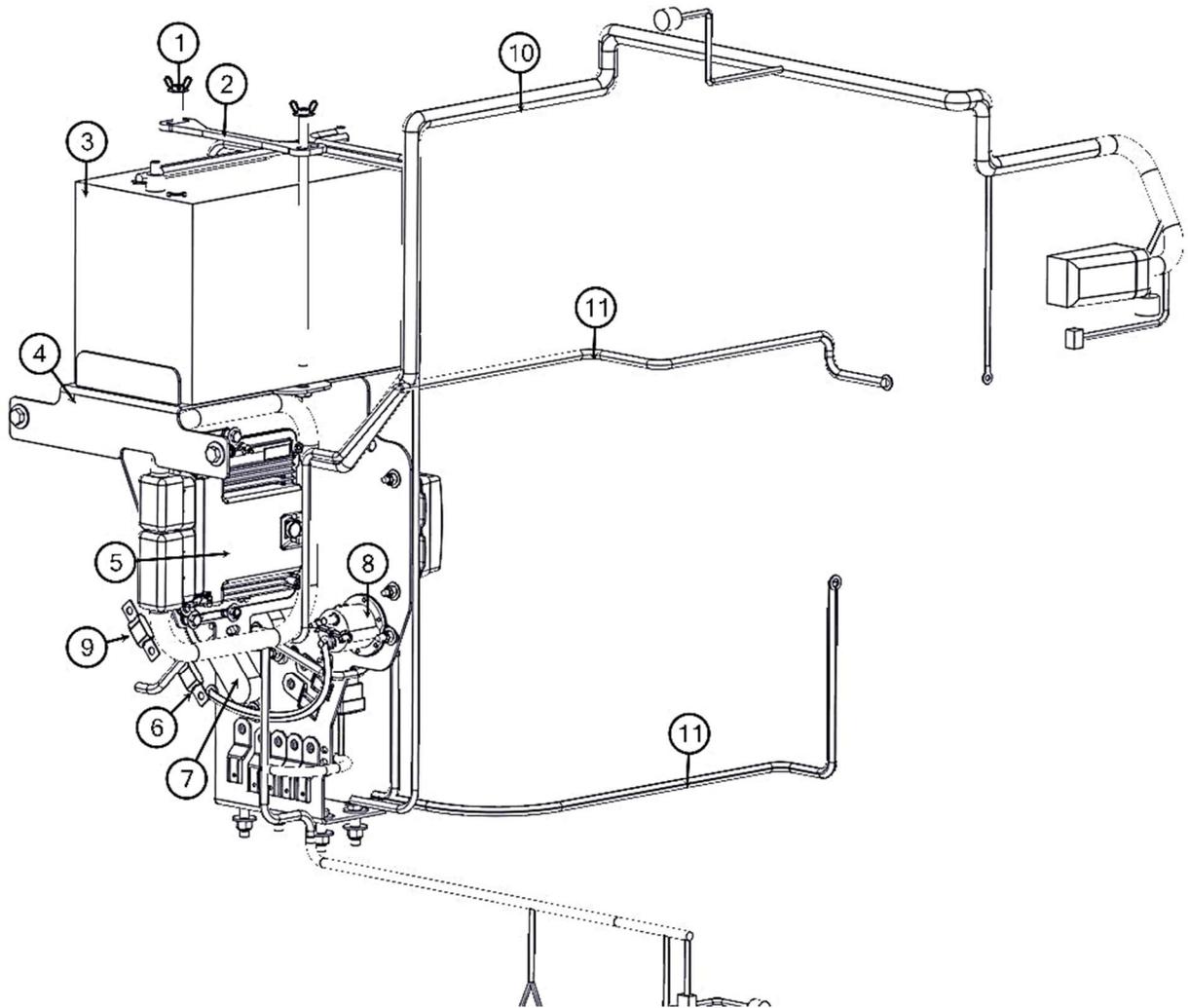
CONTROL PANEL ASSEMBLY



CONTROL PANEL ASSEMBLY

BOM ID	Qty	Description
1	1	8095541 PLATE, ENCLOSURE CONTROL PANEL
2	1	J200069 DECAL, VX75 CONTROL PANEL
3	4	X000290 PLUG, ROCKER HOLE
4	2	X000260 LIGHT, LED DUAL PANEL
5	1	X000280 SWITCH, EMERGENCY STOP
6	1	X000273 ROCKER SWITCH SPST (ON) NONE OFF
7	1	X000272 ROCKER SWITCH DPST (ON) NONE-ON
8	2	X000274 ROCKER SWITCH DPST (ON) OFF (ON)
9	1	8093970-06 DISPLAY, POWERVIEW PV480 DEUTZ 75HP
10	1	X100001 GAUGE, FUEL WEMA
11	1	X000300 HOUR METER
12	1	8030458 SWITCH, IGNITION
13	2	X000270 ROCKER SWITCH SPST ON-OFF

ELECTRICAL ASSEMBLY



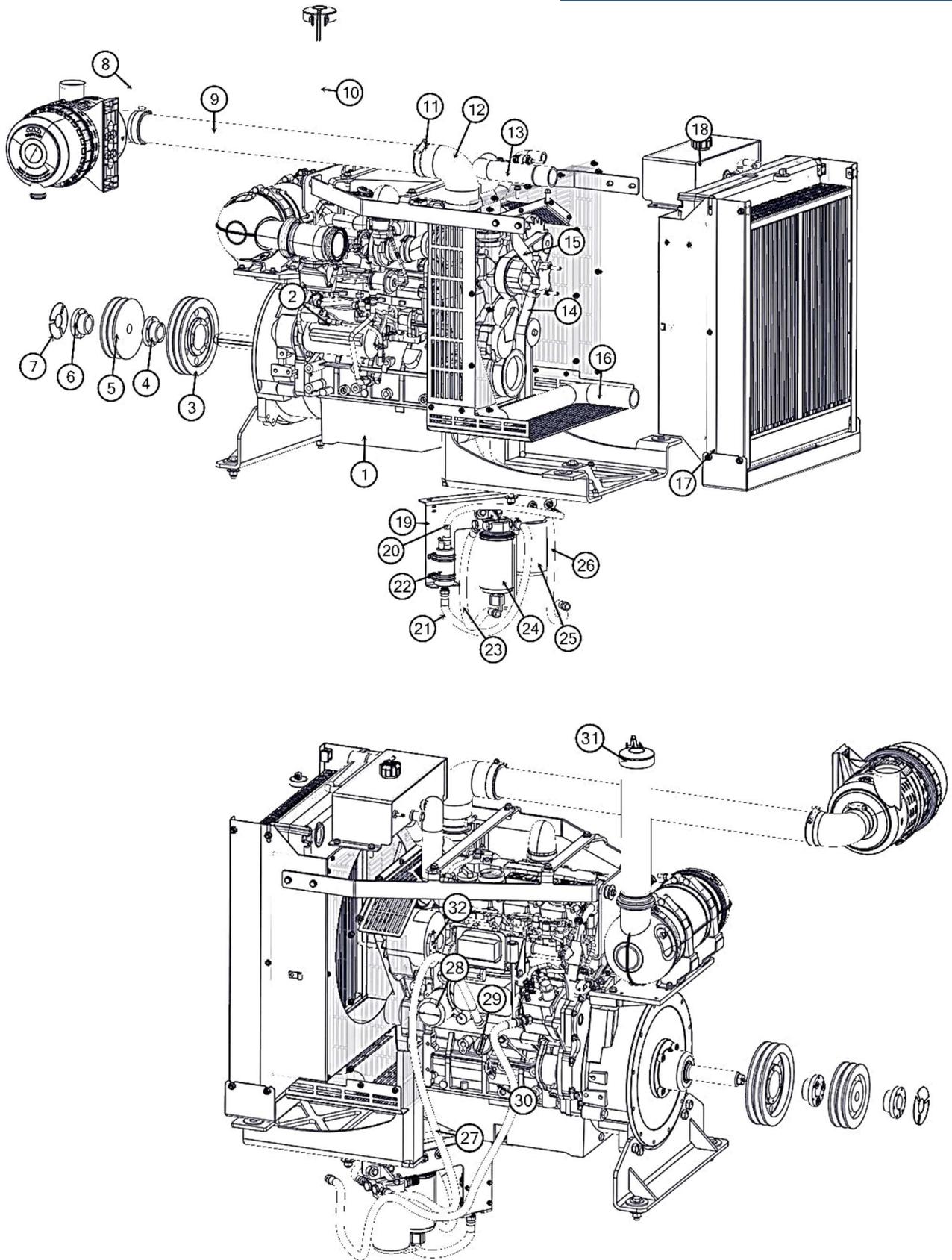
ELECTRICAL ASSEMBLY

BOM ID	Qty	Description
1	2	8043742 BATTERY ROD HOLD DOWN VK
2	1	8050016 STRAP, FOR BATTERY
3	1	X400050 BATTERY, 31-MHD WORKAHOLIC
4	1	8095985 WELDMENT, ELECTRICAL BRACKET
5	1	8093970-08 DEUTZ 75HP PTO-CONTROL
6	1	8091757 FUSE 100A AMG
7	2	8043800 FUSE HOLDER AMG
8	1	8046258 SWITCH HYD PUMP
9	1	8043801 FUSE, AMG 250A
10	1	X200253 HARNESS, VX ENGINE
11	1	8096253 KIT, BATTERY CABLE VX75
12	1	X000239 VEHICLE ELECTRICAL CENTER

*NOT SHOWN

X200251 1 MAIN HARNESS
 X200259 1 CONTROL PANEL HARNESS

ENGINE ASSEMBLY

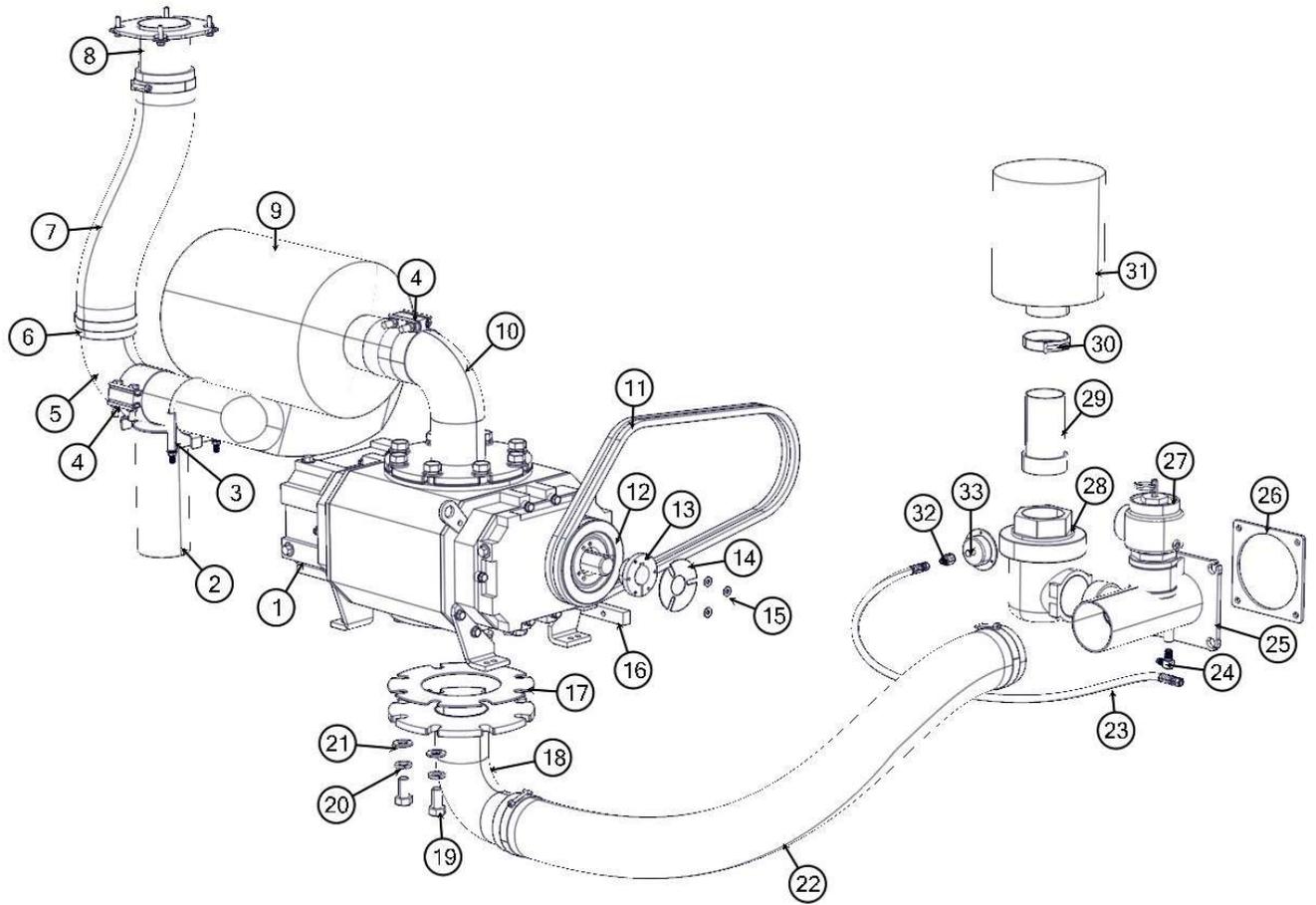


ENGINE ASSEMBLY

BOM ID	Qty	Description
1	1	8093970 ENGINE, DEUTZ TD 2.9 L4 T4F
2	1	8093970-10 STARTER
3	1	8040482 SHEAVE, 8.35" OD SK ENGINE
4	1	8040483 BUSHING, SK 1 7/16"
5	1	8040697 SHEAVE, 6.55"OD - SDS 2 GROOVE
6	1	8040960 BUSHING, SDS 1 7/16 ENGINE
7	1	8048364 RETAINER FOR 1 1/2" BUSHING 3 HOLE
8	1	8093970-07 ASSEMBLY, AIR CLEANER DEUTZ
9	1	8096058 TUBE, RD OD 3" X 2.87"ID ERW X 36"LG
10	1	8095959 EXHAUST PIPE
11	4	8042605 CLAMP HOSE T-BOLT 350
12	1	8091494 EXHAUST INTAKE ELBOW 90 RUBBER 3 X 3
13	1	8093970-19 UPPER RADIATOR HOSE
14	1	8093970-18 V-BELT
15	1	8093970-17 FAN
16	1	8093970-20 LOWER RADIATOR HOSE
17	1	8093970-21 RADIATOR
18	1	8093970-22 OVERFLOW TANK
19	1	8095388 BRACKET, FUEL SYSTEM VX75
20	1	8049946-20.00 HOSE, FUEL 5/16 - 20"
21	1	T300457-23.00 HOSE, FUEL 3/8 - 23"LG
22	1	8093970-01 FUEL PUMP, DEUTZ
23	1	T300457-26.50 HOSE, FUEL 3/8 - 26.50"LG
24	1	8093970-02 WATER SEPERATOR, DEUTZ
25	1	8093970-03 FUEL FILTER, DEUTZ
26	1	T300457-78.00 HOSE, FUEL 3/8 - 78"LG
27	1	8093970-04 FUEL SUPPLY LINE, DEUTZ
28	1	8093970-12 OIL FILTER
29	1	8093970-14 CAP, OIL
30	1	8093970-13 DIPSTICK, OIL
31	1	8044537 RAIN CAP 3" SILENT
32	1	8093970-11 GENERATOR

*NOT SHOWN
QTY 1 AIR FILTER - 8093970-24

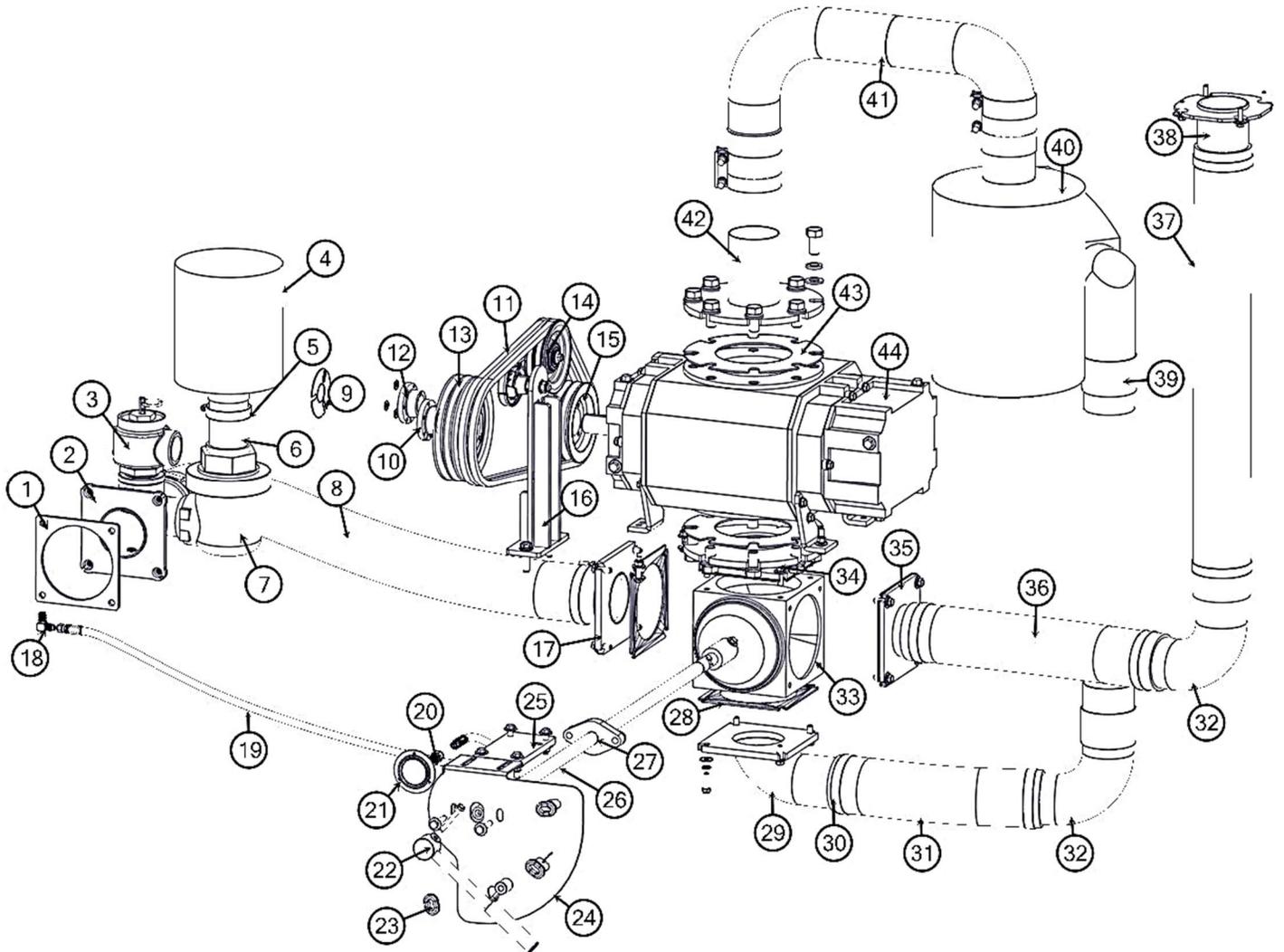
BLOWER ASSEMBLY



BLOWER ASSEMBLY

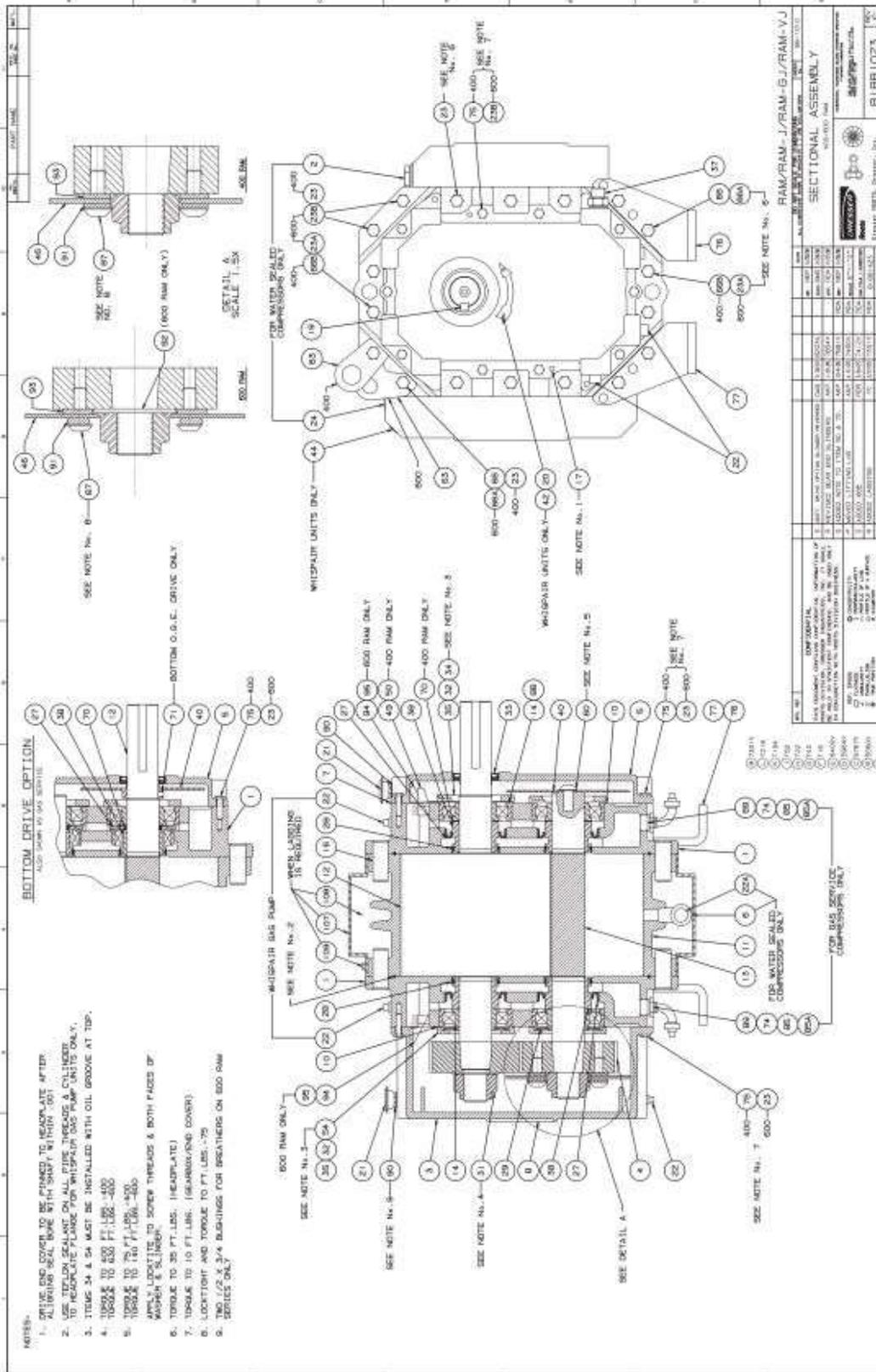
BOM ID	Qty	Description
1	1	8045164 PUMP, VAC 1200 RH SHAFT TOPOUT
2	1	8096222 WELDMENT, SILENCER SUPPORT
3	1	8031193 CLAMP, U-BOLT 4" EXHAUST
4	2	8030400 CLAMP, BAND 4" EXHAUST
5	1	8092509 WELDMENT, ELBOW EXHAUST 4-WAY TO SILENCER
6	4	8042606 CLAMP HOSE T-BOLT 450
7	1	8092929-021.438 HOSE, BLOWER HOT AIR 4"ID X 21 7/16"LG
8	1	8095622 WELDMENT, BLOWER EXHAUST FLANGE
9	1	8030917 SILENCER, 4" COWL FOR 1025 CFM
10	1	8049871 WELDMENT, BLOWER FLANGE ELBOW
11	2	8049163 BELT, BP59 PREDATOR
12	1	8047969 SHEAVE, 2B60 6.35"OD SD 2 GROOVE
13	1	8045305 BUSHING, SD 1 1/2"
14	1	8048364 RETAINER FOR 1 1/2" BUSH 3 HOLE
15	3	U200020 WASHER, FLAT .250 ZP
16	1	8047006 TENSIONER BAR 99XT
17	2	8046996 GASKET, BLOWER FLANGE ROOTS 412
18	1	8049871 WELDMENT, BLOWER FLANGE ELBOW
19	16	U001360 SCREW, HC .750-10 X 1.50 ZP G5
20	16	U210160 WASHER, LOCK .750 ZP
21	16	U200165 WASHER, FLAT .750 ZP SAE HARD
22	1	8092929-048.500 HOSE, BLOWER HOT AIR 4"ID X 48 1/2"LG
23	1	8042927 HOSE ASSY VAC 4-50" ST-ST
24	1	T401100 ELBOW, 90 4MP - 4MJ
25	1	8048126 HEADER, 4" AIR FILTER HDRF
26	1	8046191 GASKET, DOOR INLET/OUTLET
27	1	8041035 VALVE, 2.5" AIR RELIEF SET 5PSI
28	1	8030866 VALVE, 3" AIR RELIEF SET 15"HG
29	1	8045238 UNION EXHAUST 3" OD-MNPT
30	1	8042605 CLAMP HOSE T-BOLT 350
31	1	8043553 FILTER, AIR 3" 245 CFM
32	1	T400110 UNION, 4FP - 4MJ
33	1	8041074 VACUUM GAUGE

BLOWER ASSEMBLY RF



BLOWER ASSEMBLY

BOM ID	Qty	Description
1	1	8046191 GASKET, DOOR INLET/OUTLET
2	1	8048126 HEADER, 4" AIR FILTER HDRF
3	1	8041035 VALVE, 2.5" AIR RELIEF SET 5 PSI
4	1	8043553 FILTER, AIR 3" 245 CFM
5	1	8042605 CLAMP HOSE T-BOLT 350
6	1	8045238 UNION EXHAUST 3" OD-MNPT
7	1	8030866 VALVE, 3" AIR RELIEF SET 15" HG
8	1	8092929-048.00 HOSE BLOWER HOT AIR 4" X 48"LG
9	1	8048364 RETAINER FOR 1 1/2" BUSHING 3 HOLE
10	1	8040483 BUSHING, SK 1 7/16"
11	2	8049163 BELT, BP59 PREDATOR
12	1	8045305 BUSHING, SD 1 1/2"
13	1	8040482 SHEAVE, 8.35" OD SK ENGINE
14	1	8049156 AUTO TENSIONER FOR DUAL V BELT
15	1	8047969 SHEAVE, 2B60 6.35"OD SD 2 GROOVE
16	1	8095973 WELDMENT, BLOWER BELT TENSIONER BRACKET
17	1	8046984 WELDMENT, FLANGE EXHAUST 4-WAY 6 X 4 TUBE
18	1	T401100 ELBOW, 90 4MP-4MJ
19	1	8042927 HOSE ASSY VAC 4-50" ST-ST
20	1	T400110 UNION, 4FP-4MJ
21	1	8041074 GAUGE, COMPOUND PRESSURE/VACUUM
22	1	8041617 HANDLE, 4" REV FLOW W/GRIP
23	3	8048585 GROMMET, REV FLOW PLATE
24	1	8046202 BRACKET, REV FLOW CONTROL
25	1	8096036 PLATE, MOUNT CONTROLS REV FLOW
26	1	8048342 REV FLOW ROD U-JOINT
27	1	W030080 BEARING, FLANGE 2 BOLT 1" BORE
28	4	8046995 GASKET, FLANGE 4-WAY 6"
29	1	8091913 WELDMENT, ELBOW 6" VALVE FLANGE
30	8	8042606 CLAMP HOSE T-BOLT 450
31	1	8092929-017.00 HOSE BLOWER HOT AIR 4" X 17"LG
32	2	8041814 ELBOW, 90 4" EXHAUST 4"RAD 4"OD-OD
33	1	8045829 VALVE, 4-WAY 6" W/O FLANGES
34	1	8048089 BRACKET, REV FLOW BLOWER TO 4-WAY
35	1	8046984 WELDMENT, FLANGE EXHAUST 4-WAY 6 X 4 TUBE
36	1	8092929-022.00 HOSE BLOWER HOT AIR 4" X 22"LG
37	1	8092929-037.00 HOSE BLOWER HOT AIR 4" X 37"LG
38	1	8095622 WELDMENT, BLOWER EXHAUST FLANGE
39	4	8030400 CLAMP, BAND 4" EXHAUST
40	1	8030917 SILENCER, 4" COWL FOR 1025 CFM
41	1	8096035 WELDMENT, BLOWER DEUTZ 75HP RF
42	1	8046988 BLOWER FLANGE OUTLET
43	2	8046996 GASKET, BLOWER FLANGE ROOT 412
44	1	8045164 PUMP, VAC 1200 RH SHAFT TOPOUT



Assembly of RAM Series - Air & Gas Blowers

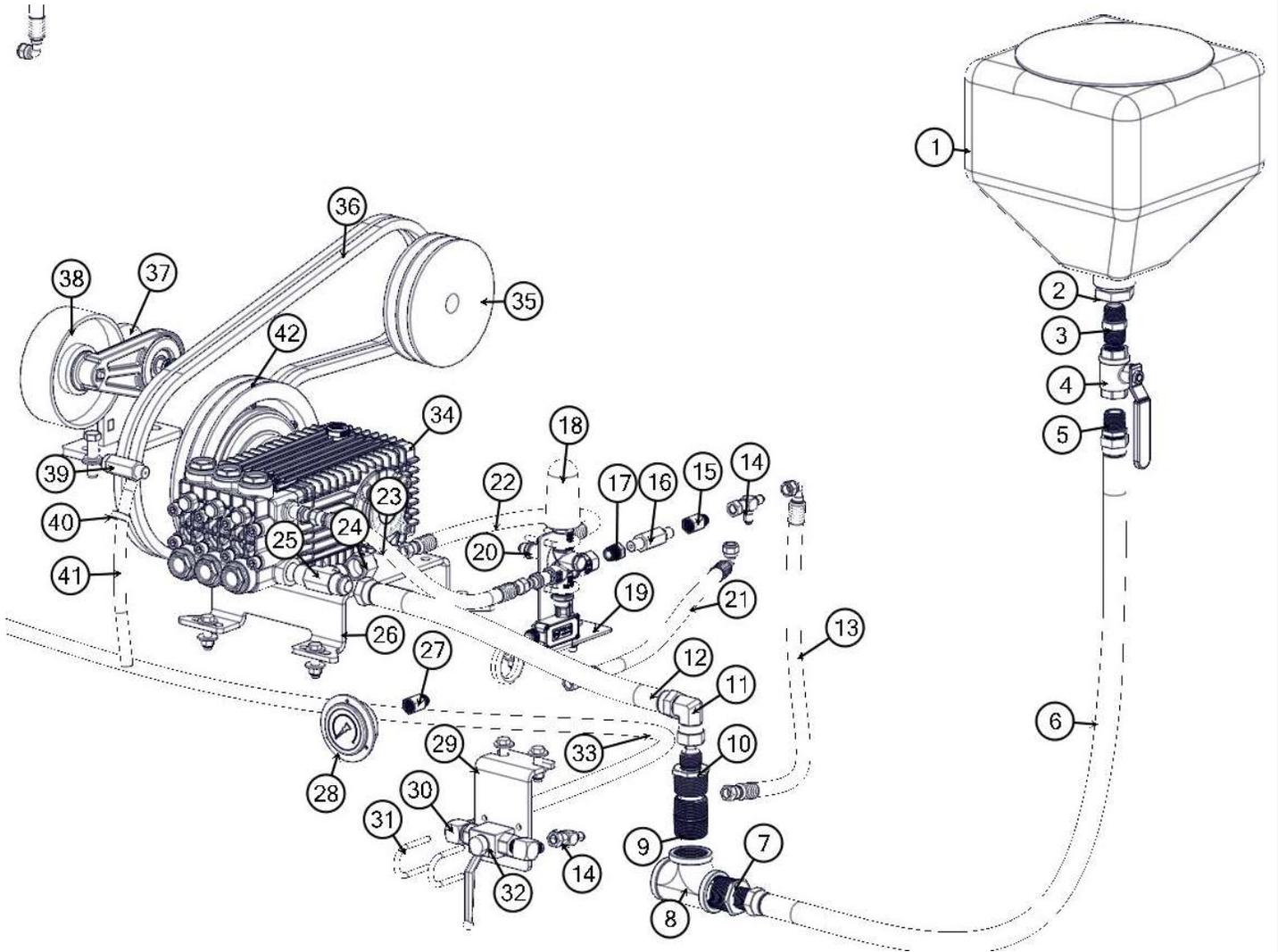
BLOWER

**RAM series parts list 4" & 6" gear diameter
for Gas, DVJ, DPJ & JV
(Refer to drawing #81881023)**

Item #	Part Name	Qty.
1	Headplate	2
2	Spray nozzle assembly	1
3	Gearbox	1
4	Timing Gears	2
5	End Cover	1
7	Gasket - Gearbox/Cover	2
10	Shims	Lot
11	Cylinder	1
12	Impeller & Shaft Drive	1
13	Impeller & Shaft Driven	1
14	Bearing Roller	4
16	Pin, Dowel (Pull Out)	4
17	Pin, Dowel	2
19	Key Square	1
21	Plug - Vent	2
22	Plug, Pipe	12
23	Screw, Cap Hex Hd.	*
27	Seal, Lip Headplate DVJ, DPJ, VJ	4
27	Seal-Mech-Viton Gas	4
28	Piston, Ring-Seal	4
29	Washer, Wavy Spring	2
31	Gear Nut	2
32	Scr, Cap Hex Hd.	16
33	Seal, Lip Drive	1
34	Brg. Clamp Plate - D. E.	2
35	Lock Washer - Spring	16
37	Oil Level Gauge	2
38	Sleeve, Shaft DVJ, DPJ, JV	4
38	Sleeve - Gas	4
40	Slinger - D.E. (Top Drive)	1
46	Slinger - G.E.	1
49	Oil Leader L/S	1
50	Oil, Leader-R/S	1
54	Brg Clamp Plate - G. E.	2
60	Screw, Cap Butt. HD.	1
64	Pin, Spring	1
66	Screw, Cap Hex HD.	*
66.1	Whispair, Spring Lock 3/8M	*
70	Shims D.E. Brg.	1
75	Screw, Cap - Hex HD.	*
76	Blower Foot - RH	2
77	Blower Foot - LH	2
85	Elb, Pipe-Black	2
85.1	Plug, Pipe	2
87	Scr, Cap BH	2
88	Anti Rotation Ball	4
90	BSHG-RDCG	2
91	Washer, Plain Flat	2
92	Washer, Plain Flat	2
93	Washer	2
94	Oil Leader	2
95	Cap Screw	4

*Quantity varies by blower.

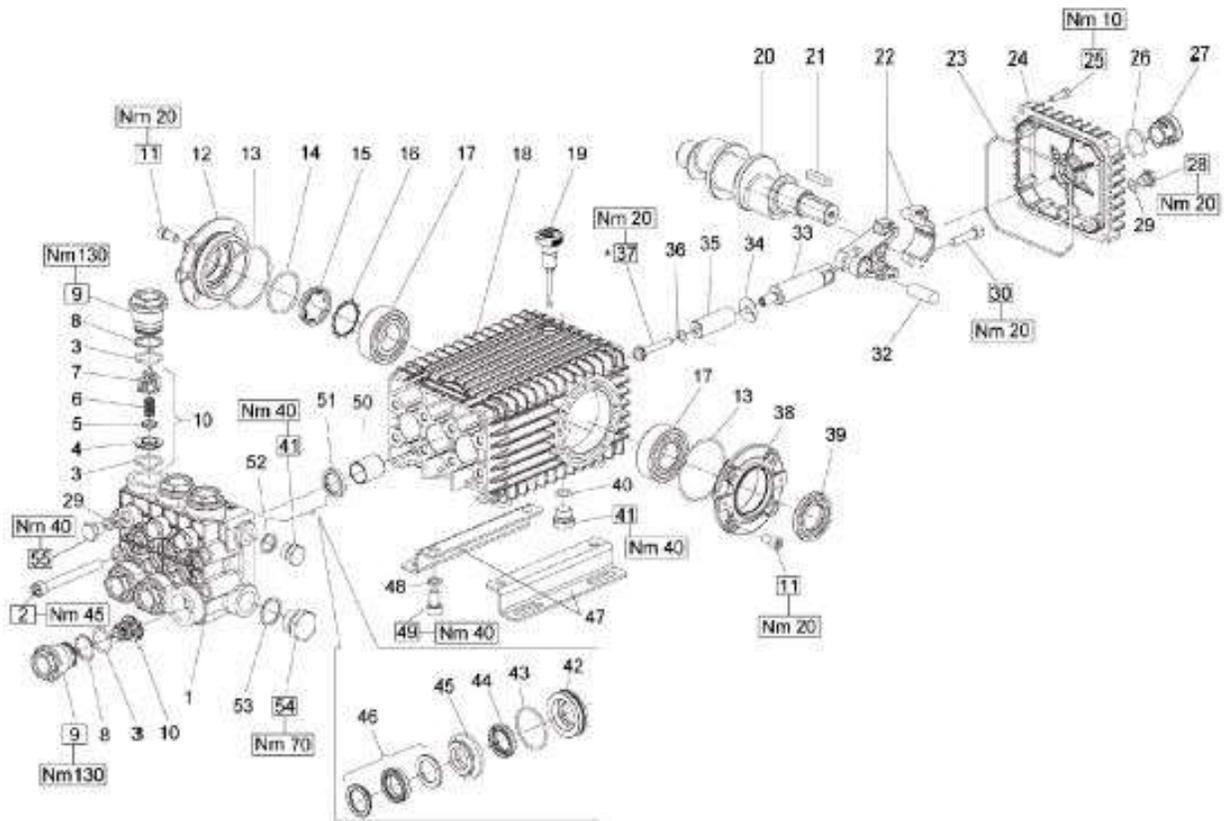
WATER PUMP ASSEMBLY



WATER PUMP ASSEMBLY

BOM ID	Qty	Description
1	1	8030394 TANK, ANTIFREEZE 4 GAL W CAP
2	1	T403100 REDUCER, 20MP-12FP
3	1	T400800 UNION, 12MP-12MP
4	1	T000185 VALVE, BALL 3/4" FNPT BRASS
5	1	T400100 UNION, 12MP-12MJ
6	1	8030539-041.00 HOSE, PUSHLOCK 12 X 41"LG
7	1	T403017 REDUCER, 20MP-12MJ
8	1	8041310 TEE, 1.25"FP ALL LEGS GALV
9	1	T421040 NIPPLE, CLOSE 1 1/4"MP X 2" BLACK
10	1	T403017 REDUCER, 20MP-12MJ
11	1	T401628 ELBOW, 90 12FJ-12MJ
12	1	8030539-020.00 HOSE, PUSHLOCK 12 X 20"LG
13	1	8093435 HOSE ASSY VAC 6-31" ST-90
14	2	T402153 TEE, 6FJ-6MJ-6MJ
15	1	8031126 REDUCER, 4FP-6MJ
16	1	8030923 FILTER, WATER HIGH PRESSURE
17	1	T400023 REDUCER, 6MP-4FP
18	1	8048979 VALVE, UNLOADER BLUE W/SWITCH
19	1	8093220 MOUNT, UNLOADER ENGINE PLATE
20	3	T400028 UNION, 6MP-6MJ
21	1	8043960 HOSE ASSY AVC 6-17" ST-90
22	1	8093444 HOSE ASSY VAC 6-14" ST-90
23	1	8091323 HOSE ASSY VAC 6-14" ST-ST
24	1	T403134 REDUCER, 3/4"FJ - 3/8"MJ
25	1	T402025 TEE, 12MP-12MJ-12MJ
26	1	8095995 PLATE, WATER PUMP MOUNT
27	1	8031126 REDUCER, 4FP-6MJ
28	1	8030372 GAUGE, 5000PSI 2.5"LF CBM
29	1	8040670 BRACKET, BALL VALVE
30	2	T401102 ELBOW, 90 6MP-6MJ
31	4	U010017 U-BOLT, .250-20
32	1	8030351 VALVE, BALL 3/8" RATE 3K PSI
33	1	8049023 HOSE ASSY VAC 6-370" ST-90 (TANK CLEANOUT)
34	1	8047941 PUMP, WATER TSF2021 8.5GPM 3600PSI
35	1	8040697 SHEAVE, 6.55"OD - SDS 2 GROOVE
36	2	8049162 BELT, BP57 PREDATOR
37	1	8095969 WELDMENT, 8GPM BELT TENSIONER BRACKET
38	1	8096205 AUTO TENSIONER FLAT FACED PULLEY
39	1	8030340 VALVE RELIEF WATER PRESET 4700 PSI
40	1	U800015 CLAMP, HOSE SIZE 04 - 5/8"
41	1	T300020-010.00 HOSE, #4 X 10"LG
42	1	8096060 CLUTCH, 9.75" PITCH DIA.

WATER PUMP TSF2021



TORQUE SPECS*

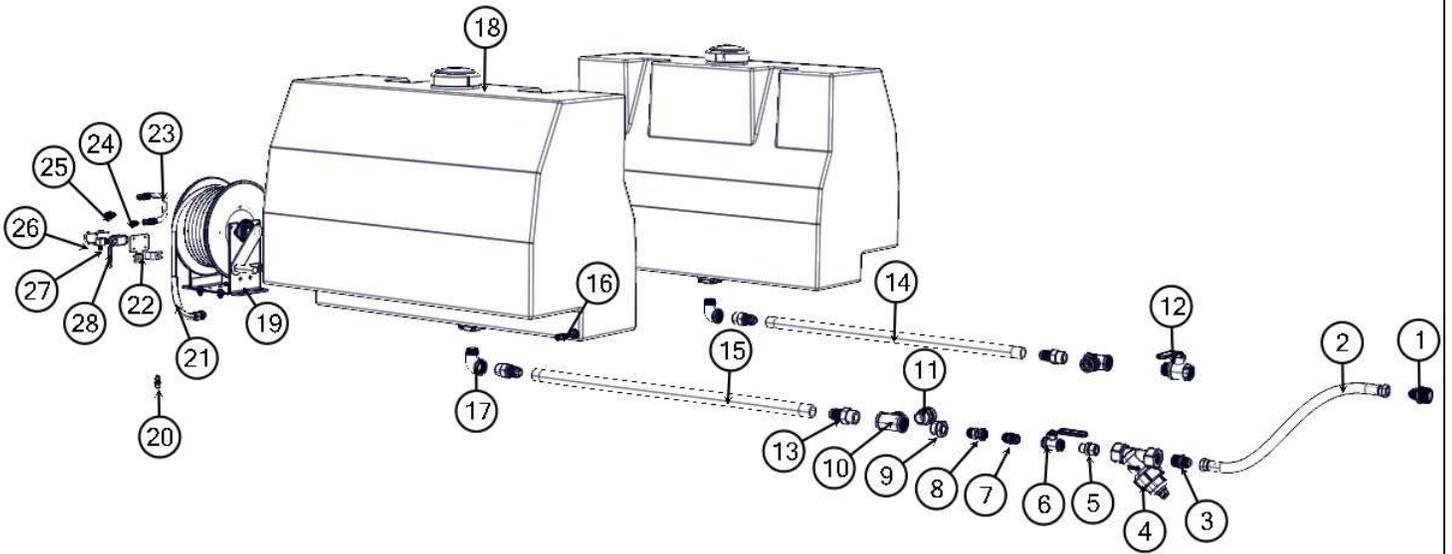
*Decrease torque by 20%
if threads are lubricated

POS.	Nm	Ft/lb
2	45	33.2
9	130	95.9
11	20	14.8
25	10	7.4
28	20	14.8
30	20	14.8
37**	20	14.8†
41	40	29.5
49	40	29.5
54	70	51.6
55	40	29.5

WATER PUMP TSF2021

ITEM	QTY.	PART #	DESCRIPTION	ITEM #S INCL'D IN KIT	NO. OF ASSY IN KIT	NO. OF CYL KIT WILL SERVICE
1	1	8047941-1	Manifold, 20mm			
2	8	8047941-2	Headbolt, M10 x 90			
3	12	8047941-3	O-ring, 23.81 x 2.62			
4	6	8047941-4	Seat, Valve			
5	6	8047941-5	Seat, Poppet			
6	6	8047941-6	Valve Spring 10 x 18 x 18.5			
7	6	8047941-7	Guide, Valve			
8	6	8047941-8	Anti-ext ring 24.7 x 29 x 1.5			
9	6	8047941-9	Plug, M32 x 1.5 x 29.5			
10	6	8047941-10	Valve Assembly Complete			
11	8	8047941-11	Screw, M8 x 16			
12	1	8047941-12	Cover			
13	2	8047941-13	O-ring, 67.95 x 2.62			
14	1	8047941-14	O-ring, 39.34 x 2.62			
15	1	8047941-15	Oil Sight Glass			
16	1	8047941-16	Retainer Clip			
17	2	8047941-17	Bearing			
18	1	8047941-18	Crankcase			
19	1	8047941-19	Dip Stick			
20	1	8047941-20	Crankshaft, 19mm Stroke			
21	1	8047941-21	Key, 9 x 7 x 35			
22	3	8047941-22	Connecting Rod, Complete			
23	1	8047941-23	O-ring 133.02 x 2.62			
24	1	8047941-24	Rear Cover			
25	4	8047941-25	Screw, M6 x 20			
26	1	8047941-26	O-ring 26.58 x 3.53			
27	1	8047941-27	Oil Indicator			
28	1	8047941-28	Plug, G1/4" x 9			
29	4	8047941-29	O-ring .426 x .070			
30	6	8047941-30	Screw, M8 x 35			
32	3	8047941-32	Wrist Pin, 14 x 39			
33	3	8047941-33	Pisten Guide			
34	3	8047941-34	Flinger Washer			
35	3	8047941-35	Plunger (20 mm)			
37	3	8047941-37	Screw, Plunger			
38	1	8047941-38	Side Cover			
39	1	8047941-39	Seal Shaft			
40	1	8047941-40	O-ring, 13.95 x 2.62			
41	2	8047941-41	Plug 3/8 x 13			
42	3	8047941-42	Seal Retainer 20mm			
43	3	8047941-43	O-ring, 34.65 x 1.78			
44	3	8047941-44	LP Seal 20mm			
45	3	8047941-45	Intermed. Ring 20mm			
46	3	8047941-46	HP Seal 20mm			
47	2	8047941-47	Pump Rail			
48	4	8047941-48	Washer M10			
49	4	8047941-49	Screw, M10 x 18			
50	3	8047941-50	Guide Bushing			
51	3	8047941-51	Seal, Plunger Rod			
52	1	8047941-52	Gasket, Al. 3/8"			
53	1	8047941-53	Washer			
54	1	8047941-54	Plug, G3/4" x 16			
55	3	8047941-55	Plug 1/4" x 13			
KIT #						
8047941-KIT170				44, 46	3	3
8047941-KIT171				42,43,44,45,46	1	1

WATER TANK ASSEMBLY

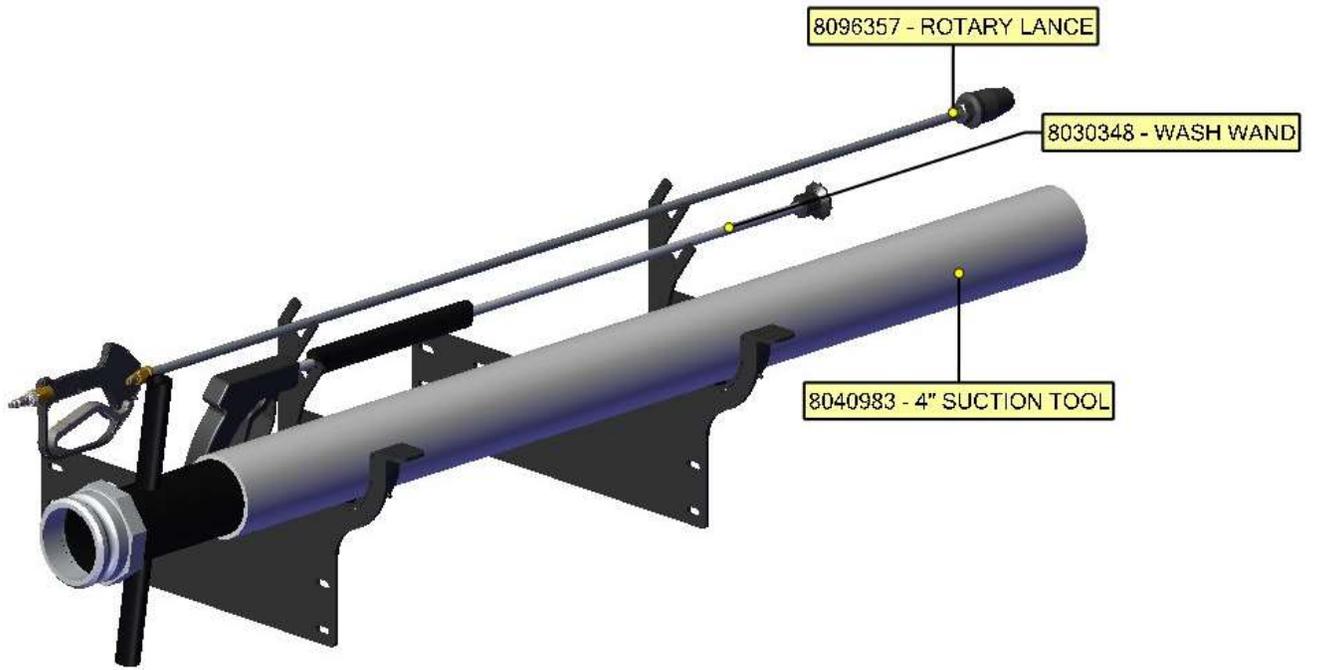


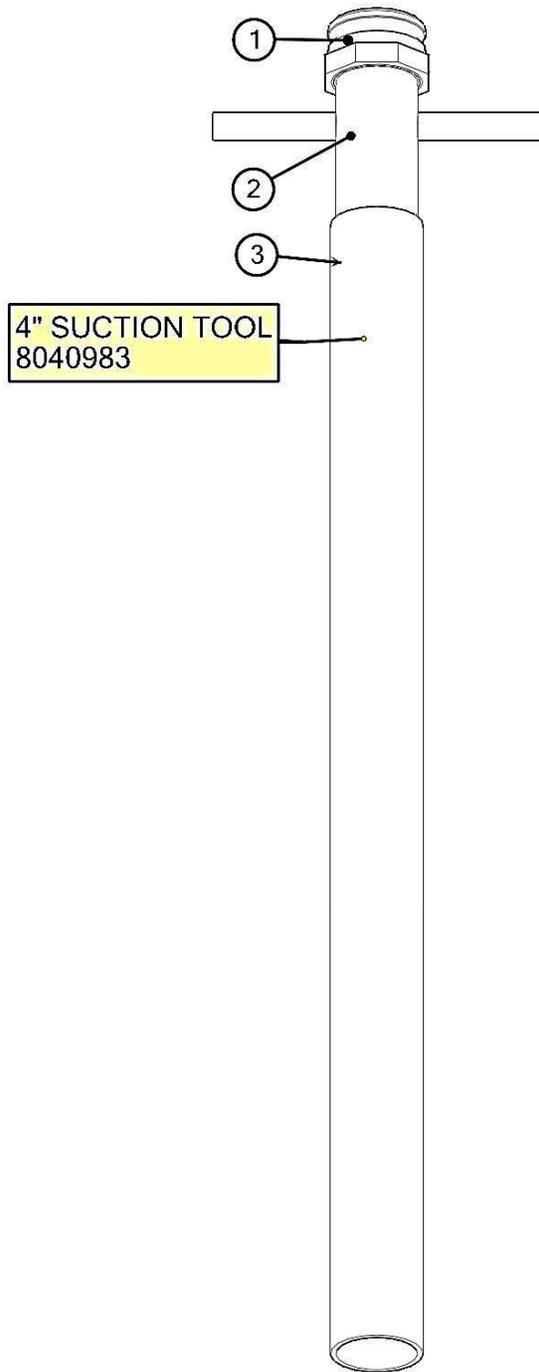
WATER TANK ASSEMBLY

BOM ID	Qty	Description
1	1	T403017 REDUCER, 20MP - 12MJ
2	1	T300140-023.44 HOSE, #12 X 23 7/16"LG
3	1	T400450 REDUCER, 16MP - 12MJ
4	1	8040186 STRAINER, Y 1" BANJO
5	1	T404060 REDUCER, 16MP - 12MP
6	1	T000185 VALVE, BALL 3/4" FNPT BRASS
7	1	T400100 UNION, 3/4"MP - 3/4"MJ
8	1	T400101 UNION, 3/4"FJ - 3/4"MP
9	1	T403100 REDUCER, 20MP - 12FP
10	2	8041310 TEE, 1.25 FP ALL LEGS GALV.
11	2	8045203 UNION, 1 1/4"MP - 1 1/4"FP SWIVEL
12	1	8045813 VALVE, BALL 1 1/4" M X F BRASS
13	4	8041312 FITTING, 1 1/4"MP - 1 1/4"HB
14	1	8041308-045.19 HOSE, CLEAR 1 1/4"ID X 45 3/16"LG
15	1	8041308-045.06 HOSE, CLEAR 1 1/4"ID X 45 1/16"LG
16	1	8090896 SWITCH, WATER LEVEL (HORIZ) W/DEUT DT 2 CAV PLUG
17	2	8041311 ELBOW, 90 1.25 STREET EL GALVAN
18	2	8046162 TANK, WATER 125 W/BOTTOM DRAIN
19	1	8030879 REEL ONLY WATER HANNAY 3/8" X 75'
20	1	8091356 QUICK DISCONNECT 3/8" MALE X MALE
21	1	8041830 HOSE ASSY 3/8" X 50' 4000 PSI
22	1	8046740 BRACKET, BALL VALVE
23	1	8044147 HOSE ASSY VAC 6 - 10" ST-ST
24	1	T400037 UNION, 6MB - 6MJ
25	1	T400029 REDUCER, 8MP - 6MJ
26	2	U010017 U-BOLT, .250-20
27	1	T401102 ELBOW, 90 6MP - 6MJ
28	1	8030351 VALVE, BALL 3/8" RATE 3K PSI

PAGE LEFT BLANK

VACUUM TOOLS LAYOUT





TOOLS**SUCTION TOOL**

BOM ID	Qty	Name
1	1	8030844 COUPLING, BANJO 4"
2	1	8040981 VAC TOOL HANDLE ASSEMBLY 4"
3	1	8040982 TUBE, VACUUM PVC 4"

8091356 - QUICK DISCONNECT, MALE 3/8
MUST ORDER SEPARATELY

ROTARY LANCE
8096357



BOM ID	Qty	Name
1	1	8048567 GUN, SPRAY STRAIGHT
2	1	8043765 TUBE, CHROME 1/4NPT 60"LG
3	1	8042691 NOZZLE, ROTATING 080

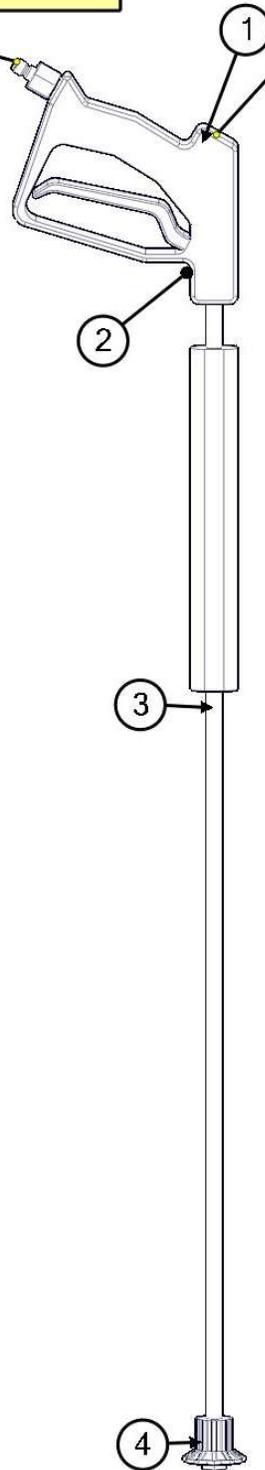
* NOT SHOWN
 8092777 ROD RETAINING ASSEMBLY, TOOL STORAGE

TOOLS

WASH WAND

8091356 - QUICK DISCONNECT, MALE 3/8
MUST ORDER SEPARATELY

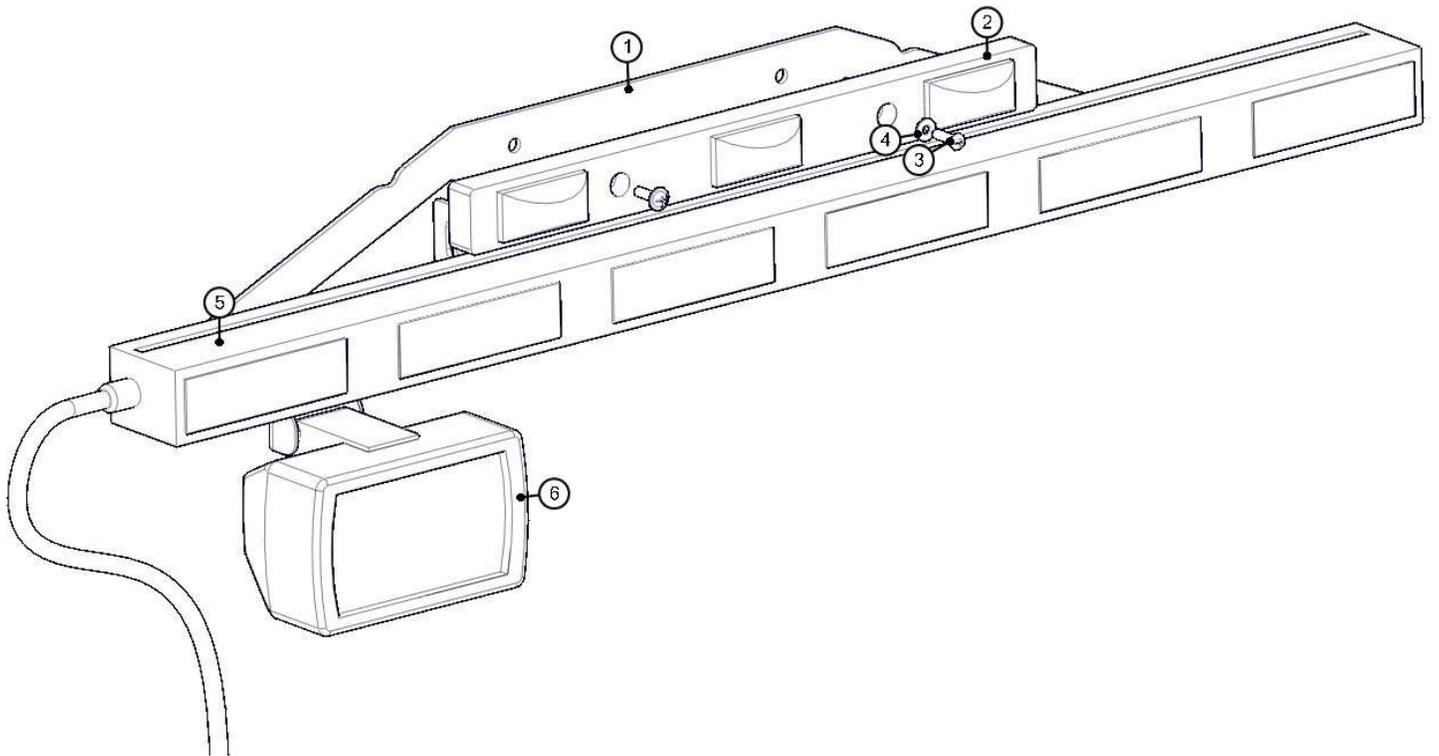
WASH WAND
8030348



BOM ID	Qty	Name
1	1	8030348 WAND COMPLETE
2	1	8030928 TRIGGER ASSEMBLY
3	1	8030847 WAND
4	1	8031303 NOZZLE, #10 40DEG
5	1	8091383 STORAGE, TOOL PVC 2 1/2 X 48"LG

* NOT SHOWN

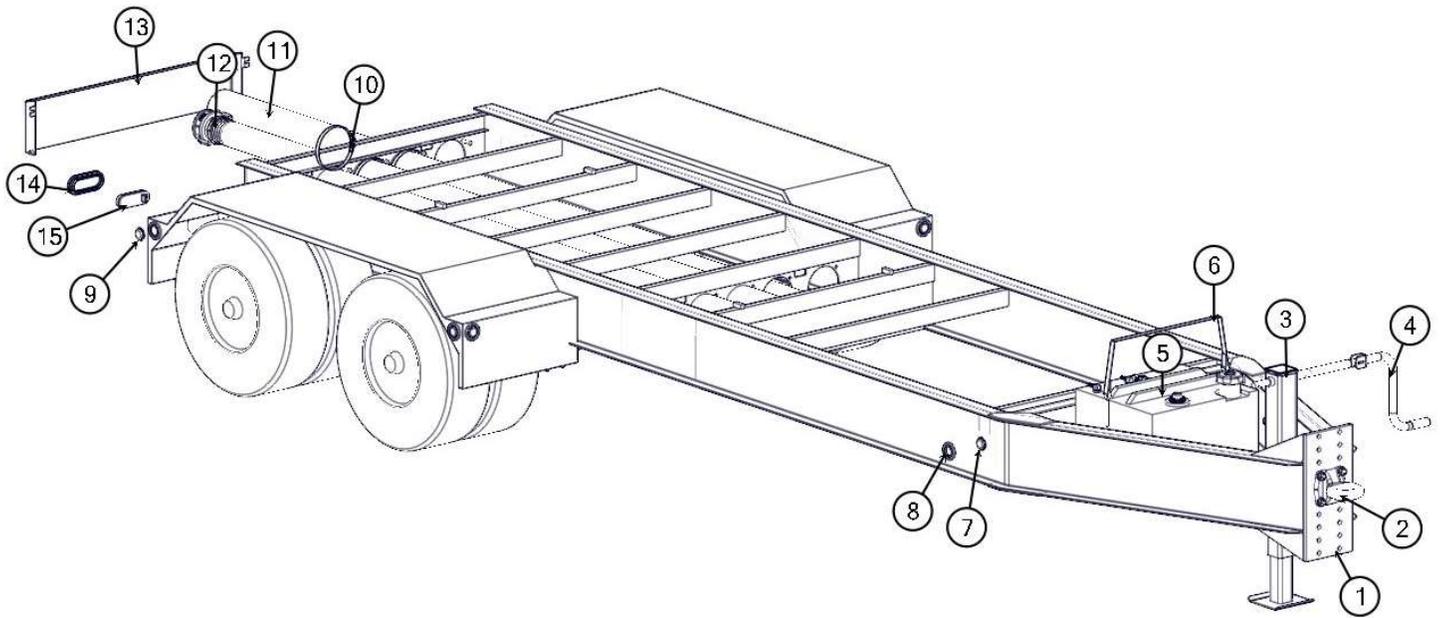
1 8092777 ROD RETAINING ASSEMBLY, TOOL STORAGE



BOM ID	Qty	Description
1	1	8093908 BRACKET, LIGHT DIRECTIONAL (BOOM)
2	1	8041509 LIGHT, TANK CLEARANCE 3 BAR
3	2	U030809 SCREW, PAN HD PHIL 10-24 X .75
4	4	U200001 WASHER, FLAT #10
5	1	8093914 LIGHT, DIRECTIONAL LED NO CONTROL W/PLUG
6	1	8043138 LIGHT, WORK VAC TRAP DEUTSCH

OPTIONS

JETTER ASSEMBLY TRAILER



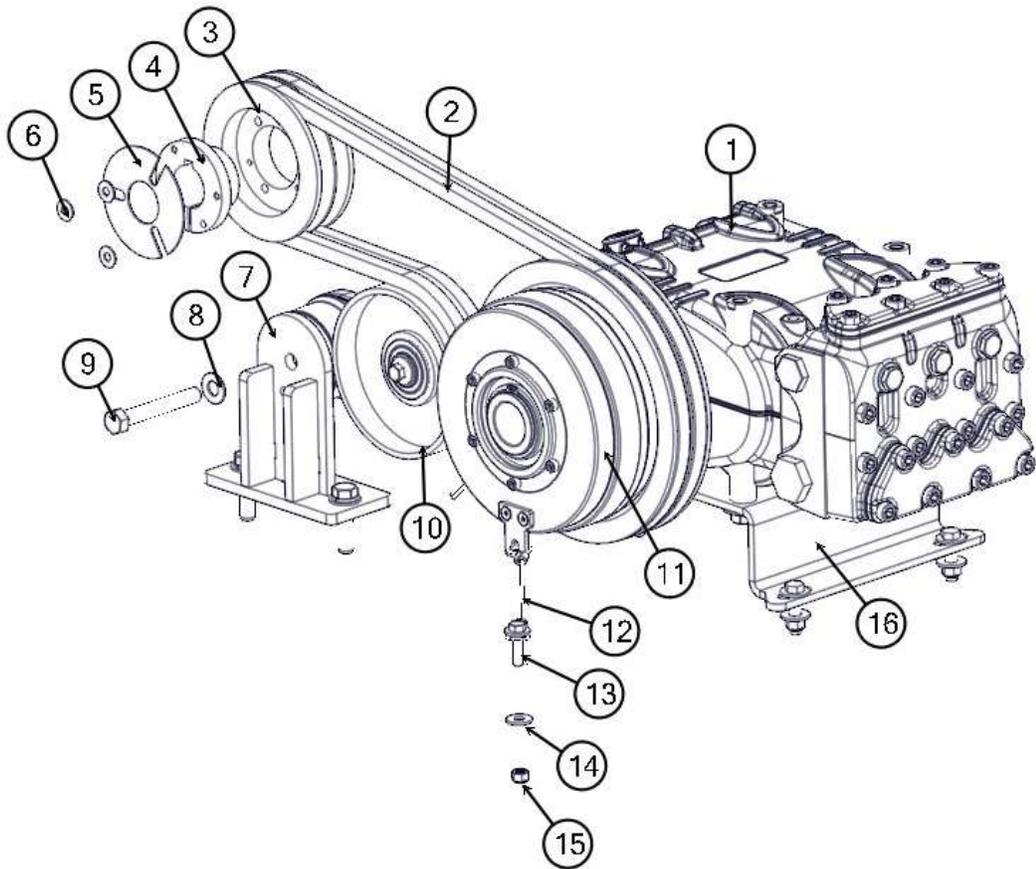
OPTIONS

JETTER ASSEMBLY TRAILER

BOM ID	Qty	Description
1	1	8043785 TRAILER, I-BEAM 1226
2	1	8045366 PINTLE EYE (4 BOLT)
3	1	8043548 JACK, MANUAL
4	1	8043984 HANDLE, JACK MANUAL
5	1	8042380 TANK, FUEL PLASTIC 22 GAL DIESEL
6	1	8043359 STRAP, EYEBOLT 1" X 49.5" OAL
7	6	8044000 LIGHT, TRAILER 2" MARKER YELLOW
8	10	8044002 GROMMET, LIGHT 2in RUBBER
9	4	8043999 LIGHT, TRAILER 2" MARKER RED
10	3	8093153 CLAMP HOSE T-BOLT 750
11	3	8041102 HOSE STORAGE 6" X 10'
12	3	8041100 HOSE ASSY VAC 4" X 10' W/CAMS
13	1	8044809 TAILGATE COVER I-BEAM TRAILERS
14	2	8091471 GROMMET,LIGHT OVAL LED
15	2	8091470 LIGHT, TRAILER OVAL LED_RED

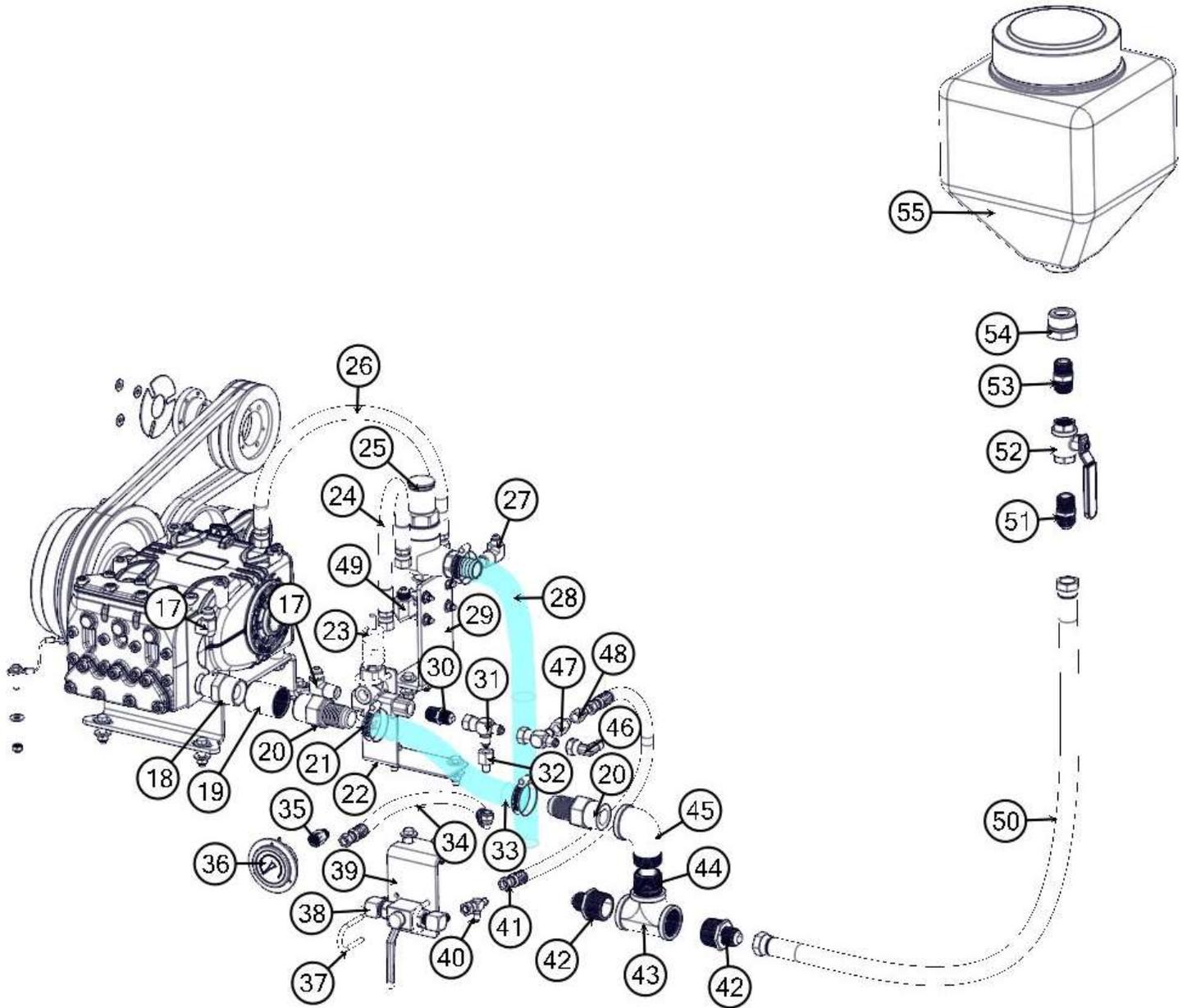
*NOT SHOWN

8046100	2	AXLE
8046110	1	BRAKE ASSEMBLY (LH)
8046111	1	BRAKE ASSEMBLY (RH)
8046107	4	MAGNET KIT
8046109	2	ADJUSTER KIT (RH)
8046100-02	2	ADJUSTER KIT (LH)
8046108	2	SHOE KIT (RH)
8046100-03	2	SHOE KIT (LH)
8046098	4	TIRE, ST 215 X 75 R17.5
8045369	4	WHEEL, 17.5 X 6.75



OPTIONS

JETTER ASSEMBLY WATER PUMP



OPTIONS

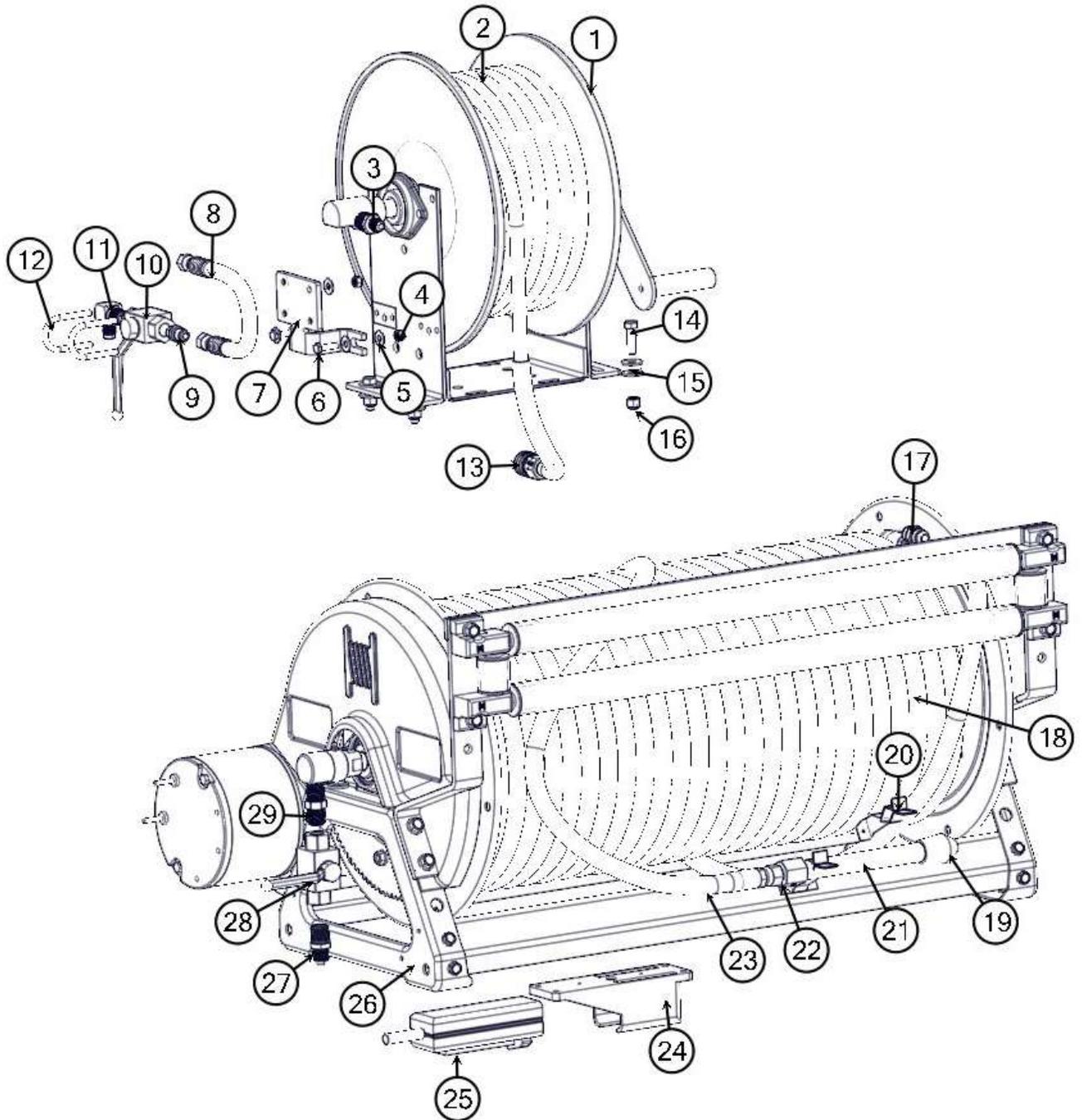
JETTER ASSEMBLY WATER PUMP

BOM ID	Qty	Description
1	1	8042352 PUMP, WATER KF24A
2	2	8049066 BELT, BP55
3	1	8090884 SHEAVE 5.53" DIA QD2/5V5.50
4	1	8040960 BUSHING, SDS 1 7/16"
5	1	8048364 RETAINER FOR 1 1/2" BUSH HOIF
6	3	U200020 WASHER, FLAT .250 ZP
7	1	8095960 WELDMENT, TENSIONER BELT BRACKET
8	2	U200110 WASHER, FLAT .500 ZP SAE HARD
9	1	U001655 SCREW, HC 12MM X 1.75 X 90MM G8.8
10	1	8096205 PULLEY, AUTO TENSIONER FLAT FACED
11	1	8092240 CLUTCH, FRICTRIC 30MM SHAFT 9.75 DR SHFAVF
12	1	X110010 CABLE, COATED 3/32"OD X 10"LG
13	1	U000220 SCREW, HC .312-18 X 1.25 ZP G5
14	2	U200040 WASHER, FLAT .312 ZP
15	1	U110040 NUT, HEX .312-18 NY ZP G2
16	1	8096495 MOUNT, WATER PUMP JETTER
17	2	T401140 ELBOW, 90 8MP-8MJ
18	1	T400018 REDUCER, 1"WP - 1 1/4"MP
19	1	T422080 COUPLING, PIPE 1 1/4"FP
20	2	8041312 FITTING, 1 1/4"MP - 1 1/4"HB
21	3	8040677 CLAMP, HOSE 1 1/4 - 2 1/8 IID
22	1	8093220 MOUNT, UNLOADER ENGINE PLATE
23	1	8030341 VALVE, UNLOADER GREEN SPRING
24	1	8096554 HOSE ASSY VAC 8 - 18" ST-ST
25	1	8040550 VALVE, SAFETY RELIEF KF24A
26	1	8096231 HOSE ASSY VAC 8 - 22"LG ST-ST
27	1	T401135 ELBOW, 90 8MP-6MJ
28	1	8090497 HOSE VAC CLEAR VINYL 1 1/4 - 20"LG
29	1	8096520 BRACKET, RELIEF VALVE
30	1	T400040 UNION, 8MP-8MJ
31	2	T402155 TFF, 8FJ-8MJ-8MJ
32	1	T400705 REDUCER, 8FJ-6MJ
33	1	8096553 HOSE VAC CLEAR VINYL 1 1/4 - 13"LG
34	1	8093442 HOSE ASSY VAC 6 - 15" SI-90
35	1	8031126 REDUCER, 4FP-6MJ
36	1	8030372 GAUGE, 5000 PSI 2.5" LF CBM
37	6	U000017 U-BOLT .250-20
38	2	T401102 ELBOW, 90 6MP-6MJ
39	1	8040670 BRACKET, BALL VALVE
40	1	T402153 TEE, 6FJ-6MJ-6MJ
41	1	8093417 HOSE ASSY VAC 6 - 26"LG ST-ST
42	2	T403017 REDUCER 20MP-12MJ
43	1	8041310 TEE, 1.25 FP ALL LEGS GALVANIZE
44	1	T421040 NIPPLE, CLOSE 1 1/4"WP BLK
45	1	8041311 ELBOW, 90 1.25 STREET EL GALVAN
46	1	T401525 ELBOW, 90 8FJ-8MJ
47	1	T400705 REDUCER, 8FJ-6MJ
48	1	8042267 ORIFICE 6MJ-6FJ .094"
49	1	T401160 ELBOW, 90 12MP-8MJ
50	1	8030539-041.00 HOSE, PUSHLOCK 12 X 41"LG
51	1	T400100 UNION, 12MP-12MJ
52	1	T000185 VALVE, BALL 3/4" FNPT BRASS
53	1	T400800 UNION 12MP-12WP
54	1	T403100 REDUCER 20MP-12FP
55	1	8030394 TANK,ANTIFREEZE 4 GALL W_CAP

OPTIONS

JETTER ASSEMBLY

HOSE REEL

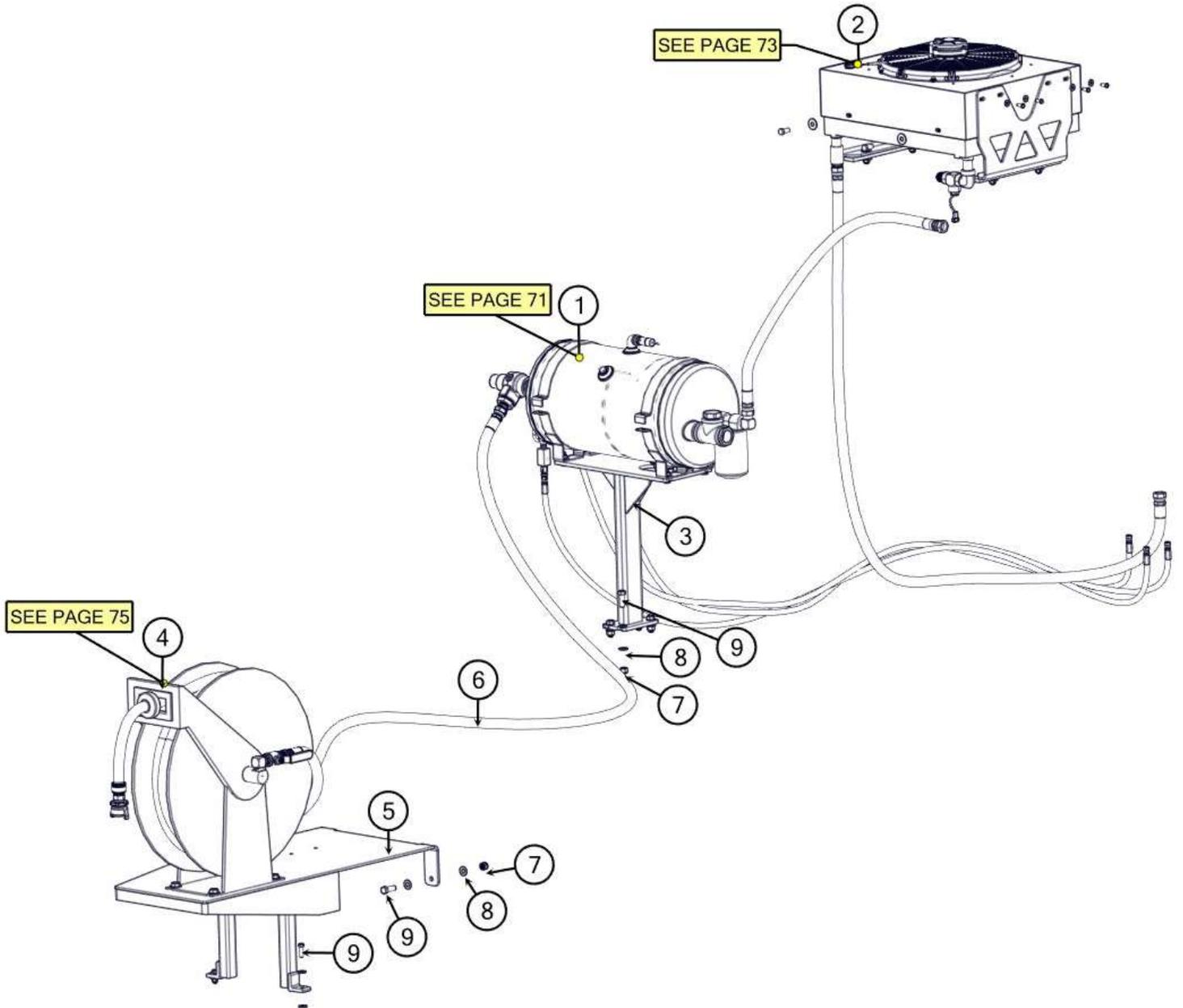


OPTIONS

JETTER ASSEMBLY

HOSE REEL

BOM ID	Qty	Description
1	1	8030879 REEL ONLY WATER HANNAY 3/8 X 75'
2	1	8041830 HOSE ASSY 3/8" X 50' 4000PSI
3	1	T400029 REDUCER, 8MP - 6MJ
4	2	U120000 NUT, LOCK NY .250-20 ZP G2
5	8	U200020 WASHER, FLAT .250 ZP
6	2	U000060 SCREW, HC .250-20 X 1.00 ZP G5
7	1	8046740 BALL VALVE BRACKET
8	1	8046703 HOSE ASSY VAC 6-12" ST-ST
9	1	T400037 UNION, 6MB - 6MJ
10	1	8030351 VALVE, BALL 3/8" 3K PSI
11	1	T401102 ELBOW, 90 6MP - 6MJ
12	2	U010017 U-BOLT, .250-20
13	1	8091355 QUICK DISCONNECT 3/8" FEMALE
14	4	U000440 SCREW, HC .375-16 X 1.25 ZP G5
15	8	U200060 WASHER, FLAT .375 ZP
16	4	U110060 NUT, ST .375-16 ZP G2
17	1	T400320 UNION, 8MJ - 8MJ
18	1	8043213 HOSE, JETTER 1/2" X 485"LG 3K PSI
19	1	8040546 JETTER NOZZLE 1/2"NPT SET FOR 12 GPM 3K PSI
20	2	8040899 CLIP, TOOL HOLDER
21	1	8032013 NIPPLE, STAINLESS 1/2" MP X 8"LG
22	1	T400505 UNION, 8MJ - 8FP
23	1	8043212 HOSE, JETTER 1/2" X 15' 3K PSI
24	1	8030840 HOLSTER, FOR FENNER UNIT
25	1	8030859 HANDSET, HYD. POWER UNIT
26	1	8047371 REEL ONLY JETTER 1/2" X 500'
27	1	T400040 UNION, 8MP - 8MJ
28	1	8031197 VALVE, BALL 1/2" 3K PSI
29	1	T404020 UNION, 8MP - 8MP



BOM ID	Qty	Name
1	1	8096015 ASSEMBLY, OIL RECEIVER VX75
2	1	8096016 ASSEMBLY, OIL COOLER VX75
3	1	8096618 WELDMENT, STAND OIL RECEIVER
4	1	8096031 ASSEMBLY, AIR REEL W/ 3/4"ID X 50' LG HOSE
5	1	8096627 WELDMENT, MOUNT AW REEL
6	1	8096685 HOSE ASSY VAC 12 - 206" ST-ST (VX1200)
7	6	U160018 NUT, LOCK .500-13 NY ZP
8	12	U200110 WASHER, FLAT .500 ZP SAE HARD
9	6	U000840 SCREW, HC .500-13 X 1.50 ZP G5

6 1 8096793 HOSE ASSY VAC 12 - 170" ST-ST (VX500)

OPTIONS

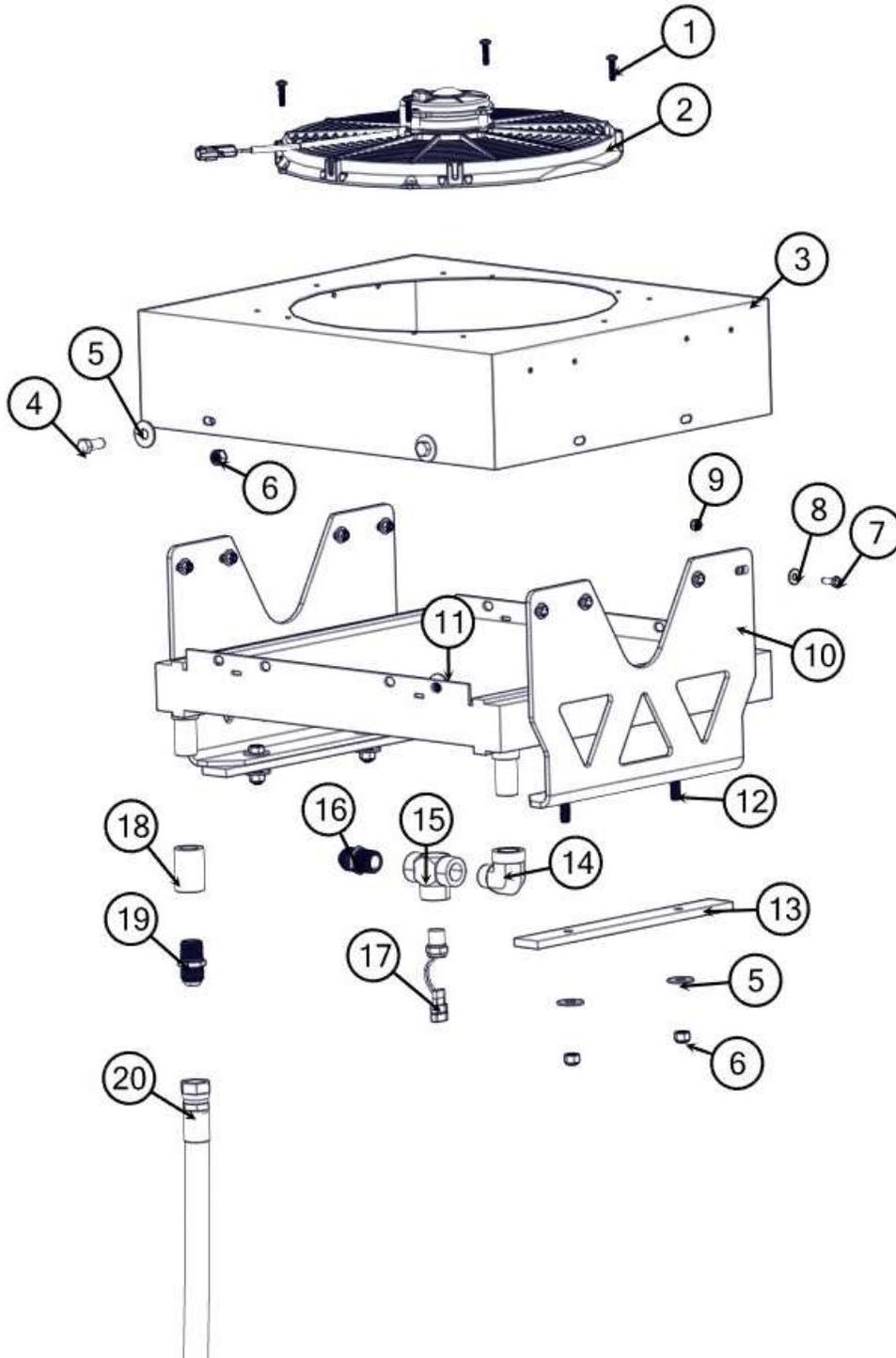
AIR/WATER ASSEMBLY
TANK



OPTIONS

**AIR/WATER ASSEMBLY
TANK**

BOM ID	Qty	Name
1	1	8044347-1 TANK (ONLY)
2	3	T401100 ELBOW, 90 4MP - 4MJ
3	1	T402221 TEE, 1 1/4"FP - 8FP - 1 1/4"FP
4	1	T421213 NIPPLE, STD 1 1/4"MP X 2 1/2"
5	1	8044347-4 TUBE, SEPARATOR DRAIN W/FITTING
6	2	8044347-7 ORFICE, HEX .047 DIA
7	1	8044347-3 VALVE, PRESSURE MINIMUM AIR
8	1	T403100 REDUCER 20MP-12FP
9	1	T400100 UNION, 12MP - 12MJ
10	1	8096685 HOSE ASSY VAC 12-206" ST-ST
11	1	T402010 TEE, 4FJ - 4MJ - 4MJ
12	1	T401060 ELBOW, 90 4MP - 4FP
13	1	8046948 VALVE, CHECK 1/4 MNPT
14	1	8046947 GLASS, SIGHT 1/4" FPT
15	1	8046949 ORFICE, FILTER
16	1	T400020 UNION 4MP_4MJ
17	1	8096687 HOSE ASSY VAC 12-88" ST-ST
18	1	8096061 HOSE ASSY VAC 4-98" ST-ST
19	1	8096061 HOSE ASSY VAC 4-98" ST-ST
20	1	8044347-10 FILTER, ELEMENT AIR/OIL SEPARATOR
21	1	T400580 UNION 24MP - 24MJ
22	1	T420335 ELBOW, 90 1 1/2"FP PIPE 150 PSI
23	1	8043020 FILTER, OIL COMPRESSOR SPIN-ON
24	1	T401040 ELBOW, 90 12MP - 12MP
25	1	8096686 HOSE ASSY VAC 12-37" ST-ST
26	1	8044347-8 GLASS, SIGHT OIL LEVEL 1 1/2"
27	1	8044347-10 FILTER ELEMENT AIR/OIL SEPARATOR
28	1	T402224 TEE, 1"MF - 1"MF - 1"MF
29	1	8044347-6 VALVE, RELIEF 175 PSI 1/2 NPT
30	1	8044347-5 ELBOW, PIPE STREET GALV 1/2"



OPTIONS

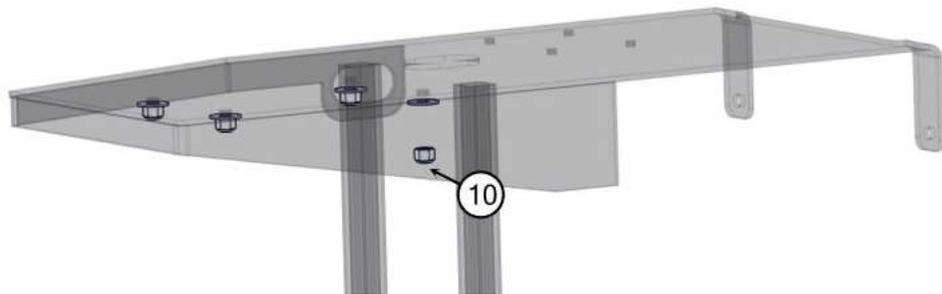
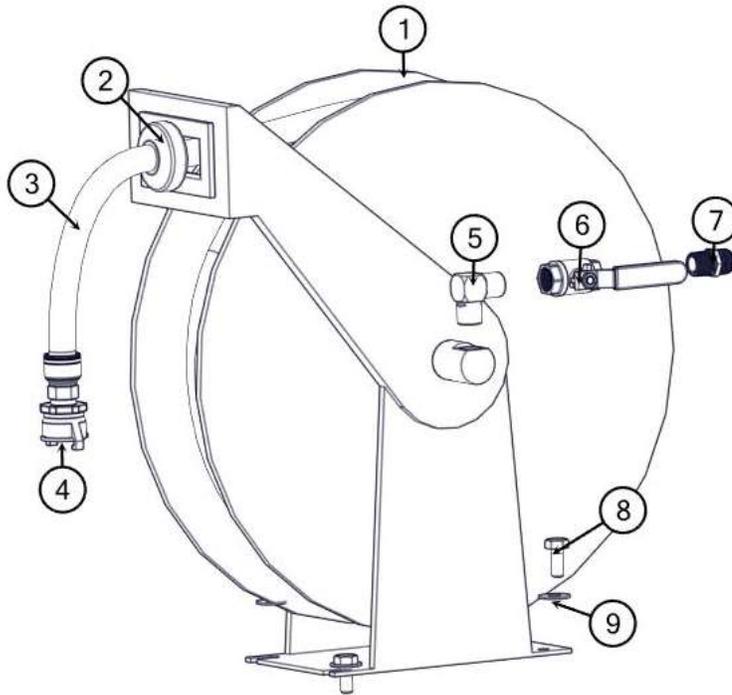
AIR/WATER ASSEMBLY

FAN

BOM ID	Qty	Name
1	4	U030851 SCREW, PAN HD PHIL 1/4-20 X 1.00
2	1	8048449 FAN, COMPRESSOR COOLER (PULLER
3	1	8048448 SHROUD COOLER A/W (PULLER FAN)
4	4	U000740 SCREW, HC .438-14 X 1.00 ZP G5
5	16	U200063 WASHER, FLAT .438 ZP
6	8	U120132 NUT, LOCK .438-14 NY
7	8	U000040 SCREW,HC .250-20X.750 ZP G5
8	16	U200020 WASHER, FLAT .250 ZP
9	8	U100020 NUT, HEX .250-20 ZP G2
10	2	8048499 BRACKET, AW COOLER (PULLER FAN)
11	1	8042496 COOLER COMPRESSOR OIL
12	4	U000780 SCREW, HC .438-14 X 1.50 ZP G5
13	2	8094295 RUBBER, CUSHION AIR COMP COOLER
14	1	T401080 ELBOW, 90 3/4 MP - 3/4 FP
15	1	T402160 TEE 12FP_12FP_12FP
16	1	T400100 UNION, 12MP - 12MJ
17	1	8043659 SWITCH, TEMP OIL COMP 185F
18	1	T430040 COUPLING, FEMALE 3/4 FNPT
19	1	T400100 UNION, 12MP - 12MJ
20	1	8042860 HOSE ASSY VAC 12-95" ST-ST

OPTIONS

AIR/WATER ASSEMBLY REEL



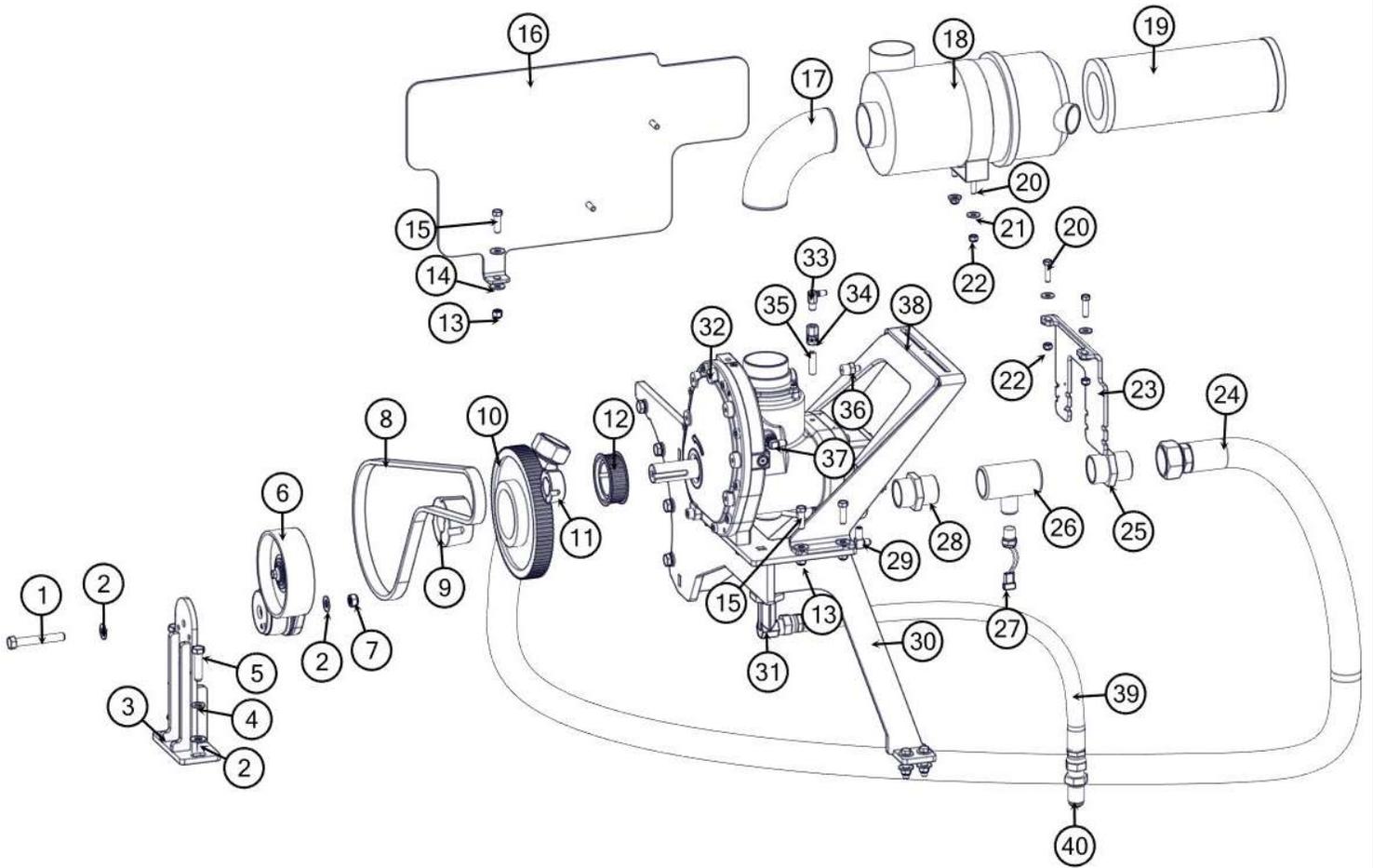
OPTIONS

**AIR/WATER ASSEMBLY
REEL**

BOM ID	Qty	Name
1	1	8046439 REEL F/ HOSE SPRGDRVN 3/4 X 50' 250 PSI
2	1	8046439-1 STOP, BALL 3/4" AIR HOSE
3	1	8043083 HOSE ASSY AIR 3/4 X 50' MP-MP
4	1	8043085 FITTING, 3/4" CHICAGO XFPT
5	1	T401040 ELBOW, 90 3/4 MP - 3/4 MP
6	1	T000185 VALVE, BALL 3/4" FNPT
7	1	T400100 UNION, 12MP - 12MJ
8	4	U000821 SCREW, HC .500-13 X 1.25 ZP G8
9	8	U200112 WASHER, FLAT .500 X 1.375 OD ZP HARD
10	4	U160018 NUT, LOCK .500-13 NY ZP

OPTIONS

AIR/WATER ASSEMBLY COMPRESSOR



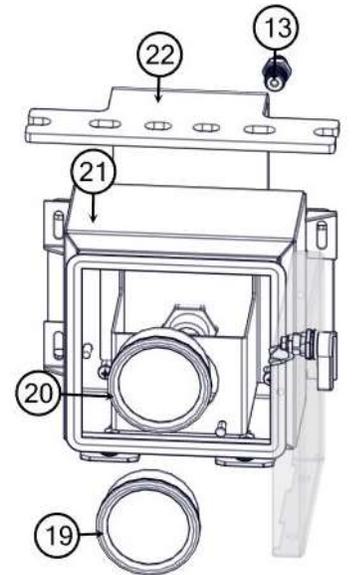
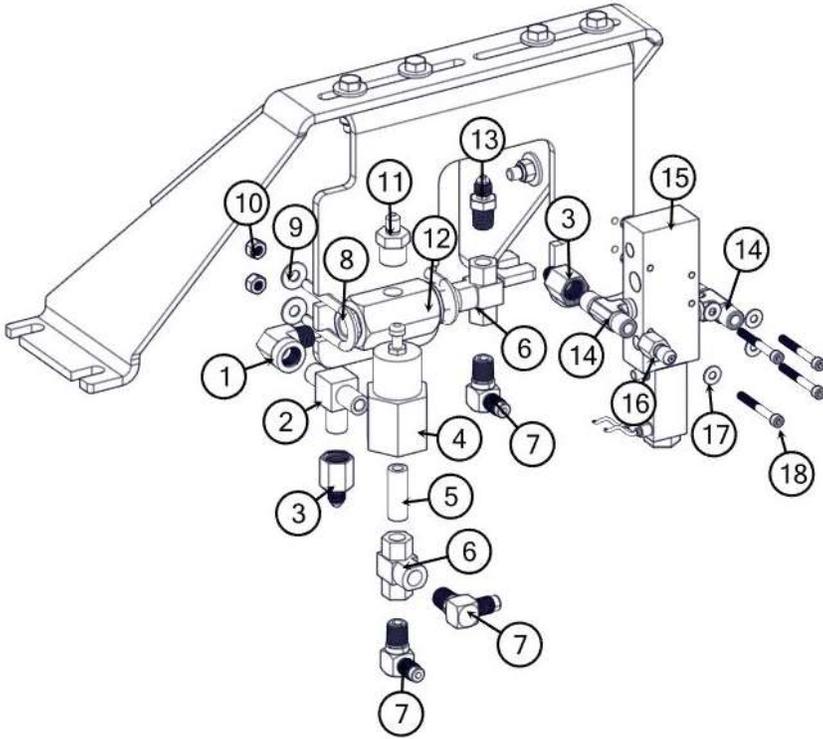
OPTIONS

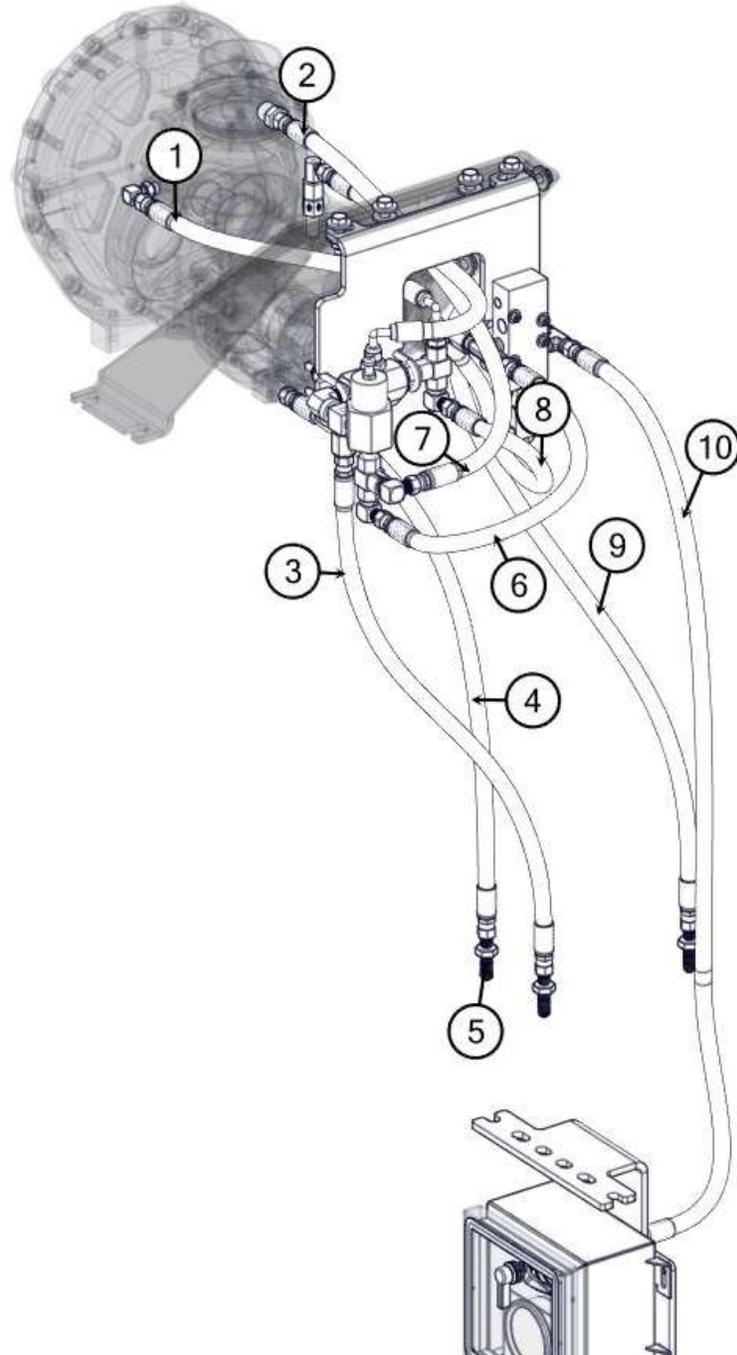
AIR/WATER ASSEMBLY COMPRESSOR

BOM ID	Qty	Name
1	1	U001655 SCREW, HC 12MM X 1.75 X 90MM G8.8
2	4	U200110 WASHER, FLAT .500 ZP SAE HARD
3	1	8096557 WELDMENT, COMPRESSOR BELT TENSIONER BRACKET
4	2	U210100 WASHER, LOCK .500 ZP
5	2	U000880 SCREW, HC .500-13 X 2.00 ZP G5
6	1	8096205 PULLEY, AUTO TENSIONER FLAT FACED
7	1	U210077 NUT, LOCK NY M12-1.75 C8.0 ZINC
8	1	8096223 BELT, VX75 COMPRESSOR
9	1	8042659 BUSHING, TL 2517 1 7/16" BORE
10	1	8045306 SHEAVE, 8MX TL 9.00 OD
11	1	8044294 BUSHING, TL 1610 32MM BORE
12	1	8044291 SHEAVE, 8MX TL 3.31 OD
13	6	U110060 NUT, ST .375-16 ZP G2
14	14	U200060 WASHER, FLAT .375 ZP
15	7	U000440 SCREW, HC .375-16 X 1.25 ZP G5
16	1	8095327 PLATE, HEAT SHIELD COMPRESSOR
17	1	8043047 ELBOW, RUBBER COMPRESSOR INTAKE
18	1	8043049 COMPRESSOR AIR FILTER HOUSING
19	1	8042977 FILTER, AIR VANAIR COMPRESSOR
20	6	U000220 SCREW, HC .312-18 X 1.25 ZP G5
21	12	U200040 WASHER, FLAT .312 ZP
22	6	U110040 NUT, HEX .312-18 NY ZP G2
23	1	8096660 BRACKET, COMPRESSOR REGULATOR
24	1	8096678 HOSE ASSY AIR 1 1/2" X 105" ST-ST
25	1	T400580 UNION, 24MP - 24MJ
26	1	T402219 TEE, 1 1/2"FP X 1 1/2"FP X 1/2"FP
27	1	8043659 SWITCH TEMP OIL COMP 185F
28	1	T400580 UNION, 24MP - 24MJ
29	1	8044263 ELBOW, 90 1/8MP 1/4MJ CHECK AND ORIFICE
30	1	8095322 WELDMENT, COMPRESSOR MOUNTING BRACKET
31	1	T401341 ELBOW, 90 3/4MB-3/4MJ
32	1	8044743 COMPRESSOR (POWERTECH MODEL)
33	1	T401095 ELBOW, 90 1/8MP-1/4MJ
34	1	8044264 VALVE CHECK IN-LINE 1/8"NPT BRASS
35	1	T421008 NIPPLE, CLOSE 1/8"
36	1	T400025 REDUCER 6MP - 4MJ
37	1	T401230 ELBOW, 90 4MB-4MJ
38	1	8094274 WELDMENT, AW WING
39	1	8096681 HOSE ASSY VAC 12-28" ST-ST
40	1	T400386 BULKHEAD, 3/4"MJ- 3/4"MJ

OPTIONS

AIR/WATER ASSEMBLY COMPRESSOR





OPTIONS**AIR/WATER ASSEMBLY
COMPRESSOR**

BOM ID	Qty	Name
1	1	8095123 HOSE ASSY VAC 4-14" ST-90
2	1	8043759 HOSE ASSY VAC 4-15" ST-90
3	1	8044268 HOSE ASSY VAC 4-22" ST-ST
4	1	8043841 HOSE ASSY VAC 4-25" ST-ST
5	3	T400385 BULKHEAD, 4MJ - 4MJ
6	1	8096683 HOSE ASSY VAC 4-16"ST-ST
7	1	8096682 HOSE ASSY VAC 4-19" ST-ST
8	1	8096684 HOSE ASSY VAC 4-16" ST-90
9	1	8093410 HOSE ASSY VAC 4-30" ST-ST
10	1	8046814 HOSE ASSY VAC 4-43" ST-ST

PAGE LEFT BLANK

WARRANTY RETURN GOODS POLICY

LIMITED WARRANTY

The Manufacturer warrants its products to be free from defects in material and workmanship for a period of twelve months from the date of shipment from the factory. The Manufacturer shall not be responsible for any damage resulting to or caused by its products by reason of installation, improper storage, unauthorized service, alteration of the products, neglect or abuse, or use of the product in a manner inconsistent with its design. The warranty does not extend to any component parts not manufactured by Manufacturer; however, Manufacturer's warranty herein shall not limit any warranties made by manufacturers of component parts which extend to Buyer.

Claims for defects in material and workmanship shall be made in writing to Manufacturer within ten days of discovery of defect. Manufacturer may either send a service representative or have the product returned to its factory at Buyer's expense for inspection. Upon notification of defect, Manufacturer will issue a return goods authorization number to Buyer. The return goods authorization number must accompany the product returned. If judged by the Manufacturer to be defective in material or workmanship, the product will be replaced or repaired at the option of the Manufacturer, free from all charges except authorized transportation. Buyer shall be responsible for all maintenance services consisting of lubrication and cleaning of equipment, replacing expandable parts, making minor adjustments, and performing operating checks, all in accordance with procedures outlined in Manufacturer's maintenance literature.

THE FOREGOING WARRANTY IS IN LIEU OF ALL OTHER WARRANTIES AND NO REPRESENTATIONS, GUARANTEES, OR WARRANTIES, EXPRESS OR IMPLIED, (INCLUDING BUT NOT LIMITED TO A WARRANTY OF MERCHANTABILITY OR FITNESS FOR A PARTICULAR PURPOSE), ARE MADE BY THE MANUFACTURER IN CONNECTION WITH THE MANUFACTURE OR SALE OF ITS PRODUCTS. NO EMPLOYEE, DISTRIBUTOR, OR REPRESENTATIVE IS AUTHORIZED TO CHANGE THIS WARRANTY ON BEHALF OF MANUFACTURER.

THE REMEDIES OF BUYER SET FORTH HEREIN ARE EXCLUSIVE AND ARE IN LIEU OF ALL OTHER REMEDIES. THE LIABILITY OF MANUFACTURER WHETHER IN CONTRACT, TORT, UNDER ANY WARRANTY, OR

OTHERWISE SHALL NOT EXTEND BEYOND ITS OBLIGATION TO REPAIR OR REPLACE, AT ITS OPTION ANY PRODUCT OR PART FOUND BY MANUFACTURER TO BE DEFECTIVE IN MATERIAL OR WORKMANSHIP. MANUFACTURER SHALL NOT BE LIABLE FOR COST OF INSTALLATION AND/OR REMOVAL OR BE RESPONSIBLE FOR DIRECT, INDIRECT, SPECIAL OR CONSEQUENTIAL DAMAGES OF ANY NATURE.

GENERAL RETURNS OF MERCHANDISE

1. All returns must be pre-authorized
 - A. Please call our parts department for an RGA number
 - B. Please include RGA number on the outside of box
 - C. Include any required paper work or special instructions
 - D. Items returned without an RGA number will not be accepted
2. All returns are subject to a 20% restock charge.
3. Special items are non-returnable
 - A. Non-stock parts
 - B. Custom parts
 - C. If you are unsure about a parts status when ordering, ask your McLaughlin representative if the item fits on of the above conditions.
4. Items must be returned within thirty days of original order date.
5. Items not returned within 30 days from the date of RGA is issued will not be accepted.
6. The item(s) must be in new condition. Used item(s) are not returnable.

FOR SCHEMATICS SEE: www.mclaughlinunderground

CALIFORNIA
Proposition 65 Warning

Diesel engine exhaust and some of its constituents are known to the State of California to cause cancer, birth defects, and other reproductive harm.

CALIFORNIA
Proposition 65 Warning

Battery posts, terminals, and related accessories contain lead and lead compounds, chemicals known to the State of California to cause cancer and reproductive harm. Wash hands after handling.