



Providing Solutions Since 1921

2006 Perimeter Road. Greenville, SC 29605

Toll Free: 800/435-9340 – Phone: 864/277-5870

Fax: 864/235-9661 – Website address: www.mclaughlinunderground

Email address: mmole@mightymole.com

PARTS MANUAL

VX75-1200 BOOM

E850525

SERIAL NUMBER – 7HWA240U6JG000105 TO PRESENT

4/16/2018

2018 by McLaughlin Group, Inc.

All rights reserved. No part of this manual may be reproduced in any form, or by any means without prior written permission of McLaughlin Group, Inc.

Table of Contents

DECAL LAYOUT	7
TRAILER	14
SKID ASSEMBLY	16
SPOIL TANK ASSEMBLY.....	18
HYDRAULIC ARM ASSEMBLY.....	20
FILTRATION ASSEMBLY	22
HYDRAULIC PUMP ASSEMBLY	24
HYDRAULIC PUMP HOSE ASSEMBLY	26
BASE MANIFOLD ASSEMBLY	28
ENCLOSURE ASSEMBLY.....	30
ENCLOSURE FOAM ASSEMBLY	32
CONTROL PANEL ASSEMBLY	34
ELECTRICAL ASSEMBLY.....	36
ENGINE ASSEMBLY.....	38
BLOWER ASSEMBLY	40
WATER PUMP ASSEMBLY.....	44
WATER TANK 205GAL ASSEMBLY.....	48
VAC TOOLS.....	50
SUCTION TOOL ASSEMBLY.....	52
ROTARY LANCE ASSEMBLY.....	54
WASH WAND ASSEMBLY.....	56
ARROWBOARD ASSEMBLY.....	58
BOOM ASSEMBLY	60
JETTER ASSEMBLY	82
AIR/WATER ASSEMBLY	89
WARRANTY	104

PAGE LEFT BLANK



⚠ DANGER

ELECTROCUTION HAZARD
 Death or serious injury will result if boom approaches or touches overhead electrical power lines.
 Keep boom away from overhead utilities.
 Use caution when operating boom.

J200403

J200403

INSTRUCTIONS

GREASE POINTS

Qty	Placement	Qty	Placement
2	TANK PIVOT	2-4	TANK LIFT CYLINDERS (Depend on Model)
2	4-WAY VALVE	1	EACH AXLE HUB (Non Oil Bath Hubs)
2	MANUAL JACK	1	VACUUM/PRESSURE SELECTOR PLATE
2	ENGINE TAIL SHAFT	1	BOOM PACKING GLAND
1	SWIVEL on HOSE REEL	1	BOOM ROTATING BEARING
2	BOOM RAISE/LOWER CYLINDER	2	BOOM SLEW DRIVE (HYD. ROTATION)
2	BOOM EXTEND/RETRACT CYLINDER	1	STRONG ARM PIVOT
1	BOOM GATE VALVE CYLINDER		

J200810

J200810

⚠ WARNING

ENTANGLEMENT HAZARD
 Rotating pulleys and belts could cause serious injury.
 Do not operate without guards in place.

J200445

J200445

⚠ WARNING

Moving parts.
 Death or serious injury may result.
 Stop engine before servicing.

J200425

J200425

INSTRUCTIONS

WATER SYSTEM FREEZE PROTECTION

1. Drain water tanks and close water supply valve.
2. Start machine and open hose reel ball valve.
3. Turn the water pump ON. Open the ball valve on the antifreeze tank.
4. Hold the antifreeze switch in the UP position.
5. When antifreeze is visible from the hose reel port, release the antifreeze switch.
6. Close the hose reel ball valve.
7. Hold the antifreeze switch in the UP position until antifreeze is visible in the water tank.
8. Turn the engine OFF. Open the water supply valve and leave the antifreeze tank ball valve open.
9. Before the next startup, close the antifreeze tank ball valve.

J200483

J200483

INSTRUCTIONS

START PROCEDURE

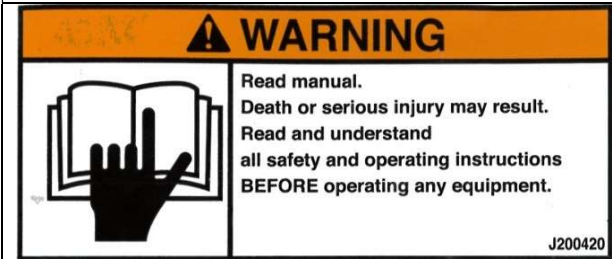
1. Fill water tank
2. Open ball valve - prime water pump
3. Open gate valve on inlet port
4. Pre-heat engine - (cold start) 15 seconds

J200484

J200484



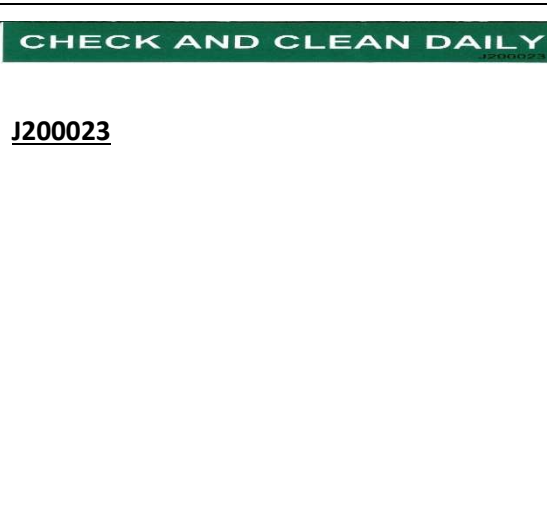
J200210



J200420



8049882





⚠ WARNING	
	<p>HIGH PRESSURE WATER Pressure wand can cause serious injury. Keep hands and feet away. Wear protective clothing.</p>

Reorder No. J200450

J200450

⚠ WARNING	
	<p>Pinch point. Serious injury may result. Keep hands clear when closing door or lowering tank.</p>

J200455

J200455

⚠ DANGER	
<p>ELECTROCUTION HAZARD Death or serious injury will result if boom approaches or touches overhead electrical power lines. Keep boom away from overhead utilities. Use caution when operating boom.</p>	

J200403

J200403

⚠ WARNING	
	<p>CRUSHING WEIGHT DEATH OR SERIOUS INJURY COULD RESULT EMPTY TANK BEFORE SERVICING ALWAYS INSTALL SAFETY BAR WHEN WORKING ON RAISED TANK</p>

J200458

J200458



⚠ WARNING	
<p>Flammable liquid. Fuel and fumes can explode or catch fire. Turn off engine BEFORE fuelling. Wipe up spilled fuel immediately.</p>	

J200440

DECAL LAYOUT

⚠ DANGER



**EXPLOSION HAZARD!
CONTENTS UNDER
PRESSURE!**
Relieve tank pressure
before opening.
Failure to comply will
result in death or
serious injury.

J200423 rev.1

J200423



⚠ DANGER



SUFFOCATION HAZARD.
Vacuum hoses will cause
death or serious injury.
Keep hoses and tools
away from face and body.

J200415

⚠ DANGER



Crushing weight.
Spoil and door will cause
death or serious injury.
Unlock door only
under vacuum.
Stay away from door
when dumping.

J200410



⚠ WARNING

**FIRE OR EXPLOSION
POSSIBLE.**
Do not vacuum
flammable or
combustible
substances.

J200415

J200415

DECAL LAYOUT



**CHECK AND CLEAN
WHEN DUMPING**
J200022

J200022



J200455



J200458



J200411

DECAL LAYOUT



 DANGER	
<p>ELECTROCUTION HAZARD Death or serious injury will result if boom approaches or touches overhead electrical power lines. Keep boom away from overhead utilities. Use caution when operating boom.</p>	
<small>J200403</small>	

J200403



 WARNING

<p>ENTANGLEMENT HAZARD Rotating pulleys and belts could cause serious injury. Do not operate without guards in place.</p>
<small>J200445</small>

J200445

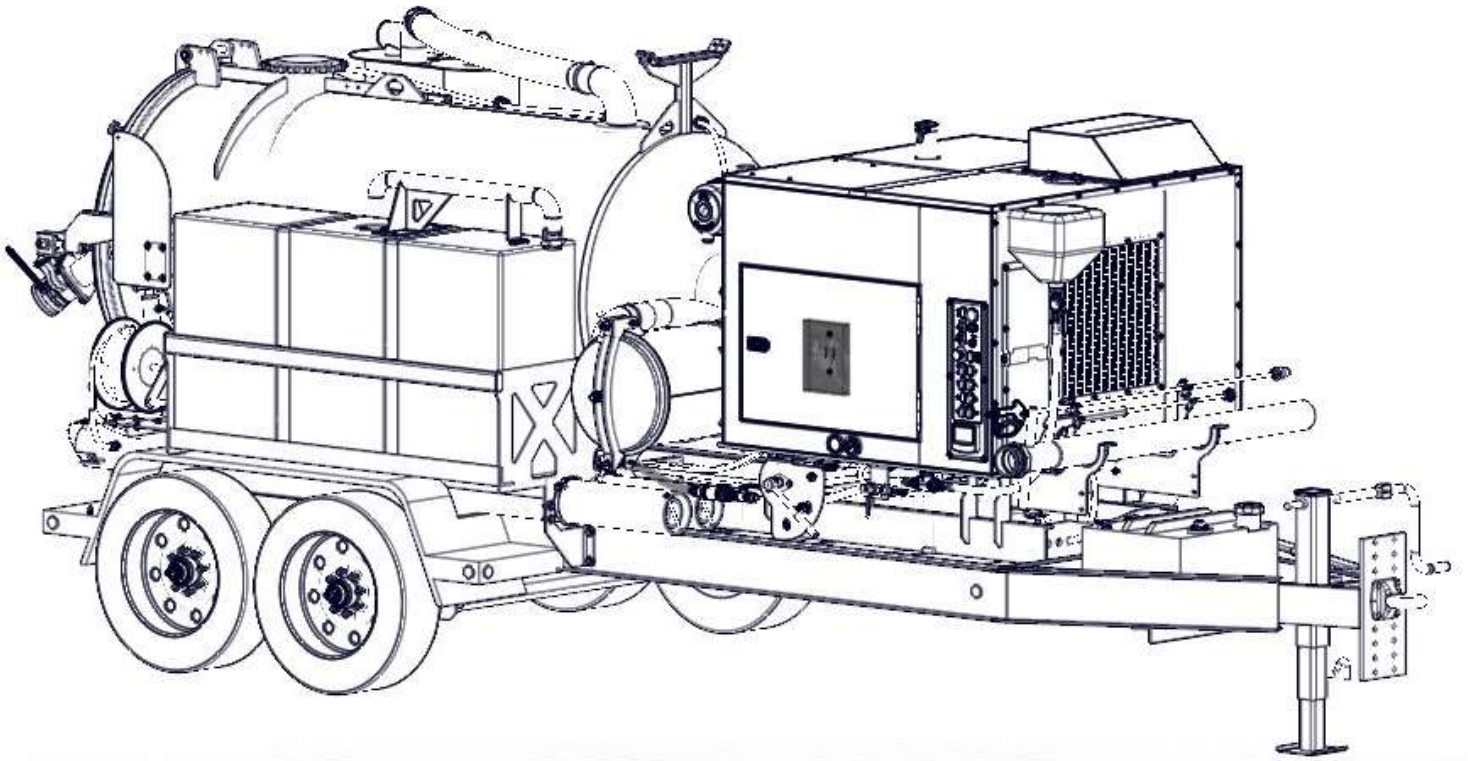
 WARNING

<p>Moving parts. Death or serious injury may result. Stop engine before servicing.</p>
<small>J200425</small>

J200425

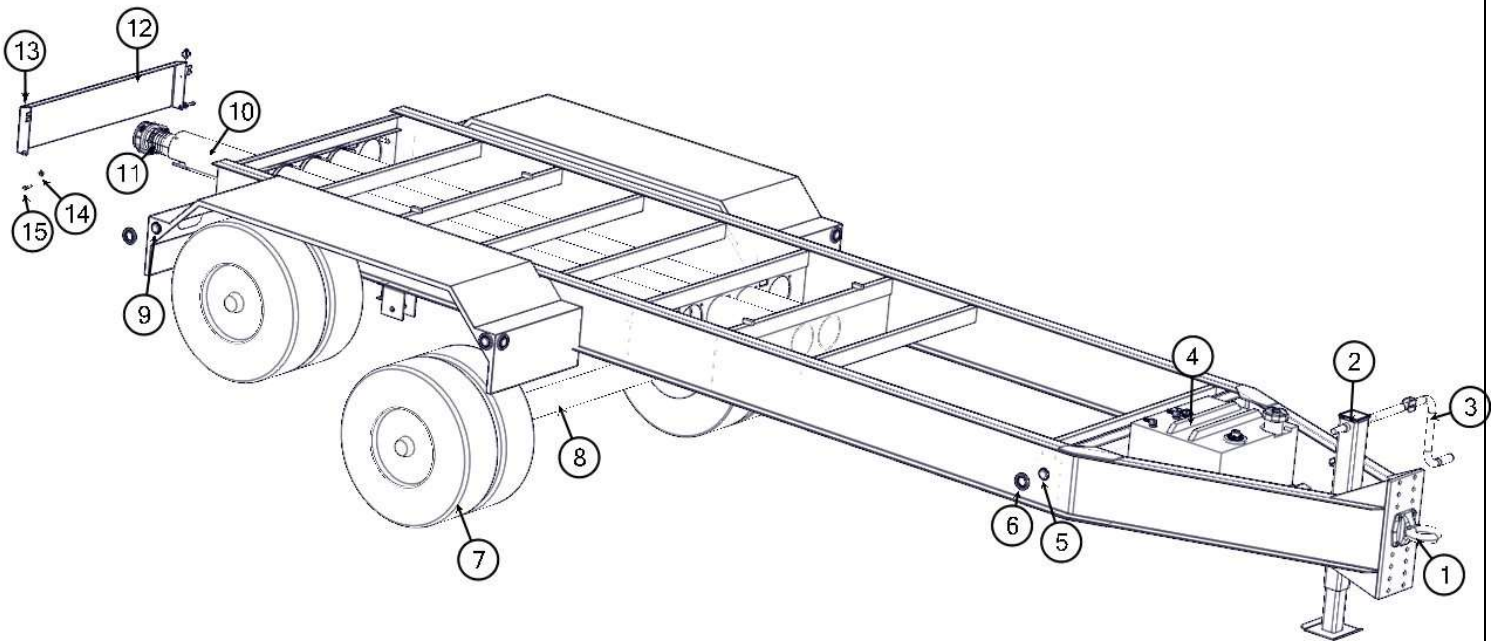
PAGE LEFT BLANK

VX75-1200 BOOM COMPLETE



PAGE LEFT BLANK

VX75-1200 TRAILER



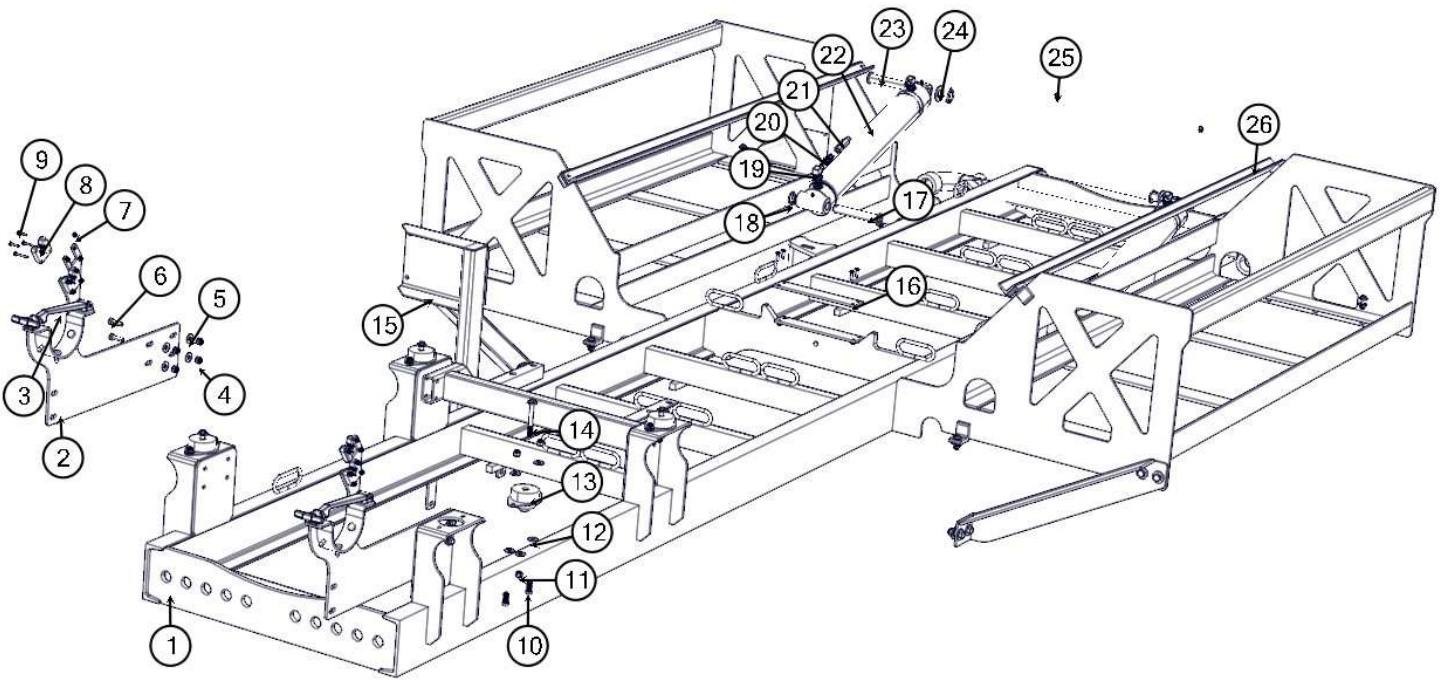
VX75-1200 TRAILER

BOM ID	Qty	Description
1	1	8045366 PINTLE EYE (4 BOLT)
2	1	8043548 JACK, MANUAL
3	1	8043984 HANDLE, JACK (MANUAL)
4	1	8042380 TANK, FUEL PLASTIC 22 GAL DIESEL W/SENDING UNIT
5	6	8044000 LIGHT, TRAILER 2" AMBER
6	9	8044002 GROMMET, LIGHT 2" RUBBER
7	8	8046098 TIRE, ST 215 X 75 R17.5
8	2	8046100 AXLE
9	4	8043999 LIGHT, TRAILER 2" RED
10	3	8041102 HOSE STORAGE 6" X 10'
11	3	8041100 HOSE ASSY VAC 4" X 10' W/CAMS
12	1	8044809 TAILGATE COVER
13	2	U340050 PIN LINCH 3/16 X 1 9/16 ZP
14	4	U200060 WASHER, FLAT .375 ZP
15	2	U000480 SCREW, HC .375-16 X 1.75 ZP G5

*NOT SHOWN

8046111	1	RH BRAKE ASSEMBLY
8046110	1	LH BRAKE ASSEMBLY
8046107	4	MAGNET KIT
8046109	2	ADJUSTER KIT (RH)
8046100-02	2	ADJUSTER KIT (LH)
8046108	2	SHOE KIT (RH)
8046100-03	2	SHOE KIT (LH)

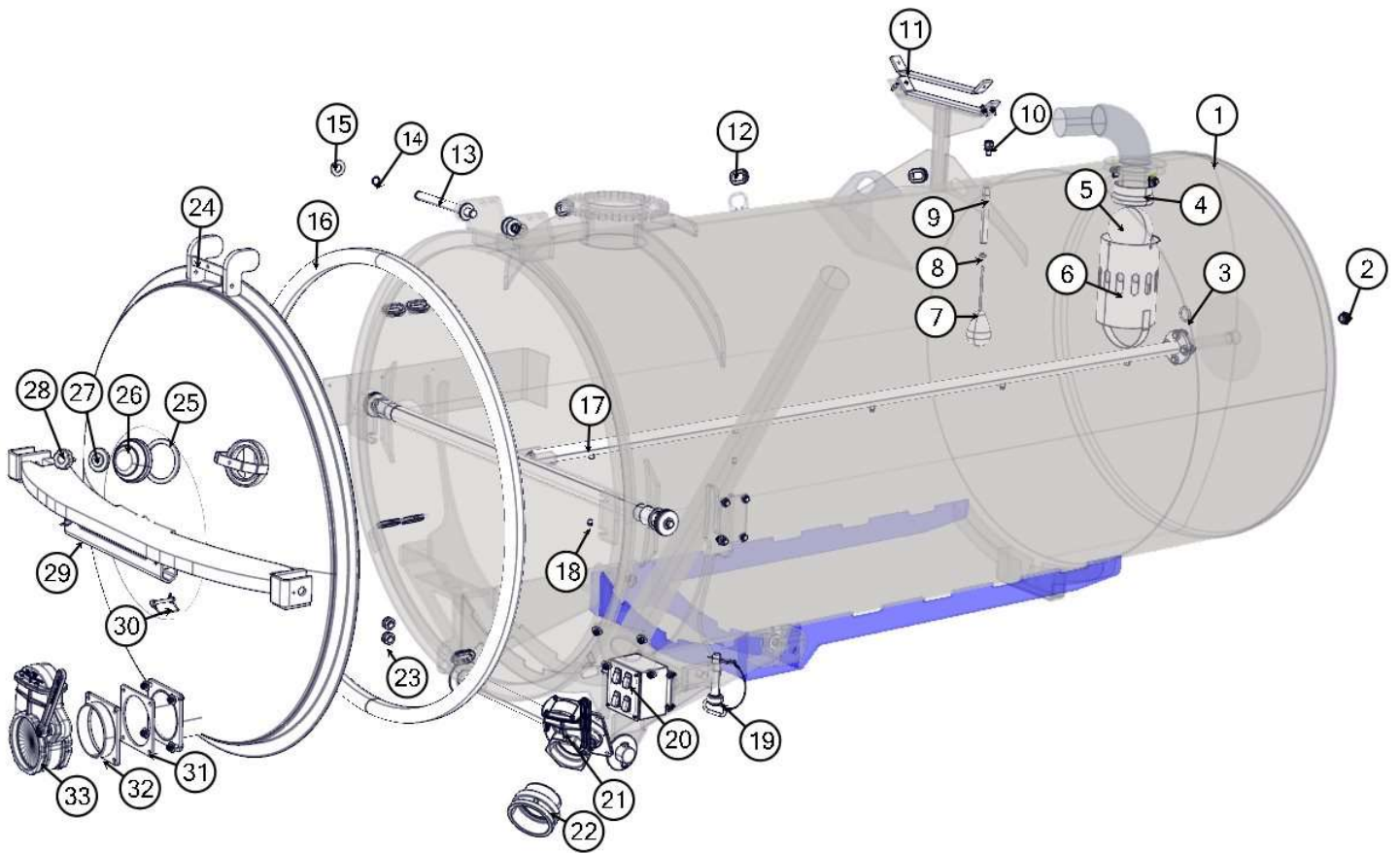
SKID ASSEMBLY



SKID ASSEMBLY

BOM ID	Qty	Description
1	1	8047211 WELDMENT, SKID V1200HD 205 WATER TANK
2	2	8095924 WELDMENT, TOOL STORAGE BRACKET
3	2	8095189 LATCH, DRAW RUBBER
4	8	U110060 NUT, ST .375-16 ZP G2
5	16	U200060 WASHER, FLAT .375 ZP
6	8	U000440 SCREW, HC .375-16 X 1.25 ZP G5
7	14	U030800 NUT, LOCK #8-32 NY
8	4	8094246 GRIPPER, WAND/LANCE
9	14	U030794 SCREW, PAN HD PHIL #8-32 X 1.00
10	8	U000420 SCREW, HC .375-16 X 1.00 ZP G5
11	12	U120110 NUT, LOCK .375-16 NY ZP
12	24	U200060 WASHER, FLAT .375 ZP
13	4	8030904 ISOLATOR VAC PP
14	4	U000580 SCREW, HC .375-16 X 3.50 ZP G5
15	1	8048384 BRACKET, HYD. VERTICAL (4 GAL)
16	1	8045787 STRIP PLASTIC TANK FOOT
17	2	8094704 PIN, CYLINDER BOSS 6.375"
18	4	U340050 PIN LINCH 3/16 X 1 9/16 ZP
19	4	T401270 ELBOW, 90 8MB-6MJ
20	2	T400036 UNION, 6MB-6FJ
21	2	8048286 VALVE CHECK VELOCITY 6.0 GPM
22	2	8043642 CYLINDER, HYD 3.5" X 20"
23	2	8092495 WELDMENT, PIN 1"DIA X 5 1/2"
24	4	U200170 WASHER, FLAT 1.00
25	2	T500060 FITTING, GREASE .125 90 DEG
26	2	8044390 WATER TANK ANGLE HOLDER

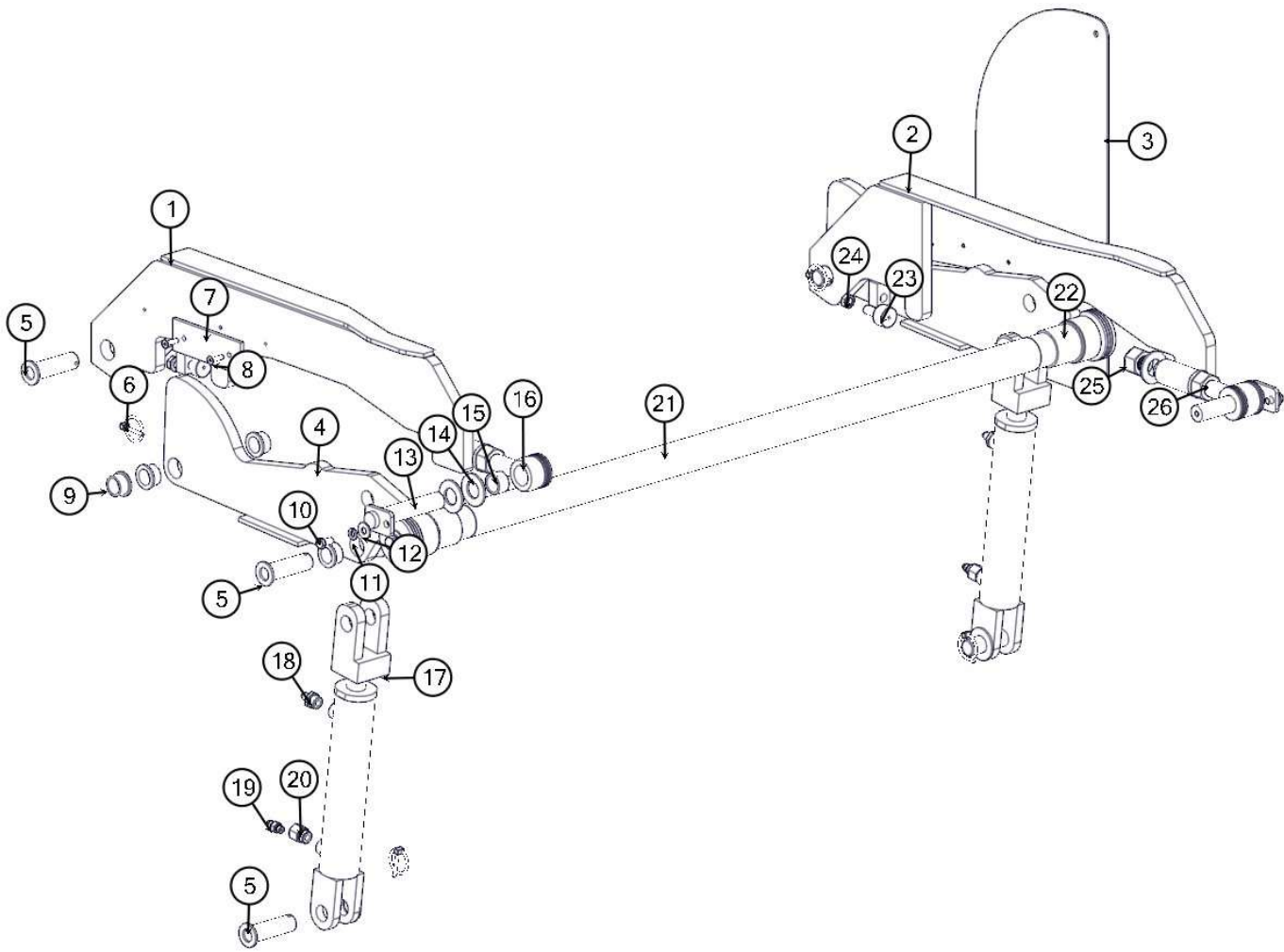
SPOIL TANK ASSEMBLY



SPOIL TANK ASSEMBLY

BOM ID	Qty	Description
1	1	8047021 WELDMENT, TANK 1200 BOOM
2	1	T400310 REDUCER, 1"MB - 3/8"MJ
3	1	8030446 O-RING #328 BUNA-N
4	1	8043571 SEAT 4" RUBBER FOR FLOAT BALL
5	1	8043570 BALL STAINLESS FLOAT 6"
6	1	8043700 BALL FLOAT SCREEN WELDMENT 4"
7	1	8030531 SWITCH FLUID LEVEL
8	1	8041291 BUSHING, RUBBER 7/8" HEAD X 21/32" BODY
9	1	8040769 TUBE, TANK FULL SWITCH 8"
10	1	X000113 STRAIN RELIEF 1/2NPT .250-.375
11	2	8047711 STRIP, RUBBER BOOM FOOT
12	7	8042812 GROMMET 2"ID X 3.0"OD X 1/4"WOG
13	1	8040058 DOOR HINGE ROD
14	2	U500020 SNAP RING, EXT 1" SHAFT ZP
15	6	U200170 WASHER, FLAT 1.00
16	1	8041767 SEAL, DOOR SQUARE 173"
17	1	8043567 TANK ROD 1200
18	4	8030369 NOZZLE, TANK CLEANOUT .20" X 40DEG X 1/4MP
19	1	8041626 COTTER PIN AND TETHER
20	1	8094207 CONTROL BOX, BOOM REMOTE
21	1	8046215 VALVE, 4" GATE BRASS LEVER FLANGE
22	1	8046445 CAMLOCK, 4" AL FCAM X MNPT
23	4	8041686 GROMMET, 1"ID X 1 1/2"OD X 1/2"WOG
24	1	8041580 DOOR, 1200 HYD LOCK
25	1	8032007 GASKET, 4" FLAT ALUM COUPLER
26	1	8031048 SIGHTGLASS, 5" GLASS ONLY
27	1	8031047 PLATE, SIGHTGLASS
28	1	8031046 SCREW, HANDWHEEL SIGHTGLASS
29	1	8091336 BRACE, TANK SAFETY
30	1	8041213 SAFETY SNAP PIN
31	1	8046191 GASKET, DOOR INLET/OUTLET
32	1	8046199 GATE VALVE TANK FLANGE 6"
33	1	8030849 VALVE, 6" GATE BRASS LEVER TYPE

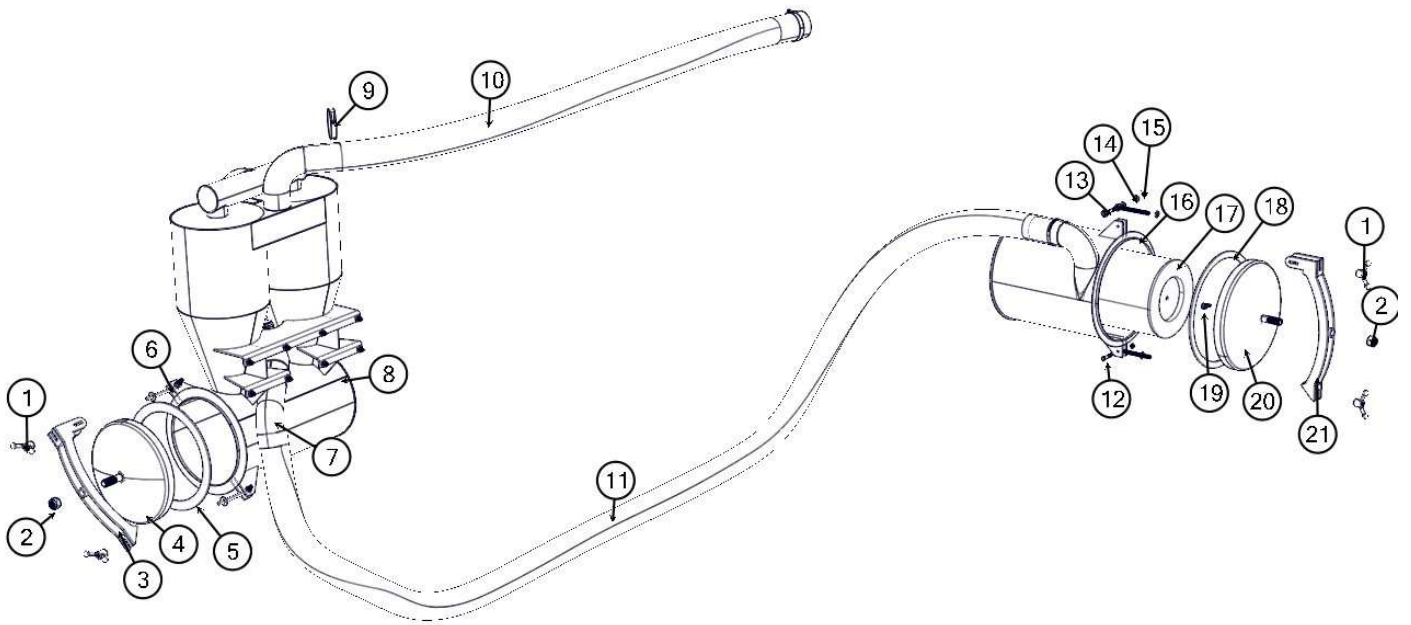
HYD ARMS ASSEMBLY



HYD ARMS ASSEMBLY

BOM ID	Qty	Description
1	1	8049765 WELDMENT, LINKAGE ARM LONG ROAD SIDE
2	1	8049763 WELDMENT, LINKAGE ARM LONG CURB SIDE
3	1	8041635 HYD ARM GUARD
4	2	8049766 WELDMENT, LINKAGE ARM SHORT
5	6	8042489 CYLINDER PIN
6	6	U340050 PIN LINCH 3/16 X 1 9/16 ZP
7	2	8049376 STRIP, PLASTIC 1/4" X 2" X 6"
8	4	U030017 SCREW, SFH .250-20 X 1.00 ZP
9	8	8041883 BUSHING BRONZE 1.25 X 1.00 X .63 FLANGED
10	2	U000400 SCREW, HC .375-16 X .75 ZP G5
11	2	U210060 WASHER, LOCK .375 ZP
12	2	U200060 WASHER, FLAT .375 ZP
13	2	8043844 CYLINDER PIN FLANGED 1" X 5 1/2"
14	14	U200170 WASHER, FLAT 1.00
15	2	8041524 BUSHING BRONZE 1.25 X 1.00 X .75 PL
16	2	8043131 ROD END 1"-8 X 7 1/2"
17	2	8041327 CYLINDER, HYD DOOR 2" X 8"
18	2	T400611 REDUCER, 8MB-4MJ
19	2	8090251 FITTING, ORIFICE .020 4MB-4MJ
20	2	T400350 REDUCER, 8MB-4FB
21	1	8090906 LINKAGE CROSS TUBE ASSEMBLY
22	2	8041602 BUSHING BRONZE 2.25 X 2.00 X 2.0 FLANGED
23	2	W000020 BEARING, CAMROL 1.25" CR 1 1/4
24	2	U160015 NUT, JAM .500-20
25	2	U120060 NUT, LOCK 1.00-8 NY ZP G2
26	2	U100240 NUT, HEX 1.00-8 ZP G2

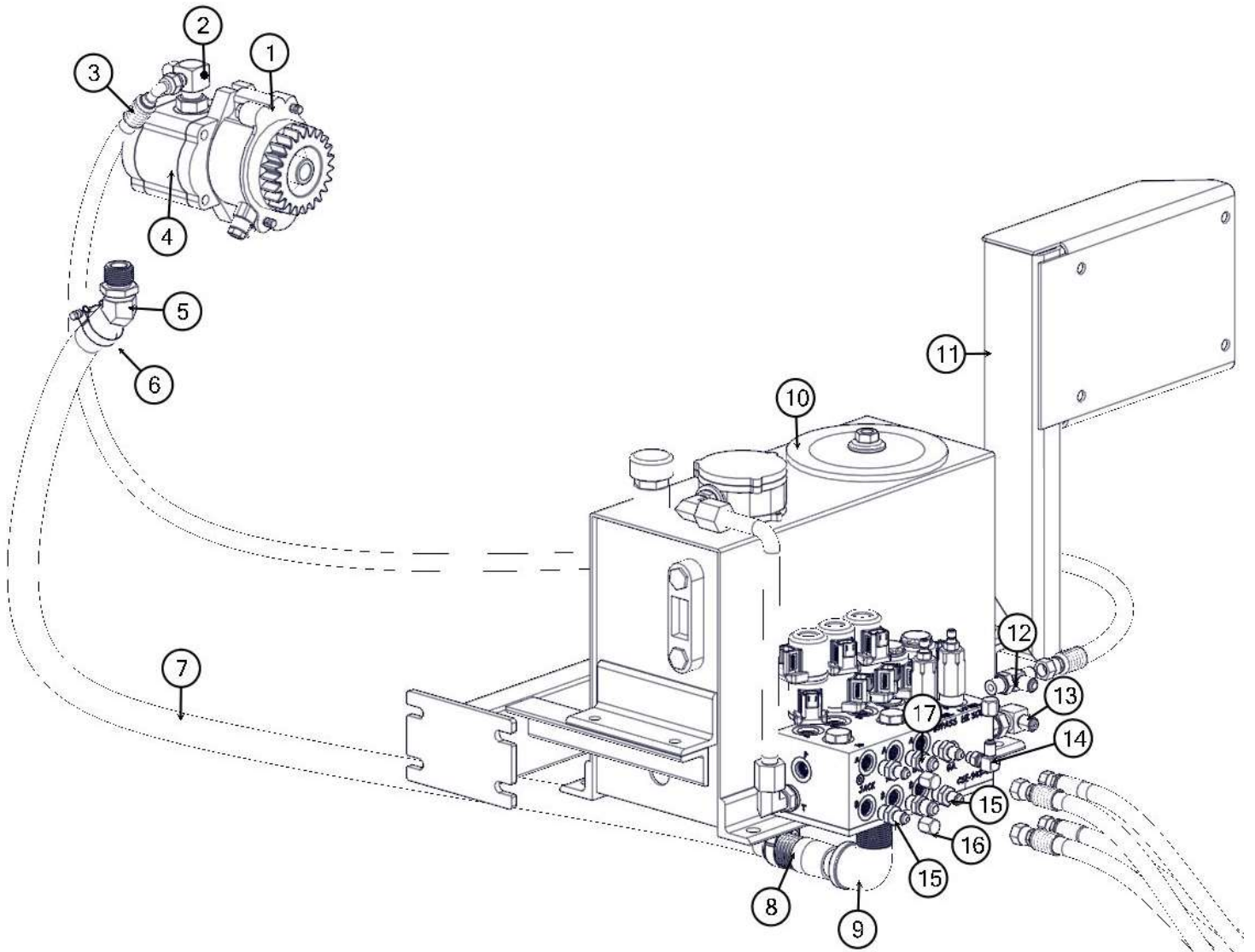
FILTRATION ASSEMBLY



FILTRATION ASSEMBLY

BOM ID	Qty	Description
1	4	8041594 HANDLE, WING .500-13
2	2	U120060 NUT, LOCK 1.00-8 NY ZP G2
3	1	8041552 LATCH, CYCLONE DOME REV FLOW
4	1	8041402 DOME, CYCLONE REV FLOW
5	1	8041612 GASKET, REV FLOW CYCLONE
6	4	8041593 BOLT, EYE 1/2-13 X 6
7	1	8095224 ASSEMBLY, EXHAUST ROUTING
8	1	8046458 CYCLONE HOUSING 1025 RF
9	4	8042606 CLAMP HOSE T-BOLT 450
10	1	8090234 HOSE VAC AG SUCTION 4-60"LG
11	1	8041597-207.00 HOSE AG SUCTION 4 X 207"LG
12	2	U000520 SCREW, HC .375-16 X 2.25 ZP G5
13	2	U000580 SCREW, HC .375-16 X 3.50 ZP G5
14	18	U200060 WASHER, FLAT .375 ZP
15	3	U120110 NUT, LOCK .375-16 NY ZP
16	1	8046338 FILTER HSG 1025 RF FLANGED
17	1	8031293 FILTER, AIR WASHABLE 1025 CFM
18	1	8041613 GASKET, REV FLOW AIR FILTER HD
19	1	U130080 NUT,WING -500-13 ZP
20	1	8041387 DOME, AIR FILTER REV. FLOW
21	1	8041554 LATCH, AIR FILTER DOME REV FLOW

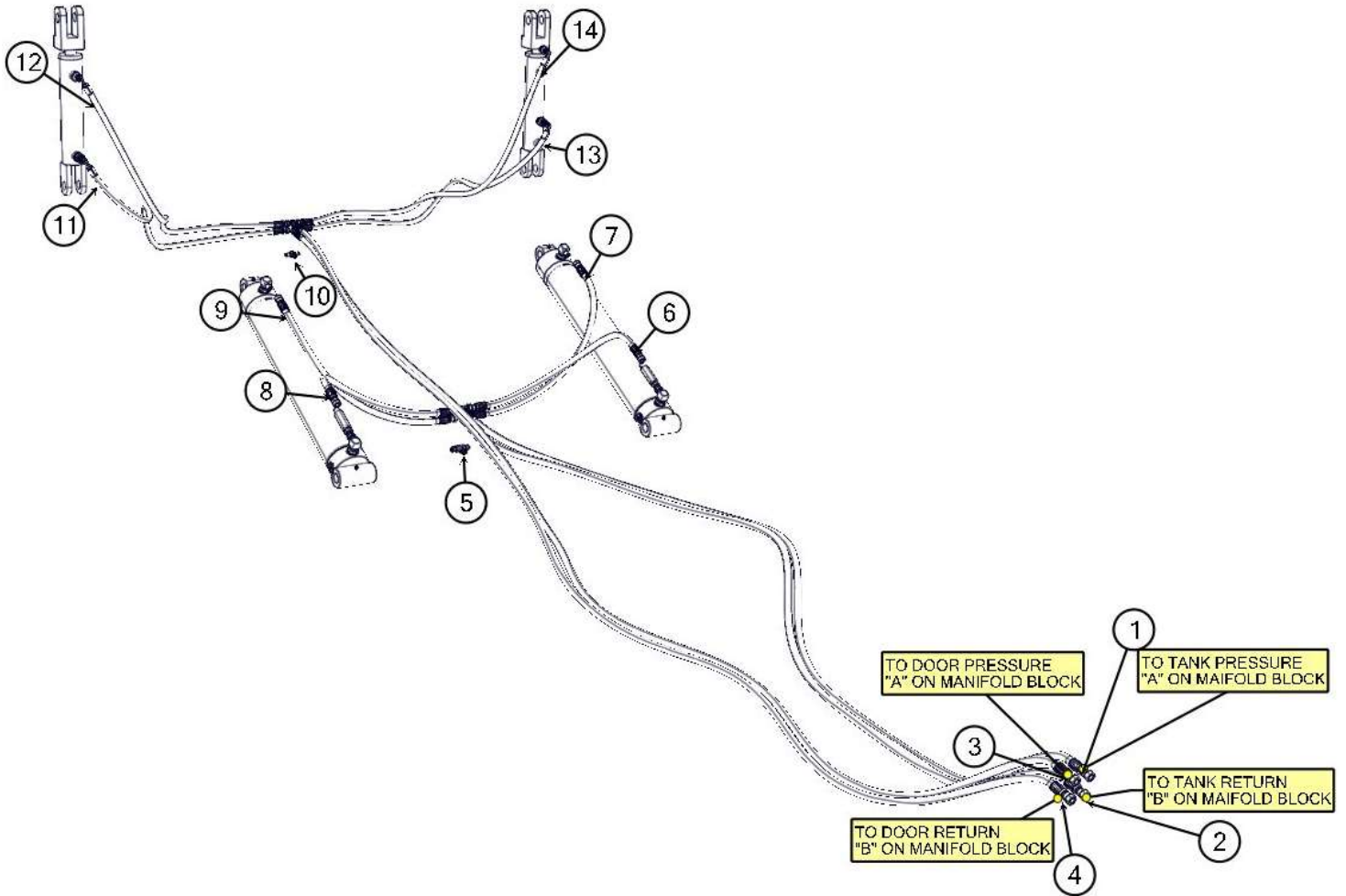
HYDRAULIC PUMP ASSEMBLY



HYDRAULIC PUMP ASSEMBLY

BOM ID	Qty	Description
1	1	8093970-09 DEUTZ 75HP PTO-C
2	1	T401290 ELBOW, 90 10MB(ADJ) - 6MJ
3	1	8093199 HOSE ASSY VAC 6-66" ST-90
4	1	8047333 PUMP, HYD BOOM (CROSS 2)
5	1	8043964 ELBOW, 45 1"HB-3/4"MB
6	2	8044011 CLAMP HOSE T-BOLT 150
7	1	8096030 HOSE VAC PUSH 1"-48"LG
8	1	8043963 UNION, 1"MP-1" HOSE BARB
9	1	T420080 ELL, STREET 16MP-16FP 90DEG
10	1	8048690 HYD BOOM BASE PACK KIT
11	1	8048384 BRACKET, HYD VERTICAL 4 GAL
12	1	T402148 TEE, 6MB-6MJ-6MJ
13	1	T401250 ELBOW, 90 6MB-6MJ
14	1	T401230 ELBOW, 90 4MB-4MJ
15	4	T400550 REDUCER, 6MB-4MJ
16	3	T405200 CAP, 1/4" FEM. JIC HEX HEAD
17	2	T400037 UNION, 6MB-6MJ

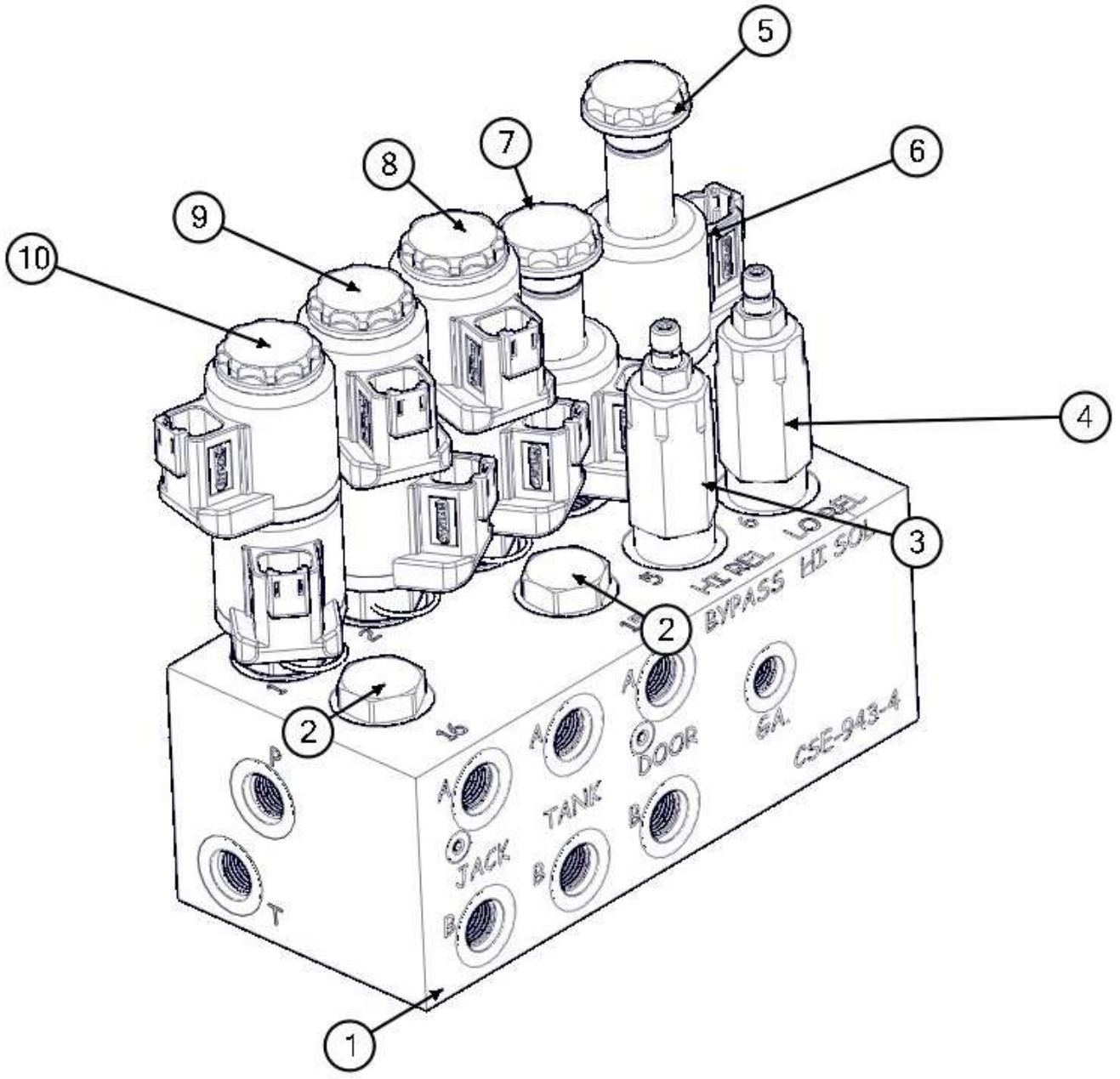
HYDRAULIC PUMP HOSE ASSEMBLY



HYDRAULIC PUMP HOSE ASSEMBLY

BOM ID	Qty	Description
1	1	8047171 HOSE ASSY VAC 6-96" ST-ST
2	1	8047171 HOSE ASSY VAC 6-96" ST-ST
3	1	8096068 HOSE ASSY VAC 4-142" ST-ST
4	1	8096068 HOSE ASSY VAC 4-142" ST-ST
5	2	T402154 TEE, 6MJ-6MJ-6MJ
6	1	8093412 HOSE ASSY VAC 6-22" ST-ST (PRESSURE STREETSIDE)
7	1	8093417 HOSE ASSY VAC 6-26" ST-ST (RETURN STREETSIDE)
8	1	8093412 HOSE ASSY VAC 6-22" ST-ST (PRESSURE CURBSIDE)
9	1	8093417 HOSE ASSY VAC 6-26" ST-ST (RETURN CURBSIDE)
10	2	T402035 TEE, 4MJ-4MJ-4MJ
11	1	8044987 HOSE ASSY VAC 4-40" ST-90 (PRESSURE CURBSIDE)
12	1	8093183 HOSE ASSY VAC 4-46" ST-90 (RETURN CURBSIDE)
13	1	8044987 HOSE ASSY VAC 4-40" ST-90 (PRESSURE STREETSIDE)
14	1	8093183 HOSE ASSY VAC 4-46" ST-90 (RETURN STREETSIDE)

BASE MANIFOLD ASSEMBLY



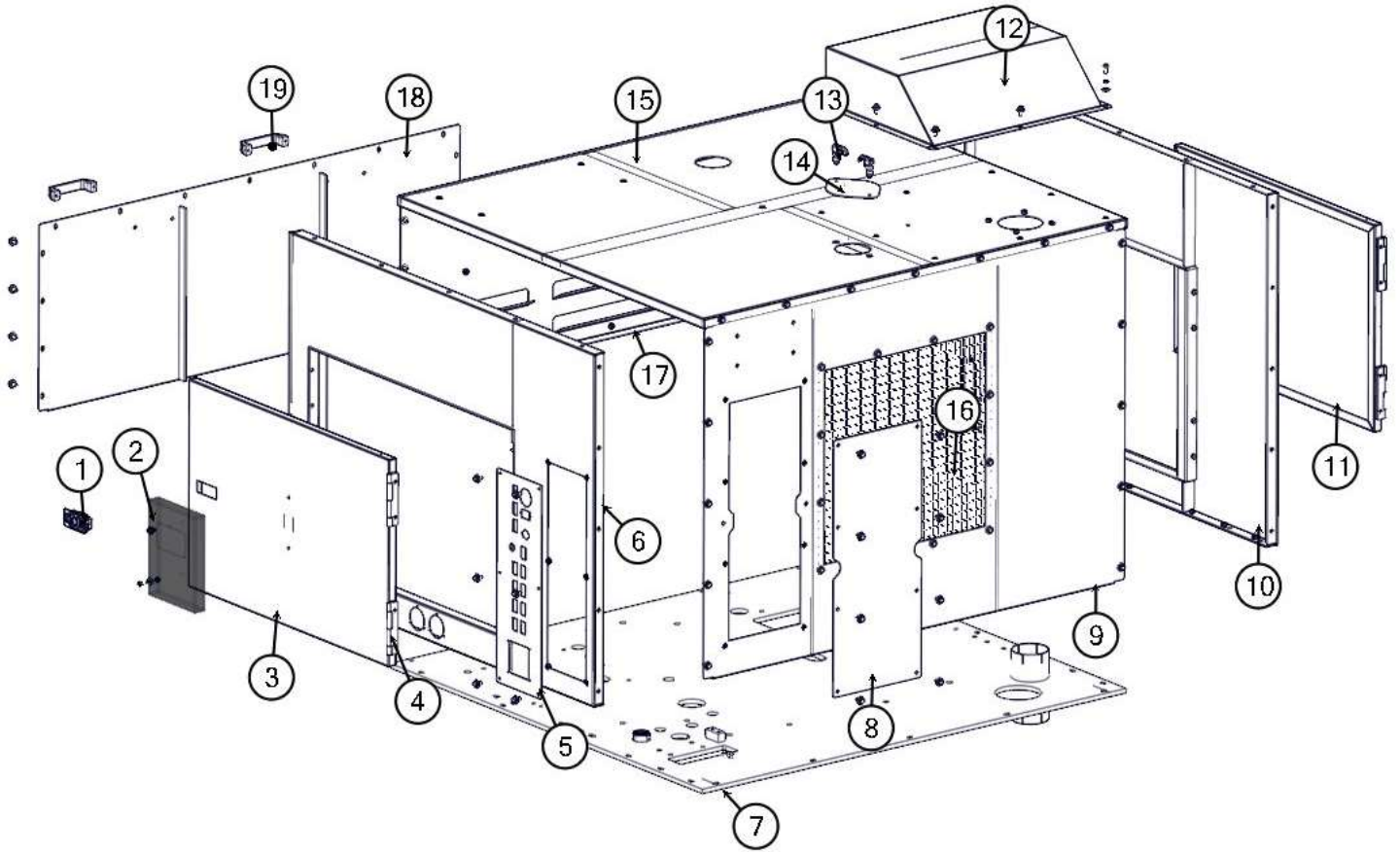
BASE MANIFOLD ASSEMBLY

BOM ID	Qty	Name
1	1	8048690-03 MANIFOLD BLOCK (ONLY)
2	2	8048690-08 VALVE, CARTRIDGE DBL PO CHECK
3	1	8047330-12 VALVE, CARTRIDGE RELIEF HI-PRESSURE
4	1	8047330-13 VALVE, CARTRIDGE RELIEF LOW-PRESSURE
5	1	8047330-08 VALVE, CARTRIDGE 2 POS-N.O.
6	8	8047330-11 COIL, 12V
7	1	8047330-08 VALVE, CARTRIDGE 2 POS-N.O.
8	1	8048690-09 VALVE, CARTRIDGE 3 POS - OPEN CTR
9	1	8047330-09 VALVE, CARTRIDGE 3 POS - BLOCKED CTR
10	1	8048690-09 VALVE, CARTRIDGE 3 POS - OPEN CTR

MACHINES WITH NO HYDRAULIC JACK:

PORT 1 - 8047330-10 PLUG, CAVITY
PORT 16 - 8048690-10 PLUG, SAE

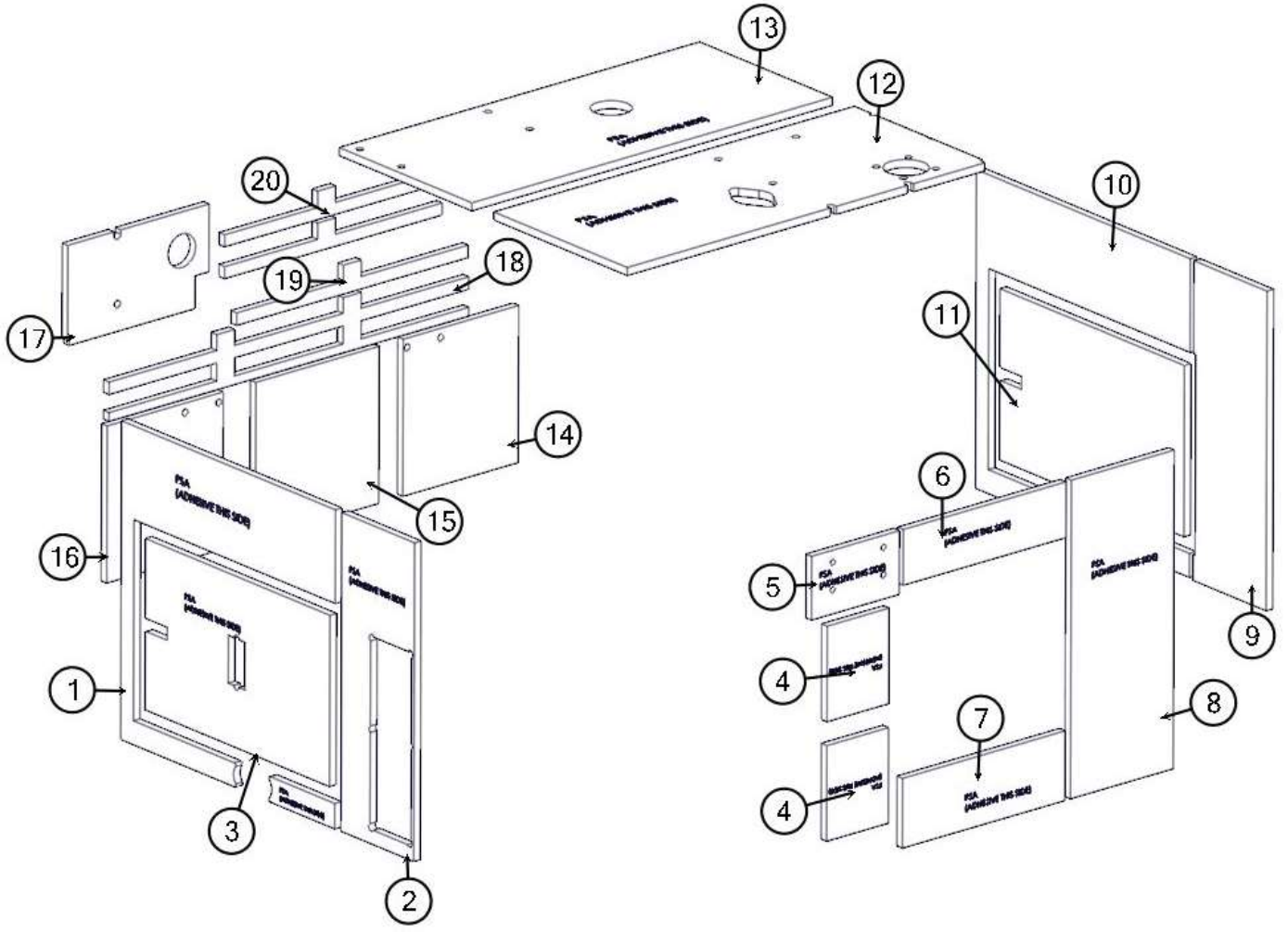
ENCLOSURE ASSEMBLY



ENCLOSURE ASSEMBLY

BOM ID	Qty	Description
1	2	8040586 SEALED LEVER LATCH
2	1	E250210 BOX, SAFETY MANUAL
3	1	8096213 WELDMENT, ENCLOSURE DOOR W/MANUAL BOX
4	4	8093873 HINGE, DOOR ENCLOSURE
5	1	8095541 PLATE, ENCLOSURE CONTROL PANEL
6	1	8095527 WELDMENT, PANEL CURBSIDE
7	1	8095333 WELDMENT, ENGINE PLATE 75HP
8	1	8095549 PLATE, ACCESS BATTERY
9	1	8095542 WELDMENT, PANEL RADIATOR
10	1	8095536 WELDMENT, ENCLOSURE STREETSIDE
11	1	8095538 WELDMENT, ENCLOSURE DOOR
12	1	8095517 WELDMENT, BLOWER INTAKE BOX
13	2	8040334 SWELL LATCH
14	1	8040592 ENCLOSURE RADIATOR COVER
15	1	8095521 WELDMENT, PANEL TOP
16	1	8095805 RADIATOR GRATE
17	1	8095545 WELDMENT, PANEL REAR UPPER
18	1	8095547 WELDMENT, ENCLOSURE REAR LOWER
19	2	8095551 HANDLE, PULL

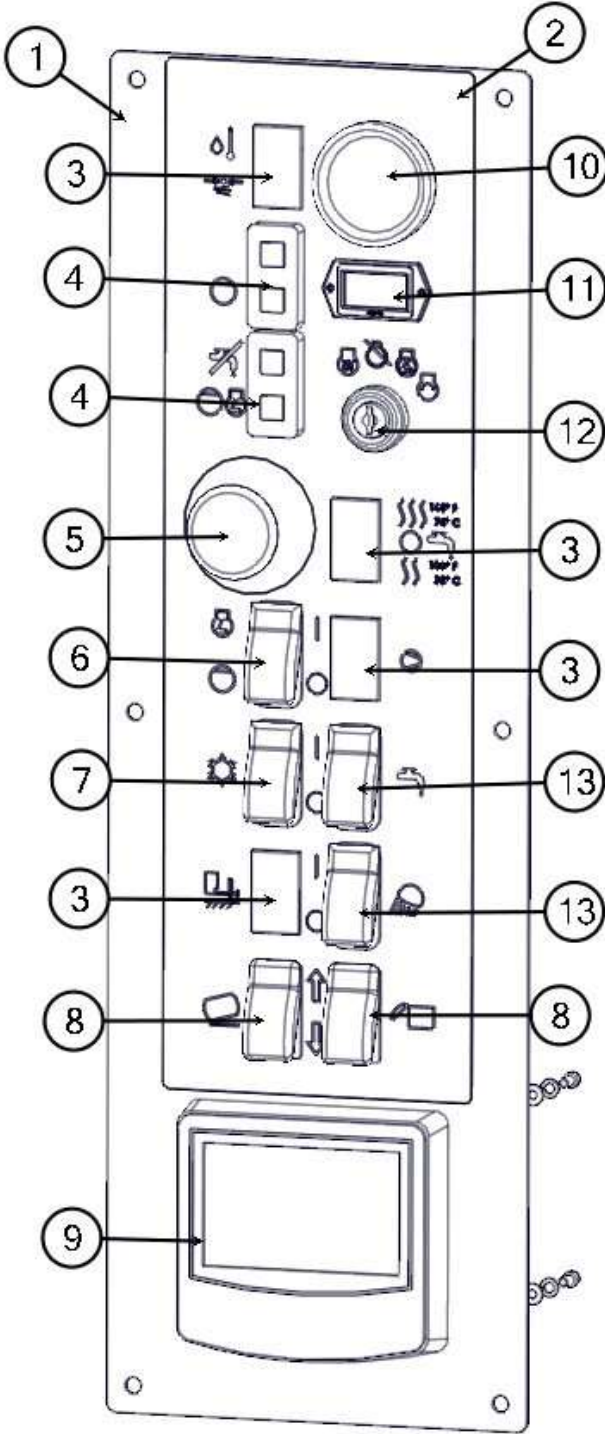
ENCLOSURE FOAM ASSEMBLY



ENCLOSURE FOAM ASSEMBLY

BOM ID	Qty	Description
1	1	8095558-01 PANEL 1, FOAM ENCLOSURE
2	1	8095558-02 PANEL 2, FOAM ENCLOSURE
3	1	8095558-21 PANEL 21, FOAM ENCLOSURE
4	2	8095558-08 PANEL 8, FOAM ENCLOSURE
5	1	8095558-07 PANEL 7, FOAM ENCLOSURE
6	1	8095558-18 PANEL 18, FOAM ENCLOSURE
7	1	8095558-06 PANEL 6, FOAM ENCLOSURE
8	1	8095558-05 PANEL 5, FOAM ENCLOSURE
9	1	8095558-04 PANEL 4, FOAM ENCLOSURE
10	1	8095558-03 PANEL 3, FOAM ENCLOSURE
11	1	8095558-15 PANEL 15, FOAM ENCLOSURE
12	1	8095558-16 PANEL 16, FOAM ENCLOSURE
13	1	8095558-17 PANEL 17, FOAM ENCLOSURE
14	1	8095558-09 PANEL 9, FOAM ENCLOSURE
15	1	8095558-20 PANEL 20, FOAM ENCLOSURE
16	1	8095558-19 PANEL 19, FOAM ENCLOSURE
17	1	8095558-10 PANEL 10, FOAM ENCLOSURE
18	1	8095558-11 PANEL 11, FOAM ENCLOSURE
19	1	8095558-14 PANEL 14, FOAM ENCLOSURE
20	2	8095558-12 PANEL 12, FOAM ENCLOSURE

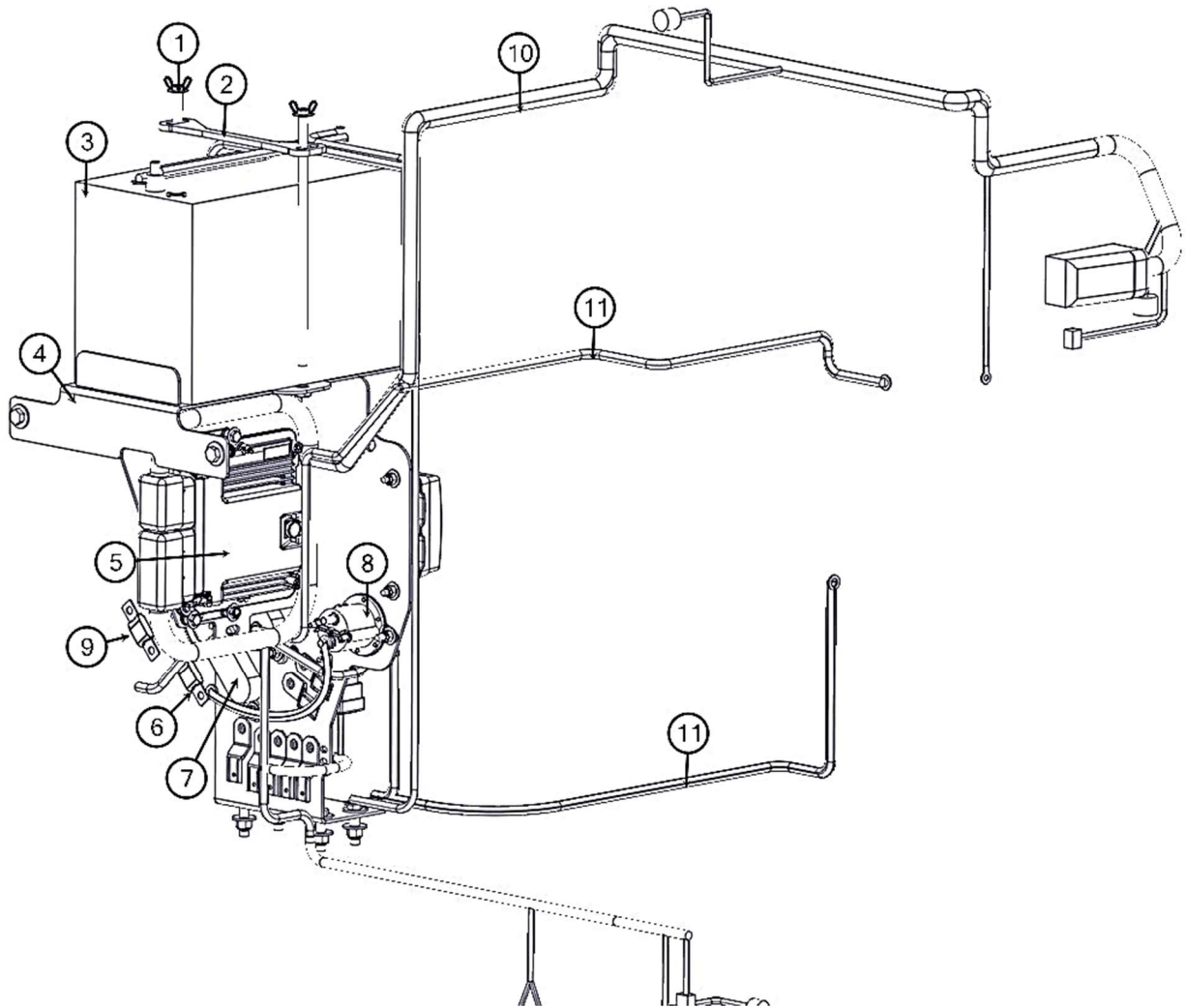
CONTROL PANEL ASSEMBLY

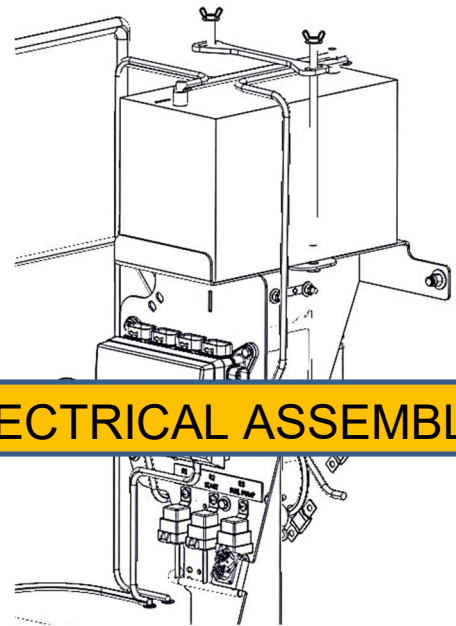


CONTROL PANEL ASSEMBLY

BOM ID	Qty	Description
1	1	8095541 PLATE, ENCLOSURE CONTROL PANEL
2	1	J200069 DECAL, VX75 CONTROL PANEL
3	4	X000290 PLUG, ROCKER HOLE
4	2	X000260 LIGHT, LED DUAL PANEL
5	1	X000280 SWITCH, EMERGENCY STOP
6	1	X000273 ROCKER SWITCH SPST (ON) NONE OFF
7	1	X000272 ROCKER SWITCH DPST (ON) NONE-ON
8	2	X000274 ROCKER SWITCH DPST (ON) OFF (ON)
9	1	8093970-06 DISPLAY, POWERVIEW PV480 DEUTZ 75HP
10	1	X100001 GAUGE, FUEL WEMA
11	1	X000300 HOUR METER
12	1	8030458 SWITCH, IGNITION
13	2	X000270 ROCKER SWITCH SPST ON-OFF

ELECTRICAL ASSEMBLY





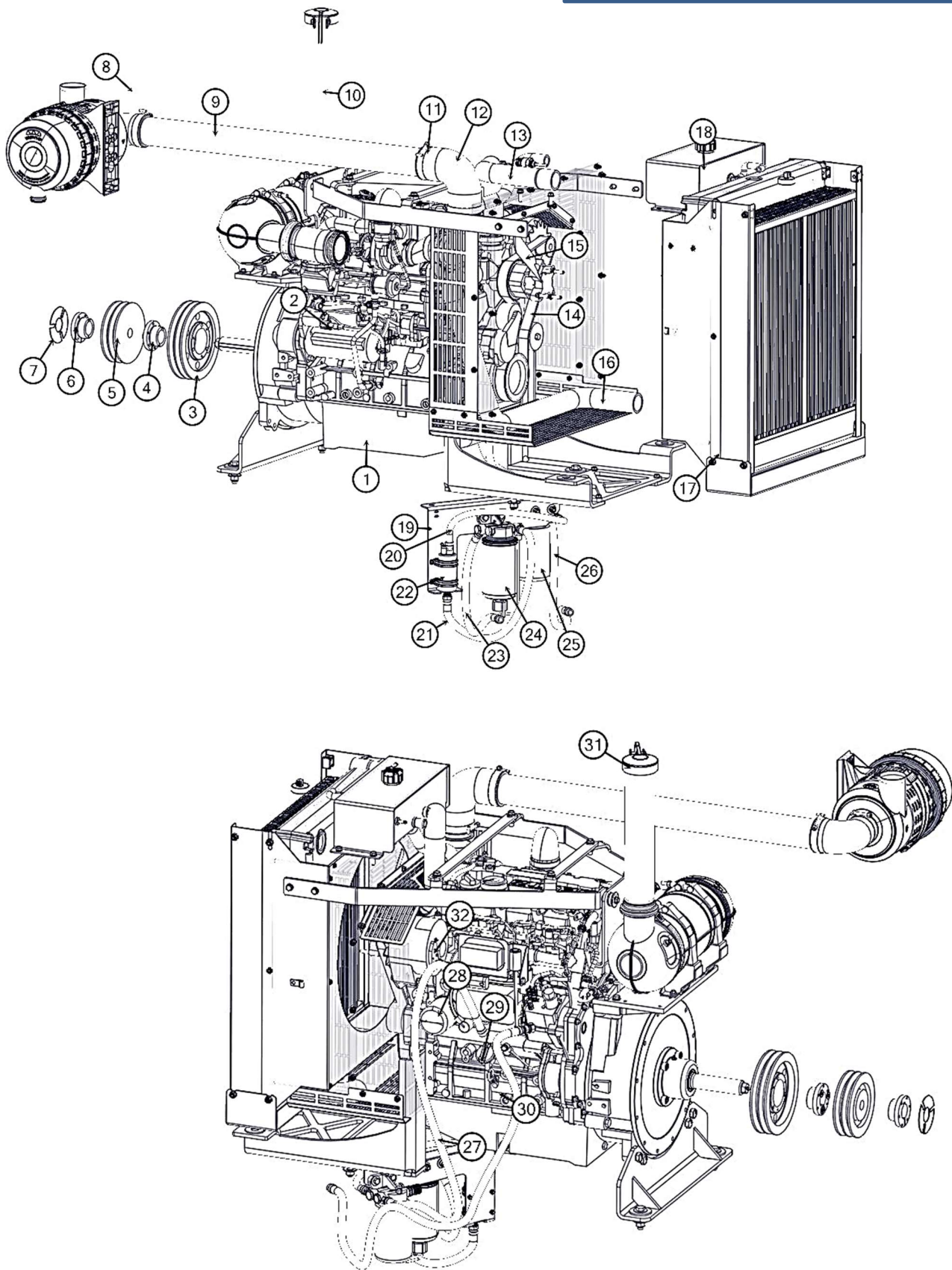
ELECTRICAL ASSEMBLY

BOM ID	Qty	Description
1	2	8043742 BATTERY ROD HOLD DOWN VK
2	1	8050016 STRAP, FOR BATTERY
3	1	X400050 BATTERY, 31-MHD WORKAHOLIC
4	1	8095985 WELDMENT, ELECTRICAL BRACKET
5	1	8093970-08 DEUTZ 75HP PTO-CONTROL
6	1	8091757 FUSE 100A AMG
7	2	8043800 FUSE HOLDER AMG
8	1	8046258 SWITCH HYD PUMP
9	1	8043801 FUSE, AMG 250A
10	1	X200253 HARNESS, VX ENGINE
11	1	8096253 KIT, BATTERY CABLE VX75
12	1	X000239 VEHICLE ELECTRICAL CENTER

*NOT SHOWN

X200251 1 MAIN HARNESS
 X200259 1 CONTROL PANEL HARNESS

ENGINE ASSEMBLY

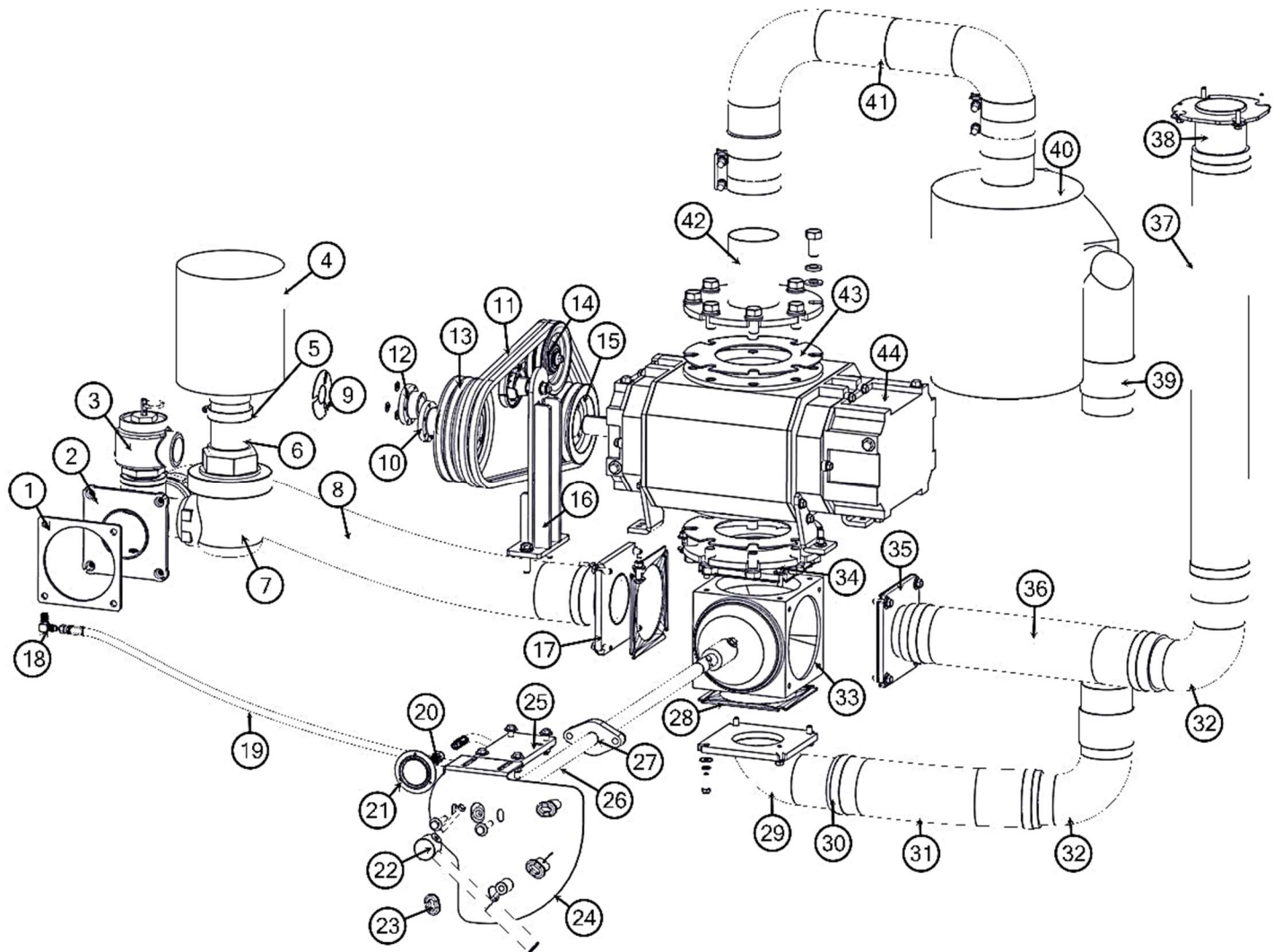


ENGINE ASSEMBLY

BOM ID	Qty	Description
1	1	8093970 ENGINE, DEUTZ TD 2.9 L4 T4F
2	1	8093970-10 STARTER
3	1	8040482 SHEAVE, 8.35" OD SK ENGINE
4	1	8040483 BUSHING, SK 1 7/16"
5	1	8040697 SHEAVE, 6.55"OD - SDS 2 GROOVE
6	1	8040960 BUSHING, SDS 1 7/16 ENGINE
7	1	8048364 RETAINER FOR 1 1/2" BUSHING 3 HOLE
8	1	8093970-07 ASSEMBLY, AIR CLEANER DEUTZ
9	1	8096058 TUBE, RD OD 3" X 2.87"ID ERW X 36"LG
10	1	8095959 EXHAUST PIPE
11	4	8042605 CLAMP HOSE T-BOLT 350
12	1	8091494 EXHAUST INTAKE ELBOW 90 RUBBER 3 X 3
13	1	8093970-19 UPPER RADIATOR HOSE
14	1	8093970-18 V-BELT
15	1	8093970-17 FAN
16	1	8093970-20 LOWER RADIATOR HOSE
17	1	8093970-21 RADIATOR
18	1	8093970-22 OVERFLOW TANK
19	1	8095388 BRACKET, FUEL SYSTEM VX75
20	1	8049946-20.00 HOSE, FUEL 5/16 - 20"
21	1	T300457-23.00 HOSE, FUEL 3/8 - 23"LG
22	1	8093970-01 FUEL PUMP, DEUTZ
23	1	T300457-26.50 HOSE, FUEL 3/8 - 26.50"LG
24	1	8093970-02 WATER SEPERATOR, DEUTZ
25	1	8093970-03 FUEL FILTER, DEUTZ
26	1	T300457-78.00 HOSE, FUEL 3/8 - 78"LG
27	1	8093970-04 FUEL SUPPLY LINE, DEUTZ
28	1	8093970-12 OIL FILTER
29	1	8093970-14 CAP, OIL
30	1	8093970-13 DIPSTICK, OIL
31	1	8044537 RAIN CAP 3" SILENT
32	1	8093970-11 GENERATOR

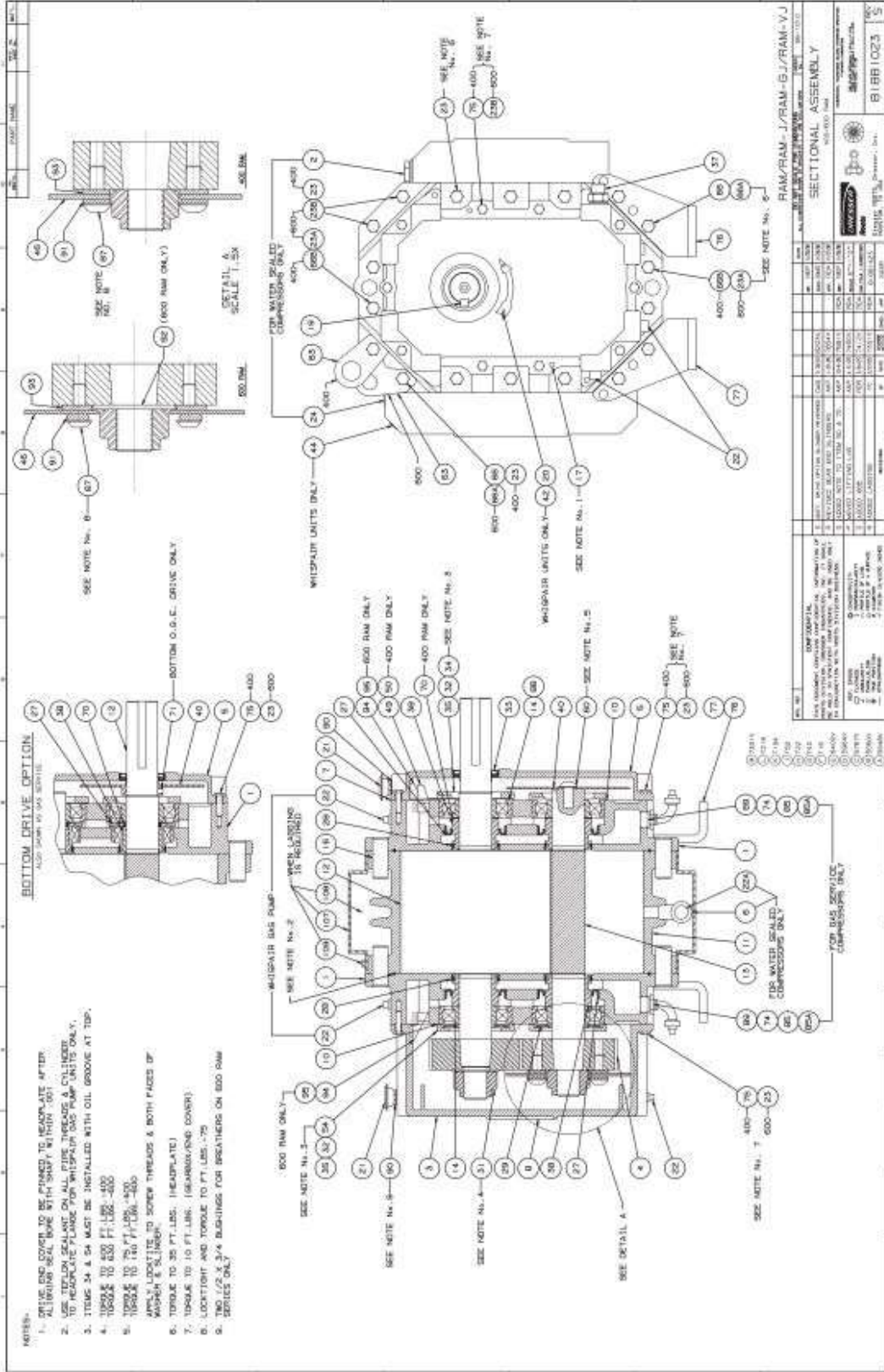
*NOT SHOWN
QTY 1 AIR FILTER - 8093970-24

BLOWER ASSEMBLY



BLOWER ASSEMBLY

BOM ID	Qty	Description
1	1	8046191 GASKET, DOOR INLET/OUTLET
2	1	8048126 HEADER, 4" AIR FILTER HDRF
3	1	8041035 VALVE, 2.5" AIR RELIEF SET 5 PSI
4	1	8043553 FILTER, AIR 3" 245 CFM
5	1	8042605 CLAMP HOSE T-BOLT 350
6	1	8045238 UNION EXHAUST 3" OD-MNPT
7	1	8030866 VALVE, 3" AIR RELIEF SET 15" HG
8	1	8092929-048.00 HOSE BLOWER HOT AIR 4" X 48"LG
9	1	8048364 RETAINER FOR 1 1/2" BUSHING 3 HOLE
10	1	8040483 BUSHING, SK 1 7/16"
11	2	8049163 BELT, BP59 PREDATOR
12	1	8045305 BUSHING, SD 1 1/2"
13	1	8040482 SHEAVE, 8.35" OD SK ENGINE
14	1	8049156 AUTO TENSIONER FOR DUAL V BELT
15	1	8047969 SHEAVE, 2B60 6.35"OD SD 2 GROOVE
16	1	8095973 WELDMENT, BLOWER BELT TENSIONER BRACKET
17	1	8046984 WELDMENT, FLANGE EXHAUST 4-WAY 6 X 4 TUBE
18	1	T401100 ELBOW, 90 4MP-4MJ
19	1	8042927 HOSE ASSY VAC 4-50" ST-ST
20	1	T400110 UNION, 4FP-4MJ
21	1	8041074 GAUGE, COMPOUND PRESSURE/VACUUM
22	1	8041617 HANDLE, 4" REV FLOW W/GRIP
23	3	8048585 GROMMET, REV FLOW PLATE
24	1	8046202 BRACKET, REV FLOW CONTROL
25	1	8096036 PLATE, MOUNT CONTROLS REV FLOW
26	1	8048342 REV FLOW ROD U-JOINT
27	1	W030080 BEARING, FLANGE 2 BOLT 1" BORE
28	4	8046995 GASKET, FLANGE 4-WAY 6"
29	1	8091913 WELDMENT, ELBOW 6" VALVE FLANGE
30	8	8042606 CLAMP HOSE T-BOLT 450
31	1	8092929-017.00 HOSE BLOWER HOT AIR 4" X 17"LG
32	2	8041814 ELBOW, 90 4" EXHAUST 4"RAD 4"OD-OD
33	1	8045829 VALVE, 4-WAY 6" W/O FLANGES
34	1	8048089 BRACKET, REV FLOW BLOWER TO 4-WAY
35	1	8046984 WELDMENT, FLANGE EXHAUST 4-WAY 6 X 4 TUBE
36	1	8092929-022.00 HOSE BLOWER HOT AIR 4" X 22"LG
37	1	8092929-037.00 HOSE BLOWER HOT AIR 4" X 37"LG
38	1	8095622 WELDMENT, BLOWER EXHAUST FLANGE
39	4	8030400 CLAMP, BAND 4" EXHAUST
40	1	8030917 SILENCER, 4" COWL FOR 1025 CFM
41	1	8096035 WELDMENT, BLOWER DEUTZ 75HP RF
42	1	8046988 BLOWER FLANGE OUTLET
43	2	8046996 GASKET, BLOWER FLANGE ROOT 412
44	1	8045164 PUMP, VAC 1200 RH SHAFT TOPOUT



Assembly of RAM Series - Air & Gas Blowers

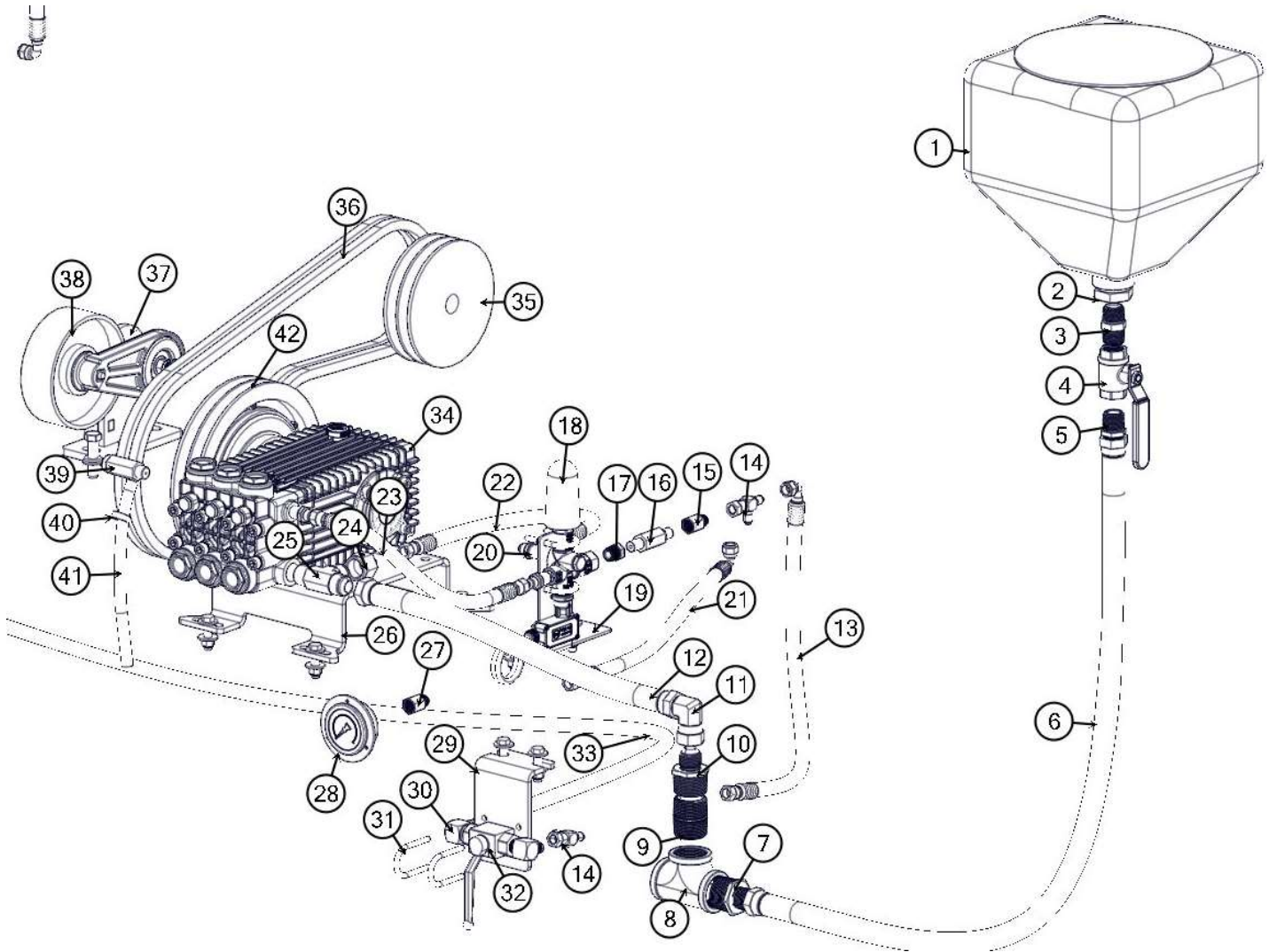
BLOWER

**RAM series parts list 4" & 6" gear diameter
for Gas, DVJ, DPJ & JV
(Refer to drawing #81881023)**

Item #	Part Name	Qty.
1	Headplate	2
2	Spray nozzle assembly	1
3	Gearbox	1
4	Timing Gears	2
5	End Cover	1
7	Gasket - Gearbox/Cover	2
10	Shims	Lot
11	Cylinder	1
12	Impeller & Shaft Drive	1
13	Impeller & Shaft Driven	1
14	Bearing Roller	4
16	Pin, Dowel (Pull Out)	4
17	Pin, Dowel	2
19	Key Square	1
21	Plug - Vent	2
22	Plug, Pipe	12
23	Screw, Cap Hex Hd.	*
27	Seal, Lip Headplate DVJ, DPJ, VJ	4
27	Seal-Mech-Viton Gas	4
28	Piston, Ring-Seal	4
29	Washer, Wavy Spring	2
31	Gear Nut	2
32	Scr, Cap Hex Hd.	16
33	Seal, Lip Drive	1
34	Brg. Clamp Plate - D. E.	2
35	Lock Washer - Spring	16
37	Oil Level Gauge	2
38	Sleeve, Shaft DVJ, DPJ, JV	4
38	Sleeve - Gas	4
40	Slinger - D.E. (Top Drive)	1
46	Slinger - G.E.	1
49	Oil Leader L/S	1
50	Oil, Leader-R/S	1
54	Brg Clamp Plate - G. E.	2
60	Screw, Cap Butt. HD.	1
64	Pin, Spring	1
66	Screw, Cap Hex HD.	*
66.1	Whispair, Spring Lock 3/8M	*
70	Shims D.E. Brg.	1
75	Screw, Cap - Hex HD.	*
76	Blower Foot - RH	2
77	Blower Foot - LH	2
85	Elb, Pipe-Black	2
85.1	Plug, Pipe	2
87	Scr, Cap BH	2
88	Anti Rotation Ball	4
90	BSHG-RDCG	2
91	Washer, Plain Flat	2
92	Washer, Plain Flat	2
93	Washer	2
94	Oil Leader	2
95	Cap Screw	4

*Quantity varies by blower.

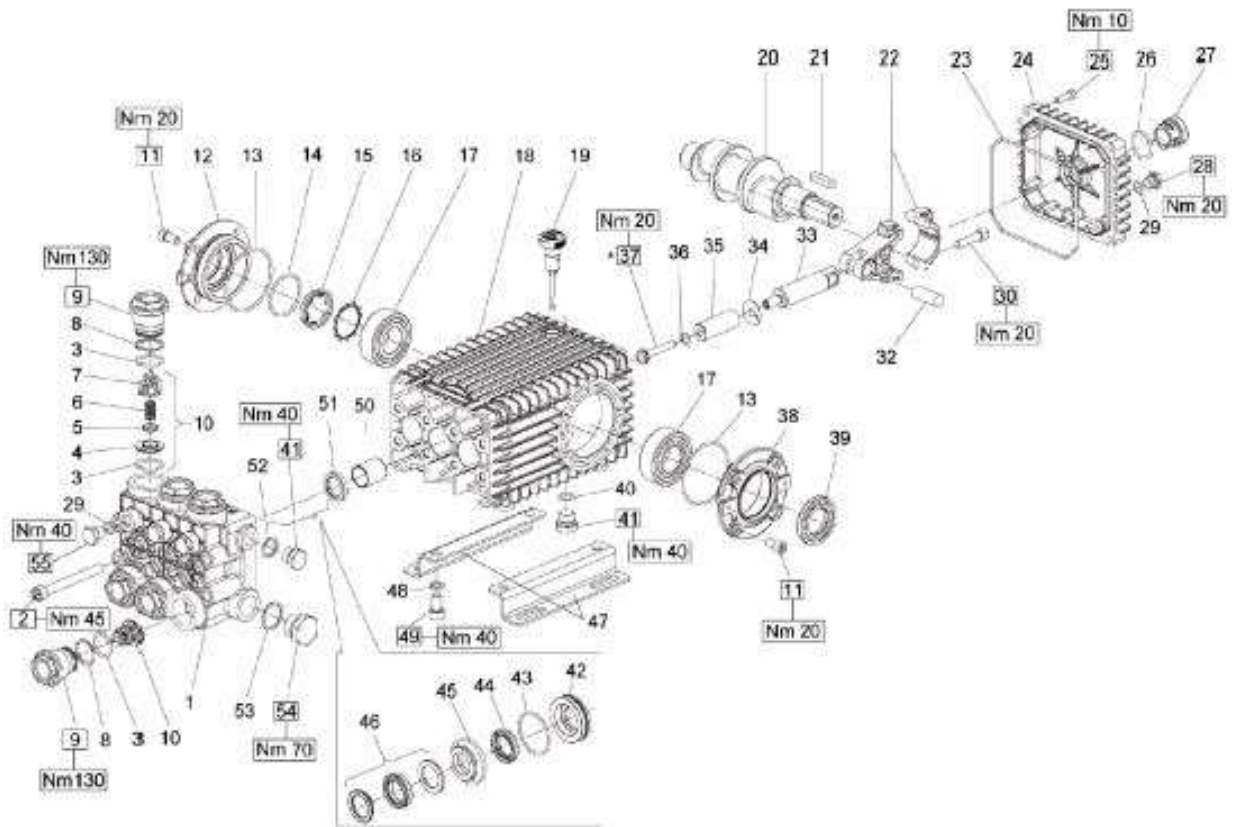
WATER PUMP ASSEMBLY



WATER PUMP ASSEMBLY

BOM ID	Qty	Description
1	1	8030394 TANK, ANTIFREEZE 4 GAL W CAP
2	1	T403100 REDUCER, 20MP-12FP
3	1	T400800 UNION, 12MP-12MP
4	1	T000185 VALVE, BALL 3/4" FNPT BRASS
5	1	T400100 UNION, 12MP-12MJ
6	1	8030539-041.00 HOSE, PUSHLOCK 12 X 41"LG
7	1	T403017 REDUCER, 20MP-12MJ
8	1	8041310 TEE, 1.25"FP ALL LEGS GALV
9	1	T421040 NIPPLE, CLOSE 1 1/4"MP X 2" BLACK
10	1	T403017 REDUCER, 20MP-12MJ
11	1	T401628 ELBOW, 90 12FJ-12MJ
12	1	8030539-020.00 HOSE, PUSHLOCK 12 X 20"LG
13	1	8093435 HOSE ASSY VAC 6-31" ST-90
14	2	T402153 TEE, 6FJ-6MJ-6MJ
15	1	8031126 REDUCER, 4FP-6MJ
16	1	8030923 FILTER, WATER HIGH PRESSURE
17	1	T400023 REDUCER, 6MP-4FP
18	1	8048979 VALVE, UNLOADER BLUE W/SWITCH
19	1	8093220 MOUNT, UNLOADER ENGINE PLATE
20	3	T400028 UNION, 6MP-6MJ
21	1	8043960 HOSE ASSY AVC 6-17" ST-90
22	1	8093444 HOSE ASSY VAC 6-14" ST-90
23	1	8091323 HOSE ASSY VAC 6-14" ST-ST
24	1	T403134 REDUCER, 3/4"FJ - 3/8"MJ
25	1	T402025 TEE, 12MP-12MJ-12MJ
26	1	8095995 PLATE, WATER PUMP MOUNT
27	1	8031126 REDUCER, 4FP-6MJ
28	1	8030372 GAUGE, 5000PSI 2.5"LF CBM
29	1	8040670 BRACKET, BALL VALVE
30	2	T401102 ELBOW, 90 6MP-6MJ
31	4	U010017 U-BOLT, .250-20
32	1	8030351 VALVE, BALL 3/8" RATE 3K PSI
33	1	8049023 HOSE ASSY VAC 6-370" ST-90 (TANK CLEANOUT)
34	1	8047941 PUMP, WATER TSF2021 8.5GPM 3600PSI
35	1	8040697 SHEAVE, 6.55"OD - SDS 2 GROOVE
36	2	8049162 BELT, BP57 PREDATOR
37	1	8095969 WELDMENT, 8GPM BELT TENSIONER BRACKET
38	1	8096205 AUTO TENSIONER FLAT FACED PULLEY
39	1	8030340 VALVE RELIEF WATER PRESET 4700 PSI
40	1	U800015 CLAMP, HOSE SIZE 04 - 5/8"
41	1	T300020-010.00 HOSE, #4 X 10"LG
42	1	8096060 CLUTCH, 9.75" PITCH DIA.

WATER PUMP TSF2021



TORQUE SPECS*

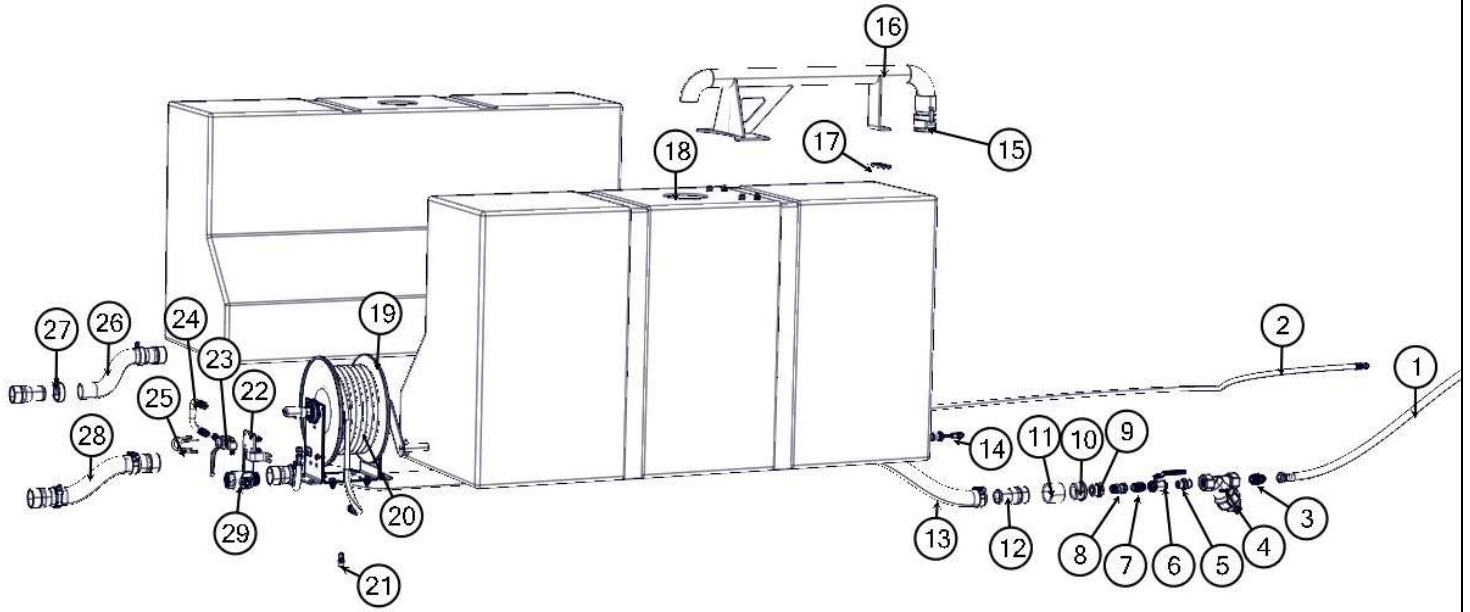
*Decrease torque by 20%
if threads are lubricated

POS.	Nm	Ft/lb
2	45	33.2
9	130	95.9
11	20	14.8
25	10	7.4
28	20	14.8
30	20	14.8
37**	20	14.8†
41	40	29.5
49	40	29.5
54	70	51.6
55	40	29.5

WATER PUMP TSF2021

ITEM	QTY.	PART #	DESCRIPTION	ITEM #S INCL'D IN KIT	NO. OF ASSY IN KIT	NO. OF CYL KIT WILL SERVICE
1	1	8047941-1	Manifold, 20mm			
2	8	8047941-2	Headbolt, M10 x 90			
3	12	8047941-3	O-ring, 23.81 x 2.62			
4	6	8047941-4	Seat, Valve			
5	6	8047941-5	Seat, Poppet			
6	6	8047941-6	Valve Spring 10 x 18 x 18.5			
7	6	8047941-7	Guide, Valve			
8	6	8047941-8	Anti-ext ring 24.7 x 29 x 1.5			
9	6	8047941-9	Plug, M32 x 1.5 x 29.5			
10	6	8047941-10	Valve Assembly Complete			
11	8	8047941-11	Screw, M8 x 16			
12	1	8047941-12	Cover			
13	2	8047941-13	O-ring, 67.95 x 2.62			
14	1	8047941-14	O-ring, 39.34 x 2.62			
15	1	8047941-15	Oil Sight Glass			
16	1	8047941-16	Retainer Clip			
17	2	8047941-17	Bearing			
18	1	8047941-18	Crankcase			
19	1	8047941-19	Dip Stick			
20	1	8047941-20	Crankshaft, 19mm Stroke			
21	1	8047941-21	Key, 9 x 7 x 35			
22	3	8047941-22	Connecting Rod, Complete			
23	1	8047941-23	O-ring 133.02 x 2.62			
24	1	8047941-24	Rear Cover			
25	4	8047941-25	Screw, M6 x 20			
26	1	8047941-26	O-ring 26.58 x 3.53			
27	1	8047941-27	Oil Indicator			
28	1	8047941-28	Plug, G1/4" x 9			
29	4	8047941-29	O-ring .426 x .070			
30	6	8047941-30	Screw, M8 x 35			
32	3	8047941-32	Wrist Pin, 14 x 39			
33	3	8047941-33	Pisten Guide			
34	3	8047941-34	Flinger Washer			
35	3	8047941-35	Plunger (20 mm)			
37	3	8047941-37	Screw, Plunger			
38	1	8047941-38	Side Cover			
39	1	8047941-39	Seal Shaft			
40	1	8047941-40	O-ring, 13.95 x 2.62			
41	2	8047941-41	Plug 3/8 x 13			
42	3	8047941-42	Seal Retainer 20mm			
43	3	8047941-43	O-ring, 34.65 x 1.78			
44	3	8047941-44	LP Seal 20mm			
45	3	8047941-45	Intermed. Ring 20mm			
46	3	8047941-46	HP Seal 20mm			
47	2	8047941-47	Pump Rail			
48	4	8047941-48	Washer M10			
49	4	8047941-49	Screw, M10 x 18			
50	3	8047941-50	Guide Bushing			
51	3	8047941-51	Seal, Plunger Rod			
52	1	8047941-52	Gasket, Al. 3/8"			
53	1	8047941-53	Washer			
54	1	8047941-54	Plug, G3/4" x 16			
55	3	8047941-55	Plug 1/4" x 13			
KIT #						
8047941-KIT170				44, 46	3	3
8047941-KIT171				42,43,44,45,46	1	1

WATER TANK ASSEMBLY

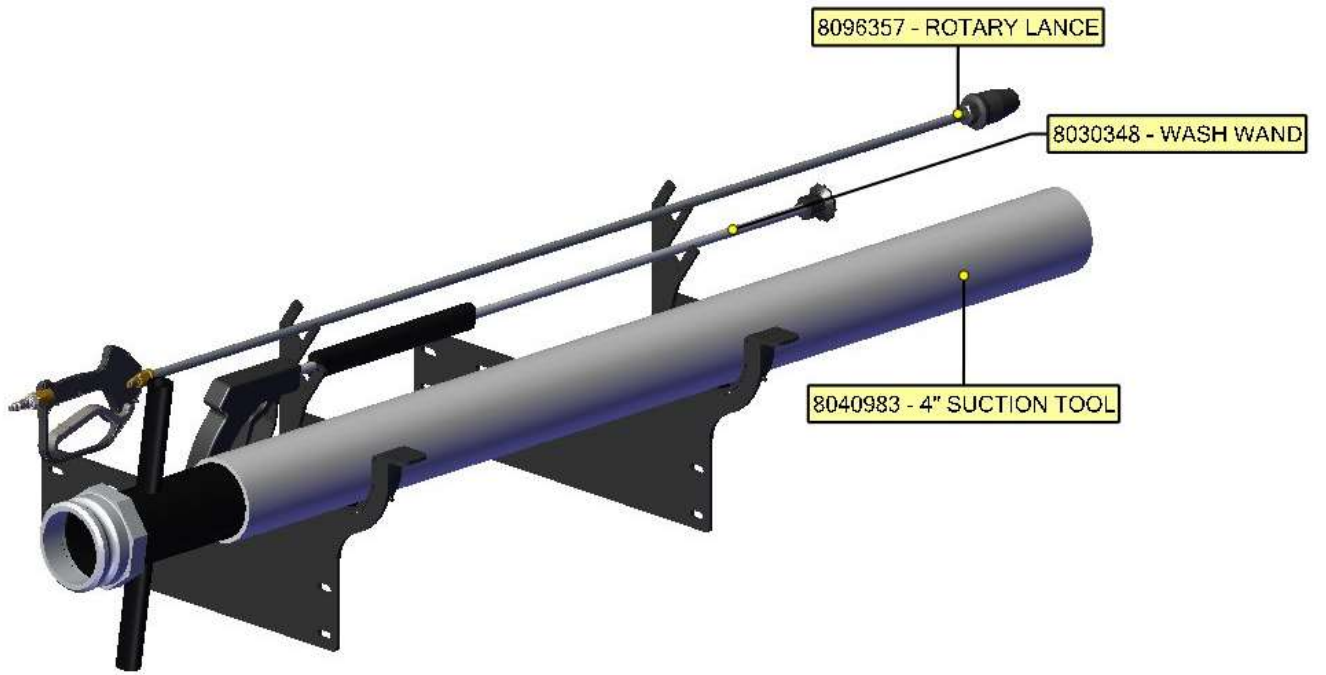


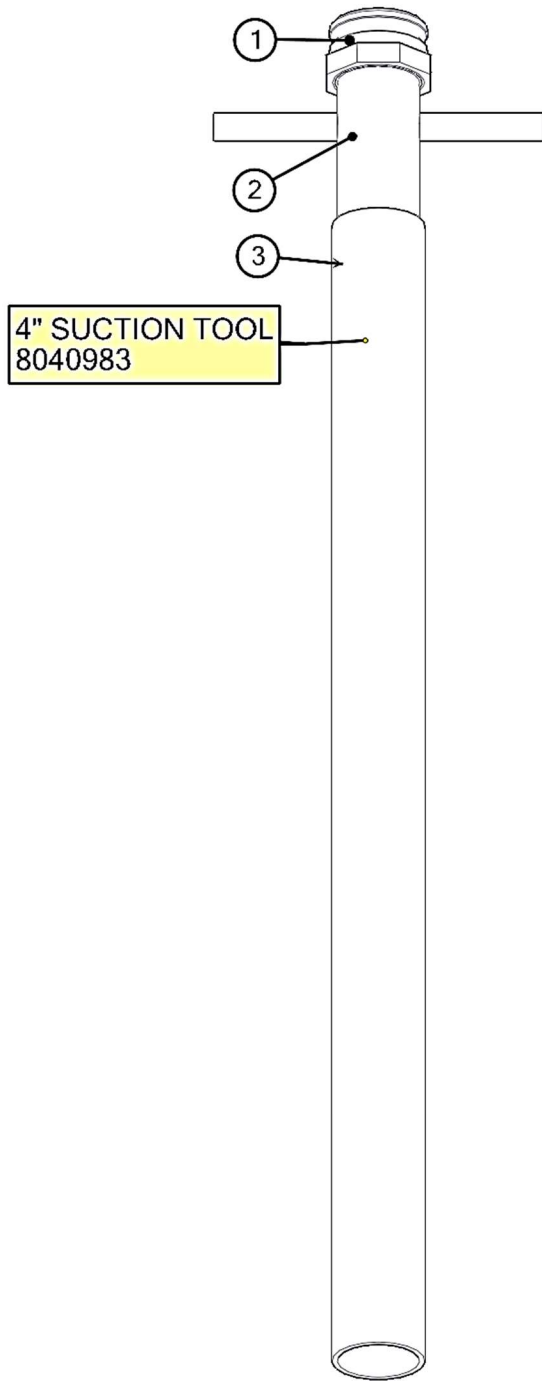
WATER TANK ASSEMBLY

BOM ID	Qty	Description
1	1	8030539-050.00 HOSE PUSHLOCK 12 X 50"LG
2	1	8093852 HOSE ASSY VAC 6-222" ST-ST
3	1	T400450 REDUCER, 16MP-12MJ
4	1	8040186 STRAINER, Y 1" BANJO
5	1	T404060 REDUCER, 16MP-12MP
6	1	T000185 VALVE, BALL 3/4" FNPT BRASS
7	1	T400100 UNION, 12MP-12MJ
8	1	T400101 UNION, 3/4"FJ-3/4"MP
9	1	T403100 REDUCER 20MP-12FP
10	1	8043843 REDUCER, 2"MP - 1 1/4"FP GALV
11	1	T422150 COUPLING, PIPE 2"
12	6	T410115 FITTING, 2" MNPT - 2" BARB STEEL
13	1	8043398-107.50 HOSE VAC CLEAR VINYL 2" - 107.50"LG
14	1	8090896 SWITCH, WATER LEVEL (HORIZ)
15	1	8031219 COUPLING, 2" ALUM MP X FCAMLOCK
16	1	8046528 QUICKFILL ATTACHMENT 205 TANK
17	2	8031216-003.00 SEAL, D-SHAPED 3"LG
18	2	8043805 TANK, WATER 205 GAL SADDLE
19	1	8030879 REEL ONLY WATER HANNAY 3/8 X 75'
20	1	8041830 HOSE ASSY 3/8" X 50' 4000 PSI
21	1	8091356 QUICK DISCONNECT 3/8" M X F
22	1	8046740 BRACKET, BALL VALVE
23	1	8030351 VALVE, BALL 3/8" RATE 3K PSI
24	1	8044147 HOSE ASSY VAC 6-10" ST-ST
25	2	U010017 U-BOLT .250-20
26	1	8043398-014.50 HOSE VAC CLEAR VINYL 2"-14.50"LG
27	6	8044580 CLAMP HOSE T-BOLT 256
28	1	8043398-013.00 HOSE VAC CLEAR VINYL 2"-13"LG
29	1	8045813 VALVE, BALL 1 1/4" M X F BRASS

PAGE LEFT BLANK

VACUUM TOOLS LAYOUT





TOOLS**SUCTION TOOL**

BOM ID	Qty	Name
1	1	8030844 COUPLING, BANJO 4"
2	1	8040981 VAC TOOL HANDLE ASSEMBLY 4"
3	1	8040982 TUBE, VACUUM PVC 4"

8091356 - QUICK DISCONNECT, MALE 3/8
MUST ORDER SEPARATELY

ROTARY LANCE
8096357



BOM ID	Qty	Name
1	1	8048567 GUN, SPRAY STRAIGHT
2	1	8043765 TUBE, CHROME 1/4NPT 60"LG
3	1	8042691 NOZZLE, ROTATING 080

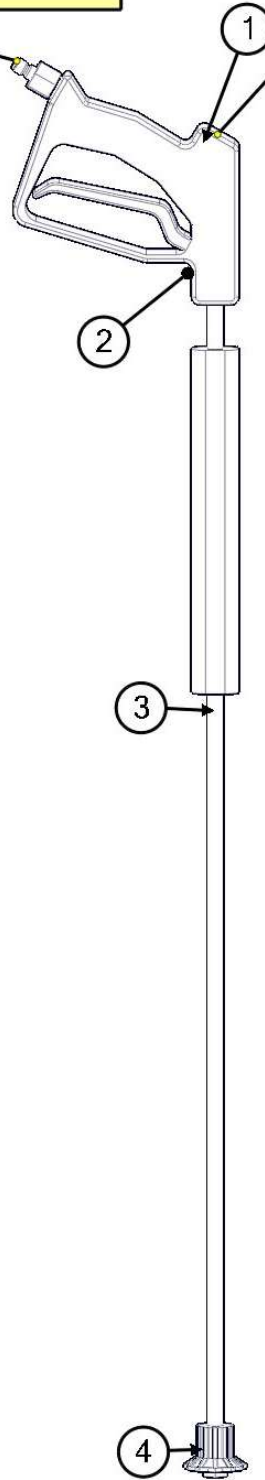
* NOT SHOWN
 8092777 ROD RETAINING ASSEMBLY, TOOL STORAGE

TOOLS

WASH WAND

8091356 - QUICK DISCONNECT, MALE 3/8
MUST ORDER SEPARATELY

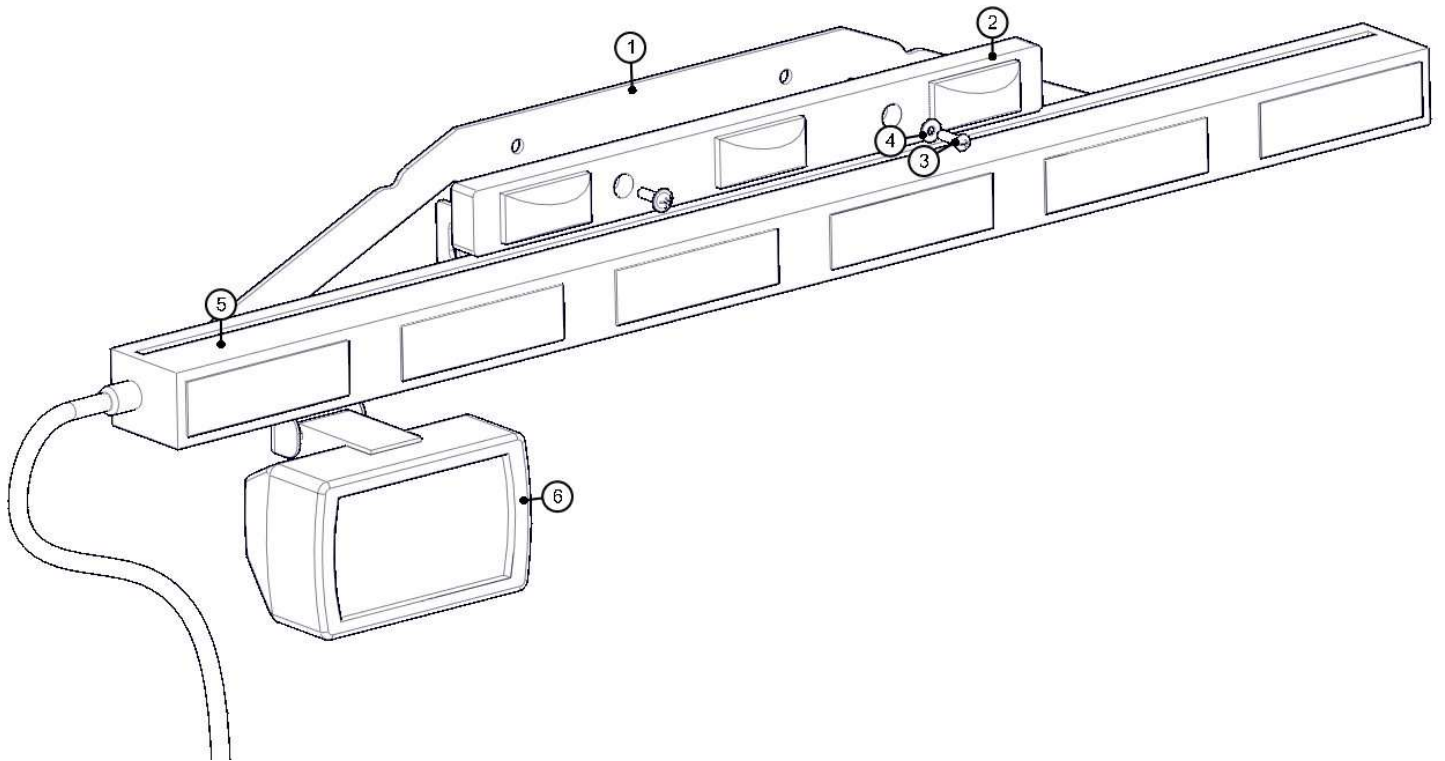
WASH WAND
8030348



BOM ID	Qty	Name
1	1	8030348 WAND COMPLETE
2	1	8030928 TRIGGER ASSEMBLY
3	1	8030847 WAND
4	1	8031303 NOZZLE, #10 40DEG
5	1	8091383 STORAGE, TOOL PVC 2 1/2 X 48"LG

* NOT SHOWN

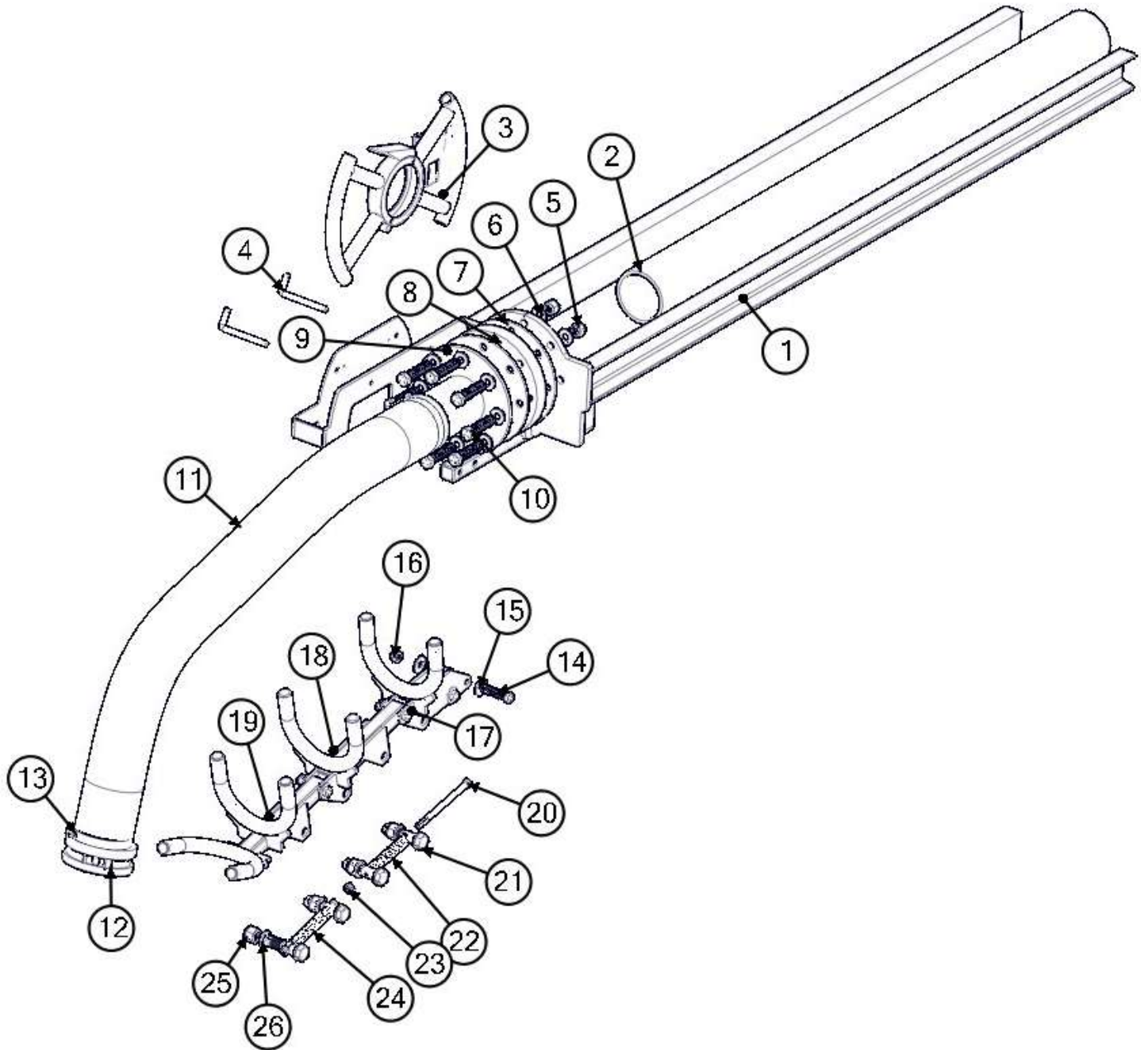
1 8092777 ROD RETAINING ASSEMBLY, TOOL STORAGE



BOM ID	Qty	Description
1	1	8093908 BRACKET, LIGHT DIRECTIONAL (BOOM)
2	1	8041509 LIGHT, TANK CLEARANCE 3 BAR
3	2	U030809 SCREW, PAN HD PHIL 10-24 X .75
4	4	U200001 WASHER, FLAT #10
5	1	8093914 LIGHT, DIRECTIONAL LED NO CONTROL W/PLUG
6	1	8043138 LIGHT, WORK VAC TRAP DEUTSCH

OPTIONS

BOOM ASSEMBLY
EXTENSION ARM



OPTIONS

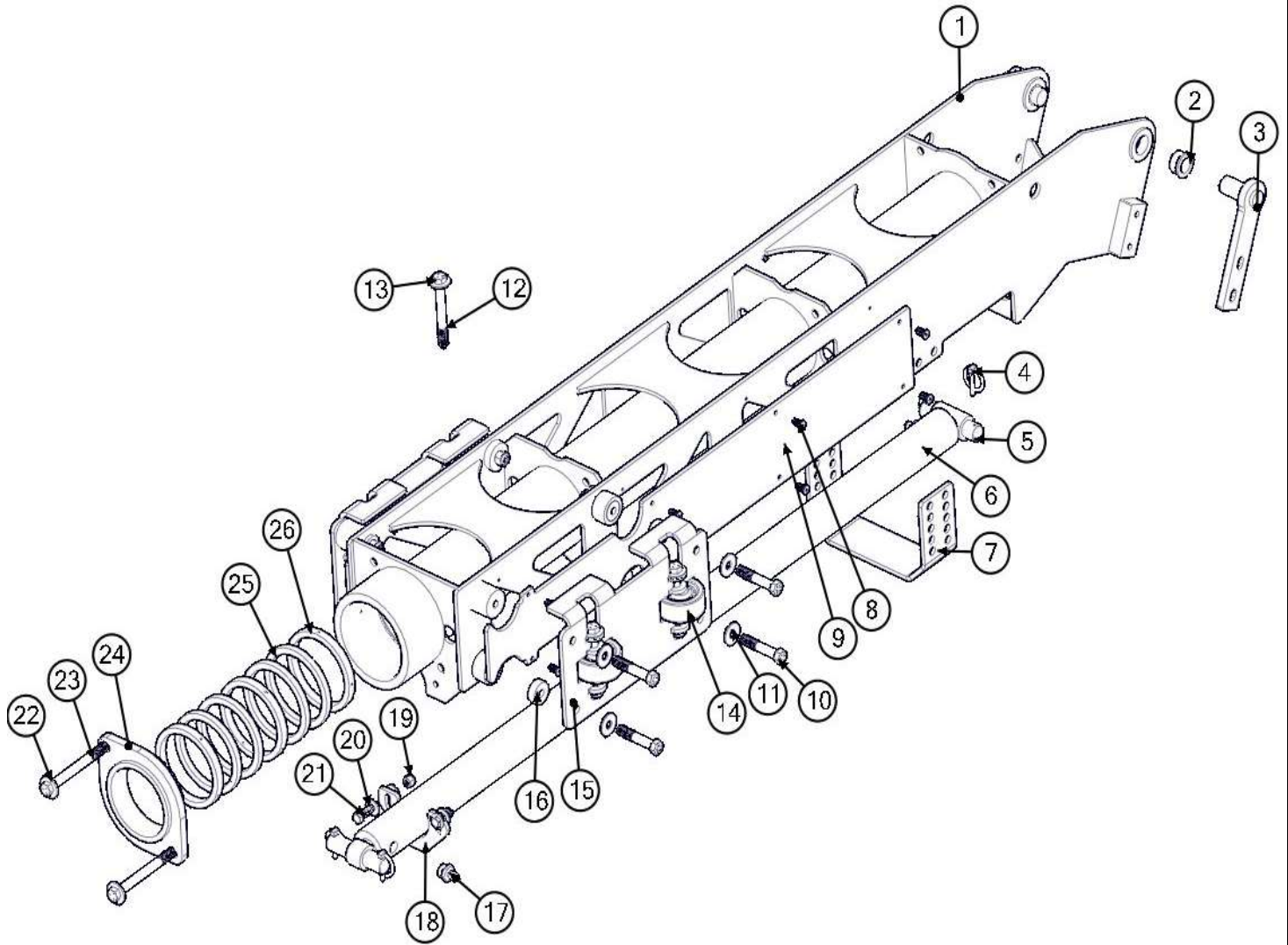
**BOOM ASSEMBLY
EXTENSION ARM**

BOM ID	Qty	Name
1	1	8046591 BOOM EXTENSION ARM WELDMENT
2	1	8042160 BOOM TUBE 4"-60"LG PVC
3	1	8043172 BOOM HANDLE WELDMENT
4	2	8043947 PIN, BOOM HANDLE CAPTURE
5	8	U120020 NUT, LOCK NY, 5/8-11 ZP G2
6	16	U200140 WASHER, FLAT 5/8 ZP
7	2	8041938 GASKET, FLANGE 4"
8	1	8041937 FLANGE, 4" PVC
9	1	8046638 BOOM HOSE MOUNT PLATE WELDMENT
10	8	U001250 SCREW,HC 5/8-11 X 3.00 ZP G5
11	1	8046769 HOSE VAC AG SUCTION 4"-42"LG
12	1	8046444 CAMLOCK 4" AL FCAM X MBARB
13	2	8042606 HOSE CLAMP T-BOLT 4"
14	4	U000900 SCREW,HC 1/2-13 X 2.50 ZP G5
15	8	U200100 WASHER
16	4	U160018 NUT, LOCK 1/2-13 NY ZP
17	1	8046612 BOOM PIVOT END WELDMENT
18	1	8046603 BOOM PIVOT END #1
19	1	8046606 BOOM PIVOT END #2
20	2	U000635 SCREW,HC 3/8-16 X 6.5 ZP GR5
21	4	8046636 BOLT, BOOM PIVOT END SPRING
22	1	8046771 SPRING, 3/8 X 5" 480LBs
23	2	U120110 NUT, LOCK 3/8-16 NY ZP
24	1	8046770 SPRING, 3/8 X 5" 395LBs
25	4	U120040 NUT, LOCK 3/4-10 NY ZP GR2
26	8	U200160 WASHER, FLAT 3/4 ZP

OPTIONS

BOOM ASSEMBLY

PIVOT ARM



OPTIONS

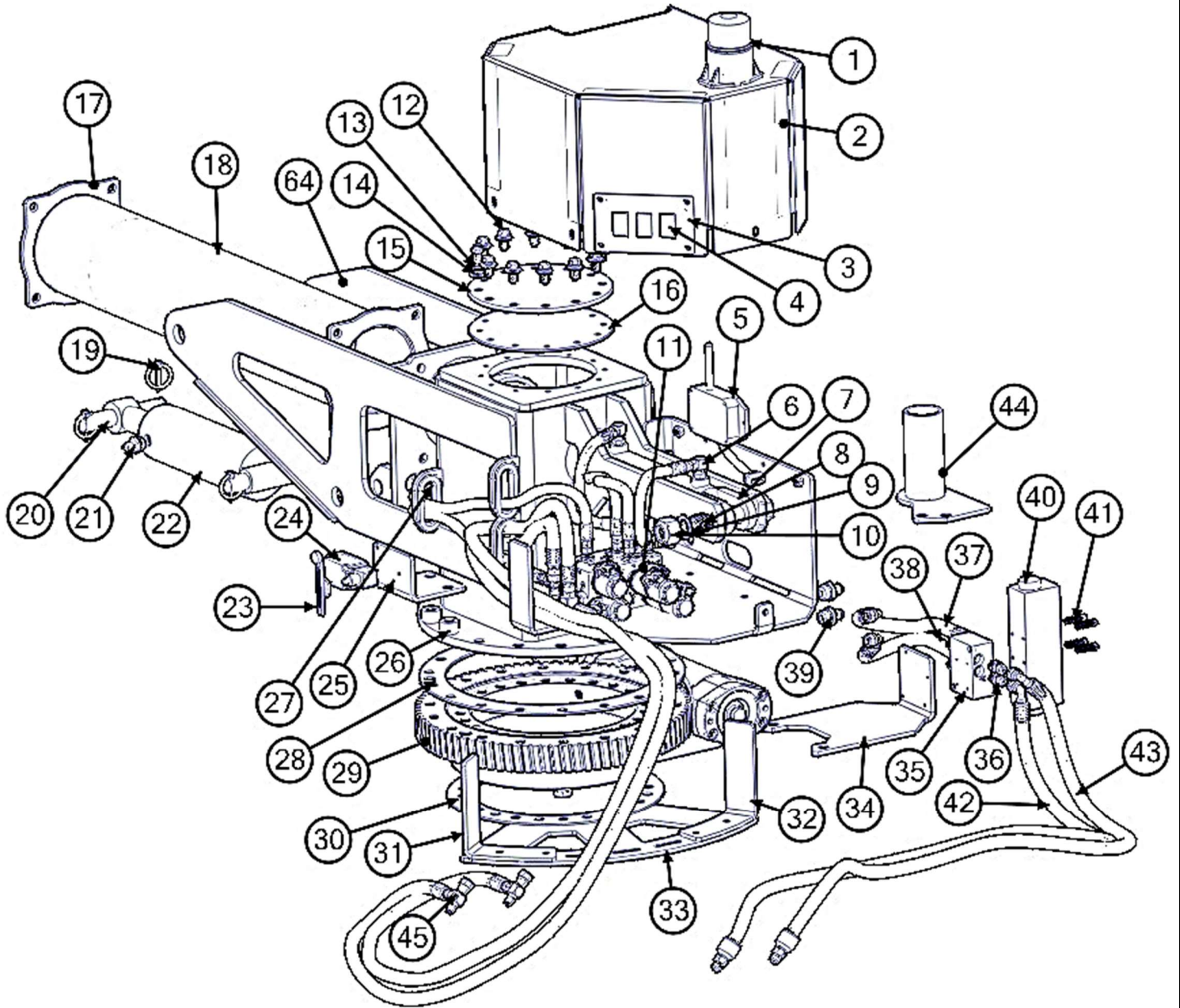
BOOM ASSEMBLY

PIVOT ARM

BOM ID	Qty	Name
1	1	8046582 BOOM PIVOT ARM LP
2	2	8041883 BUSHING, BRONZE 1 1/4 X 1 X .63 FL
3	2	8046634 PIN, BOOM PIVOT
4	4	U340050 PIN LINCH 3/16 X 1 9/16 ZP
5	2	8041990 BOOM PIVOT CYLINDER ROD PIN
6	1	8041926 BOOM-CYLINDER WX
7	1	8046635 BRACKET, BOOM CRADLE FOOT
8	16	U030015 SCREW,SFH 1/4-20 X .750 G5
9	2	8041986 GLIDE SHEET
10	8	U000935 SCREW,HC 1/2-13 X 3.00 ZP G8
11	8	U200100 WASHER, FLAT 1/2 ZP
12	4	U000980 SCREW,HC 1/2-13 X 4.50 ZP G5
13	4	U200100 WASHER, FLAT 1/2 ZP
14	4	8030226 WHEEL, PLASTIC FLUIDSWEEPER
15	2	8046627 BOOM EXT. ARM CAPTURE LP
16	4	8046624 BOOM CAM ROLLER SPACER
17	2	T400611 REDUCER, 8MB-4MJ
18	1	8041956 BOOM PIVOT ARM CYL. RETURN PLATE
19	2	U120110 NUT, LOCK 3/8-16 NY ZP
20	4	U200060 WASHER, FLAT 3/8 ZP
21	2	U000440 SCREW,HC 3/8-16 X 1.25 ZP G5
22	2	U200100 WASHER, FLAT 1/2 ZP
23	2	U001020 SCREW,HC 1/2-13 X 5.50 ZP G5
24	1	8041963 BOOM PACKING GLAND
25	4	8041947 BOOM PACKING RING
26	3	8041945 SLEEVE, PLASTIC BOOM SEAL

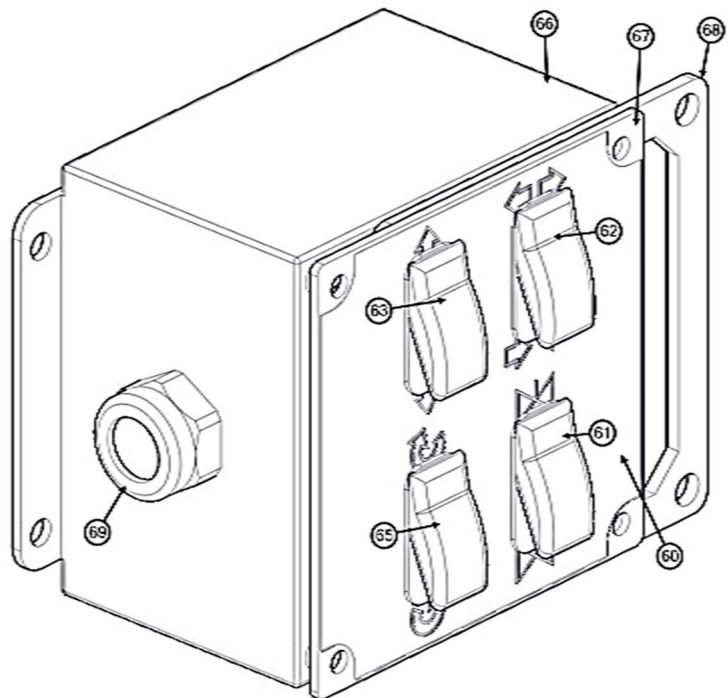
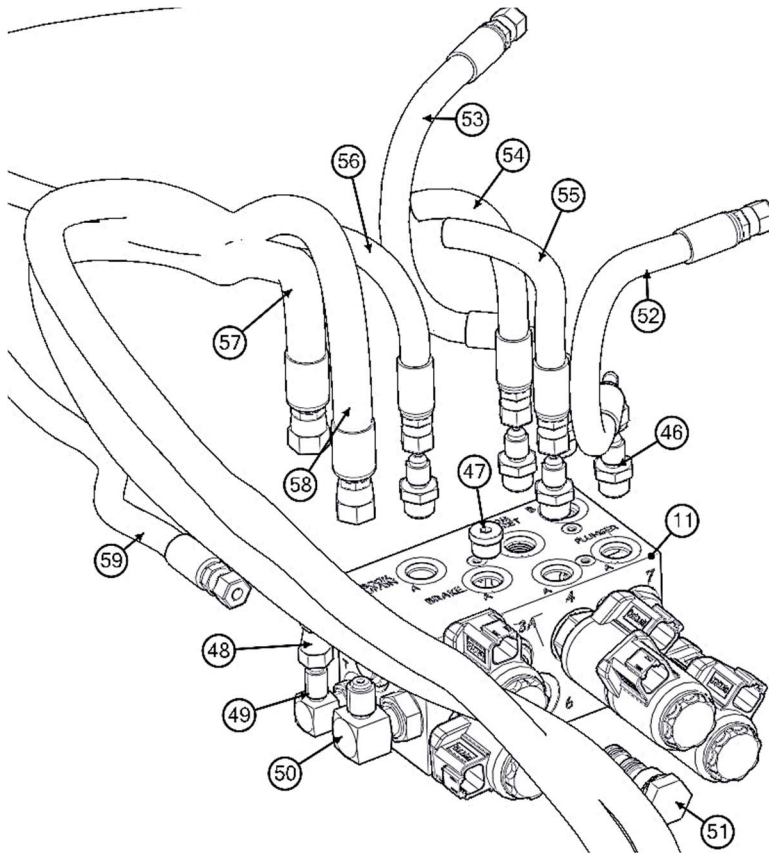
OPTIONS

BOOM ASSEMBLY
TURRET HYD ROTATION



OPTIONS

BOOM ASSEMBLY
TURRET HYD ROTATION



OPTIONS

BOOM ASSEMBLY TURRET HYD ROTATION

BOM ID	Qty	Name
1	1	8043139 STROBE LIGHT DEUTSCH
2	1	8046644 COVER, BOOM LOW PROFILE
3	1	8046696 CONTROL PANEL BOOM OVERRIDE
4	3	X000290 PLUG, ROCKER HOLE
5	1	8092806 RECEIVER, BOOM HR 100
6	2	T401660 ELBOW, 90 6MB 4MJ
7	1	8048198 CYLINDER, BOOM GATE VALVE
8	1	U001570 SCREW,HC 1-8 X 5.00 ZP
9	1	U200170 WASHER, FLAT 1.000
10	1	U120060 NUT, LOCK 1-8 NY ZP G2
11	1	8047331 MANIFOLD, BOOM UPPER ASSY
12	12	U000420 SCREW,HC 3/8-16 X 1.00 ZP G5
13	12	U210060 WASHER, LOCK 3/8 ZP
14	12	U200060 WASHER, FLAT 3/8 ZP
15	1	8044471 COVER, BOOM TURRET CLEANOUT
16	1	8044475 GASKET, BOOM TURRET CLEANOUT
17	2	8041958 BOOM FLEX HOSE ADAPTER WLDMT
18	1	8046758 BOOM HOSE 6-32 1/2"
19	4	U340050 PIN LINCH 3/16 X 1 9/16 ZP
20	2	8041977 BOOM PIVOT CYL BASE PIN
21	2	T400611 REDUCER, 8MB-4MJ
22	1	8046597 CYLINDER, HYD BOOM 3 X 6
23	1	8042432 LEVER, BOOM LIMIT SWITCH
24	1	8042431 SWITCH, LIMIT BOOM
25	1	8042360 BRACKET, BOOM LIMIT SWITCH
26	2	8042376 SPACER, LIMIT SWITCH BRACKET
27	3	8042812 GROMMET, 2"ID X 3"OD X 1/4"WOG
28	1	8043780 GASKET, BOOM BEARING (TOP)
29	1	8042231 BOOM BEARING HYD ROTATION
30	1	8043781 GASKET, BOOM BEARING (BOTTOM)
31	1	8042357 BOOM ROTATION STOP BRACKET
32	1	8042359 BOOM ROTATION STOP BRACKET OPP
33	1	8042351 BOOM ROTATION STOP BASE PLATE
34	1	8042344 BOOM HYD MANIFOLD MTG PLATE
35	1	8049329 MANIFOLD SUBPLATE D03 BOOM HR

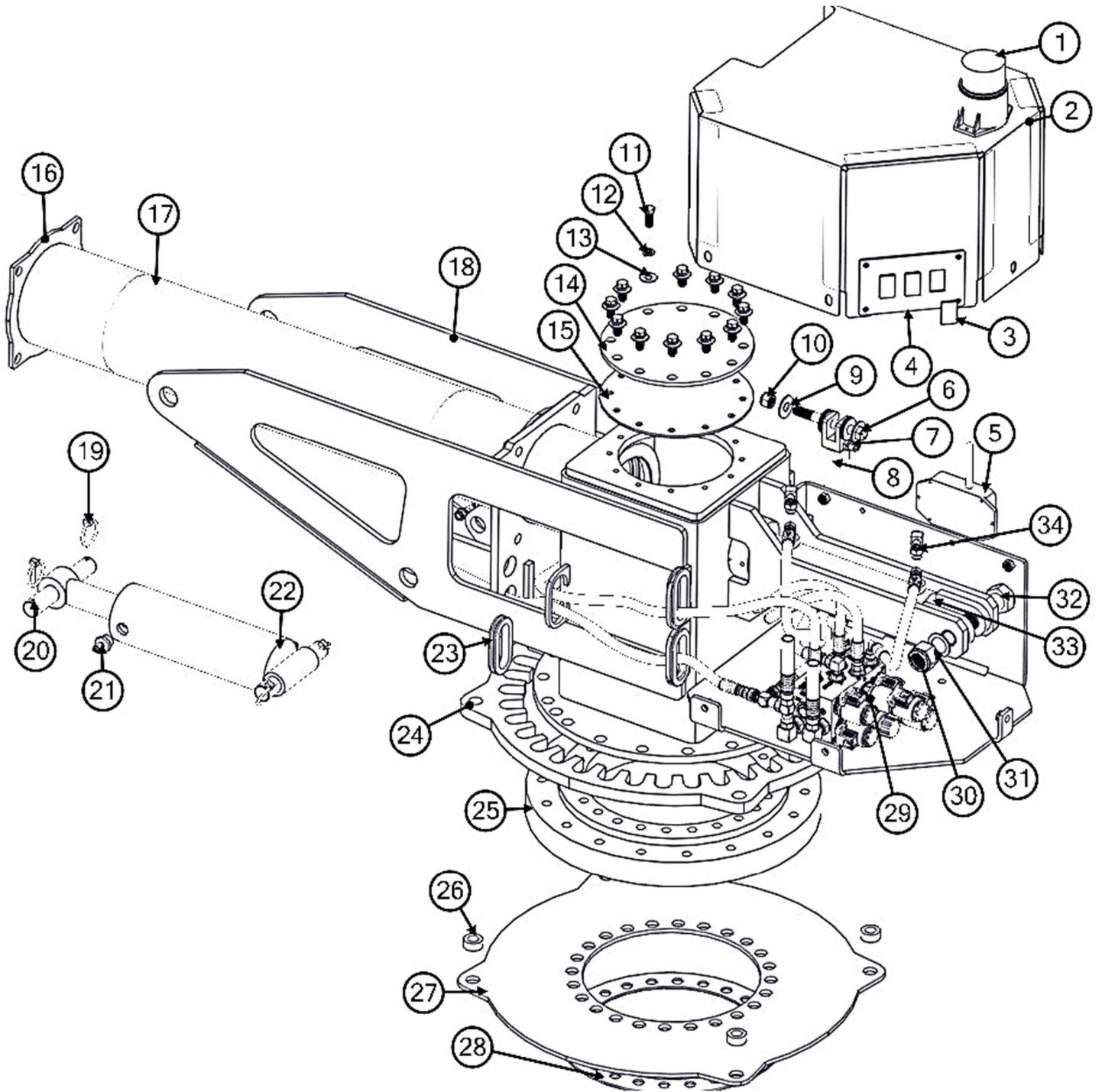
BOM ID	Qty	Name
36	4	T400037 UNION 6MB 6MJ
37	1	8044997 HOSE ASSY VAC 6-13 ST-90
38	1	8044997 HOSE ASSY VAC 6-13 ST-90
39	2	T400035 REDUCER 10MB-6MJ
40	1	8049328 VALVE DIRECTIONAL BOOM HR D03
41	4	U010007 SCREW, HSH #10-24 X 1.25
42	1	8090246 HOSE ASSY VAC 6-48 ST-90
43	1	8090246 HOSE ASSY VAC 6-48 ST-90
44	1	8049418 HOSE ROUTING BRACKET WELDMENT
45	2	T402153 TEE 6FJ 6MJ 6MJ
46	5	T400550 REDUCER 6MB-4MJ
47	1	T405092 PLUG 6MB-HEX SOCKET HOLLOW
48	1	T402010 TEE 4FJ-4MJ-4MJ
49	1	T401660 ELBOW, 90 6MB 4MJ
50	1	T401250 ELBOW, 90 6MB 6MJ
51	1	8049370 PLUG, CAVITY #8 3-WAY
52	1	8047948 HOSE ASSY VAC 4-9 ST-90
53	1	8047949 HOSE ASSY VAC 4-11 ST-90
54	1	8049374 HOSE ASSY VAC 4-120 ST-90
55	1	8047951 HOSE ASSY VAC 4-95 ST-90
56	1	8047714 HOSE ASSY VAC 4-38 ST-90
57	1	8091929 HOSE ASSY VAC 6-140 ST(MJ)-ST
58	1	8091929 HOSE ASSY VAC 6-140 ST(MJ)-ST
59	1	8047714 HOSE ASSY VAC 4-38 ST-90
60	1	J200210 DECAL, REMOTE BOOM CONTROL HYD. ROT.
61	1	X000273 SWITCH, ROCKER (GATE VALVE)
62	1	X000274 SWITCH, ROCKER (EXT/RETRACT)
63	1	X000274 SWITCH, ROCKER (UP/DOWN)
64	1	8048371 BOOM TURRET HYD ROTATION
65	1	X000274 SWITCH, ROCKER (ROTATE)
66	1	8092698 BOX, BOOM CONTROLS
67	1	8092677 PLATE, COVER
68	1	8092678 GASKET, CONTROL BOX
69	1	X000154 CONNECTOR, STRAIN RELIEF 1"

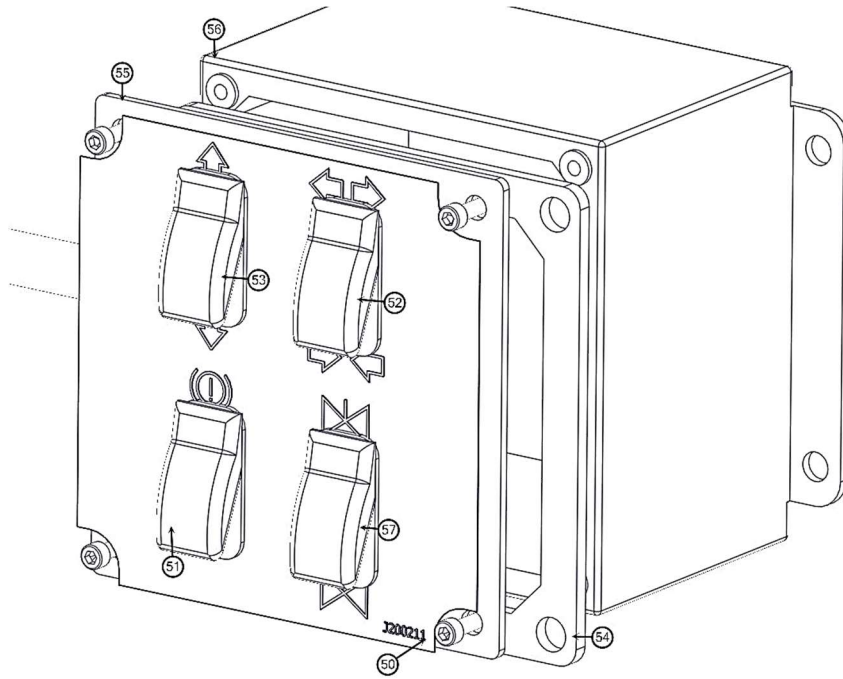
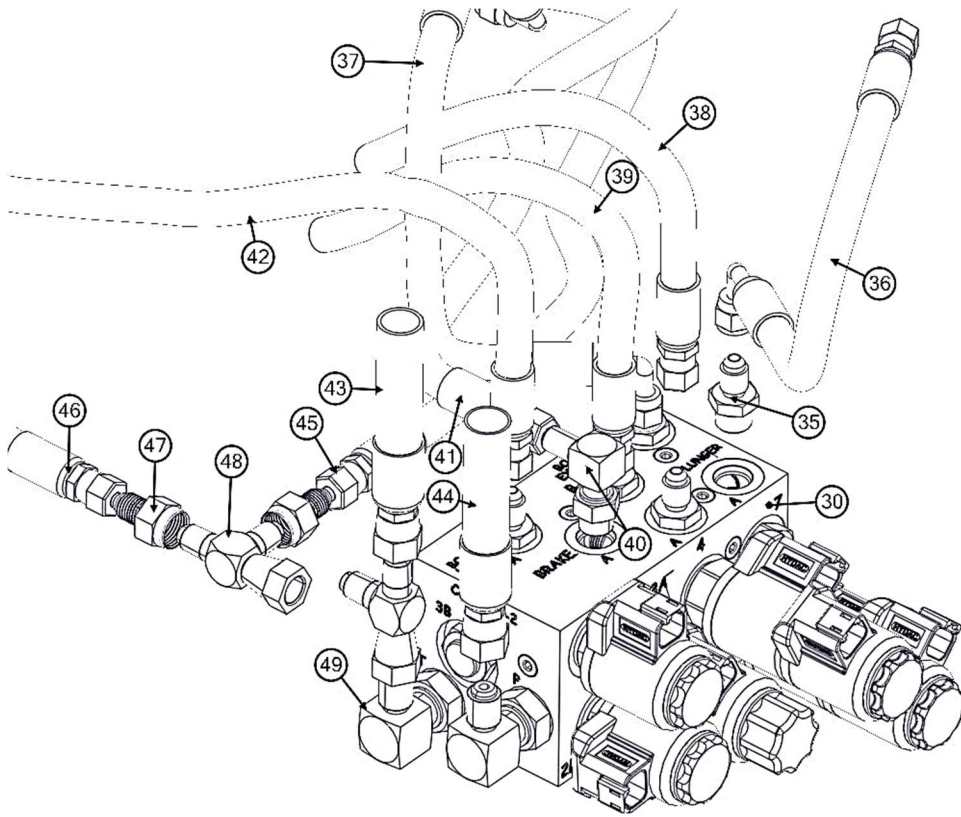
HARNESSES FOR HYDRAULIC ROT. BOOM

X200129 -HARNES 300M
X200130 -HARNES 300M INTERMED ATE
X200132 -HARNES 300M SWITCH BOX

OPTIONS

BOOM ASSEMBLY
TURRET MANUAL ROTATION





OPTIONS

BOM ID	Qty	Name
1	1	8043139 STROBE LIGHT DEUTSCH
2	1	8046644 BOOM COVER WELDMENT
3	3	X000290 PLUG, ROCKER HOLE
4	1	8046696 PANEL CONTROL BOOM OVERRIDE
5	1	8092804 RECEIVER BOOM MANUAL 100
6	1	U000980 SCREW,HC .500-13X4.50 ZP G5 U000980
7	2	T400570 UNION 4MB-4MJ
8	1	8043052 CYLINDER, BOOM BRAKE
9	8	U200100 WASHER, FLAT 1/2 ZP
10	1	U160018 NUT, LOCK 1/2-13 NY ZP
11	12	U000420 SCREW,HC 3/8-16 X 1.00
12	12	U210060 WASHER, LOCK 3/8 ZP
13	12	U200060 WASHER, FLAT 3/8 ZP
14	1	8044471 COVER, CLEANOUT BOOM TURRET
15	1	8044475 GASKET, BOOM TURRET CLEANOUT
16	2	8041958 BOOM FLEX HOSE ADAPTER WELDMENT
17	1	8042103 HOSE AG SUCTION 6-32 1/2"
18	1	8046571 BOOM TURRET LOW PROFILE
19	4	U340050 PIN LINCH 3/16 X 1 9/16"
20	2	8041977 BOOM PIVOT CYLINDER BASE PIN
21	2	T100611 REDUCER, 8MB-4MJ
22	1	8046597 CYLINDER, HYD BOOM 3 X 6
23	5	8042812 GROMMET 2"ID 3"OD 1/4"WOG
24	1	8046688 BRACKET BOOM MNT BRAKE RING
25	1	8042234 SWIVEL BEARING
27	4	8030315 SKID-WATER TANK CLEVIS TUBE
28	1	8046690 BRACKET BOOM LWR STOP RING
29	1	8043781 GASKET, BOOMBRG BOT SMALL 13.5"
30	1	8047331 MANIFOLD ASSY BOOM (UPPER)

BOOM ASSEMBLY

TURRET MANUAL ROTATION

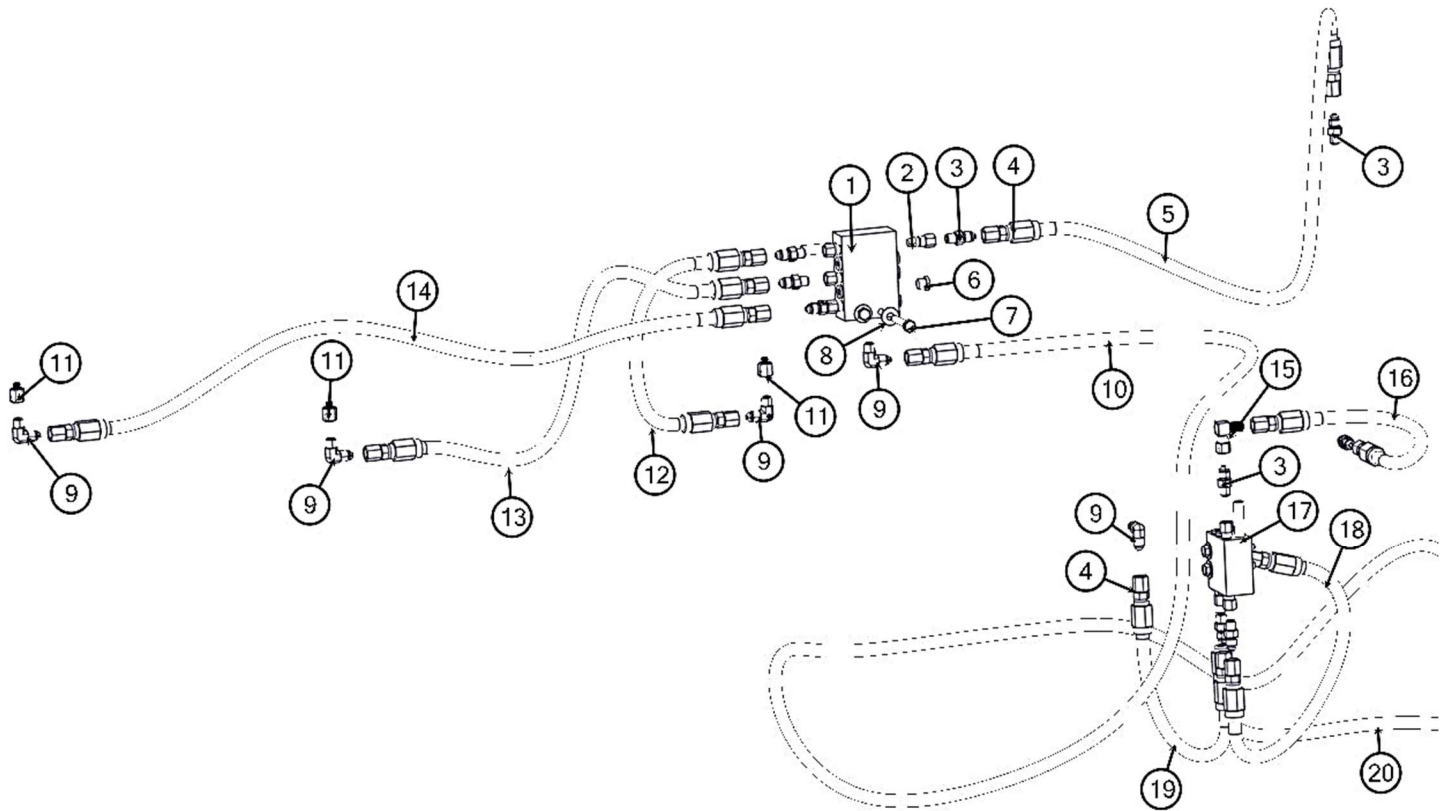
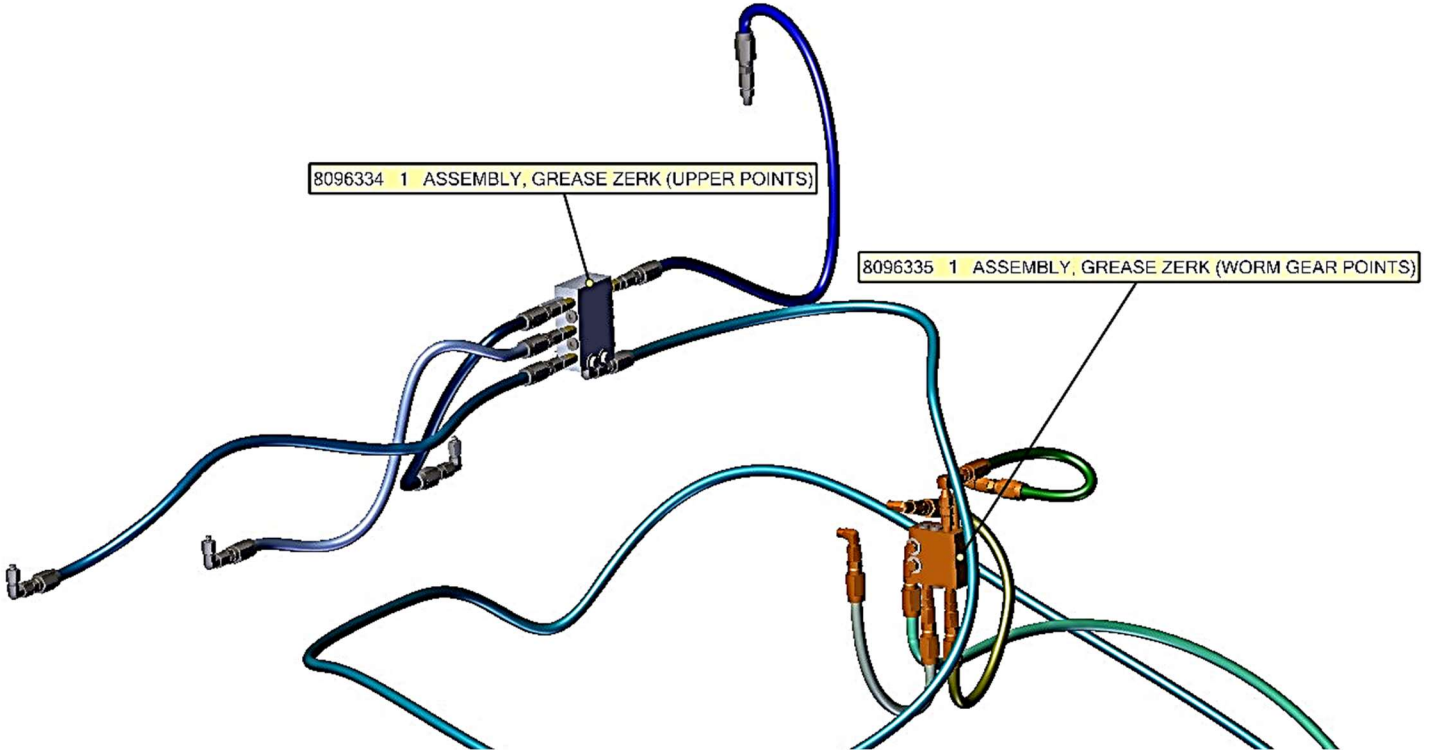
BOM ID	Qty	Name
31	1	U120060 NUT, LOCK 1-8 NY ZP G2
32	2	U200170 WASHER, FLAT 1.000
33	1	U001570 SCREW,HC 1-8 X 5.00 ZP
34	1	8048198 CYLINDER, HYD 2" X 8"
35	4	T400550 REDUCER 6MB-4MJ
36	1	8047948 HOSE ASSY VAC 4-9" ST-90
37	1	8047949 HOSE ASSY VAC 4-11" ST-90
38	1	8047951 HOSE ASSY VAC 4-95" ST-90
39	1	8049374 HOSE ASSY VAC 4-120" ST-90
40	1	T401660 ELBOW, 90 6MB-4MJ
41	1	8044745 HOSE ASSY VAC 4-20" ST-90
42	1	8047714 HOSE ASSY VAC 4-38" ST-90
43	1	8049287 HOSE ASSY VAC 6-50" ST-90
44	1	8049287 HOSE ASSY VAC 6-50" ST-90
45	1	8044745 HOSE ASSY VAC 4-20" ST-90
46	1	8047714 HOSE ASSY VAC 4-38" ST-90
47	2	T400022 REDUCER 6FJ-4MJ
48	2	T402153 TEE 6FJ-6MJ-6MJ
49	2	T401250 ELBOW, 90 6MB-6MJ
50	1	J200211 DECAL, REMOTE BOOM CONTROL MANUAL ROT.
51	1	X000274 SWITCH, ROCKER (BRAKE)
52	1	X000274 SWITCH, ROCKER (EXTEND/RETRACT)
53	1	X000274 SWITCH, ROCKER (UP/DOWN)
54	1	8092678 GASKET, BOOM CONTROL BOX
55	1	8092677 COVER PLATE
56	1	8092698 BOX, BOOM CONTROLS
57	1	X000271 SWITCH, ROCKER (GATE VALVE)

HARNESSES FOR BOOM MANUAL ROTATION

X200129 HARNESSES BOOM
X200130 HARNESSES BOOM INTERMEDIATE
X200132 HARNESSES BOOM SWITCH BOX

OPTIONS

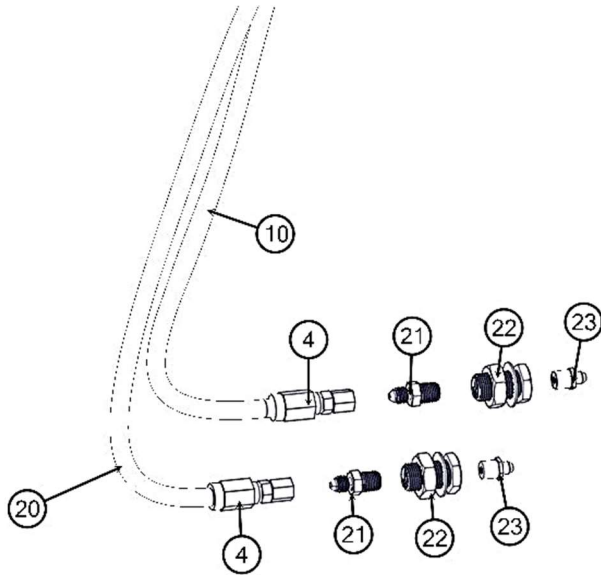
BOOM ASSEMBLY GREASE ZERKS



OPTIONS

BOOM ASSEMBLY

GREASE ZERKS

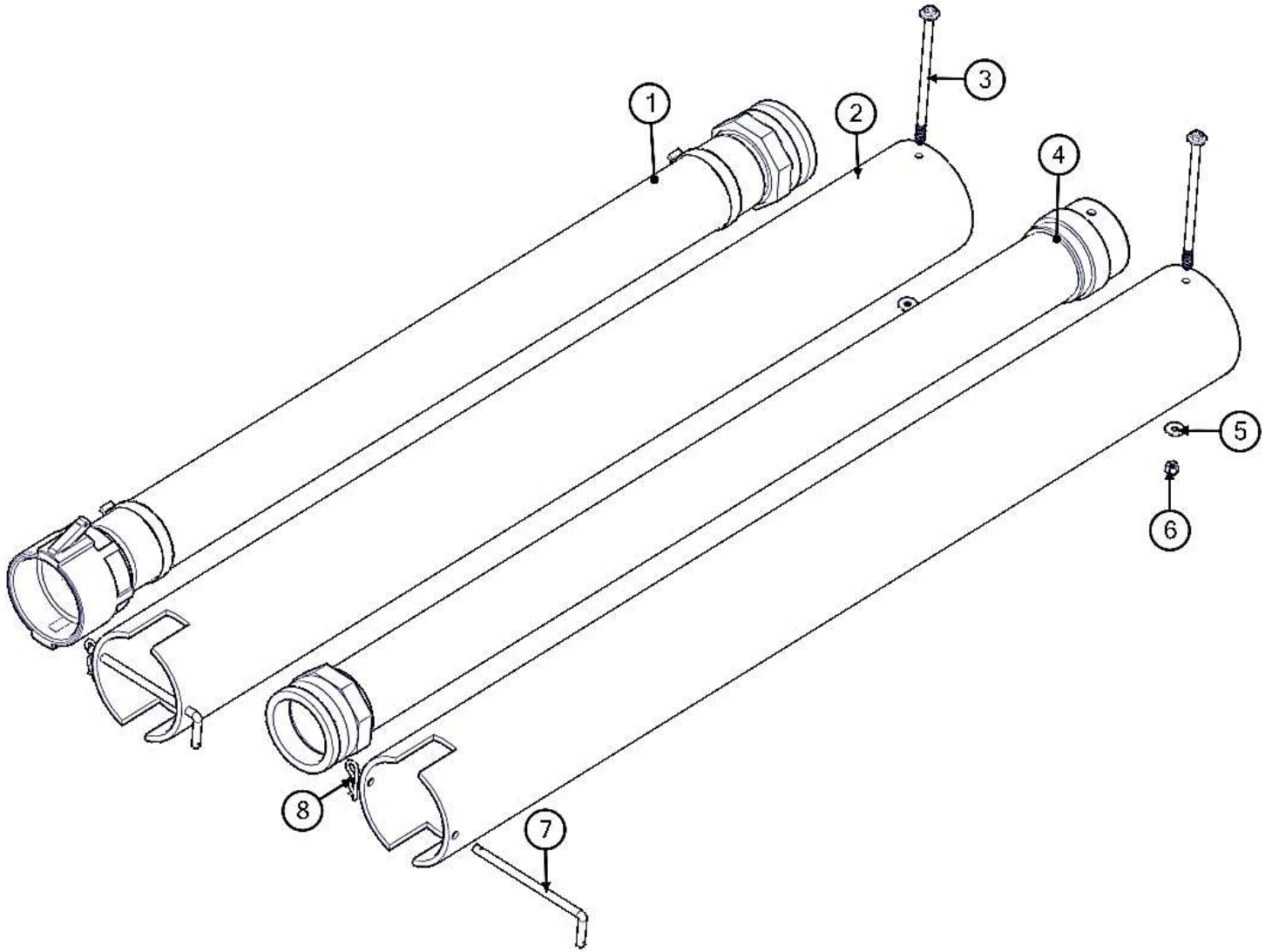


BOM ID	Qty	Description
1	1	8096338 VALVE, DIVIDER GREASE 10 OUTLETS
2	7	8096340 FITTING, PVB OUTLET W/CV M10X1 - 1/8NPTF
3	9	T400010 REDUCER, 1/8"MP - 1/4"MJ
4	18	8096341 FITTING, HOSE REUSEABLE 4FJ
5	1	8096342-030.00 HOSE, 1/4"ID X 30"LG
6	9	8096339 PLUG, "C" PORTING
7	4	U000120 SCREW, HC .250-20 X 2.00 ZP G5
8	8	U200020 WASHER, FLAT .250 ZP
9	7	T401095 ELBOW, 90 1/8"MP - 1/4"MJ
10	1	8096342-185.00 HOSE, 1/4"ID X 185"LG
11	3	T500211 FITTING, GREASE STR ADAPTER
12	1	8096342-022.00 HOSE, 1/4"ID X 22"LG
13	1	8096342-022.00 HOSE, 1/4"ID X 22"LG
14	1	8096342-034.00 HOSE, 1/4"ID X 34"LG
15	1	T401225 ELBOW, 90 4FJ - 4MJ
16	1	8096342-016.00 HOSE, 1/4"ID X 16"LG
17	1	8096337 VALVE, DIVIDER GREASE 6 OUTLETS
18	1	8096342-016.00 HOSE, 1/4"ID X 16"LG
19	1	8096342-013.00 HOSE, 1/4"ID X 13"LG
20	1	8096342-080.00 HOSE, 1/4"ID X 80"LG
21	2	T400020 UNION, 4MP - 4MJ
22	2	T400383 BULKHEAD, 1/4"FP X 1/4"FP
23	2	T500100 FITTING, GREASE .250 NPT STR

OPTIONS

BOOM ASSEMBLY

TOOLS

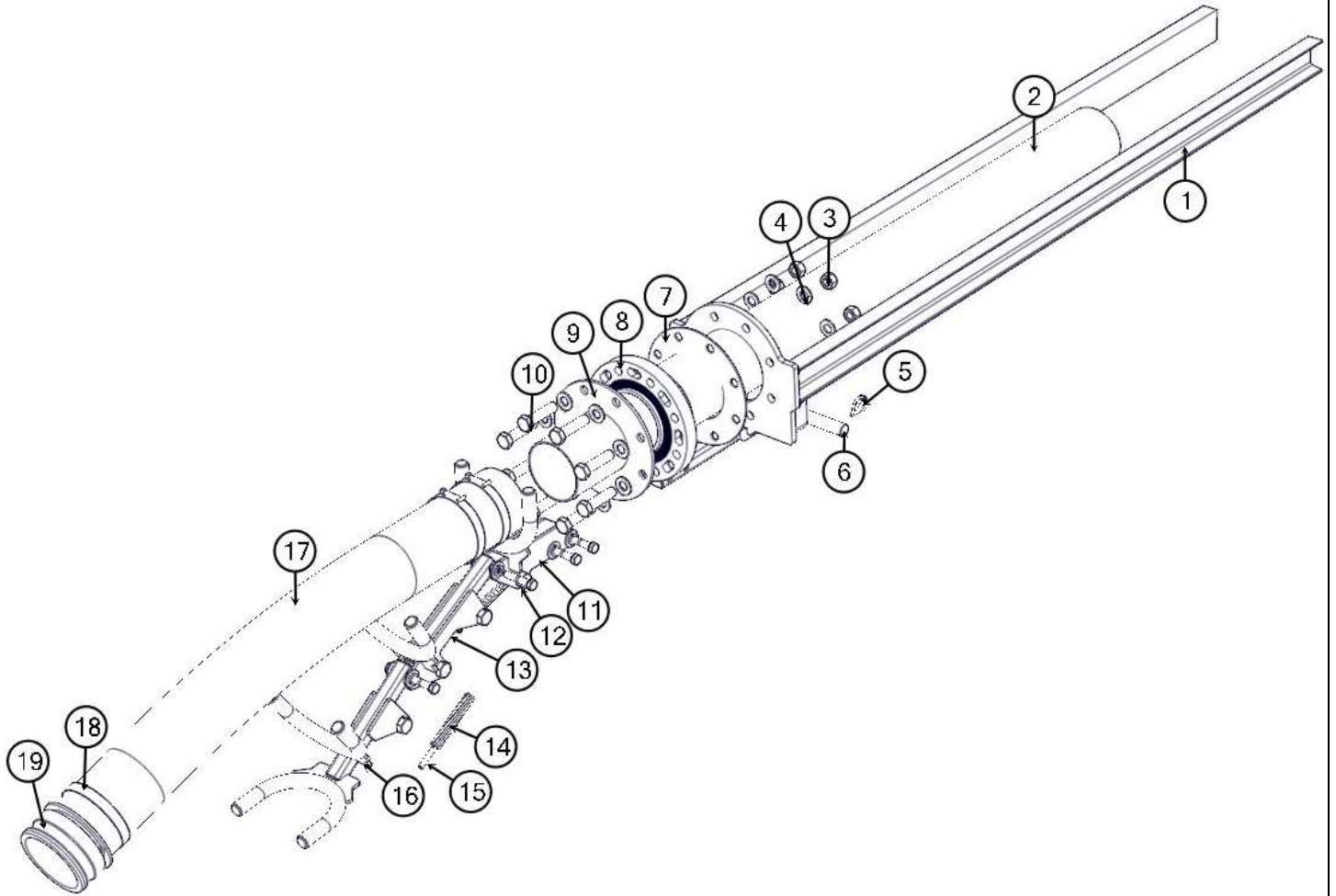


OPTIONS**BOOM ASSEMBLY****TOOLS**

BOM ID	Qty	Name
1	1	8042137 BOOM HOSE EXTENSION
2	2	8042222 BOOM EXTENSION HOSE STORAGE
3	2	U000681 SCREW,HC 3/8-16 X 9.00
4	1	8042138 BOOM HOSE EXT. w_ 4in UNION PVC (5FT)
5	4	U200060 WASHER, FLAT 3/8 ZP
6	2	U120110 NUT, LOCK 3/8-16 NY ZP
7	2	8041101 HOSE STORAGE RETAINING ROD
8	2	R700160 R-CLIP

OPTIONS

BOOM ASSEMBLY
EXTENSION ARM 5"



OPTIONS

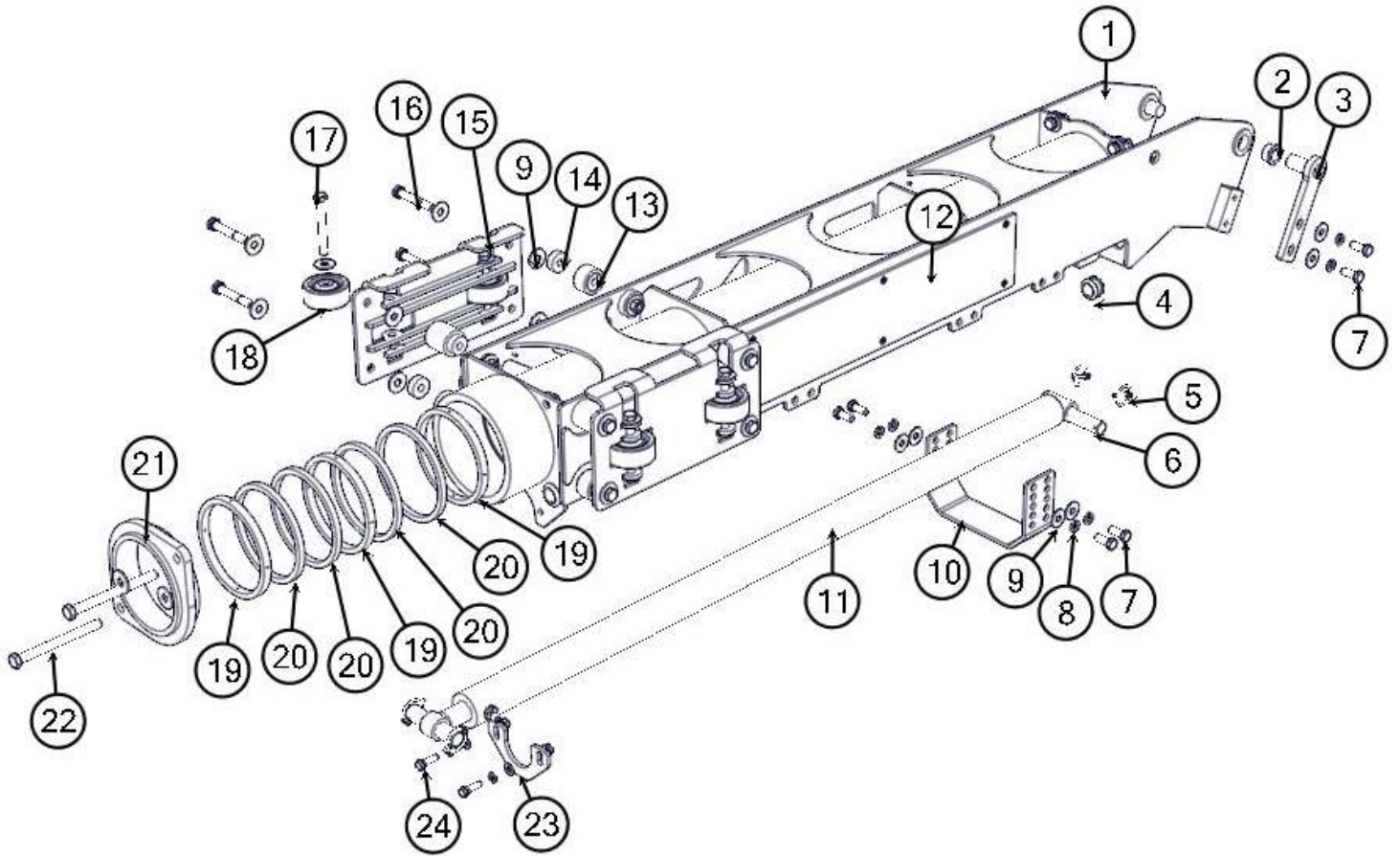
**BOOM ASSEMBLY
EXTENSION ARM 5"**

BOM ID	Qty	Description
1	1	8047655 WELDMENT, BOOM EXTENSION ARM 5"
2	1	8047642 TUBE, PVC 5" BOOM 60"LG
3	11	U100200 NUT, HEX .750-10 ZP G2
4	16	U200160 WASHER, FLAT .750 ZP
5	2	U340050 PIN LINCH 3/16 X 1 9/16 ZP
6	1	8041990 BOOM PIVOT CYL ROD PIN
7	1	8047647 GASKET, 5" PVC FLANGE
8	1	8047644 FLANGE, 5" PVC BOLT
9	1	8047648 MOUNT, 5" BOOM HOSE WELDMENT
10	8	U001450 SCREW, HC .750-10 X 3.00 ZP G8
11	1	8047645 WELDMENT, PIVOT END 5" BOOM
12	4	U000900 SCREW, HC .500-13 X 2.50 ZP G5
13	1	8047671 WELDMENT, PIVOT END 2 5" BOOM
14	2	8046771 SPRING, 3/8-5.00" 480LB PER INCH
15	2	U000635 SCREW, HC .375-16 X 6.50 ZP CR5
16	1	8047672 WELDMENT, PIVOT END 3 5" BOOM
17	1	8047674 HOSE AG SUCTION 5 - 45"LG 5"BOOM
18	3	8047683 CLAMP HOSE T-BOLT 550
19	1	8047476 COUPLING, AL 5" MCAM X 5" BARB

OPTIONS

BOOM ASSEMBLY

PIVOT ARM 5"



OPTIONS

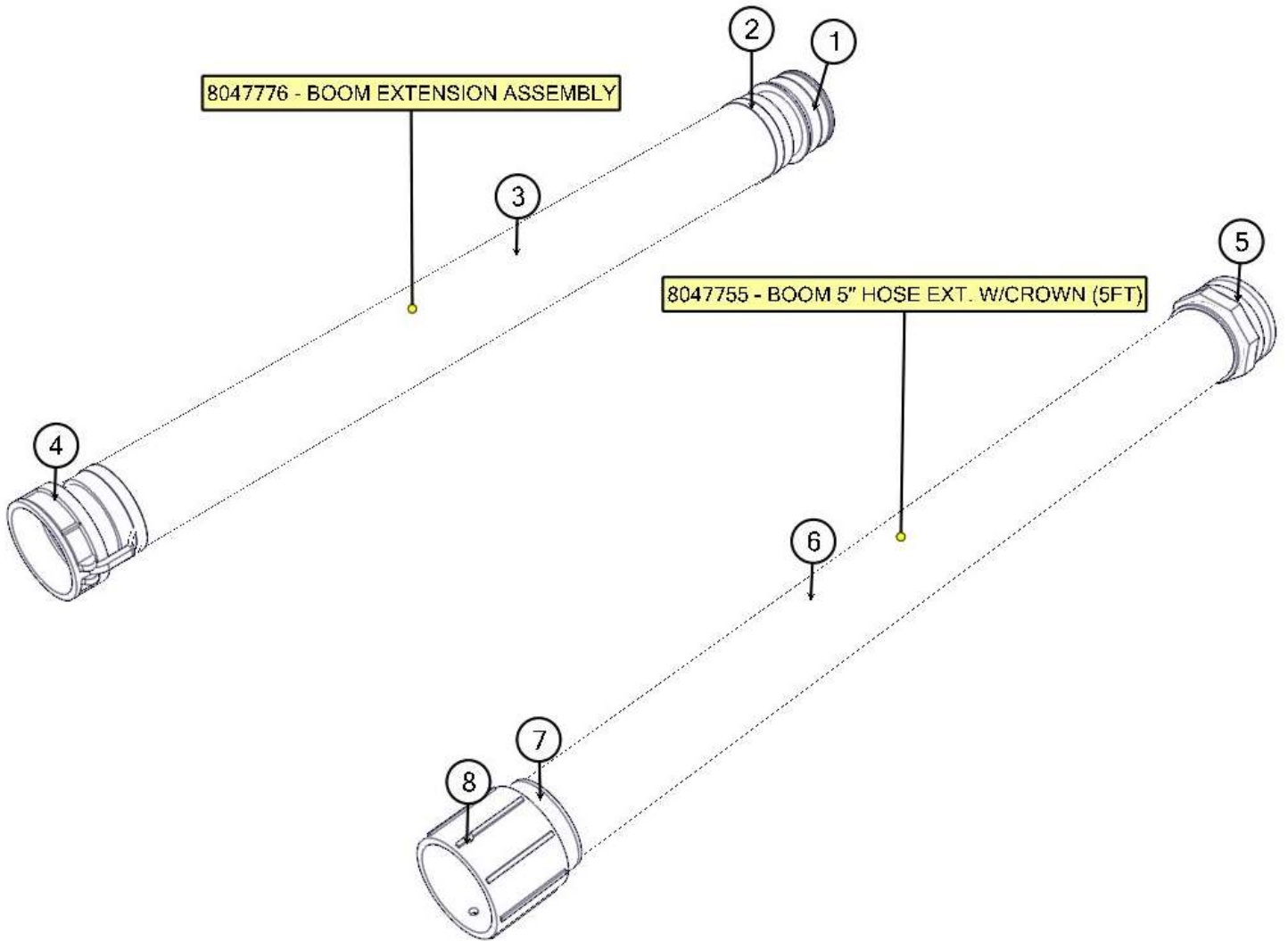
BOOM ASSEMBLY

PIVOT ARM 5"

BOM ID	Qty	Description
1	1	8047640 WELDMENT, BOOM 5" PIVOT ARM
2	2	8041883 BUSHING, BRONZE 1.25 X 1.00 X .63 FL
3	2	8046634 BOOM PIVOT PIN LP
4	5	8041686 GROMMET, 1"ID X 1 1/2"OD X 1/2"WOG
5	4	U340050 PIN LINCH 3/16 X 1 9/16 ZP
6	2	8041990 BOOM PIVOT CYL ROD END
7	8	U000820 SCREW, HC .500-13 X 1.25 ZP G5
8	13	U210100 WASHER, LOCK .500 ZP
9	50	U200100 WASHER, FLAT .500 ZP
10	1	8046635 BRACKET, BOOM CRADLE FOOT LP
11	1	8041926 CYLINDER, HYD BOOM 2 X 48"
12	2	8041986 GLIDE SHEET PIVOT ARM BOOM
13	4	W000055 BEARING, CAMROL 1.75 X 1.00 X .500
14	2	8046624 BOOM CAM ROLLER SPACER LP
15	2	8046627 BOOM EXTENSION ARM CAPTURE LP
16	8	U000940 SCREW, HEX 1/2-13 X 3.50
17	4	U000960 SCREW, HC .500-13 X 4.00 ZP G5
18	4	8030226 WHEEL PLASTIC FLUIDSWEEPER
19	3	8047675 SLEEVE, PLASTIC 5" BOOM
20	4	8047684 PACKING RING 5" BOOM
21	1	8047678 PACKING GLAND 5" BOOM WELDMENT
22	2	U001020 SCREW, HC .500-13 X 5.50 ZP G5
23	1	8041956 BOOM PIVOT ARM CYL RET PLATE
24	2	U000440 SCREW, HC .375-16 X 1.25 ZP G5

OPTIONS

BOOM ASSEMBLY TOOLS 5"



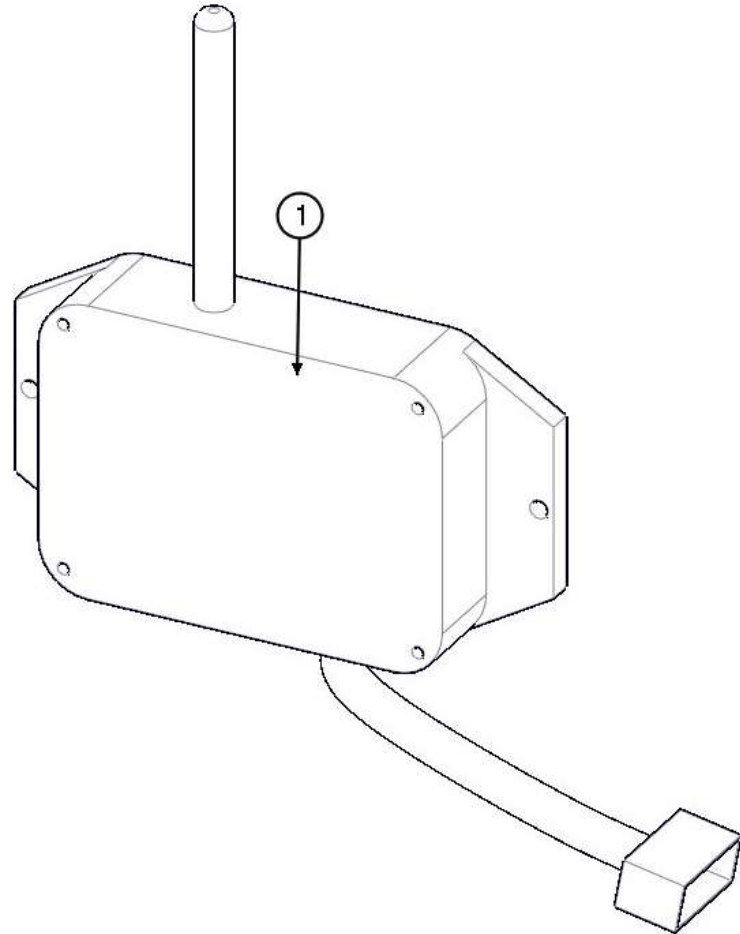
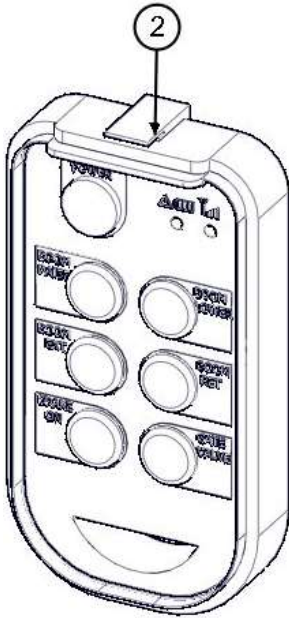
OPTIONS**BOOM ASSEMBLY****TOOLS 5"**

BOM ID	Qty	Description
1	1	8047476 COUPLING, AL 5" MCAM X 5" BARB
2	2	8045459 CLAMP HOSE T-BOLT 575
3	1	8047777 HOSE, BOOM EXTENSION 57"LG
4	1	8047475 COUPLING, AL 5" FCAM X 5" BARB
5	1	8047473 COUPLING, AL 5" MCAM X 5" FNPT
6	1	8047756 TUBE, ALUMINUM 5" X 57"LG
7	1	8047757 5" HALF CLOSE NIPPLE
8	1	8047758 5"FP - 5"FEM. SKT X FNPT - PVC W/HOLES

OPTIONS

BOOM ASSEMBLY

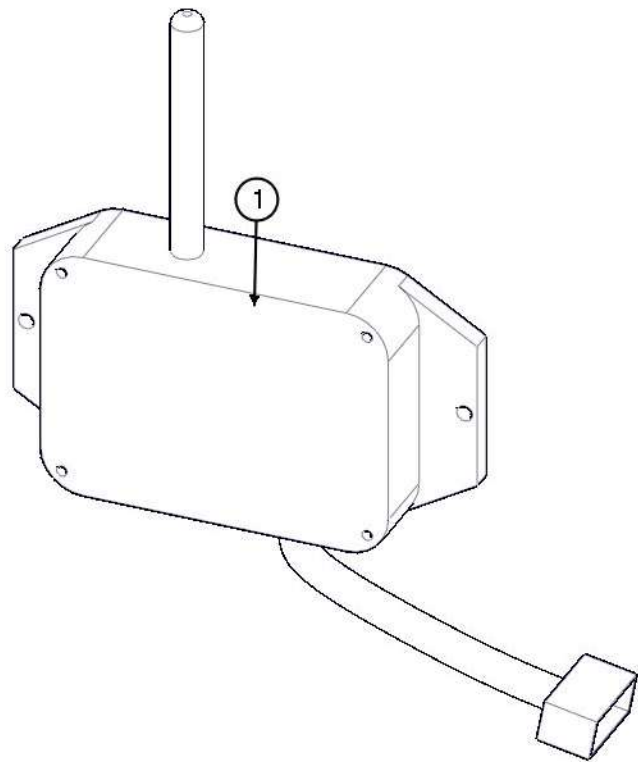
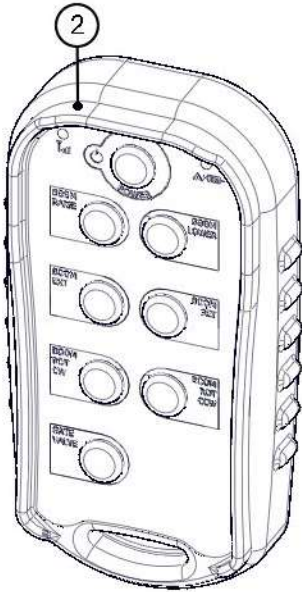
REMOTES



BOM ID	Qty	Name
1	1	8092804 RECEIVER, BOOM MANUAL
2	1	8092803 REMOTE CONTROL BOOM MANUAL

OPTIONS

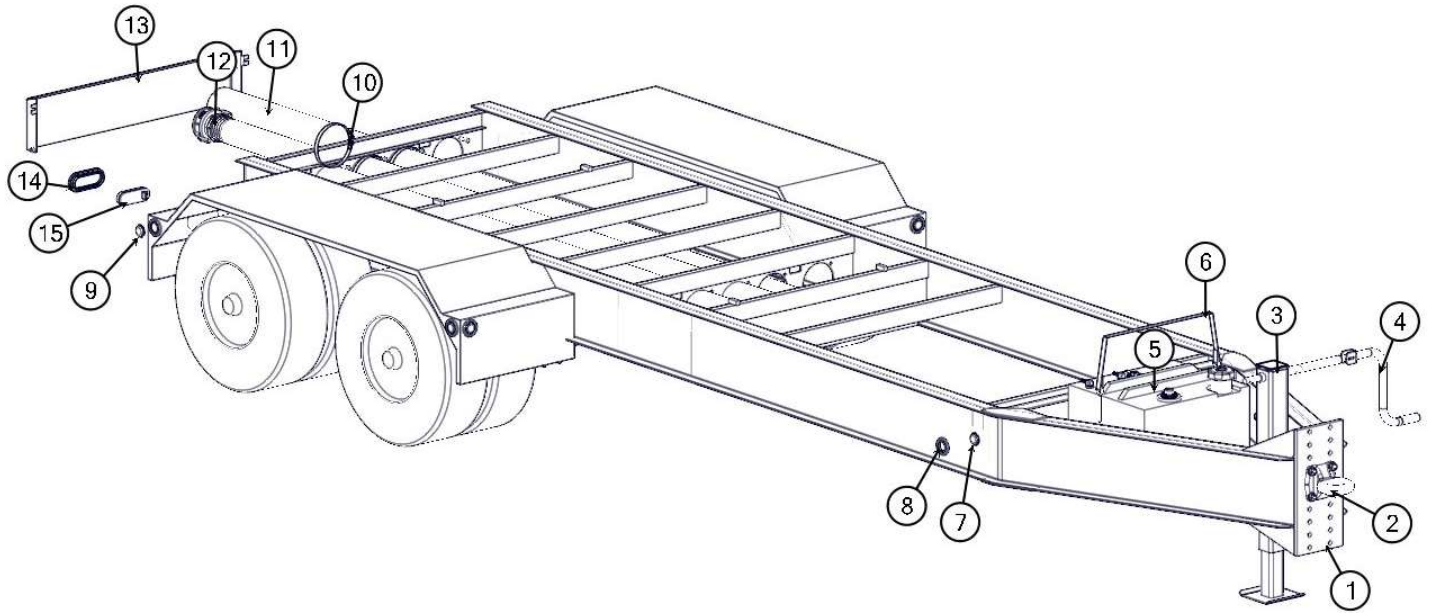
BOOM ASSEMBLY REMOTES



BOM ID	Qty	Name
1	1	8092806 RECEIVER HYD. ROT. BOOM
2	1	8092805 REMOTE CONTROL BOOM HYD ROTATION

OPTIONS

JETTER ASSEMBLY TRAILER



OPTIONS

**JETTER ASSEMBLY
TRAILER**

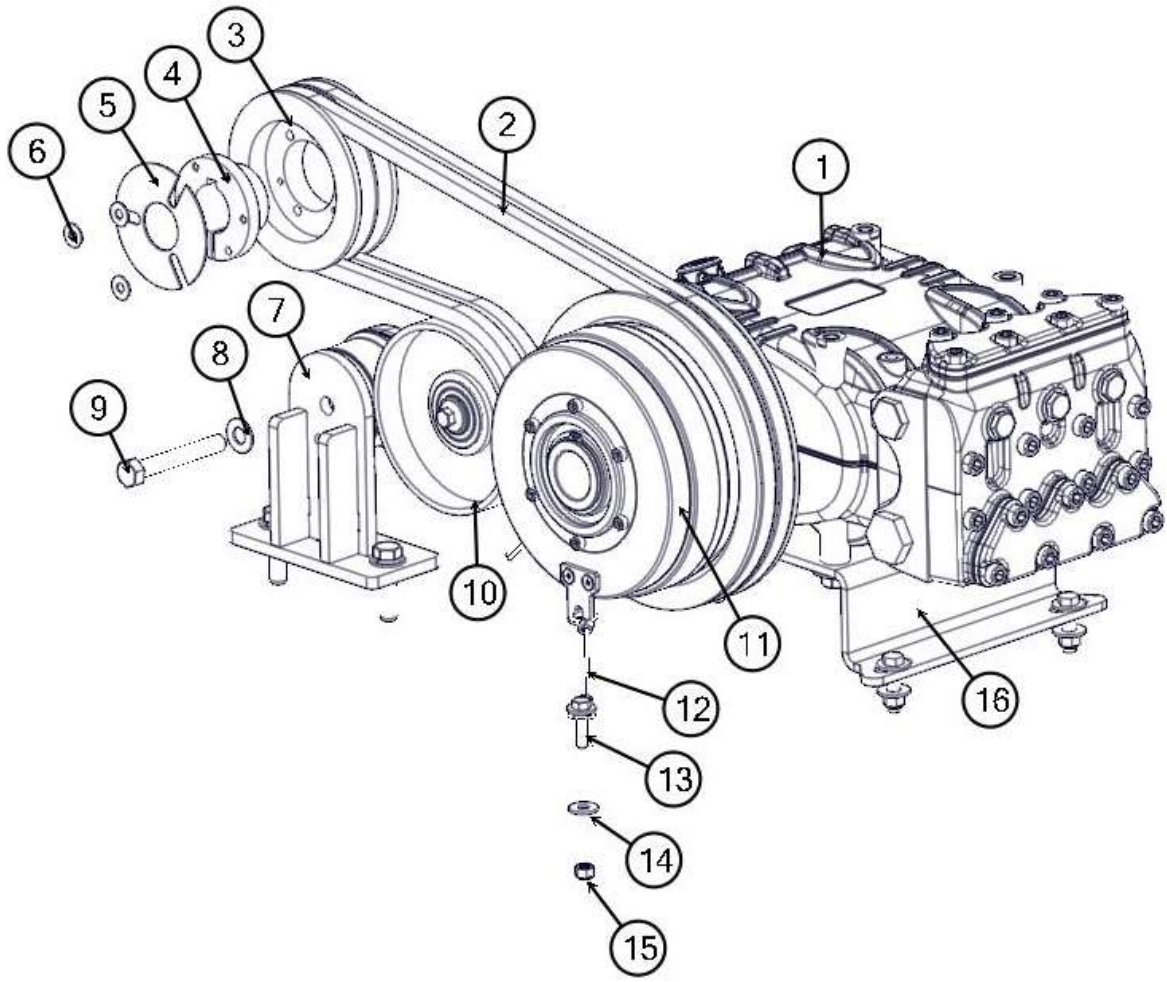
BOM ID	Qty	Description
1	1	8043785 TRAILER, I-BEAM 1226
2	1	8045366 PINTLE EYE (4 BOLT)
3	1	8043548 JACK, MANUAL
4	1	8043984 HANDLE, JACK MANUAL
5	1	8042380 TANK, FUEL PLASTIC 22 GAL DIESEL
6	1	8043359 STRAP, EYEBOLT 1" X 49.5" OAL
7	6	8044000 LIGHT, TRAILER 2" MARKER YELLOW
8	10	8044002 GROMMET, LIGHT 2in RUBBER
9	4	8043999 LIGHT, TRAILER 2" MARKER RED
10	3	8093153 CLAMP HOSE T-BOLT 750
11	3	8041102 HOSE STORAGE 6" X 10'
12	3	8041100 HOSE ASSY VAC 4" X 10' W/CAMS
13	1	8044809 TAILGATE COVER I-BEAM TRAILERS
14	2	8091471 GROMMET,LIGHT OVAL LED
15	2	8091470 LIGHT, TRAILER OVAL LED_RED

***NOT SHOWN**

8046100	2	AXLE
8046110	1	BRAKE ASSEMBLY (LH)
8046111	1	BRAKE ASSEMBLY (RH)
8046107	4	MAGNET KIT
8046109	2	ADJUSTER KIT (RH)
8046100-02	2	ADJUSTER KIT (LH)
8046108	2	SHOE KIT (RH)
8046100-03	2	SHOE KIT (LH)
8046098	4	TIRE, ST 215 X 75 R17.5
8045369	4	WHEEL, 17.5 X 6.75

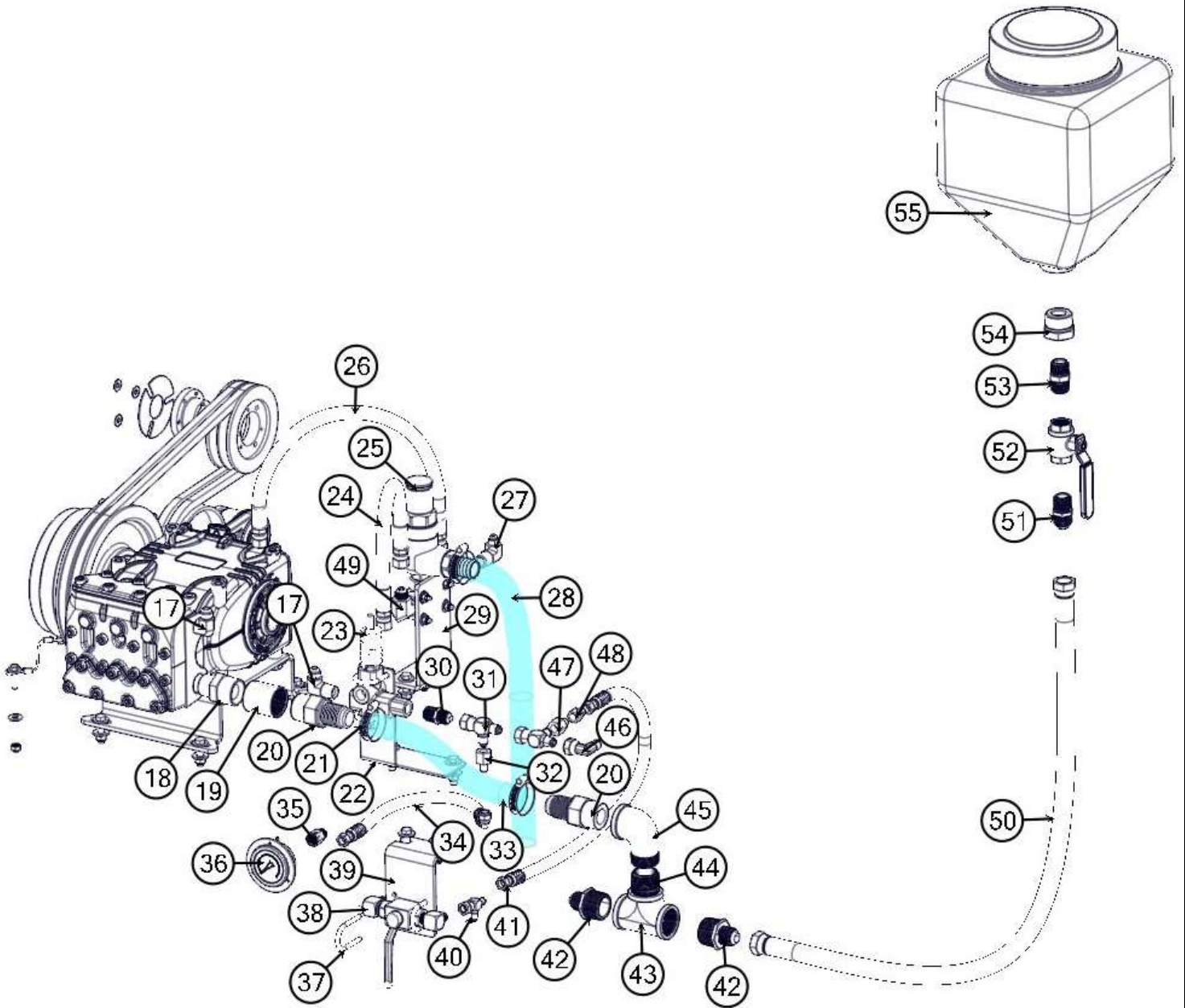
OPTIONS

JETTER ASSEMBLY
WATER PUMP



OPTIONS

JETTER ASSEMBLY WATER PUMP



OPTIONS

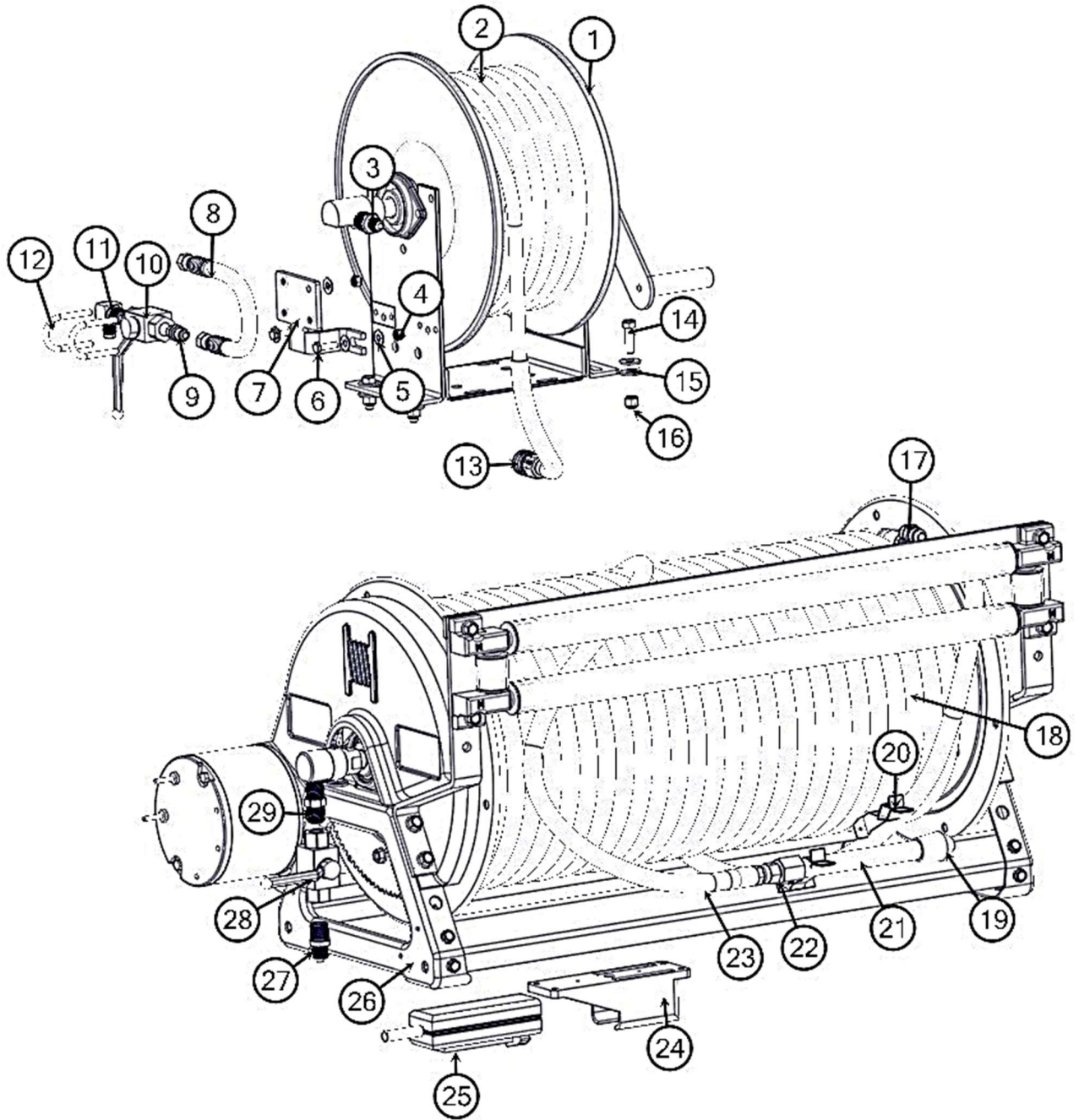
JETTER ASSEMBLY WATER PUMP

BOM ID	Qty	Description
1	1	8042352 PUMP, WA IFR KF24A
2	2	8049066 BELT, BP55
3	1	8090884 SHEAVE 5.50" DIA OD2:5V5.50
4	1	8040960 BUSHING, SDS 1 7/16"
5	1	8048364 RFTAINFR FOR 1 1/2" BUSH HOIF
6	3	U200020 WASHER, FLAT .250 ZP
7	1	8095960 WELDMENT, TENSIONER BELT BRACKET
8	2	U200110 WASHER, FLAT .500 ZP SAE HARD
9	1	U001655 SCREW, HC 12MM X 1.75 X 90MM G8.8
10	1	8096205 PULLEY, AUTO TENSIONER FLAT FACED
11	1	8092240 CLUTCH, FICTRIC 30MM SHAFT 9.75 DR SHFAVF
12	1	X11001R CABLE, COATED 3/32"OD X 10"LG
13	1	U000220 SCREW, HC .312-18 X 1.25 ZP G5
14	2	U200040 WASHER, FLAT .312 ZP
15	1	U110040 NUT, HEX .312-18 NY ZP G2
16	1	8096495 MOUNT, WATER PUMP JETTER
17	2	T401140 ELBOW, 90 8MP-8MJ
18	1	T400018 REDUCER, 1"MP - 1 1/4"MP
19	1	T422080 COUPLING, PIPE 1 1/4"FP
20	2	8041312 FITTING, 1 1/4"MP - 1 1/4"HB
21	3	8040677 CLAMP, HOSE 1 1/4 - 2 1/8 ID
22	1	8093220 MOUNT, UNLOADER ENGINE PLATE
23	1	8030341 VALVE, UNLOADER GREEN SPRING
24	1	8096554 HOSE ASSY VAC 8 - 18" ST-ST
25	1	8040550 VALVE, SAFETY RELIEF KF24A
26	1	8096231 HOSE ASSY VAC 8 - 22"LG ST-ST
27	1	T401135 ELBOW, 90 8MP-6MJ
28	1	8090497 HOSE VAC CLEAR VINYL 1 1/4 - 20'LG
29	1	8096520 BRACKET, RELIEF VALVE
30	1	T400040 UNION, 8MP-8MJ
31	2	T402155 TFF, 8FJ-8MJ-8MJ
32	1	T400705 REDUCER, 8FJ-8MJ
33	1	8096553 HOSE VAC CLEAR VINYL 1 1/4 - 13'LG
34	1	8093442 HOSE ASSY VAC 6 - 15" S1-90
35	1	8031126 REDUCER, 4FP-6MJ
36	1	8030372 GAUGE, 5000 PSI 2.5" LF CBM
37	6	U010017 U-BOLT .250-20
38	2	T401102 ELBOW, 90 6MP-6MJ
39	1	8040670 BRACKET, BALL VALVE
40	1	T402153 TEE, 8FJ-6MJ-6MJ
41	1	8093417 HOSE ASSY VAC 6 - 26"LG ST-ST
42	2	T403017 REDUCER 20MP-12MJ
43	1	8041310 TEE, 1.25 FP ALL LEGS GALVANIZE
44	1	T421040 NIPPLE, CLOSE 1 1/4"MP BLK
45	1	8041311 ELBOW, 90 1.25 STREET EL GALVAN
46	1	T401525 ELBOW, 90 8FJ-8MJ
47	1	T400705 REDUCER, 8FJ-6MJ
48	1	8042267 ORIFICE 6MJ-6FJ .094"
49	1	T401160 ELBOW, 90 12MP-8MJ
50	1	8030539-041.00 HOSE, PUSHLOCK 12 X 41'LG
51	1	T400100 UNION, 12MP-12MJ
52	1	T000185 VALVE, BALL 3/2" FNPT BRASS
53	1	T400800 UNION 12MP-12MP
54	1	T403100 REDUCER 20MP-12FP
55	1	8030394 TANK,ANTIFREEZE 4 GALL W CAP

OPTIONS

JETTER ASSEMBLY

HOSE REEL

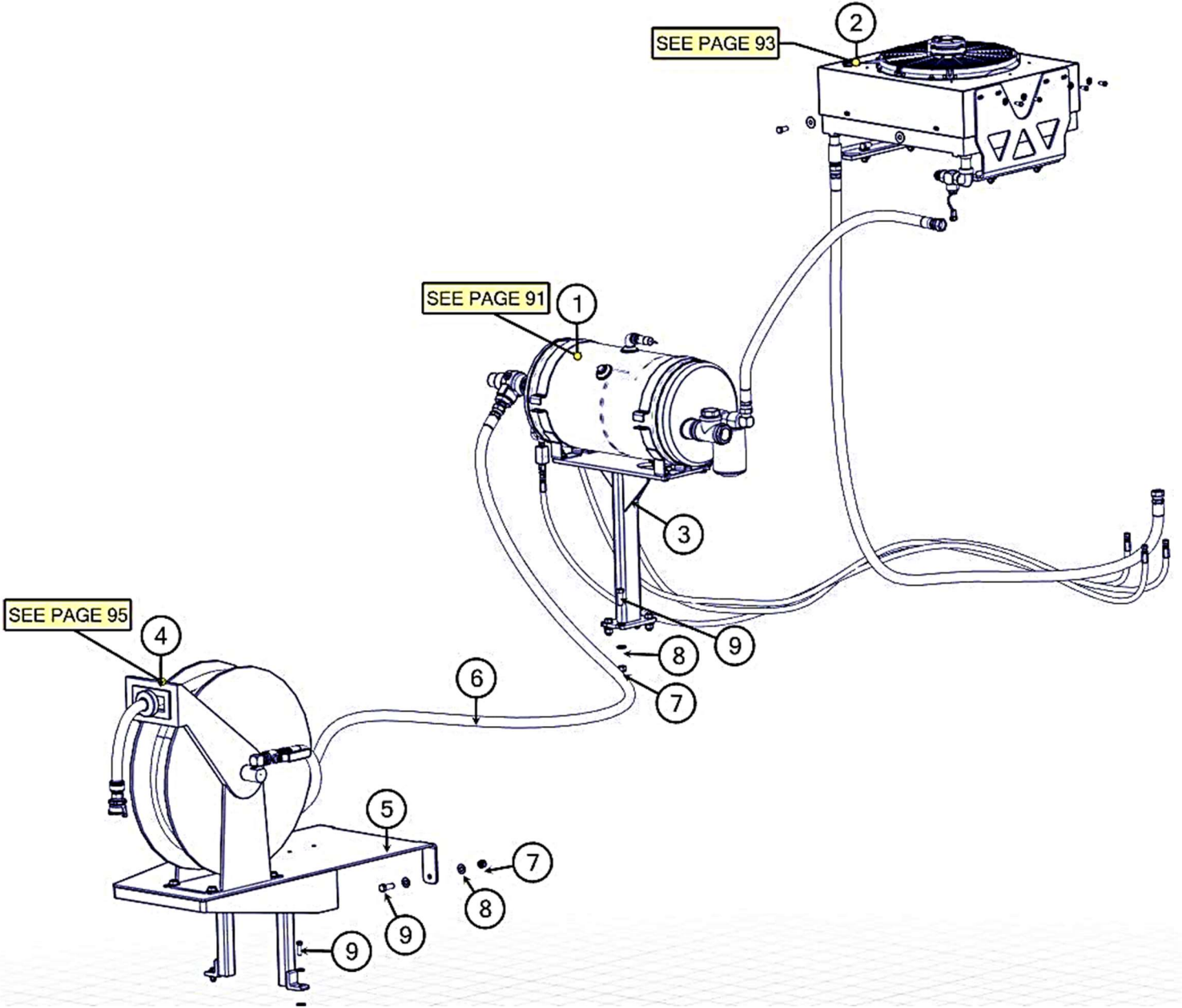


OPTIONS

JETTER ASSEMBLY

HOSE REEL

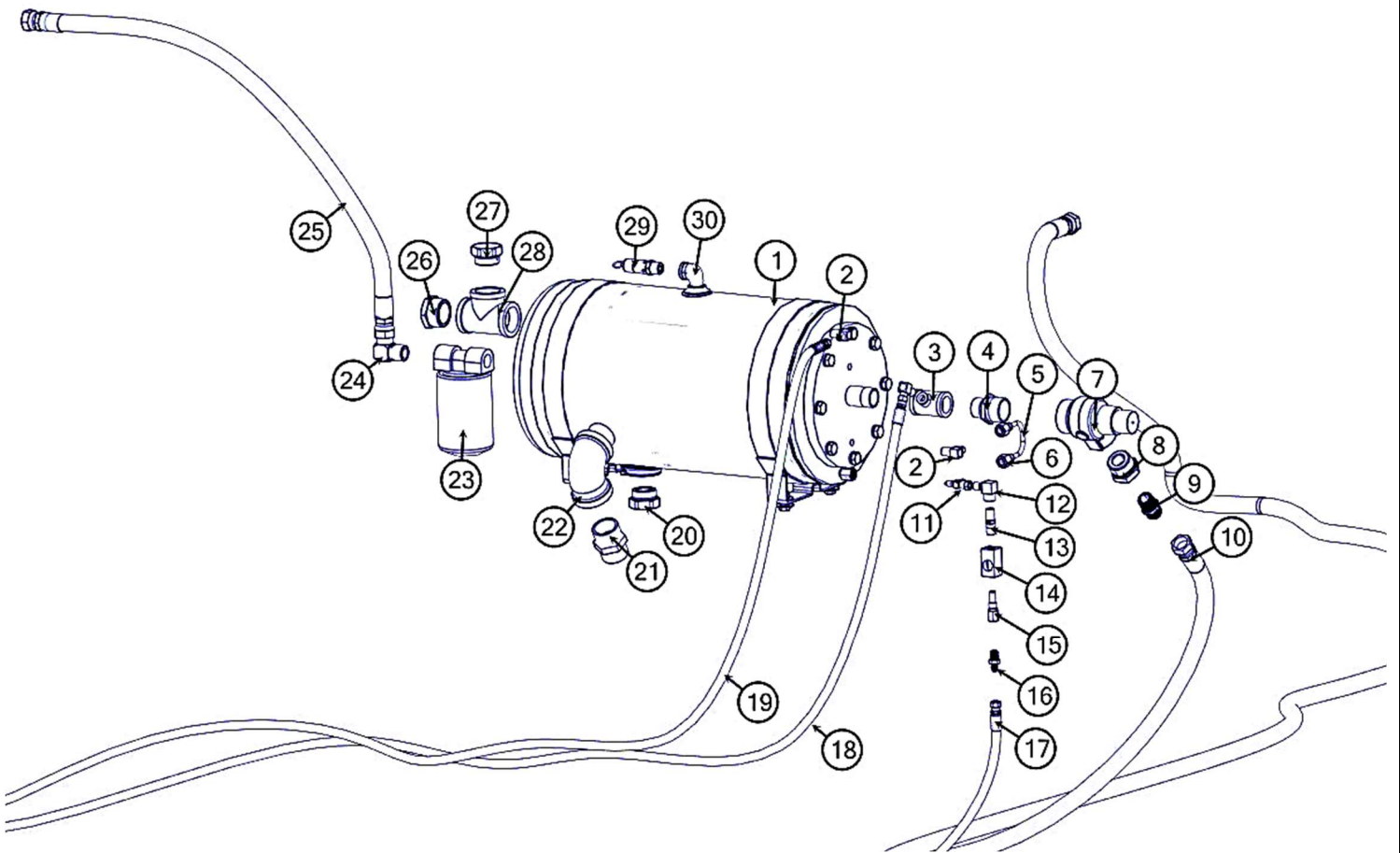
BOM ID	Qty	Description
1	1	8030879 REEL ONLY WATER HANNAY 3/8 X 75'
2	1	8041830 HOSE ASSY 3/8" X 50' 4000PSI
3	1	T400029 REDUCER, 8MP - 6MJ
4	2	U120000 NUT, LOCK NY .250-20 ZP G2
5	8	U200020 WASHER, FLAT .250 ZP
6	2	U000060 SCREW, HC .250-20 X 1.00 ZP G5
7	1	8046740 BALL VALVE BRACKET
8	1	8046703 HOSE ASSY VAC 6-12" ST-ST
9	1	T400037 UNION, 6MB - 6MJ
10	1	8030351 VALVE, BALL 3/8" 3K PSI
11	1	T401102 ELBOW, 90 6MP - 6MJ
12	2	U010017 U-BOLT, .250-20
13	1	8091355 QUICK DISCONNECT 3/8" FEMALE
14	4	U000440 SCREW, HC .375-16 X 1.25 ZP G5
15	8	U200060 WASHER, FLAT .375 ZP
16	4	U110060 NUT, ST .375-16 ZP G2
17	1	T400320 UNION, 8MJ - 8MJ
18	1	8043213 HOSE, JETTER 1/2" X 485"LG 3K PSI
19	1	8040546 JETTER NOZZLE 1/2"NPT SET FOR 12 GPM 3K PSI
20	2	8040899 CLIP, TOOL HOLDER
21	1	8032013 NIPPLE, STAINLESS 1/2" MP X 8"LG
22	1	T400505 UNION, 8MJ - 8FP
23	1	8043212 HOSE, JETTER 1/2" X 15' 3K PSI
24	1	8030840 HOLSTER, FOR FENNER UNIT
25	1	8030859 HANDSET, HYD. POWER UNIT
26	1	8047371 REEL ONLY JETTER 1/2" X 500'
27	1	T400040 UNION, 8MP - 8MJ
28	1	8031197 VALVE, BALL 1/2" 3K PSI
29	1	T404020 UNION, 8MP - 8MP



BOM ID	Qty	Name
1	1	8096015 ASSEMBLY, OIL RECEIVER VX75
2	1	8096016 ASSEMBLY, OIL COOLER VX75
3	1	8096618 WELDMENT, STAND OIL RECEIVER
4	1	8096031 ASSEMBLY, AIR REEL W/ 3/4"ID X 50' LG HOSE
5	1	8096627 WELDMENT, MOUNT AW REEL
6	1	8096685 HOSE ASSY VAC 12 - 206" ST-ST
7	6	U160018 NUT, LOCK .500-13 NY ZP
8	12	U200110 WASHER, FLAT .500 ZP SAE HARD
9	6	U000840 SCREW, HC .500-13 X 1.50 ZP G5

OPTIONS

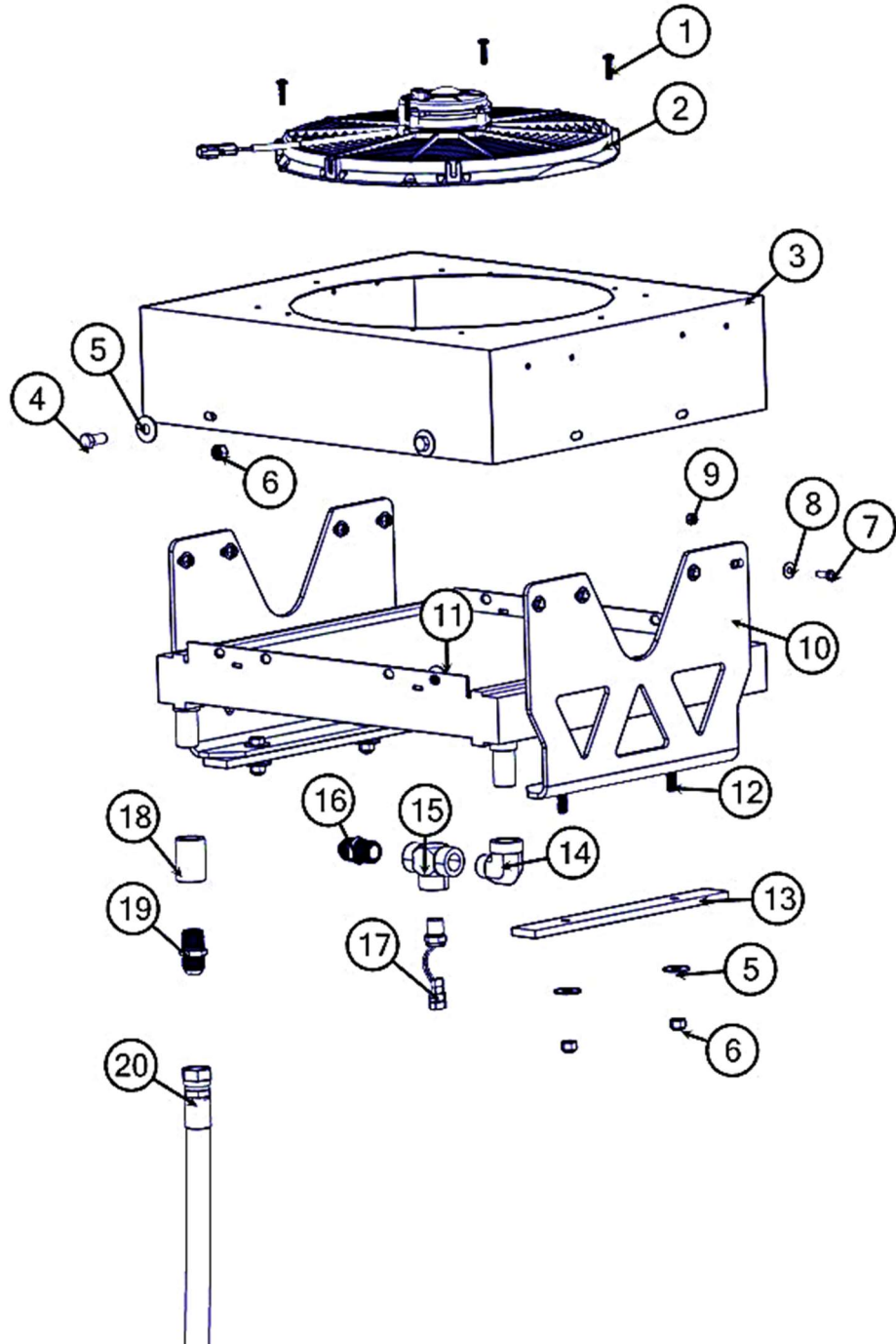
AIR/WATER
TANK ASSEMBLY



OPTIONS

**AIR/WATER
TANK ASSEMBLY**

BOM ID	Qty	Name
1	1	8044347-1 TANK (ONLY)
2	3	T401100 ELBOW, 90 4MP - 4MJ
3	1	T402221 TEE, 1 1/4"FP - 8FP - 1 1/4"FP
4	1	T421213 NIPPLE, STD 1 1/4"MP X 2 1/2"
5	1	8044347-4 TUBE, SEPARATOR DRAIN W/FITTING
6	2	8044347-7 ORFICE, HEX .047 DIA
7	1	8044347-3 VALVE, PRESSURE MINIMUM AIR
8	1	T403100 REDUCER 20MP-12FP
9	1	T400100 UNION, 12MP - 12MJ
10	1	8096685 HOSE ASSY VAC 12-206" ST-ST
11	1	T402010 TEE, 4FJ - 4MJ - 4MJ
12	1	T401060 ELBOW, 90 4MP - 4FP
13	1	8046948 VALVE, CHECK 1/4 MNPT
14	1	8046947 GLASS, SIGHT 1/4" FPT
15	1	8046949 ORFICE, FILTER
16	1	T400020 UNION 4MP_4MJ
17	1	8096687 HOSE ASSY VAC 12-88" ST-ST
18	1	8096061 HOSE ASSY VAC 4-98" ST-ST
19	1	8096061 HOSE ASSY VAC 4-98" ST-ST
20	1	8044347-10 FILTER, ELEMENT AIR/OIL SEPARATOR
21	1	T400580 UNION 24MP - 24MJ
22	1	T420335 ELBOW, 90 1 1/2"FP PIPE 150 PSI
23	1	8043020 FILTER, OIL COMPRESSOR SPIN-ON
24	1	T401040 ELBOW, 90 12MP - 12MP
25	1	8096686 HOSE ASSY VAC 12-37" ST-ST
26	1	8044347-8 GLASS, SIGHT OIL LEVEL 1 1/2"
27	1	8044347-10 FILTER ELEMENT AIR/OIL SEPARATOR
28	1	T402224 TEE, 1"MF - 1"MF - 1"MF
29	1	8044347-6 VALVE, RELIEF 175 PSI 1/2 NPT
30	1	8044347-5 ELBOW, PIPE STREET GALV 1/2



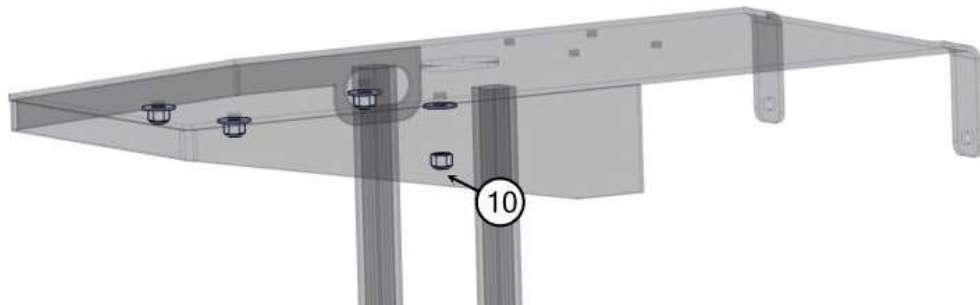
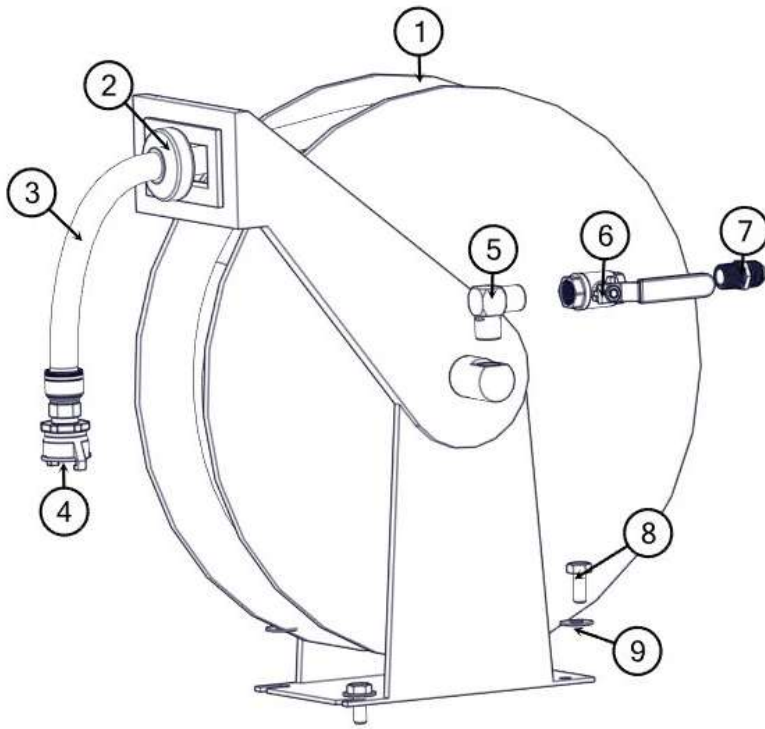
OPTIONS

**AIR/WATER
FAN ASSEMBLY**

BOM ID	Qty	Name
1	4	U030851 SCREW, PAN HD PHIL 1/4-20 X 1.00
2	1	8048449 FAN, COMPRESSOR COOLER (PULLER
3	1	8048448 SHROUD COOLER A/W (PULLER FAN)
4	4	U000740 SCREW, HC .438-14 X 1.00 ZP G5
5	16	U200063 WASHER, FLAT .438 ZP
6	8	U120132 NUT, LOCK .438-14 NY
7	8	U000040 SCREW,HC .250-20X.750 ZP G5
8	16	U200020 WASHER, FLAT .250 ZP
9	8	U100020 NUT, HEX .250-20 ZP G2
10	2	8048499 BRACKET, AW COOLER (PULLER FAN)
11	1	8042496 COOLER COMPRESSOR OIL
12	4	U000780 SCREW, HC .438-14 X 1.50 ZP G5
13	2	8094295 RUBBER, CUSHION AIR COMP COOLER
14	1	T401080 ELBOW, 90 3/4 MP - 3/4 FP
15	1	T402160 TEE 12FP_12FP_12FP
16	1	T400100 UNION, 12MP - 12MJ
17	1	8043659 SWITCH, TEMP OIL COMP 185F
18	1	T430040 COUPLING, FEMALE 3/4 FNPT
19	1	T400100 UNION, 12MP - 12MJ
20	1	8042860 HOSE ASSY VAC 12-95" ST-ST

OPTIONS

AIR/WATER
REEL ASSEMBLY



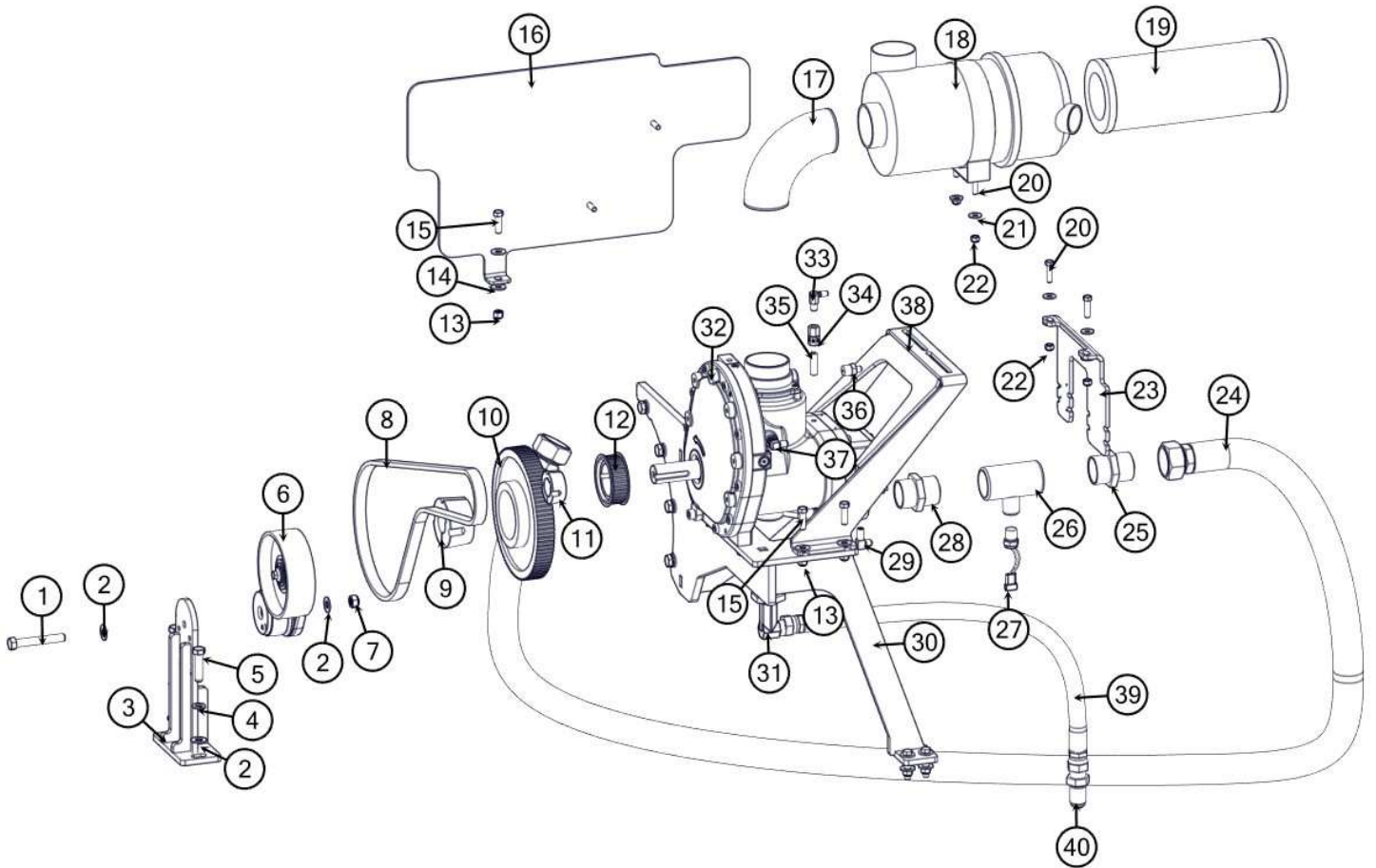
OPTIONS

**AIR/WATER
REEL ASSEMBLY**

BOM ID	Qty	Name
1	1	8046439 REEL F/ HOSE SPRGDRVN 3/4 X 50' 250 PSI
2	1	8046439-1 STOP, BALL 3/4" AIR HOSE
3	1	8043083 HOSE ASSY AIR 3/4 X 50' MP-MP
4	1	8043085 FITTING, 3/4" CHICAGO XFPT
5	1	T401040 ELBOW, 90 3/4 MP - 3/4 MP
6	1	T000185 VALVE, BALL 3/4" FNPT
7	1	T400100 UNION, 12MP - 12MJ
8	4	U000821 SCREW, HC .500-13 X 1.25 ZP G8
9	8	U200112 WASHER, FLAT .500 X 1.375 OD ZP HARD
10	4	U160018 NUT, LOCK .500-13 NY ZP

OPTIONS

AIR/WATER COMPRESSOR ASSEMBLY



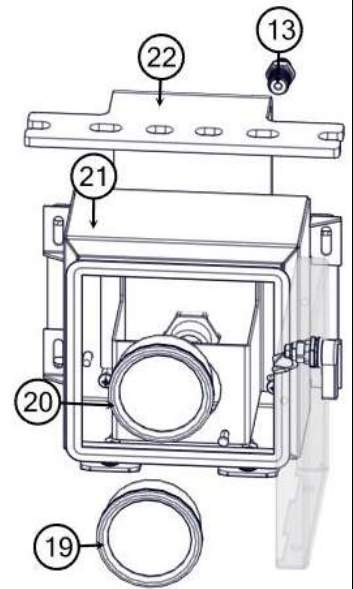
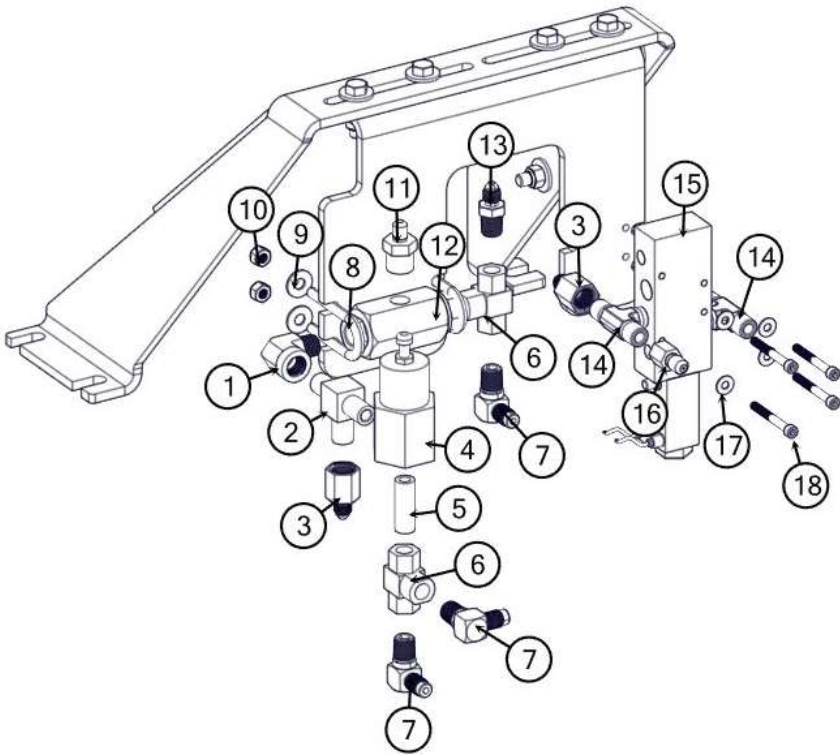
OPTIONS

AIR/WATER COMPRESSOR ASSEMBLY

BOM ID	Qty	Name
1	1	U001655 SCREW, HC 12MM X 1.75 X 90MM G8.8
2	4	U200110 WASHER, FLAT .500 ZP SAE HARD
3	1	8096557 WELDMENT, COMPRESSOR BELT TENSIONER BRACKET
4	2	U210100 WASHER, LOCK .500 ZP
5	2	U000880 SCREW, HC .500-13 X 2.00 ZP G5
6	1	8096205 PULLEY, AUTO TENSIONER FLAT FACED
7	1	U210077 NUT, LOCK NY M12-1.75 C8.0 ZINC
8	1	8096223 BELT, VX75 COMPRESSOR
9	1	8042659 BUSHING, TL 2517 1 7/16" BORE
10	1	8045306 SHEAVE, 8MX TL 9.00 OD
11	1	8044294 BUSHING, TL 1610 32MM BORE
12	1	8044291 SHEAVE, 8MX TL 3.31 OD
13	6	U110060 NUT, ST .375-16 ZP G2
14	14	U200060 WASHER, FLAT .375 ZP
15	7	U000440 SCREW, HC .375-16 X 1.25 ZP G5
16	1	8095327 PLATE, HEAT SHIELD COMPRESSOR
17	1	8043047 ELBOW, RUBBER COMPRESSOR INTAKE
18	1	8043049 COMPRESSOR AIR FILTER HOUSING
19	1	8042977 FILTER, AIR VANAIR COMPRESSOR
20	6	U000220 SCREW, HC .312-18 X 1.25 ZP G5
21	12	U200040 WASHER, FLAT .312 ZP
22	6	U110040 NUT, HEX .312-18 NY ZP G2
23	1	8096660 BRACKET, COMPRESSOR REGULATOR
24	1	8096678 HOSE ASSY AIR 1 1/2" X 105" ST-ST
25	1	T400580 UNION, 24MP - 24MJ
26	1	T402219 TEE, 1 1/2"FP X 1 1/2"FP X 1/2"FP
27	1	8043659 SWITCH TEMP OIL COMP 185F
28	1	T400580 UNION, 24MP - 24MJ
29	1	8044263 ELBOW, 90 1/8MP 1/4MJ CHECK AND ORIFICE
30	1	8095322 WELDMENT, COMPRESSOR MOUNTING BRACKET
31	1	T401341 ELBOW, 90 3/4MB-3/4MJ
32	1	8044743 COMPRESSOR (POWERTECH MODEL)
33	1	T401095 ELBOW, 90 1/8MP-1/4MJ
34	1	8044264 VALVE CHECK IN-LINE 1/8"NPT BRASS
35	1	T421008 NIPPLE, CLOSE 1/8"
36	1	T400025 REDUCER 6MP - 4MJ
37	1	T401230 ELBOW, 90 4MB-4MJ
38	1	8094274 WELDMENT, AW WING
39	1	8096681 HOSE ASSY VAC 12-28" ST-ST
40	1	T400386 BULKHEAD, 3/4"MJ- 3/4"MJ

OPTIONS

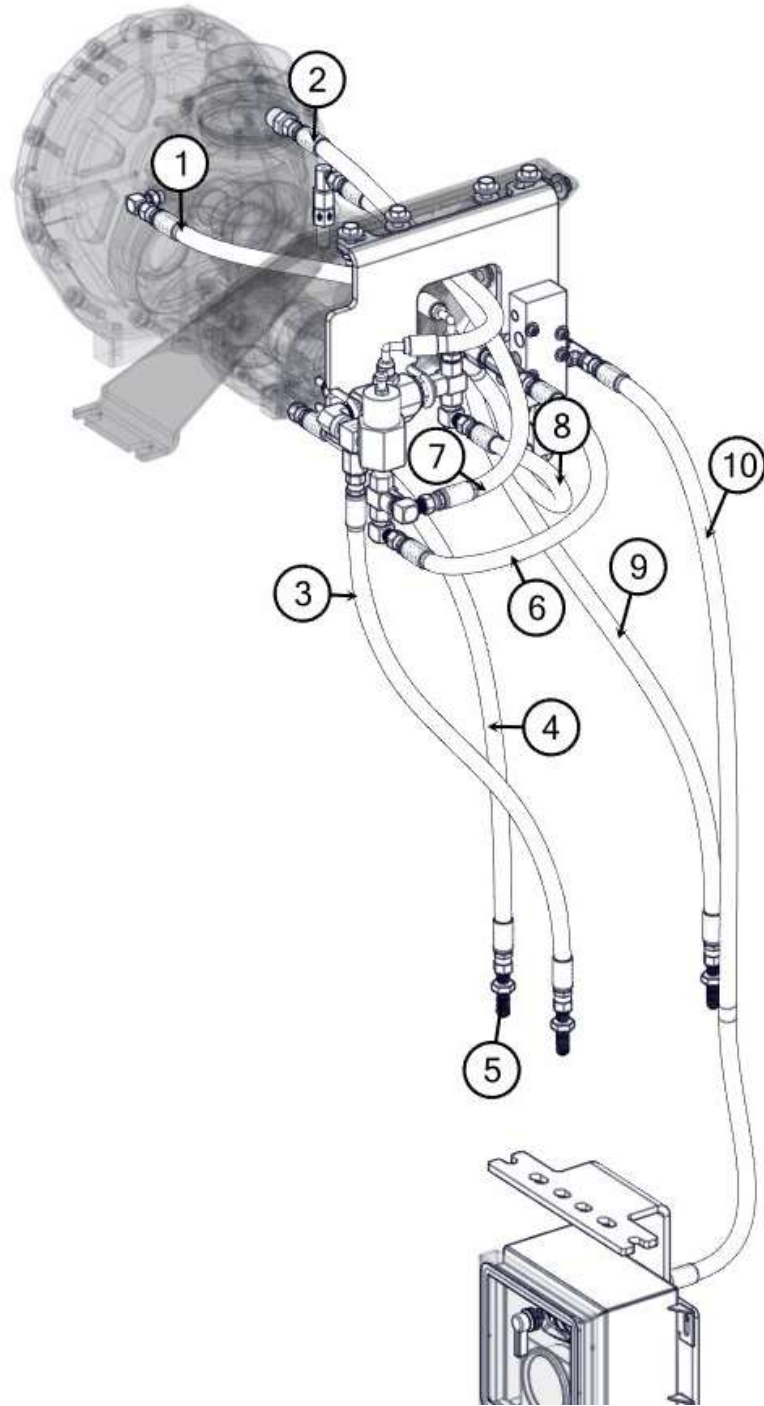
AIR/WATER COMPRESSOR ASSEMBLY



OPTIONS

**AIR/WATER
COMPRESSOR ASSEMBLY**

BOM ID	Qty	Name
1	1	T401060 ELBOW, 90 4MP-4FP
2	1	T402034 TEE, 4MP-4MP-4MP
3	2	T400110 UNION 4FP-4MJ
4	1	8044569 VALVE REGULATOR COMPRESSOR
5	2	T421010 NIPPLE, 1/4"MP
6	2	8044667 VALVE SHUTTLE 1/4FP - 1/4FP - 1/4FP
7	3	T401100 ELBOW 90 4MP-4MJ
8	2	U010027 U-BOLT .250-20 - 3/8" PIPE
9	4	U200020 WASHER, FLAT .250 ZP
10	4	U120000 NUT, LOCK NY .250-20 ZP G2
11	1	T400025 REDUCER 6MP - 4MJ
12	1	8044570 VALVE, BLOWDOWN COMPRESSOR
13	2	T400020 UNION 4MP-4MJ
14	2	T402038 TEE, 4MJ - 4MJ - 4MP
15	1	8046883 VALVE, SOLENOID AIR 3-WAY PARKER
16	1	8044544 ORIFICE 4MJ - 4FJ .062"
17	8	U200000 WASHER, FLAT #10 ZP
18	4	U010023 SCREW, HSH #10-24 X 1.75
19	1	8045132 GAUGE, TEMP OIL COMPRESSOR
20	1	8045133 GAUGE, PRESSURE AIR COMPRESSOR
21	1	8049096 ASSEMBLY, GAUGE BOX
22	1	8049097 BRACKET, GAUGE AW



OPTIONS**AIR/WATER
COMPRESSOR ASSEMBLY**

BOM ID	Qty	Name
1	1	8095123 HOSE ASSY VAC 4-14" ST-90
2	1	8043759 HOSE ASSY VAC 4-15" ST-90
3	1	8044268 HOSE ASSY VAC 4-22" ST-ST
4	1	8043841 HOSE ASSY VAC 4-25" ST-ST
5	3	T400385 BULKHEAD, 4MJ - 4MJ
6	1	8096683 HOSE ASSY VAC 4-16"ST-ST
7	1	8096682 HOSE ASSY VAC 4-19" ST-ST
8	1	8096684 HOSE ASSY VAC 4-16" ST-90
9	1	8093410 HOSE ASSY VAC 4-30" ST-ST
10	1	8046814 HOSE ASSY VAC 4-43" ST-ST

PAGE LEFT BLANK

WARRANTY RETURN GOODS POLICY

LIMITED WARRANTY

The Manufacturer warrants its products to be free from defects in material and workmanship for a period of twelve months from the date of shipment from the factory. The Manufacturer shall not be responsible for any damage resulting to or caused by its products by reason of installation, improper storage, unauthorized service, alteration of the products, neglect or abuse, or use of the product in a manner inconsistent with its design. The warranty does not extend to any component parts not manufactured by Manufacturer; however, Manufacturer's warranty herein shall not limit any warranties made by manufacturers of component parts which extend to Buyer.

Claims for defects in material and workmanship shall be made in writing to Manufacturer within ten days of discovery of defect. Manufacturer may either send a service representative or have the product returned to its factory at Buyer's expense for inspection. Upon notification of defect, Manufacturer will issue a return goods authorization number to Buyer. The return goods authorization number must accompany the product returned. If judged by the Manufacturer to be defective in material or workmanship, the product will be replaced or repaired at the option of the Manufacturer, free from all charges except authorized transportation. Buyer shall be responsible for all maintenance services consisting of lubrication and cleaning of equipment, replacing expandable parts, making minor adjustments, and performing operating checks, all in accordance with procedures outlined in Manufacturer's maintenance literature.

THE FOREGOING WARRANTY IS IN LIEU OF ALL OTHER WARRANTIES AND NO REPRESENTATIONS, GUARANTEES, OR WARRANTIES, EXPRESS OR IMPLIED, (INCLUDING BUT NOT LIMITED TO A WARRANTY OF MERCHANTABILITY OR FITNESS FOR A PARTICULAR PURPOSE), ARE MADE BY THE MANUFACTURER IN CONNECTION WITH THE MANUFACTURE OR SALE OF ITS PRODUCTS. NO EMPLOYEE, DISTRIBUTOR, OR REPRESENTATIVE IS AUTHORIZED TO CHANGE THIS WARRANTY ON BEHALF OF MANUFACTURER.

THE REMEDIES OF BUYER SET FORTH HEREIN ARE EXCLUSIVE AND ARE IN LIEU OF ALL OTHER REMEDIES. THE LIABILITY OF MANUFACTURER WHETHER IN CONTRACT, TORT, UNDER ANY WARRANTY, OR

OTHERWISE SHALL NOT EXTEND BEYOND ITS OBLIGATION TO REPAIR OR REPLACE, AT ITS OPTION ANY PRODUCT OR PART FOUND BY MANUFACTURER TO BE DEFECTIVE IN MATERIAL OR WORKMANSHIP. MANUFACTURER SHALL NOT BE LIABLE FOR COST OF INSTALLATION AND/OR REMOVAL OR BE RESPONSIBLE FOR DIRECT, INDIRECT, SPECIAL OR CONSEQUENTIAL DAMAGES OF ANY NATURE.

GENERAL RETURNS OF MERCHANDISE

1. All returns must be pre-authorized
 - A. Please call our parts department for an RGA number
 - B. Please include RGA number on the outside of box
 - C. Include any required paper work or special instructions
 - D. Items returned without an RGA number will not be accepted
2. All returns are subject to a 20% restock charge.
3. Special items are non-returnable
 - A. Non-stock parts
 - B. Custom parts
 - C. If you are unsure about a parts status when ordering, ask your McLaughlin representative if the item fits on of the above conditions.
4. Items must be returned within thirty days of original order date.
5. Items not returned within 30 days from the date of RGA is issued will not be accepted.
6. The item(s) must be in new condition. Used item(s) are not returnable.

Notes

Lined area for taking notes.

FOR SCHEMATICS SEE: www.mclaughlinunderground

**CALIFORNIA
Proposition 65 Warning**

Diesel engine exhaust and some of its constituents are known to the State of California to cause cancer, birth defects, and other reproductive harm.

**CALIFORNIA
Proposition 65 Warning**

Battery posts, terminals, and related accessories contain lead and lead compounds, chemicals known to the State of California to cause cancer and reproductive harm. Wash hands after handling.