



*Providing Solutions Since 1921*

2006 Perimeter Road. Greenville, SC 29605

Toll Free: 800/435-9340 – Phone: 864/277-5870

Fax: 864/235-9661 – Website address: [www.mclaughlinunderground](http://www.mclaughlinunderground)

Email address: [mmole@mightymole.com](mailto:mmole@mightymole.com)

## PARTS MANUAL

---

VX75-1200

E850522

**SERIAL NUMBER – 7HWA240U6JG000122 TO PRESENT**

6/8/2018

**2018 by McLaughlin Group, Inc.**

All rights reserved. No part of this manual may be reproduced in any form, or by any means without prior written permission of McLaughlin Group, Inc.



# Table of Contents

DECAL LAYOUT .....	5
TRAILER .....	13
SKID ASSEMBLY .....	15
SPOIL TANK ASSEMBLY.....	17
HYDRAULIC ARM ASSEMBLY.....	19
FILTRATION ASSEMBLY .....	21
HYDRAULIC PUMP ASSEMBLY .....	23
HYDRAULIC PUMP HOSE ASSEMBLY .....	25
ENCLOSURE ASSEMBLY.....	27
ENCLOSURE FOAM ASSEMBLY .....	29
CONTROL PANEL ASSEMBLY .....	31
ELECTRICAL ASSEMBLY.....	33
ENGINE ASSEMBLY.....	35
BLOWER ASSEMBLY .....	37
WATER PUMP ASSEMBLY.....	43
WATER TANK 205GAL ASSEMBLY.....	47
VAC TOOLS.....	50
SUCTION TOOL ASSEMBLY.....	51
ROTARY LANCE ASSEMBLY.....	53
WASH WAND ASSEMBLY.....	55
ARROWBOARD ASSEMBLY.....	57
STRONGARM ASSEMBLY .....	59
JETTER ASSEMBLY .....	61
WARRANTY .....	69

**PAGE LEFT BLANK**



**⚠ DANGER**

**ELECTROCUTION HAZARD**  
 Death or serious injury will result if boom approaches or touches overhead electrical power lines.  
 Keep boom away from overhead utilities.  
 Use caution when operating boom.

J200403

**J200403**

**INSTRUCTIONS**

**GREASE POINTS**

Qty	Placement	Qty	Placement
2	TANK PIVOT	2-4	TANK LIFT CYLINDERS (Depend on Model)
2	4-WAY VALVE	1	EACH AXLE HUB (Non Oil Bath Hubs)
2	MANUAL JACK	1	VACUUM/PRESSURE SELECTOR PLATE
2	ENGINE TAIL SHAFT	1	BOOM PACKING GLAND
1	SWIVEL on HOSE REEL	1	BOOM ROTATING BEARING
2	BOOM RAISE/LOWER CYLINDER	2	BOOM SLEW DRIVE (HYD. ROTATION)
2	BOOM EXTEND/RETRACT CYLINDER	1	STRONG ARM PIVOT
1	BOOM GATE VALVE CYLINDER		

J200810

**J200810**

**⚠ WARNING**

**ENTANGLEMENT HAZARD**  
 Rotating pulleys and belts could cause serious injury.  
 Do not operate without guards in place.

J200445

**J200445**

**⚠ WARNING**

**Moving parts.**  
 Death or serious injury may result.  
 Stop engine before servicing.

J200425

**J200425**

**INSTRUCTIONS**

**WATER SYSTEM FREEZE PROTECTION**

1. Drain water tanks and close water supply valve.
2. Start machine and open hose reel ball valve.
3. Turn the water pump ON. Open the ball valve on the antifreeze tank.
4. Hold the antifreeze switch in the UP position.
5. When antifreeze is visible from the hose reel port, release the antifreeze switch.
6. Close the hose reel ball valve.
7. Hold the antifreeze switch in the UP position until antifreeze is visible in the water tank.
8. Turn the engine OFF. Open the water supply valve and leave the antifreeze tank ball valve open.
9. Before the next startup, close the antifreeze tank ball valve.

J200483

**J200483**

**INSTRUCTIONS**

**START PROCEDURE**

1. Fill water tank
2. Open ball valve - prime water pump
3. Open gate valve on inlet port
4. Pre-heat engine - (cold start) 15 seconds

J200484

**J200484**



**WARNING**

Electricity, or Gas  
Explosion Can Kill

Locate Utilities  
Call 811

No. J000210

**J200210**

**WARNING**

Read manual.  
Death or serious injury may result.  
Read and understand  
all safety and operating instructions  
**BEFORE** operating any equipment.

J200420

**J200420**

**WARNING**

**Flammable fumes.**  
Fumes may explode or catch fire.  
Keep away from sparks and open flame.

**Battery acid.**  
Battery acid can burn skin and eyes.  
Protect face, hands and body when servicing.

**8049882**



**CHECK AND CLEAN DAILY**

**J200023**



<b>⚠ WARNING</b>	
	<p><b>HIGH PRESSURE WATER</b> Pressure wand can cause serious injury. Keep hands and feet away. Wear protective clothing.</p>
Reorder No. J200450	

**J200450**

<b>⚠ WARNING</b>	
	<p><b>Pinch point.</b> Serious injury may result. Keep hands clear when closing door or lowering tank.</p>
J200455	

**J200455**

<b>⚠ DANGER</b>	
<p><b>ELECTROCUTION HAZARD</b> Death or serious injury will result if boom approaches or touches overhead electrical power lines. Keep boom away from overhead utilities. Use caution when operating boom.</p>	
J200403	

**J200403**

<b>⚠ WARNING</b>	
	<p><b>CRUSHING WEIGHT</b> DEATH OR SERIOUS INJURY COULD RESULT EMPTY TANK BEFORE SERVICING ALWAYS INSTALL SAFETY BAR WHEN WORKING ON RAISED TANK</p>
J200458	

**J200458**



<b>⚠ WARNING</b>	
<p><b>Flammable liquid.</b> Fuel and fumes can explode or catch fire. Turn off engine BEFORE fueling. Wipe up spilled fuel immediately.</p>	

**J200440**

**DECAL LAYOUT**

**⚠ DANGER**



**EXPLOSION HAZARD!  
CONTENTS UNDER  
PRESSURE!**  
Relieve tank pressure  
before opening.  
Failure to comply will  
result in death or  
serious injury.

J200423 rev.1

J200423



**⚠ DANGER**



**SUFFOCATION HAZARD.**  
Vacuum hoses will cause  
death or serious injury.  
Keep hoses and tools  
away from face and body.

J200415

**⚠ DANGER**



**Crushing weight.**  
Spoil and door will cause  
death or serious injury.  
Unlock door only  
under vacuum.  
Stay away from door  
when dumping.

J200410

**⚠ WARNING**



**FIRE OR EXPLOSION  
POSSIBLE.**  
Do not vacuum  
flammable or  
combustible  
substances.

J200413

J200415



**DECAL LAYOUT**



**CHECK AND CLEAN  
WHEN DUMPING**  
J200022

J200022

	<b>⚠ WARNING</b>
	<p>Pinch point. Serious injury may result. Keep hands clear when closing door or lowering tank.</p> <p style="text-align: right;"><small>J200455</small></p>

J200455

	<b>⚠ WARNING</b>
	<p>CRUSHING WEIGHT DEATH OR SERIOUS INJURY COULD RESULT EMPTY TANK BEFORE SERVICING ALWAYS INSTALL SAFETY BAR WHEN WORKING ON RAISED TANK <small>J200458</small></p>

J200458



<b>⚠ WARNING</b>
<p>ENTANGLEMENT HAZARD Rotating pulleys and belts could cause serious injury. Do not operate without guards in place. <small>J200445</small></p>

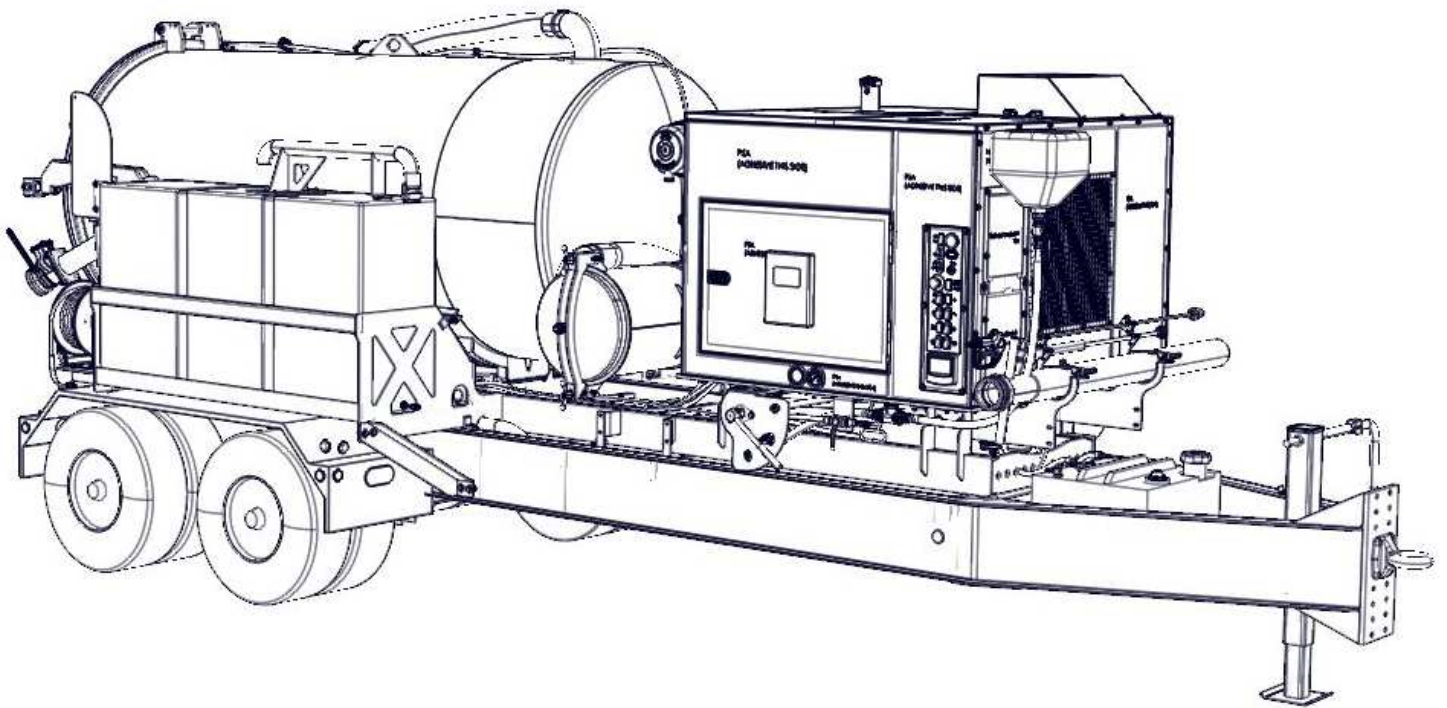
J200445

<b>⚠ WARNING</b>
<p>Moving parts. Death or serious injury may result. Stop engine before servicing. <small>J200425</small></p>

J200425

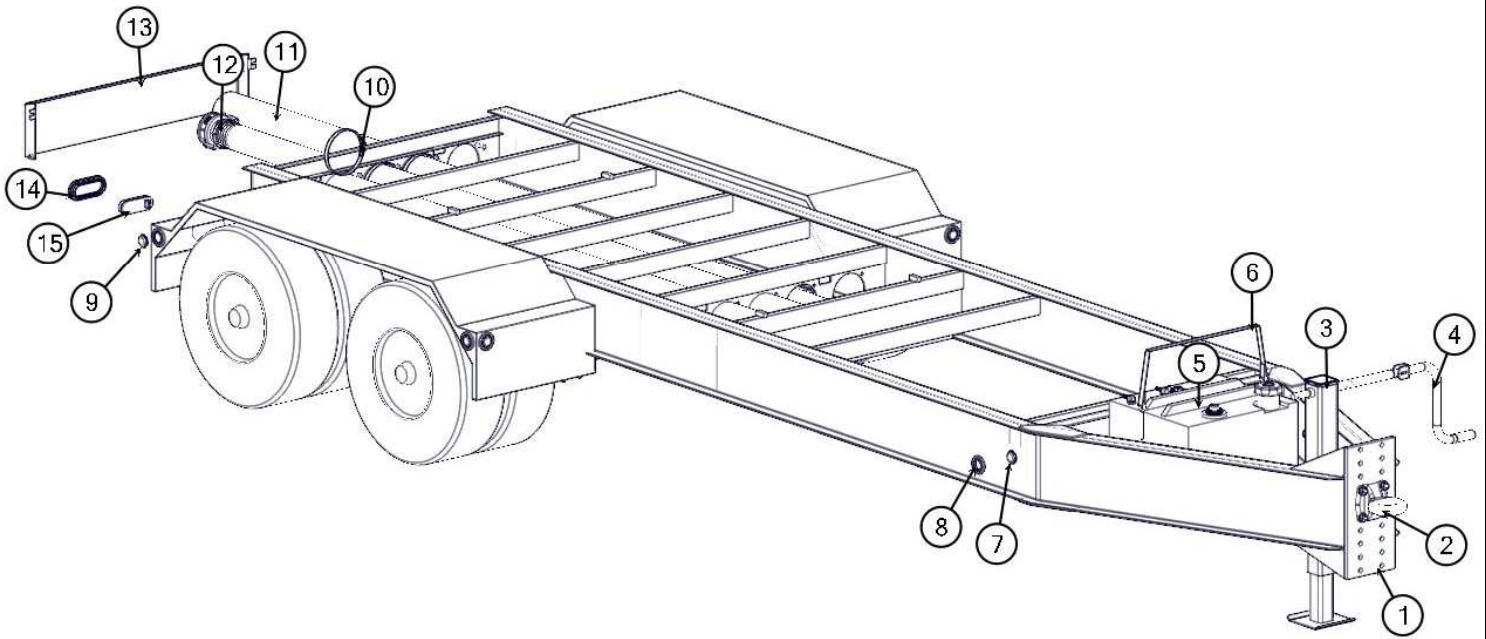
**PAGE LEFT BLANK**

# VX75-1200 COMPLETE



**PAGE LEFT BLANK**

# VX75-1200 TRAILER



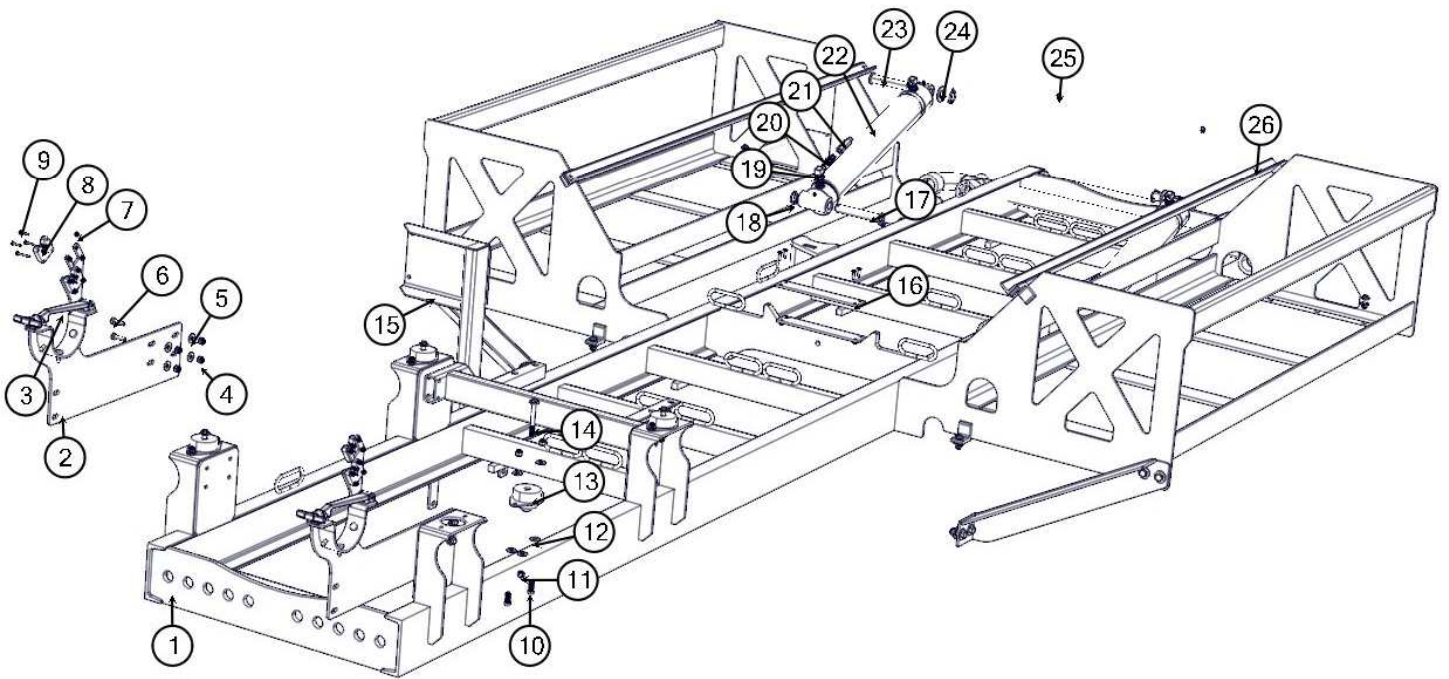
# VX75-1200 TRAILER

BOM ID	Qty	Description
1	1	8030871 TRAILER, I-BEAM 1224
2	1	8045366 PINTLE EYE (4 BOLT)
3	1	8043548 JACK, MANUAL
4	1	8043984 HANDLE, JACK MANUAL
5	1	8042380 TANK, FUEL PLASTIC 22 GAL DIESEL
6	1	8043359 STRAP, EYEBOLT 1" X 49.5" OAL
7	6	8044000 LIGHT, TRAILER 2" MARKER YELLOW
8	10	8044002 GROMMET, LIGHT 2in RUBBER
9	4	8043999 LIGHT, TRAILER 2" MARKER RED
10	3	8093153 CLAMP HOSE T-BOLT 750
11	3	8041102 HOSE STORAGE 6" X 10'
12	3	8041100 HOSE ASSY VAC 4" X 10' W/CAMS
13	1	8044809 TAILGATE COVER I-BEAM TRAILERS
14	2	8091471 GROMMET,LIGHT OVAL LED.smgXml
15	2	8091470 LIGHT, TRAILER OVAL LED_RED.smgXml

**\*NOT SHOWN**

8090452	2	AXLE
8045628	1	BRAKE ASSEMBLY (LH)
8045632	1	BRAKE ASSEMBLY (RH)
8030871-21	4	HUB W/RACES & STUDS
8046107	4	MAGNET KIT
8046109	2	ADJUSTER KIT (RH)
8046100-02	2	ADJUSTER KIT (LH)
8046108	2	SHOE KIT (RH)
8046100-03	2	SHOE KIT (LH)
8045620	4	TIRE, ST 235 X 80 R16E
8045152	4	WHEEL, R16 X 6

# SKID ASSEMBLY

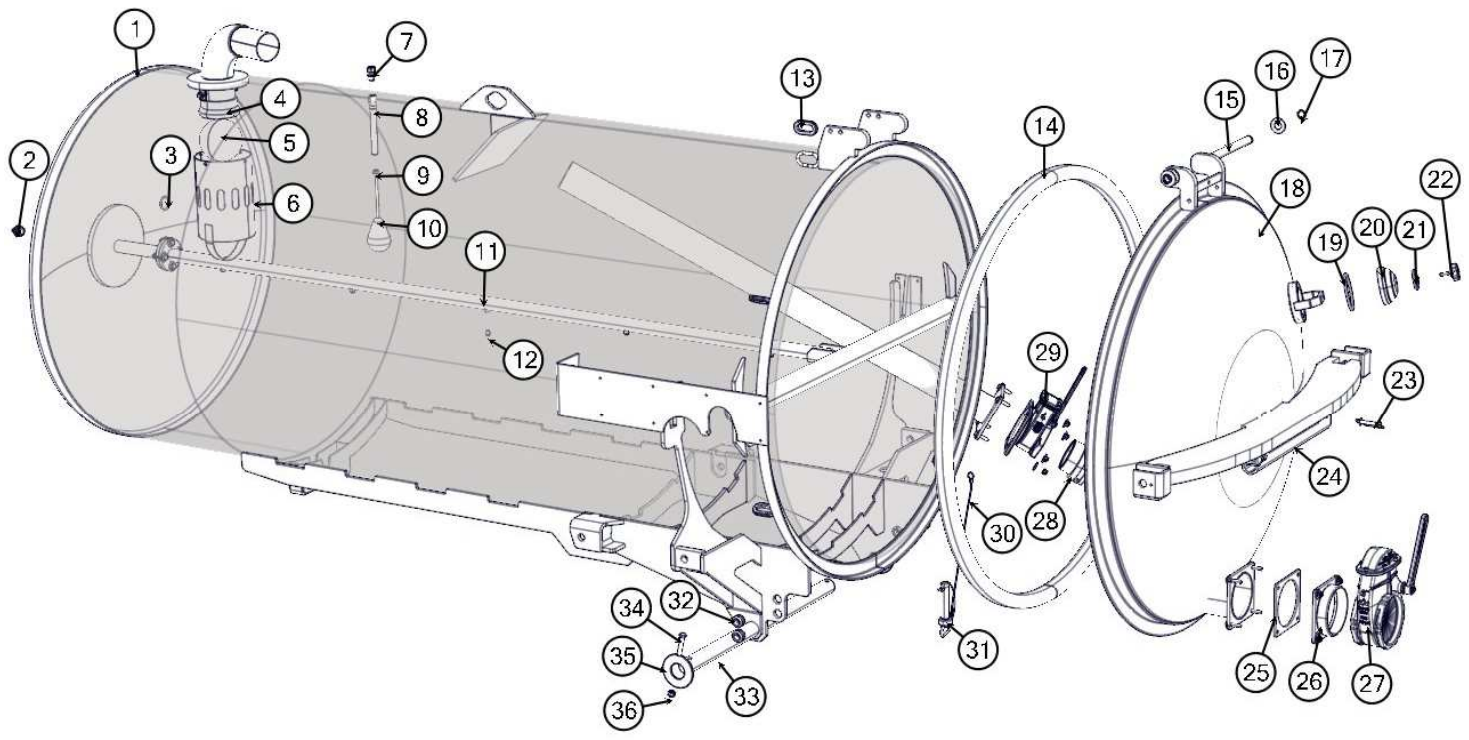


## SKID ASSEMBLY

BOM ID	Qty	Description
1	1	8047211 WELDMENT, SKID V1200HD 205 WATER TANK
2	2	8095924 WELDMENT, TOOL STORAGE BRACKET
3	2	8095189 LATCH, DRAW RUBBER
4	8	U110060 NUT, ST .375-16 ZP G2
5	16	U200060 WASHER, FLAT .375 ZP
6	8	U000440 SCREW, HC .375-16 X 1.25 ZP G5
7	14	U030800 NUT, LOCK #8-32 NY
8	4	8094246 GRIPPER, WAND/LANCE
9	14	U030794 SCREW, PAN HD PHIL #8-32 X 1.00
10	8	U000420 SCREW, HC .375-16 X 1.00 ZP G5
11	12	U120110 NUT, LOCK .375-16 NY ZP
12	24	U200060 WASHER, FLAT .375 ZP
13	4	8030904 ISOLATOR VAC PP
14	4	U000580 SCREW, HC .375-16 X 3.50 ZP G5
15	1	8048384 BRACKET, HYD. VERTICAL (4 GAL)
16	1	8045787 STRIP PLASTIC TANK FOOT
17	2	8094704 PIN, CYLINDER BOSS 6.375"
18	4	U340050 PIN LINCH 3/16 X 1 9/16 ZP
19	4	T401270 ELBOW, 90 8MB-6MJ
20	2	T400036 UNION, 6MB-6FJ
21	2	8048286 VALVE CHECK VELOCITY 6.0 GPM
22	2	8043642 CYLINDER, HYD 3.5" X 20"
23	2	8092495 WELDMENT, PIN 1"DIA X 5 1/2"
24	4	U200170 WASHER, FLAT 1.00
25	2	T500060 FITTING, GREASE .125 90 DEG
26	2	8044390 WATER TANK ANGLE HOLDER



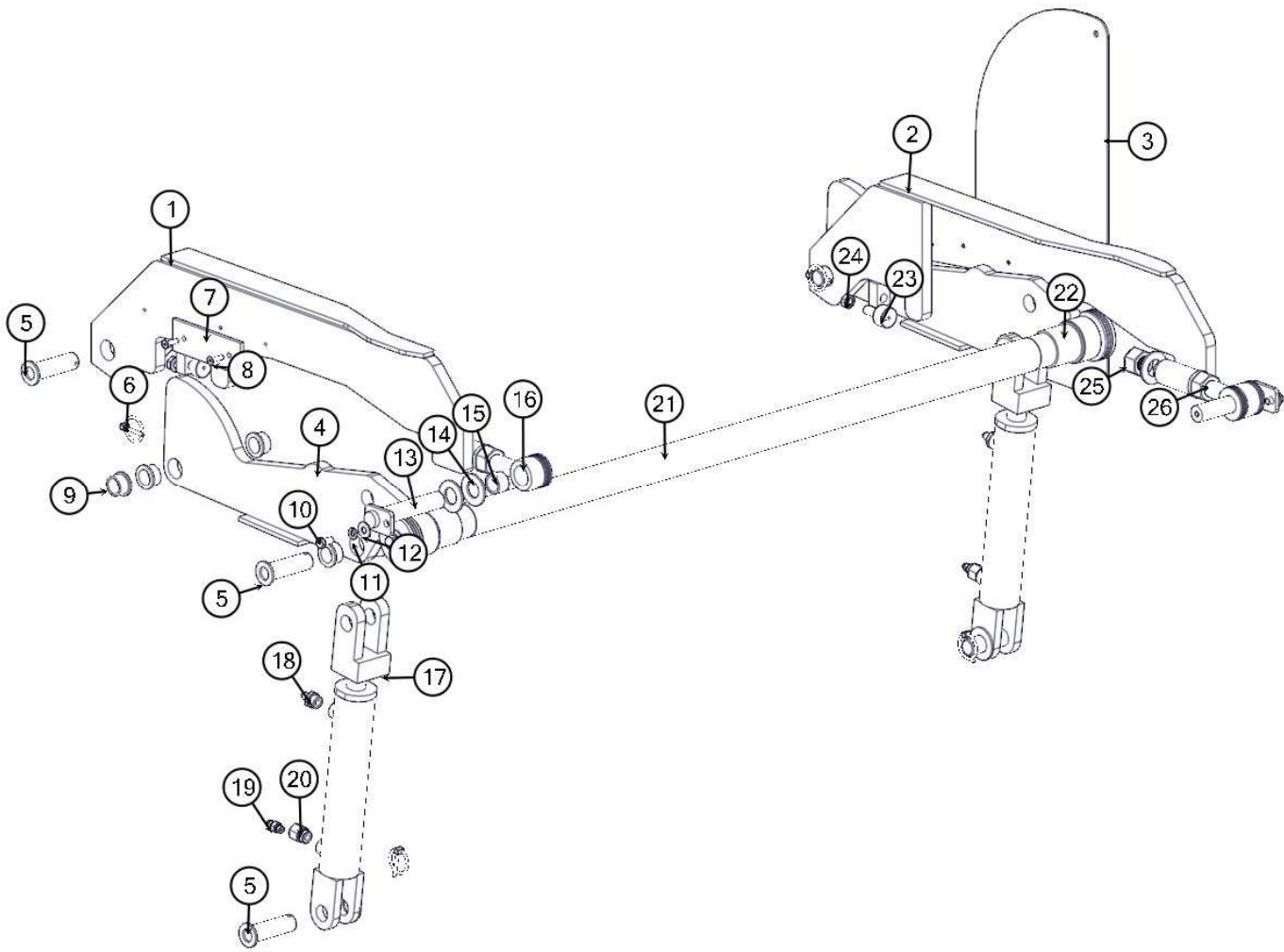
# SPOIL TANK ASSEMBLY



## SPOIL TANK ASSEMBLY

BOM ID	Qty	Description
1	1	8046860 TANK, SPOIL 1200
2	1	T400310 REDUCER, 1"MB - 3/8"MJ
3	1	8030446 O'RING
4	1	8043571 SEAT 4" RUBBER FOR FLOAT BALL
5	1	8043570 BALL, STAINLESS FLOAT 6"
6	1	8043700 BALL FLOAT SCREEN WELDMENT 4"
7	1	X000113 STRAIN RELIEF 1/2NPT .250-.375
8	1	8040769 TUBE, TANK FULL SWITCH 8"
9	1	8041291 BUSHING, RUBBER 7/8" HEAD X 21/32" BODY
10	1	8030531 SWITCH FLUID LEVEL
11	1	8043567 TANK ROD 1200
12	4	8030369 NOZZLE, TANK CLEANOUT .20" X 40DEG X 1/4MP
13	3	8042812 GROMMET, 2"ID X 3"OD X 1/4"WOG
14	1	8041767 SEAL, DOOR SQ 173"
15	1	8040058 DOOR HINGE ROD
16	6	U200170 WASHER, FLAT 1.00
17	2	U500020 SNAP RING EXT 1" SHAFT ZP
18	1	8041580 DOOR, 1200 HYD LOCKED
19	1	8032007 GASKET, 4" FLAT ALUM COUPLER
20	1	8031048 SIGHT GLASS, 5" GLASS ONLY
21	1	8031047 PLATE, SIGHT GLASS
22	1	8031046 SCREW, HANDWHEEL SIGHT GLASS
23	2	8041213 SAFETY SNAP PIN
24	1	8091336 BRACE, TANK SAFETY
25	1	8046191 GASKET, DOOR INLET/OUTLET
26	1	8046199 GATE VALVE TANK FLANGE 6"
27	1	8030849 VALVE, 6" GATE BRASS LEVER TYPE
28	1	8046445 CAMLOCK, 4" AL FCAM X MNPT
29	1	8046215 VALVE, 4" GATE BRASS LEVER FLANGED
30	1	8093841 LANYARD, DOUBLE-DOUBLE 30"LG
31	1	8041626 COTTER PIN AND TETHER
32	4	8041686 GROMMET, 1"ID X 1 1/2"OD X 1/2"WOG
33	1	8047752 ROD, TANK PIVOT
34	2	U000920 SCREW, HC .500-13 X 2.75 ZP G5
35	2	U200180 WASHER, FLAT 2.125 ID X 4.5 OD
36	2	U160018 NUT, LOCK .500-13 NY ZP

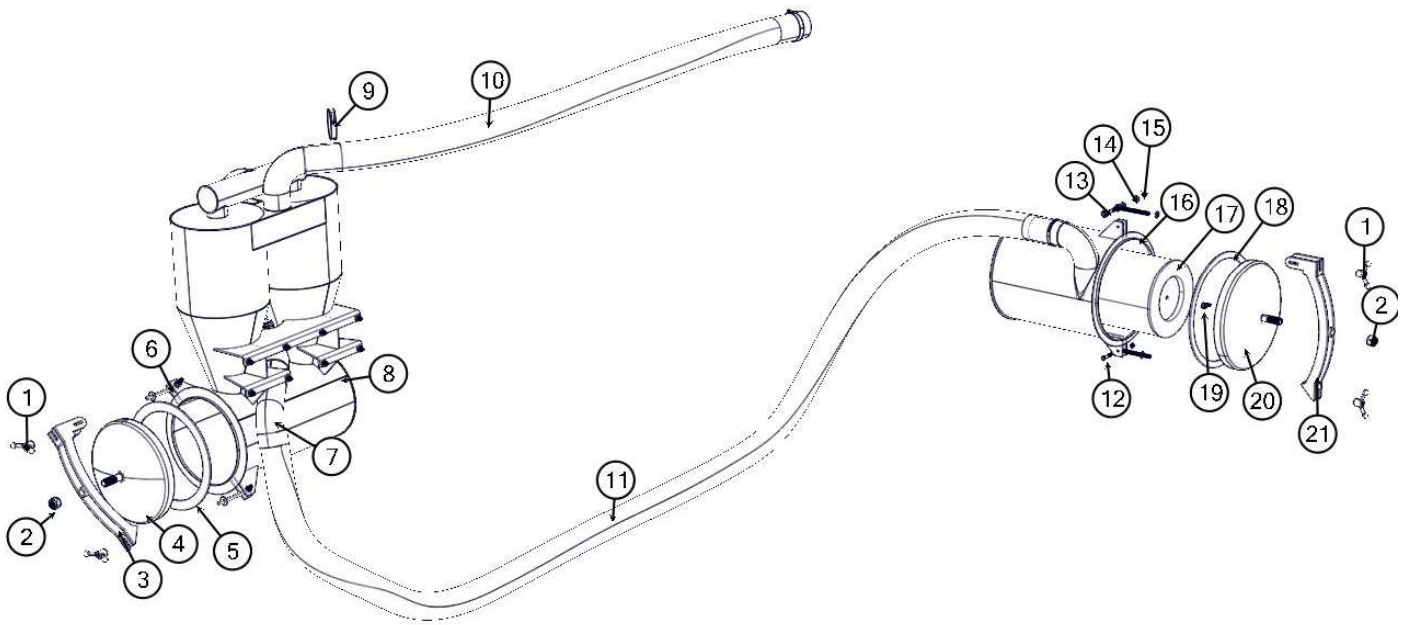
# HYD ARMS ASSEMBLY



## HYD ARMS ASSEMBLY

BOM ID	Qty	Description
1	1	8049765 WELDMENT, LINKAGE ARM LONG ROAD SIDE
2	1	8049763 WELDMENT, LINKAGE ARM LONG CURB SIDE
3	1	8041635 HYD ARM GUARD
4	2	8049766 WELDMENT, LINKAGE ARM SHORT
5	6	8042489 CYLINDER PIN
6	6	U340050 PIN LINCH 3/16 X 1 9/16 ZP
7	2	8049376 STRIP, PLASTIC 1/4" X 2" X 6"
8	4	U030017 SCREW, SFH .250-20 X 1.00 ZP
9	8	8041883 BUSHING BRONZE 1.25 X 1.00 X .63 FLANGED
10	2	U000400 SCREW, HC .375-16 X .75 ZP G5
11	2	U210060 WASHER, LOCK .375 ZP
12	2	U200060 WASHER, FLAT .375 ZP
13	2	8043844 CYLINDER PIN FLANGED 1" X 5 1/2"
14	14	U200170 WASHER, FLAT 1.00
15	2	8041524 BUSHING BRONZE 1.25 X 1.00 X .75 PL
16	2	8043131 ROD END 1"-8 X 7 1/2"
17	2	8041327 CYLINDER, HYD DOOR 2" X 8"
18	2	T400611 REDUCER, 8MB-4MJ
19	2	8090251 FITTING, ORIFICE .020 4MB-4MJ
20	2	T400350 REDUCER, 8MB-4FB
21	1	8096225 LINKAGE CROSS TUBE ASSEMBLY 1200
22	2	8041602 BUSHING BRONZE 2.25 X 2.00 X 2.0 FLANGED
23	2	W000020 BEARING, CAMROL 1.25" CR 1 1/4
24	2	U160015 NUT, JAM .500-20
25	2	U120060 NUT, LOCK 1.00-8 NY ZP G2
26	2	U100240 NUT, HEX 1.00-8 ZP G2

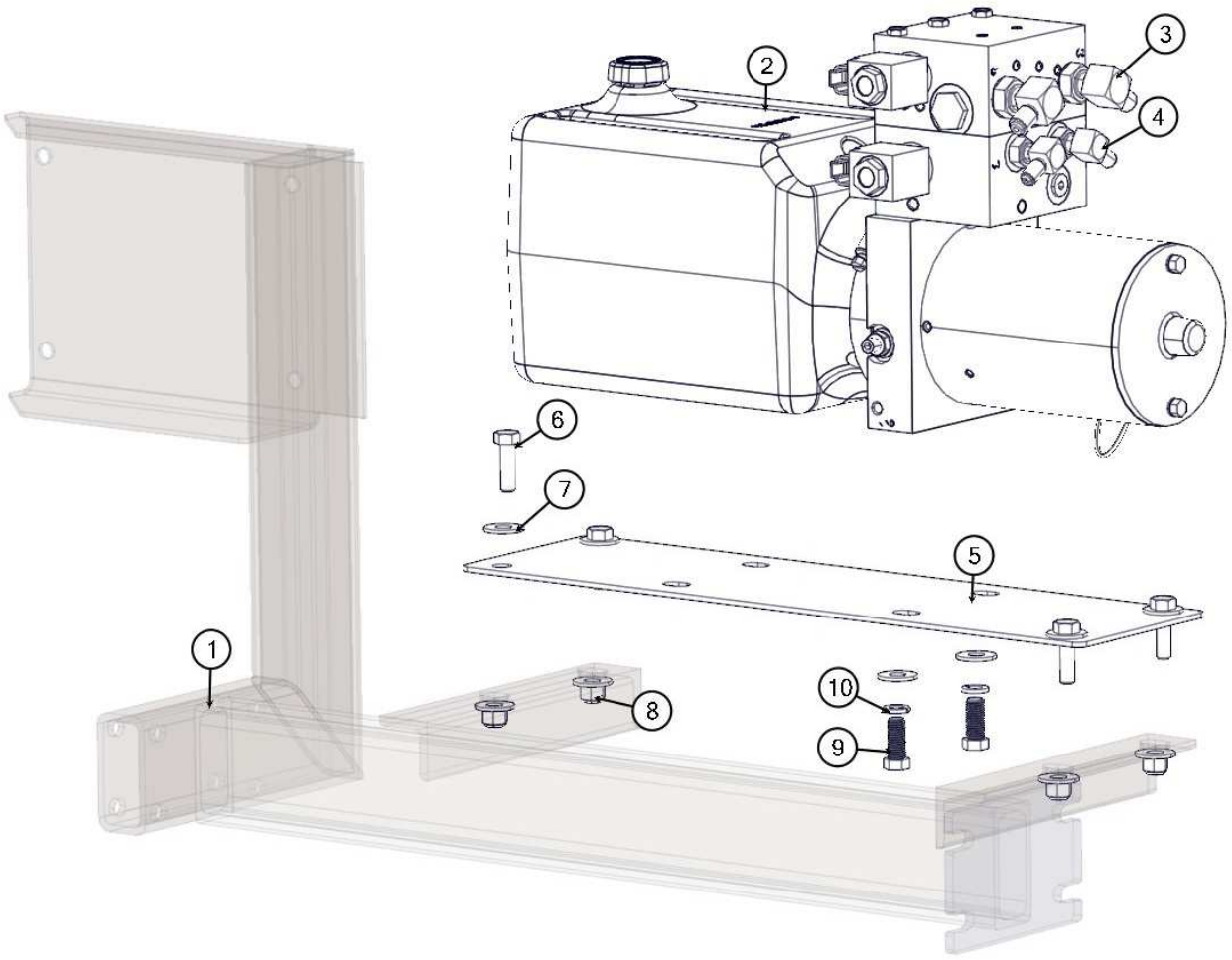
# FILTRATION ASSEMBLY



## FILTRATION ASSEMBLY

BOM ID	Qty	Description
1	4	8041594 HANDLE, WING .500-13
2	2	U120060 NUT, LOCK 1.00-8 NY ZP G2
3	1	8041552 LATCH, CYCLONE DOME REV FLOW
4	1	8041402 DOME, CYCLONE REV FLOW
5	1	8041612 GASKET, REV FLOW CYCLONE
6	4	8041593 BOLT, EYE 1/2-13 X 6
7	1	8095224 ASSEMBLY, EXHAUST ROUTING
8	1	8046458 CYCLONE HOUSING 1025 RF
9	4	8042606 CLAMP HOSE T-BOLT 450
10	1	8090234 HOSE VAC AG SUCTION 4-60"LG
11	1	8041597-207.00 HOSE AG SUCTION 4 X 207"LG
12	2	U000520 SCREW, HC .375-16 X 2.25 ZP G5
13	2	U000580 SCREW, HC .375-16 X 3.50 ZP G5
14	18	U200060 WASHER, FLAT .375 ZP
15	3	U120110 NUT, LOCK .375-16 NY ZP
16	1	8046338 FILTER HSG 1025 RF FLANGED
17	1	8031293 FILTER, AIR WASHABLE 1025 CFM
18	1	8041613 GASKET, REV FLOW AIR FILTER HD
19	1	U130080 NUT,WING -500-13 ZP
20	1	8041387 DOME, AIR FILTER REV. FLOW
21	1	8041554 LATCH, AIR FILTER DOME REV FLOW

# HYDRAULIC PUMP ASSEMBLY

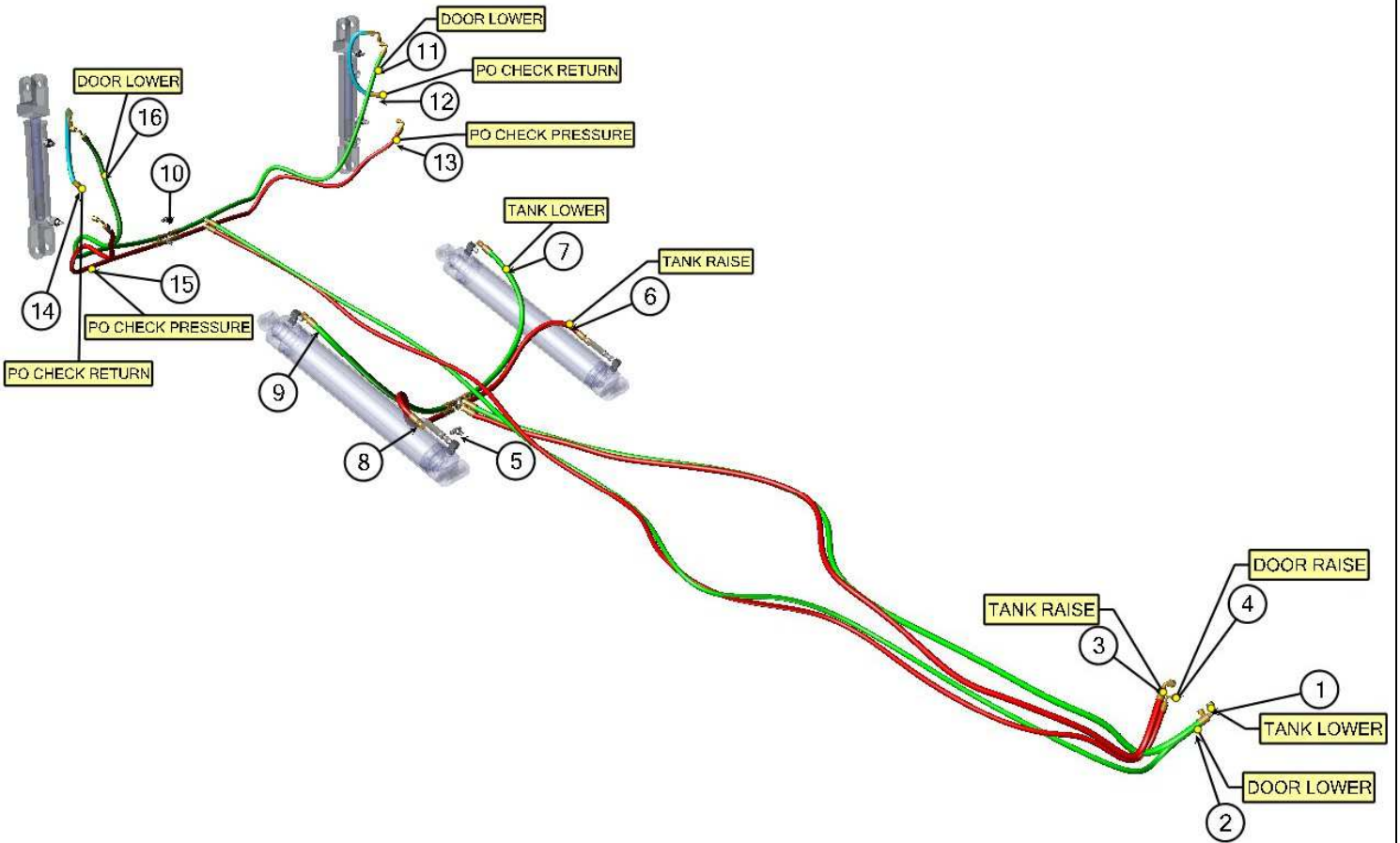


## HYDRAULIC PUMP ASSEMBLY

BOM ID	Qty	Description
1	1	8048384 BRACKET, HYD VERTICAL
2	1	8090901 PUMP, HYD 12V W/2 STACK MANIFOLD
3	2	T401250 ELBOW, 90 6MB - 6MJ
4	2	T401660 ELBOW, 90 6MB - 4MJ
5	1	8092597 PLATE, MOUNT HYD PUMP BRACKET
6	4	U000440 SCREW, HC .375-16 X 1.25 ZP G5
7	10	U200060 WASHER, FLAT .375 ZP
8	4	U120110 NUT, LOCK .375-16 NY ZP
9	2	U000420 SCREW, HC .375-16 X 1.00 ZP G5
10	2	U210060 WASHER, LOCK .375 ZP



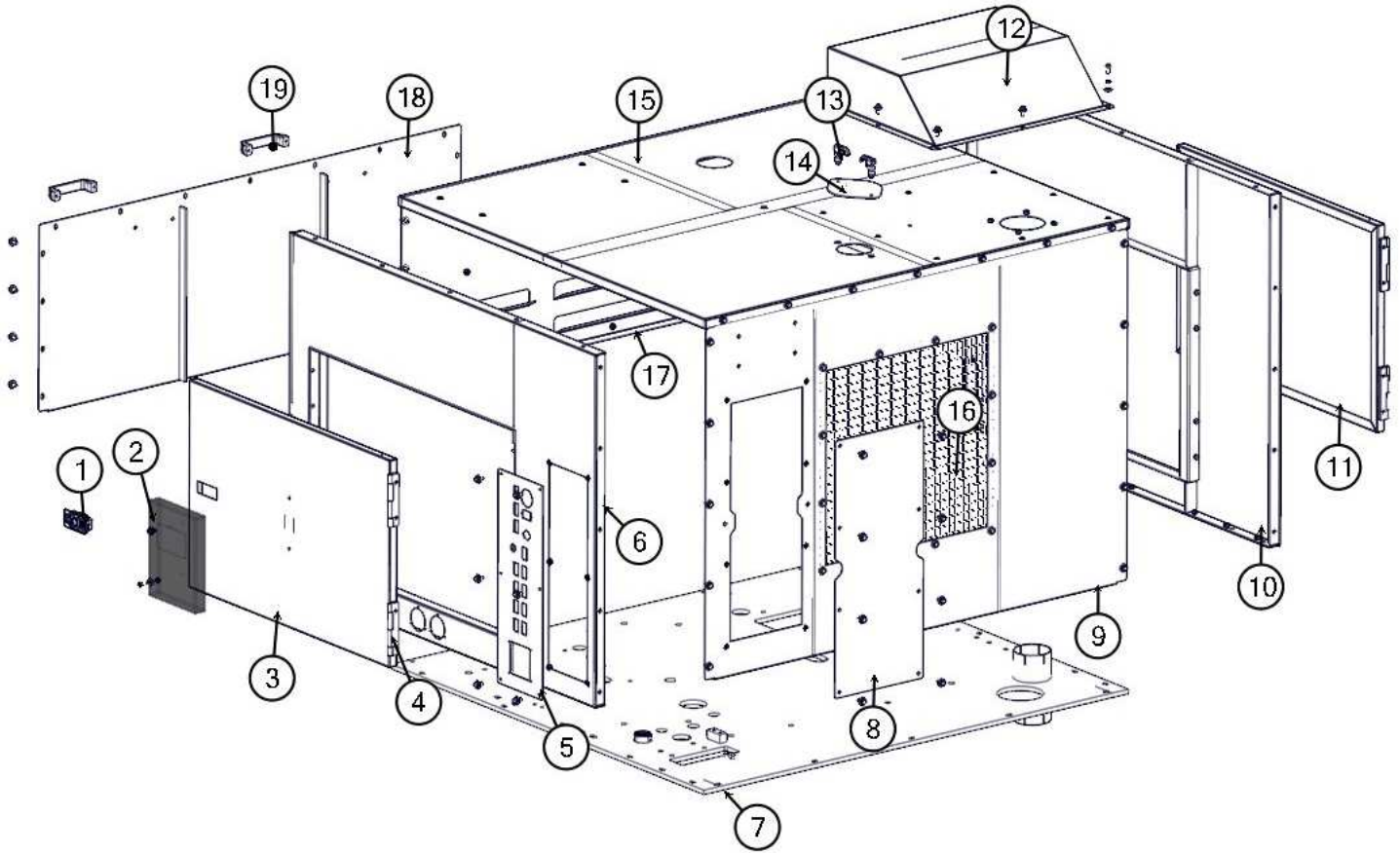
# HYDRAULIC PUMP HOSE ASSEMBLY



## HYDRAULIC PUMP HOSE ASSEMBLY

BOM ID	Qty	Description
1	1	8043783 HOSE ASSY VAC 6-114 ST-90
2	1	8046936 HOSE ASSY VAC 4-158 ST-90
3	1	8043783 HOSE ASSY VAC 6-114 ST-90
4	1	8046936 HOSE ASSY VAC 4-158 ST-90
5	2	T402154 TEE, 6MJ-6MJ-6MJ
6	1	8046490 HOSE ASSY VAC 6-24" ST-ST
7	1	8092869 HOSE ASSY VAC 6-28" ST-ST
8	1	8096490 HOSE ASSY VAC 6-24" ST-ST
9	1	8092869 HOSE ASSY VAC 6-28" ST-ST
10	2	T402035 TEE, 4MJ-4MJ-4MJ
11	1	8093183 HOSE ASSY VAC 4-46" ST-90
12	1	8044748 HOSE ASSY VAC 4-13" ST-90
13	1	8044987 HOSE ASSY VAC 4-40" ST-90
14	1	8044748 HOSE ASSY VAC 4-13" ST-90
15	1	8044987 HOSE ASSY VAC 4-40" ST-90
16	1	8093183 HOSE ASSY VAC 4-46" ST-90

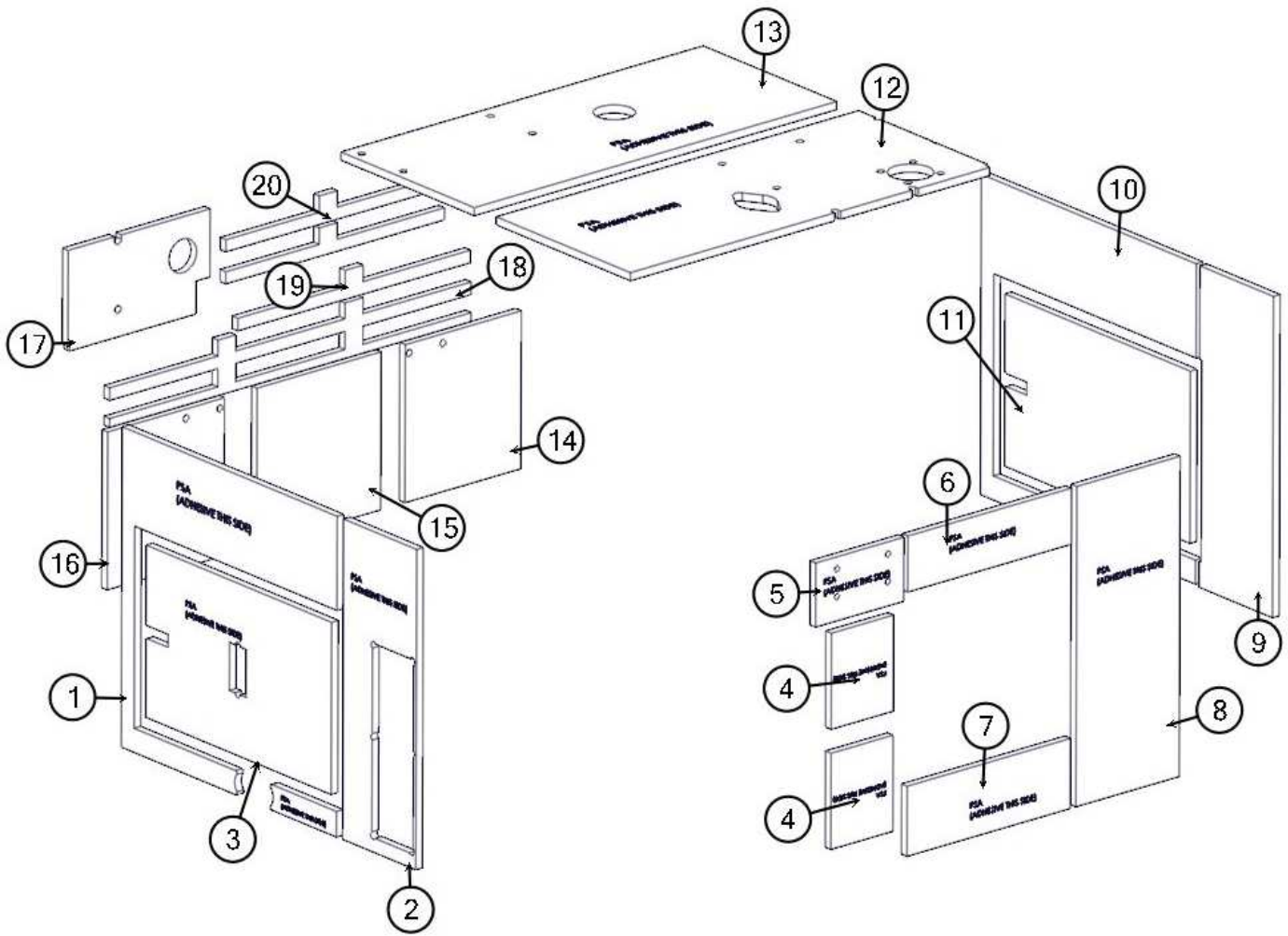
# ENCLOSURE ASSEMBLY



## ENCLOSURE ASSEMBLY

BOM ID	Qty	Description
1	2	8040586 SEALED LEVER LATCH
2	1	E250210 BOX, SAFETY MANUAL
3	1	8096213 WELDMENT, ENCLOSURE DOOR W/MANUAL BOX
4	4	8093873 HINGE, DOOR ENCLOSURE
5	1	8095541 PLATE, ENCLOSURE CONTROL PANEL
6	1	8095527 WELDMENT, PANEL CURBSIDE
7	1	8095333 WELDMENT, ENGINE PLATE 75HP
8	1	8095549 PLATE, ACCESS BATTERY
9	1	8095542 WELDMENT, PANEL RADIATOR
10	1	8095536 WELDMENT, ENCLOSURE STREETSIDE
11	1	8095538 WELDMENT, ENCLOSURE DOOR
12	1	8095517 WELDMENT, BLOWER INTAKE BOX
13	2	8040334 SWELL LATCH
14	1	8040592 ENCLOSURE RADIATOR COVER
15	1	8095521 WELDMENT, PANEL TOP
16	1	8095805 RADIATOR GRATE
17	1	8095545 WELDMENT, PANEL REAR UPPER
18	1	8095547 WELDMENT, ENCLOSURE REAR LOWER
19	2	8095551 HANDLE, PULL

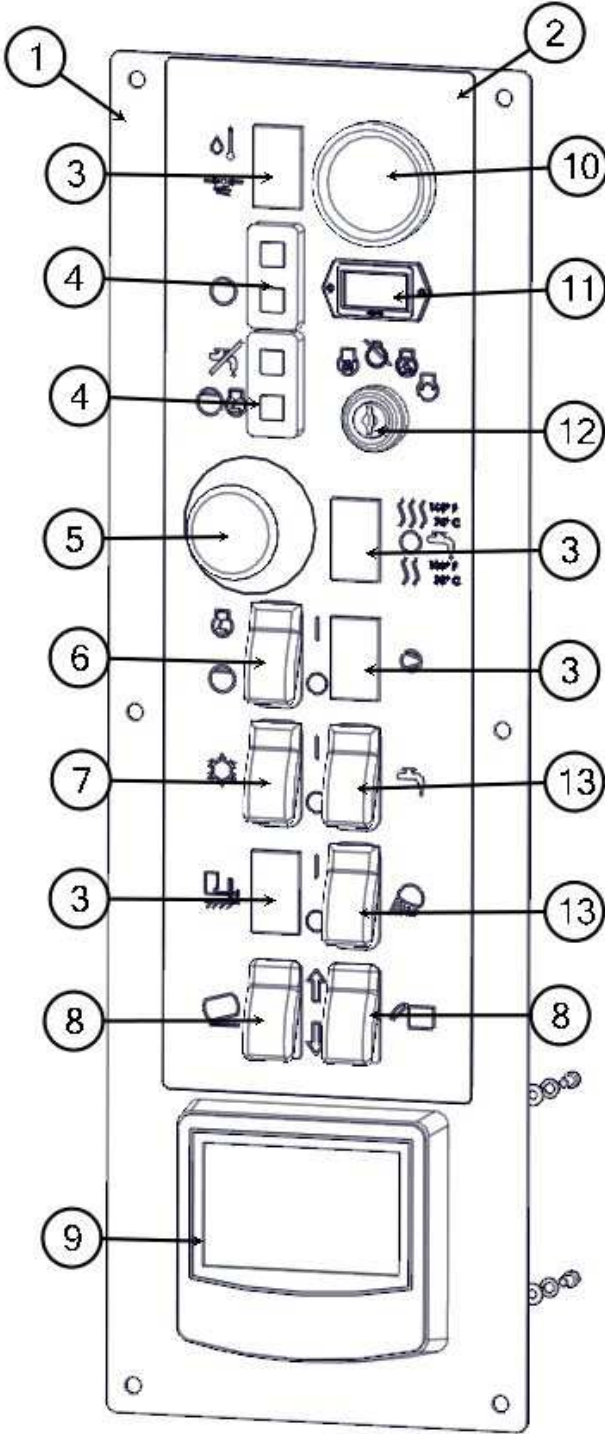
# ENCLOSURE FOAM ASSEMBLY



## ENCLOSURE FOAM ASSEMBLY

BOM ID	Qty	Description
1	1	8095558-01 PANEL 1, FOAM ENCLOSURE
2	1	8095558-02 PANEL 2, FOAM ENCLOSURE
3	1	8095558-21 PANEL 21, FOAM ENCLOSURE
4	2	8095558-08 PANEL 8, FOAM ENCLOSURE
5	1	8095558-07 PANEL 7, FOAM ENCLOSURE
6	1	8095558-18 PANEL 18, FOAM ENCLOSURE
7	1	8095558-06 PANEL 6, FOAM ENCLOSURE
8	1	8095558-05 PANEL 5, FOAM ENCLOSURE
9	1	8095558-04 PANEL 4, FOAM ENCLOSURE
10	1	8095558-03 PANEL 3, FOAM ENCLOSURE
11	1	8095558-15 PANEL 15, FOAM ENCLOSURE
12	1	8095558-16 PANEL 16, FOAM ENCLOSURE
13	1	8095558-17 PANEL 17, FOAM ENCLOSURE
14	1	8095558-09 PANEL 9, FOAM ENCLOSURE
15	1	8095558-20 PANEL 20, FOAM ENCLOSURE
16	1	8095558-19 PANEL 19, FOAM ENCLOSURE
17	1	8095558-10 PANEL 10, FOAM ENCLOSURE
18	1	8095558-11 PANEL 11, FOAM ENCLOSURE
19	1	8095558-14 PANEL 14, FOAM ENCLOSURE
20	2	8095558-12 PANEL 12, FOAM ENCLOSURE

# CONTROL PANEL ASSEMBLY

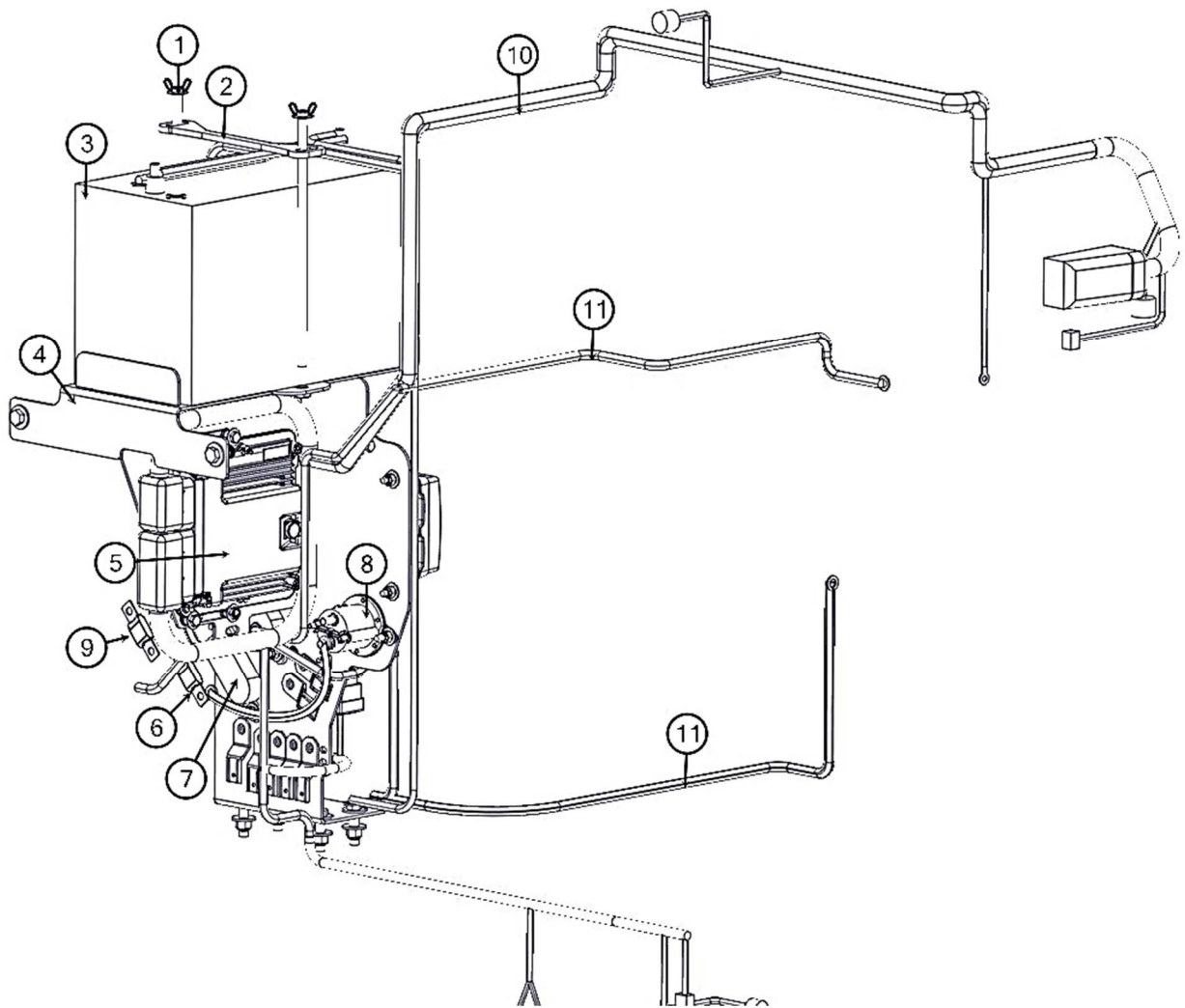


## CONTROL PANEL ASSEMBLY

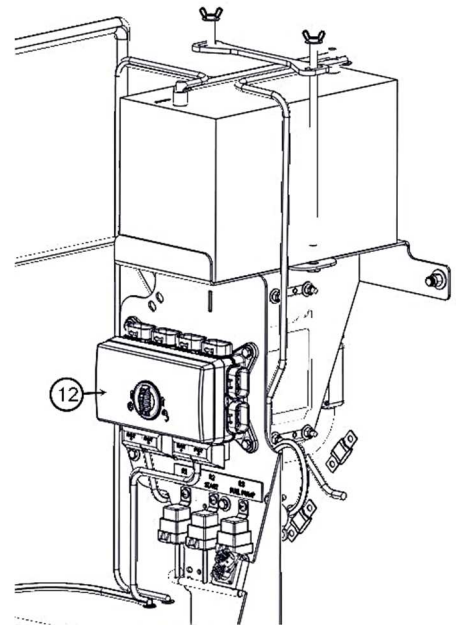
BOM ID	Qty	Description
1	1	8095541 PLATE, ENCLOSURE CONTROL PANEL
2	1	J200069 DECAL, VX75 CONTROL PANEL
3	4	X000290 PLUG, ROCKER HOLE
4	2	X000260 LIGHT, LED DUAL PANEL
5	1	X000280 SWITCH, EMERGENCY STOP
6	1	X000273 ROCKER SWITCH SPST (ON) NONE OFF
7	1	X000272 ROCKER SWITCH DPST (ON) NONE-ON
8	2	X000274 ROCKER SWITCH DPST (ON) OFF (ON)
9	1	8093970-06 DISPLAY, POWERVIEW PV480 DEUTZ 75HP
10	1	X100001 GAUGE, FUEL WEMA
11	1	X000300 HOUR METER
12	1	8030458 SWITCH, IGNITION
13	2	X000270 ROCKER SWITCH SPST ON-OFF



# ELECTRICAL ASSEMBLY



# ELECTRICAL ASSEMBLY

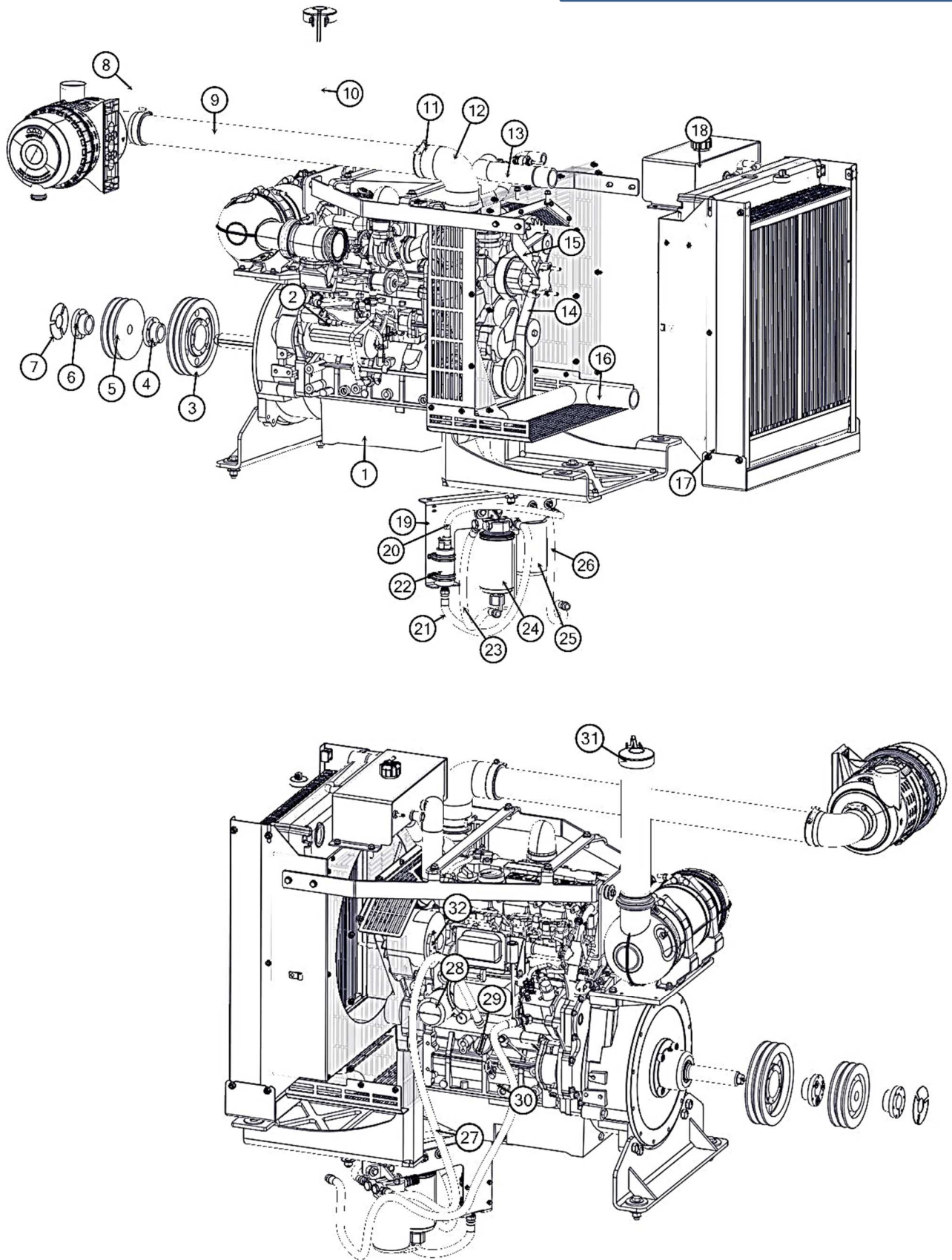


BOM ID	Qty	Description
1	2	8043742 BATTERY ROD HOLD DOWN VK
2	1	8050016 STRAP, FOR BATTERY
3	1	X400050 BATTERY, 31-MHD WORKAHOLIC
4	1	8095985 WELDMENT, ELECTRICAL BRACKET
5	1	8093970-08 DEUTZ 75HP PTO-CONTROL
6	1	8091757 FUSE 100A AMG
7	2	8043800 FUSE HOLDER AMG
8	1	8046258 SWITCH HYD PUMP
9	1	8043801 FUSE, AMG 250A
10	1	X200253 HARNESS, VX ENGINE
11	1	8096253 KIT, BATTERY CABLE VX75
12	1	X000239 VEHICLE ELECTRICAL CENTER

\*NOT SHOWN

X200251 1 MAIN HARNESS  
X200259 1 CONTROL PANEL HARNESS

# ENGINE ASSEMBLY

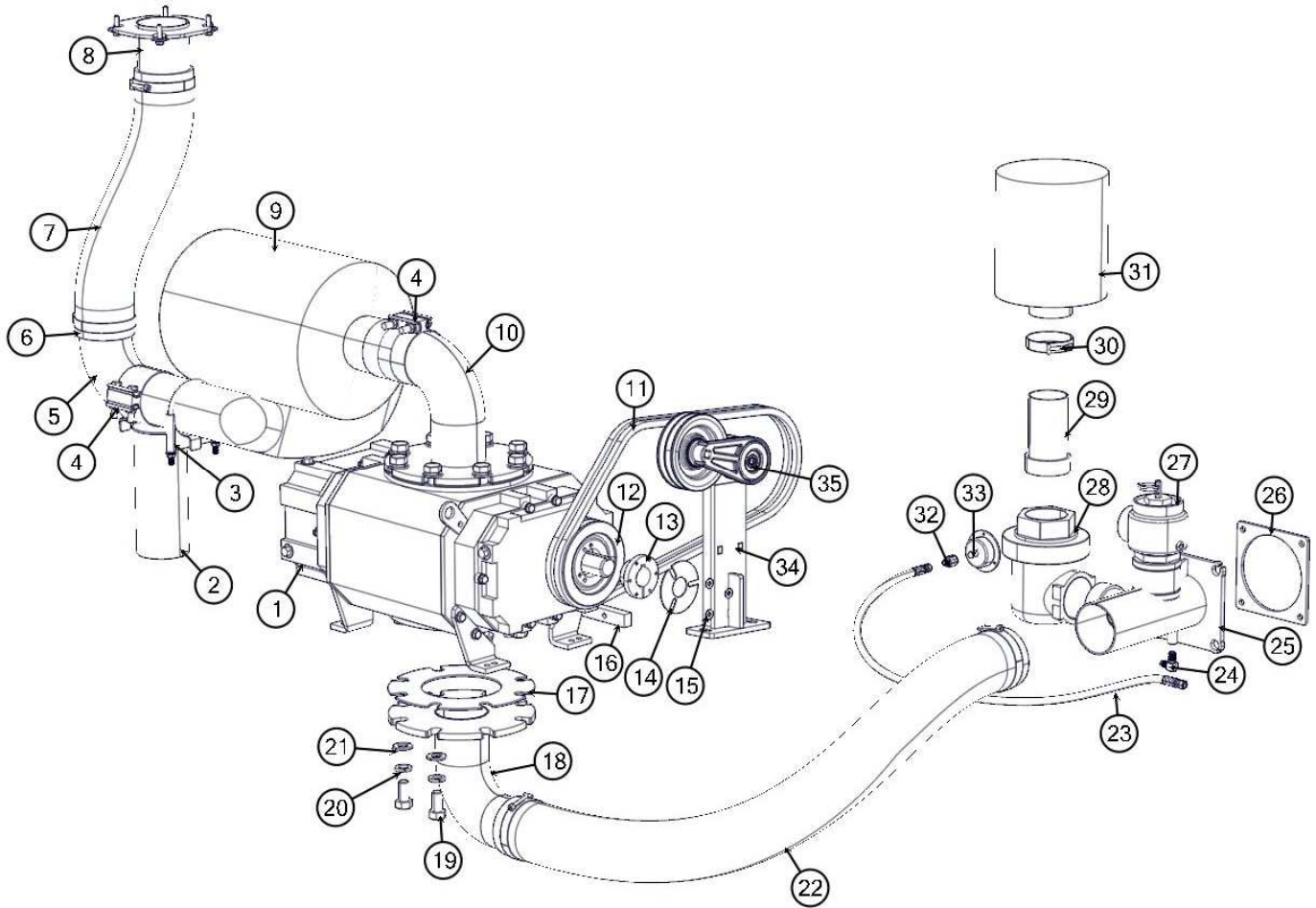


# ENGINE ASSEMBLY

BOM ID	Qty	Description
1	1	8093970 ENGINE, DEUTZ TD 2.9 L4 T4F
2	1	8093970-10 STARTER
3	1	8040482 SHEAVE, 8.35" OD SK ENGINE
4	1	8040483 BUSHING, SK 1 7/16"
5	1	8040697 SHEAVE, 6.55"OD - SDS 2 GROOVE
6	1	8040960 BUSHING, SDS 1 7/16 ENGINE
7	1	8048364 RETAINER FOR 1 1/2" BUSHING 3 HOLE
8	1	8093970-07 ASSEMBLY, AIR CLEANER DEUTZ
9	1	8096058 TUBE, RD OD 3" X 2.87"ID ERW X 36"LG
10	1	8095959 EXHAUST PIPE
11	4	8042605 CLAMP HOSE T-BOLT 350
12	1	8091494 EXHAUST INTAKE ELBOW 90 RUBBER 3 X 3
13	1	8093970-19 UPPER RADIATOR HOSE
14	1	8093970-18 V-BELT
15	1	8093970-17 FAN
16	1	8093970-20 LOWER RADIATOR HOSE
17	1	8093970-21 RADIATOR
18	1	8093970-22 OVERFLOW TANK
19	1	8095388 BRACKET, FUEL SYSTEM VX75
20	1	8049946-20.00 HOSE, FUEL 5/16 - 20"
21	1	T300457-23.00 HOSE, FUEL 3/8 - 23"LG
22	1	8093970-01 FUEL PUMP, DEUTZ
23	1	T300457-26.50 HOSE, FUEL 3/8 - 26.50"LG
24	1	8093970-02 WATER SEPERATOR, DEUTZ
25	1	8093970-03 FUEL FILTER, DEUTZ
26	1	T300457-78.00 HOSE, FUEL 3/8 - 78"LG
27	1	8093970-04 FUEL SUPPLY LINE, DEUTZ
28	1	8093970-12 OIL FILTER
29	1	8093970-14 CAP, OIL
30	1	8093970-13 DIPSTICK, OIL
31	1	8044537 RAIN CAP 3" SILENT
32	1	8093970-11 GENERATOR

\*NOT SHOWN  
QTY 1 AIR FILTER - 8093970-24

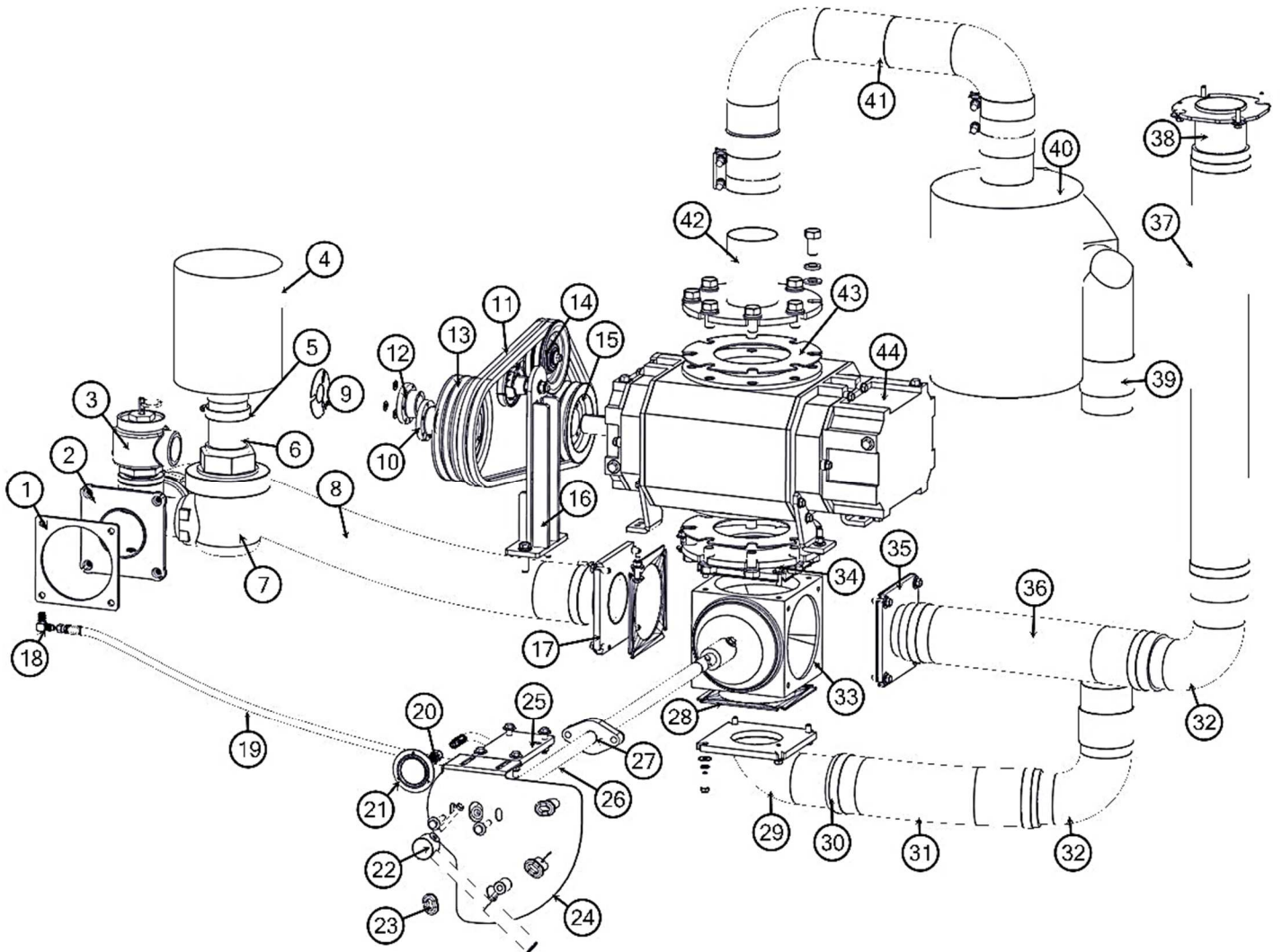
# BLOWER ASSEMBLY



## BLOWER ASSEMBLY

BOM ID	Qty	Description
1	1	8045164 PUMP, VAC 1200 RH SHAFT TOPOUT
2	1	8096222 WELDMENT, SILENCER SUPPORT
3	1	8031193 CLAMP, U-BOLT 4" EXHAUST
4	2	8030400 CLAMP, BAND 4" EXHAUST
5	1	8092509 WELDMENT, ELBOW EXHAUST 4-WAY TO SILENCER
6	4	8042606 CLAMP HOSE T-BOLT 450
7	1	8092929-021.438 HOSE, BLOWER HOT AIR 4"ID X 21 7/16"LG
8	1	8095622 WELDMENT, BLOWER EXHAUST FLANGE
9	1	8030917 SILENCER, 4" COWL FOR 1025 CFM
10	1	8049871 WELDMENT, BLOWER FLANGE ELBOW
11	2	8049163 BELT, BP59 PREDATOR
12	1	8047969 SHEAVE, 2B60 6.35"OD SD 2 GROOVE
13	1	8045305 BUSHING, SD 1 1/2"
14	1	8048364 RETAINER FOR 1 1/2" BUSH 3 HOLE
15	3	U200020 WASHER, FLAT .250 ZP
16	1	8047006 TENSIONER BAR 99XT
17	2	8046996 GASKET, BLOWER FLANGE ROOTS 412
18	1	8049871 WELDMENT, BLOWER FLANGE ELBOW
19	16	U001360 SCREW, HC .750-10 X 1.50 ZP G5
20	16	U210160 WASHER, LOCK .750 ZP
21	16	U200165 WASHER, FLAT .750 ZP SAE HARD
22	1	8092929-048.500 HOSE, BLOWER HOT AIR 4"ID X 48 1/2"LG
23	1	8042927 HOSE ASSY VAC 4-50" ST-ST
24	1	T401100 ELBOW, 90 4MP - 4MJ
25	1	8048126 HEADER, 4" AIR FILTER HDRF
26	1	8046191 GASKET, DOOR INLET/OUTLET
27	1	8041035 VALVE, 2.5" AIR RELIEF SET 5PSI
28	1	8030866 VALVE, 3" AIR RELIEF SET 15"HG
29	1	8045238 UNION EXHAUST 3" OD-MNPT
30	1	8042605 CLAMP HOSE T-BOLT 350
31	1	8043553 FILTER, AIR 3" 245 CFM
32	1	T400110 UNION, 4FP - 4MJ
33	1	8041074 VACUUM GAUGE
34	1	8095973 WELDMENT, BLOWER BELT TENSIONER BRACKET
35	1	8049156 AUTO TENSIONER FOR DUAL V BELT

# BLOWER ASSEMBLY RF

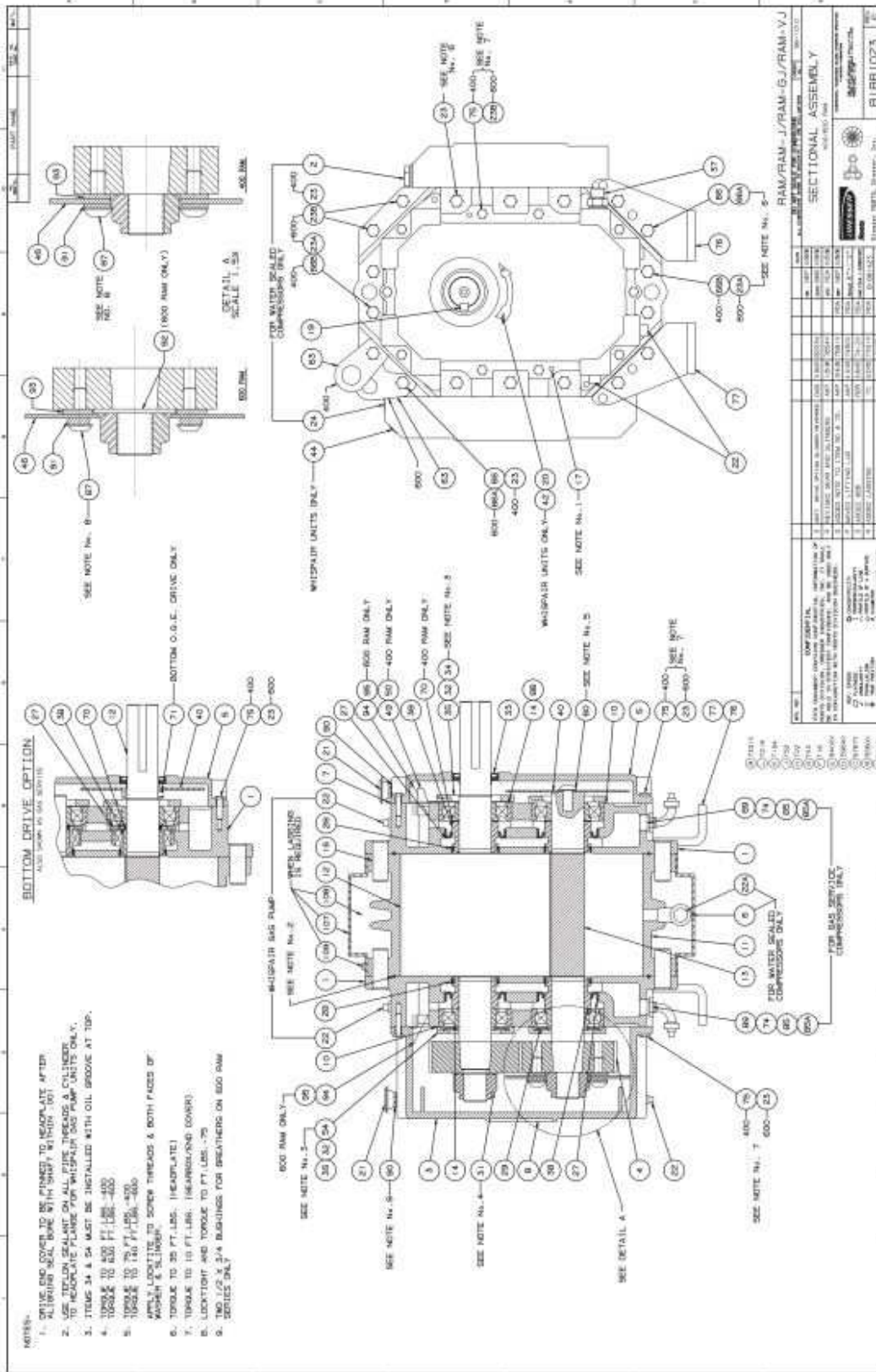


## BLOWER ASSEMBLY RF

BOM ID	Qty	Description
1	1	8046191 GASKET, DOOR INLET/OUTLET
2	1	8048126 HEADER, 4" AIR FILTER HDRF
3	1	8041035 VALVE, 2.5" AIR RELIEF SET 5 PSI
4	1	8043553 FILTER, AIR 3" 245 CFM
5	1	8042605 CLAMP HOSE T-BOLT 350
6	1	8045238 UNION EXHAUST 3" OD-MNPT
7	1	8030866 VALVE, 3" AIR RELIEF SET 15" HG
8	1	8092929-048.00 HOSE BLOWER HOT AIR 4" X 48"LG
9	1	8048364 RETAINER FOR 1 1/2" BUSHING 3 HOLE
10	1	8040483 BUSHING, SK 1 7/16"
11	2	8049163 BELT, BP59 PREDATOR
12	1	8045305 BUSHING, SD 1 1/2"
13	1	8040482 SHEAVE, 8.35" OD SK ENGINE
14	1	8049156 AUTO TENSIONER FOR DUAL V BELT
15	1	8047969 SHEAVE, 2B60 6.35"OD SD 2 GROOVE
16	1	8095973 WELDMENT, BLOWER BELT TENSIONER BRACKET
17	1	8046984 WELDMENT, FLANGE EXHAUST 4-WAY 6 X 4 TUBE
18	1	T401100 ELBOW, 90 4MP-4MJ
19	1	8042927 HOSE ASSY VAC 4-50" ST-ST
20	1	T400110 UNION, 4FP-4MJ
21	1	8041074 GAUGE, COMPOUND PRESSURE/VACUUM
22	1	8041617 HANDLE, 4" REV FLOW W/GRIP
23	3	8048585 GROMMET, REV FLOW PLATE
24	1	8046202 BRACKET, REV FLOW CONTROL
25	1	8096036 PLATE, MOUNT CONTROLS REV FLOW
26	1	8048342 REV FLOW ROD U-JOINT
27	1	W030080 BEARING, FLANGE 2 BOLT 1" BORE
28	4	8046995 GASKET, FLANGE 4-WAY 6"
29	1	8091913 WELDMENT, ELBOW 6" VALVE FLANGE
30	8	8042606 CLAMP HOSE T-BOLT 450
31	1	8092929-017.00 HOSE BLOWER HOT AIR 4" X 17"LG
32	2	8041814 ELBOW, 90 4" EXHAUST 4"RAD 4"OD-OD
33	1	8045829 VALVE, 4-WAY 6" W/O FLANGES
34	1	8048089 BRACKET, REV FLOW BLOWER TO 4-WAY
35	1	8046984 WELDMENT, FLANGE EXHAUST 4-WAY 6 X 4 TUBE
36	1	8092929-022.00 HOSE BLOWER HOT AIR 4" X 22"LG
37	1	8092929-037.00 HOSE BLOWER HOT AIR 4" X 37"LG
38	1	8095622 WELDMENT, BLOWER EXHAUST FLANGE
39	4	8030400 CLAMP, BAND 4" EXHAUST
40	1	8030917 SILENCER, 4" COWL FOR 1025 CFM
41	1	8096035 WELDMENT, BLOWER DEUTZ 75HP RF
42	1	8046988 BLOWER FLANGE OUTLET
43	2	8046996 GASKET, BLOWER FLANGE ROOT 412
44	1	8045164 PUMP, VAC 1200 RH SHAFT TOPOUT



# BLOWER



Assembly of RAM Series - Air & Gas Blowers

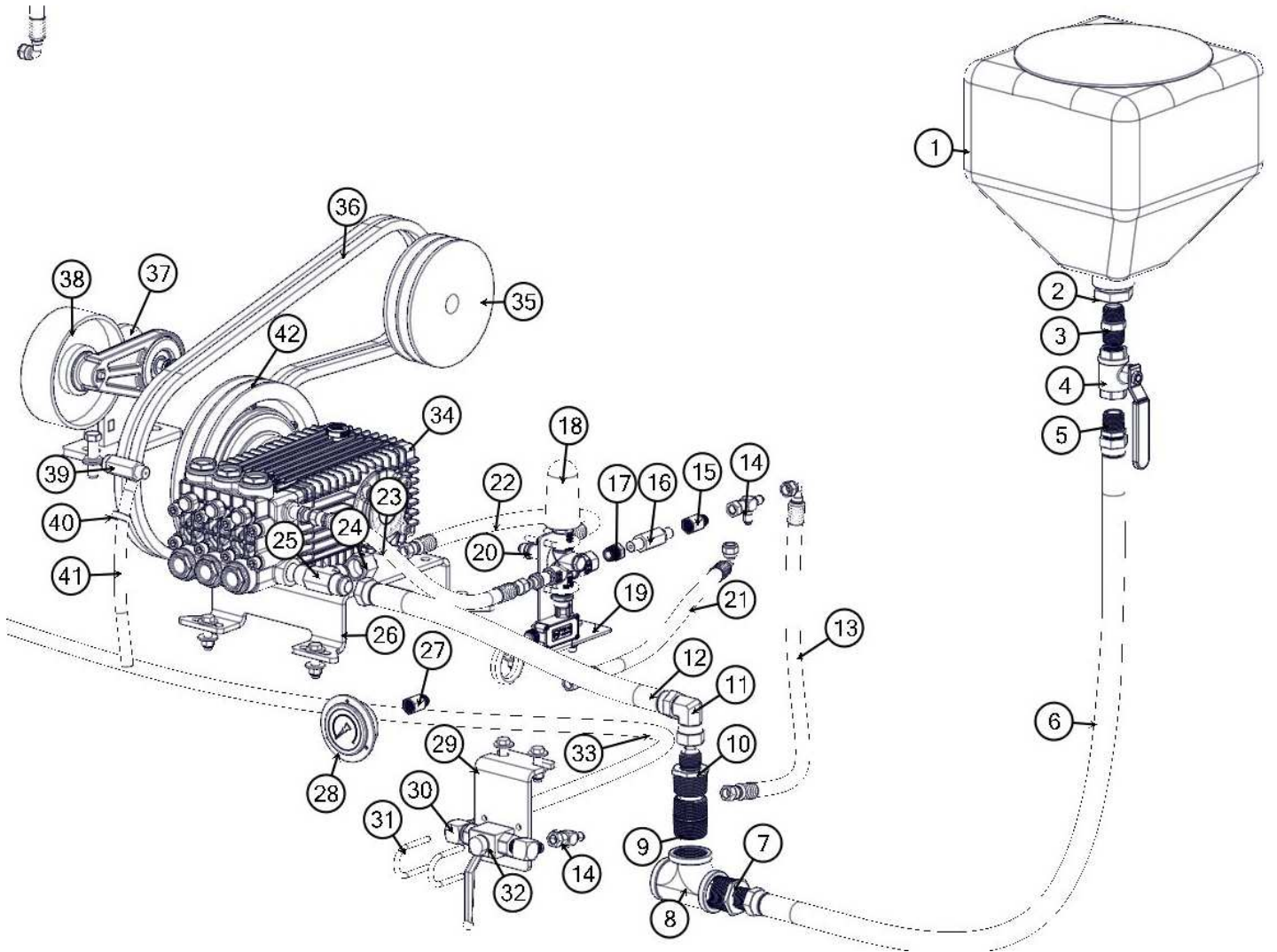
# BLOWER

**RAM series parts list 4" & 6" gear diameter  
for Gas, DVJ, DPJ & JV  
(Refer to drawing #81881023)**

Item #	Part Name	Qty.
1	Headplate	2
2	Spray nozzle assembly	1
3	Gearbox	1
4	Timing Gears	2
5	End Cover	1
7	Gasket - Gearbox/Cover	2
10	Shims	Lot
11	Cylinder	1
12	Impeller & Shaft Drive	1
13	Impeller & Shaft Driven	1
14	Bearing Roller	4
16	Pin, Dowel (Pull Out)	4
17	Pin, Dowel	2
19	Key Square	1
21	Plug - Vent	2
22	Plug, Pipe	12
23	Screw, Cap Hex Hd.	*
27	Seal, Lip Headplate DVJ, DPJ, VJ	4
27	Seal-Mech-Viton Gas	4
28	Piston, Ring-Seal	4
29	Washer, Wavy Spring	2
31	Gear Nut	2
32	Scr, Cap Hex Hd.	16
33	Seal, Lip Drive	1
34	Brg. Clamp Plate - D. E.	2
35	Lock Washer - Spring	16
37	Oil Level Gauge	2
38	Sleeve, Shaft DVJ, DPJ, JV	4
38	Sleeve - Gas	4
40	Slinger - D.E. (Top Drive)	1
46	Slinger - G.E.	1
49	Oil Leader L/S	1
50	Oil, Leader-R/S	1
54	Brg Clamp Plate - G. E.	2
60	Screw, Cap Butt. HD.	1
64	Pin, Spring	1
66	Screw, Cap Hex HD.	*
66.1	Whispair, Spring Lock 3/8M	*
70	Shims D.E. Brg.	1
75	Screw, Cap - Hex HD.	*
76	Blower Foot - RH	2
77	Blower Foot - LH	2
85	Elb, Pipe-Black	2
85.1	Plug, Pipe	2
87	Scr, Cap BH	2
88	Anti Rotation Ball	4
90	BSHG-RDCG	2
91	Washer, Plain Flat	2
92	Washer, Plain Flat	2
93	Washer	2
94	Oil Leader	2
95	Cap Screw	4

\*Quantity varies by blower.

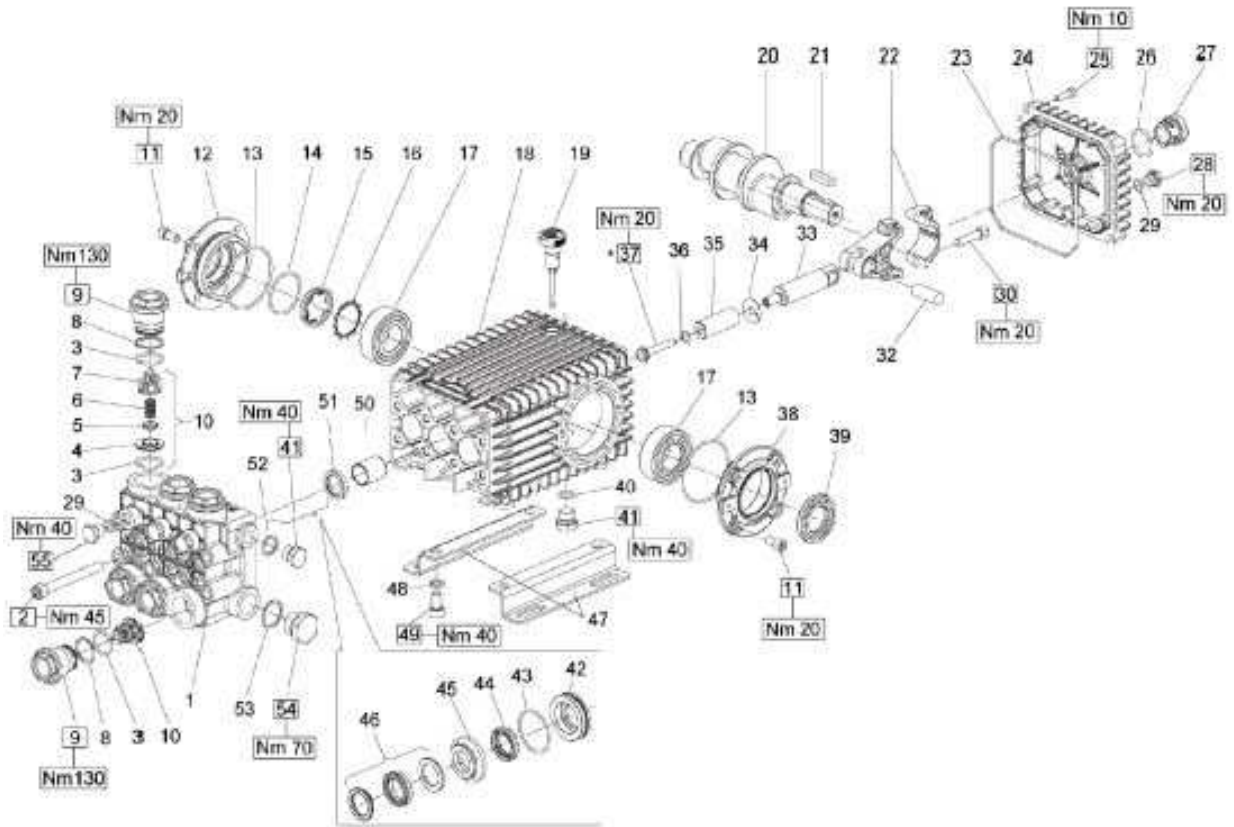
# WATER PUMP ASSEMBLY



# WATER PUMP ASSEMBLY

BOM ID	Qty	Description
1	1	8030394 TANK, ANTIFREEZE 4 GAL W CAP
2	1	T403100 REDUCER, 20MP-12FP
3	1	T400800 UNION, 12MP-12MP
4	1	T000185 VALVE, BALL 3/4" FNPT BRASS
5	1	T400100 UNION, 12MP-12MJ
6	1	8030539-041.00 HOSE, PUSHLOCK 12 X 41"LG
7	1	T403017 REDUCER, 20MP-12MJ
8	1	8041310 TEE, 1.25"FP ALL LEGS GALV
9	1	T421040 NIPPLE, CLOSE 1 1/4"MP X 2" BLACK
10	1	T403017 REDUCER, 20MP-12MJ
11	1	T401628 ELBOW, 90 12FJ-12MJ
12	1	8030539-020.00 HOSE, PUSHLOCK 12 X 20"LG
13	1	8093435 HOSE ASSY VAC 6-31" ST-90
14	2	T402153 TEE, 6FJ-6MJ-6MJ
15	1	8031126 REDUCER, 4FP-6MJ
16	1	8030923 FILTER, WATER HIGH PRESSURE
17	1	T400023 REDUCER, 6MP-4FP
18	1	8048979 VALVE, UNLOADER BLUE W/SWITCH
19	1	8093220 MOUNT, UNLOADER ENGINE PLATE
20	3	T400028 UNION, 6MP-6MJ
21	1	8043960 HOSE ASSY AVC 6-17" ST-90
22	1	8093444 HOSE ASSY VAC 6-14" ST-90
23	1	8091323 HOSE ASSY VAC 6-14" ST-ST
24	1	T403134 REDUCER, 3/4"FJ - 3/8"MJ
25	1	T402025 TEE, 12MP-12MJ-12MJ
26	1	8095995 PLATE, WATER PUMP MOUNT
27	1	8031126 REDUCER, 4FP-6MJ
28	1	8030372 GAUGE, 5000PSI 2.5"LF CBM
29	1	8040670 BRACKET, BALL VALVE
30	2	T401102 ELBOW, 90 6MP-6MJ
31	4	U010017 U-BOLT, .250-20
32	1	8030351 VALVE, BALL 3/8" RATE 3K PSI
33	1	8049023 HOSE ASSY VAC 6-370" ST-90 (TANK CLEANOUT)
34	1	8047941 PUMP, WATER TSF2021 8.5GPM 3600PSI
35	1	8040697 SHEAVE, 6.55"OD - SDS 2 GROOVE
36	2	8049162 BELT, BP57 PREDATOR
37	1	8095969 WELDMENT, 8GPM BELT TENSIONER BRACKET
38	1	8096205 AUTO TENSIONER FLAT FACED PULLEY
39	1	8030340 VALVE RELIEF WATER PRESET 4700 PSI
40	1	U800015 CLAMP, HOSE SIZE 04 - 5/8"
41	1	T300020-010.00 HOSE, #4 X 10"LG
42	1	8096060 CLUTCH, 9.75" PITCH DIA.

# WATER PUMP TSF2021



## TORQUE SPECS\*

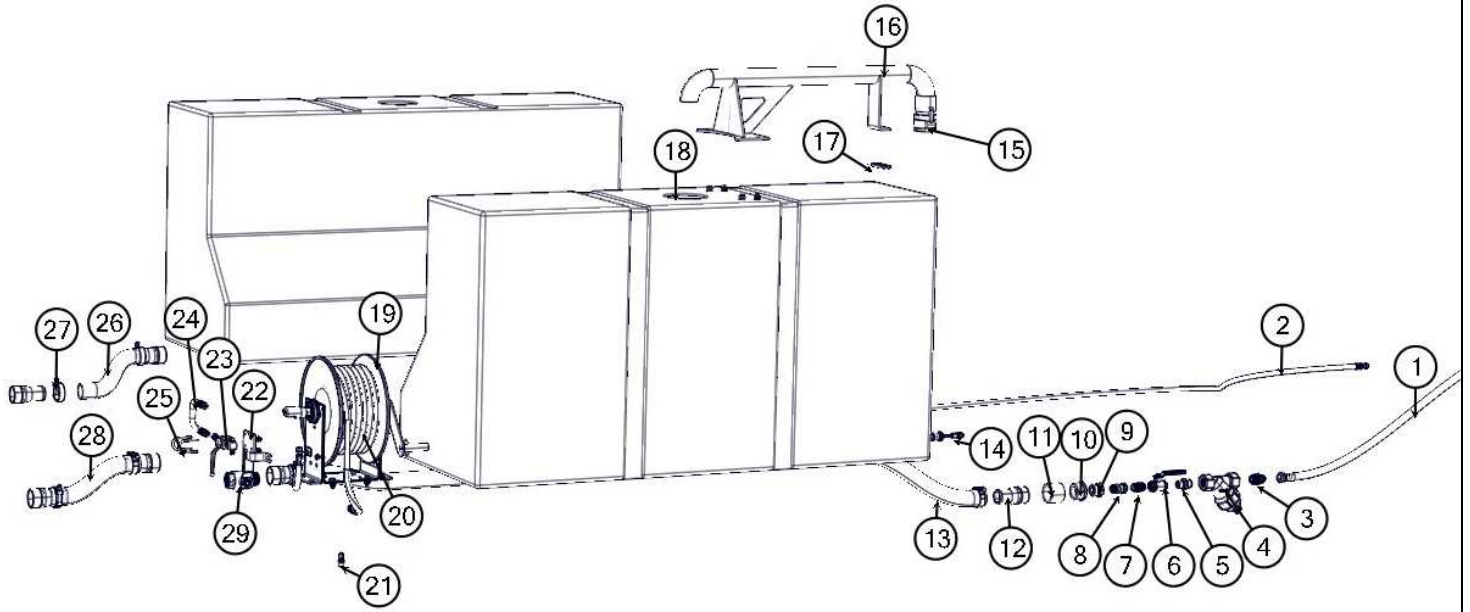
\*Decrease torque by 20%  
if threads are lubricated

POS.	Nm	Ft/lb
2	45	33.2
9	130	95.9
11	20	14.8
25	10	7.4
28	20	14.8
30	20	14.8
37**	20	14.8†
41	40	29.5
49	40	29.5
54	70	51.6
55	40	29.5

# WATER PUMP TSF2021

ITEM	QTY.	PART #	DESCRIPTION	ITEM #S INCL'D IN KIT	NO. OF ASSY IN KIT	NO. OF CYL KIT WILL SERVICE
1	1	8047941-1	Manifold, 20mm			
2	8	8047941-2	Headbolt, M10 x 90			
3	12	8047941-3	O-ring, 23.81 x 2.62			
4	6	8047941-4	Seat, Valve			
5	6	8047941-5	Seat, Poppet			
6	6	8047941-6	Valve Spring 10 x 18 x 18.5			
7	6	8047941-7	Guide, Valve			
8	6	8047941-8	Anti-ext ring 24.7 x 29 x 1.5			
9	6	8047941-9	Plug, M32 x 1.5 x 29.5			
10	6	8047941-10	Valve Assembly Complete			
11	8	8047941-11	Screw, M8 x 16			
12	1	8047941-12	Cover			
13	2	8047941-13	O-ring, 67.95 x 2.62			
14	1	8047941-14	O-ring, 39.34 x 2.62			
15	1	8047941-15	Oil Sight Glass			
16	1	8047941-16	Retainer Clip			
17	2	8047941-17	Bearing			
18	1	8047941-18	Crankcase			
19	1	8047941-19	Dip Stick			
20	1	8047941-20	Crankshaft, 19mm Stroke			
21	1	8047941-21	Key, 9 x 7 x 35			
22	3	8047941-22	Connecting Rod, Complete			
23	1	8047941-23	O-ring 133.02 x 2.62			
24	1	8047941-24	Rear Cover			
25	4	8047941-25	Screw, M6 x 20			
26	1	8047941-26	O-ring 26.58 x 3.53			
27	1	8047941-27	Oil Indicator			
28	1	8047941-28	Plug, G1/4" x 9			
29	4	8047941-29	O-ring .426 x .070			
30	6	8047941-30	Screw, M8 x 35			
32	3	8047941-32	Wrist Pin, 14 x 39			
33	3	8047941-33	Pisten Guide			
34	3	8047941-34	Flinger Washer			
35	3	8047941-35	Plunger (20 mm)			
37	3	8047941-37	Screw, Plunger			
38	1	8047941-38	Side Cover			
39	1	8047941-39	Seal Shaft			
40	1	8047941-40	O-ring, 13.95 x 2.62			
41	2	8047941-41	Plug 3/8 x 13			
42	3	8047941-42	Seal Retainer 20mm			
43	3	8047941-43	O-ring, 34.65 x 1.78			
44	3	8047941-44	LP Seal 20mm			
45	3	8047941-45	Intermed. Ring 20mm			
46	3	8047941-46	HP Seal 20mm			
47	2	8047941-47	Pump Rail			
48	4	8047941-48	Washer M10			
49	4	8047941-49	Screw, M10 x 18			
50	3	8047941-50	Guide Bushing			
51	3	8047941-51	Seal, Plunger Rod			
52	1	8047941-52	Gasket, Al. 3/8"			
53	1	8047941-53	Washer			
54	1	8047941-54	Plug, G3/4" x 16			
55	3	8047941-55	Plug 1/4" x 13			
<b>KIT #</b>						
8047941-KIT170				44, 46	3	3
8047941-KIT171				42,43,44,45,46	1	1

# WATER TANK ASSEMBLY



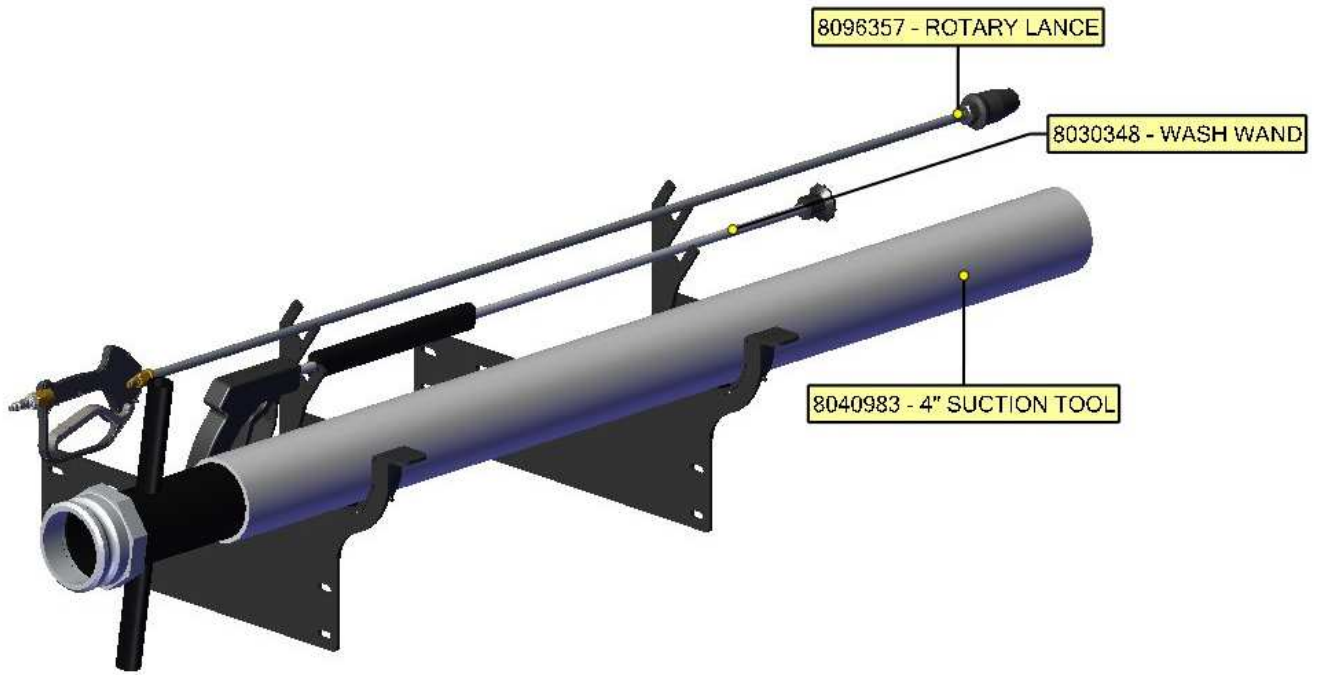
## WATER TANK ASSEMBLY

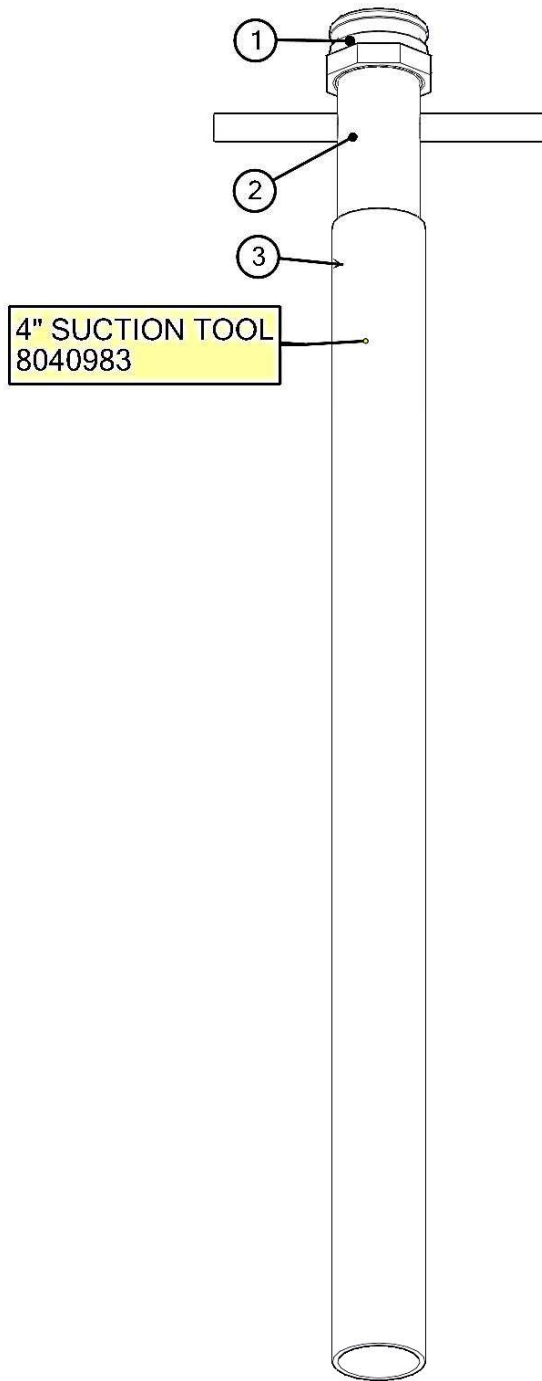
BOM ID	Qty	Description
1	1	8030539-050.00 HOSE PUSHLOCK 12 X 50"LG
2	1	8093852 HOSE ASSY VAC 6-222" ST-ST
3	1	T400450 REDUCER, 16MP-12MJ
4	1	8040186 STRAINER, Y 1" BANJO
5	1	T404060 REDUCER, 16MP-12MP
6	1	T000185 VALVE, BALL 3/4" FNPT BRASS
7	1	T400100 UNION, 12MP-12MJ
8	1	T400101 UNION, 3/4"FJ-3/4"MP
9	1	T403100 REDUCER 20MP-12FP
10	1	8043843 REDUCER, 2"MP - 1 1/4"FP GALV
11	1	T422150 COUPLING, PIPE 2"
12	6	T410115 FITTING, 2" MNPT - 2" BARB STEEL
13	1	8043398-107.50 HOSE VAC CLEAR VINYL 2" - 107.50"LG
14	1	8090896 SWITCH, WATER LEVEL (HORIZ)
15	1	8031219 COUPLING, 2" ALUM MP X FCAMLOCK
16	1	8046528 QUICKFILL ATTACHMENT 205 TANK
17	2	8031216-003.00 SEAL, D-SHAPED 3"LG
18	2	8043805 TANK, WATER 205 GAL SADDLE
19	1	8030879 REEL ONLY WATER HANNAY 3/8 X 75'
20	1	8041830 HOSE ASSY 3/8" X 50' 4000 PSI
21	1	8091356 QUICK DISCONNECT 3/8" M X F
22	1	8046740 BRACKET, BALL VALVE
23	1	8030351 VALVE, BALL 3/8" RATE 3K PSI
24	1	8044147 HOSE ASSY VAC 6-10" ST-ST
25	2	U010017 U-BOLT .250-20
26	1	8043398-014.50 HOSE VAC CLEAR VINYL 2"-14.50"LG
27	6	8044580 CLAMP HOSE T-BOLT 256
28	1	8043398-013.00 HOSE VAC CLEAR VINYL 2"-13"LG
29	1	8045813 VALVE, BALL 1 1/4" M X F BRASS



**PAGE LEFT BLANK**

# VACUUM TOOLS LAYOUT





**TOOLS****SUCTION TOOL**

BOM ID	Qty	Name
1	1	8030844 COUPLING, BANJO 4"
2	1	8040981 VAC TOOL HANDLE ASSEMBLY 4"
3	1	8040982 TUBE, VACUUM PVC 4"

8091356 - QUICK DISCONNECT, MALE 3/8  
MUST ORDER SEPARATELY

ROTARY LANCE  
8096357



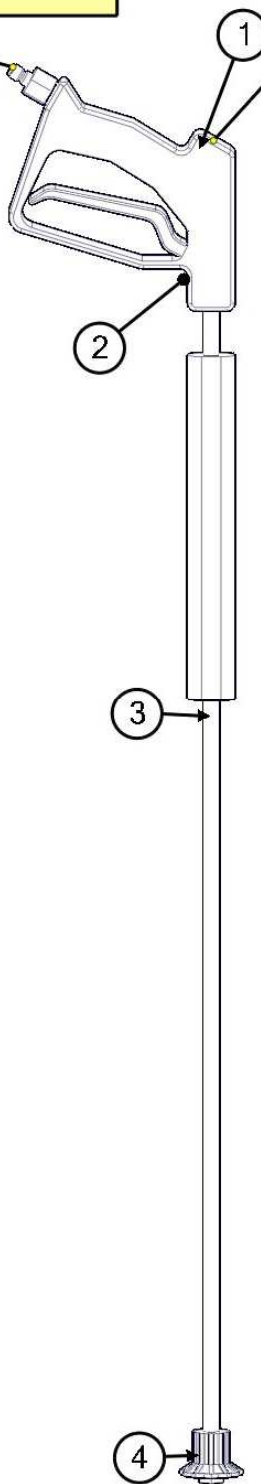
BOM ID	Qty	Name
1	1	8048567 GUN, SPRAY STRAIGHT
2	1	8043765 TUBE, CHROME 1/4NPT 60"LG
3	1	8042691 NOZZLE, ROTATING 080

TOOLS

WASH WAND

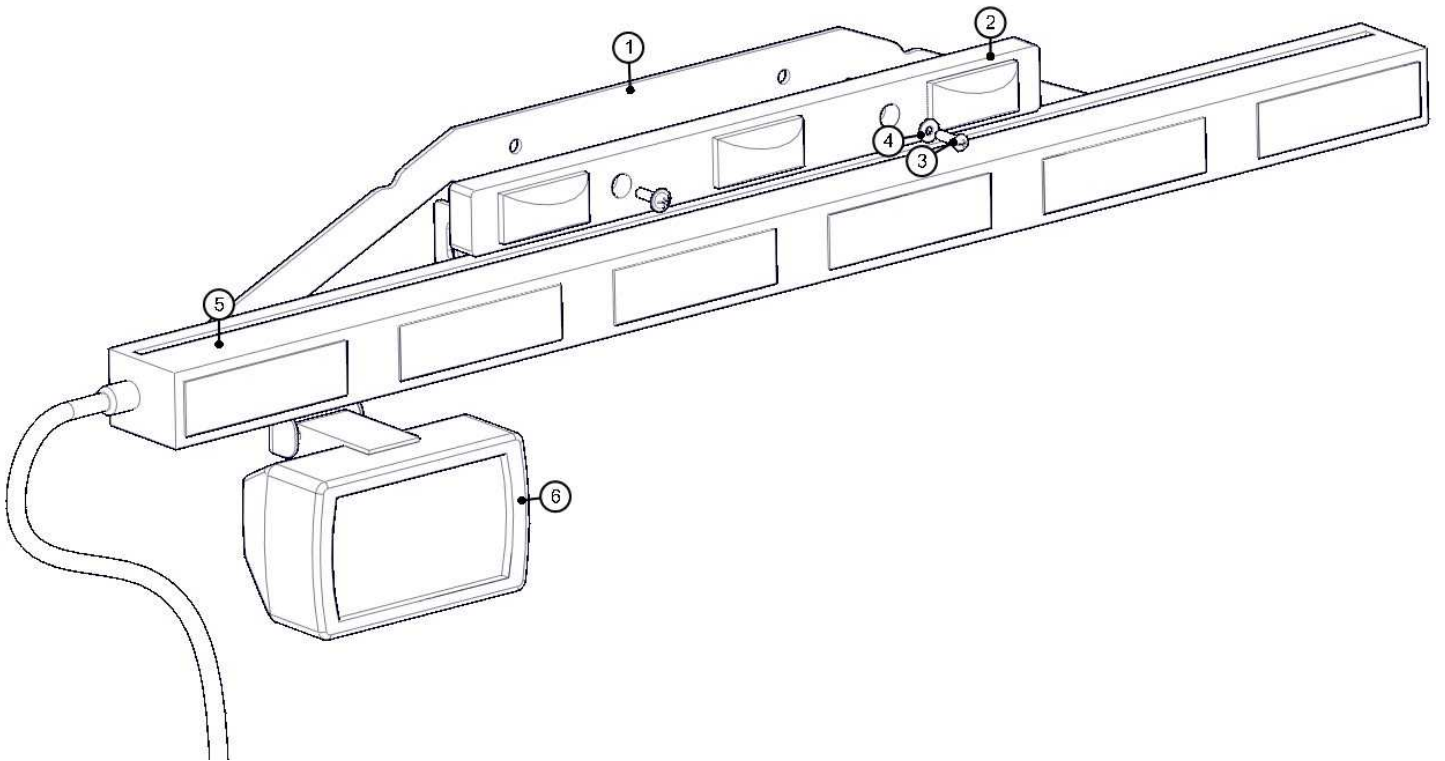
8091356 - QUICK DISCONNECT, MALE 3/8  
MUST ORDER SEPARATELY

WASH WAND  
8030348



BOM ID	Qty	Name
1	1	8030348 WAND COMPLETE
2	1	8030928 TRIGGER ASSEMBLY
3	1	8030847 WAND
4	1	8031303 NOZZLE, #10 40DEG
5	1	8091383 STORAGE, TOOL PVC 2 1/2 X 48"LG

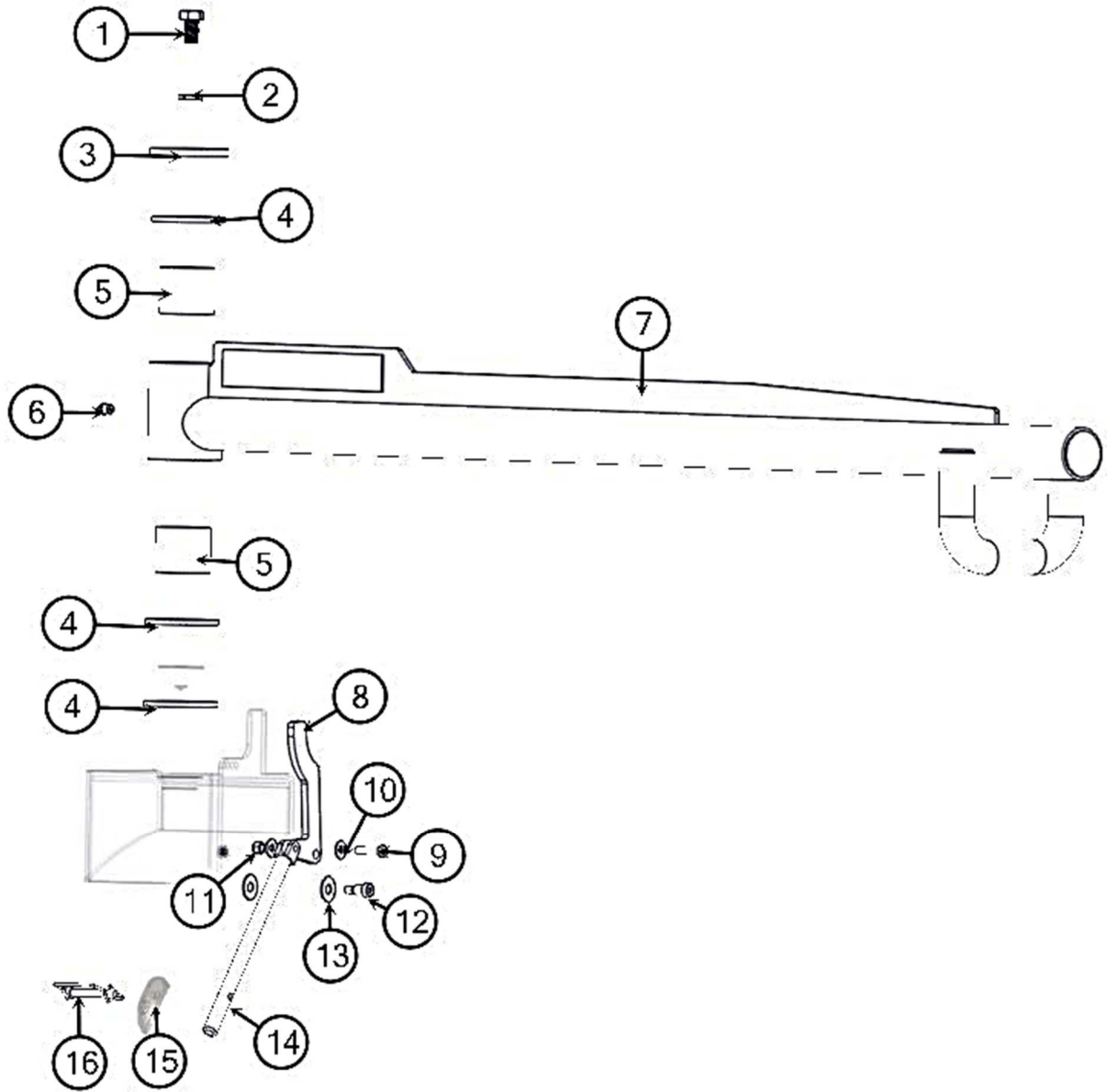




BOM ID	Qty	Description
1	1	8093908 BRACKET, LIGHT DIRECTIONAL (BOOM)
2	1	8041509 LIGHT, TANK CLEARANCE 3 BAR
3	2	U030809 SCREW, PAN HD PHIL 10-24 X .75
4	4	U200001 WASHER, FLAT #10
5	1	8093914 LIGHT, DIRECTIONAL LED NO CONTROL W/PLUG
6	1	8043138 LIGHT, WORK VAC TRAP DEUTSCH

# OPTIONS

# STRONG ARM ASSEMBLY



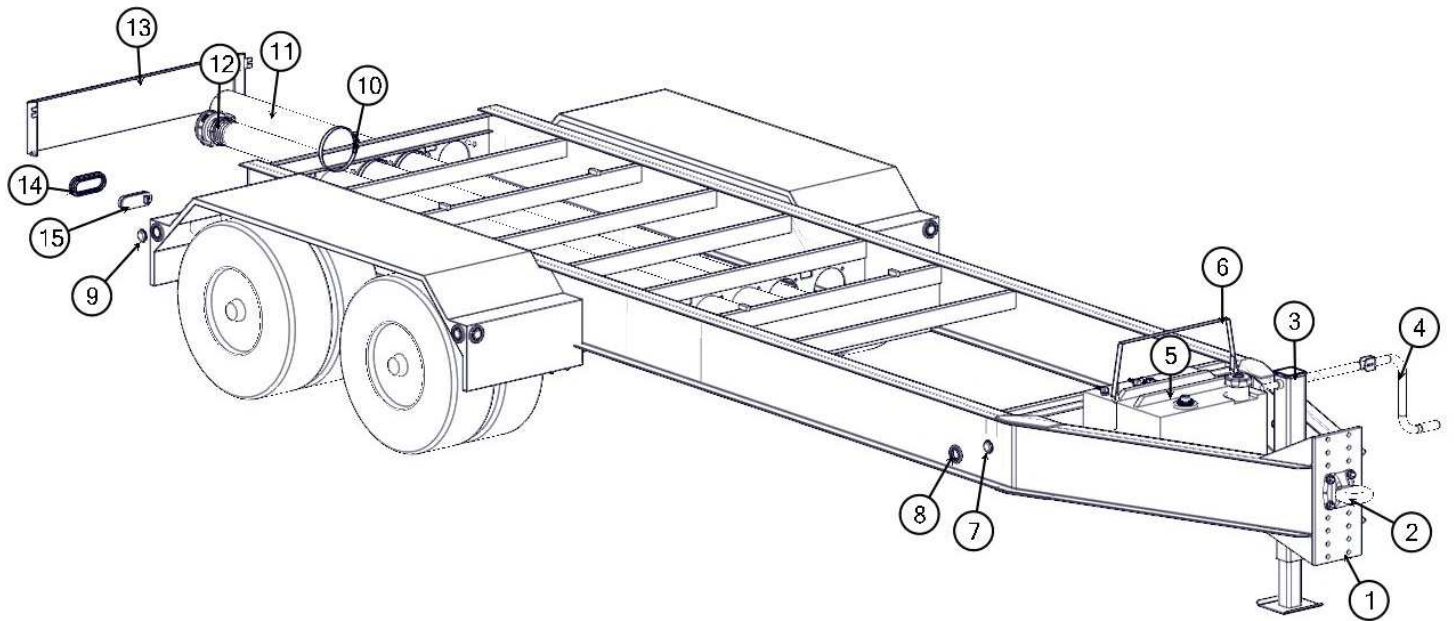
**OPTIONS**

**STRONG ARM ASSEMBLY**

BOM ID	Qty	Description
1	1	U001355 SCREW, HC .750-10 X 1.25 ZP G5
2	1	U210160 WASHER, LOCK .750 ZP
3	1	8047085 TOP CAP
4	3	8047077 WEAR FLANGE, PIVOT ARM MOUNT
5	2	8047076 BEARING, PIVOT TUBE
6	1	T500100 FITTING, GREASE .250 NPT STR
7	1	8091158 WELDMENT, STRONGARM
8	1	8092115 LATCH, LONG HD
9	1	U000460 SCREW, HC .375-16 X 1.50 ZP G5
10	2	U200060 WASHER, FLAT .375 ZP
11	1	U120110 NUT, LOCK .375-16 NY ZP
12	1	8092121 BOLT, SHOULDER .50 X .625 X .375
13	2	U200100 WASHER, FLAT .500 ZP
14	1	8092118 ROD WELD ASSEMBLY
15	1	8092114 MOUNT, LAYOUT
16	1	8041213 SAFETY SNAP PIN

# OPTIONS

# JETTER ASSEMBLY TRAILER



**OPTIONS**

**JETTER ASSEMBLY  
TRAILER**

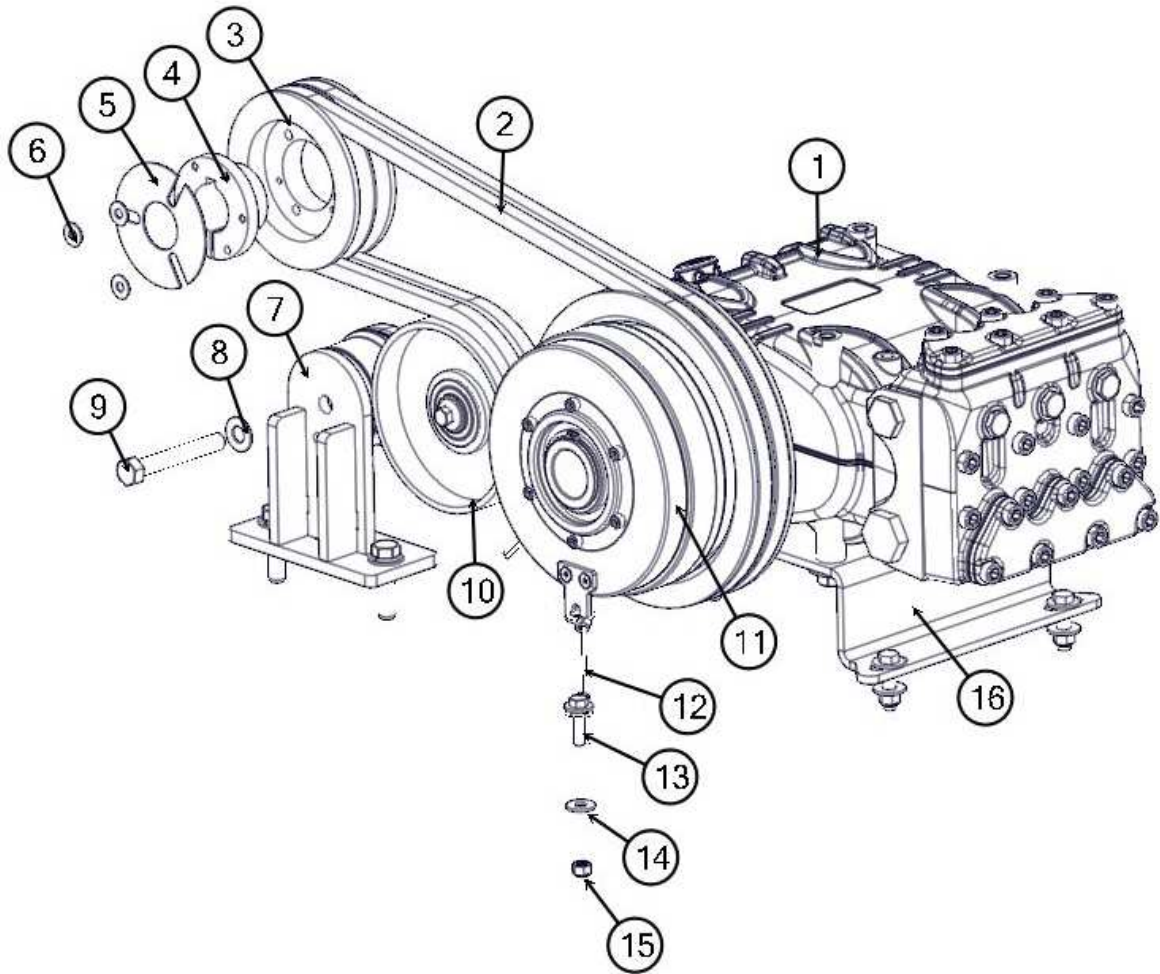
BOM ID	Qty	Description
1	1	8043785 TRAILER, I-BEAM 1226
2	1	8045366 PINTLE EYE (4 BOLT)
3	1	8043548 JACK, MANUAL
4	1	8043984 HANDLE, JACK MANUAL
5	1	8042380 TANK, FUEL PLASTIC 22 GAL DIESEL
6	1	8043359 STRAP, EYEBOLT 1" X 49.5" OAL
7	6	8044000 LIGHT, TRAILER 2" MARKER YELLOW
8	10	8044002 GROMMET, LIGHT 2in RUBBER
9	4	8043999 LIGHT, TRAILER 2" MARKER RED
10	3	8093153 CLAMP HOSE T-BOLT 750
11	3	8041102 HOSE STORAGE 6" X 10'
12	3	8041100 HOSE ASSY VAC 4" X 10' W/CAMS
13	1	8044809 TAILGATE COVER I-BEAM TRAILERS
14	2	8091471 GROMMET, LIGHT OVAL LED
15	2	8091470 LIGHT, TRAILER OVAL LED_RED

**\*NOT SHOWN**

8046100	2	AXLE
8046110	1	BRAKE ASSEMBLY (LH)
8046111	1	BRAKE ASSEMBLY (RH)
8046107	4	MAGNET KIT
8046109	2	ADJUSTER KIT (RH)
8046100-02	2	ADJUSTER KIT (LH)
8046108	2	SHOE KIT (RH)
8046100-03	2	SHOE KIT (LH)
8046098	4	TIRE, ST 215 X 75 R17.5
8045369	4	WHEEL, 17.5 X 6.75

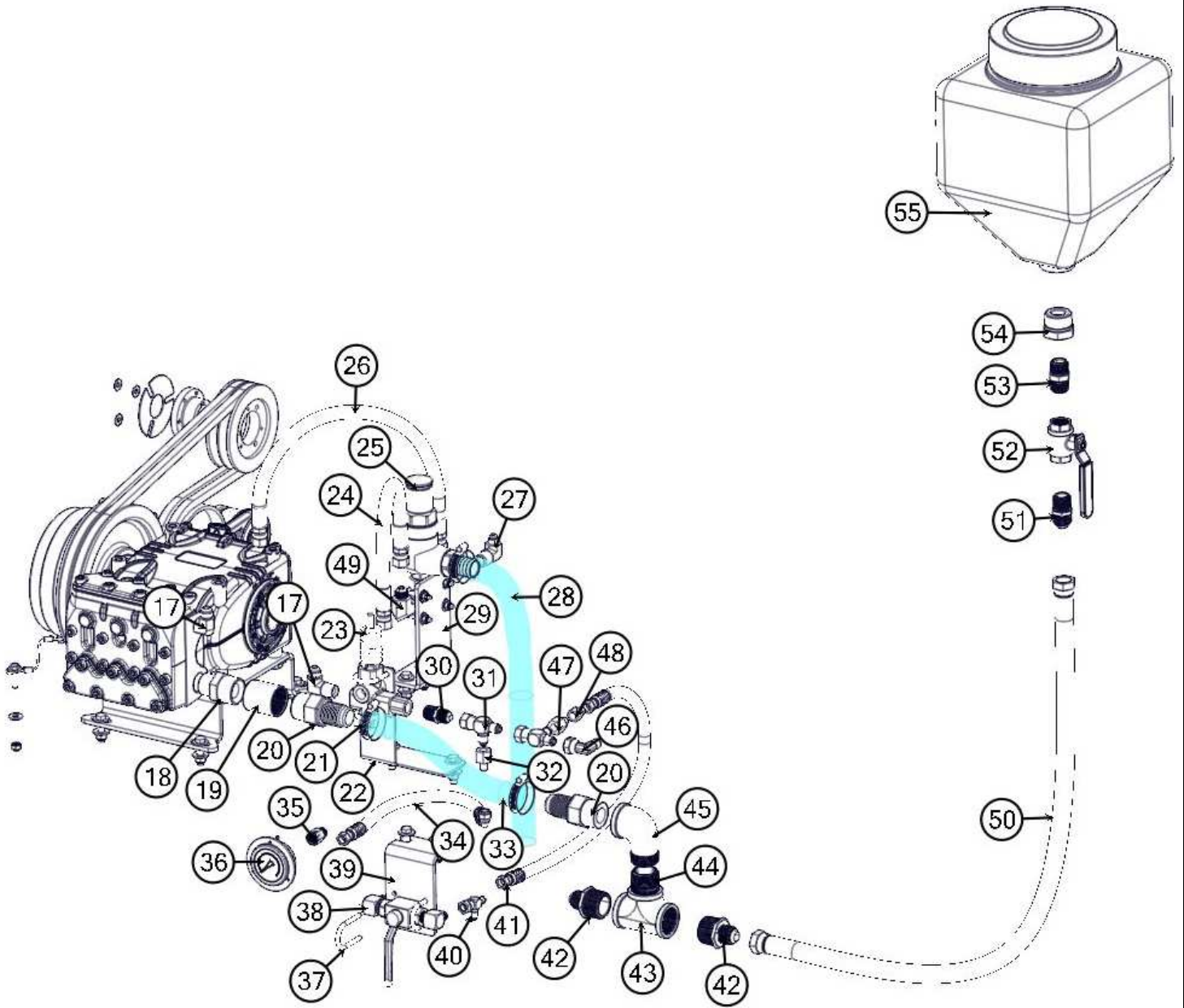
# OPTIONS

# JETTER ASSEMBLY WATER PUMP



# OPTIONS

# JETTER ASSEMBLY WATER PUMP





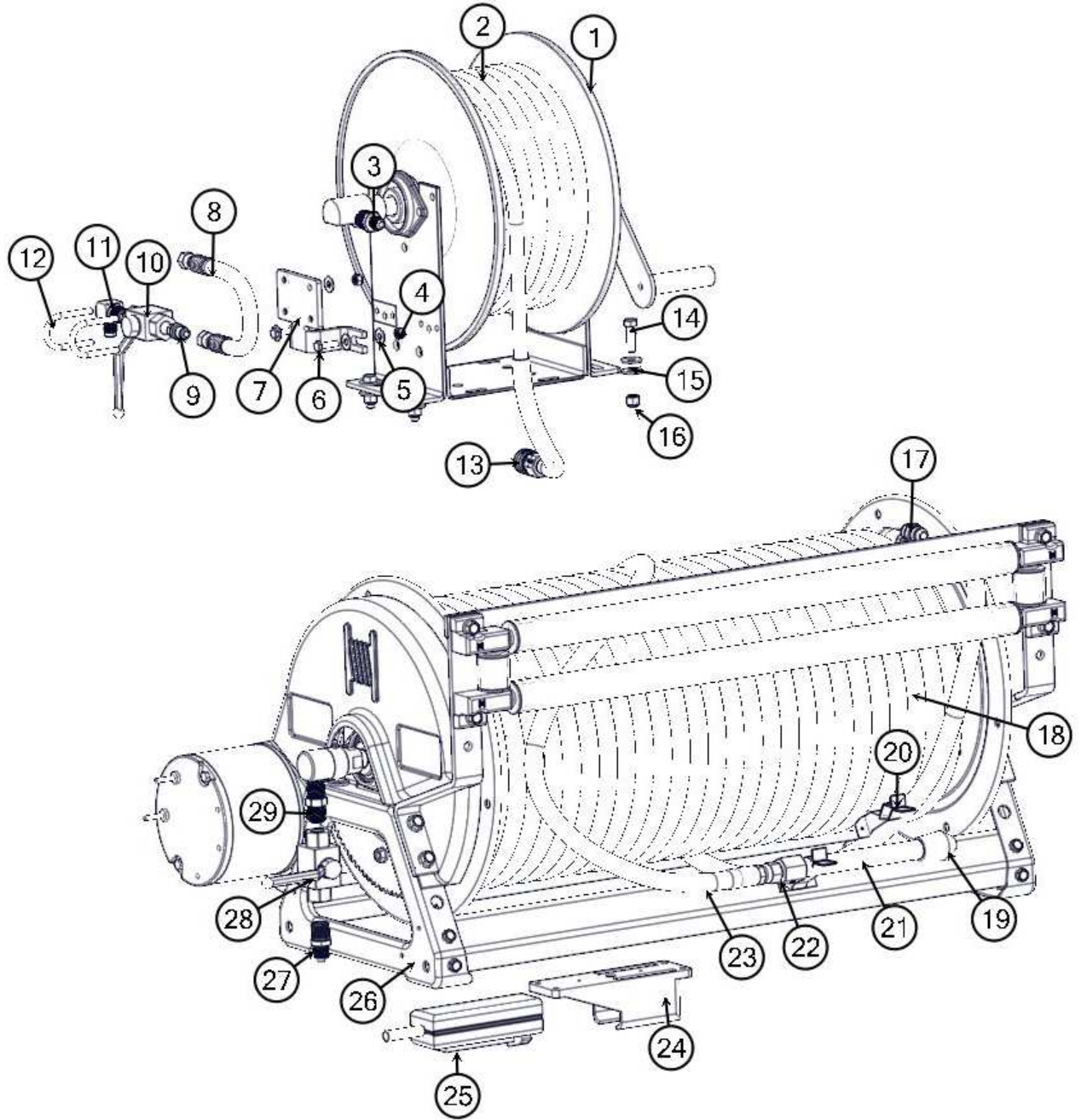
# OPTIONS

# JETTER ASSEMBLY WATER PUMP

BOM ID	Qty	Description
1	1	8042152 PUMP, WATER KF24A
2	2	8049066 BELT, BP55
3	1	8090884 SHEAVE 5.50" DIA QD2/5V5.50
4	1	8040960 BUSHING, SDS 1 7/16"
5	1	8048364 RETAINER FOR 1 1/2" BUSH HOLE
6	3	U200020 WASHER, FLAT .250 ZP
7	1	8095960 WELDMENT, TENSIONER BELT BRACKET
8	2	U200110 WASHER, FLAT .500 ZP SAE HARD
9	1	U001655 SCREW, HC 12MM X 1.75 X 90MM G8.8
10	1	8096205 PULLEY, AUTO TENSIONER FLAT FACED
11	1	8092240 CLUTCH, FLECTRIC 30MM SHAFT 9.75 DR SHAFV
12	1	X110010 CABLE, COATED 3/32"OD X 10"LG
13	1	U000220 SCREW, HC .312-18 X 1.25 ZP G5
14	2	U200040 WASHER, FLAT .312 ZP
15	1	U110040 NUT, HEX .312-18 NY ZP G2
16	1	8096495 MOUNT, WATER PUMP JETTER
17	2	T401140 ELBOW, 90 8MP-8MJ
18	1	T400518 REDUCER, 1"WP - 1 1/4"MP
19	1	T422080 COUPLING, PIPE 1 1/4"FP
20	2	8041312 FITTING, 1 1/4"MP - 1 1/4"HB
21	3	8040677 CLAMP, HOSE 1 1/4 - 2 1/8 IID
22	1	8093220 MOUNT, UNLOADER ENGINE PLATE
23	1	8030341 VALVE, UNLOADER GREEN SPRING
24	1	8096554 HOSE ASSY VAC 8 - 18" ST-ST
25	1	8040550 VALVE, SAFETY RELIEF KF24A
26	1	8096231 HOSE ASSY VAC 8 - 22"LG ST-ST
27	1	T401135 ELBOW, 90 8MP-6MJ
28	1	8090497 HOSE VAC CLEAR VINYL 1 1/4 - 20"LG
29	1	8096520 BRACKET, RELIEF VALVE
30	1	T400040 UNION, 8MP-8MJ
31	2	T402155 TEE, 8FJ-8MJ-8MJ
32	1	T400705 REDUCER, 8FJ-5MJ
33	1	8096553 HOSE VAC CLEAR VINYL 1 1/4 - 13"LG
34	1	8093442 HOSE ASSY VAC 6 - 15" SI-90
35	1	8031126 REDUCER, 4FP-6MJ
36	1	8030372 GAUGE, 5000 PSI 2.5" LF CBM
37	6	U010017 U-BOLT .250-20
38	2	T401102 ELBOW, 90 6MP-6MJ
39	1	8040670 BRACKET, BALL VALVE
40	1	T402153 TEE, 8FJ-6MJ-6MJ
41	1	8093417 HOSE ASSY VAC 6 - 26"LG ST-ST
42	2	T403017 REDUCER 20MP-12MJ
43	1	8041310 TEE, 1.25 FP ALL LEGS GALVANIZE
44	1	T421040 NIPPLE, CLOSE 1 1/4"MP BLK
45	1	8041311 ELBOW, 90 1.25 STREET EL GALVAN
46	1	T401525 ELBOW, 90 8FJ-8MJ
47	1	T400705 REDUCER, 8FJ-6MJ
48	1	8042267 ORIFICE 6MJ-6FJ .094"
49	1	T401160 ELBOW, 90 12MP-8MJ
50	1	8030539-041.00 HOSE, PUSHLOCK 12 X 41"LG
51	1	T400100 UNION, 12MP-12MJ
52	1	T000185 VALVE, BALL 3/4" FNPT BRASS
53	1	T400800 UNION 12MP-12MP
54	1	T403100 REDUCER 20MP-12MP
55	1	8030394 TANK, ANTIFREEZE 4 GALL W/ CAP

# OPTIONS

# JETTER ASSEMBLY HOSE REEL



# OPTIONS

# JETTER ASSEMBLY HOSE REEL

BOM ID	Qty	Description
1	1	8030879 REEL ONLY WATER HANNAY 3/8 X 75'
2	1	8041830 HOSE ASSY 3/8" X 50' 4000PSI
3	1	T400029 REDUCER, 8MP - 6MJ
4	2	U120000 NUT, LOCK NY .250-20 ZP G2
5	8	U200020 WASHER, FLAT .250 ZP
6	2	U000060 SCREW, HC .250-20 X 1.00 ZP G5
7	1	8046740 BALL VALVE BRACKET
8	1	8046703 HOSE ASSY VAC 6-12" ST-ST
9	1	T400037 UNION, 6MB - 6MJ
10	1	8030351 VALVE, BALL 3/8" 3K PSI
11	1	T401102 ELBOW, 90 6MP - 6MJ
12	2	U010017 U-BOLT, .250-20
13	1	8091355 QUICK DISCONNECT 3/8" FEMALE
14	4	U000440 SCREW, HC .375-16 X 1.25 ZP G5
15	8	U200060 WASHER, FLAT .375 ZP
16	4	U110060 NUT, ST .375-16 ZP G2
17	1	T400320 UNION, 8MJ - 8MJ
18	1	8043213 HOSE, JETTER 1/2" X 485"LG 3K PSI
19	1	8040546 JETTER NOZZLE 1/2"NPT SET FOR 12 GPM 3K PSI
20	2	8040899 CLIP, TOOL HOLDER
21	1	8032013 NIPPLE, STAINLESS 1/2" MP X 8"LG
22	1	T400505 UNION, 8MJ - 8FP
23	1	8043212 HOSE, JETTER 1/2" X 15' 3K PSI
24	1	8030840 HOLSTER, FOR FENNER UNIT
25	1	8030859 HANDSET, HYD. POWER UNIT
26	1	8047371 REEL ONLY JETTER 1/2" X 500'
27	1	T400040 UNION, 8MP - 8MJ
28	1	8031197 VALVE, BALL 1/2" 3K PSI
29	1	T404020 UNION, 8MP - 8MP

**PAGE LEFT BLANK**

# WARRANTY RETURN GOODS POLICY

## LIMITED WARRANTY

The Manufacturer warrants its products to be free from defects in material and workmanship for a period of twelve months from the date of shipment from the factory. The Manufacturer shall not be responsible for any damage resulting to or caused by its products by reason of installation, improper storage, unauthorized service, alteration of the products, neglect or abuse, or use of the product in a manner inconsistent with its design. The warranty does not extend to any component parts not manufactured by Manufacturer; however, Manufacturer's warranty herein shall not limit any warranties made by manufacturers of component parts which extend to Buyer.

Claims for defects in material and workmanship shall be made in writing to Manufacturer within ten days of discovery of defect. Manufacturer may either send a service representative or have the product returned to its factory at Buyer's expense for inspection. Upon notification of defect, Manufacturer will issue a return goods authorization number to Buyer. The return goods authorization number must accompany the product returned. If judged by the Manufacturer to be defective in material or workmanship, the product will be replaced or repaired at the option of the Manufacturer, free from all charges except authorized transportation. Buyer shall be responsible for all maintenance services consisting of lubrication and cleaning of equipment, replacing expandable parts, making minor adjustments, and performing operating checks, all in accordance with procedures outlined in Manufacturer's maintenance literature.

THE FOREGOING WARRANTY IS IN LIEU OF ALL OTHER WARRANTIES AND NO REPRESENTATIONS, GUARANTEES, OR WARRANTIES, EXPRESS OR IMPLIED, (INCLUDING BUT NOT LIMITED TO A WARRANTY OF MERCHANTABILITY OR FITNESS FOR A PARTICULAR PURPOSE), ARE MADE BY THE MANUFACTURER IN CONNECTION WITH THE MANUFACTURE OR SALE OF ITS PRODUCTS. NO EMPLOYEE, DISTRIBUTOR, OR REPRESENTATIVE IS AUTHORIZED TO CHANGE THIS WARRANTY ON BEHALF OF MANUFACTURER.

THE REMEDIES OF BUYER SET FORTH HEREIN ARE EXCLUSIVE AND ARE IN LIEU OF ALL OTHER REMEDIES. THE LIABILITY OF MANUFACTURER WHETHER IN CONTRACT, TORT, UNDER ANY WARRANTY, OR

OTHERWISE SHALL NOT EXTEND BEYOND ITS OBLIGATION TO REPAIR OR REPLACE, AT ITS OPTION ANY PRODUCT OR PART FOUND BY MANUFACTURER TO BE DEFECTIVE IN MATERIAL OR WORKMANSHIP. MANUFACTURER SHALL NOT BE LIABLE FOR COST OF INSTALLATION AND/OR REMOVAL OR BE RESPONSIBLE FOR DIRECT, INDIRECT, SPECIAL OR CONSEQUENTIAL DAMAGES OF ANY NATURE.

## GENERAL RETURNS OF MERCHANDISE

1. All returns must be pre-authorized
  - A. Please call our parts department for an RGA number
  - B. Please include RGA number on the outside of box
  - C. Include any required paper work or special instructions
  - D. Items returned without an RGA number will not be accepted
2. All returns are subject to a 20% restock charge.
3. Special items are non-returnable
  - A. Non-stock parts
  - B. Custom parts
  - C. If you are unsure about a parts status when ordering, ask your McLaughlin representative if the item fits on of the above conditions.
4. Items must be returned within thirty days of original order date.
5. Items not returned within 30 days from the date of RGA is issued will not be accepted.
6. The item(s) must be in new condition. Used item(s) are not returnable.





FOR SCHEMATICS SEE: [www.mclaughlinunderground](http://www.mclaughlinunderground)







