



Providing Solutions Since 1921

2006 Perimeter Road. Greenville, SC 29605

Toll Free: 800/435-9340 – Phone: 864/277-5870

Fax: 864/235-9661 – Website address: www.mclaughlinunderground

Email address: mmole@mightymole.com

PARTS MANUAL

EC075-800 BOOM

E850625

SERIAL NUMBER – 7HWB180V5JG000104 TO PRESENT

8/1/2018

2018 by McLaughlin Group, Inc.

All rights reserved. No part of this manual may be reproduced in any form, or by any means without prior written permission of McLaughlin Group, Inc.

Table of Contents

| | |
|------------------------------------|----|
| DECAL LAYOUT | 5 |
| TRAILER | 14 |
| SKID ASSEMBLY | 16 |
| SPOIL TANK ASSEMBLY..... | 18 |
| HYDRAULIC ARM ASSEMBLY..... | 20 |
| FILTRATION ASSEMBLY | 22 |
| HYDRAULIC PUMP ASSEMBLY | 24 |
| HYDRAULIC PUMP HOSE ASSEMBLY | 26 |
| BASE MANIFOLD ASSEMBLY | 28 |
| ENCLOSURE ASSEMBLY..... | 30 |
| ENCLOSURE FOAM ASSEMBLY | 32 |
| CONTROL PANEL ASSEMBLY | 34 |
| ELECTRICAL ASSEMBLY..... | 36 |
| ENGINE ASSEMBLY..... | 38 |
| BLOWER ASSEMBLY | 40 |
| WATER PUMP ASSEMBLY..... | 44 |
| WATER TANK 205GAL ASSEMBLY..... | 48 |
| VAC TOOLS..... | 50 |
| SUCTION TOOL ASSEMBLY..... | 52 |
| ROTARY LANCE ASSEMBLY..... | 54 |
| WASH WAND ASSEMBLY..... | 56 |
| ARROWBOARD ASSEMBLY..... | 58 |
| BOOM ASSEMBLY | 60 |
| JETTER ASSEMBLY | 80 |
| WARRANTY | 86 |

PAGE LEFT BLANK



⚠ DANGER

ELECTROCUTION HAZARD
 Death or serious injury will result if boom approaches or touches overhead electrical power lines.
 Keep boom away from overhead utilities.
 Use caution when operating boom.

J200403

J200403

INSTRUCTIONS

GREASE POINTS

| Qty | Placement | Qty | Placement |
|-----|------------------------------|-----|---------------------------------------|
| 2 | TANK PIVOT | 2-4 | TANK LIFT CYLINDERS (Depend on Model) |
| 2 | 4-WAY VALVE | 1 | EACH AXLE HUB (Non Oil Bath Hubs) |
| 2 | MANUAL JACK | 1 | VACUUM/PRESSURE SELECTOR PLATE |
| 2 | ENGINE TAIL SHAFT | 1 | BOOM PACKING GLAND |
| 1 | SWIVEL on HOSE REEL | 1 | BOOM ROTATING BEARING |
| 2 | BOOM RAISE/LOWER CYLINDER | 2 | BOOM SLEW DRIVE (HYD. ROTATION) |
| 2 | BOOM EXTEND/RETRACT CYLINDER | 1 | STRONG ARM PIVOT |
| 1 | BOOM GATE VALVE CYLINDER | | |

J200810

J200810

INSTRUCTIONS

WATER SYSTEM FREEZE PROTECTION

1. Drain water tanks and close water supply valve.
2. Start machine and open hose reel ball valve.
3. Turn the water pump ON. Open the ball valve on the antifreeze tank.
4. Hold the antifreeze switch in the UP position.
5. When antifreeze is visible from the hose reel port, release the antifreeze switch.
6. Close the hose reel ball valve.
7. Hold the antifreeze switch in the UP position until antifreeze is visible in the water tank.
8. Turn the engine OFF. Open the water supply valve and leave the antifreeze tank ball valve open.
9. Before the next startup, close the antifreeze tank ball valve.

J200483

J200483

INSTRUCTIONS

START PROCEDURE

1. Fill water tank
2. Open ball valve - prime water pump
3. Open gate valve on inlet port
4. Pre-heat engine - (cold start) 15 seconds

J200484

J200484

⚠ WARNING

ENTANGLEMENT HAZARD
 Rotating pulleys and belts could cause serious injury.
 Do not operate without guards in place.

J200445

J200445

⚠ WARNING

Moving parts.
 Death or serious injury may result.
 Stop engine before servicing.

J200425

J200425



⚠ WARNING

Electricity, or Gas
Explosion Can Kill

Locate Utilities
Call 811

No. J000210

J200210

⚠ WARNING

Read manual.
Death or serious injury may result.
Read and understand
all safety and operating instructions
BEFORE operating any equipment.

J200420

J200420

⚠ WARNING

Flammable fumes.
Fumes may explode or catch fire.
Keep away from sparks and open flame.

Battery acid.
Battery acid can burn skin and eyes.
Protect face, hands and body when servicing.

8049882



CHECK AND CLEAN DAILY

J200023



| ⚠ WARNING | |
|---|---|
|  | <p>HIGH PRESSURE WATER Pressure wand can cause serious injury. Keep hands and feet away. Wear protective clothing.</p> |
| Reorder No. J200450 | |

J200450

| ⚠ WARNING | |
|---|--|
|  | <p>Pinch point. Serious injury may result. Keep hands clear when closing door or lowering tank.</p> |
| J200455 | |

J200455

| ⚠ DANGER |  |
|--|--|
| <p>ELECTROCUTION HAZARD Death or serious injury will result if boom approaches or touches overhead electrical power lines. Keep boom away from overhead utilities. Use caution when operating boom.</p> | |
| J200403 | |

J200403

| ⚠ WARNING | |
|--|--|
|  | <p>CRUSHING WEIGHT DEATH OR SERIOUS INJURY COULD RESULT EMPTY TANK BEFORE SERVICING ALWAYS INSTALL SAFETY BAR WHEN WORKING ON RAISED TANK</p> |
| J200458 | |

J200458



| ⚠ WARNING |
|---|
|  |
| <p>Flammable liquid. Fuel and fumes can explode or catch fire. Turn off engine BEFORE fuelling. Wipe up spilled fuel immediately.</p> |

J200440

⚠ DANGER



**EXPLOSION HAZARD!
CONTENTS UNDER PRESSURE!**
Relieve tank pressure before opening.
Failure to comply will result in death or serious injury.

J200423 rev.1

J200423



⚠ DANGER



SUFFOCATION HAZARD.
Vacuum hoses will cause death or serious injury.
Keep hoses and tools away from face and body.

J200415

⚠ DANGER



Crushing weight.
Spoil and door will cause death or serious injury.
Unlock door only under vacuum.
Stay away from door when dumping.

J200410

⚠ WARNING



FIRE OR EXPLOSION POSSIBLE.
Do not vacuum flammable or combustible substances.

J200413

J200415

DECAL LAYOUT



**CHECK AND CLEAN
WHEN DUMPING**
J200022

J200022



J200455



J200458



J200411



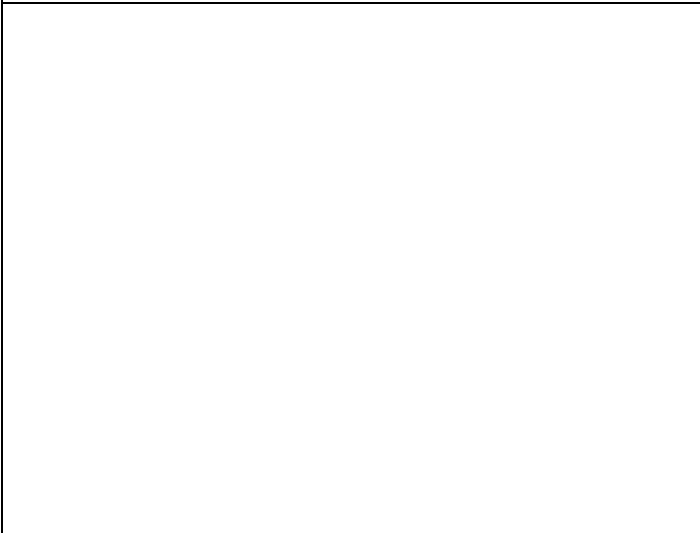
| | |
|---|--|
| <p>⚠ DANGER</p> | |
| <p>ELECTROCUTION HAZARD Death or serious injury will result if boom approaches or touches overhead electrical power lines. Keep boom away from overhead utilities. Use caution when operating boom.</p> | |

J200403



| |
|--|
| <p>⚠ WARNING</p> |
| |
| <p>ENTANGLEMENT HAZARD Rotating pulleys and belts could cause serious injury. Do not operate without guards in place.</p> |

J200445

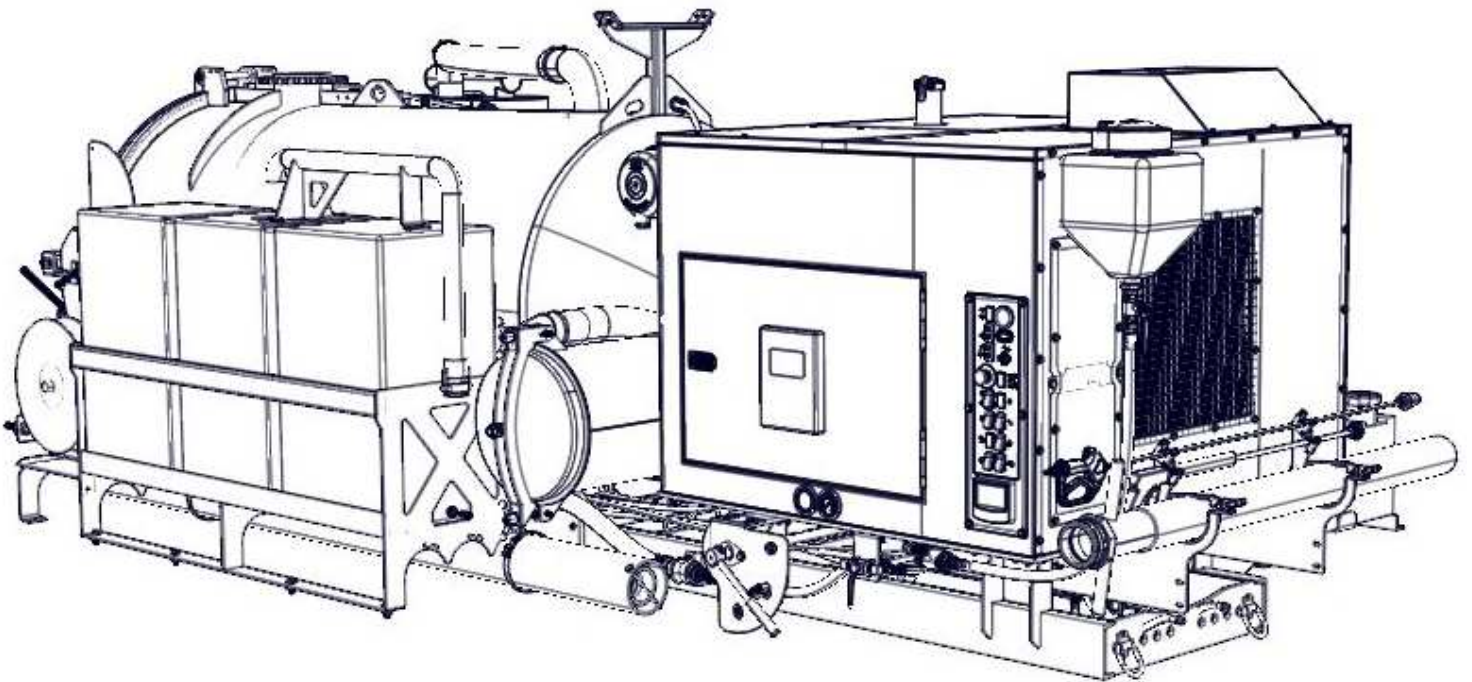


| |
|---|
| <p>⚠ WARNING</p> |
| |
| <p>Moving parts. Death or serious injury may result. Stop engine before servicing.</p> |

J200425

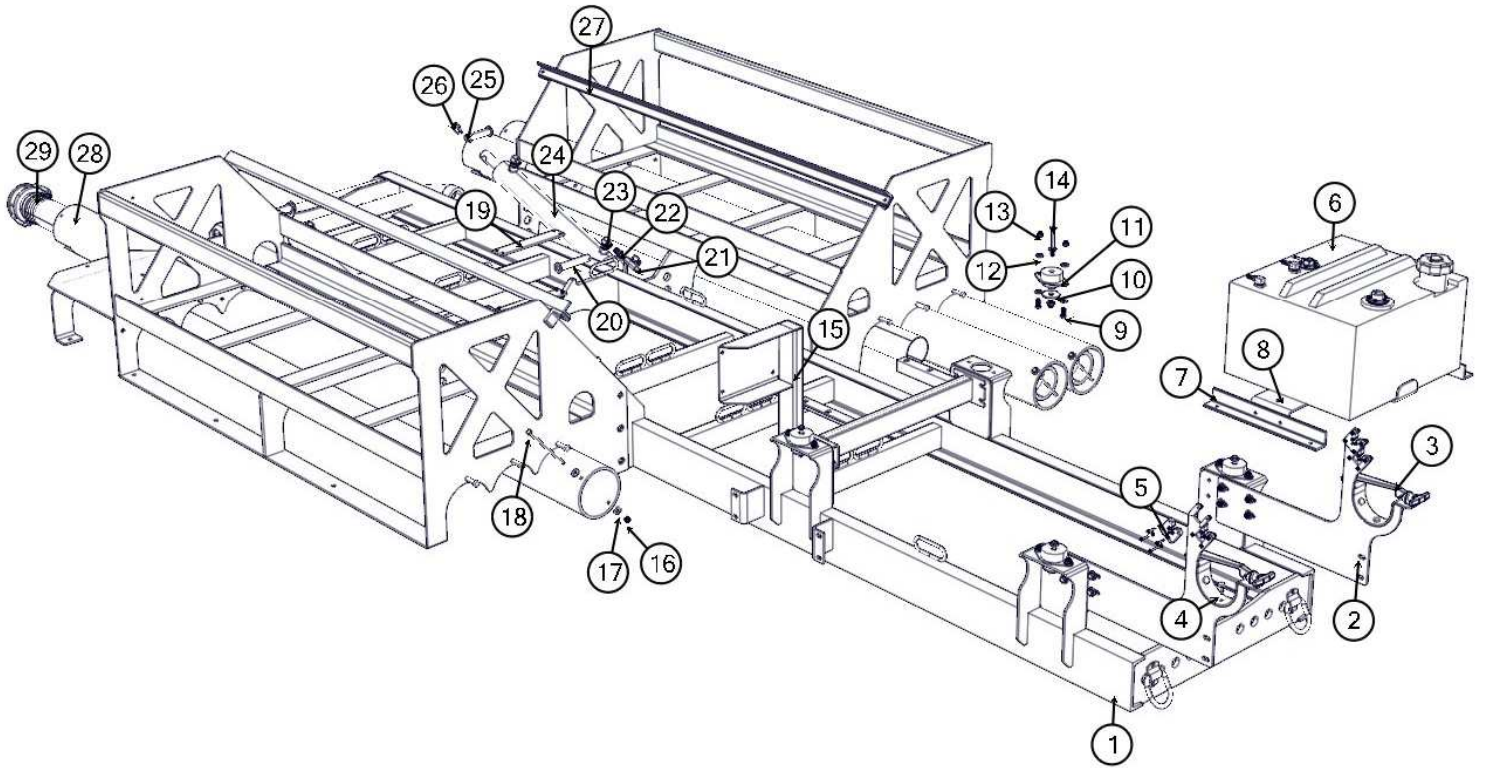
PAGE LEFT BLANK

ECO75-800 BOOM COMPLETE



PAGE LEFT BLANK

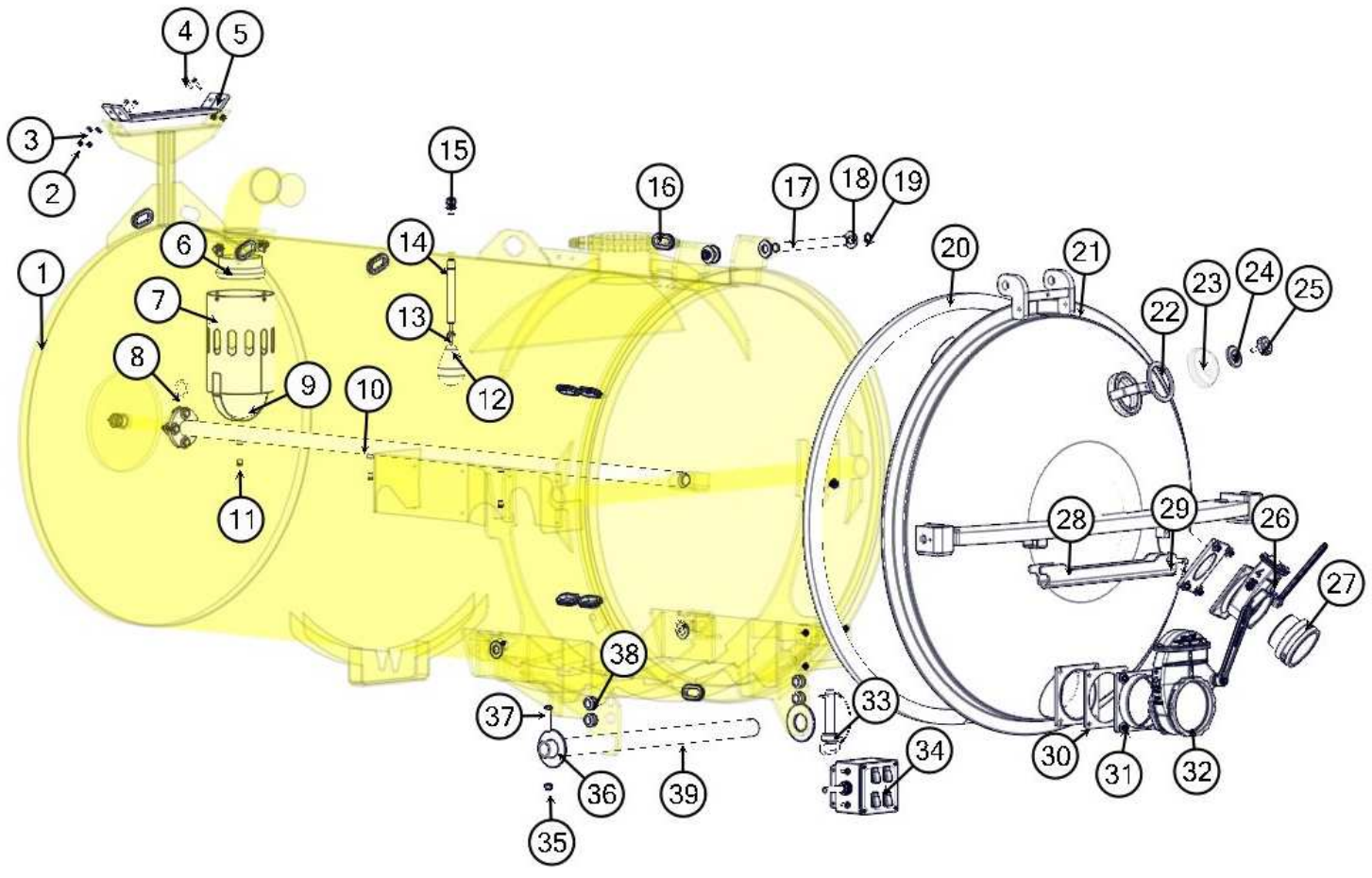
SKID ASSEMBLY



SKID ASSEMBLY

| BOM ID | Qty | Description |
|--------|-----|--|
| 1 | 1 | 8046784 WELDMENT, SKID 800HD 205'S |
| 2 | 2 | 8095924 WELDMENT, TOOL STORAGE BRACKET |
| 3 | 2 | 8095189 LATCH, DRAW RUBBER |
| 4 | 6 | 8095188 BUMPER, PUSH IN |
| 5 | 4 | 8094246 GRIPPER, WAND/LANCE |
| 6 | 1 | 8042380 TANK, FUEL PLASTIC 22 GAL DIESEL |
| 7 | 2 | 8043665 FUEL TANK MTG FOOT |
| 8 | 1 | 8045507 BRACKET, FUEL TANK VSK |
| 9 | 8 | U000420 SCREW, HC .375-16 X 1.00 ZP G5 |
| 10 | 4 | 8030851 WASHER, SNUBBING |
| 11 | 4 | 8030904 ISOLATOR VAC PP |
| 12 | 18 | U200060 WASHER, FLAT .375 ZP |
| 13 | 12 | U120110 NUT, LOCK .375-16 NY ZP |
| 14 | 4 | U000580 SCREW, HC .375-16 X 3.50 ZP G5 |
| 15 | 1 | 8048384 BRACKET, HYD. VERTICAL 4 GAL |
| 16 | 3 | U120110 NUT, LOCK .375-16 NY ZP |
| 17 | 6 | U200060 WASHER, FLAT .375 ZP |
| 18 | 3 | U000626 SCREW, HC .375-16 X 7.50" |
| 19 | 1 | 8045787 STRIP, PLASTIC TANK FOOT |
| 20 | 2 | 8092495 WELDMENT, PIN 1" DIA X 5 1/2" |
| 21 | 2 | 8048286 VALVE CHECK VELOCITY 6.0 GPM |
| 22 | 2 | T400036 UNION, 6MB-6FJ |
| 23 | 4 | T401270 ELBOW, 90 8MB-6MJ |
| 24 | 2 | 8030359 CYLINDER, HYD 3" X 20" |
| 25 | 2 | 8094691 PIN, CYLINDER BOSS 4.375"LG |
| 26 | 4 | U340050 PIN LINCH 3/16 X 1 9/16 ZP |
| 27 | 2 | 8044390 WATER TANK ANGLE HOLDER |
| 28 | 3 | 8041102 HOSE STORAGE 6" X 10' |
| 29 | 3 | 8041100 HOSE ASSY VAC 4" X 10' W/CAMS |

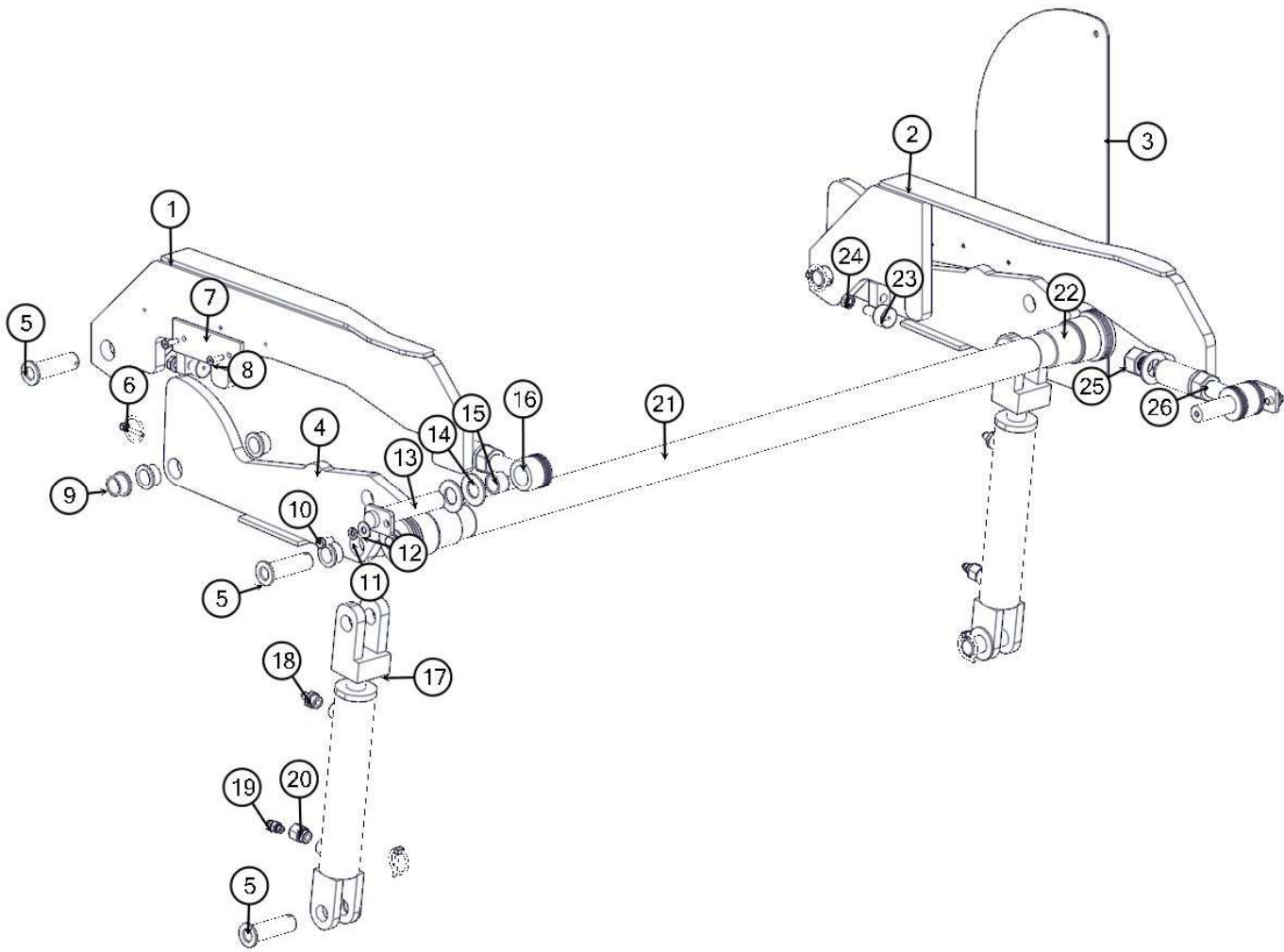
SPOIL TANK ASSEMBLY



SPOIL TANK ASSEMBLY

| BOM ID | Qty | Description |
|--------|-----|--|
| 1 | 1 | 8046426 WELDMENT, TANK 800 W/BOOM |
| 2 | 4 | U120000 NUT, LOCK NY .250-20 ZP G2 |
| 3 | 4 | U200020 WASHER, FLAT .250 ZP |
| 4 | 4 | U030018 SCREW, SFH .250-20 X 1.50 Z |
| 5 | 2 | 8047711 STRIP, RUBBER BOOM FOOT |
| 6 | 1 | 8043571 SEAT 4" RUBBER FOR FLOAT BALL |
| 7 | 1 | 8043700 BALL FLOAT SCREEN WELDMENT 4" |
| 8 | 1 | 8030446 O'RING #328 BUNA-N |
| 9 | 1 | 8043570 BALL STAINLESS FLOAT 6" |
| 10 | 1 | 8046172 TANK ROD 800 WELDMENT |
| 11 | 3 | 8030369 NOZZLE, TANK CLEANOUT .20" X 40DEG X 1/4MP |
| 12 | 1 | 8030531 SWITCH, FLUID LEVEL |
| 13 | 1 | 8041291 BUSHING, RUBBER 7/8"HEAD X 21/32"BODY |
| 14 | 1 | 8040769 TUBE, TANK FULL SWITCH 8" |
| 15 | 1 | X000113 STRAIN RELIEF 1/2NPT .250-.375 |
| 16 | 8 | 8042812 GROMMET, 2"ID X 3"OD X 1/4"WOG |
| 17 | 1 | 8040058 ROD, DOOR HINGE |
| 18 | 6 | U200170 WASHER, FLAT 1.00 |
| 19 | 2 | U500020 SNAP RING EXT 1" SHAFT ZP |
| 20 | 1 | 8041766 SEAL, DOOR SQ 154" BONDED |
| 21 | 1 | 8047771 WELDMENT, DOOR HYD 800 |
| 22 | 1 | 8032007 GASKET, 4" FLAT ALUM COUPLER |
| 23 | 1 | 8031048 SIGHTGLASS, 5" GLASS ONLY |
| 24 | 1 | 8031047 PLATE, SIGHT GLASS |
| 25 | 1 | 8031046 SCREW, HANDWHEEL SIGHT GLASS |
| 26 | 1 | 8046215 VALVE, 4" GATE BRASS LEVER FLANGED |
| 27 | 1 | 8046445 CAMLOCK, 4" AL FCAM X MNPT |
| 28 | 1 | 8041212 TANK SAFETY BRACE |
| 29 | 1 | 8041213 PIN, SAFETY SNAP |
| 30 | 1 | 8046191 GASKET, DOOR INLET/OUTLET |
| 31 | 1 | 8046199 GATE VALVE TANK FLANGE 6" |
| 32 | 1 | 8030849 VALVE, 6" GATE BRASS LEVER TYPE |
| 33 | 1 | 8041626 PIN HITCH 1" X 4 1/2" |
| 34 | 1 | 8094207 CONTROL BOX, BOOM REMOTE OVERRIDE |
| 35 | 2 | U160018 NUT, LOCK .500-13 NY ZP |
| 36 | 2 | U200180 WASHER, FLAT 2.125 ID X 4.50 OD |
| 37 | 2 | U000920 SCREW, HC .500-13 X 2.75 ZP G5 |
| 38 | 4 | 8041686 GROMMET, 1"ID X 1 1/2"OD X 1/2"WOG |
| 39 | 1 | 8042648 TANK PIVOT TUBE |

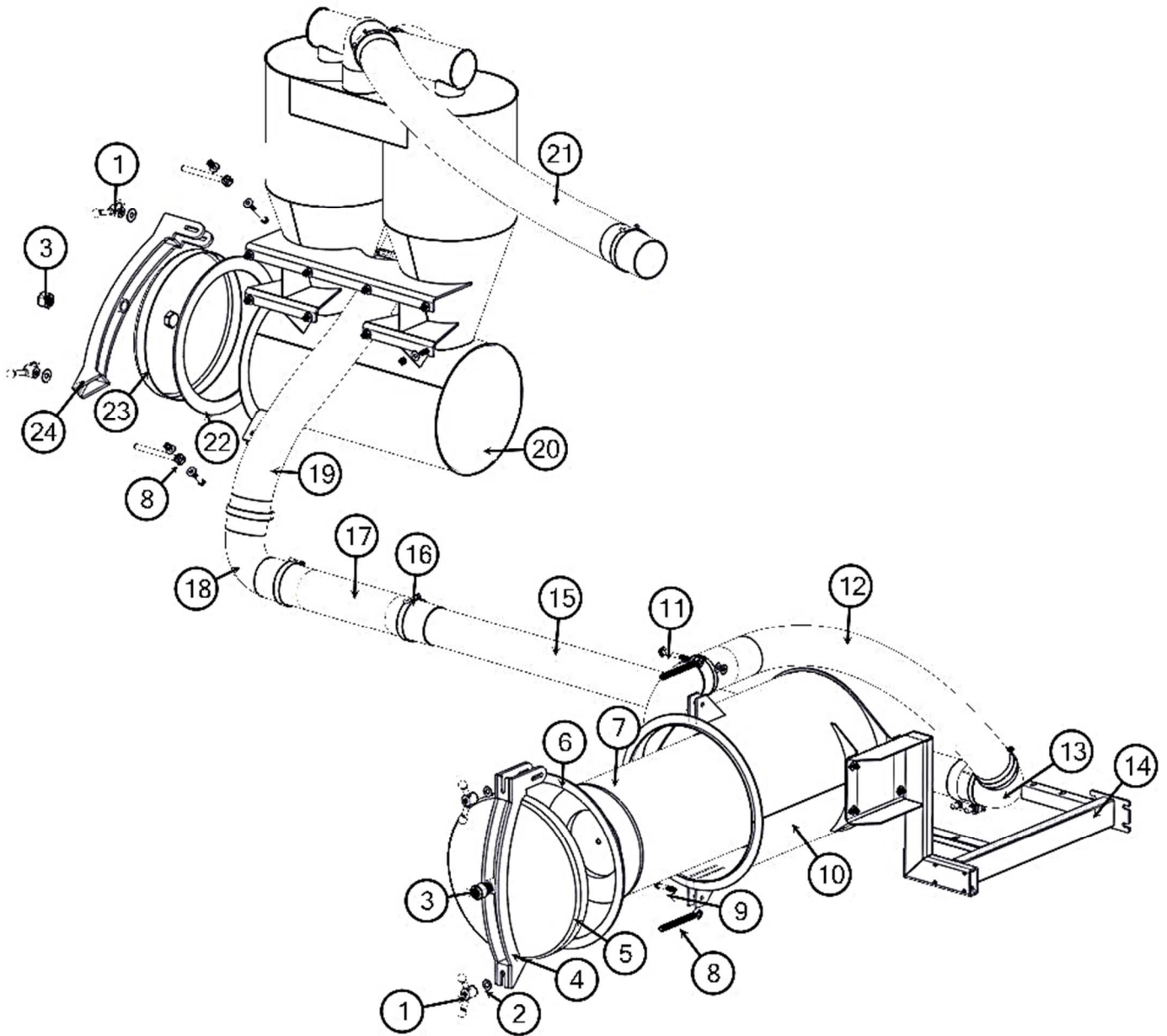
HYD ARMS ASSEMBLY



HYD ARMS ASSEMBLY

| BOM ID | Qty | Description |
|--------|-----|--|
| 1 | 1 | 8049765 WELDMENT, LINKAGE ARM LONG ROAD SIDE |
| 2 | 1 | 8049763 WELDMENT, LINKAGE ARM LONG CURB SIDE |
| 3 | 1 | 8041635 HYD ARM GUARD |
| 4 | 2 | 8049766 WELDMENT, LINKAGE ARM SHORT |
| 5 | 6 | 8042489 CYLINDER PIN |
| 6 | 6 | U340050 PIN LINCH 3/16 X 1 9/16 ZP |
| 7 | 2 | 8049376 STRIP, PLASTIC 1/4" X 2" X 6" |
| 8 | 4 | U030017 SCREW, SFH .250-20 X 1.00 ZP |
| 9 | 8 | 8041883 BUSHING BRONZE 1.25 X 1.00 X .63 FLANGED |
| 10 | 2 | U000400 SCREW, HC .375-16 X .75 ZP G5 |
| 11 | 2 | U210060 WASHER, LOCK .375 ZP |
| 12 | 2 | U200060 WASHER, FLAT .375 ZP |
| 13 | 2 | 8043844 CYLINDER PIN FLANGED 1" X 5 1/2" |
| 14 | 14 | U200170 WASHER, FLAT 1.00 |
| 15 | 2 | 8041524 BUSHING BRONZE 1.25 X 1.00 X .75 PL |
| 16 | 2 | 8043131 ROD END 1"-8 X 7 1/2" |
| 17 | 2 | 8041327 CYLINDER, HYD DOOR 2" X 8" |
| 18 | 2 | T400611 REDUCER, 8MB-4MJ |
| 19 | 2 | 8090251 FITTING, ORIFICE .020 4MB-4MJ |
| 20 | 2 | T400350 REDUCER, 8MB-4FB |
| 21 | 1 | 8090906 LINKAGE CROSS TUBE ASSEMBLY |
| 22 | 2 | 8041602 BUSHING BRONZE 2.25 X 2.00 X 2.0 FLANGED |
| 23 | 2 | W000020 BEARING, CAMROL 1.25" CR 1 1/4 |
| 24 | 2 | U160015 NUT, JAM .500-20 |
| 25 | 2 | U120060 NUT, LOCK 1.00-8 NY ZP G2 |
| 26 | 2 | U100240 NUT, HEX 1.00-8 ZP G2 |

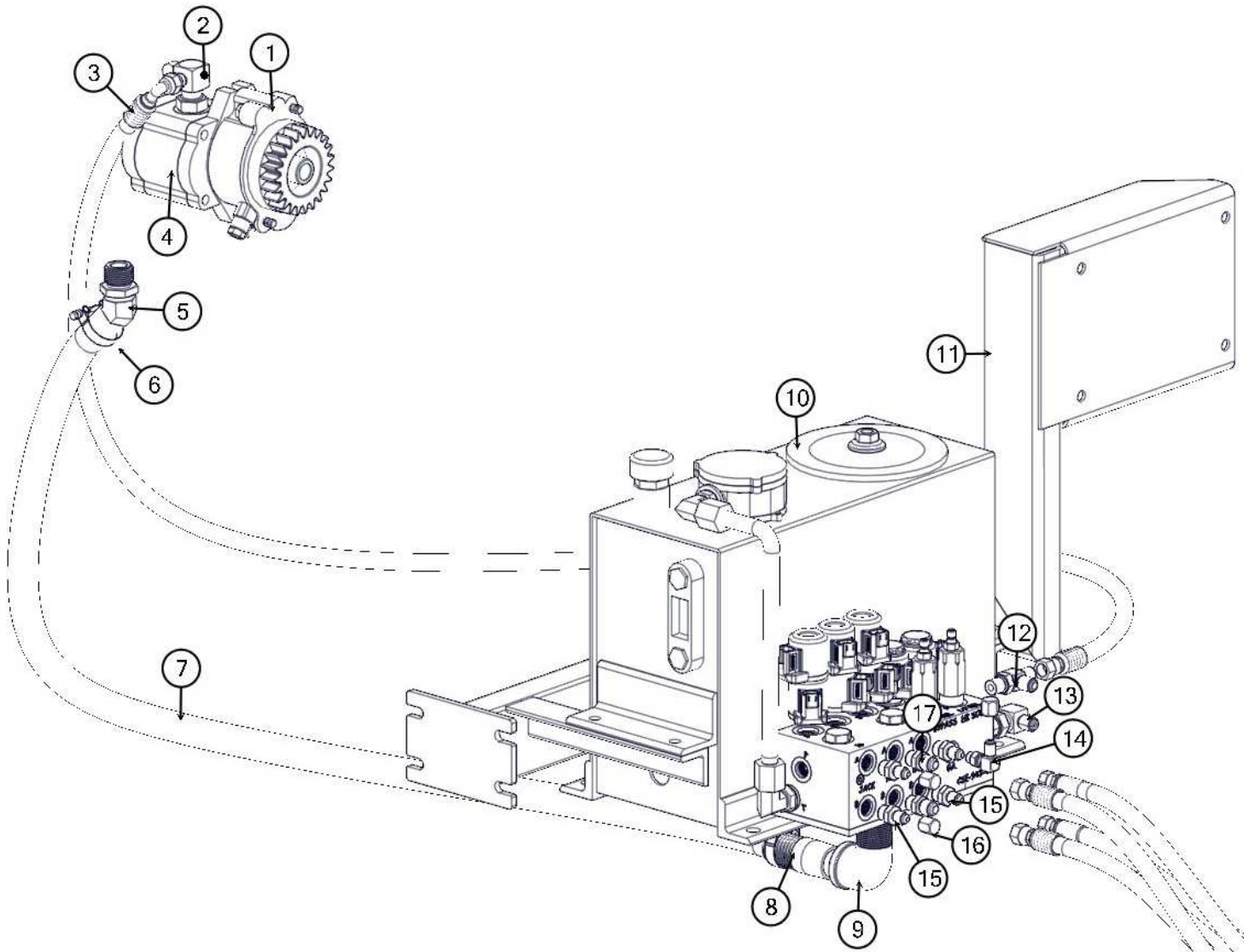
FILTRATION ASSEMBLY



FILTRATION ASSEMBLY

| BOM ID | Qty | Description |
|--------|-----|---|
| 1 | 4 | 8041594 HANDLE, WING .500-13 |
| 2 | 2 | U200110 WASHER, FLAT .500 ZP SAE HARD |
| 3 | 2 | U120060 NUT, LOCK 1.00-8 NY ZP G2 |
| 4 | 1 | 8041554 LATCH, AIR FILTER DOME REV FLOW |
| 5 | 1 | 8041387 DOME, AIR FILTER REV FLOW |
| 6 | 1 | 8041613 GASKET, REV FLOW AIR FILTER HD |
| 7 | 1 | 8031293 FILTER, AIR WASHABLE 1025 CFM |
| 8 | 4 | 8041593 BOLT, EYE 1/2-13 X 6 |
| 9 | 2 | U000520 SCREW, HC .375-16 X 2-25 ZP G5 |
| 10 | 1 | 8046338 FILTER HSG 1025 RF FLANGED |
| 11 | 2 | U000580 SCREW, HC -375-16X3-50 ZP G5 |
| 12 | 1 | 8041597-057.00 HOSE AG SUCTION 4" X 57"LG |
| 13 | 1 | 8040929 ELBOW, 90 4" EXHAUST 4"ID - 4"OD |
| 14 | 1 | 8048384 BRACKET, HYD VERTICAL 4 GAL |
| 15 | 1 | 8048721 TUBE, 4" X 80"LG BLACK |
| 16 | 4 | 8042606 CLAMP HOSE T-BOLT 450 |
| 17 | 1 | 8041597-023.00 HOSE AG SUCTION 4" X 23"LG |
| 18 | 1 | 8041814 ELBOW, 90 4" EXHAUST 4" RAD OD-OD |
| 19 | 1 | 8041597-038.00 HOSE AG SUCTION 4" X 38"LG |
| 20 | 1 | 8046458 CYCLONE HOUSING 1025 RF |
| 21 | 1 | 8046769 HOSE AG SUCTION 4" X 42"LG |
| 22 | 1 | 8041612 GASKET, REV FLOW CYCLONE |
| 23 | 1 | 8041402 DOME, CYCLONE REV FLOW |
| 24 | 1 | 8041552 LATCH, CYCLONE DOME REV FLOW |

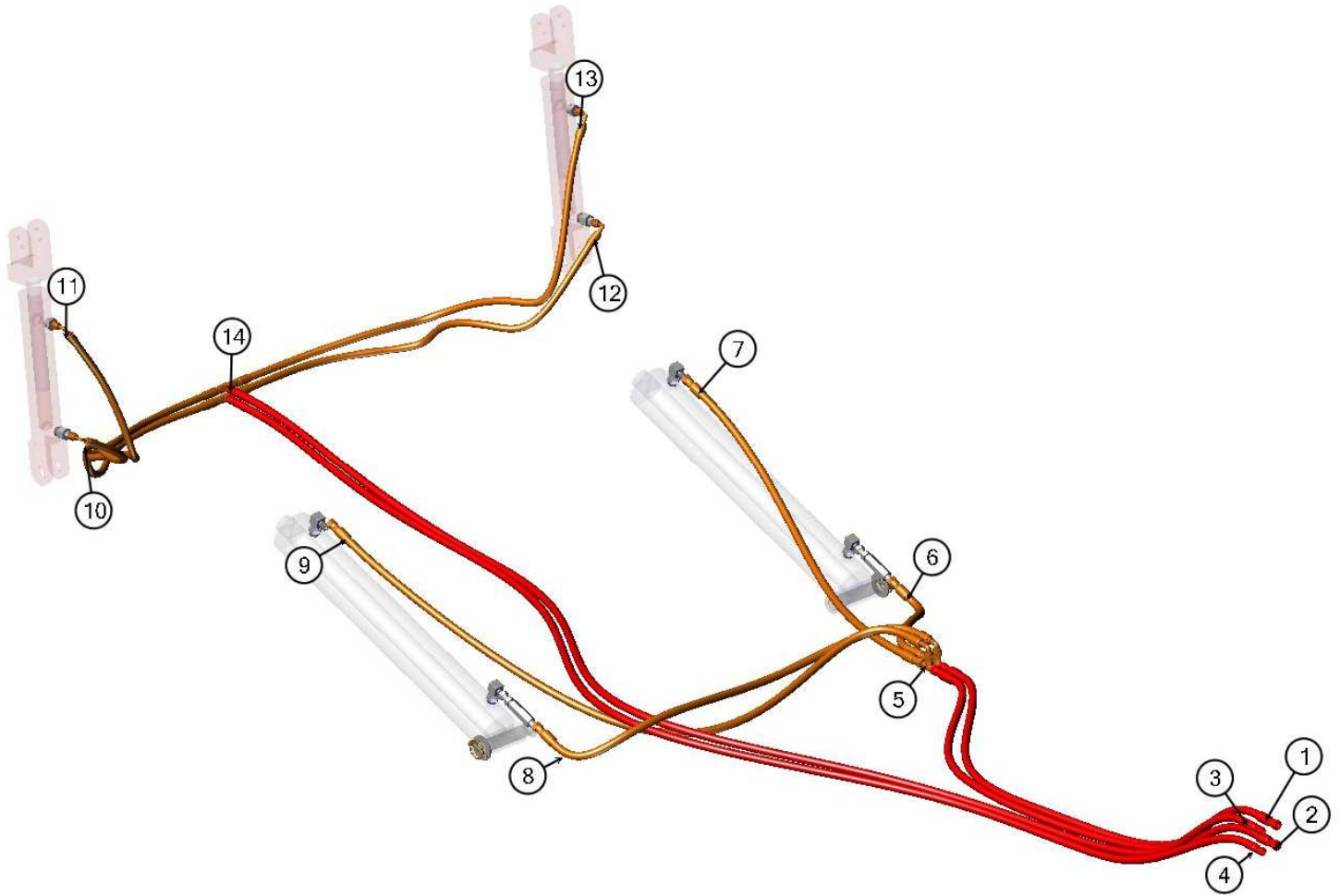
HYDRAULIC PUMP ASSEMBLY



HYDRAULIC PUMP ASSEMBLY

| BOM ID | Qty | Description |
|--------|-----|-------------------------------------|
| 1 | 1 | 8093970-09 DEUTZ 75HP PTO-C |
| 2 | 1 | T401290 ELBOW, 90 10MB(ADJ) - 6MJ |
| 3 | 1 | 8093199 HOSE ASSY VAC 6-66" ST-90 |
| 4 | 1 | 8047333 PUMP, HYD BOOM (CROSS 2) |
| 5 | 1 | 8043964 ELBOW, 45 1"HB-3/4"MB |
| 6 | 2 | 8044011 CLAMP HOSE T-BOLT 150 |
| 7 | 1 | 8096030 HOSE VAC PUSH 1"-48"LG |
| 8 | 1 | 8043963 UNION, 1"MP-1" HOSE BARB |
| 9 | 1 | T420080 ELL, STREET 16MP-16FP 90DEG |
| 10 | 1 | 8048690 HYD BOOM BASE PACK KIT |
| 11 | 1 | 8048384 BRACKET, HYD VERTICAL 4 GAL |
| 12 | 1 | T402148 TEE, 6MB-6MJ-6MJ |
| 13 | 1 | T401250 ELBOW, 90 6MB-6MJ |
| 14 | 1 | T401230 ELBOW, 90 4MB-4MJ |
| 15 | 4 | T400550 REDUCER, 6MB-4MJ |
| 16 | 3 | T405200 CAP, 1/4" FEM. JIC HEX HEAD |
| 17 | 2 | T400037 UNION, 6MB-6MJ |

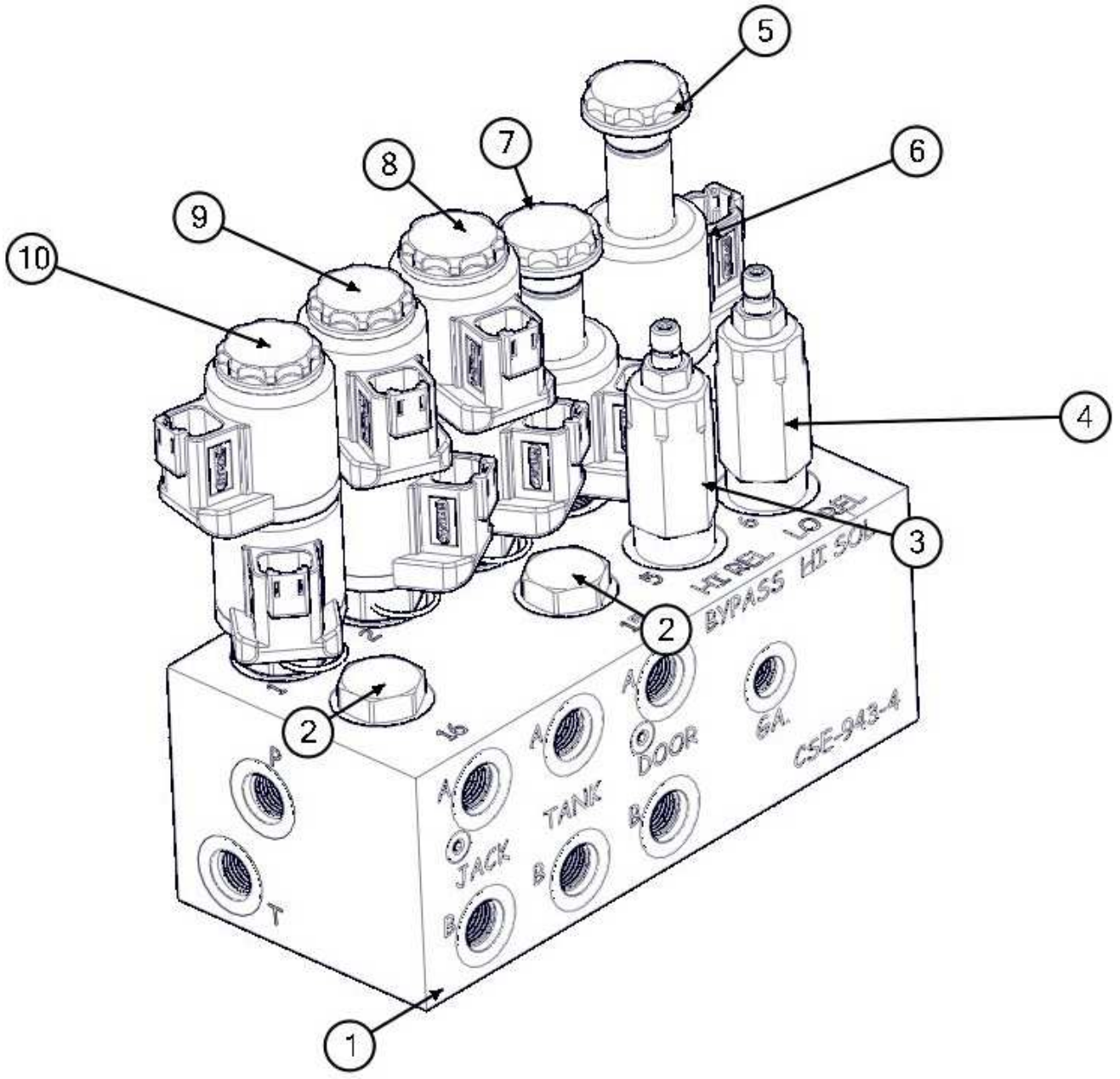
HYDRAULIC PUMP HOSE ASSEMBLY



HYDRAULIC PUMP HOSE ASSEMBLY

| BOM ID | Qty | Description |
|--------|-----|---|
| 1 | 1 | 8042925 HOSE ASSY VAC 6-48" ST-ST (TANK PRESSURE) |
| 2 | 1 | 8042925 HOSE ASSY VAC 6-48" ST-ST (TANK RETURN) |
| 3 | 1 | 8096064 HOSE ASSY VAC 4-120" ST-ST (DOOR PRESSURE) |
| 4 | 1 | 8096064 HOSE ASSY VAC 4-120" ST-ST (DOOR RETURN) |
| 5 | 2 | T402154 TEE, 6MJ-6MJ-6MJ |
| 6 | 1 | 8093414 HOSE ASSY VAC 6-17" ST-ST (TANK PRESSURE) STREET SIDE |
| 7 | 1 | 8094181 HOSE ASSY VAC 6-38" ST-ST (TANK RETURN) STREET SIDE |
| 8 | 1 | 8090242 HOSE ASSY VAC 6-39" ST-90 (TANK PRESSURE) CURB SIDE |
| 9 | 1 | 8093200 HOSE ASSY VAC 6-59" ST-90 (TANK RETURN) CURB SIDE |
| 10 | 1 | 8047714 HOSE ASSY VAC 4-38" ST-90 (DOOR PRESSURE) CURB SIDE |
| 11 | 1 | 8044988 HOSE ASSY VAC 4-44" ST-90 (DOOR RETURN) CURB SIDE |
| 12 | 1 | 8047714 HOSE ASSY VAC 4-38" ST-90 (DOOR PRESSURE) STREET SIDE |
| 13 | 1 | 8044988 HOSE ASSY VAC 4-44" ST-90 (DOOR RETURN) STREET SIDE |
| 14 | 2 | T402035 TEE, 4MJ-4MJ-4MJ |

BASE MANIFOLD ASSEMBLY



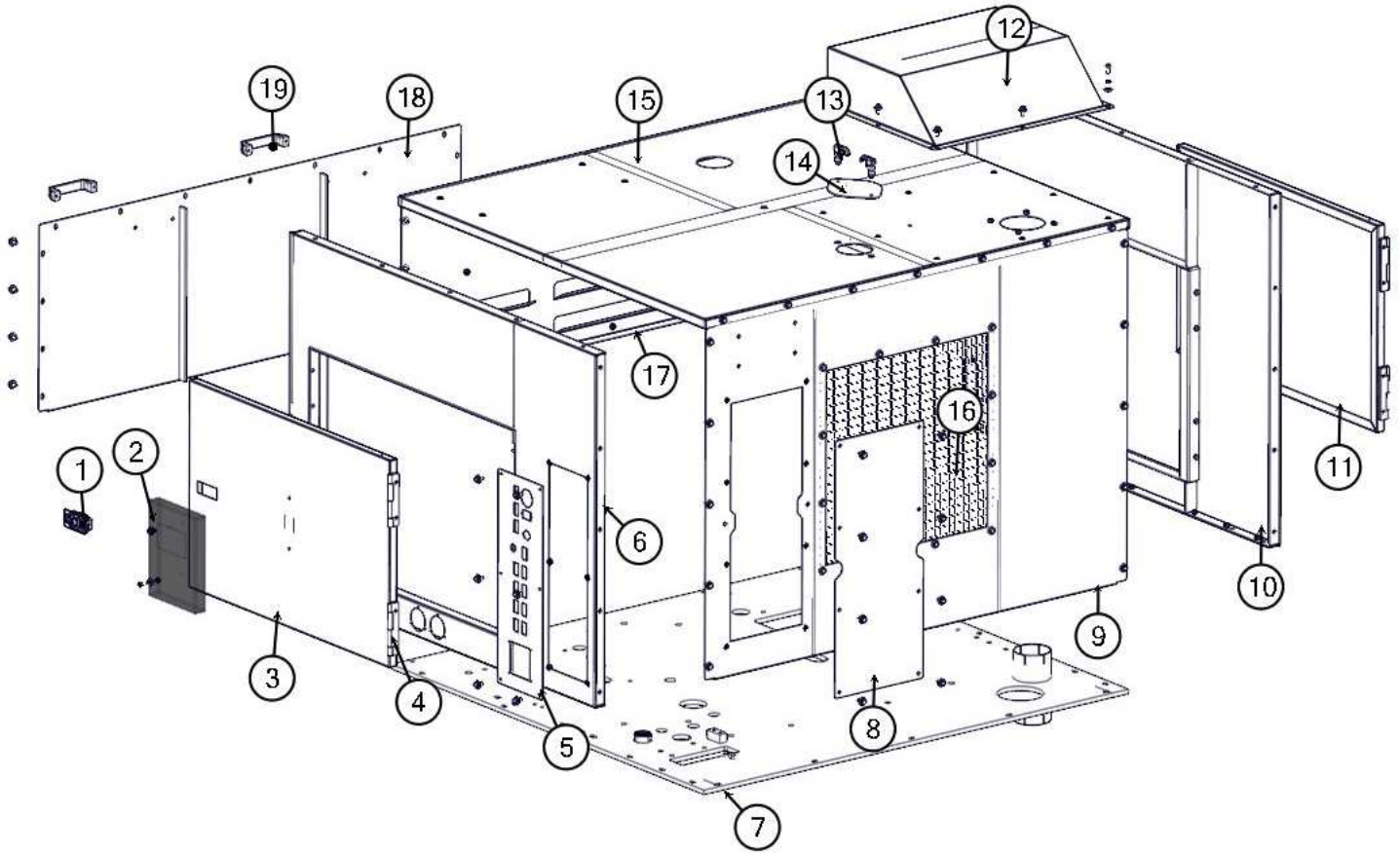
BASE MANIFOLD ASSEMBLY

| BOM ID | Qty | Name |
|--------|-----|---|
| 1 | 1 | 8048690-03 MANIFOLD BLOCK (ONLY) |
| 2 | 2 | 8048690-08 VALVE, CARTRIDGE DBL PO CHECK |
| 3 | 1 | 8047330-12 VALVE, CARTRIDGE RELIEF HI-PRESSURE |
| 4 | 1 | 8047330-13 VALVE, CARTRIDGE RELIEF LOW-PRESSURE |
| 5 | 1 | 8047330-08 VALVE, CARTRIDGE 2 POS-N.O. |
| 6 | 8 | 8047330-11 COIL, 12V |
| 7 | 1 | 8047330-08 VALVE, CARTRIDGE 2 POS-N.O. |
| 8 | 1 | 8048690-09 VALVE, CARTRIDGE 3 POS - OPEN CTR |
| 9 | 1 | 8047330-09 VALVE, CARTRIDGE 3 POS - BLOCKED CTR |
| 10 | 1 | 8048690-09 VALVE, CARTRIDGE 3 POS - OPEN CTR |

MACHINES WITH NO HYDRAULIC JACK:

PORT 1 - 8047330-10 PLUG, CAVITY
PORT 16 - 8048690-10 PLUG, SAE

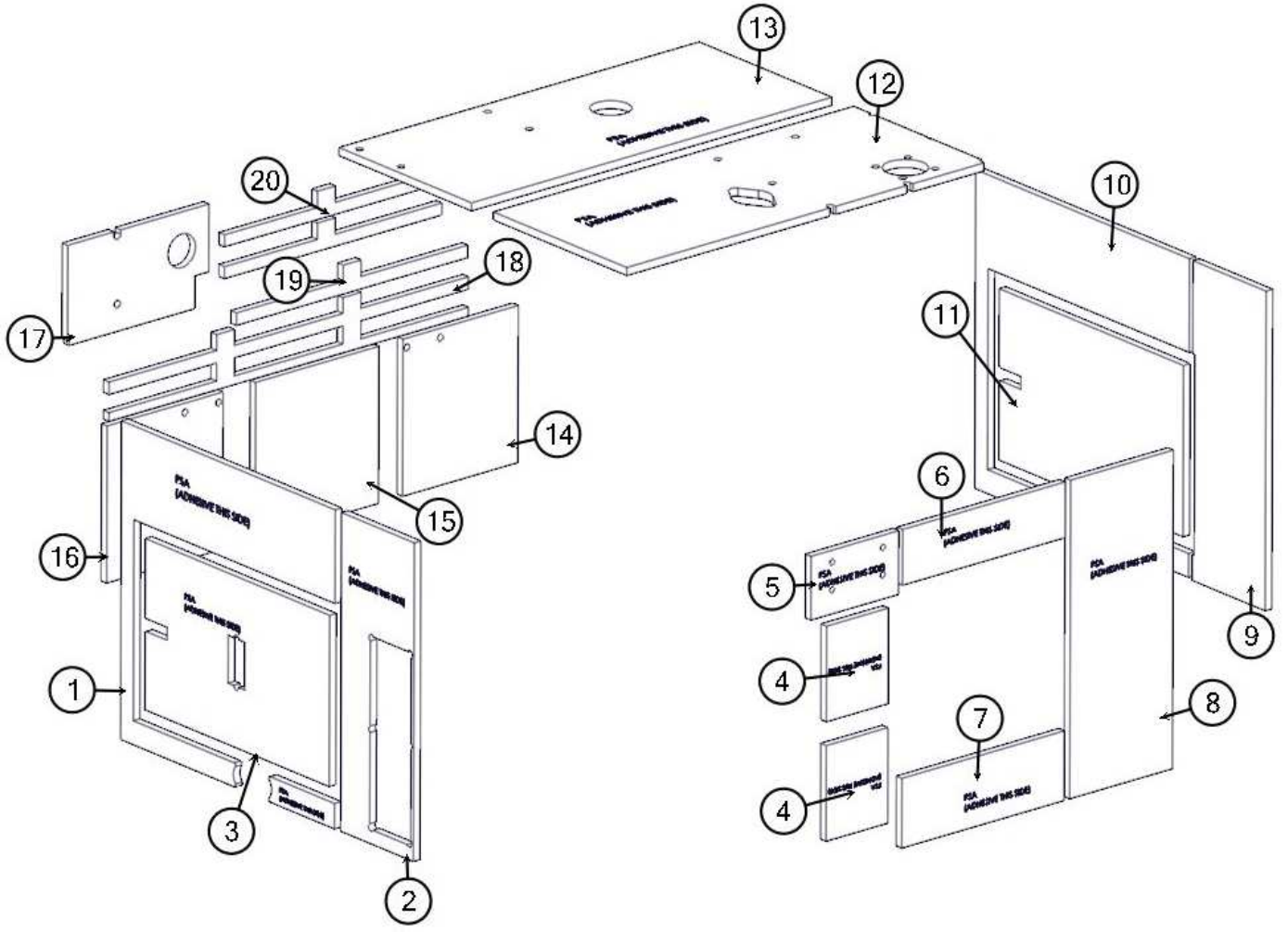
ENCLOSURE ASSEMBLY



ENCLOSURE ASSEMBLY

| BOM ID | Qty | Description |
|--------|-----|---|
| 1 | 2 | 8040586 SEALED LEVER LATCH |
| 2 | 1 | E250210 BOX, SAFETY MANUAL |
| 3 | 1 | 8096213 WELDMENT, ENCLOSURE DOOR W/MANUAL BOX |
| 4 | 4 | 8093873 HINGE, DOOR ENCLOSURE |
| 5 | 1 | 8095541 PLATE, ENCLOSURE CONTROL PANEL |
| 6 | 1 | 8095527 WELDMENT, PANEL CURBSIDE |
| 7 | 1 | 8095333 WELDMENT, ENGINE PLATE 75HP |
| 8 | 1 | 8095549 PLATE, ACCESS BATTERY |
| 9 | 1 | 8095542 WELDMENT, PANEL RADIATOR |
| 10 | 1 | 8095536 WELDMENT, ENCLOSURE STREETSIDE |
| 11 | 1 | 8095538 WELDMENT, ENCLOSURE DOOR |
| 12 | 1 | 8095517 WELDMENT, BLOWER INTAKE BOX |
| 13 | 2 | 8040334 SWELL LATCH |
| 14 | 1 | 8040592 ENCLOSURE RADIATOR COVER |
| 15 | 1 | 8095521 WELDMENT, PANEL TOP |
| 16 | 1 | 8095805 RADIATOR GRATE |
| 17 | 1 | 8095545 WELDMENT, PANEL REAR UPPER |
| 18 | 1 | 8095547 WELDMENT, ENCLOSURE REAR LOWER |
| 19 | 2 | 8095551 HANDLE, PULL |

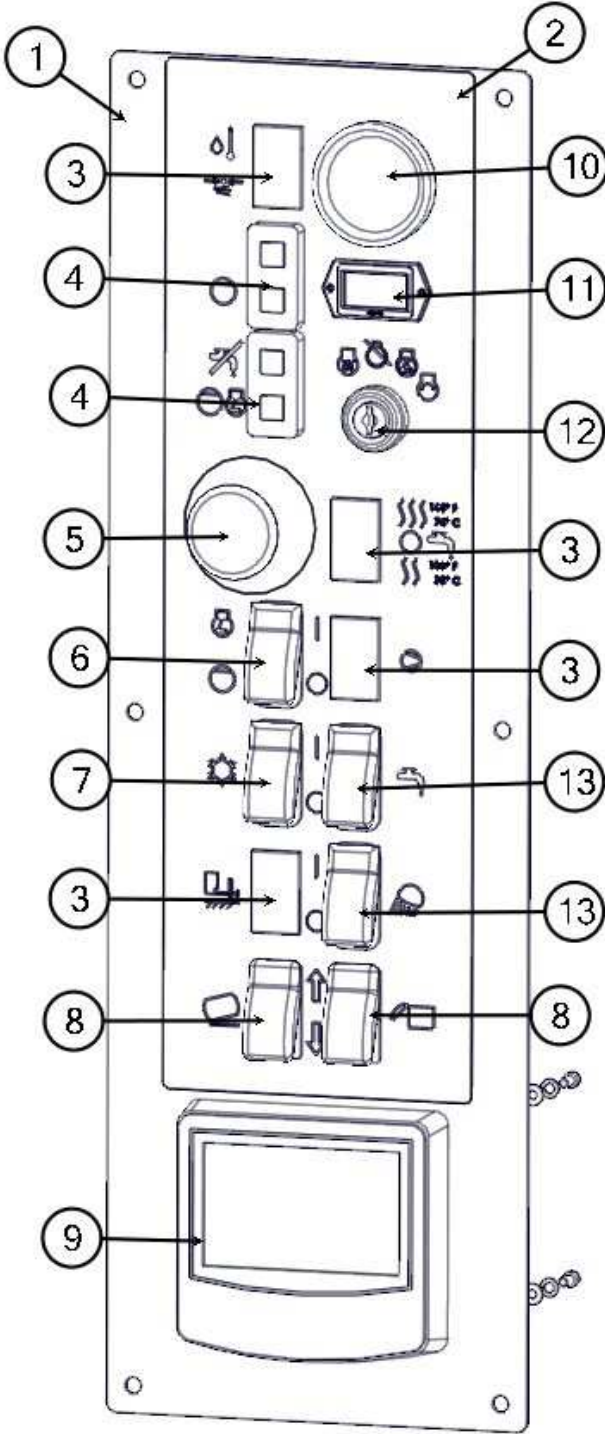
ENCLOSURE FOAM ASSEMBLY



ENCLOSURE FOAM ASSEMBLY

| BOM ID | Qty | Description |
|--------|-----|-------------------------------------|
| 1 | 1 | 8095558-01 PANEL 1, FOAM ENCLOSURE |
| 2 | 1 | 8095558-02 PANEL 2, FOAM ENCLOSURE |
| 3 | 1 | 8095558-21 PANEL 21, FOAM ENCLOSURE |
| 4 | 2 | 8095558-08 PANEL 8, FOAM ENCLOSURE |
| 5 | 1 | 8095558-07 PANEL 7, FOAM ENCLOSURE |
| 6 | 1 | 8095558-18 PANEL 18, FOAM ENCLOSURE |
| 7 | 1 | 8095558-06 PANEL 6, FOAM ENCLOSURE |
| 8 | 1 | 8095558-05 PANEL 5, FOAM ENCLOSURE |
| 9 | 1 | 8095558-04 PANEL 4, FOAM ENCLOSURE |
| 10 | 1 | 8095558-03 PANEL 3, FOAM ENCLOSURE |
| 11 | 1 | 8095558-15 PANEL 15, FOAM ENCLOSURE |
| 12 | 1 | 8095558-16 PANEL 16, FOAM ENCLOSURE |
| 13 | 1 | 8095558-17 PANEL 17, FOAM ENCLOSURE |
| 14 | 1 | 8095558-09 PANEL 9, FOAM ENCLOSURE |
| 15 | 1 | 8095558-20 PANEL 20, FOAM ENCLOSURE |
| 16 | 1 | 8095558-19 PANEL 19, FOAM ENCLOSURE |
| 17 | 1 | 8095558-10 PANEL 10, FOAM ENCLOSURE |
| 18 | 1 | 8095558-11 PANEL 11, FOAM ENCLOSURE |
| 19 | 1 | 8095558-14 PANEL 14, FOAM ENCLOSURE |
| 20 | 2 | 8095558-12 PANEL 12, FOAM ENCLOSURE |

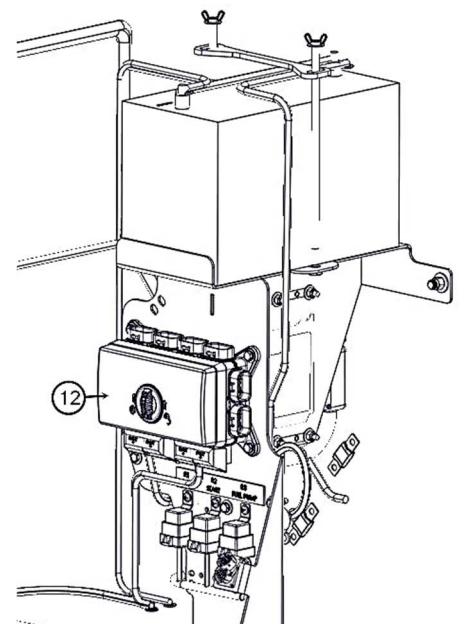
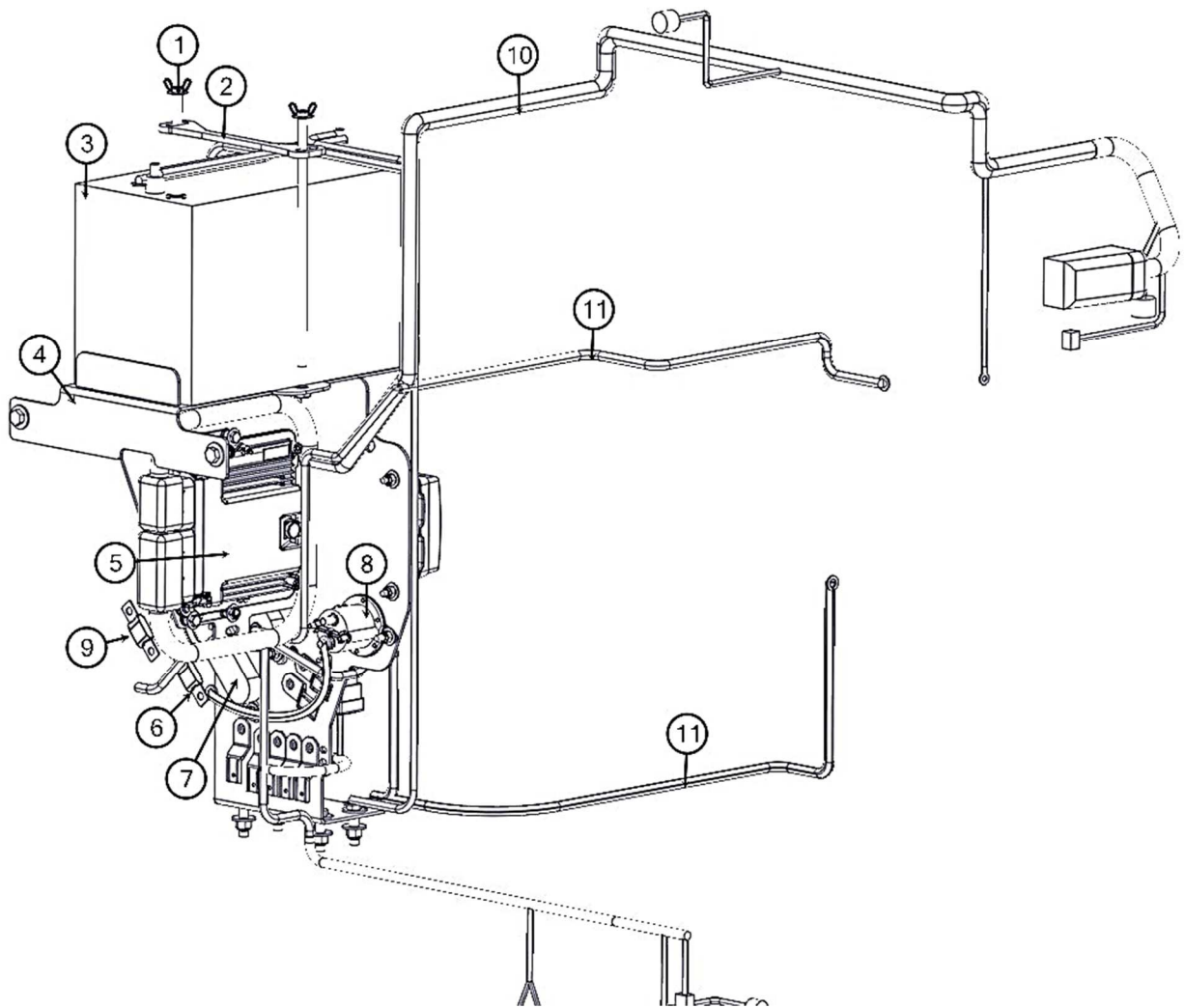
CONTROL PANEL ASSEMBLY



CONTROL PANEL ASSEMBLY

| BOM ID | Qty | Description |
|--------|-----|--|
| 1 | 1 | 8095541 PLATE, ENCLOSURE CONTROL PANEL |
| 2 | 1 | J200069 DECAL, VX75 CONTROL PANEL |
| 3 | 4 | X000290 PLUG, ROCKER HOLE |
| 4 | 2 | X000260 LIGHT, LED DUAL PANEL |
| 5 | 1 | X000280 SWITCH, EMERGENCY STOP |
| 6 | 1 | X000273 ROCKER SWITCH SPST (ON) NONE OFF |
| 7 | 1 | X000272 ROCKER SWITCH DPST (ON) NONE-ON |
| 8 | 2 | X000274 ROCKER SWITCH DPST (ON) OFF (ON) |
| 9 | 1 | 8093970-06 DISPLAY, POWERVIEW PV480 DEUTZ 75HP |
| 10 | 1 | X100001 GAUGE, FUEL WEMA |
| 11 | 1 | X000300 HOUR METER |
| 12 | 1 | 8030458 SWITCH, IGNITION |
| 13 | 2 | X000270 ROCKER SWITCH SPST ON-OFF |

ELECTRICAL ASSEMBLY



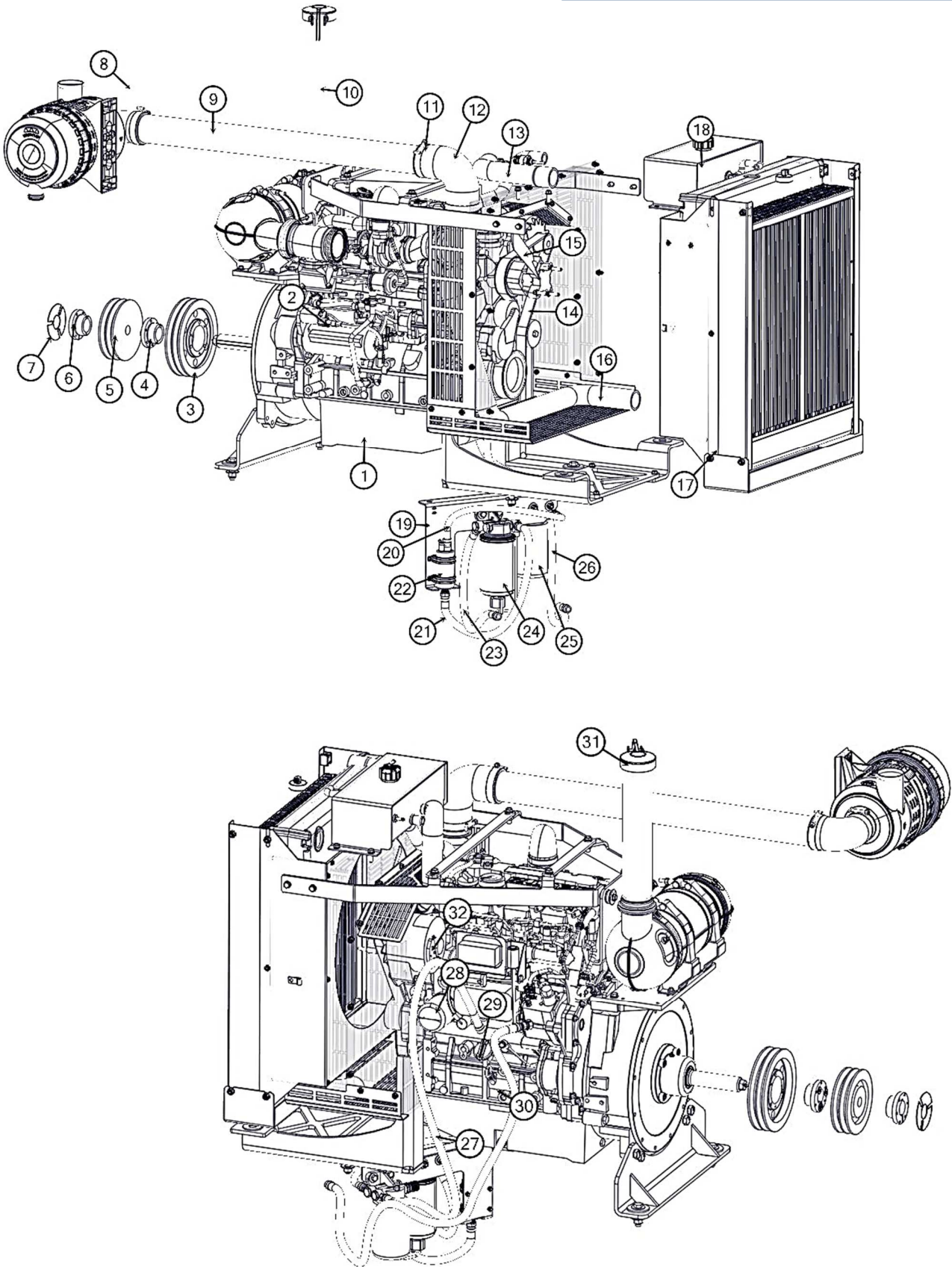
ELECTRICAL ASSEMBLY

| BOM ID | Qty | Description |
|--------|-----|--------------------------------------|
| 1 | 2 | 8043742 BATTERY ROD HOLD DOWN VK |
| 2 | 1 | 8050016 STRAP, FOR BATTERY |
| 3 | 1 | X400050 BATTERY, 31-MHD WORKAHOLIC |
| 4 | 1 | 8095985 WELDMENT, ELECTRICAL BRACKET |
| 5 | 1 | 8093970-08 DEUTZ 75HP PTO-CONTROL |
| 6 | 1 | 8091757 FUSE 100A AMG |
| 7 | 2 | 8043800 FUSE HOLDER AMG |
| 8 | 1 | 8046258 SWITCH HYD PUMP |
| 9 | 1 | 8043801 FUSE, AMG 250A |
| 10 | 1 | X200253 HARNESS, VX ENGINE |
| 11 | 1 | 8096253 KIT, BATTERY CABLE VX75 |
| 12 | 1 | X000239 VEHICLE ELECTRICAL CENTER |

*NOT SHOWN

X200251 1 MAIN HARNESS
 X200259 1 CONTROL PANEL HARNESS

ENGINE ASSEMBLY

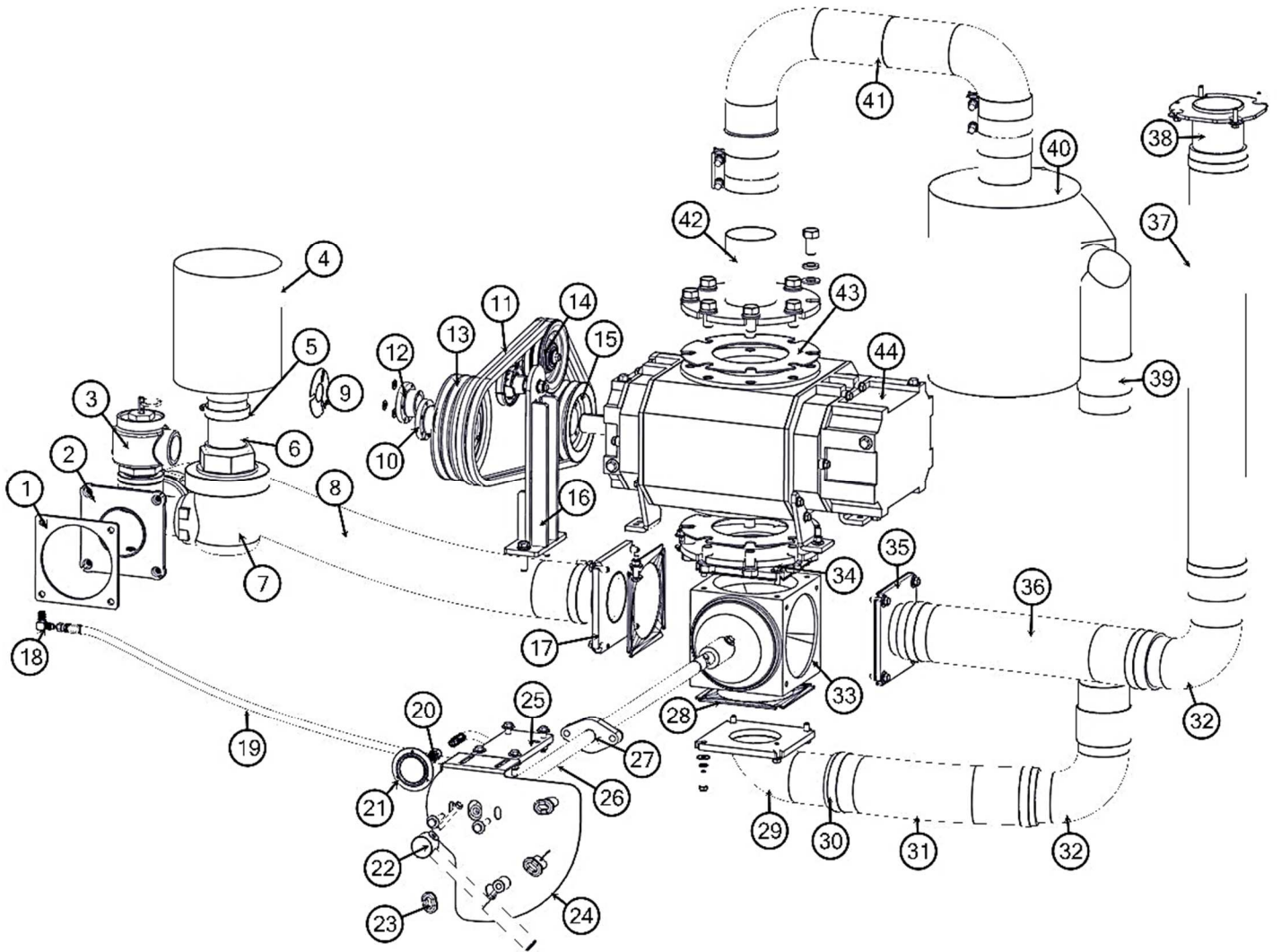


ENGINE ASSEMBLY

| BOM ID | Qty | Description |
|--------|-----|--|
| 1 | 1 | 8093970 ENGINE, DEUTZ TD 2.9 L4 T4F |
| 2 | 1 | 8093970-10 STARTER |
| 3 | 1 | 8040482 SHEAVE, 8.35" OD SK ENGINE |
| 4 | 1 | 8040483 BUSHING, SK 1 7/16" |
| 5 | 1 | 8040697 SHEAVE, 6.55"OD - SDS 2 GROOVE |
| 6 | 1 | 8040960 BUSHING, SDS 1 7/16 ENGINE |
| 7 | 1 | 8048364 RETAINER FOR 1 1/2" BUSHING 3 HOLE |
| 8 | 1 | 8093970-07 ASSEMBLY, AIR CLEANER DEUTZ |
| 9 | 1 | 8096058 TUBE, RD OD 3" X 2.87"ID ERW X 36"LG |
| 10 | 1 | 8095959 EXHAUST PIPE |
| 11 | 4 | 8042605 CLAMP HOSE T-BOLT 350 |
| 12 | 1 | 8091494 EXHAUST INTAKE ELBOW 90 RUBBER 3 X 3 |
| 13 | 1 | 8093970-19 UPPER RADIATOR HOSE |
| 14 | 1 | 8093970-18 V-BELT |
| 15 | 1 | 8093970-17 FAN |
| 16 | 1 | 8093970-20 LOWER RADIATOR HOSE |
| 17 | 1 | 8093970-21 RADIATOR |
| 18 | 1 | 8093970-22 OVERFLOW TANK |
| 19 | 1 | 8095388 BRACKET, FUEL SYSTEM VX75 |
| 20 | 1 | 8049946-20.00 HOSE, FUEL 5/16 - 20" |
| 21 | 1 | T300457-23.00 HOSE, FUEL 3/8 - 23"LG |
| 22 | 1 | 8093970-01 FUEL PUMP, DEUTZ |
| 23 | 1 | T300457-26.50 HOSE, FUEL 3/8 - 26.50"LG |
| 24 | 1 | 8093970-02 WATER SEPERATOR, DEUTZ |
| 25 | 1 | 8093970-03 FUEL FILTER, DEUTZ |
| 26 | 1 | T300457-78.00 HOSE, FUEL 3/8 - 78"LG |
| 27 | 1 | 8093970-04 FUEL SUPPLY LINE, DEUTZ |
| 28 | 1 | 8093970-12 OIL FILTER |
| 29 | 1 | 8093970-14 CAP, OIL |
| 30 | 1 | 8093970-13 DIPSTICK, OIL |
| 31 | 1 | 8044537 RAIN CAP 3" SILENT |
| 32 | 1 | 8093970-11 GENERATOR |

*NOT SHOWN
QTY 1 AIR FILTER - 8093970-24

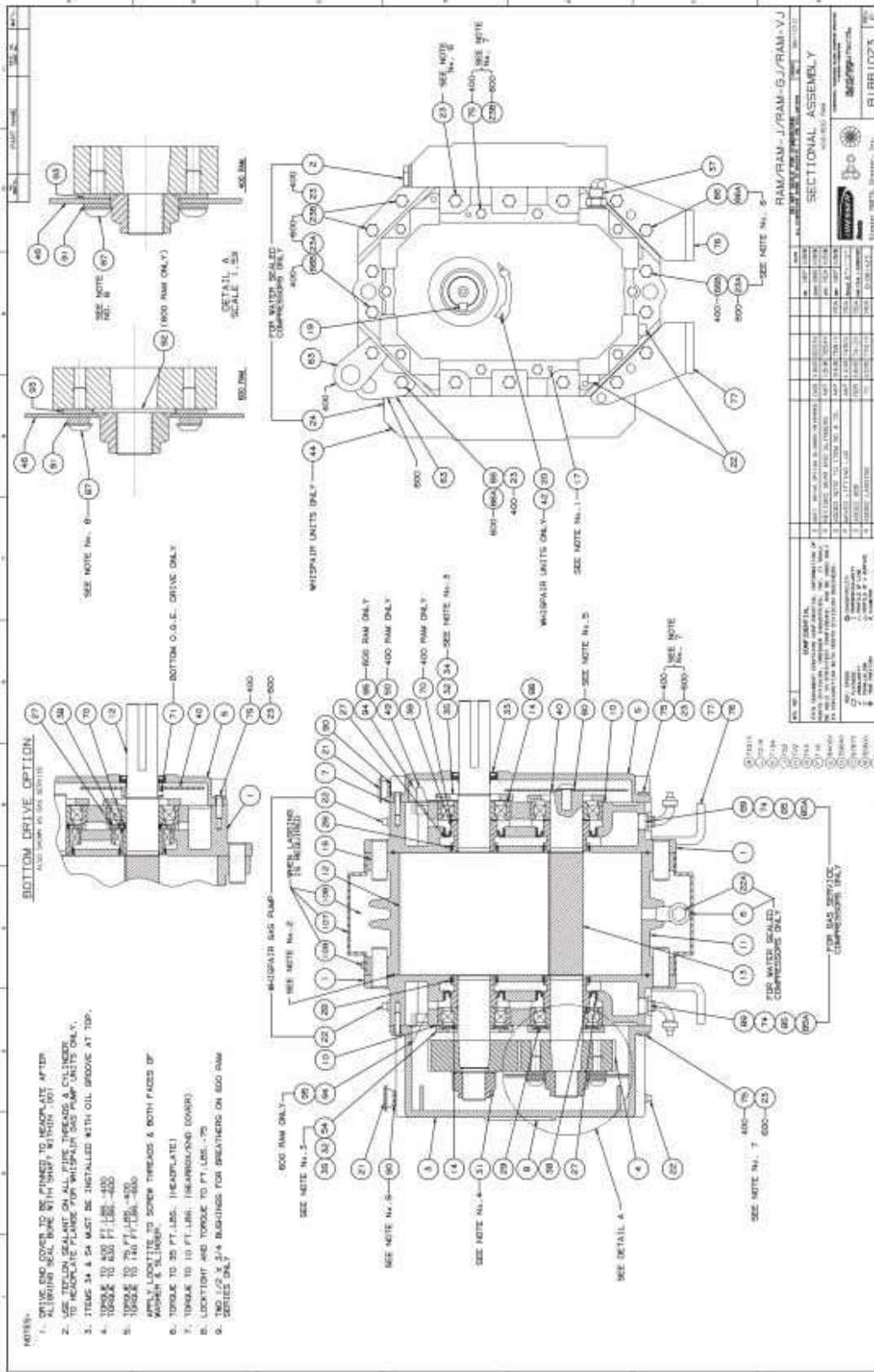
BLOWER ASSEMBLY



BLOWER ASSEMBLY

| BOM ID | Qty | Description |
|--------|-----|---|
| 1 | 1 | 8046191 GASKET, DOOR INLET/OUTLET |
| 2 | 1 | 8048126 HEADER, 4" AIR FILTER HDRF |
| 3 | 1 | 8041035 VALVE, 2.5" AIR RELIEF SET 5 PSI |
| 4 | 1 | 8043553 FILTER, AIR 3" 245 CFM |
| 5 | 1 | 8042605 CLAMP HOSE T-BOLT 350 |
| 6 | 1 | 8045238 UNION EXHAUST 3" OD-MNPT |
| 7 | 1 | 8030866 VALVE, 3" AIR RELIEF SET 15" HG |
| 8 | 1 | 8092929-048.00 HOSE BLOWER HOT AIR 4" X 48"LG |
| 9 | 1 | 8048364 RETAINER FOR 1 1/2" BUSHING 3 HOLE |
| 10 | 1 | 8040483 BUSHING, SK 1 7/16" |
| 11 | 2 | 8049163 BELT, BP59 PREDATOR |
| 12 | 1 | 8045305 BUSHING, SD 1 1/2" |
| 13 | 1 | 8040482 SHEAVE, 8.35" OD SK ENGINE |
| 14 | 1 | 8049156 AUTO TENSIONER FOR DUAL V BELT |
| 15 | 1 | 8047969 SHEAVE, 2B60 6.35"OD SD 2 GROOVE |
| 16 | 1 | 8095973 WELDMENT, BLOWER BELT TENSIONER BRACKET |
| 17 | 1 | 8046984 WELDMENT, FLANGE EXHAUST 4-WAY 6 X 4 TUBE |
| 18 | 1 | T401100 ELBOW, 90 4MP-4MJ |
| 19 | 1 | 8042927 HOSE ASSY VAC 4-50" ST-ST |
| 20 | 1 | T400110 UNION, 4FP-4MJ |
| 21 | 1 | 8041074 GAUGE, COMPOUND PRESSURE/VACUUM |
| 22 | 1 | 8041617 HANDLE, 4" REV FLOW W/GRIP |
| 23 | 3 | 8048585 GROMMET, REV FLOW PLATE |
| 24 | 1 | 8046202 BRACKET, REV FLOW CONTROL |
| 25 | 1 | 8096036 PLATE, MOUNT CONTROLS REV FLOW |
| 26 | 1 | 8048342 REV FLOW ROD U-JOINT |
| 27 | 1 | W030080 BEARING, FLANGE 2 BOLT 1" BORE |
| 28 | 4 | 8046995 GASKET, FLANGE 4-WAY 6" |
| 29 | 1 | 8091913 WELDMENT, ELBOW 6" VALVE FLANGE |
| 30 | 8 | 8042606 CLAMP HOSE T-BOLT 450 |
| 31 | 1 | 8092929-017.00 HOSE BLOWER HOT AIR 4" X 17"LG |
| 32 | 2 | 8041814 ELBOW, 90 4" EXHAUST 4"RAD 4"OD-OD |
| 33 | 1 | 8045829 VALVE, 4-WAY 6" W/O FLANGES |
| 34 | 1 | 8048089 BRACKET, REV FLOW BLOWER TO 4-WAY |
| 35 | 1 | 8046984 WELDMENT, FLANGE EXHAUST 4-WAY 6 X 4 TUBE |
| 36 | 1 | 8092929-022.00 HOSE BLOWER HOT AIR 4" X 22"LG |
| 37 | 1 | 8092929-037.00 HOSE BLOWER HOT AIR 4" X 37"LG |
| 38 | 1 | 8095622 WELDMENT, BLOWER EXHAUST FLANGE |
| 39 | 4 | 8030400 CLAMP, BAND 4" EXHAUST |
| 40 | 1 | 8030917 SILENCER, 4" COWL FOR 1025 CFM |
| 41 | 1 | 8096035 WELDMENT, BLOWER DEUTZ 75HP RF |
| 42 | 1 | 8046988 BLOWER FLANGE OUTLET |
| 43 | 2 | 8046996 GASKET, BLOWER FLANGE ROOT 412 |
| 44 | 1 | 8045164 PUMP, VAC 1200 RH SHAFT TOPOUT |

BLOWER



Assembly of RAM Series - Air & Gas Blowers

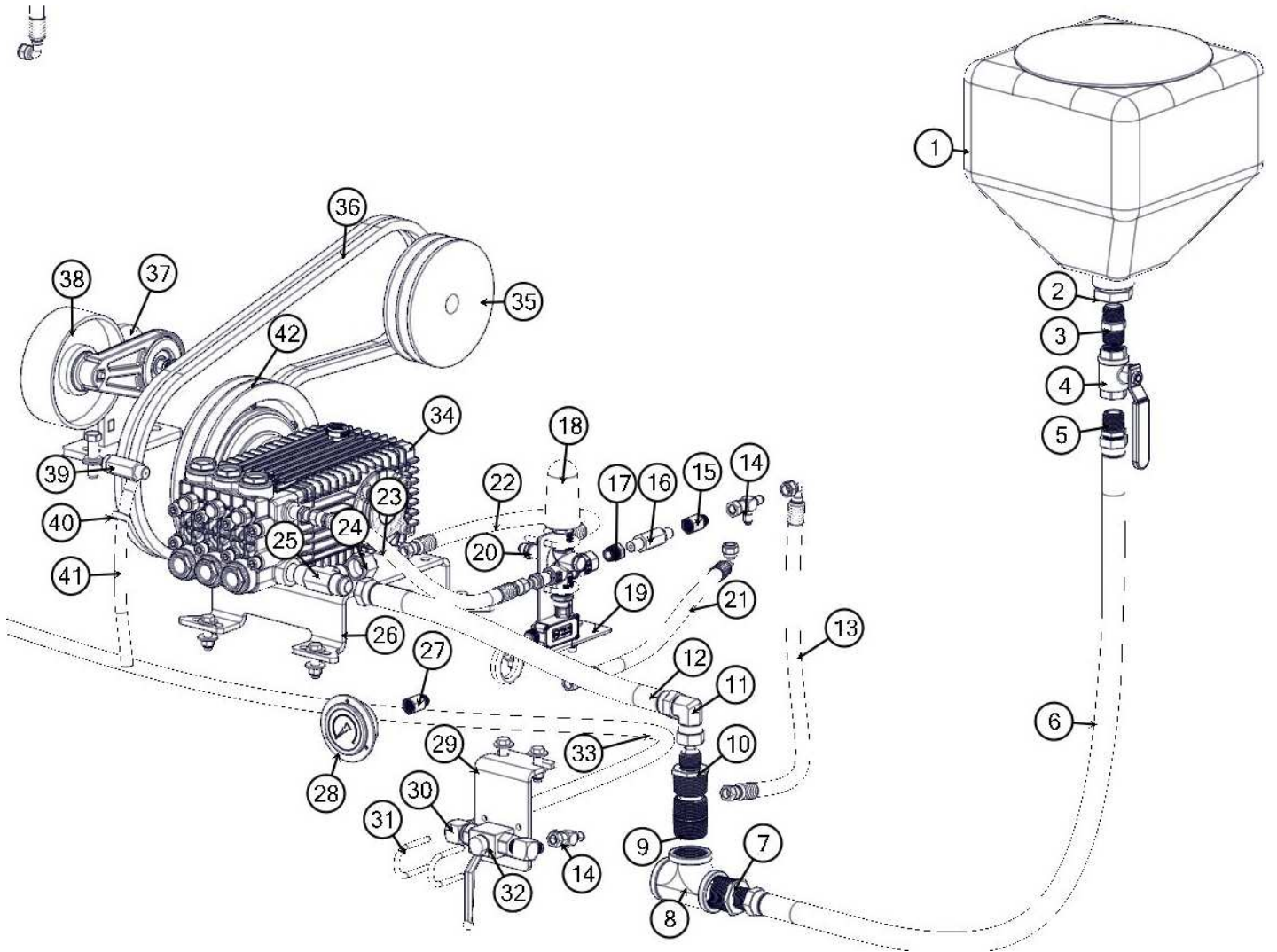
BLOWER

**RAM series parts list 4" & 6" gear diameter
for Gas, DVJ, DPJ & JV
(Refer to drawing #81881023)**

| Item # | Part Name | Qty. |
|--------|-------------------------------------|------|
| 1 | Headplate | 2 |
| 2 | Spray nozzle assembly | 1 |
| 3 | Gearbox | 1 |
| 4 | Timing Gears | 2 |
| 5 | End Cover | 1 |
| 7 | Gasket - Gearbox/Cover | 2 |
| 10 | Shims | Lot |
| 11 | Cylinder | 1 |
| 12 | Impeller & Shaft Drive | 1 |
| 13 | Impeller & Shaft Driven | 1 |
| 14 | Bearing Roller | 4 |
| 16 | Pin, Dowel (Pull Out) | 4 |
| 17 | Pin, Dowel | 2 |
| 19 | Key Square | 1 |
| 21 | Plug - Vent | 2 |
| 22 | Plug, Pipe | 12 |
| 23 | Screw, Cap Hex Hd. | * |
| 27 | Seal, Lip Headplate DVJ, DPJ, VJ | 4 |
| 27 | Seal-Mech-Viton Gas | 4 |
| 28 | Piston, Ring-Seal | 4 |
| 29 | Washer, Wavy Spring | 2 |
| 31 | Gear Nut | 2 |
| 32 | Scr, Cap Hex Hd. | 16 |
| 33 | Seal, Lip Drive | 1 |
| 34 | Brg. Clamp Plate - D. E. | 2 |
| 35 | Lock Washer - Spring | 16 |
| 37 | Oil Level Gauge | 2 |
| 38 | Sleeve, Shaft DVJ, DPJ, JV | 4 |
| 38 | Sleeve - Gas | 4 |
| 40 | Slinger - D.E. (Top Drive) | 1 |
| 46 | Slinger - G.E. | 1 |
| 49 | Oil Leader L/S | 1 |
| 50 | Oil, Leader-R/S | 1 |
| 54 | Brg Clamp Plate - G. E. | 2 |
| 60 | Screw, Cap Butt. HD. | 1 |
| 64 | Pin, Spring | 1 |
| 66 | Screw, Cap Hex HD. | * |
| 66.1 | Whispair, Spring Lock 3/8M | * |
| 70 | Shims D.E. Brg. | 1 |
| 75 | Screw, Cap - Hex HD. | * |
| 76 | Blower Foot - RH | 2 |
| 77 | Blower Foot - LH | 2 |
| 85 | Elb, Pipe-Black | 2 |
| 85.1 | Plug, Pipe | 2 |
| 87 | Scr, Cap BH | 2 |
| 88 | Anti Rotation Ball | 4 |
| 90 | BSHG-RDCG | 2 |
| 91 | Washer, Plain Flat | 2 |
| 92 | Washer, Plain Flat | 2 |
| 93 | Washer | 2 |
| 94 | Oil Leader | 2 |
| 95 | Cap Screw | 4 |

*Quantity varies by blower.

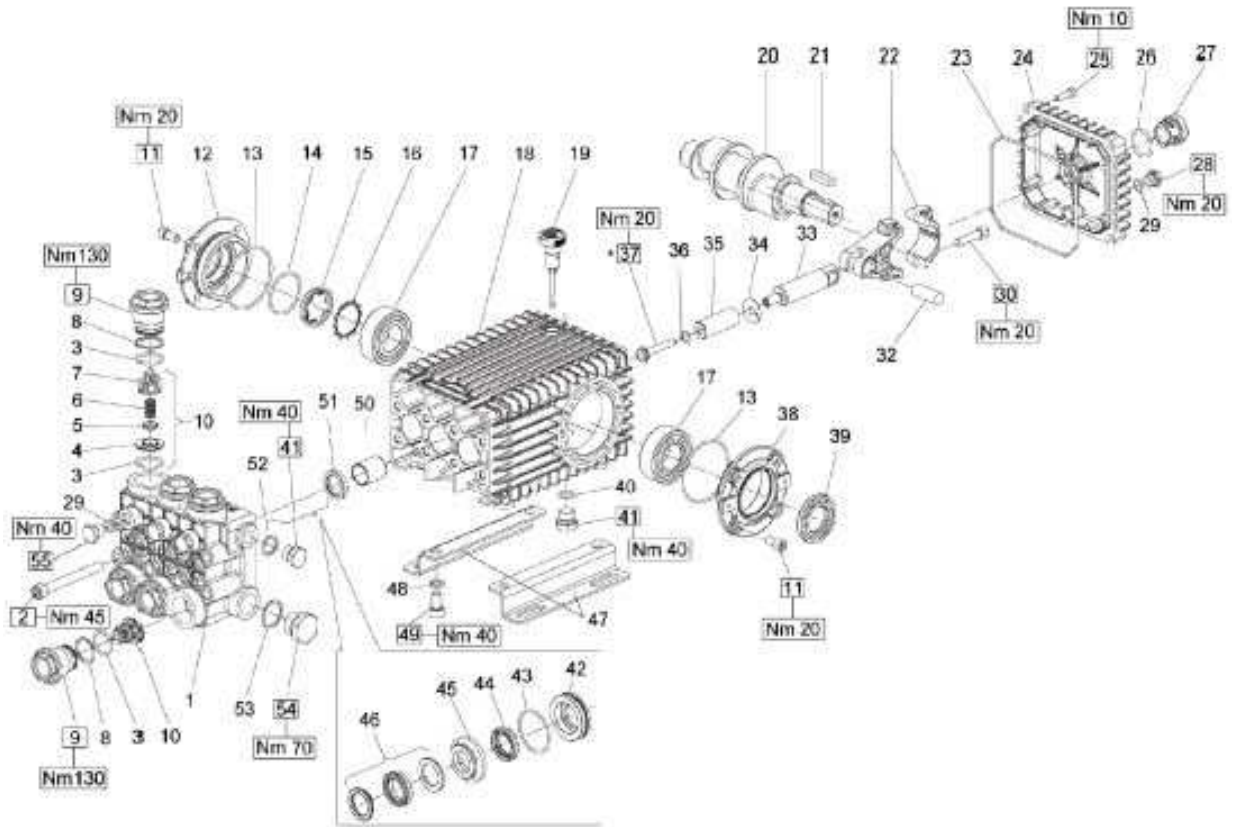
WATER PUMP ASSEMBLY



WATER PUMP ASSEMBLY

| BOM ID | Qty | Description |
|--------|-----|--|
| 1 | 1 | 8030394 TANK, ANTIFREEZE 4 GAL W CAP |
| 2 | 1 | T403100 REDUCER, 20MP-12FP |
| 3 | 1 | T400800 UNION, 12MP-12MP |
| 4 | 1 | T000185 VALVE, BALL 3/4" FNPT BRASS |
| 5 | 1 | T400100 UNION, 12MP-12MJ |
| 6 | 1 | 8030539-041.00 HOSE, PUSHLOCK 12 X 41"LG |
| 7 | 1 | T403017 REDUCER, 20MP-12MJ |
| 8 | 1 | 8041310 TEE, 1.25"FP ALL LEGS GALV |
| 9 | 1 | T421040 NIPPLE, CLOSE 1 1/4"MP X 2" BLACK |
| 10 | 1 | T403017 REDUCER, 20MP-12MJ |
| 11 | 1 | T401628 ELBOW, 90 12FJ-12MJ |
| 12 | 1 | 8030539-020.00 HOSE, PUSHLOCK 12 X 20"LG |
| 13 | 1 | 8093435 HOSE ASSY VAC 6-31" ST-90 |
| 14 | 2 | T402153 TEE, 6FJ-6MJ-6MJ |
| 15 | 1 | 8031126 REDUCER, 4FP-6MJ |
| 16 | 1 | 8030923 FILTER, WATER HIGH PRESSURE |
| 17 | 1 | T400023 REDUCER, 6MP-4FP |
| 18 | 1 | 8048979 VALVE, UNLOADER BLUE W/SWITCH |
| 19 | 1 | 8093220 MOUNT, UNLOADER ENGINE PLATE |
| 20 | 3 | T400028 UNION, 6MP-6MJ |
| 21 | 1 | 8043960 HOSE ASSY AVC 6-17" ST-90 |
| 22 | 1 | 8093444 HOSE ASSY VAC 6-14" ST-90 |
| 23 | 1 | 8091323 HOSE ASSY VAC 6-14" ST-ST |
| 24 | 1 | T403134 REDUCER, 3/4"FJ - 3/8"MJ |
| 25 | 1 | T402025 TEE, 12MP-12MJ-12MJ |
| 26 | 1 | 8095995 PLATE, WATER PUMP MOUNT |
| 27 | 1 | 8031126 REDUCER, 4FP-6MJ |
| 28 | 1 | 8030372 GAUGE, 5000PSI 2.5"LF CBM |
| 29 | 1 | 8040670 BRACKET, BALL VALVE |
| 30 | 2 | T401102 ELBOW, 90 6MP-6MJ |
| 31 | 4 | U010017 U-BOLT, .250-20 |
| 32 | 1 | 8030351 VALVE, BALL 3/8" RATE 3K PSI |
| 33 | 1 | 8049023 HOSE ASSY VAC 6-370" ST-90 (TANK CLEANOUT) |
| 34 | 1 | 8047941 PUMP, WATER TSF2021 8.5GPM 3600PSI |
| 35 | 1 | 8040697 SHEAVE, 6.55"OD - SDS 2 GROOVE |
| 36 | 2 | 8049162 BELT, BP57 PREDATOR |
| 37 | 1 | 8095969 WELDMENT, 8GPM BELT TENSIONER BRACKET |
| 38 | 1 | 8096205 AUTO TENSIONER FLAT FACED PULLEY |
| 39 | 1 | 8030340 VALVE RELIEF WATER PRESET 4700 PSI |
| 40 | 1 | U800015 CLAMP, HOSE SIZE 04 - 5/8" |
| 41 | 1 | T300020-010.00 HOSE, #4 X 10"LG |
| 42 | 1 | 8096060 CLUTCH, 9.75" PITCH DIA. |

WATER PUMP TSF2021



TORQUE SPECS*

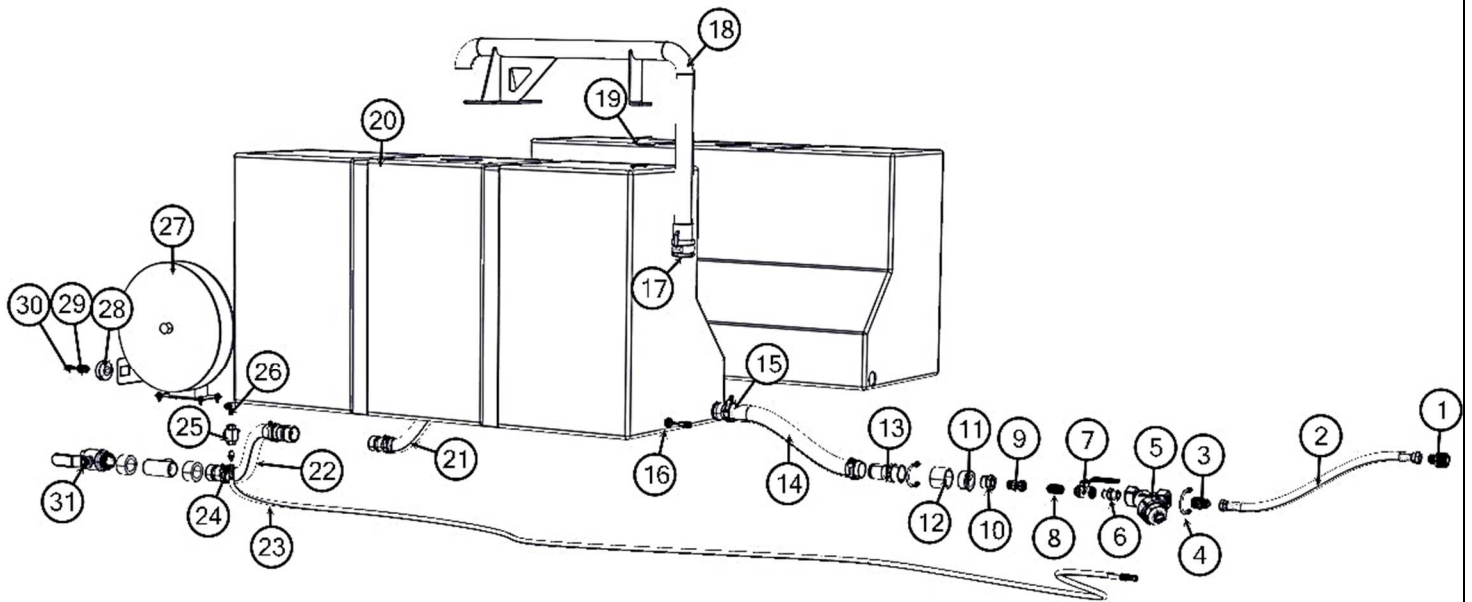
*Decrease torque by 20%
if threads are lubricated

| POS. | Nm | Ft/lb |
|------|-----|-------|
| 2 | 45 | 33.2 |
| 9 | 130 | 95.9 |
| 11 | 20 | 14.8 |
| 25 | 10 | 7.4 |
| 28 | 20 | 14.8 |
| 30 | 20 | 14.8 |
| 37** | 20 | 14.8† |
| 41 | 40 | 29.5 |
| 49 | 40 | 29.5 |
| 54 | 70 | 51.6 |
| 55 | 40 | 29.5 |

WATER PUMP TSF2021

| ITEM | QTY. | PART # | DESCRIPTION | ITEM #S INCL'D IN KIT | NO. OF ASSY IN KIT | NO. OF CYL KIT WILL SERVICE |
|----------------|------|------------|-------------------------------|--------------------------|-----------------------|--------------------------------|
| 1 | 1 | 8047941-1 | Manifold, 20mm | | | |
| 2 | 8 | 8047941-2 | Headbolt, M10 x 90 | | | |
| 3 | 12 | 8047941-3 | O-ring, 23.81 x 2.62 | | | |
| 4 | 6 | 8047941-4 | Seat, Valve | | | |
| 5 | 6 | 8047941-5 | Seat, Poppet | | | |
| 6 | 6 | 8047941-6 | Valve Spring 10 x 18 x 18.5 | | | |
| 7 | 6 | 8047941-7 | Guide, Valve | | | |
| 8 | 6 | 8047941-8 | Anti-ext ring 24.7 x 29 x 1.5 | | | |
| 9 | 6 | 8047941-9 | Plug, M32 x 1.5 x 29.5 | | | |
| 10 | 6 | 8047941-10 | Valve Assembly Complete | | | |
| 11 | 8 | 8047941-11 | Screw, M8 x 16 | | | |
| 12 | 1 | 8047941-12 | Cover | | | |
| 13 | 2 | 8047941-13 | O-ring, 67.95 x 2.62 | | | |
| 14 | 1 | 8047941-14 | O-ring, 39.34 x 2.62 | | | |
| 15 | 1 | 8047941-15 | Oil Sight Glass | | | |
| 16 | 1 | 8047941-16 | Retainer Clip | | | |
| 17 | 2 | 8047941-17 | Bearing | | | |
| 18 | 1 | 8047941-18 | Crankcase | | | |
| 19 | 1 | 8047941-19 | Dip Stick | | | |
| 20 | 1 | 8047941-20 | Crankshaft, 19mm Stroke | | | |
| 21 | 1 | 8047941-21 | Key, 9 x 7 x 35 | | | |
| 22 | 3 | 8047941-22 | Connecting Rod, Complete | | | |
| 23 | 1 | 8047941-23 | O-ring 133.02 x 2.62 | | | |
| 24 | 1 | 8047941-24 | Rear Cover | | | |
| 25 | 4 | 8047941-25 | Screw, M6 x 20 | | | |
| 26 | 1 | 8047941-26 | O-ring 26.58 x 3.53 | | | |
| 27 | 1 | 8047941-27 | Oil Indicator | | | |
| 28 | 1 | 8047941-28 | Plug, G1/4" x 9 | | | |
| 29 | 4 | 8047941-29 | O-ring .426 x .070 | | | |
| 30 | 6 | 8047941-30 | Screw, M8 x 35 | | | |
| 32 | 3 | 8047941-32 | Wrist Pin, 14 x 39 | | | |
| 33 | 3 | 8047941-33 | Pisten Guide | | | |
| 34 | 3 | 8047941-34 | Flinger Washer | | | |
| 35 | 3 | 8047941-35 | Plunger (20 mm) | | | |
| 37 | 3 | 8047941-37 | Screw, Plunger | | | |
| 38 | 1 | 8047941-38 | Side Cover | | | |
| 39 | 1 | 8047941-39 | Seal Shaft | | | |
| 40 | 1 | 8047941-40 | O-ring, 13.95 x 2.62 | | | |
| 41 | 2 | 8047941-41 | Plug 3/8 x 13 | | | |
| 42 | 3 | 8047941-42 | Seal Retainer 20mm | | | |
| 43 | 3 | 8047941-43 | O-ring, 34.65 x 1.78 | | | |
| 44 | 3 | 8047941-44 | LP Seal 20mm | | | |
| 45 | 3 | 8047941-45 | Intermed. Ring 20mm | | | |
| 46 | 3 | 8047941-46 | HP Seal 20mm | | | |
| 47 | 2 | 8047941-47 | Pump Rail | | | |
| 48 | 4 | 8047941-48 | Washer M10 | | | |
| 49 | 4 | 8047941-49 | Screw, M10 x 18 | | | |
| 50 | 3 | 8047941-50 | Guide Bushing | | | |
| 51 | 3 | 8047941-51 | Seal, Plunger Rod | | | |
| 52 | 1 | 8047941-52 | Gasket, Al. 3/8" | | | |
| 53 | 1 | 8047941-53 | Washer | | | |
| 54 | 1 | 8047941-54 | Plug, G3/4" x 16 | | | |
| 55 | 3 | 8047941-55 | Plug 1/4" x 13 | | | |
| KIT # | | | | | | |
| 8047941-KIT170 | | | | 44, 46 | 3 | 3 |
| 8047941-KIT171 | | | | 42,43,44,45,46 | 1 | 1 |

WATER TANK ASSEMBLY

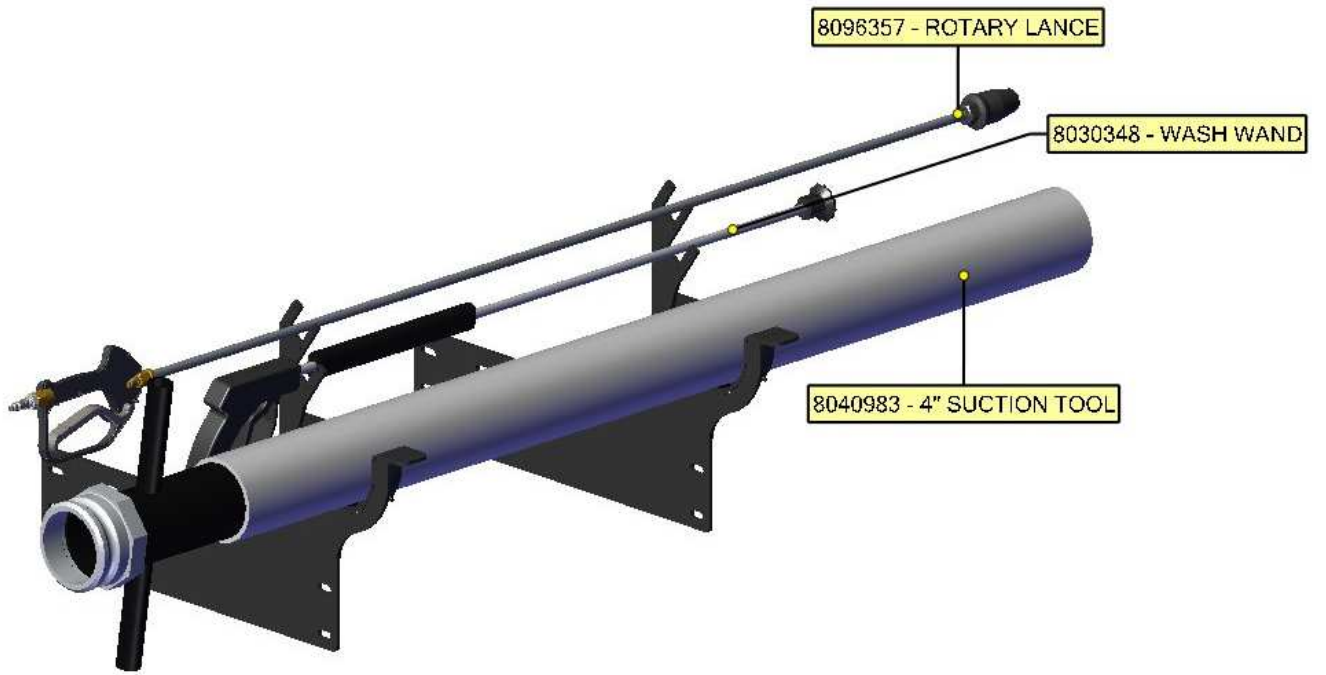


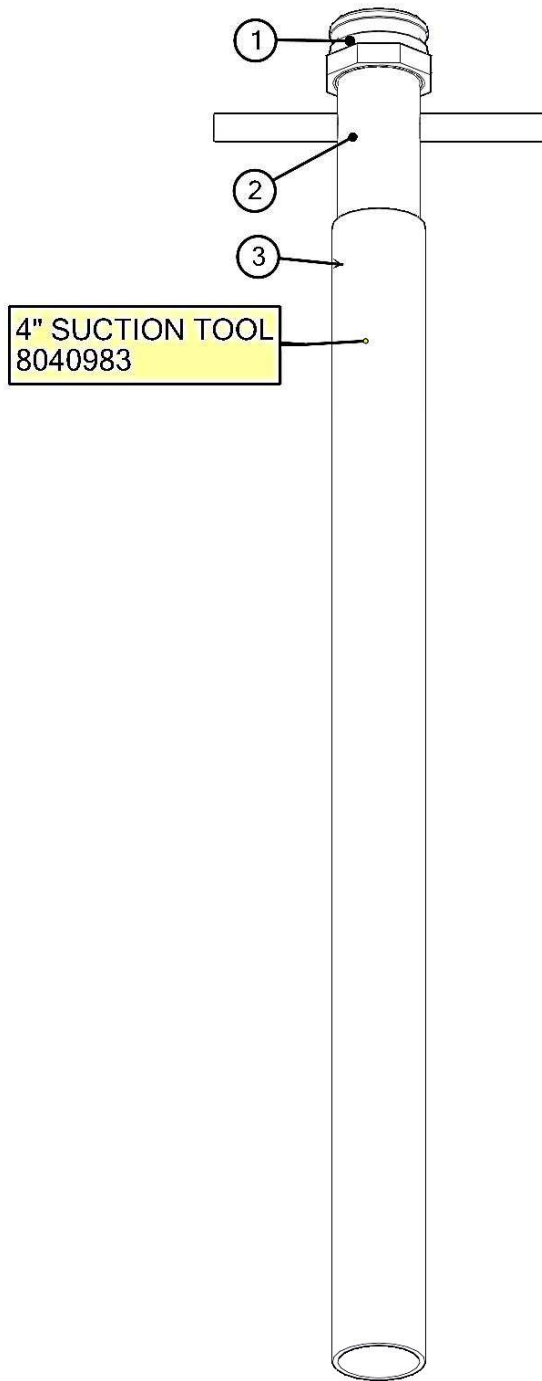
WATER TANK ASSEMBLY

| BOM ID | Qty | Description |
|--------|-----|---|
| 1 | 1 | T403017 REDUCER 20MP_12MJ |
| 2 | 1 | 8030539-028.00 HOSE, PUSHLOCK 12 X 28"LG |
| 3 | 1 | T400450 REDUCER, 1"MP - 3/4"MJ |
| 4 | 2 | 8031373 CLAMP, U-BOLT 2.5 EXHAUST |
| 5 | 1 | 8040186 STRAINER, Y 1" BANJO |
| 6 | 1 | T404060 REDUCER, 16MP - 12MP |
| 7 | 1 | T000185 VALVE, BALL 3/4" FNPT BRASS |
| 8 | 1 | T400100 UNION, 12MP - 12MJ |
| 9 | 1 | T400101 UNION, 3/4"FJ - 3/4"MP |
| 10 | 1 | T403100 REDUCER 20MP-12FP |
| 11 | 1 | 8043843 REDUCER, 2"MP - 1 1/4"FP GALV |
| 12 | 1 | T422150 COUPLING, PIPE 2" |
| 13 | 6 | T410115 FITTING, 2"MNPT - 2"BARB STEEL |
| 14 | 1 | 8043398-022.00 HOSE VAC CLEAR VINYL 2" - 22"LG |
| 15 | 6 | 8044580 CLAMP HOSE T-BOLT 256 |
| 16 | 1 | 8090896 SWITCH, WATER LEVEL HORIZ |
| 17 | 1 | 8031219 COUPLING, 2" ALUM MP X FCAMLOCK |
| 18 | 1 | 8044398 WELDMENT, QUICKFILL 205 GAL |
| 19 | 2 | 8031216-003.00 SEAL, D-SHAPED 3"LG |
| 20 | 2 | 8043805 TANK, WATER 205 GAL SADDLE |
| 21 | 1 | 8043398-017.00 HOSE VAC CLEAR VINYL 2" - 17"LG |
| 22 | 1 | 8043398-017.50 HOSE VAC CLEAR VINYL 2" - 17.50"LG |
| 23 | 1 | 8093851 HOSE ASSY VAC 6 - 192" ST-ST |
| 24 | 1 | T400028 UNION, 6MP - 6MJ |
| 25 | 1 | 8030351 VALVE, BALL 3/8" 3K PSI |
| 26 | 1 | T401065 ELBOW, 90 6MP - 6FP |
| 27 | 1 | 8031240 REEL W/HOSE SPRING DRIVEN 3/8 X 50' |
| 28 | 1 | 8094854 BALL STOPPER 3/8"-100' REEL |
| 29 | 1 | 8091355 QUICK DISCONNECT 3/8" FEMALE |
| 30 | 1 | 8091356 QUICK DISCONNECT 3/8" MALE X MALE |
| 31 | 1 | 8048929 VALVE, BALL 2" M X F BRASS |

PAGE LEFT BLANK

VACUUM TOOLS LAYOUT





TOOLS**SUCTION TOOL**

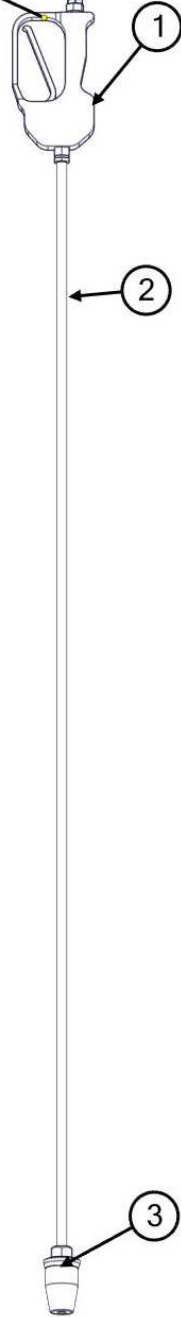
| BOM ID | Qty | Name |
|--------|-----|-------------------------------------|
| 1 | 1 | 8030844 COUPLING, BANJO 4" |
| 2 | 1 | 8040981 VAC TOOL HANDLE ASSEMBLY 4" |
| 3 | 1 | 8040982 TUBE, VACUUM PVC 4" |

TOOLS

ROTARY LANCE

8091356 - QUICK DISCONNECT, MALE 3/8
MUST ORDER SEPARATELY

ROTARY LANCE
8043119



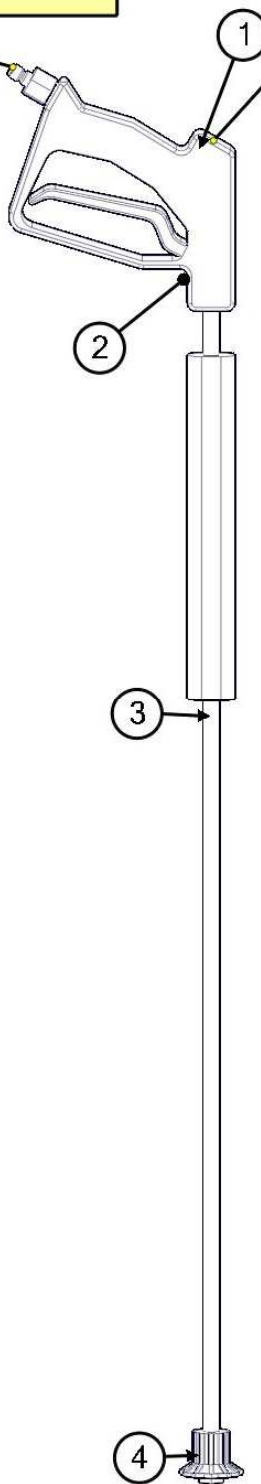
| BOM ID | Qty | Name |
|--------|-----|-----------------------------------|
| 1 | 1 | 8048567 GUN, SPRAY STRAIGHT |
| 2 | 1 | 8043765 TUBE, CHROME 1/4NPT 60"LG |
| 3 | 1 | 8042691 NOZZLE, ROTATING 080 |

TOOLS

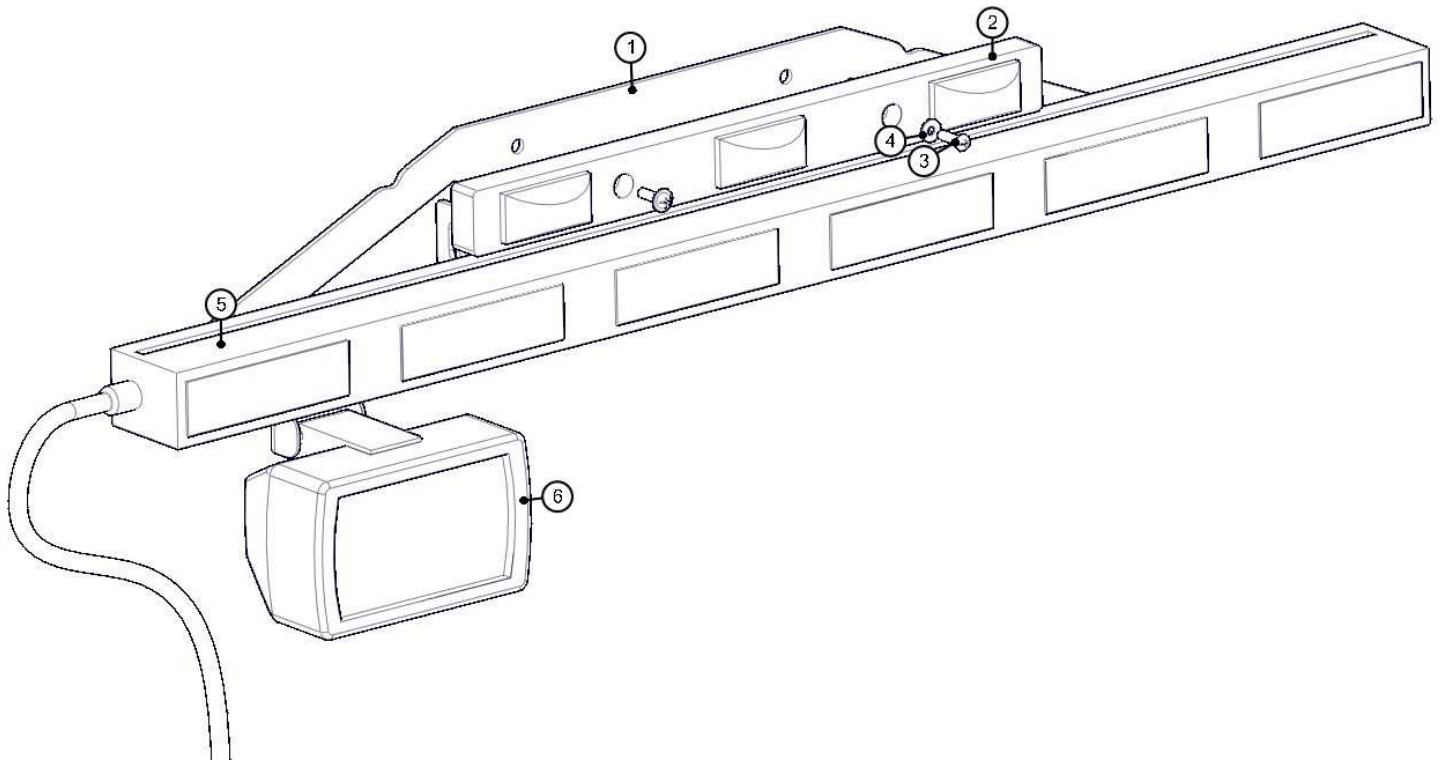
WASH WAND

8091356 - QUICK DISCONNECT, MALE 3/8
MUST ORDER SEPARATELY

WASH WAND
8030348



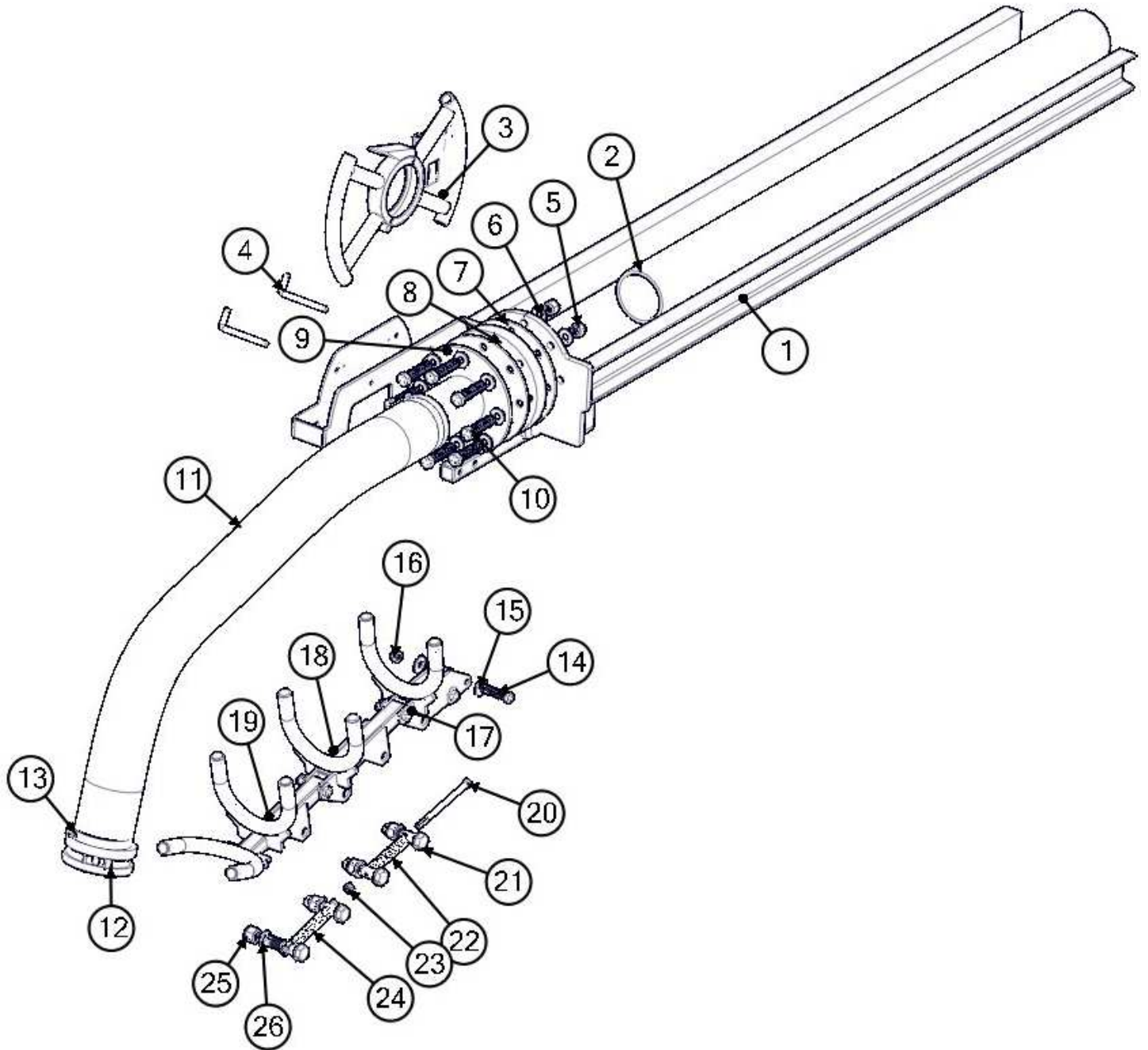
| BOM ID | Qty | Name |
|--------|-----|---|
| 1 | 1 | 8030348 WAND COMPLETE |
| 2 | 1 | 8030928 TRIGGER ASSEMBLY |
| 3 | 1 | 8030847 WAND |
| 4 | 1 | 8031303 NOZZLE, #10 40DEG |
| 5 | 1 | 8091383 STORAGE, TOOL PVC 2 1/2 X 48"LG |



| BOM ID | Qty | Description |
|--------|-----|--|
| 1 | 1 | 8093908 BRACKET, LIGHT DIRECTIONAL (BOOM) |
| 2 | 1 | 8041509 LIGHT, TANK CLEARANCE 3 BAR |
| 3 | 2 | U030809 SCREW, PAN HD PHIL 10-24 X .75 |
| 4 | 4 | U200001 WASHER, FLAT #10 |
| 5 | 1 | 8093914 LIGHT, DIRECTIONAL LED NO CONTROL W/PLUG |
| 6 | 1 | 8043138 LIGHT, WORK VAC TRAP DEUTSCH |

OPTIONS

BOOM ASSEMBLY
EXTENSION ARM



OPTIONS

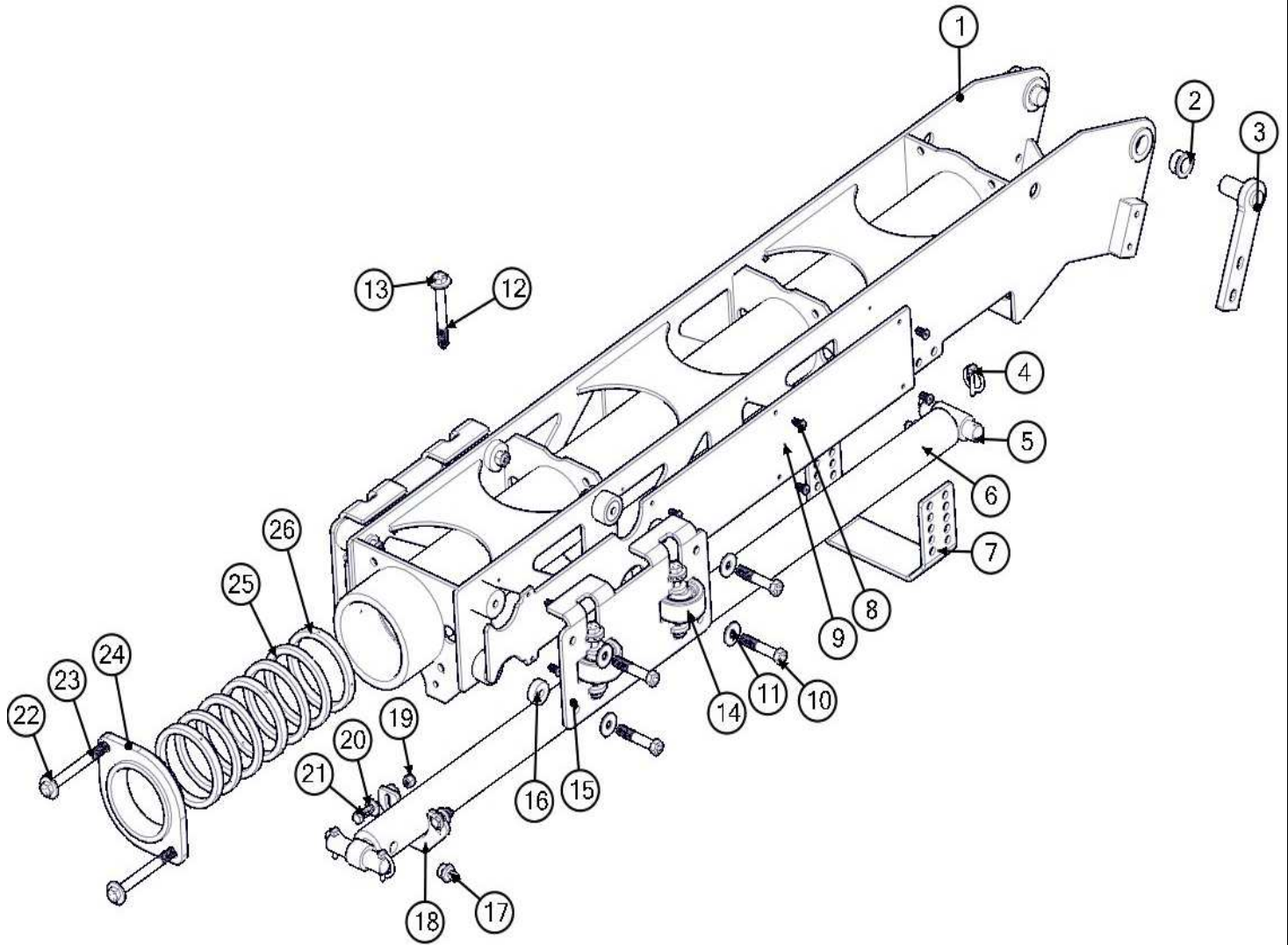
**BOOM ASSEMBLY
EXTENSION ARM**

| BOM ID | Qty | Name |
|--------|-----|--|
| 1 | 1 | 8046591 BOOM EXTENSION ARM WELDMENT |
| 2 | 1 | 8042160 BOOM TUBE 4"-60"LG PVC |
| 3 | 1 | 8043172 BOOM HANDLE WELDMENT |
| 4 | 2 | 8043947 PIN, BOOM HANDLE CAPTURE |
| 5 | 8 | U120020 NUT, LOCK NY, 5/8-11 ZP G2 |
| 6 | 16 | U200140 WASHER, FLAT 5/8 ZP |
| 7 | 2 | 8041938 GASKET, FLANGE 4" |
| 8 | 1 | 8041937 FLANGE, 4" PVC |
| 9 | 1 | 8046638 BOOM HOSE MOUNT PLATE WELDMENT |
| 10 | 8 | U001250 SCREW,HC 5/8-11 X 3.00 ZP G5 |
| 11 | 1 | 8046769 HOSE VAC AG SUCTION 4"-42"LG |
| 12 | 1 | 8046444 CAMLOCK 4" AL FCAM X MBARB |
| 13 | 2 | 8042606 HOSE CLAMP T-BOLT 4" |
| 14 | 4 | U000900 SCREW,HC 1/2-13 X 2.50 ZP G5 |
| 15 | 8 | U200100 WASHER |
| 16 | 4 | U160018 NUT, LOCK 1/2-13 NY ZP |
| 17 | 1 | 8046612 BOOM PIVOT END WELDMENT |
| 18 | 1 | 8046603 BOOM PIVOT END #1 |
| 19 | 1 | 8046606 BOOM PIVOT END #2 |
| 20 | 2 | U000635 SCREW,HC 3/8-16 X 6.5 ZP GR5 |
| 21 | 4 | 8046636 BOLT, BOOM PIVOT END SPRING |
| 22 | 1 | 8046771 SPRING, 3/8 X 5" 480LBs |
| 23 | 2 | U120110 NUT, LOCK 3/8-16 NY ZP |
| 24 | 1 | 8046770 SPRING, 3/8 X 5" 395LBs |
| 25 | 4 | U120040 NUT, LOCK 3/4-10 NY ZP GR2 |
| 26 | 8 | U200160 WASHER, FLAT 3/4 ZP |

OPTIONS

BOOM ASSEMBLY

PIVOT ARM



OPTIONS

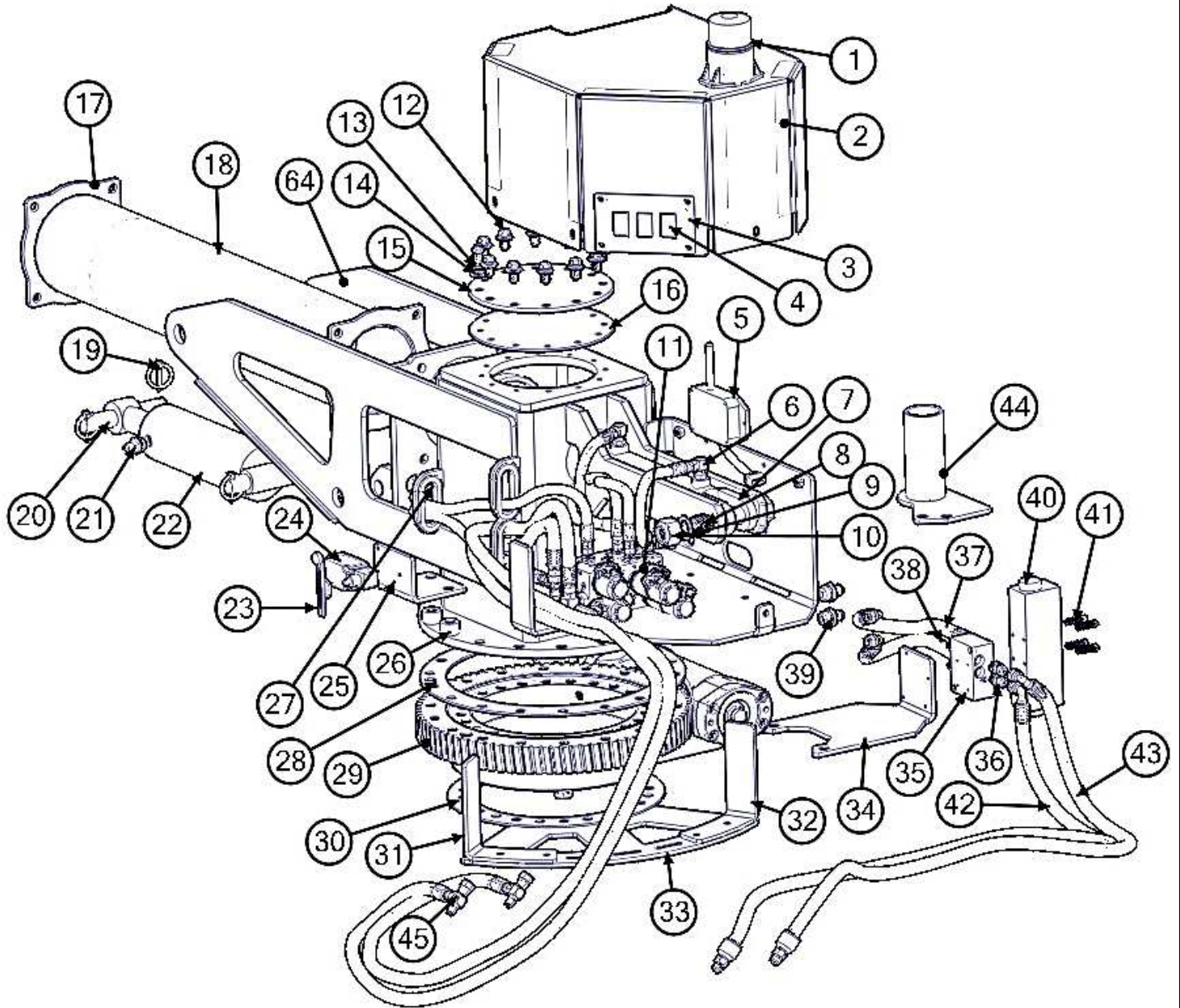
BOOM ASSEMBLY

PIVOT ARM

| BOM ID | Qty | Name |
|--------|-----|--|
| 1 | 1 | 8046582 BOOM PIVOT ARM LP |
| 2 | 2 | 8041883 BUSHING, BRONZE 1 1/4 X 1 X .63 FL |
| 3 | 2 | 8046634 PIN, BOOM PIVOT |
| 4 | 4 | U340050 PIN LINCH 3/16 X 1 9/16 ZP |
| 5 | 2 | 8041990 BOOM PIVOT CYLINDER ROD PIN |
| 6 | 1 | 8041926 BOOM-CYLINDER WX |
| 7 | 1 | 8046635 BRACKET, BOOM CRADLE FOOT |
| 8 | 16 | U030015 SCREW,SFH 1/4-20 X .750 G5 |
| 9 | 2 | 8041986 GLIDE SHEET |
| 10 | 8 | U000935 SCREW,HC 1/2-13 X 3.00 ZP G8 |
| 11 | 8 | U200100 WASHER, FLAT 1/2 ZP |
| 12 | 4 | U000980 SCREW,HC 1/2-13 X 4.50 ZP G5 |
| 13 | 4 | U200100 WASHER, FLAT 1/2 ZP |
| 14 | 4 | 8030226 WHEEL, PLASTIC FLUIDSWEEPER |
| 15 | 2 | 8046627 BOOM EXT. ARM CAPTURE LP |
| 16 | 4 | 8046624 BOOM CAM ROLLER SPACER |
| 17 | 2 | T400611 REDUCER, 8MB-4MJ |
| 18 | 1 | 8041956 BOOM PIVOT ARM CYL. RETURN PLATE |
| 19 | 2 | U120110 NUT, LOCK 3/8-16 NY ZP |
| 20 | 4 | U200060 WASHER, FLAT 3/8 ZP |
| 21 | 2 | U000440 SCREW,HC 3/8-16 X 1.25 ZP G5 |
| 22 | 2 | U200100 WASHER, FLAT 1/2 ZP |
| 23 | 2 | U001020 SCREW,HC 1/2-13 X 5.50 ZP G5 |
| 24 | 1 | 8041963 BOOM PACKING GLAND |
| 25 | 4 | 8041947 BOOM PACKING RING |
| 26 | 3 | 8041945 SLEEVE, PLASTIC BOOM SEAL |

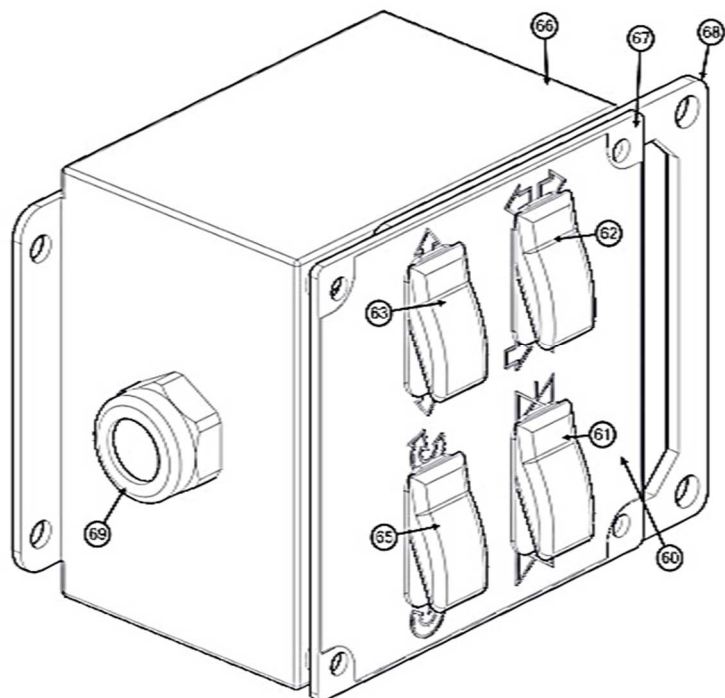
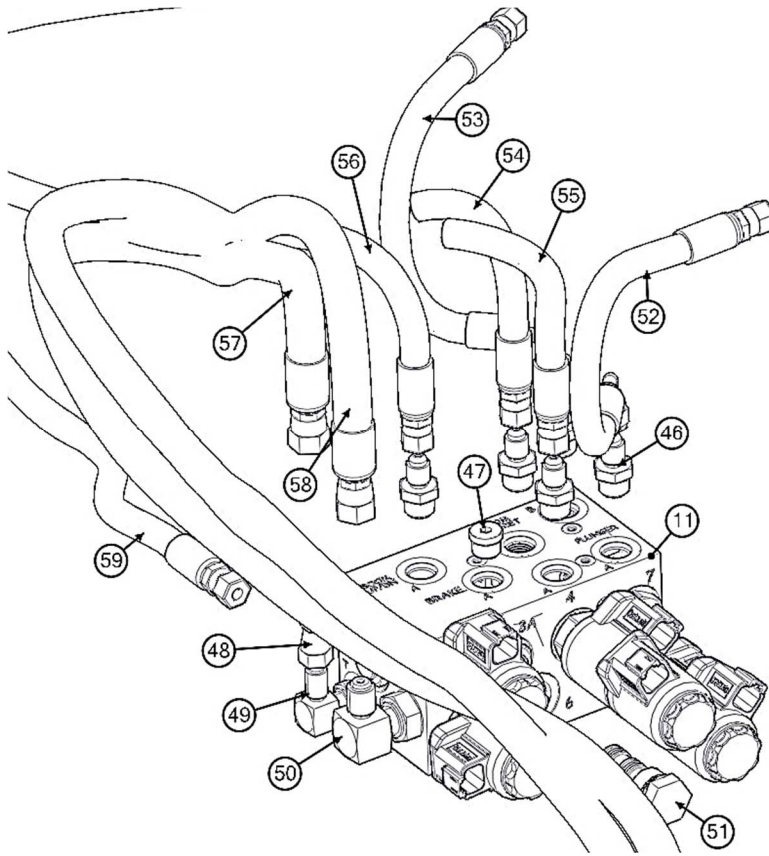
OPTIONS

BOOM ASSEMBLY
TURRET HYD ROTATION



OPTIONS

BOOM ASSEMBLY TURRET HYD ROTATION



OPTIONS

BOOM ASSEMBLY TURRET HYD ROTATION

| BOM ID | Qty | Name |
|--------|-----|--|
| 1 | 1 | 8043139 STROBE LIGHT DEUTSCH |
| 2 | 1 | 8046644 COVER, BOOM LOW PROFILE |
| 3 | 1 | 8046696 CONTROL PANEL BOOM OVERRIDE |
| 4 | 3 | X000290 PLUG, ROCKER HOLE |
| 5 | 1 | 8092806 RECEIVER, BOOM HR 100 |
| 6 | 2 | T401660 ELBOW, 90 6MB 4MJ |
| 7 | 1 | 8048198 CYLINDER, BOOM GATE VALVE |
| 8 | 1 | U001570 SCREW,HC 1-8 X 5.00 ZP |
| 9 | 1 | U200170 WASHER, FLAT 1.000 |
| 10 | 1 | U120060 NUT, LOCK 1-8 NY ZP G2 |
| 11 | 1 | 8047331 MANIFOLD, BOOM UPPER ASSY |
| 12 | 12 | U000420 SCREW,HC 3/8-16 X 1.00 ZP G5 |
| 13 | 12 | U210060 WASHER, LOCK 3/8 ZP |
| 14 | 12 | U200060 WASHER, FLAT 3/8 ZP |
| 15 | 1 | 8044471 COVER, BOOM TURRET CLEANOUT |
| 16 | 1 | 8044475 GASKET, BOOM TURRET CLEANOUT |
| 17 | 2 | 8041958 BOOM FLEX HOSE ADAPTER WLDMT |
| 18 | 1 | 8046758 BOOM HOSE 6-32 1/2" |
| 19 | 4 | U340050 PIN LINCH 3/16 X 1 9/16 ZP |
| 20 | 2 | 8041977 BOOM PIVOT CYL BASE PIN |
| 21 | 2 | T400611 REDUCER, 8MB-4MJ |
| 22 | 1 | 8046597 CYLINDER, HYD BOOM 3 X 6 |
| 23 | 1 | 8042432 LEVER, BOOM LIMIT SWITCH |
| 24 | 1 | 8042431 SWITCH, LIMIT BOOM |
| 25 | 1 | 8042360 BRACKET, BOOM LIMIT SWITCH |
| 26 | 2 | 8042376 SPACER, LIMIT SWITCH BRACKET |
| 27 | 3 | 8042812 GROMMET, 2"ID X 3"OD X 1/4"WOG |
| 28 | 1 | 8043780 GASKET, BOOM BEARING (TOP) |
| 29 | 1 | 8042231 BOOM BEARING HYD ROTATION |
| 30 | 1 | 8043781 GASKET, BOOM BEARING (BOTTOM) |
| 31 | 1 | 8042357 BOOM ROTATION STOP BRACKET |
| 32 | 1 | 8042359 BOOM ROTATION STOP BRACKET OPP |
| 33 | 1 | 8042351 BOOM ROTATION STOP BASE PLATE |
| 34 | 1 | 8042344 BOOM HYD MANIFOLD MTG PLATE |
| 35 | 1 | 8049329 MANIFOLD SUBPLATE D03 BOOM HR |

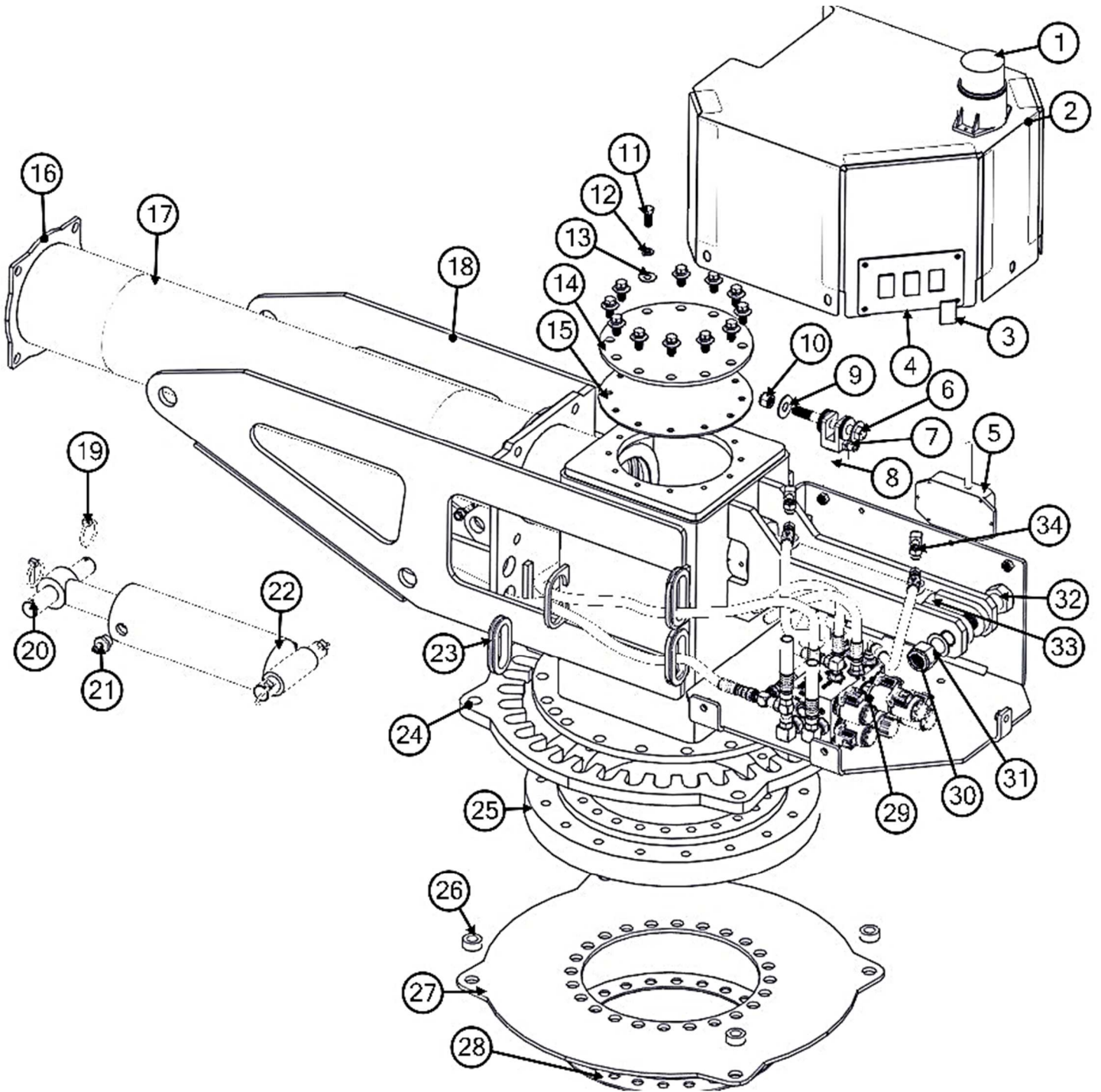
| BOM ID | Qty | Name |
|--------|-----|--|
| 36 | 4 | T400037 UNION 6MB 6MJ |
| 37 | 1 | 8044997 HOSE ASSY VAC 6-13 ST-90 |
| 38 | 1 | 8044997 HOSE ASSY VAC 6-13 ST-90 |
| 39 | 2 | T400035 REDUCER 10MB-6MJ |
| 40 | 1 | 8049328 VALVE DIRECTIONAL BOOM HR D03 |
| 41 | 4 | U010007 SCREW, HSH #10-24 X 1.25 |
| 42 | 1 | 8090246 HOSE ASSY VAC 6-48 ST-90 |
| 43 | 1 | 8090246 HOSE ASSY VAC 6-48 ST-90 |
| 44 | 1 | 8049418 HOSE ROUTING BRACKET WELDMENT |
| 45 | 2 | T402153 TEE 6FJ 6MJ 6MJ |
| 46 | 5 | T400550 REDUCER 6MB-4MJ |
| 47 | 1 | T405092 PLUG 6MB-HEX SOCKET HOLLOW |
| 48 | 1 | T402010 TEE 4FJ-4MJ-4MJ |
| 49 | 1 | T401660 ELBOW, 90 6MB 4MJ |
| 50 | 1 | T401250 ELBOW, 90 6MB 6MJ |
| 51 | 1 | 8049370 PLUG, CAVITY #8 3-WAY |
| 52 | 1 | 8047948 HOSE ASSY VAC 4-9 ST-90 |
| 53 | 1 | 8047949 HOSE ASSY VAC 4-11 ST-90 |
| 54 | 1 | 8049374 HOSE ASSY VAC 4-120 ST-90 |
| 55 | 1 | 8047951 HOSE ASSY VAC 4-95 ST-90 |
| 56 | 1 | 8047714 HOSE ASSY VAC 4-38 ST-90 |
| 57 | 1 | 8091929 HOSE ASSY VAC 6-140 ST(MJ)-ST |
| 58 | 1 | 8091929 HOSE ASSY VAC 6-140 ST(MJ)-ST |
| 59 | 1 | 8047714 HOSE ASSY VAC 4-38 ST-90 |
| 60 | 1 | J200210 DECAL, REMOTE BOOM CONTROL HYD. ROT. |
| 61 | 1 | X000273 SWITCH, ROCKER (GATE VALVE) |
| 62 | 1 | X000274 SWITCH, ROCKER (EXT/RETRACT) |
| 63 | 1 | X000274 SWITCH, ROCKER (UP/DOWN) |
| 64 | 1 | 8048371 BOOM TURRET HYD ROTATION |
| 65 | 1 | X000274 SWITCH, ROCKER (ROTATE) |
| 66 | 1 | 8092698 BOX, BOOM CONTROLS |
| 67 | 1 | 8092677 PLATE, COVER |
| 68 | 1 | 8092678 GASKET, CONTROL BOX |
| 69 | 1 | X000154 CONNECTOR, STRAIN RELIEF 1" |

HARNESSES FOR HYDRAULIC ROT. BOOM

X200129 -HARNES 300M
X200130 -HARNES 300M INTERMED ATE
X200132 -HARNES 300M SWITCH 3CX

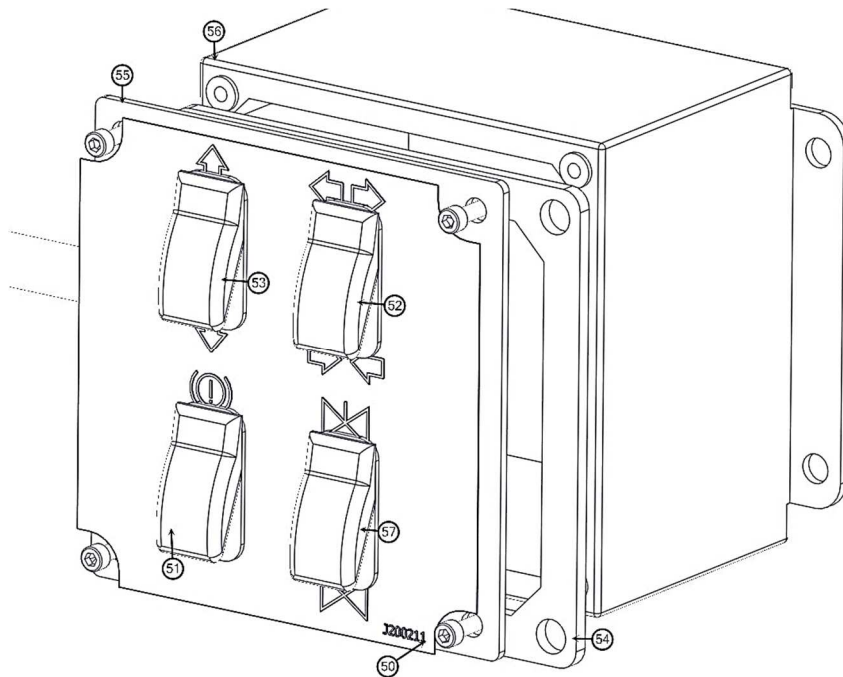
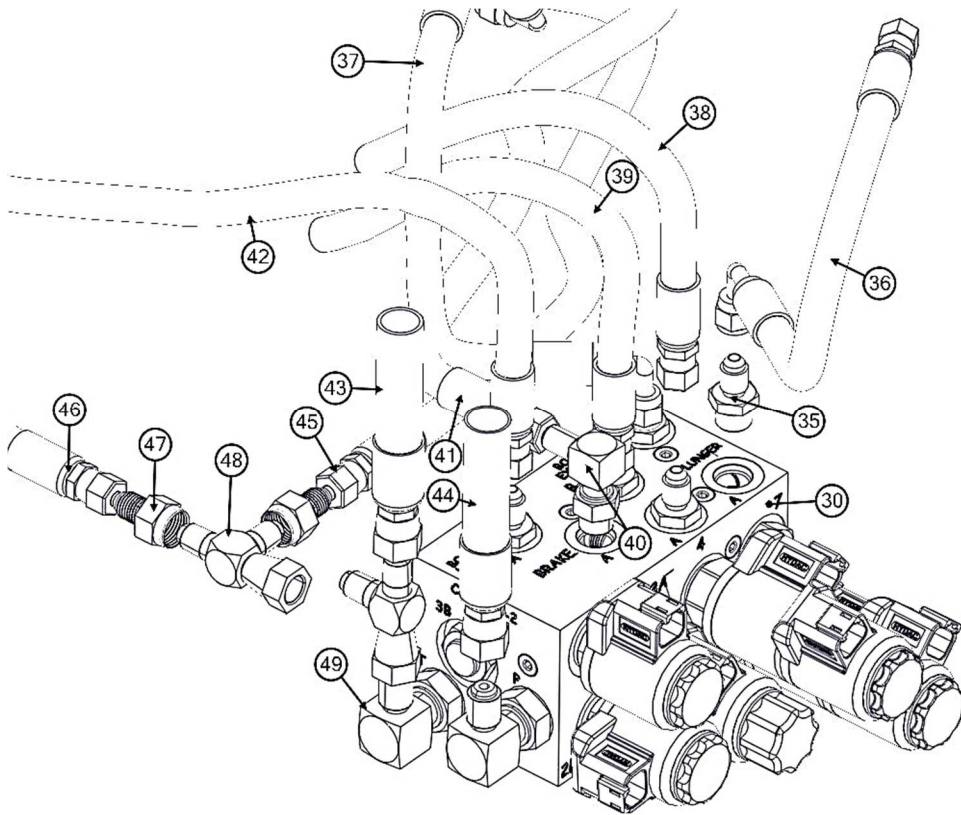
OPTIONS

BOOM ASSEMBLY
TURRET MANUAL ROTATION



OPTIONS

BOOM ASSEMBLY TURRET MANUAL ROTATION



OPTIONS

| BOM ID | Qty | Name |
|--------|-----|---|
| 1 | 1 | 8043139 STROBE LIGHT DEUTSCH |
| 2 | 1 | 8046644 BOOM COVER WELDMENT |
| 3 | 3 | X000290 PLUG, ROCKER HOLE |
| 4 | 1 | 8046696 PANEL CONTROL BOOM OVERRIDE |
| 5 | 1 | 8092804 RECEIVER BOOM MANUAL 100 |
| 6 | 1 | U000980 SCREW,HC .500-13X4.50 ZP G5 U000980 |
| 7 | 2 | T400570 UNION 4MB-4MJ |
| 8 | 1 | 8043052 CYLINDER, BOOM BRAKE |
| 9 | 8 | U200100 WASHER, FLAT 1/2 ZP |
| 10 | 1 | U160018 NUT, LOCK 1/2-13 NY ZP |
| 11 | 12 | U000420 SCREW,HC 3/8-16 X 1.00 |
| 12 | 12 | U210060 WASHER, LOCK 3/8 ZP |
| 13 | 12 | U200060 WASHER, FLAT 3/8 ZP |
| 14 | 1 | 8044471 COVER, CLEANOUT BOOM TURRET |
| 15 | 1 | 8044475 GASKET, BOOM TURRET CLEANOUT |
| 16 | 2 | 8041958 BOOM FLEX HOSE ADAPTER WELDMENT |
| 17 | 1 | 8042103 HOSE AG SUCTION 6-32 1/2" |
| 18 | 1 | 8046571 BOOM TURRET LOW PROFILE |
| 19 | 4 | U340050 PIN LINCH 3/16 X 1 9/16" |
| 20 | 2 | 8041977 BOOM PIVOT CYLINDER BASE PIN |
| 21 | 2 | T100611 REDUCER, 8MB-4MJ |
| 22 | 1 | 8046597 CYLINDER, HYD BOOM 3 X 6 |
| 23 | 5 | 8042812 GROMMET 2"ID 3"OD 1/4"WOG |
| 24 | 1 | 8046688 BRACKET BOOM MNT BRAKE RING |
| 25 | 1 | 8042234 SWIVEL BEARING |
| 27 | 4 | 8030315 SKID-WATER TANK CLEVIS TUBE |
| 28 | 1 | 8046690 BRACKET BOOM LWR STOP RING |
| 29 | 1 | 8043781 GASKET, BOOMBRG BOT SMALL 13.5" |
| 30 | 1 | 8047331 MANIFOLD ASSY BOOM (UPPER) |

BOOM ASSEMBLY

TURRET MANUAL ROTATION

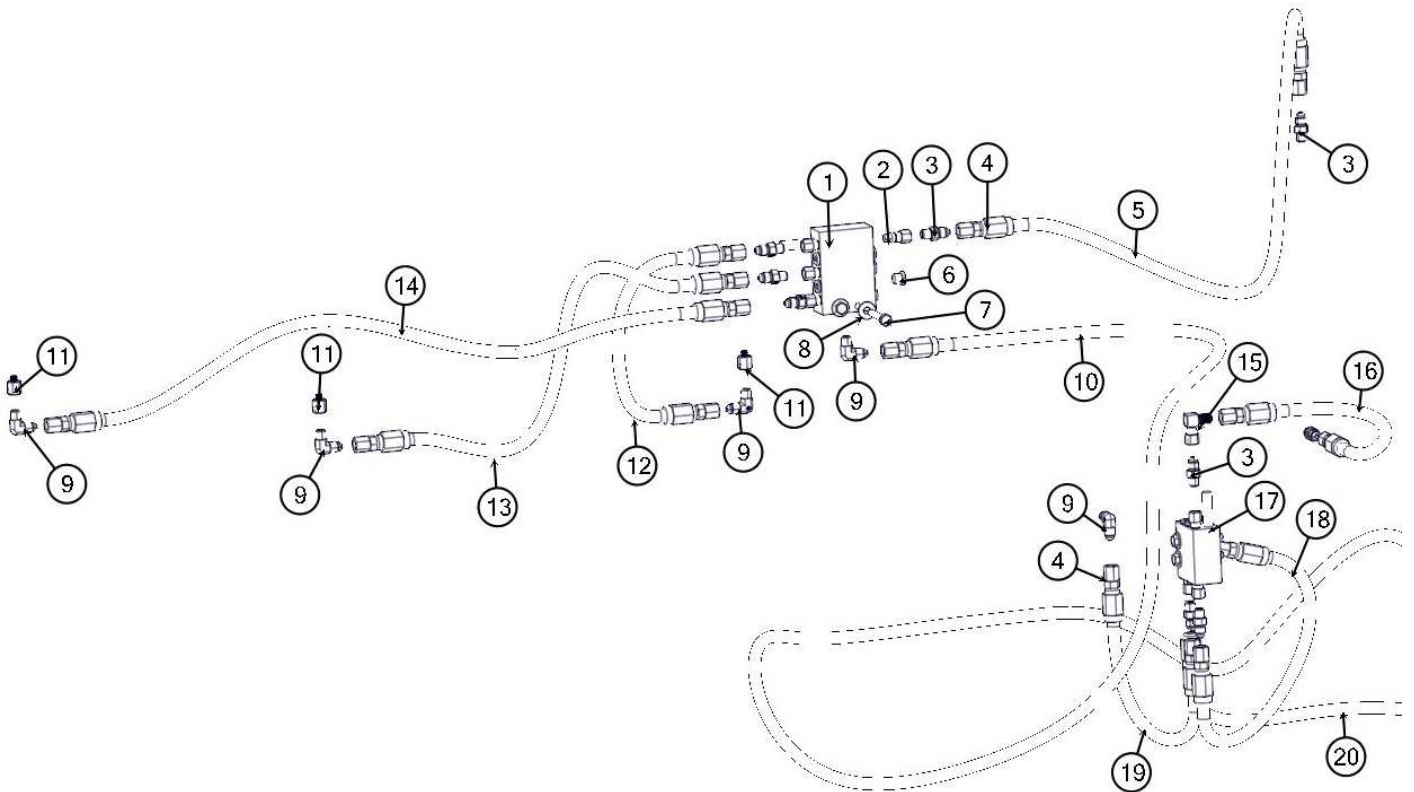
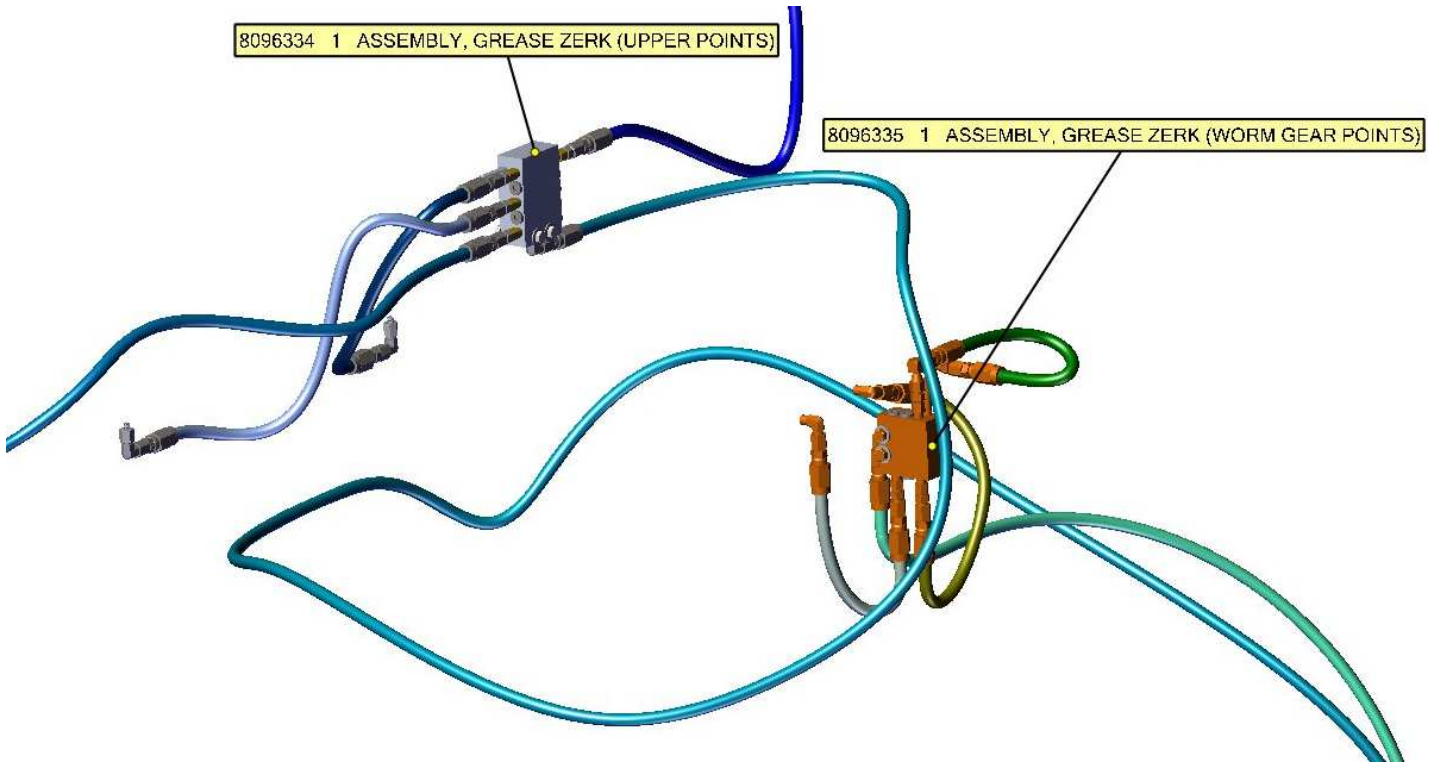
| BOM ID | Qty | Name |
|--------|-----|--|
| 31 | 1 | U120060 NUT, LOCK 1-8 NY ZP G2 |
| 32 | 2 | U200170 WASHER, FLAT 1.000 |
| 33 | 1 | U001570 SCREW,HC 1-8 X 5.00 ZP |
| 34 | 1 | 8048198 CYLINDER, HYD 2" X 8" |
| 35 | 4 | T400550 REDUCER 6MB-4MJ |
| 36 | 1 | 8047948 HOSE ASSY VAC 4-9" ST-90 |
| 37 | 1 | 8047949 HOSE ASSY VAC 4-11" ST-90 |
| 38 | 1 | 8047951 HOSE ASSY VAC 4-95" ST-90 |
| 39 | 1 | 8049374 HOSE ASSY VAC 4-120" ST-90 |
| 40 | 1 | T401660 ELBOW, 90 6MB-4MJ |
| 41 | 1 | 8044745 HOSE ASSY VAC 4-20" ST-90 |
| 42 | 1 | 8047714 HOSE ASSY VAC 4-38" ST-90 |
| 43 | 1 | 8049287 HOSE ASSY VAC 6-50" ST-90 |
| 44 | 1 | 8049287 HOSE ASSY VAC 6-50" ST-90 |
| 45 | 1 | 8044745 HOSE ASSY VAC 4-20" ST-90 |
| 46 | 1 | 8047714 HOSE ASSY VAC 4-38" ST-90 |
| 47 | 2 | T400022 REDUCER 6FJ-4MJ |
| 48 | 2 | T402153 TEE 6FJ-6MJ-6MJ |
| 49 | 2 | T401250 ELBOW, 90 6MB-6MJ |
| 50 | 1 | J200211 DECAL, REMOTE BOOM CONTROL MANUAL ROT. |
| 51 | 1 | X000274 SWITCH, ROCKER (BRAKE) |
| 52 | 1 | X000274 SWITCH, ROCKER (EXTEND/RETRACT) |
| 53 | 1 | X000274 SWITCH, ROCKER (UP/DOWN) |
| 54 | 1 | 8092678 GASKET, BOOM CONTROL BOX |
| 55 | 1 | 8092677 COVER PLATE |
| 56 | 1 | 8092698 BOX, BOOM CONTROLS |
| 57 | 1 | X000271 SWITCH, ROCKER (GATE VALVE) |

HARNESSES FOR BOOM MANUAL ROTATION

X200129 HARNESSES BOOM
X200130 HARNESSES BOOM INTERMEDIATE
X200132 HARNESSES BOOM SWITCH BOX

OPTIONS

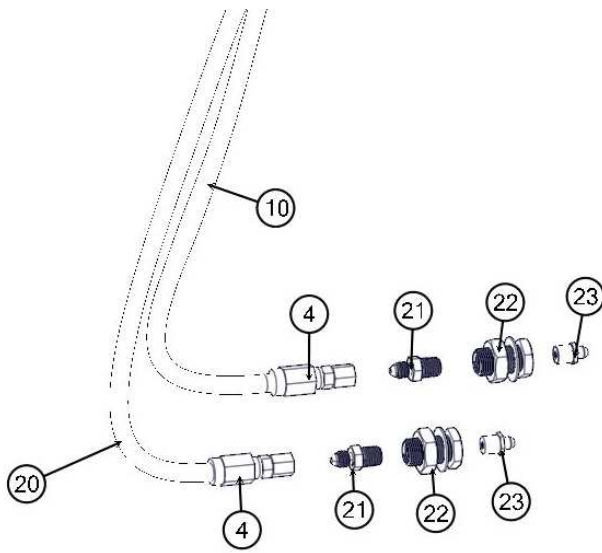
BOOM ASSEMBLY GREASE ZERKS



OPTIONS

BOOM ASSEMBLY

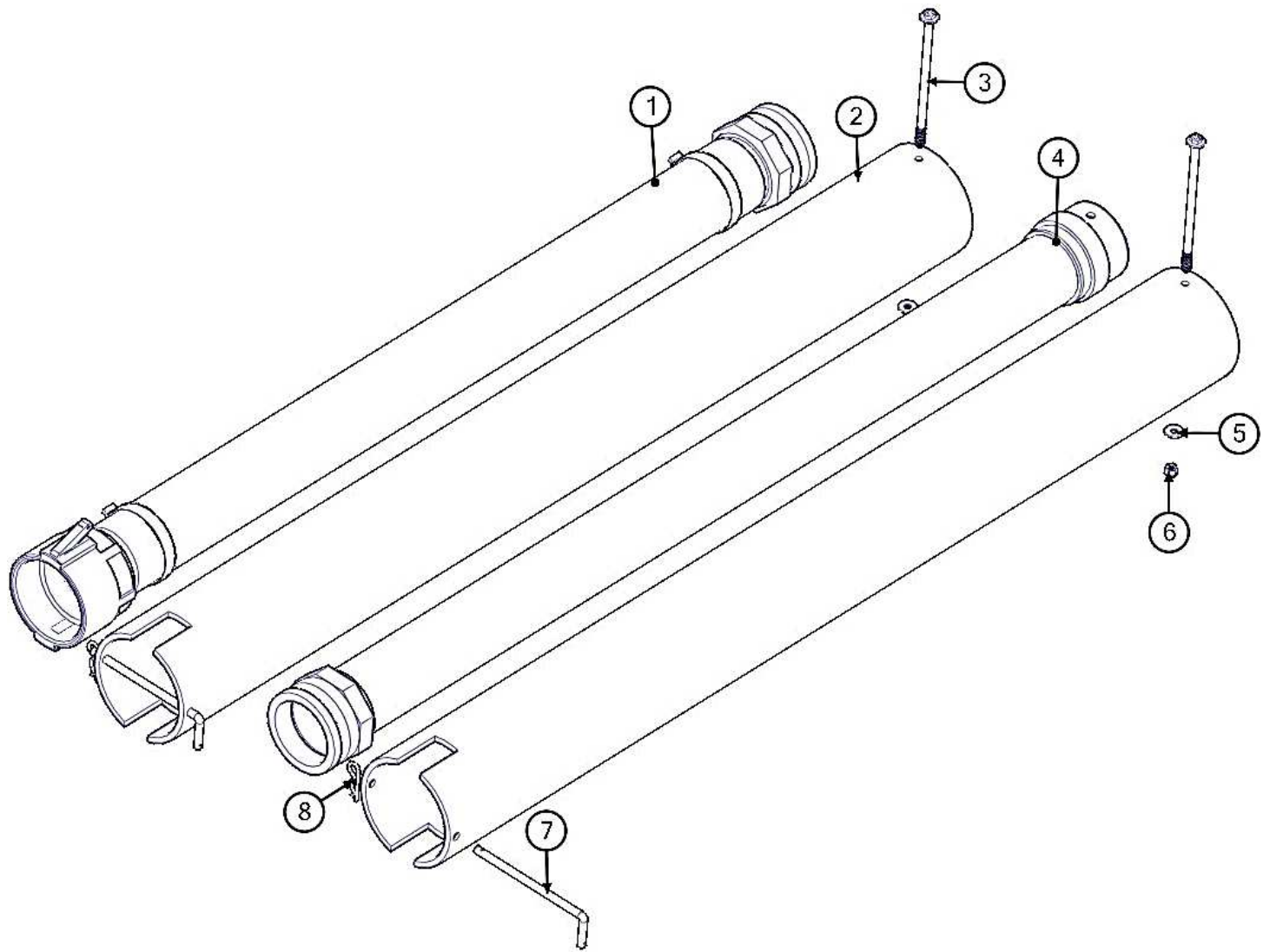
GREASE ZERKS



| BOM ID | Qty | Description |
|--------|-----|--|
| 1 | 1 | 8096338 VALVE, DIVIDER GREASE 10 OUTLETS |
| 2 | 7 | 8096340 FITTING, PVB OUTLET W/CV M10X1 - 1/8NPTF |
| 3 | 9 | T400010 REDUCER, 1/8"MP - 1/4"MJ |
| 4 | 18 | 8096341 FITTING, HOSE REUSEABLE 4FJ |
| 5 | 1 | 8096342-030.00 HOSE, 1/4"ID X 30"LG |
| 6 | 9 | 8096339 PLUG, "C" PORTING |
| 7 | 4 | U000120 SCREW, HC .250-20 X 2.00 ZP G5 |
| 8 | 8 | U200020 WASHER, FLAT .250 ZP |
| 9 | 7 | T401095 ELBOW, 90 1/8"MP - 1/4"MJ |
| 10 | 1 | 8096342-185.00 HOSE, 1/4"ID X 185"LG |
| 11 | 3 | T500211 FITTING, GREASE STR ADAPTER |
| 12 | 1 | 8096342-022.00 HOSE, 1/4"ID X 22"LG |
| 13 | 1 | 8096342-022.00 HOSE, 1/4"ID X 22"LG |
| 14 | 1 | 8096342-034.00 HOSE, 1/4"ID X 34"LG |
| 15 | 1 | T401225 ELBOW, 90 4FJ - 4MJ |
| 16 | 1 | 8096342-016.00 HOSE, 1/4"ID X 16"LG |
| 17 | 1 | 8096337 VALVE, DIVIDER GREASE 6 OUTLETS |
| 18 | 1 | 8096342-016.00 HOSE, 1/4"ID X 16"LG |
| 19 | 1 | 8096342-013.00 HOSE, 1/4"ID X 13"LG |
| 20 | 1 | 8096342-080.00 HOSE, 1/4"ID X 80"LG |
| 21 | 2 | T400020 UNION, 4MP - 4MJ |
| 22 | 2 | T400383 BULKHEAD, 1/4"FP X 1/4"FP |
| 23 | 2 | T500100 FITTING, GREASE .250 NPT STR |

OPTIONS

BOOM ASSEMBLY
TOOLS

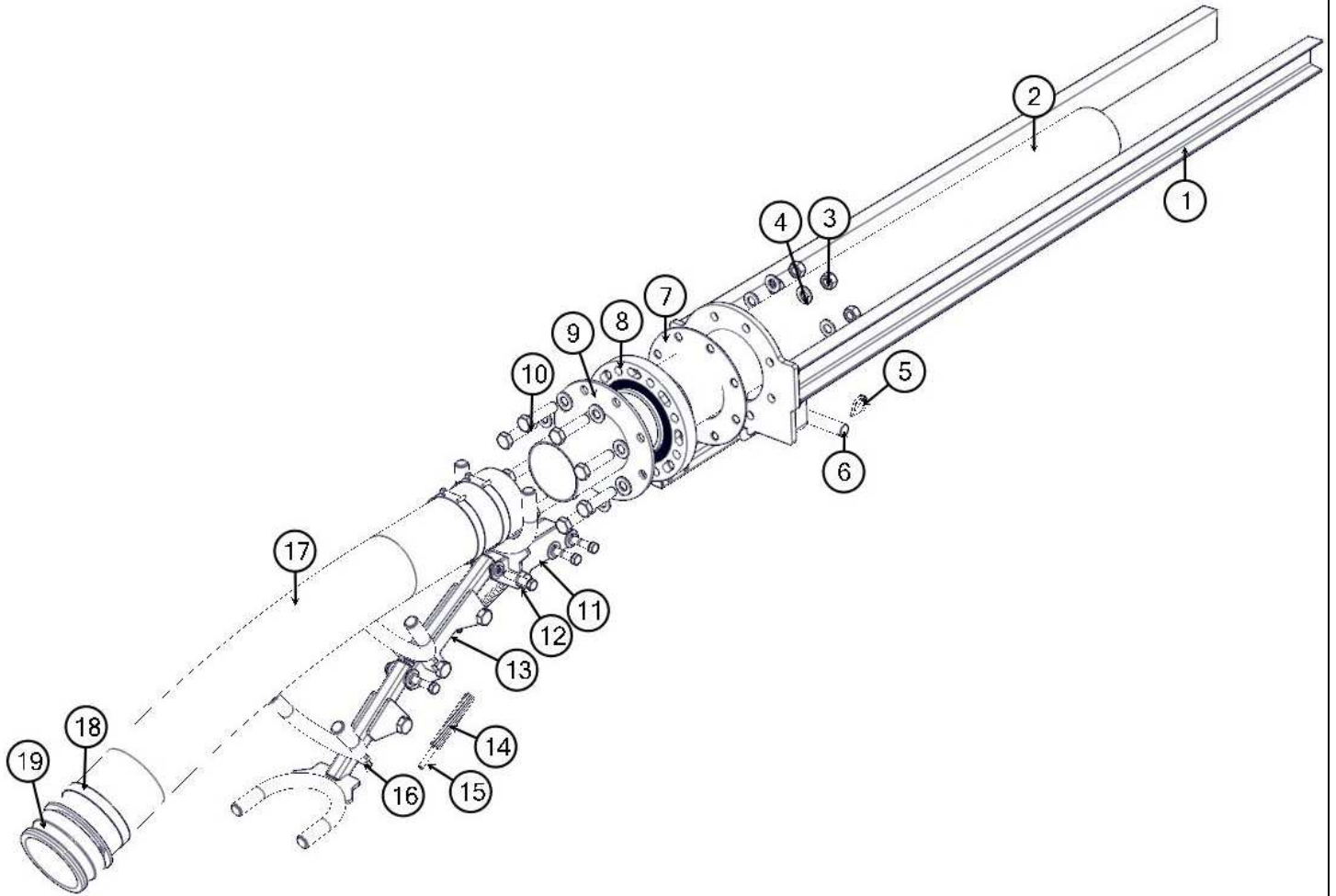


OPTIONS**BOOM ASSEMBLY****TOOLS**

| BOM ID | Qty | Name |
|--------|-----|---|
| 1 | 1 | 8042137 BOOM HOSE EXTENSION |
| 2 | 2 | 8042222 BOOM EXTENSION HOSE STORAGE |
| 3 | 2 | U000681 SCREW,HC 3/8-16 X 9.00 |
| 4 | 1 | 8042138 BOOM HOSE EXT. w_ 4in UNION PVC (5FT) |
| 5 | 4 | U200060 WASHER, FLAT 3/8 ZP |
| 6 | 2 | U120110 NUT, LOCK 3/8-16 NY ZP |
| 7 | 2 | 8041101 HOSE STORAGE RETAINING ROD |
| 8 | 2 | R700160 R-CLIP |

OPTIONS

BOOM ASSEMBLY
EXTENSION ARM 5"



OPTIONS

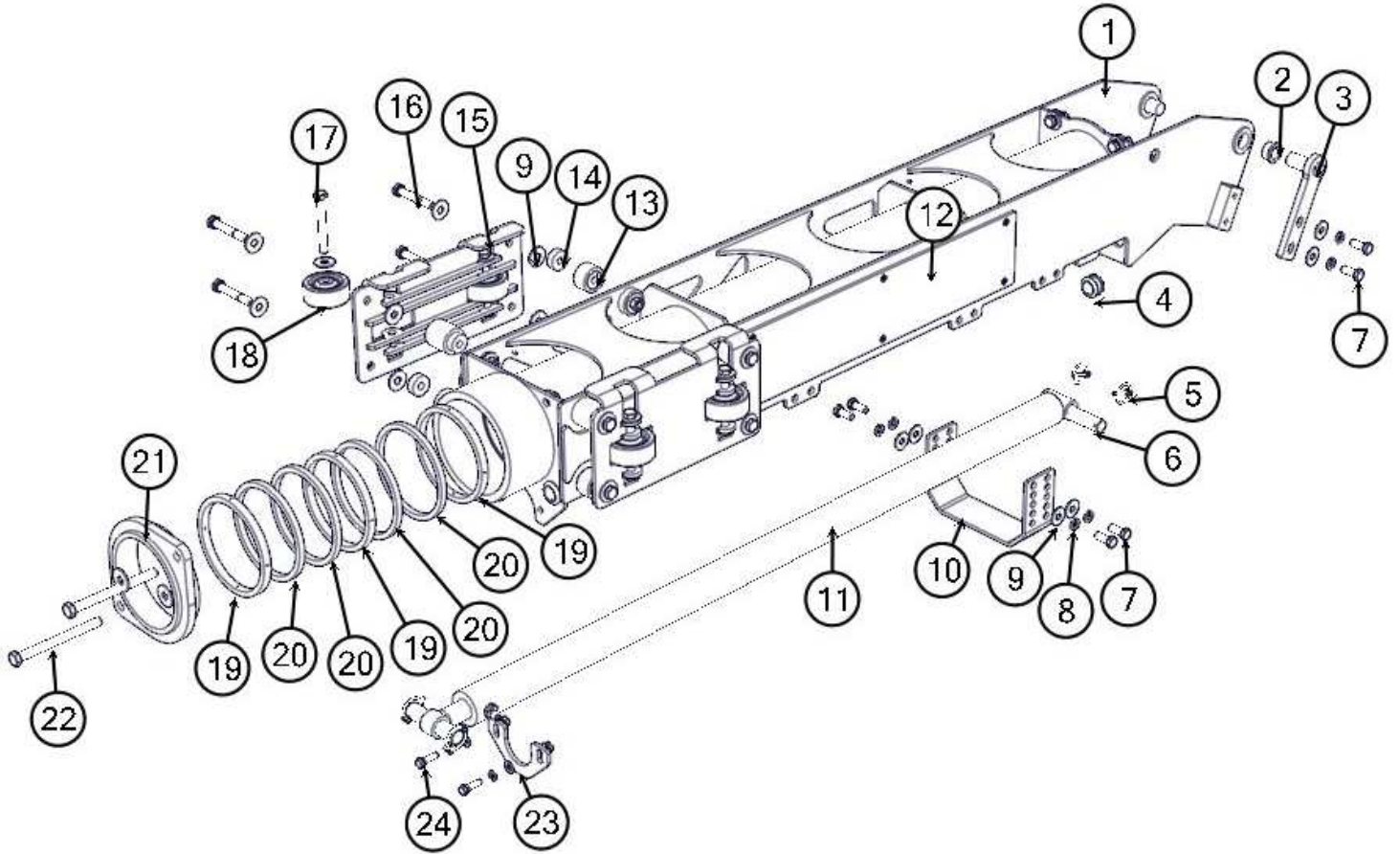
**BOOM ASSEMBLY
EXTENSION ARM 5"**

| BOM ID | Qty | Description |
|--------|-----|--|
| 1 | 1 | 8047655 WELDMENT, BOOM EXTENSION ARM 5" |
| 2 | 1 | 8047642 TUBE, PVC 5" BOOM 60"LG |
| 3 | 11 | U100200 NUT, HEX .750-10 ZP G2 |
| 4 | 16 | U200160 WASHER, FLAT .750 ZP |
| 5 | 2 | U340050 PIN LINCH 3/16 X 1 9/16 ZP |
| 6 | 1 | 8041990 BOOM PIVOT CYL ROD PIN |
| 7 | 1 | 8047647 GASKET, 5" PVC FLANGE |
| 8 | 1 | 8047644 FLANGE, 5" PVC BOLT |
| 9 | 1 | 8047648 MOUNT, 5" BOOM HOSE WELDMENT |
| 10 | 8 | U001450 SCREW, HC .750-10 X 3.00 ZP G8 |
| 11 | 1 | 8047645 WELDMENT, PIVOT END 5" BOOM |
| 12 | 4 | U000900 SCREW, HC .500-13 X 2.50 ZP G5 |
| 13 | 1 | 8047671 WELDMENT, PIVOT END 2 5" BOOM |
| 14 | 2 | 8046771 SPRING, 3/8-5.00" 480LB PER INCH |
| 15 | 2 | U000635 SCREW, HC .375-16 X 6.50 ZP CR5 |
| 16 | 1 | 8047672 WELDMENT, PIVOT END 3 5" BOOM |
| 17 | 1 | 8047674 HOSE AG SUCTION 5 - 45"LG 5"BOOM |
| 18 | 3 | 8047683 CLAMP HOSE T-BOLT 550 |
| 19 | 1 | 8047476 COUPLING, AL 5" MCAM X 5" BARB |

OPTIONS

BOOM ASSEMBLY

PIVOT ARM 5"



OPTIONS

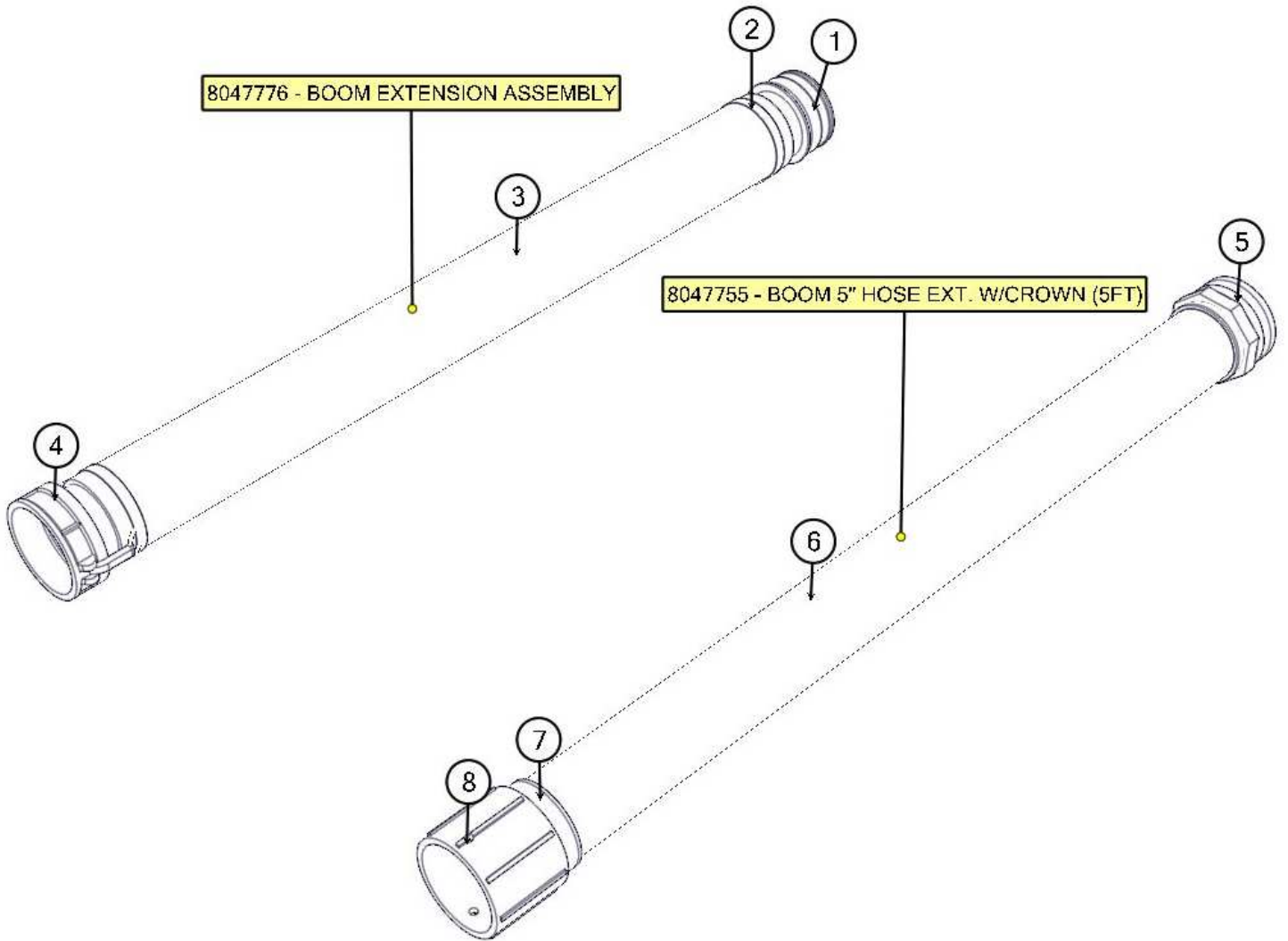
BOOM ASSEMBLY

PIVOT ARM 5"

| BOM ID | Qty | Description |
|--------|-----|--|
| 1 | 1 | 8047640 WELDMENT, BOOM 5" PIVOT ARM |
| 2 | 2 | 8041883 BUSHING, BRONZE 1.25 X 1.00 X .63 FL |
| 3 | 2 | 8046634 BOOM PIVOT PIN LP |
| 4 | 5 | 8041686 GROMMET, 1"ID X 1 1/2"OD X 1/2"WOG |
| 5 | 4 | U340050 PIN LINCH 3/16 X 1 9/16 ZP |
| 6 | 2 | 8041990 BOOM PIVOT CYL ROD END |
| 7 | 8 | U000820 SCREW, HC .500-13 X 1.25 ZP G5 |
| 8 | 13 | U210100 WASHER, LOCK .500 ZP |
| 9 | 50 | U200100 WASHER, FLAT .500 ZP |
| 10 | 1 | 8046635 BRACKET, BOOM CRADLE FOOT LP |
| 11 | 1 | 8041926 CYLINDER, HYD BOOM 2 X 48" |
| 12 | 2 | 8041986 GLIDE SHEET PIVOT ARM BOOM |
| 13 | 4 | W000055 BEARING, CAMROL 1.75 X 1.00 X .500 |
| 14 | 2 | 8046624 BOOM CAM ROLLER SPACER LP |
| 15 | 2 | 8046627 BOOM EXTENSION ARM CAPTURE LP |
| 16 | 8 | U000940 SCREW, HEX 1/2-13 X 3.50 |
| 17 | 4 | U000960 SCREW, HC .500-13 X 4.00 ZP G5 |
| 18 | 4 | 8030226 WHEEL PLASTIC FLUIDSWEEPER |
| 19 | 3 | 8047675 SLEEVE, PLASTIC 5" BOOM |
| 20 | 4 | 8047684 PACKING RING 5" BOOM |
| 21 | 1 | 8047678 PACKING GLAND 5" BOOM WELDMENT |
| 22 | 2 | U001020 SCREW, HC .500-13 X 5.50 ZP G5 |
| 23 | 1 | 8041956 BOOM PIVOT ARM CYL RET PLATE |
| 24 | 2 | U000440 SCREW, HC .375-16 X 1.25 ZP G5 |

OPTIONS

BOOM ASSEMBLY TOOLS 5"

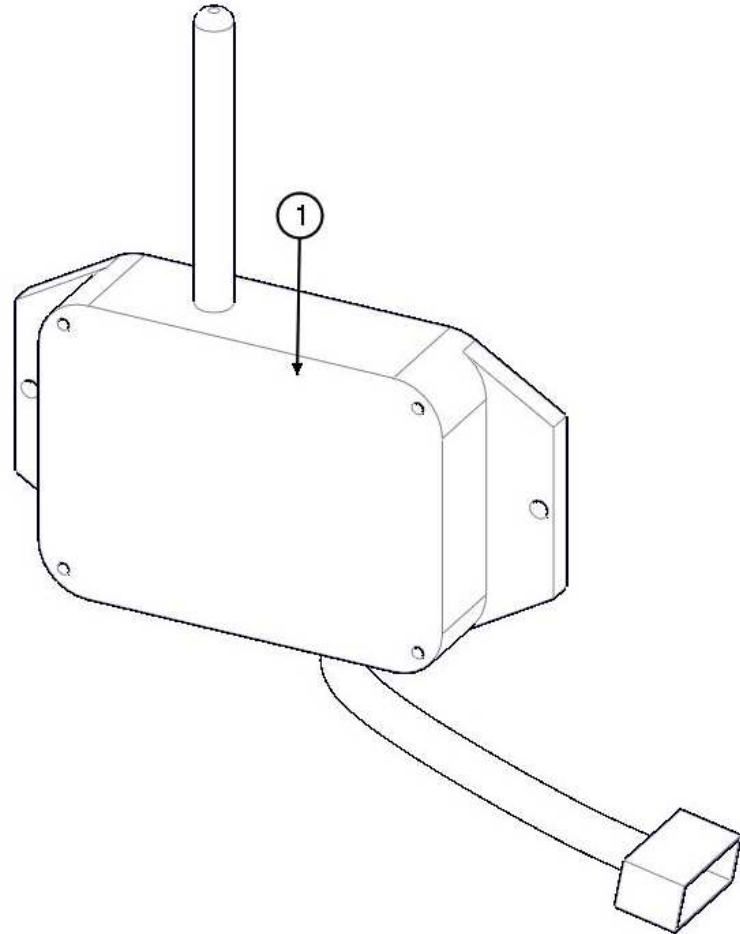
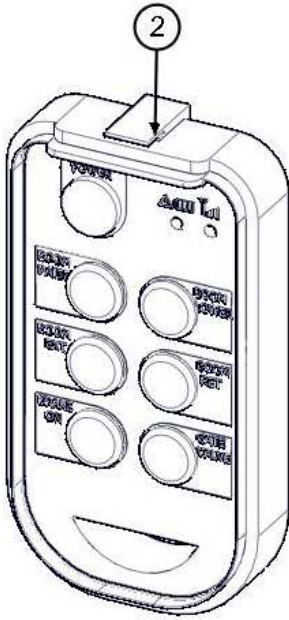


OPTIONS**BOOM ASSEMBLY****TOOLS 5"**

| BOM ID | Qty | Description |
|--------|-----|--|
| 1 | 1 | 8047476 COUPLING, AL 5" MCAM X 5" BARB |
| 2 | 2 | 8045459 CLAMP HOSE T-BOLT 575 |
| 3 | 1 | 8047777 HOSE, BOOM EXTENSION 57"LG |
| 4 | 1 | 8047475 COUPLING, AL 5" FCAM X 5" BARB |
| 5 | 1 | 8047473 COUPLING, AL 5" MCAM X 5" FNPT |
| 6 | 1 | 8047756 TUBE, ALUMINUM 5" X 57"LG |
| 7 | 1 | 8047757 5" HALF CLOSE NIPPLE |
| 8 | 1 | 8047758 5"FP - 5"FEM. SKT X FNPT - PVC W/HOLES |

OPTIONS

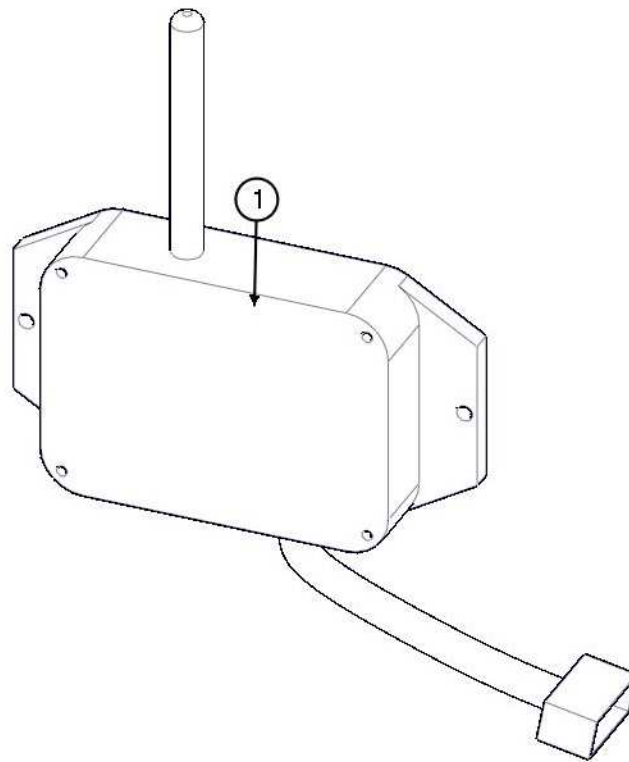
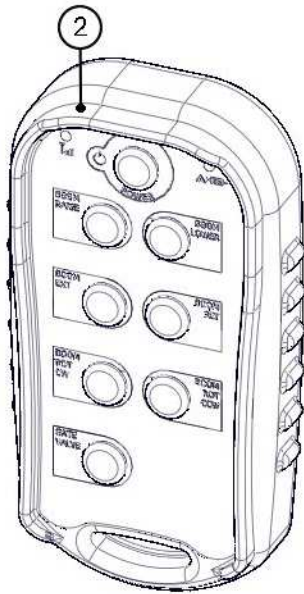
BOOM ASSEMBLY REMOTES



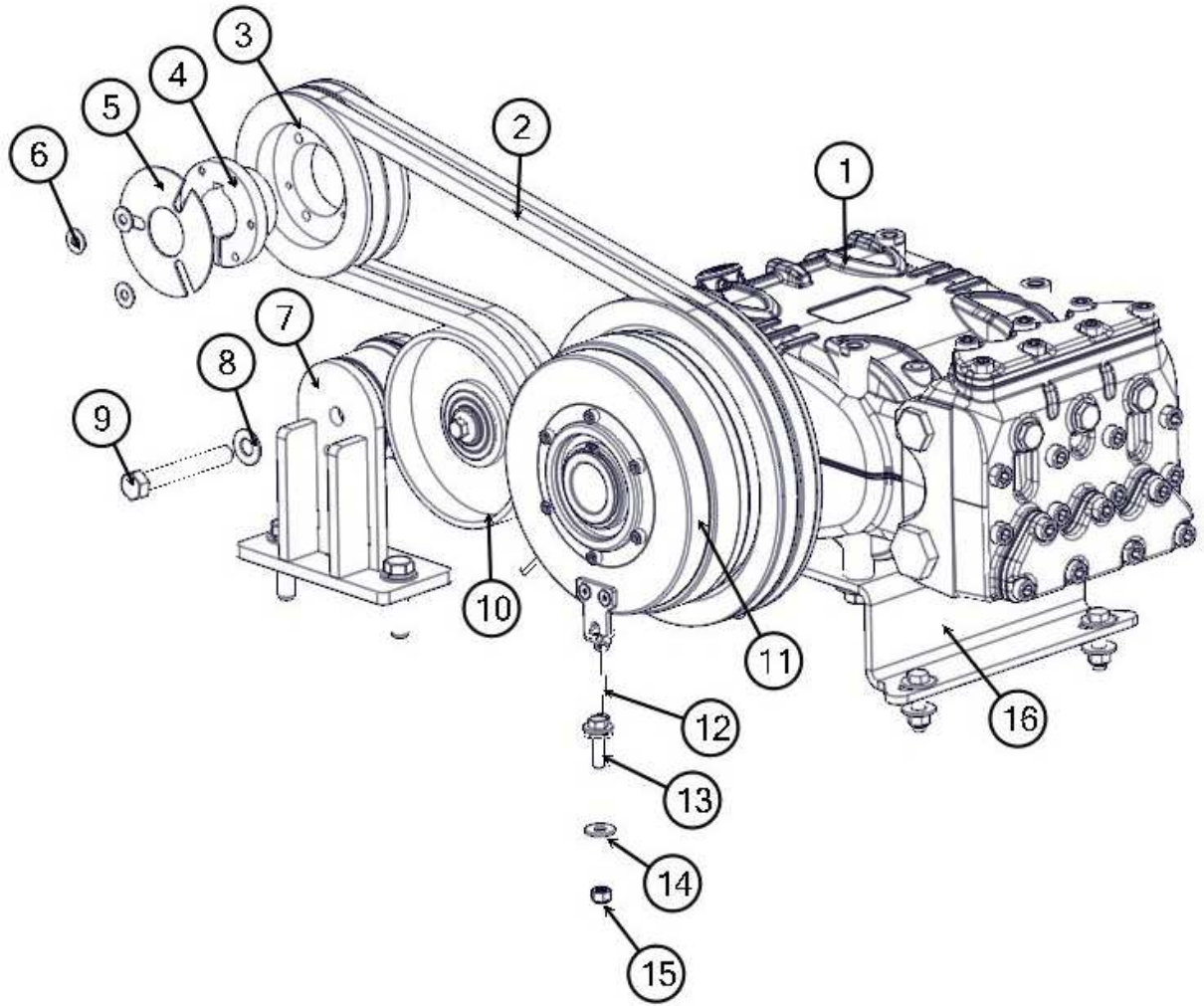
| BOM ID | Qty | Name |
|--------|-----|------------------------------------|
| 1 | 1 | 8092804 RECEIVER, BOOM MANUAL |
| 2 | 1 | 8092803 REMOTE CONTROL BOOM MANUAL |

OPTIONS

BOOM ASSEMBLY REMOTES

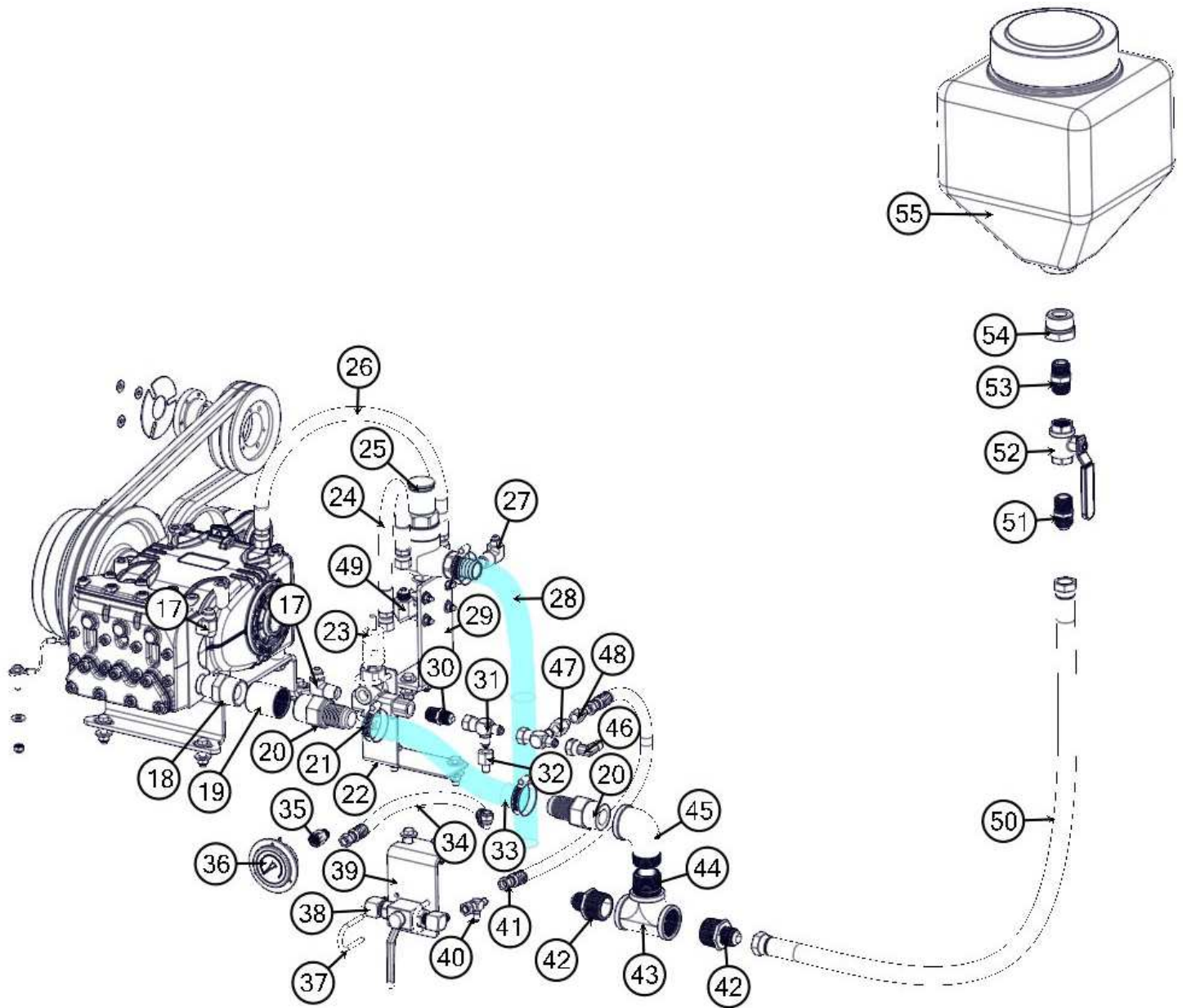


| BOM ID | Qty | Name |
|--------|-----|--|
| 1 | 1 | 8092806 RECEIVER HYD. ROT. BOOM |
| 2 | 1 | 8092805 REMOTE CONTROL BOOM HYD ROTATION |



OPTIONS

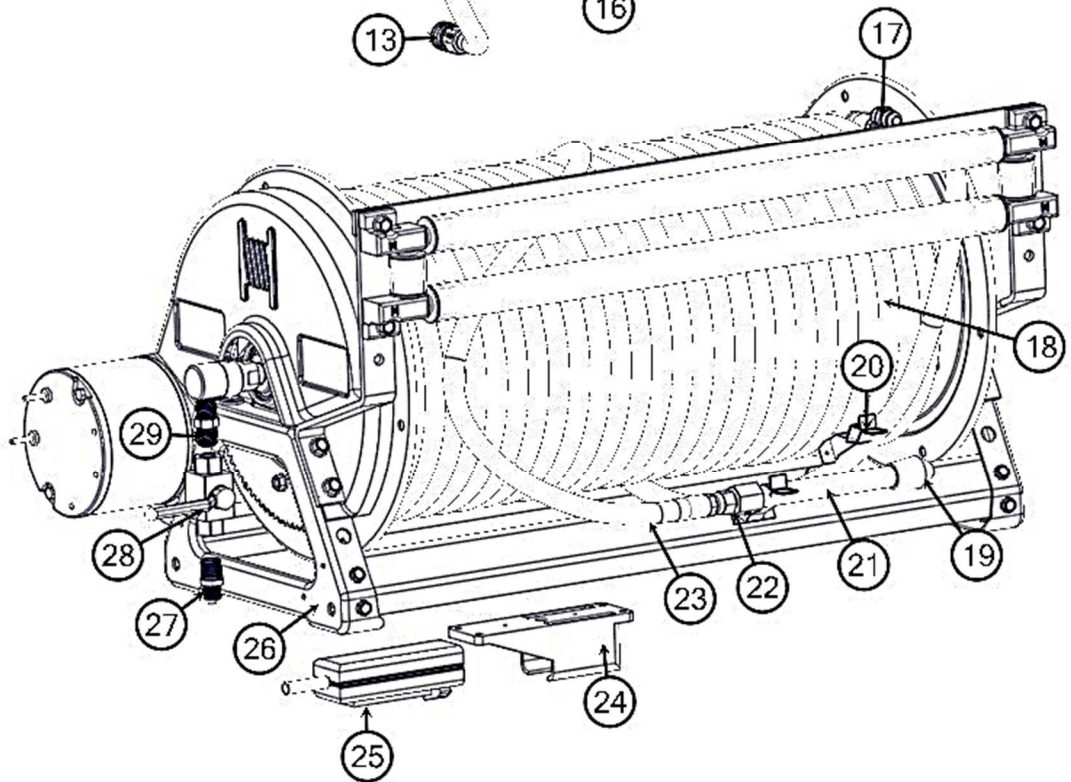
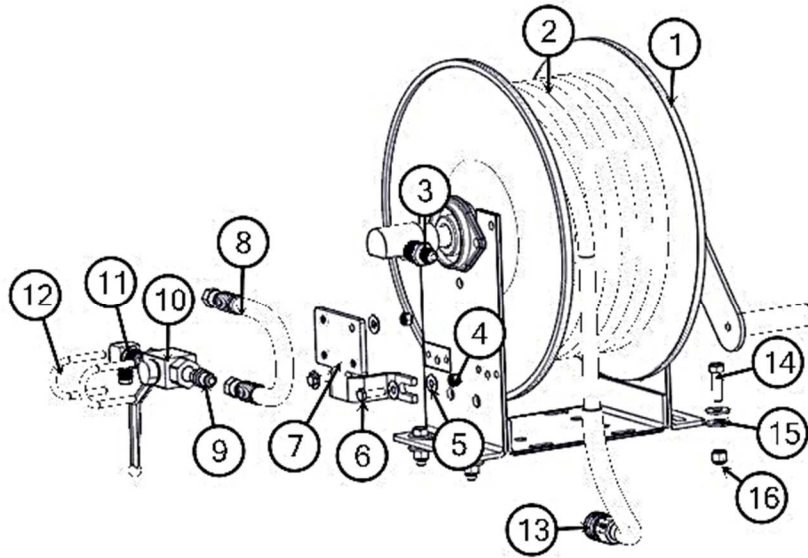
JETTER ASSEMBLY WATER PUMP



OPTIONS

JETTER ASSEMBLY WATER PUMP

| BOM ID | Qty | Description |
|--------|-----|---|
| 1 | 1 | 8042352 PUMP, WATER KF24A |
| 2 | 2 | 8049066 BELT, BP55 |
| 3 | 1 | 8090884 SHEAVE 5.50" DIA QD2/5V5.50 |
| 4 | 1 | 8040960 BUSHING, SDS 1 7/16" |
| 5 | 1 | 8048364 RETAINER FOR 1 1/2" BUSH HOIF |
| 6 | 3 | U200020 WASHER, FLAT .250 ZP |
| 7 | 1 | 8095960 WELDMENT, TENSIONER BELT BRACKET |
| 8 | 2 | U200110 WASHER, FLAT .500 ZP SAE HARD |
| 9 | 1 | U001655 SCREW, HC 12MM X 1.75 X 90MM G8.8 |
| 10 | 1 | 8096205 PULLEY, AUTO TENSIONER FLAT FACED |
| 11 | 1 | 8092240 CLUTCH, FRICTIC 30MM SHAFT 9.75 DR SHFAVF |
| 12 | 1 | X110010 CABLE, COATED 3/32"OD X 10"LG |
| 13 | 1 | U000220 SCREW, HC .312-18 X 1.25 ZP G5 |
| 14 | 2 | U200040 WASHER, FLAT .312 ZP |
| 15 | 1 | U110040 NUT, HEX .312-18 NY ZP G2 |
| 16 | 1 | 8096495 MOUNT, WATER PUMP JETTER |
| 17 | 2 | T401140 ELBOW, 90 8MP-8MJ |
| 18 | 1 | T400018 REDUCER, 1"WP - 1 1/4"MP |
| 19 | 1 | T422080 COUPLING, PIPE 1 1/4"FP |
| 20 | 2 | 8041312 FITTING, 1 1/4"MP - 1 1/4"HB |
| 21 | 3 | 8040677 CLAMP, HOSE 1 1/4 - 2 1/8 IID |
| 22 | 1 | 8093220 MOUNT, UNLOADER ENGINE PLATE |
| 23 | 1 | 8030341 VALVE, UNLOADER GREEN SPRING |
| 24 | 1 | 8096554 HOSE ASSY VAC 8 - 18" ST-ST |
| 25 | 1 | 8040550 VALVE, SAFETY RELIEF KF24A |
| 26 | 1 | 8096201 HOSE ASSY VAC 8 - 22"LG ST-ST |
| 27 | 1 | T401135 ELBOW, 90 8MP-6MJ |
| 28 | 1 | 8090497 HOSE VAC CLEAR VINYL 1 1/4 - 20'LG |
| 29 | 1 | 8096520 BRACKET, RELIEF VALVE |
| 30 | 1 | T400040 UNION, 8MP-8MJ |
| 31 | 2 | T402155 TEE, 8FJ-8MJ-8MJ |
| 32 | 1 | T400705 REDUCER, 8FJ-6MJ |
| 33 | 1 | 8096553 HOSE VAC CLEAR VINYL 1 1/4 - 13'LG |
| 34 | 1 | 8093442 HOSE ASSY VAC 6 - 15" SI-90 |
| 35 | 1 | 8031126 REDUCER, 4FP-6MJ |
| 36 | 1 | 8030372 GAUGE, 5000 PSI 2.5" LF CBM |
| 37 | 6 | U010017 U-BOLT .250-20 |
| 38 | 2 | T401102 ELBOW, 90 6MP-6MJ |
| 39 | 1 | 8040670 BRACKET, BALL VALVE |
| 40 | 1 | T402153 TEE, 6FJ-6MJ-6MJ |
| 41 | 1 | 8093417 HOSE ASSY VAC 6 - 26"LG ST-ST |
| 42 | 2 | T403017 REDUCER 20MP-12MJ |
| 43 | 1 | 8041310 TEE, 1.25 FP ALL LEGS GALVANIZE |
| 44 | 1 | T421040 NIPPLE, CLOSE 1 1/4"WP BLK |
| 45 | 1 | 8041311 ELBOW, 90 1.25 STREET EL GALVAN |
| 46 | 1 | T401525 ELBOW, 90 8FJ-8MJ |
| 47 | 1 | T400705 REDUCER, 8FJ-6MJ |
| 48 | 1 | 8042267 ORIFICE 6MJ-6FJ .094" |
| 49 | 1 | T401160 ELBOW, 90 12MP-8MJ |
| 50 | 1 | 8030539-041.00 HOSE, PUSHLOCK 12 X 41"LG |
| 51 | 1 | T400100 UNION, 12MP-12MJ |
| 52 | 1 | T000185 VALVE, BALL 3/4" FNPT BRASS |
| 53 | 1 | T400800 UNION 12MP-12WP |
| 54 | 1 | T403100 REDUCER 20MP-12FP |
| 55 | 1 | 8030394 TANK, ANTIFREEZE 4 GALL W/ CAP |



OPTIONS

JETTER ASSEMBLY

HOSE REEL

| BOM ID | Qty | Description |
|--------|-----|---|
| 1 | 1 | 8030879 REEL ONLY WATER HANNAY 3/8 X 75' |
| 2 | 1 | 8041830 HOSE ASSY 3/8" X 50' 4000PSI |
| 3 | 1 | T400029 REDUCER, 8MP - 6MJ |
| 4 | 2 | U120000 NUT, LOCK NY .250-20 ZP G2 |
| 5 | 8 | U200020 WASHER, FLAT .250 ZP |
| 6 | 2 | U000060 SCREW, HC .250-20 X 1.00 ZP G5 |
| 7 | 1 | 8046740 BALL VALVE BRACKET |
| 8 | 1 | 8046703 HOSE ASSY VAC 6-12" ST-ST |
| 9 | 1 | T400037 UNION, 6MB - 6MJ |
| 10 | 1 | 8030351 VALVE, BALL 3/8" 3K PSI |
| 11 | 1 | T401102 ELBOW, 90 6MP - 6MJ |
| 12 | 2 | U010017 U-BOLT, .250-20 |
| 13 | 1 | 8091355 QUICK DISCONNECT 3/8" FEMALE |
| 14 | 4 | U000440 SCREW, HC .375-16 X 1.25 ZP G5 |
| 15 | 8 | U200060 WASHER, FLAT .375 ZP |
| 16 | 4 | U110060 NUT, ST .375-16 ZP G2 |
| 17 | 1 | T400320 UNION, 8MJ - 8MJ |
| 18 | 1 | 8043213 HOSE, JETTER 1/2" X 485"LG 3K PSI |
| 19 | 1 | 8040546 JETTER NOZZLE 1/2"NPT SET FOR 12 GPM 3K PSI |
| 20 | 2 | 8040899 CLIP, TOOL HOLDER |
| 21 | 1 | 8032013 NIPPLE, STAINLESS 1/2" MP X 8"LG |
| 22 | 1 | T400505 UNION, 8MJ - 8FP |
| 23 | 1 | 8043212 HOSE, JETTER 1/2" X 15' 3K PSI |
| 24 | 1 | 8030840 HOLSTER, FOR FENNER UNIT |
| 25 | 1 | 8030859 HANDSET, HYD. POWER UNIT |
| 26 | 1 | 8047371 REEL ONLY JETTER 1/2" X 500' |
| 27 | 1 | T400040 UNION, 8MP - 8MJ |
| 28 | 1 | 8031197 VALVE, BALL 1/2" 3K PSI |
| 29 | 1 | T404020 UNION, 8MP - 8MP |

PAGE LEFT BLANK

WARRANTY RETURN GOODS POLICY

LIMITED WARRANTY

The Manufacturer warrants its products to be free from defects in material and workmanship for a period of twelve months from the date of shipment from the factory. The Manufacturer shall not be responsible for any damage resulting to or caused by its products by reason of installation, improper storage, unauthorized service, alteration of the products, neglect or abuse, or use of the product in a manner inconsistent with its design. The warranty does not extend to any component parts not manufactured by Manufacturer; however, Manufacturer's warranty herein shall not limit any warranties made by manufacturers of component parts which extend to Buyer.

Claims for defects in material and workmanship shall be made in writing to Manufacturer within ten days of discovery of defect. Manufacturer may either send a service representative or have the product returned to its factory at Buyer's expense for inspection. Upon notification of defect, Manufacturer will issue a return goods authorization number to Buyer. The return goods authorization number must accompany the product returned. If judged by the Manufacturer to be defective in material or workmanship, the product will be replaced or repaired at the option of the Manufacturer, free from all charges except authorized transportation. Buyer shall be responsible for all maintenance services consisting of lubrication and cleaning of equipment, replacing expandable parts, making minor adjustments, and performing operating checks, all in accordance with procedures outlined in Manufacturer's maintenance literature.

THE FOREGOING WARRANTY IS IN LIEU OF ALL OTHER WARRANTIES AND NO REPRESENTATIONS, GUARANTEES, OR WARRANTIES, EXPRESS OR IMPLIED, (INCLUDING BUT NOT LIMITED TO A WARRANTY OF MERCHANTABILITY OR FITNESS FOR A PARTICULAR PURPOSE), ARE MADE BY THE MANUFACTURER IN CONNECTION WITH THE MANUFACTURE OR SALE OF ITS PRODUCTS. NO EMPLOYEE, DISTRIBUTOR, OR REPRESENTATIVE IS AUTHORIZED TO CHANGE THIS WARRANTY ON BEHALF OF MANUFACTURER.

THE REMEDIES OF BUYER SET FORTH HEREIN ARE EXCLUSIVE AND ARE IN LIEU OF ALL OTHER REMEDIES. THE LIABILITY OF MANUFACTURER WHETHER IN CONTRACT, TORT, UNDER ANY WARRANTY, OR

OTHERWISE SHALL NOT EXTEND BEYOND ITS OBLIGATION TO REPAIR OR REPLACE, AT ITS OPTION ANY PRODUCT OR PART FOUND BY MANUFACTURER TO BE DEFECTIVE IN MATERIAL OR WORKMANSHIP. MANUFACTURER SHALL NOT BE LIABLE FOR COST OF INSTALLATION AND/OR REMOVAL OR BE RESPONSIBLE FOR DIRECT, INDIRECT, SPECIAL OR CONSEQUENTIAL DAMAGES OF ANY NATURE.

GENERAL RETURNS OF MERCHANDISE

1. All returns must be pre-authorized
 - A. Please call our parts department for an RGA number
 - B. Please include RGA number on the outside of box
 - C. Include any required paper work or special instructions
 - D. Items returned without an RGA number will not be accepted
2. All returns are subject to a 20% restock charge.
3. Special items are non-returnable
 - A. Non-stock parts
 - B. Custom parts
 - C. If you are unsure about a parts status when ordering, ask your McLaughlin representative if the item fits on of the above conditions.
4. Items must be returned within thirty days of original order date.
5. Items not returned within 30 days from the date of RGA is issued will not be accepted.
6. The item(s) must be in new condition. Used item(s) are not returnable.

Maintenance Record

| DATE | SERVICE PERFORMED | BY |
|-------|-------------------|-------|
| _____ | _____ | _____ |
| _____ | _____ | _____ |
| _____ | _____ | _____ |
| _____ | _____ | _____ |
| _____ | _____ | _____ |
| _____ | _____ | _____ |
| _____ | _____ | _____ |
| _____ | _____ | _____ |
| _____ | _____ | _____ |
| _____ | _____ | _____ |
| _____ | _____ | _____ |
| _____ | _____ | _____ |
| _____ | _____ | _____ |
| _____ | _____ | _____ |
| _____ | _____ | _____ |
| _____ | _____ | _____ |
| _____ | _____ | _____ |
| _____ | _____ | _____ |
| _____ | _____ | _____ |
| _____ | _____ | _____ |
| _____ | _____ | _____ |
| _____ | _____ | _____ |
| _____ | _____ | _____ |
| _____ | _____ | _____ |
| _____ | _____ | _____ |
| _____ | _____ | _____ |
| _____ | _____ | _____ |
| _____ | _____ | _____ |
| _____ | _____ | _____ |
| _____ | _____ | _____ |
| _____ | _____ | _____ |
| _____ | _____ | _____ |
| _____ | _____ | _____ |
| _____ | _____ | _____ |
| _____ | _____ | _____ |
| _____ | _____ | _____ |
| _____ | _____ | _____ |
| _____ | _____ | _____ |
| _____ | _____ | _____ |
| _____ | _____ | _____ |
| _____ | _____ | _____ |

FOR SCHEMATICS SEE: www.mclaughlinunderground

CALIFORNIA
Proposition 65 Warning

Diesel engine exhaust and some of its constituents are known to the State of California to cause cancer, birth defects, and other reproductive harm.

CALIFORNIA
Proposition 65 Warning

Battery posts, terminals, and related accessories contain lead and lead compounds, chemicals known to the State of California to cause cancer and reproductive harm. Wash hands after handling.

