



Providing Solutions Since 1921

2006 Perimeter Road. Greenville, SC 29605

Toll Free: 800/435-9340 – Phone: 864/277-5870

Fax: 864/235-9661 – Website address: www.mclaughlinunderground

Email address: mmole@mightymole.com

PARTS MANUAL

PTO-VXT8

E850528

SERIAL NUMBER – 7HW8230T7KG000101 TO 7HW8230T9LG000120

12/20/2018

2018 by McLaughlin Group, Inc. REV. 1

All rights reserved. No part of this manual may be reproduced in any form, or by any means without prior written permission of McLaughlin Group, Inc.

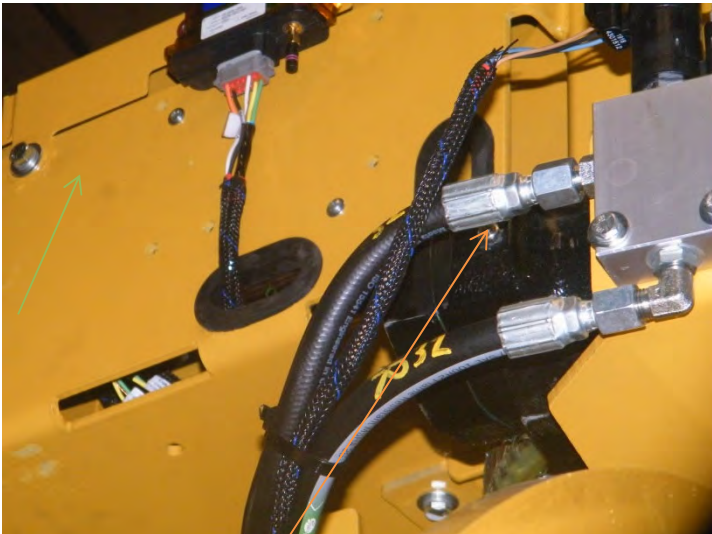
Table of Contents

DECAL LAYOUT	6
TRUCK ASSEMBLY	12
ELECTRICAL ASSEMBLY	14
CONTROL ASSEMBLY	16
ENCLOSURE ASSEMBLY	18
HYDRAULIC ASSEMBLY	20
BLOWER ASSEMBLY	26
WATER PUMP ASSEMBLY	28
SKID ASSEMBLY	30
SPOIL TANK ASSEMBLY.....	32
HYDRAULIC ARMS ASSEMBLY.....	34
FILTRATION ASSEMBLY	36
WATER TANK FRAME ASSEMBLY.....	38
WATER TANK ASSEMBLY	40
WATER REEL ASSEMBLY.....	44
VAC TOOLS ASSEMBLY.....	46
BOOM TURRET ASSEMBLY.....	48
BOOM PIVOT ARM ASSEMBLY.....	52
BOOM EXTENSION ARM ASSEMBLY.....	54
BOOM TOOLS ASSEMBLY	56
HOTBOX ASSEMBLY	57
AIR WATER ASSEMBLY	59
WARRANTY	60

GREASE GUN LUBE POINTS



TANK PIVOT TUBE GREASE POINT



BOOM GREASE POINT



J200425



J200420



J200403



J200420

INSTRUCTIONS

DUMP PROCEDURE HYDRAULIC DOOR

1. Open gate valve on tank inlet - tank will not build vacuum
2. Click FULL TANK OVERRIDE switch to ON position
3. Start engine
4. Open door gate valve to drain liquids
5. Hold DOOR OPEN switch to open door
6. Hold TANK RAISE switch to raise tank
7. After dumping, hold TANK LOWER switch down to lower tank and DOOR CLOSE switch to close door
8. Shut off engine

J200481

J200445



⚠ WARNING	
	
Flammable liquid.	
Fuel and fumes can explode or catch fire.	
Turn off engine BEFORE fueling.	
Wipe up spilled fuel immediately.	

J200440



	⚠ DANGER
	CRUSH HAZARD. • Moving clamp can crush and cut. • DO NOT operate with access cover removed.

J200411

⚠ DANGER	
ELECTROCUTION HAZARD Death or serious injury will result if boom approaches or touches overhead electrical power lines. Keep boom away from overhead utilities. Use caution when operating boom.	

J200403

DECAL LAYOUT



	⚠ WARNING
	<p>FIRE OR EXPLOSION POSSIBLE.</p> <p>Do not vacuum flammable or combustible substances.</p> <p style="text-align: right;"><small>J200473</small></p>

J200473

INSTRUCTIONS
DUMP PROCEDURE HYDRAULIC DOOR
<ol style="list-style-type: none"> 1. Open gate valve on tank inlet - tank will not build vacuum 2. Click FULL TANK OVERRIDE switch to ON position 3. Start engine 4. Open door gate valve to drain liquids 5. Hold DOOR OPEN switch to open door 6. Hold TANK RAISE switch to raise tank 7. After dumping, hold TANK LOWER switch down to lower tank and DOOR CLOSE switch to close door 8. Shut off engine <p style="text-align: right;"><small>J200481</small></p>

J200481

⚠ DANGER	
	<p>Crushing weight.</p> <p>Spoil and door will cause death or serious injury. Unlock door only under vacuum. Stay away from door when dumping.</p>

J200410

⚠ DANGER
<p>SUFFOCATION HAZARD.</p> <p>Vacuum hoses will cause death or serious injury. Keep hoses and tools away from face and body.</p>

J200415



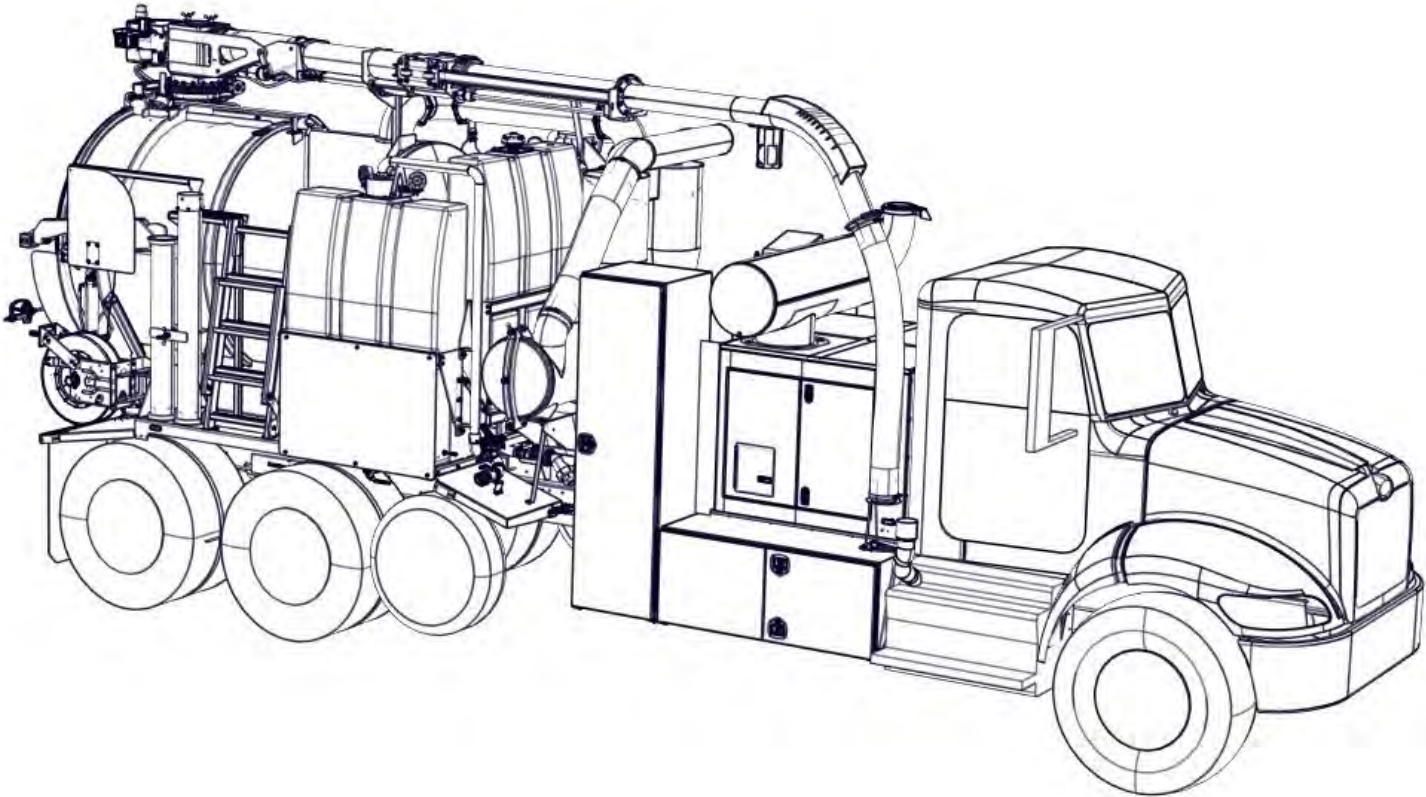
	⚠ WARNING
	<p>CRUSHING WEIGHT</p> <p>DEATH OR SERIOUS INJURY COULD RESULT</p> <p>EMPTY TANK BEFORE SERVICING</p> <p>ALWAYS INSTALL SAFETY BAR WHEN WORKING ON RAISED TANK <small>J200458</small></p>

J200458

	⚠ WARNING
	<p>Pinch point.</p> <p>Serious injury may result. Keep hands clear when closing door or lowering tank.</p> <p style="text-align: right;"><small>J200455</small></p>

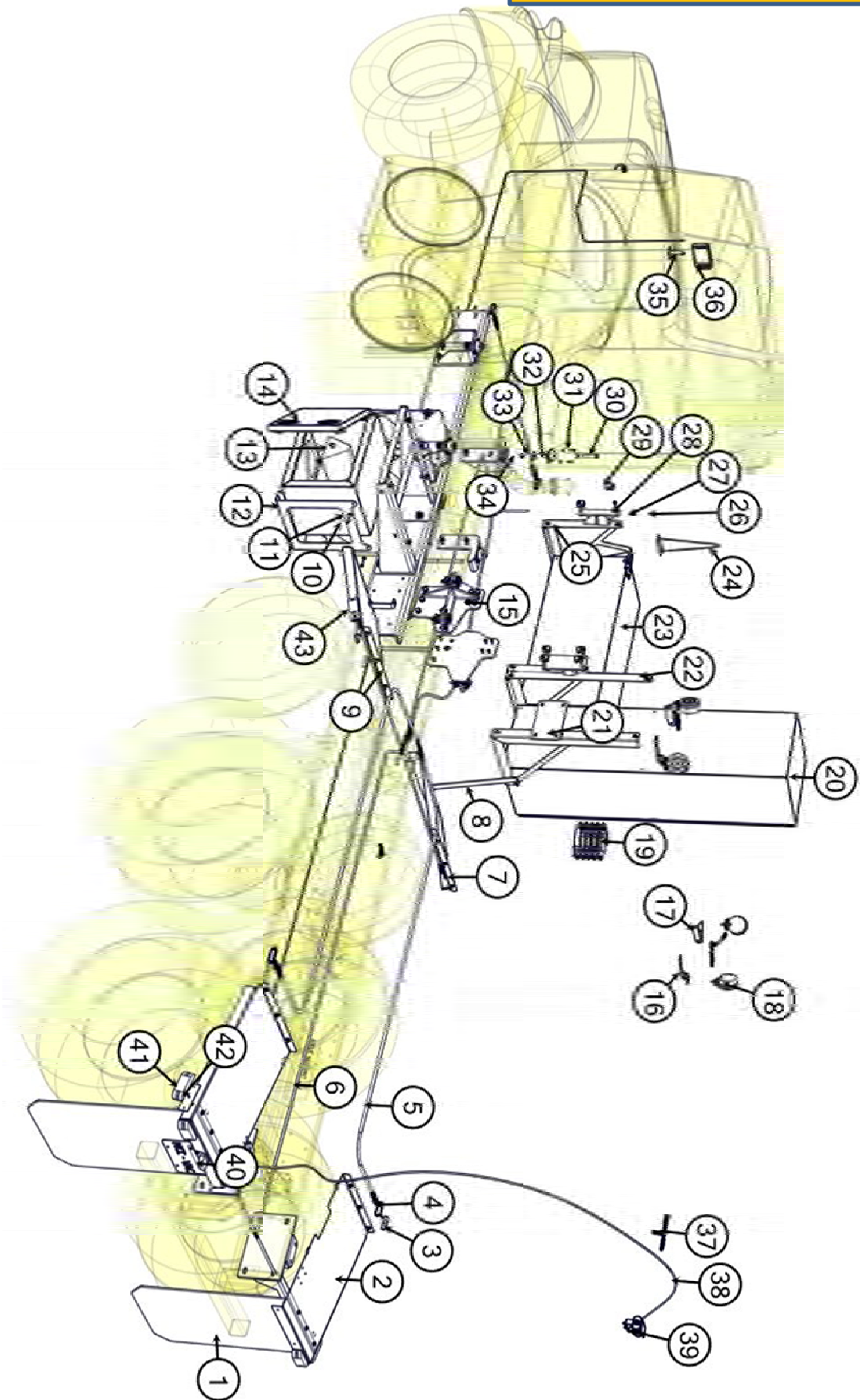
J200455

PAGE LEFT BLANK



PAGE LEFT BLANK

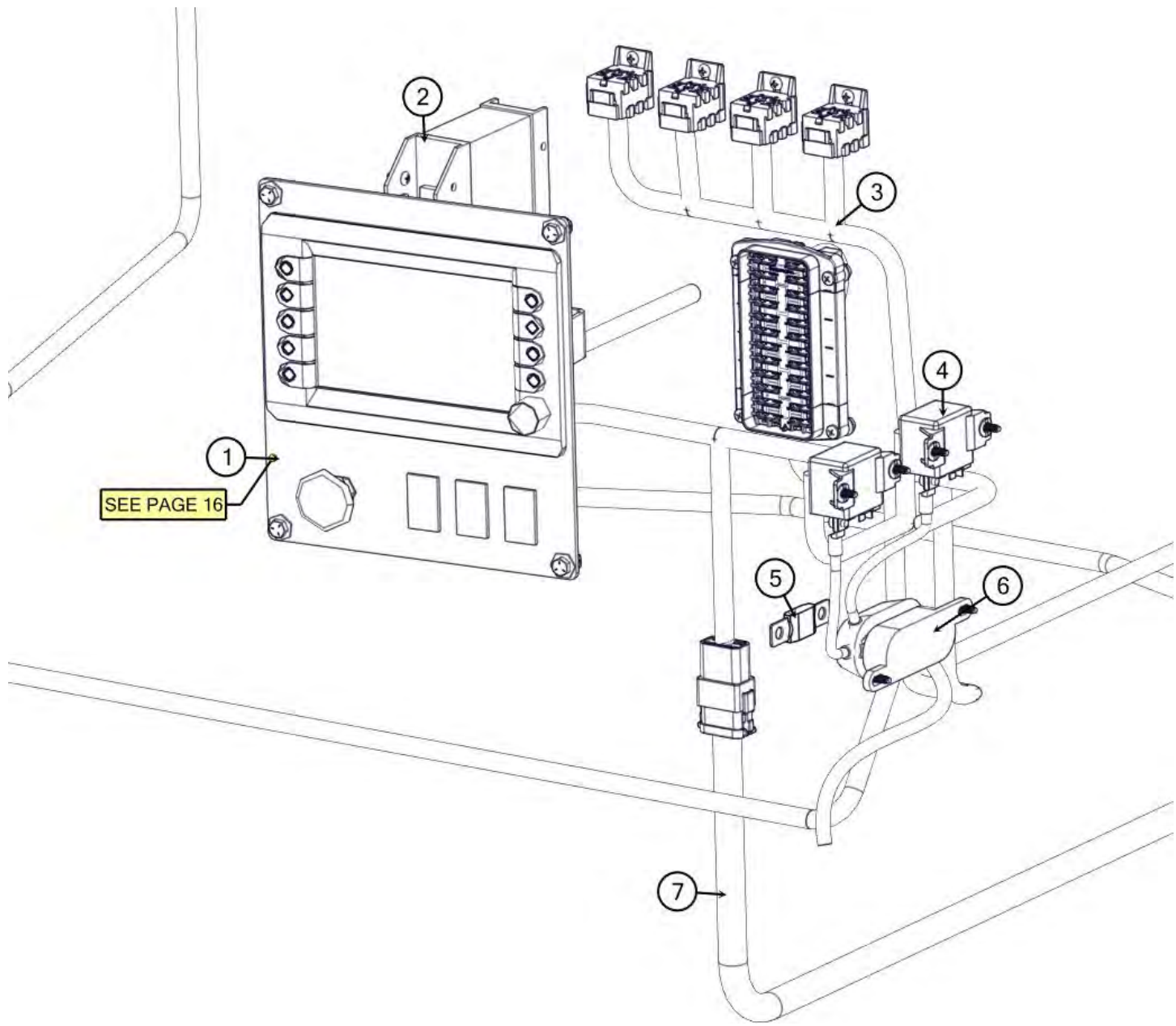
VXT8 TRUCK ASSEMBLY



VXT8 TRUCK ASSEMBLY

BOM ID	Qty	Name
1	2	8093975 FLAP, MUD
2	1	8096781 WELDMENT, FENDER CURB REAR
3	4	8096028 LIGHT, THIN MOUNT HORIZ STROBE WITH WIRES
4	4	8096029 BEZEL, CHROME THIN MOUNT LED
5	1	X200230 HARNESS, LED OPTION REAR LEDS
6	1	8096763 HARNESS, RUNNING LIGHTS TRUCK (MID)
7	1	8096789 PLATE, FENDER CURB FRONT
8	1	8096791 PLATE, FENDER SUPPORT CYCLONE
9	1	8096790 PLATE, FENDER STREET FRONT
10	8	U000448 SCREW, HC .375-16 X 1.25 SS G8
11	16	U200066 WASHER, FLAT .375 18-8 SS
12	1	8096446 BRACKET, 24" HOR. TOOLBOX RIGHT
13	2	8091779 WHEEL CHOCK
14	1	8095634 TOOLBOX, 18D X 24W X 18D
15	1	8094131 KIT, MOUNTING TRANSFER CASE
16	2	8096364 PLATE, LIGHT FLOOD WATER TANK REAR
17	2	8096363 PLATE, LIGHT FLOOD WATER TANK FRONT
18	4	8093939 LIGHT, WORK OPTILUX 5RD
19	6	8092944 CLAMP, QUICK 6" FOR FLAT FLANGE
20	1	8096319 TOOLBOX, VERTICAL 24"W X 84"H X 18"D
21	1	8096442 WELDMENT, CURBSIDE TOOLBOX REAR MOUNT
22	1	8096441 WELDMENT, CURBSIDE TOOLBOX MIDDLE MOUNT
23	1	8096289 TOOLBOX, UNDER BODY 24H X 60W X 24D
24	1	8096545 HOLDER, CONE TRAFFIC
25	1	8096440 WELDMENT, CURBSIDE TOOLBOX FORWARD MOUNT
26	12	U200110 WASHER, FLAT .500 ZP SAE HARD
27	6	U120125 NUT, LOCK NY .500-13 YZ G8
28	6	U001031 SCREW, HC .500-13 X 6.00 ZP G8
29	6	8096466 FLAT, RAIL TENSION MOUNT
30	4	U001300 SCREW, HC .625-11 X 3.75 ZP G5
31	8	U000440 SCREW, HC .375-16 X 1.25 ZP G5
32	4	8030904 ISOLATOR VAC PP
33	4	8030851 WASHER, SNUBBING FOR PP
34	4	U120140 NUT, LOCK .625-11
35	1	8095750 MOUNT, MONITOR IN-CAB
36	1	8095050 MONITOR, 7IN IN-CAB
37	1	X200233 HARNESS, LIGHT FLOOD PTO
38	1	8095964 CABLE, MONITOR AND CAMERA 15M/49FT
39	1	8094888 CAMERA, BACK UP
40	1	8049518 LICENSE PLATE HOLDER W/LIGHT
41	4	8096799 LIGHT, RUNNING 2" X 6" RED REFLECTIVE
42	6	8096800 GASKET, LIGHT RUNNING 2" X 6"
43	2	8096798 LIGHT, RUNNING 2" X 6" AMBER REFLECTIVE

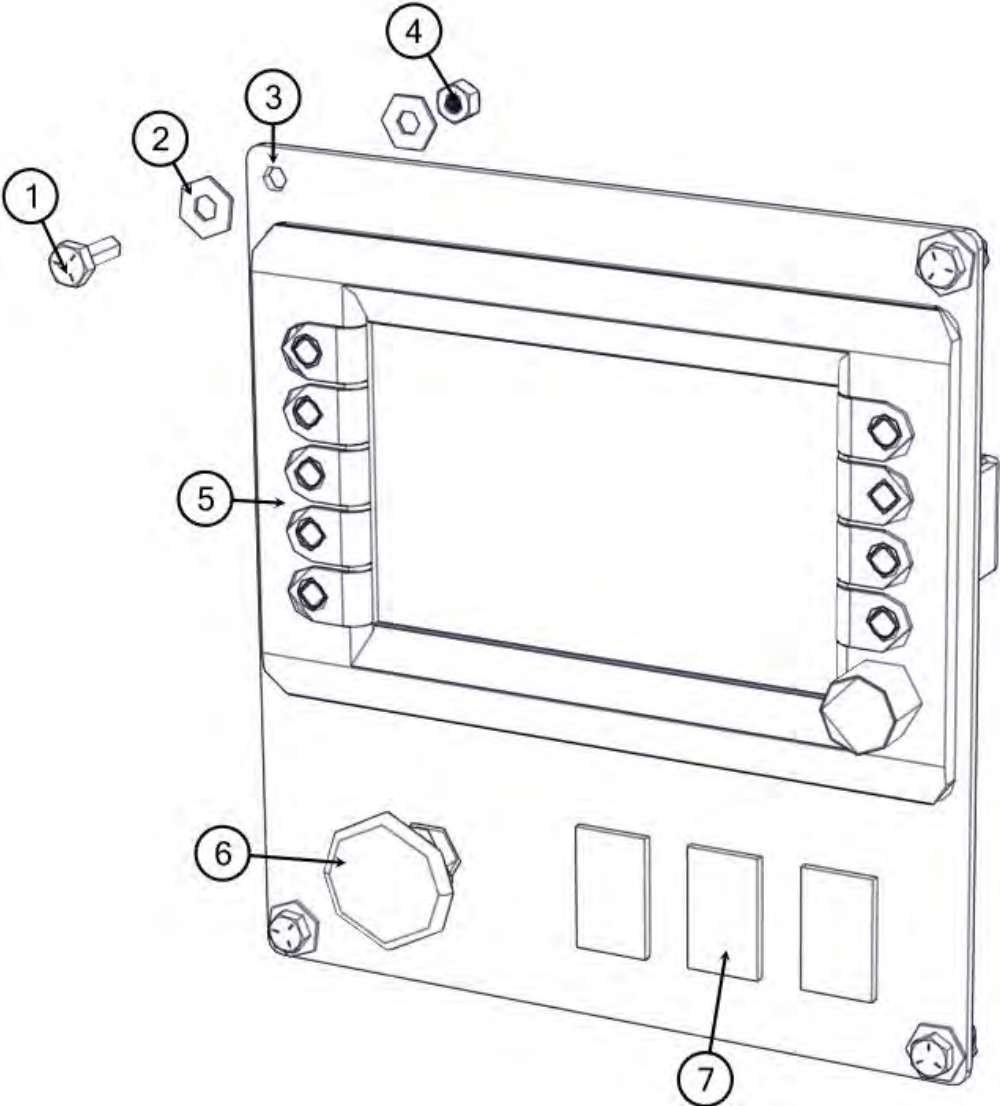
VXT8 ELECTRICAL ASSEMBLY



VXT8 ELECTRICAL ASSEMBLY

BOM ID	Qty	Name
1	1	8096431 ASSEMBLY, CONTROLS PTO
2	1	8092953 CONTROLLER IFM CAN (BASE)
3	1	X200211 HARNESS, VXT8
4	2	X000030 RELAY POWER SPST 75A DUAL CONT
5	1	8043801 FUSE 250A AMG
6	1	8043800 FUSE HOLDER AMG
7	1	X100126 WIRE,TYPE SO 16/10 - 200" LG.

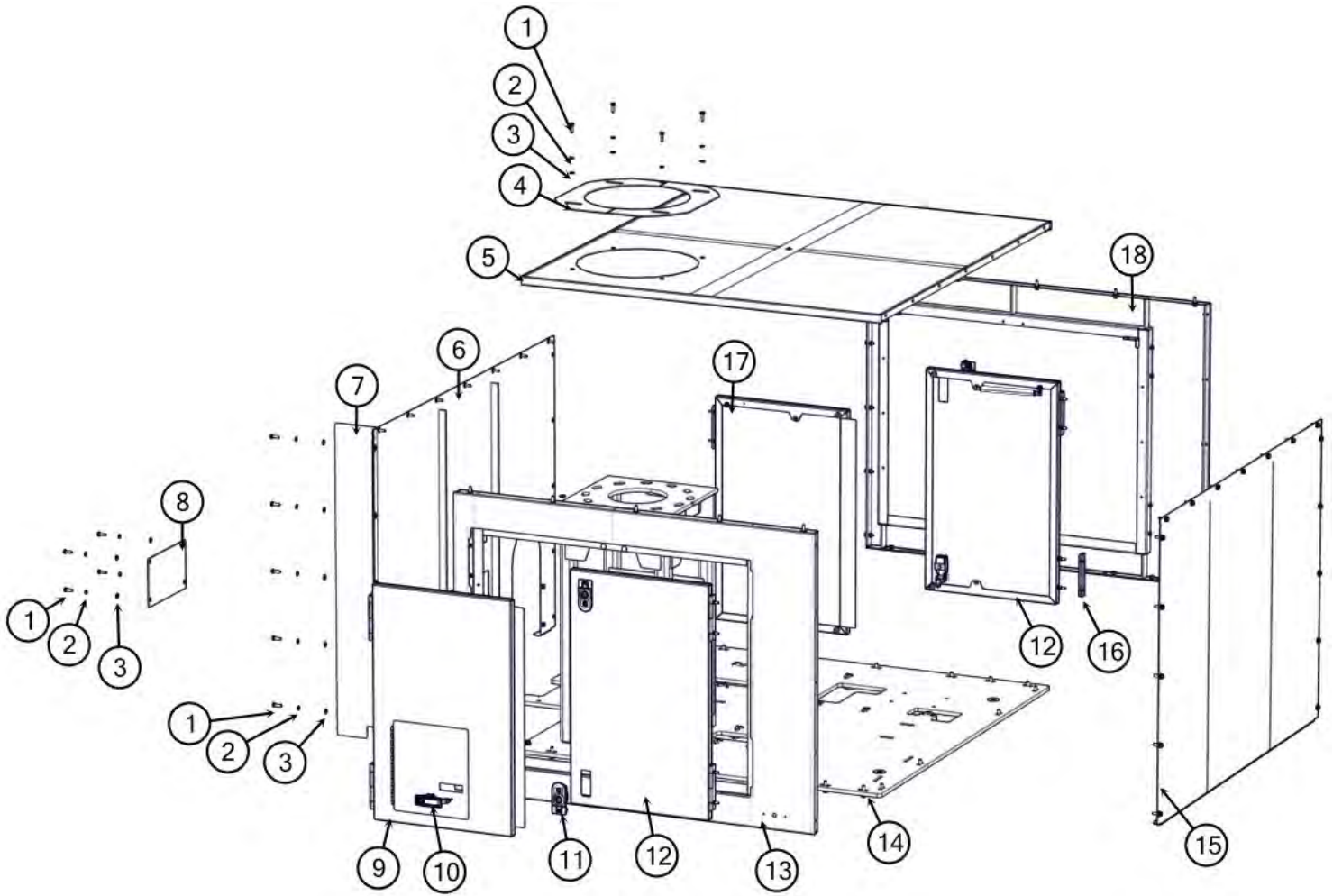
VXT8 CONTROLS ASSEMBLY



VXT8 CONTROLS ASSEMBLY

BOM ID	Qty	Name
1	4	U000040 SCREW, HC .250-20 X .750 ZP G5
2	8	U200020 WASHER, FLAT .250 ZP
3	1	8096432 WELDMENT, CONTROLS PTO
4	4	U120000 NUT, LOCK NY .250-20 ZP G2
5	1	8092120 DISPLAY, COLOR PTO
6	1	X000280 EMERGENCY STOP
7	3	X000290 PLUG ROCKER HOLE

VXT8 ENCLOSURE ASSEMBLY



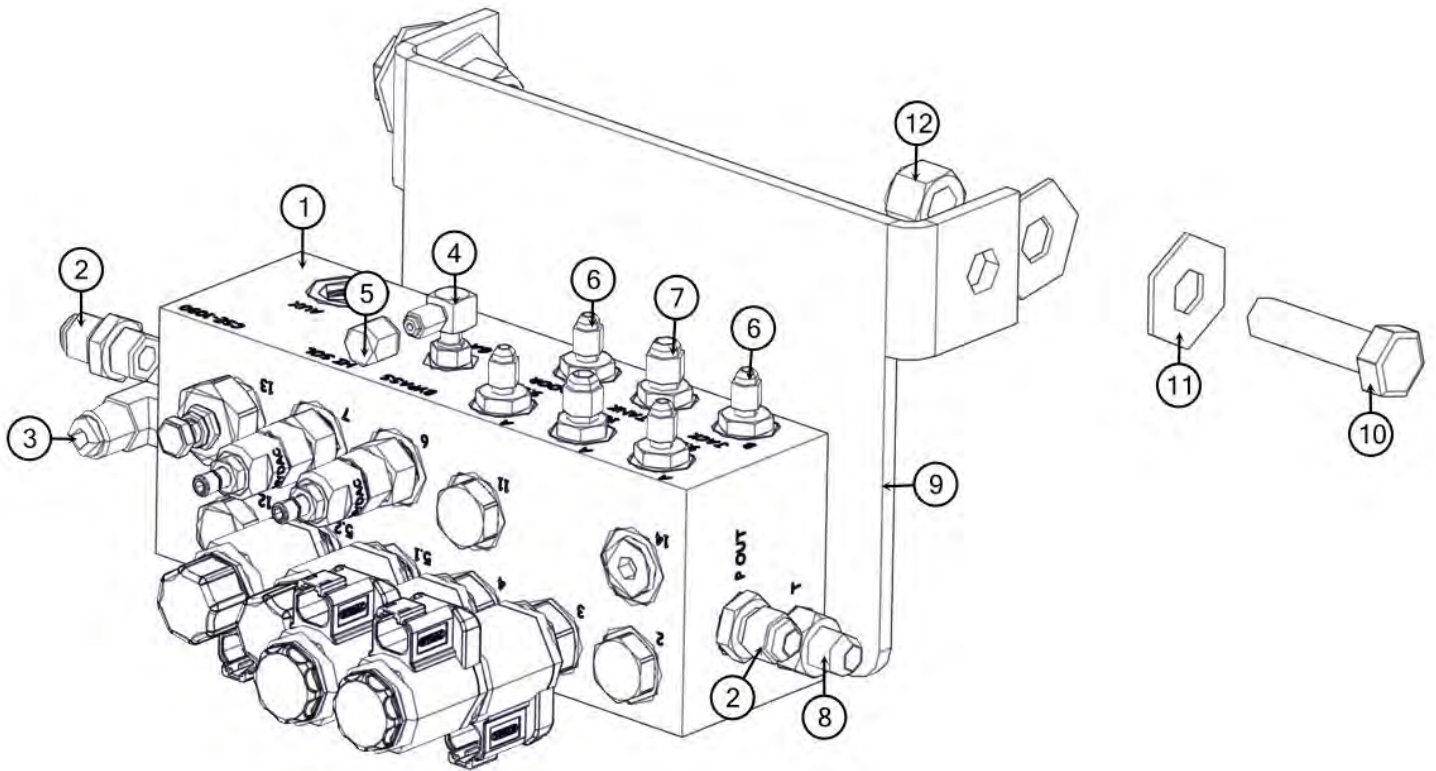
VXT8 ENCLOSURE ASSEMBLY

BOM ID	Qty	Name
1	42	U000216 SCREW, HC .312-18 X 1.00 SS G18-8
2	42	U210043 WASHER, LOCK .312 SS G18-8
3	42	U200055 WASHER, FLAT .312 SS
4	2	8096428 PANEL, ENCLOSURE SILENCER FLANGE
5	1	8096395 WELDMENT, ENCLOSURE TOP PANEL PTO
6	1	8096426 WELDMENT, ENCLOSURE BACK PANEL PTO
7	1	8096759 PLATE, GUARD ENCLOSURE TOOLBOX
8	1	8096429 PANEL, ENCLOSURE COVER
9	1	8096413 WELDMENT, ENCLOSURE DOOR SIDE CURB PTO
10	1	8048788 LATCH COMPRESSION C2
11	4	8040586 SEALED LEVER LATCH
12	2	8096417 WELDMENT, ENCLOSURE DOOR SIDE PTO
13	1	8096402 WELDMENT, ENCLOSURE SIDE CURB PTO
14	1	8094252 WELDMENT, POWERPACK FRAME VXT
15	1	8096422 WELDMENT, ENCLOSURE FRONT PTO
16	8	8093873 HINGE, DOOR ENCLOSURE
17	1	8096419 WELDMENT, ENCLOSURE DOOR SIDE 2
18	1	8096410 WELDMENT, ENCLOSURE SIDE STREET PTO

* NOT SHOWN

8096430 - ENCLOSURE FOAM ASSEMBLY

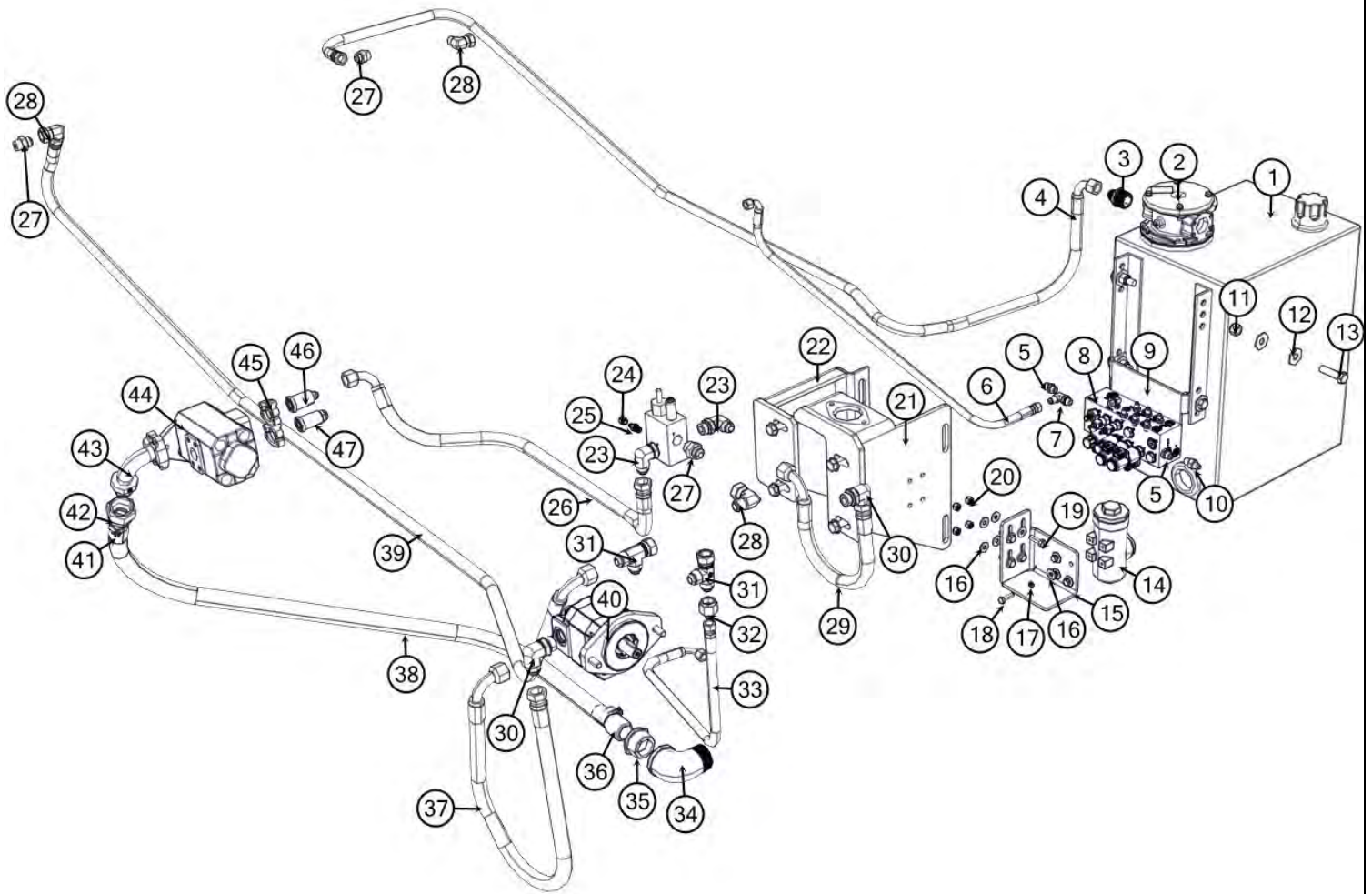
VXT8 HYDRAULIC MANIFOLD ASSEMBLY



VXT8 HYDRAULIC MANIFOLD ASSEMBLY

BOM ID	Qty	Name
1	1	8094243 ASSEMBLY, MANIFOLD BASE/AUX
2	2	T400140 UNION, 1/2"MB - 1/2"MJ
3	1	T401280 ELBOW, 90 1/2"MB - 1/2"MJ
4	1	T401230 ELBOW, 90 1/4"MB - 1/4"MJ
5	1	T405200 CAP, 1/4" FEM.JIC, HEX HEAD 1/4FJ
6	4	T400550 REDUCER, 6MB - 4MJ
7	2	T400037 UNION, 6MB - 6MJ
8	1	296429750 CHECK VALVE, 5 PSI
9	1	8095479 PLATE, HYD MANIFOLD MOUNTING BRACKET
10	2	U001210 SCREW, HC .625-11 X 2.25 ZP G5
11	4	U200140 WASHER, FLAT .625 ZP
12	2	U120020 NUT, LOCK NY .625-11 ZP G2

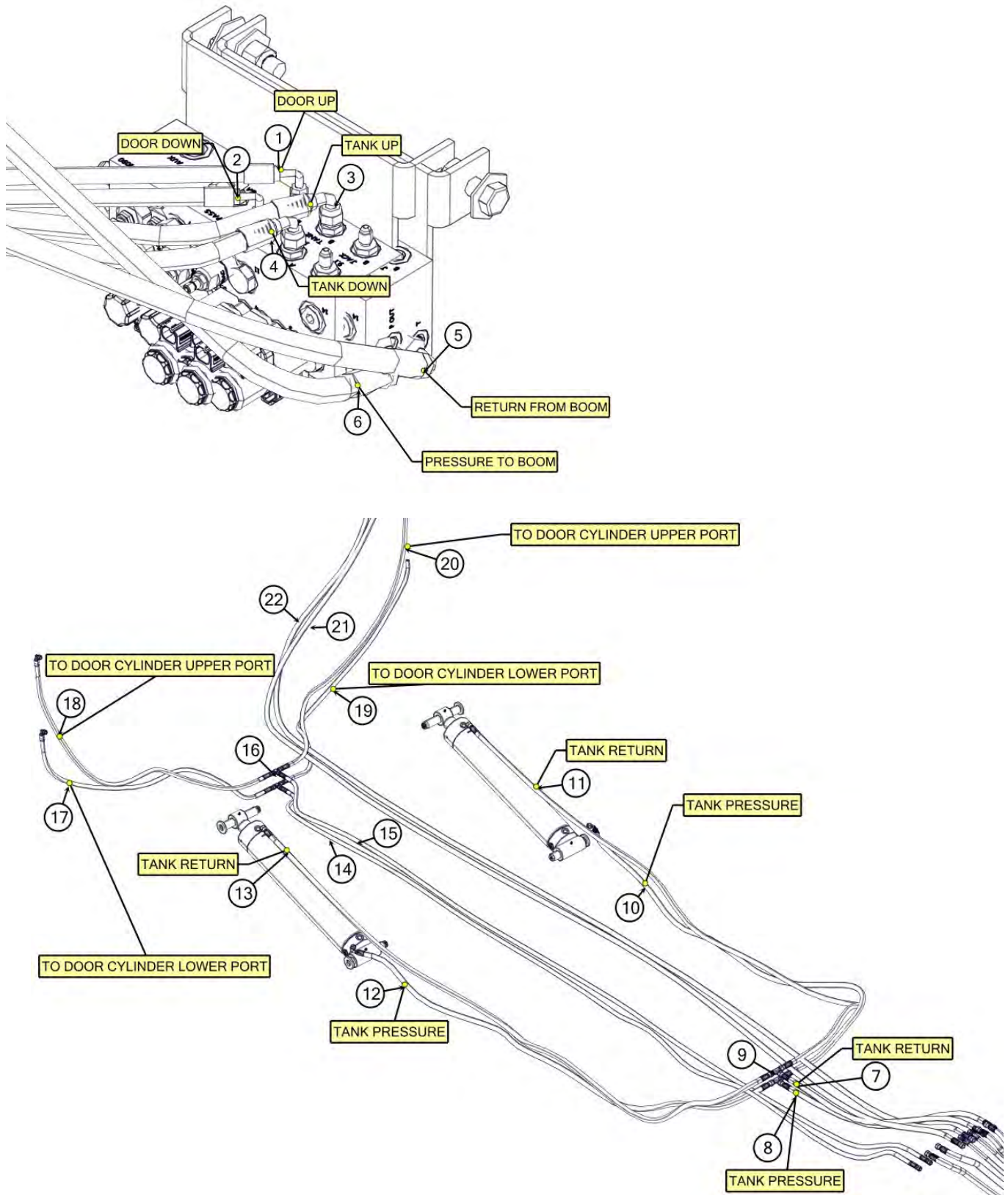
VXT8 HYDRAULIC ASSEMBLY



VXT8 HYDRAULIC ASSEMBLY

BOM ID	Qty	Name
1	1	8094186 TANK, HYDRAULIC 30 GALLON
2	1	8094179 ASSEMBLY, FILTER RETURN IN-TANK MOUNT W/GAUGE
3	1	T403017 REDUCER, 20MP - 12MJ
4	1	8095484 HOSE ASSY VAC 12-130 ST-90
5	2	T400140 UNION, 1/2"MB - 1/2"MJ
6	1	8049327 HOSE ASSY VAC 8-36 ST-90
7	1	T401280 ELBOW, 90 1/2"MB - 1/2"MJ
8	1	8094243 ASSEMBLY, MANIFOLD BASE/AUX
9	1	8095479 PLATE, HYD MANIFOLD MOUNTING BRACKET
10	1	296429750 CHECK VALVE, 5 PSI
11	4	U120020 NUT, LOCK NY .625-11 ZP G2
12	8	U200140 WASHER, FLAT .625 ZP
13	4	U001210 SCREW, HC .625-11 X 2.25 ZP G5
14	1	8094865 REMOTE OIL LEVEL
15	1	8094597 PLATE, REMOTE SIGHT GLASS MOUNT
16	15	U200060 WASHER, FLAT .375 ZP
17	4	U210055 WASHER, LOCK 8MM
18	4	U001600 SCREW, HC 8MM X 1.25 X 30MM G10.9
19	4	U000440 SCREW, HC .375-16 X 1.25 ZP G5
20	4	U110060 NUT, ST .375-16 ZP G2
21	1	8094944 WELDMENT, HYD RESERVOIR TANK MOUNT ISOLATOR
22	1	8094967 WELDMENT, HYD RESERVOIR MOUNT PTO
23	2	T401340 ELBOW, 90 3/4"MB(ADJ) - 3/4"MJ
24	1	T405200 CAP, 1/4" FEM.JIC, HEX HEAD 1/4FJ
25	1	T400020 UNION, 4MP - 4MJ
26	1	8044765 HOSE ASSY VAC 12-50 ST-90
27	3	T400220 UNION, 3/4"MB - 3/4"MJ
28	3	T401628 ELBOW, 90 3/4"FJ -3/4"MJ
29	1	8049365 HOSE ASSY VAC 12-24 ST-90
30	2	T401340 ELBOW, 90 3/4"MB(ADJ)-3/4"MJ
31	2	T402170 TEE, 3/4MJ - 3/4MJ - 3/4FJ
32	1	T403136 REDUCER, 3/4"FJ - 1/2"MJ
33	1	8049003 HOSE ASSY VAC 8-30 ST-90
34	1	8094556 ELBOW, STREET 90, 2" NPT
35	1	T403160 REDUCER, 2"MP - 1-1/2"FP
36	1	T410080 FITTING, 1-1/2"MP - 1-1/2"HOSE
37	1	8042939 HOSE ASSY VAC 12-42 ST-90
38	1	T300410-064 00 HOSE, WIRE BRAID SUCTION 1-1/2 64" LG.
39	1	8095484 HOSE ASSY VAC 12-130 ST-90
40	1	8094241 MOTOR, HYDRAULIC GEAR TYPE
41	2	T430320 CLAMP, HOSE 2PC CAT TYPE #24
42	1	T410060 FITTING, 1-1/2"FJ(SW) - 1-1/2 HOSE
43	1	8095832 24MJ-20FLANGE. 90 ELBOW CODE 61
44	1	8094237 PUMP, HYDRAULIC GEAR TYPE DOUBLE PUMP
45	2	8095831 12 SPLIT FLANGE CODE 61 FACE FITTING
46	1	8095829 8MJ-12FLANGE STRAIGHT CODE 61
47	1	8095830 12MJ -12FLANGE STRAIGHT CODE 61

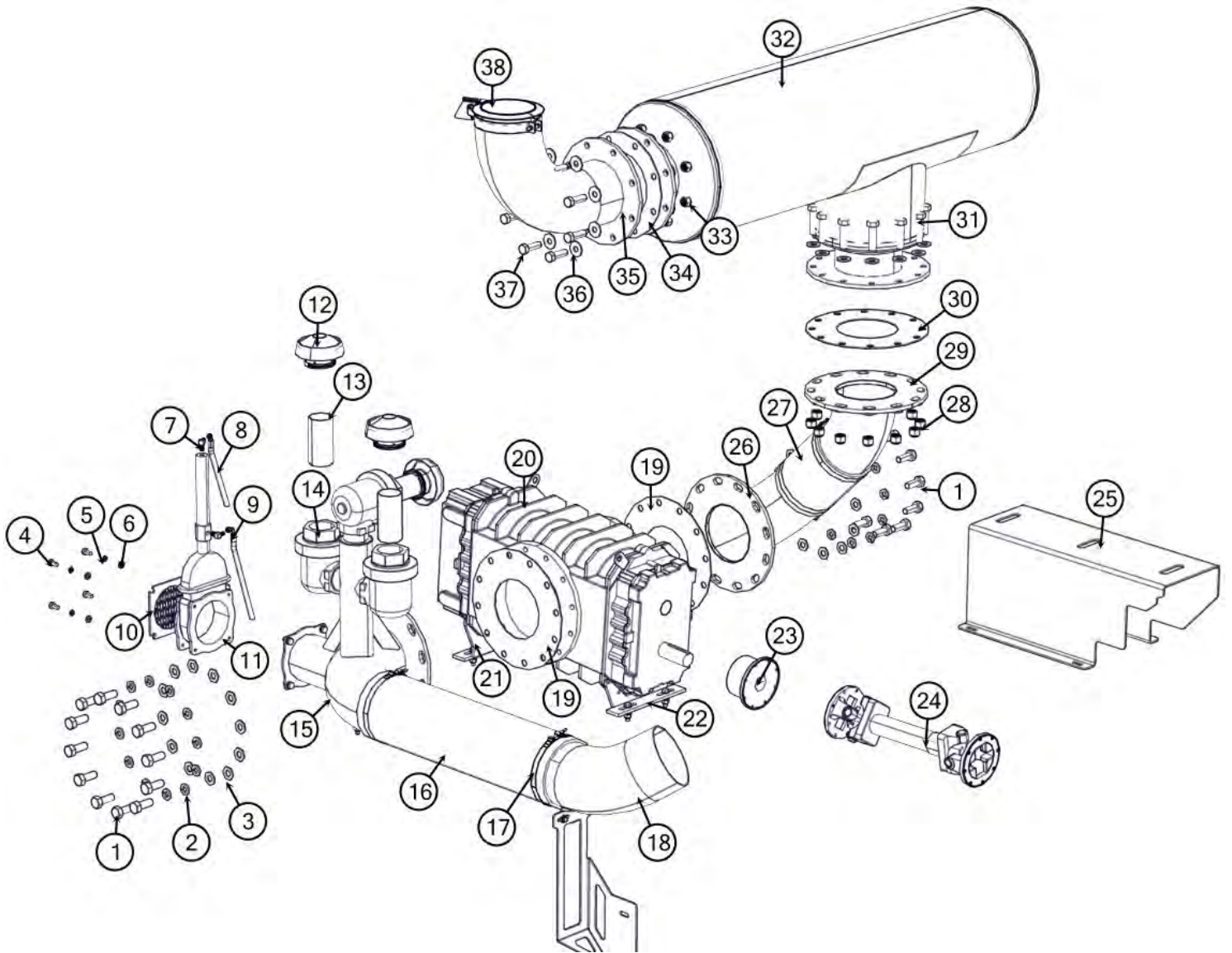
VXT8 HYDRAULIC HOSE ASSEMBLY



VXT8 HYDRAULIC HOSE ASSEMBLY

BOM ID	Qty	Name
1	1	8046701 HOSE ASSY VAC 4-74" ST-90
2	1	8046701 HOSE ASSY VAC 4-74" ST-90
3	1	8093432 HOSE ASSY VAC 6-72" ST-90
4	1	8093432 HOSE ASSY VAC 6-72" ST-90
5	1	8095806 HOSE ASSY VAC 8-80 ST-90
6	1	8095806 HOSE ASSY VAC 8-80 ST-90
7	1	8045871 HOSE ASSY VAC 6-40" ST-ST
8	1	8045871 HOSE ASSY VAC 6-40" ST-ST
9	2	T402154 TEE, 6MJ - 6MJ - 6MJ
10	1	8046819 HOSE ASSY VAC 6-79" ST-90
11	1	8093486 HOSE ASSY VAC 6-110" ST-ST
12	1	8046819 HOSE ASSY VAC 6-79" ST-90
13	1	8093486 HOSE ASSY VAC 6-110" ST-ST
14	1	8042354 HOSE ASSY VAC 4-160" ST-ST
15	1	8042354 HOSE ASSY VAC 4-160" ST-ST
16	2	T402035 TEE, 4MJ - 4MJ - 4MJ
17	1	8093184 HOSE ASSY VAC 4-55" ST-90
18	1	8044763 HOSE ASSY VAC 4-60" ST-90
19	1	8093184 HOSE ASSY VAC 4-55" ST-90
20	1	8044763 HOSE ASSY VAC 4-60" ST-90
21	1	8049277 HOSE ASSY VAC 6-285" ST-ST (BOOM PRESSURE)
22	1	8049277 HOSE ASSY VAC 6-285" ST-ST (BOOM RETURN)

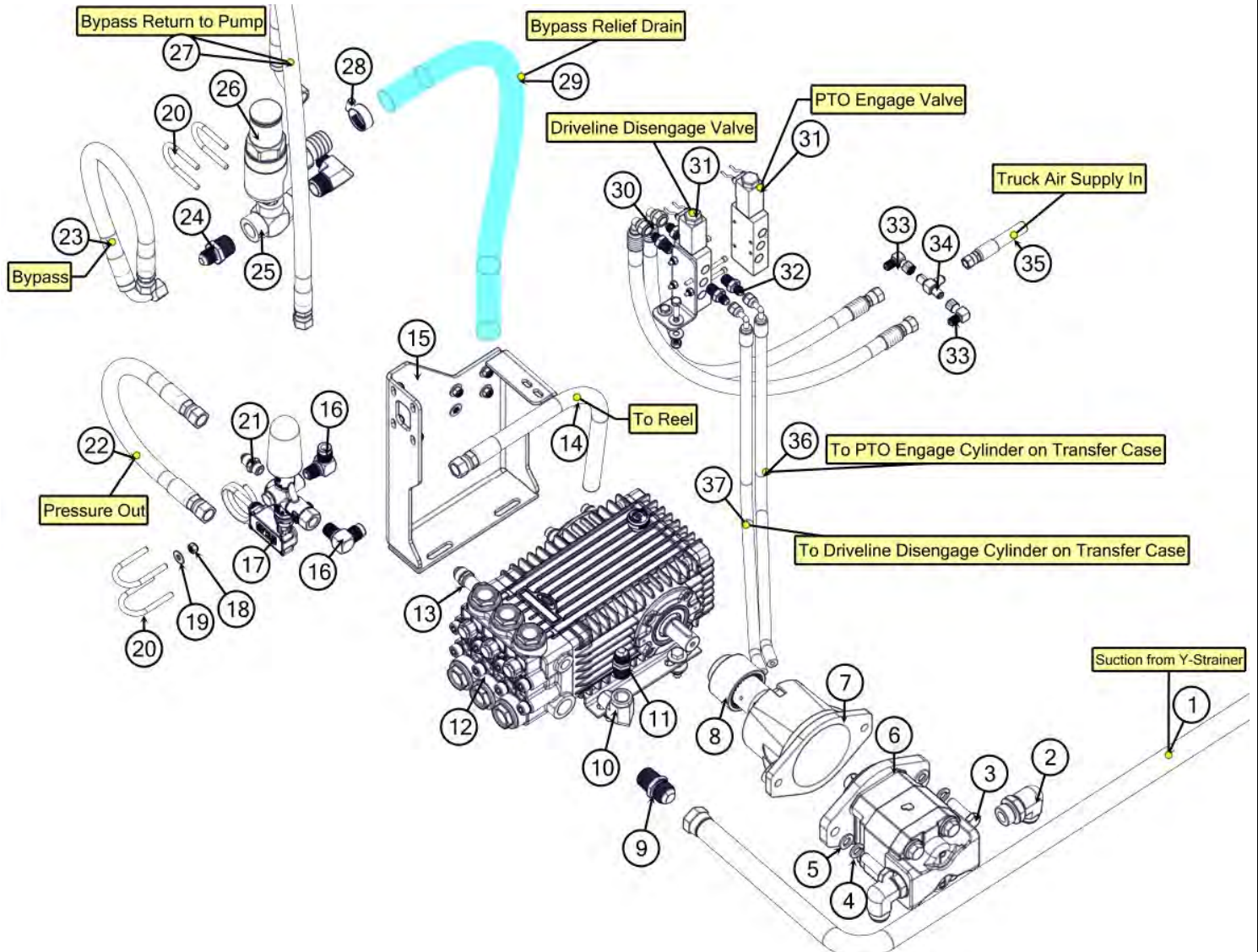
VXT8 BLOWER ASSEMBLY



VXT8 BLOWER ASSEMBLY

BOM ID	Qty	Name
1	24	U001551 SCREW, HC .875-9 X 2.25 ZP G5
2	24	U210180 WASHER, LOCK .875 ZP
3	48	U200168 WASHER, FLAT .875 ZP SAE HARD
4	8	U001653 SCREW, HC 12MM X 1.75 X 25MM
5	8	U210223 WASHER, LOCK 12MM
6	8	U200305 WASHER, FLAT 12MM
7	2	T401100 ELBOW 90 4MP_4MJ
8	1	8093431 HOSE ASSY VAC 4-92 ST-90
9	1	8046700 HOSE ASSY VAC 4-72 ST-90
10	1	8049371 BOTTOM PLATE WELDMENT DV RF
11	1	8043577 VALVE, 6" GATE BRASS HYD DBLACT
12	3	8091506-01 CAP, AIR IN-TAKE
13	3	8045238 UNION EXHAUST 3" OD-MNPT
14	3	8092079 VALVE, AIR RELIEF 3" 18"HG
15	1	8094823 WELDMENT, BLOWER INTAKE HEADER
16	1	8092966-030.00 TUBE, TEX-AQUA-HD, 8" X 30"
17	4	8092896 CLAMP, T-BOLT 8" HOSE
18	1	8096368 ASSEMBLY, ELBOW SUPPORT
19	2	8092811 GASKET, BLOWER FLANGE
20	1	8094129 BLOWER, RAM624 3200CFM (18"HGG) w/FEET
21	1	8094686 WELDMENT, BLOWER FOOT RAM624 (TALL)
22	1	8094687 WELDMENT, RAM624 BLOWER FOOT (SHORT)
23	1	8094437 COUPLING, BLOWER VXT
24	1	8094438 U-JOINT, SPICER
25	1	8095373 PLATE, GUARD PTO SHAFT
26	1	8094935 WELDMENT, 8" 90 ELBOW W/FLANGE
27	1	8092966-010.00 TUBE, TEX-AQUA-HD, 8" X 10"
28	12	U120050 NUT, LOCK .875-9 ZP G5
29	1	8095471 WELDMENT, 8" ELBOW 45 DEG
30	1	8092811 GASKET, BLOWER FLANGE
31	12	U001561 SCREW, HC .875-9 X 2.75 ZP G5
32	1	8092091 SILENCER, AIR 10IN-8OUT
33	8	U120040 NUT, LOCK NY .750-10 ZP G2
34	1	8092814 GASKET, SILENCER FLANGE
35	1	8092519 WELDMENT, SILENCER OUTPUT
36	16	U200160 WASHER, FLAT .750 ZP
37	8	U001420 SCREW, HC .750-10 X 2.50 ZP G5
38	1	8094195 RAIN CAP, 8" SILENT

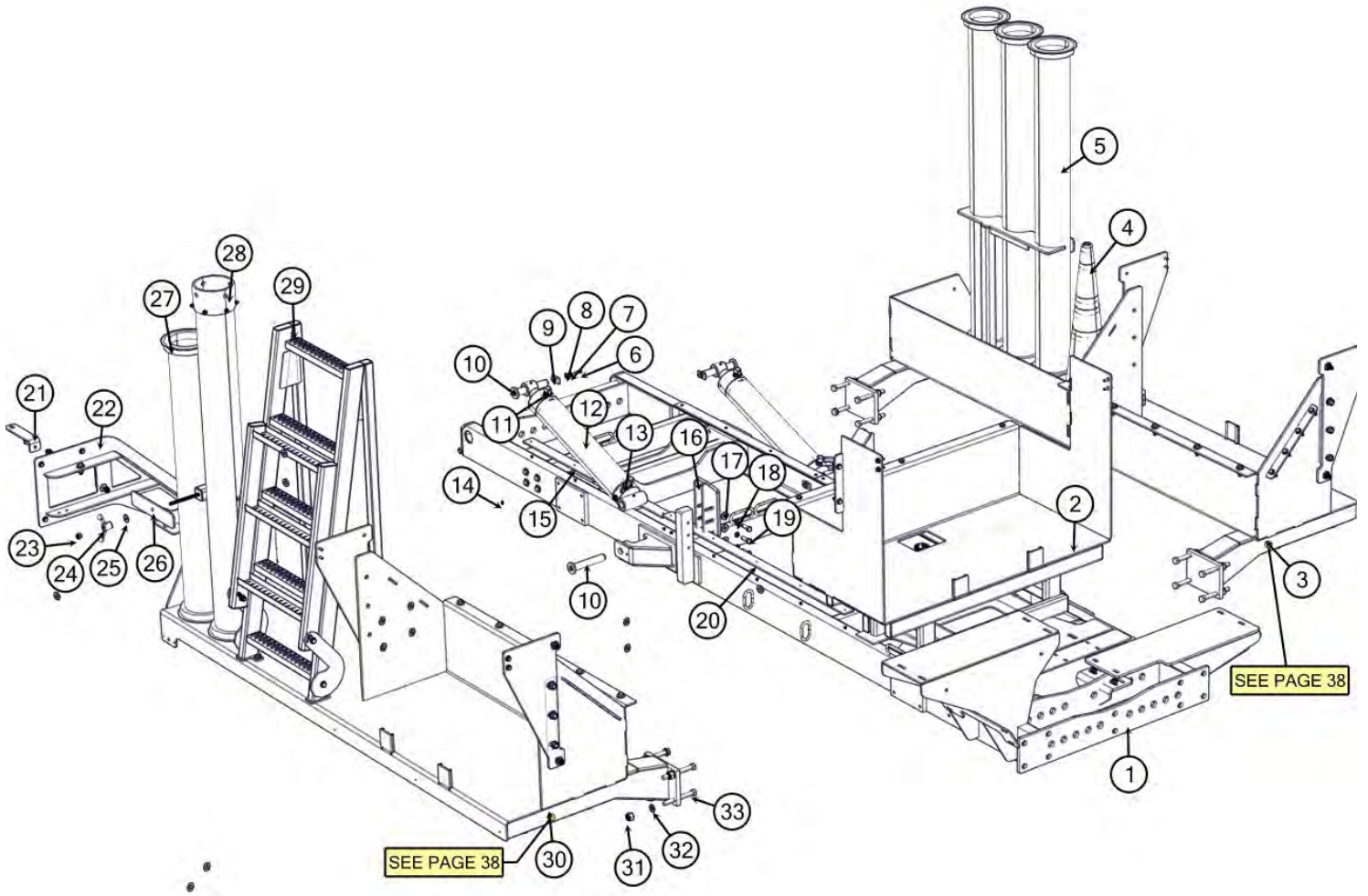
VXT8 WATER PUMP ASSEMBLY



VXT8 WATER PUMP ASSEMBLY

BOM ID	Qty	Name
1	1	8095482 HOSE VAC PUSH 12-115"
2	2	T401340 ELBOW, 90 3/4"MB(ADJ)-3/4"MJ
3	2	U001649 SCREW, HC 12MM-1.25 X 40MM CL8.8
4	2	U210223 WASHER, LOCK 12MM
5	2	U200305 WASHER, FLAT 12MM
6	1	8094241 MOTOR, HYDRAULIC GEAR TYPE
7	1	8093958 ADAPTOR, HYDRAULIC MOTOR SAE B
8	1	8093959 COUPLING, WATER PUMP TO HYD PUMP
9	1	T400100 UNION, 3/4"MP-3/4"MJ
10	1	T401624 ELBOW, 90 1/2"MP-1/2"FP
11	1	T400040 UNION, 1/2"MP-1/2"MJ
12	1	8093957 PUMP, WATER TSF2421 3000PSI
13	1	T400030 REDUCER, 3/8"MP-1/2"MJ
14	1	8095481 HHOSE ASSY VAC 8-280 ST-90
15	1	8095476 MOUNT, UNLOADER AIR VALVE
16	2	T401120 ELBOW, 90 6MP_8MJ
17	1	8048979 VALVE, UNLOADER BLUE W/SWITCH 10GPM,3600PSI,12AMP
18	8	U120000 NUT,LOCK NY .250-20 ZP G2
19	7	U200020 WASHER, FLAT .250 ZP
20	4	U010017 U-BOLT, .250-20
21	1	T400037 UNION, 3/8"MB-3/8"MJ
22	1	8041469 HOSE ASSY VAC 8-16 ST-ST
23	1	8041492 HOSE ASSY VAC 8-18 ST-90
24	1	T400080 REDUCER, 3/4"MP-1/2"MJ
25	1	T402160 TEE, 3/4"FP - 3/4"FP - 3/4"FP
26	1	8040556 VALVE, SAFETY RELIEF KE24A
27	1	8049003 HOSE ASSY VAC 8-30 ST-90
28	1	8040677 CLAMP, HOSE 1 1/4-2 1/8 HD
29	1	8042941 HOSE VAC CLEAR VINYL 1-1/4-27
30	2	8042006 HOSE ASSY VAC 6-28 ST-90
31	1	8095804 ASSEMBLY, 2 STACKED PARKER 3-WAY AIR VALVES AND BRACKET
32	4	T400020 UNION 4MP_4MJ
33	2	T401225 ELBOW 90 4FJ_4MJ
34	1	T402035 TEE, 4MJ - 4MJ - 4MJ
35	1	8042927 HOSE ASSY VAC 4-50 ST-ST
36	1	8046493 HOSE ASSY VAC 4-122 ST-90
37	1	8049374 HOSE ASSY VAC 4-120 ST-90

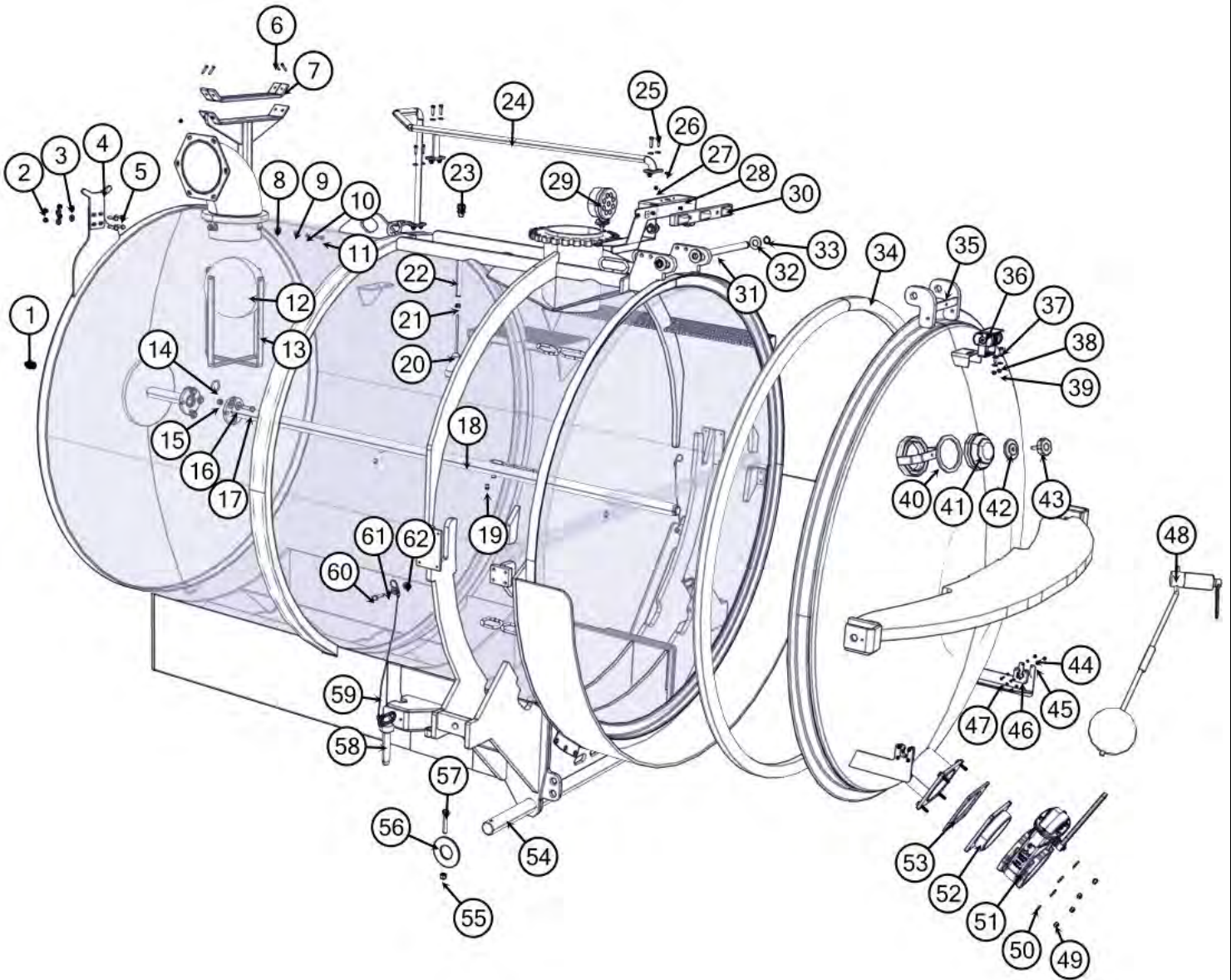
VXT8 SKID ASSEMBLY



VXT8 SKID ASSEMBLY

BOM ID	Qty	Name
1	1	8092682 WELDMENT, SKID VX200-2000
2	1	8096085 WELDMENT, WATER TANK FRAME CENTER
3	1	8096330 WELDMENT, LEFT WATER TANK FRAME
4	3	8096324 TRAFFIC CONE, 28"
5	3	8092942 TUBE, 6" ALUMINUM 60"LG FLANGE TO FLANGE
6	4	U000420 SCREW, HC .375-16 X 1.00 ZP G5
7	4	U210060 WASHER, LOCK .375 ZP
8	4	U200060 WASHER, FLAT .375 ZP
9	4	8091173 PIN RETENTION PLATE
10	4	8094489 WELDMENT, TANK PIVOT PIN
11	4	T401270 ELBOW, 90 8MB - 6MJ
12	2	8044825 CYLINDER, HYD 4" X 20"
13	2	8048286 VALVE CHECK VELOCITY (6.0 GPM)
14	2	T500030 FITTING, GREASE. 125 NPT STR
15	2	8093840 STRIP, PLASTIC SKID/TANK (CONTACT 2)
16	2	8092998 WELDMENT, TANK GUIDE HEAVY
17	12	U200100 WASHER, FLAT .500 ZP
18	12	U210100 WASHER, LOCK .500 ZP
19	12	U000840 SCREW, HC .500-13 X 1.50 ZP G5
20	2	8093839 STRIP, PLASTIC SKID/TANK (CONTACT 1)
21	1	8096091 BRACKET, SUPPORT VERTICAL
22	1	8096082 WELDMENT, VERTICAL WATER REEL MOUNT
23	1	U160018 NUT, LOCK .500-13 NY ZP
24	1	8041594 HANDLE, WING REV FLOW CYC/FILTE
25	1	U200100 WASHER, FLAT .500 ZP
26	1	8096145 PLATE, BOOM TOOL STORAGE CLOSURE
27	1	8096152 TUBE, 6" ALUMINUM 48"LG
28	1	8093709 ASSEMBLY, TOOL SUCTION 6"
29	1	8096174 ASSEMBLY, LADDER
30	1	8096329 WELDMENT, WATER TANK
31	8	U120143 NUT, LOCK .625-11 NY ZP G8 HEAVY
32	22	U200150 WASHER FLAT .625 ZP SAE HARD
33	8	U001336 SCREW, HC .625-11 X 6.00 ZP G5

VXT8 SPOIL TANK & DOOR ASSEMBLY

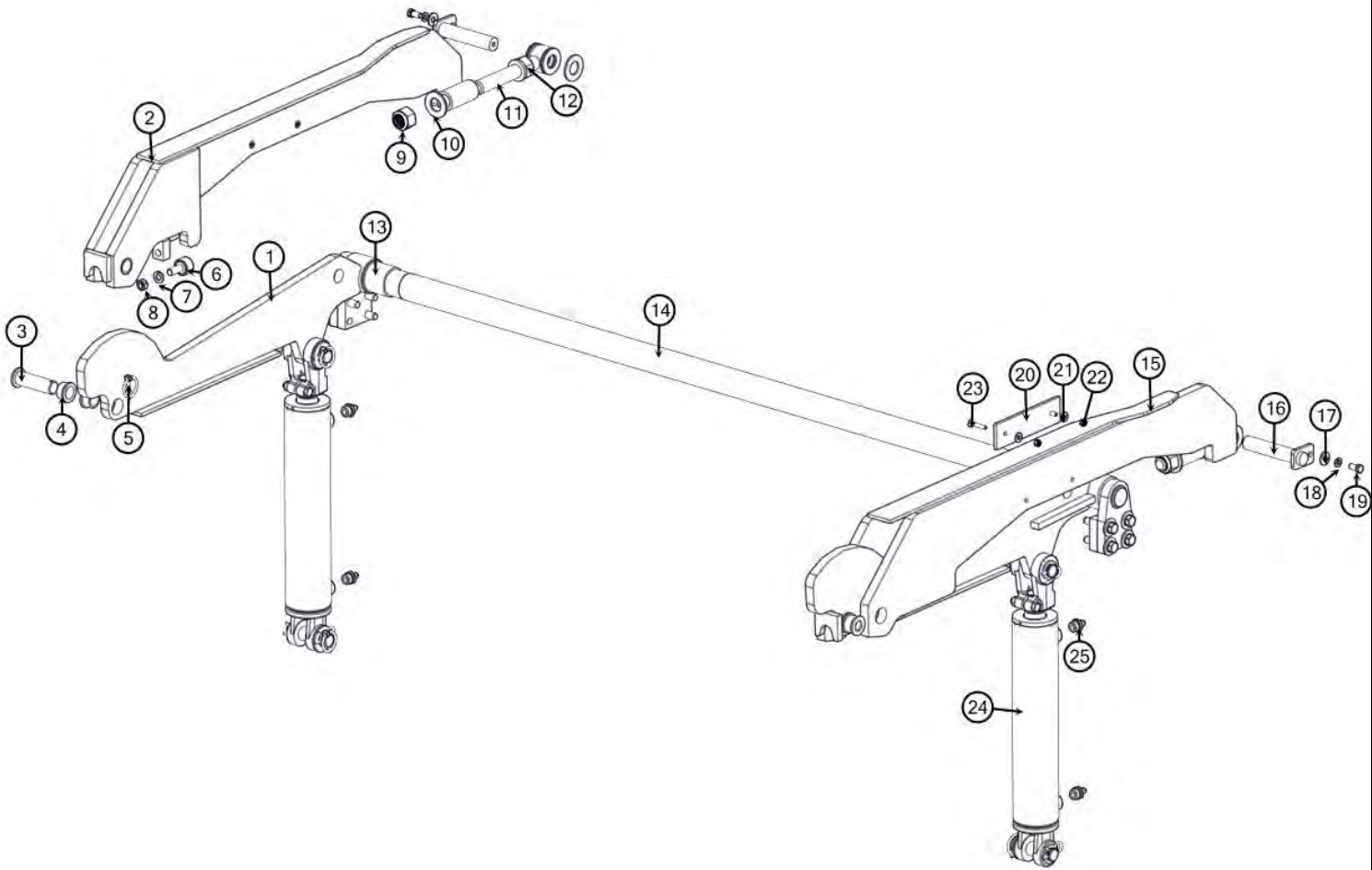


VXT8 SPOIL TANK & DOOR ASSEMBLY

BOM ID	Qty	Name
1	1	T400445 REDUCER 16MP-8MJ
2	4	U110060 NUT, ST .375-16 ZP G2
3	5	U200060 WASHER FLAT .375 ZP
4	1	8092900 PLATE, FITRATION SUPPORT CRADLE
5	4	U000460 SCREW, HC .375-16 X 1.50 ZP G5
6	4	U030018 SCREW, SFH .250-20 X 1.50 Z
7	2	8047711 STRIP,RUBBER BOOM FOOT
8	4	U100062 NUT,CLIP .375-16 PHOSPHATE
9	4	U200060 WASHER FLAT .375 ZP
10	4	U210060 WASHER, LOCK .375 ZP
11	4	U000440 SCREW, HC .375-16 X 1.25 ZP G5
12	1	8043686 BALL FLOAT 10"OD STAINLESS
13	1	8092438 CAGE,FLOAT BALL 10"
14	1	8030446 O'RING #328 BUNA-N
15	4	U160018 NUT,LOCK .500-13 NY ZP
16	8	U200100 WASHER, FLAT .500 ZP
17	4	U000880 SCREW, HC .500-13 X 2.00 ZP G5
18	1	8094636 WELDMENT, TANK CLEANOUT 1600 66"OD
19	5	8030369 NOZZLE,TANK CLEANOUT .20"X 40DEG.X 1/4 MP
20	1	8030531 SWITCH FLUID LEVEL SPOIL TANK
21	1	8041291 BUSHING, RUBBER 7/8" HEAD 21/32" BODY
22	1	8040769 TUBE TANK FULL SWITCH 8 INCH
23	1	X000113 STRAIN RELIEF 1/2NPT .250-.375
24	1	8096176 WELDMENT, SAFETY HAND RAIL
25	6	U000220 SCREW, HC .312-18 X 1.25 ZP G5
26	12	U200040 WASHER, FLAT .312 ZP
27	6	U110040 NUT, LOCK .3125-18 NY ZP G2
28	1	8047253 STROBE LIGHT BRACKET 250 (STRONGARM)
29	1	8093939 LIGHT,WORK OPTILUX 5RD
30	1	8041509 LIGHT TANK CLEARANCE 3 BAR
31	1	8040058 DOOR HINGE ROD
32	6	U200170 WASHER, FLAT 1.00

BOM ID	Qty	Name
33	2	U500020 SNAP RING, EXT 1" SHAFT ZP
34	1	8093728 SEAL, DOOR 66" DIA TANK
35	1	8096358 WELDMENT, DOOR 1600 600 GAL
36	1	8094888 CAMERA, BACK UP
37	2	U000040 SCREW, HC .250-20 X .750 ZP G5
38	4	U200020 WASHER, FLAT .250 ZP
39	2	U120000 NUT, LOCK NY .250-20 ZP G2
40	1	8032007 GASKET, 4"FLAT ALUM COUPLER
41	1	8031048 SIGHTGLASS, 5"GLASS ONLY
42	1	8031047 PLATE, SIGHT GLASS
43	1	8031046 SCREW, HANDWHEEL SIGHT GLASS
44	8	U030800 NUT, LOCK NY #8-32
45	16	U030801 WASHER, FLAT #8
46	2	8094605 GRIPPER, TOOL STORAGE
47	8	U030794 SCREW, PAN HD PHIL #8-32 X 1.00
48	1	8092325 GAUGE, SPOIL FLOAT
49	4	U120132 NUT, LOCK .438-14 NY
50	4	U200063 WASHER, FLAT .438 ZP
51	1	8030849 VALVE, 6"GATE BRASS LEVER TYPE
52	1	8046199 GATE VALVE TANK FLANGE 6"
53	1	8046191 GASKET DOOR LE INLET/OUTLET 1/4" THICK
54	1	8092765 ROD, TANK PIVOT VSK2600-3000
55	2	U160018 NUT,LOCK .500-13 NY ZP
56	2	U200180 WASHER, FLAT 2.125ID X 4.5OD
57	2	U000930 SCREW, HC .500-13 X 3.00 ZP G5
58	2	8041626 PIN HITCH 1" X 4 1/2"
59	2	8093841 ASSEMBLY,LANYARD CABLE 30"LG DOUBLE-DOUBLE
60	1	U000460 SCREW, HC .375-16 X 1.50 ZP G5
61	1	U210060 WASHER, LOCK .375 ZP
62	2	U200060 WASHER FLAT .375 ZP

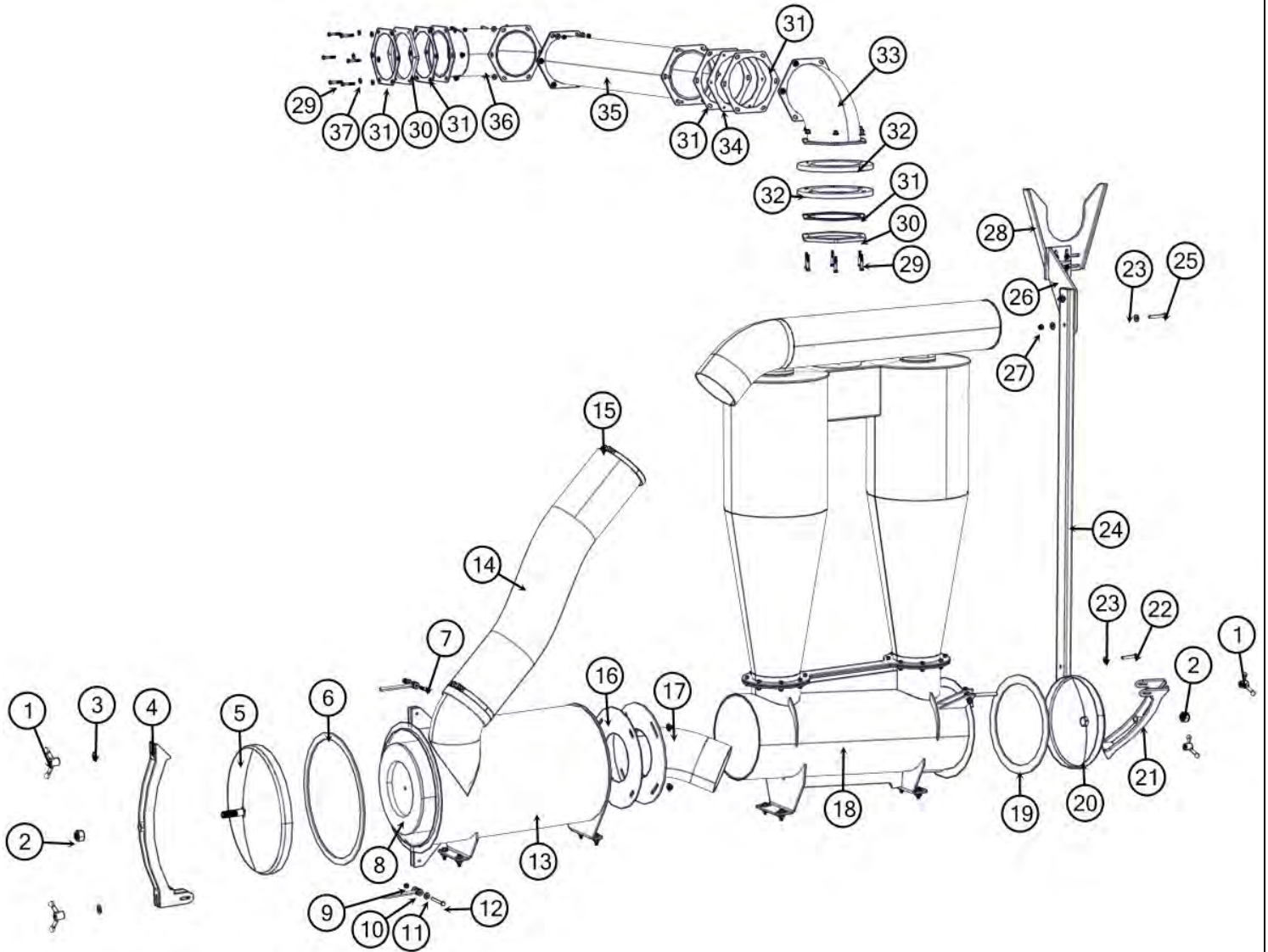
VXT8 HYDRAULIC ARM ASSEMBLY



VXT8 HYDRAULIC ARM ASSEMBLY

BOM ID	Qty	Name
1	1	8047958 LINKAGE ARM SHORT (RIGHT) WELDMENT
2	1	8044867 LINKAGE ARM LONG (CURB) WELDMENT
3	6	8042489 CYLINDER PIN
4	8	8041883 BUSHING BRONZE 1.25 X 1.00 X .63 FL
5	6	U340050 PIN LINCH 3/16 X 1 9/16 ZP
6	2	W000020 BEARING, CAMROL 1.25"
7	2	U210100 WASHER, LOCK .500 ZP
8	2	U160015 NUT, JAM .500-20
9	2	U120060 NUT, LOCK 1.00-8 NY ZP G2
10	12	U200170 WASHER, FLAT 1.00
11	2	8043131 ROD END 1"-8 X 7 1/2"LG
12	2	U100240 NUT, HEX 1.00-8 ZP G2
13	2	8041602 BUSHING BRONZE 2.25 X 2.00 X 2.00 FL
14	1	8093597 LINKAGE CROSS TUBE WELDMENT
15	1	8044868 LINKAGE ARM LONG (STREET) WELDMENT
16	2	8043844 CYLINDER PIN FLANGED 1" X 5 1/2"LG
17	2	U200060 WASHER, FLAT .375 ZP
18	2	U210060 WASHER, LOCK .375 ZP
19	2	U000400 SCREW, HC .375-16 X .75 ZP G5
20	2	8047449 PLASTIC STRIP HYD DOOR GUIDE
21	4	U200020 WASHER, FLAT .250 ZP
22	4	U120000 NUT, LOCK NY .250-20 ZP G2
23	4	U030018 SCREW, SFH .250-20 X 1.50 ZP
24	2	8092326 CYLINDER, HYD 3" X 12"
25	4	T400611 REDUCER, 8MB-4MJ

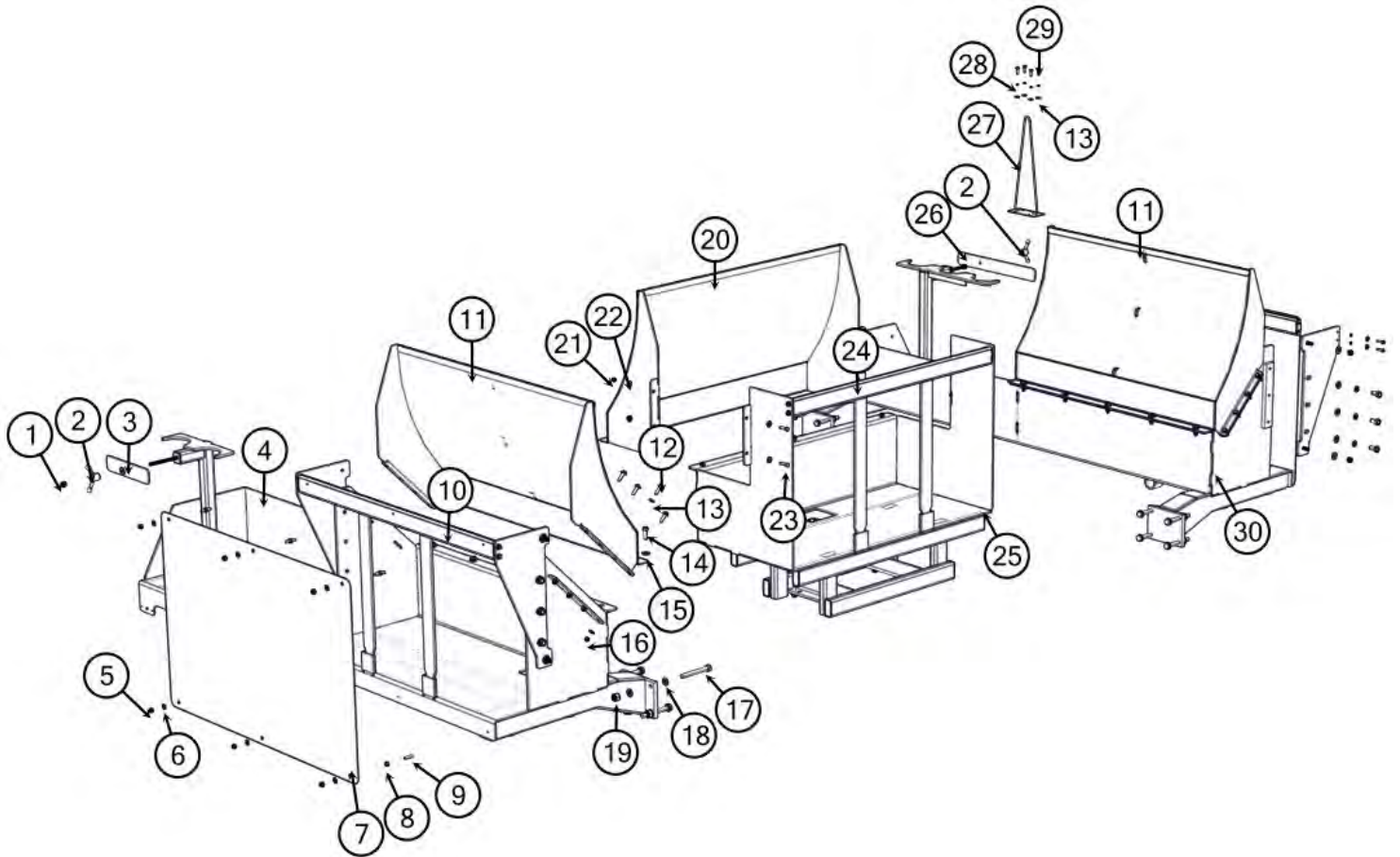
VXT8 FILTRATION ASSEMBLY



VXT8 FILTRATION ASSEMBLY

DOM ID	Qty	Name
1	4	8041594 HANDLE, WING REV FLOW CYC/FILTE
2	2	U120060 NUT,LOCK 1.00-8 NY ZP G2
3	2	U200100 WASHER, FLAT .500 ZP
4	1	8092007 AIR FILTER LATCH, 3000 CFM SINGLE
5	1	8092009 AIR FILTER DOME, 3000 CFM SINGLE
6	1	8092008 GASKET, AIR FILTER HD VX-200
7	2	U000520 SCREW, HC .375-16 X 2.25 ZP G5
8	1	8092258 FILTER, AIR 3200 CFM
9	4	U120110 NUT, LOCK .375-16 NY ZP
10	4	8041593 BOLT, EYE 1 2-13 X 6
11	18	U200060 WASHER, FLAT .375 ZP
12	2	U000580 SCREW, HC .375-16 X 3.50 ZP G5
13	1	8092282 AIR FILTER ASSY, 3000 CFM SINGLE
14	1	8092966-45.00 TUBE, TEX-AQUA-HD 8 X 45.00 "LG
15	2	8092896 CLAMP T-BOLT 8" HOSE
16	1	8092815 GASKET, AIR FILTER OUTLET
17	1	8092661 WELDMENT, AIR FILTER OUTLET
18	1	8091639 ASSEMBLY, CYCLONE HD HOUSING
19	1	8041612 GASKET, REV. FLOW CYCLONE
20	1	8041402 DOME, CYCLONE REV FLOW
21	1	8041552 LATCH, CYCLONE DOME REV FLOW
22	2	U000935 SCREW, HC .500-13 X 3.00 ZP G8
23	6	U200100 WASHER, FLAT .500 ZP
24	1	8092843 BRACE, REC TUBE (CYCLONE)
25	2	U000940 SCREW, HC .500-13 X 3.50 ZP G5
26	1	8092941 WELDMENT, FILTRATION SUPPORT
27	2	U160018 NUT,LOCK .500-13 NY ZP
28	1	8093047 WELDMENT,FILTRATION SUPPORT CRADLE
29	12	U000520 SCREW, HC .375-16 X 2.25 ZP G5
30	2	8092892 PLATE, FILTRATION SPACER
31	6	8092436 GASKET, FILTRATION CONNECTION SEAL THIN
32	2	8092434 SEAL, FILTRATION CONNECTION
33	1	8092431 WELDMENT, FILTRATION ELBOW 2
34	1	8092916 PLATE, FILTRATION CONNECTION
35	1	8092888 WELDMENT, PIPE FILTRATION LONG
36	1	8092430 WELDMENT, FILTRATION ELBOW 1
37	55	U200060 WASHER, FLAT .375 ZP

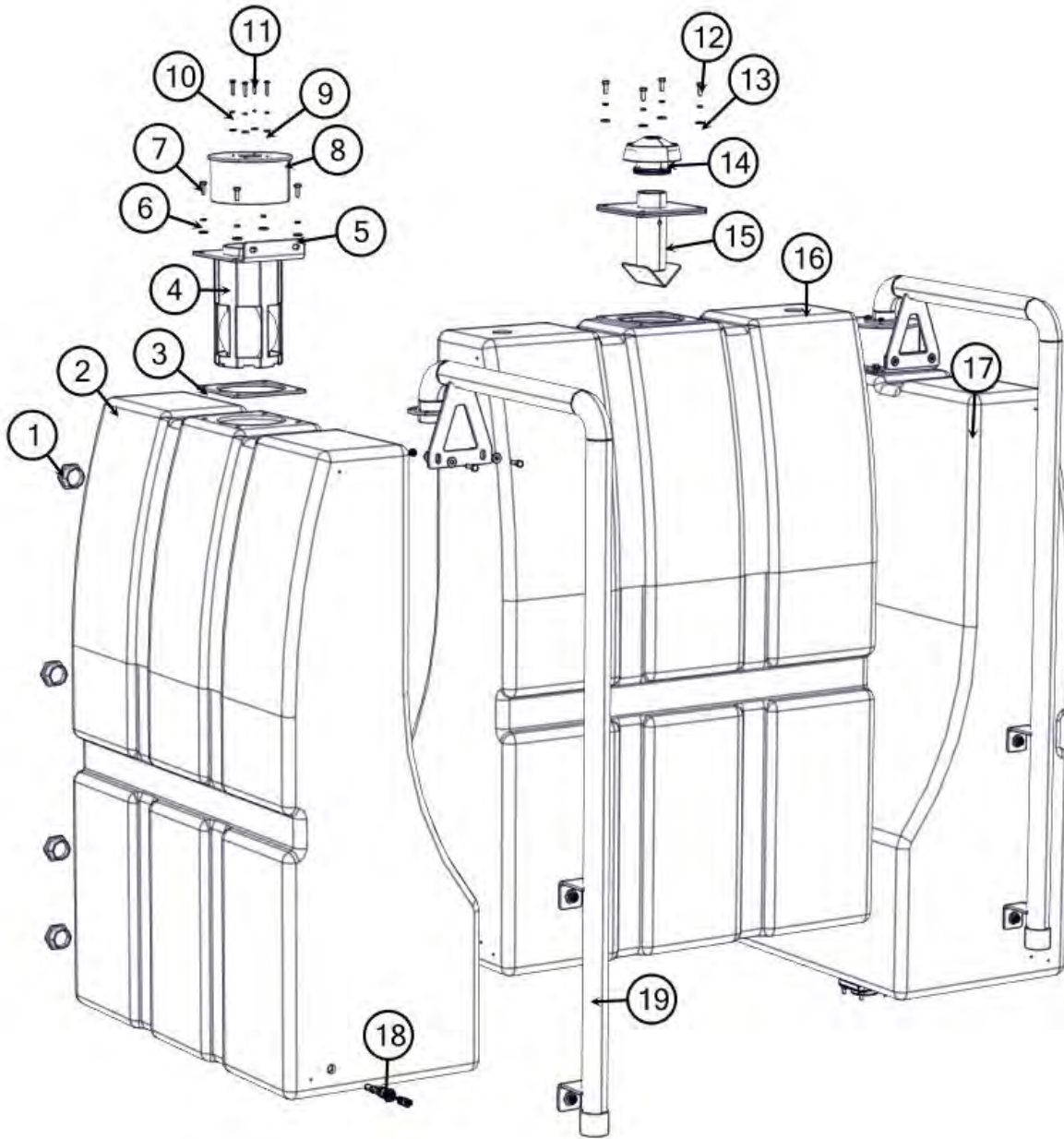
VXT8 WATER TANK FRAME ASSEMBLY



VXT8 WATER TANK FRAME ASSEMBLY

BOM ID	Qty	Name
1	16	U160018 NUT, LOCK .500-13 NY ZP
2	2	8041594 HANDLE,WING REV FLOW CYC/FILTE
3	1	8096145 PLATE, BOOM TOOL STORAGE CLOSURE
4	1	8096329 WELDMENT, WATER TANK
5	12	U120111 NUT,LOCK .375-16 NY SS
6	12	U200066 WASHER,FLAT .375 18-8 SS
7	2	8096747 PLATE, BILLBOARD VXT
8	12	U120112 NUT,HEX FINISHED 3/8-16 SS
9	6	8096758 PLATE,GUARD ENCLOSURE-TOOLBOX
10	2	8096748 BRACE, SIDE WATER TANK
11	2	8096089 WELDMENT, WATER TANK BACKING
12	16	U000460 SCREW, HC .375-16 X 1.50 ZP G5
13	36	U200060 WASHER, FLAT .375 ZP
14	10	U000840 SCREW, HC .500-13 X 1.50 ZP G5
15	26	U200100 WASHER, FLAT .500 ZP
16	10	U110060 NUT, ST .375-16 ZP G2
17	16	U001336 SCREW,HC .625-11 X 6.00 ZP G5
18	24	U200150 WASHER, FLAT .625 ZP SAE HARD
19	16	U120143 NUT, LOCK .625-11 NY ZP G8 HEAVY
20	1	8096088 WELDMENT,WATER TANK BACKING (CENTER)
21	7	U110060 NUT, ST .375-16 ZP G2
22	13	U200060 WASHER FLAT .375 ZP
23	7	U000460 SCREW, HC .375-16 X 1.50 ZP G5
24	1	8096098 WELDMENT,WATER TANK CROSSBRACE (CENTER TANK)
25	1	8096085 WELDMENT, WATER TANK FRAME CENTER
26	1	8096544 PLATE,TUBE STORAGE RETAINER
27	1	8096545 HOLDER,CONE TRAFFIC
28	4	U210060 WASHER, LOCK .375 ZP
29	4	U000420 SCREW, HC .375-16 X 1.00 ZP G5
30	1	8096330 WELDMENT, LEFT WATER TANK FRAME

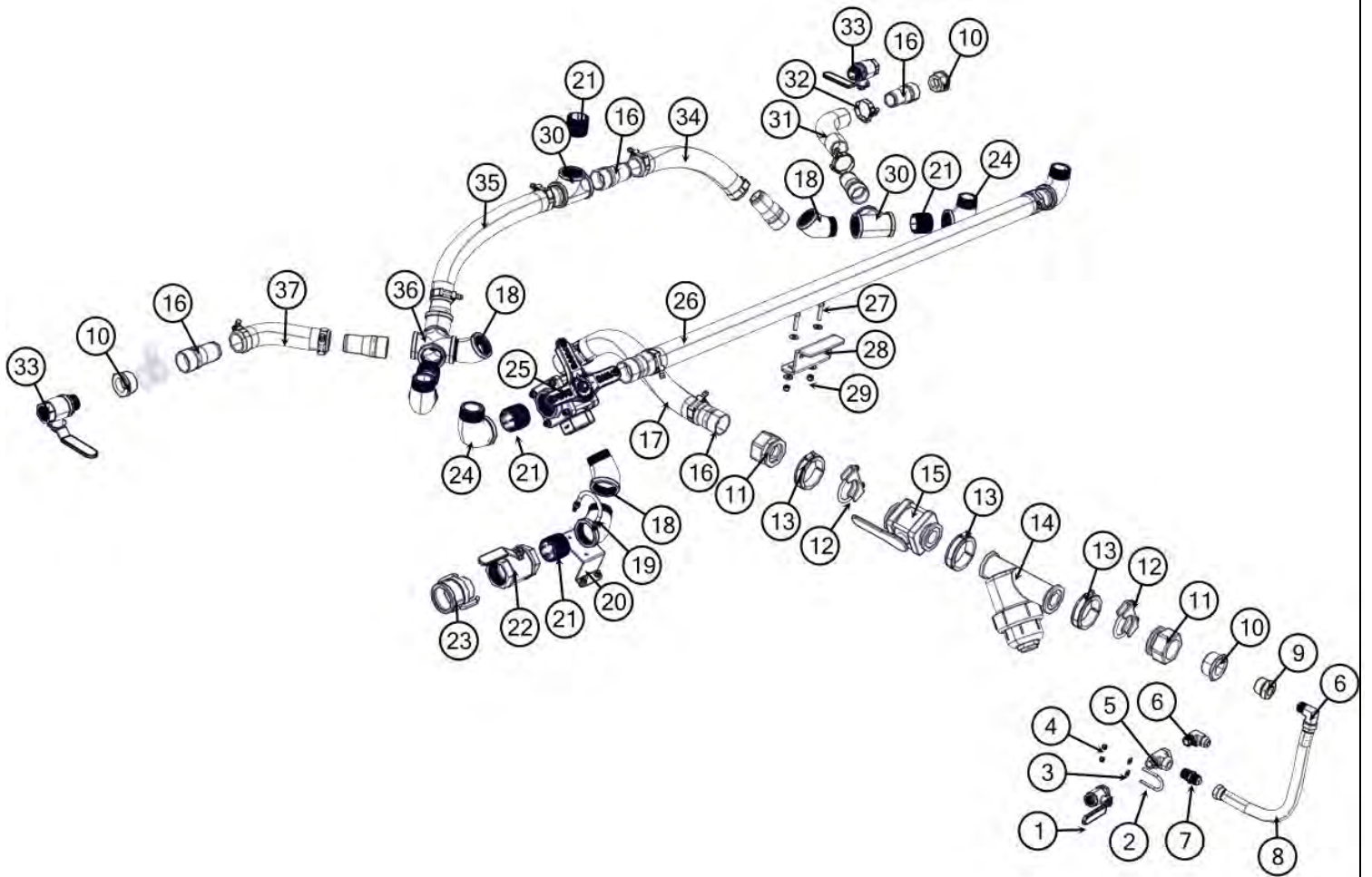
VXT8 WATER TANK ASSEMBLY



VXT8 WATER TANK ASSEMBLY

BOM ID	Qty	Name
1	8	8095142 SIGHT GLASS, 2"NPT HIGH VIS
2	1	8096749 ASSEMBLY, TANK, WATER, 200 GAL RIGHT
3	2	8094558 GASKET, SADDLE TANK CHECK VALVE
4	2	8094485 ASSEMBLY, FLOAT WATER TANK
5	16	U200060 WASHER, FLAT .375 ZP
6	8	U210060 WASHER, LOCK .375 ZP
7	8	U000420 SCREW, HC .375-16 X 1.00 ZP G5
8	2	8094105 WELDMENT, QUICKFILL ATTACHMENT
9	8	U200020 WASHER, FLAT .250 ZP
10	8	U210020 WASHER LOCK .250 ZP
11	8	U000080 SCREW, HC .250-20 X 1.25 ZP G5
12	4	U000420 SCREW, HC .375-16 X 1.00 ZP G5
13	4	U200060 WASHER FLAT .375 ZP
14	1	8091506-01 CAP, AIR IN-TAKE
15	1	8094462 WELDMENT, VENT WATER TANK
16	1	8096097 ASSEMBLY, WATER TANK 200 GAL (CENTER)
17	1	8096112 ASSEMBLY, TANK WATER 200 GAL (LEFT)
18	1	8090896 SWITCH, WATER LEVEL W/DEUTSCH DT 2 CAV PLUG
19	2	8094480 WELDMENT, QUICK FILL 200 GALL

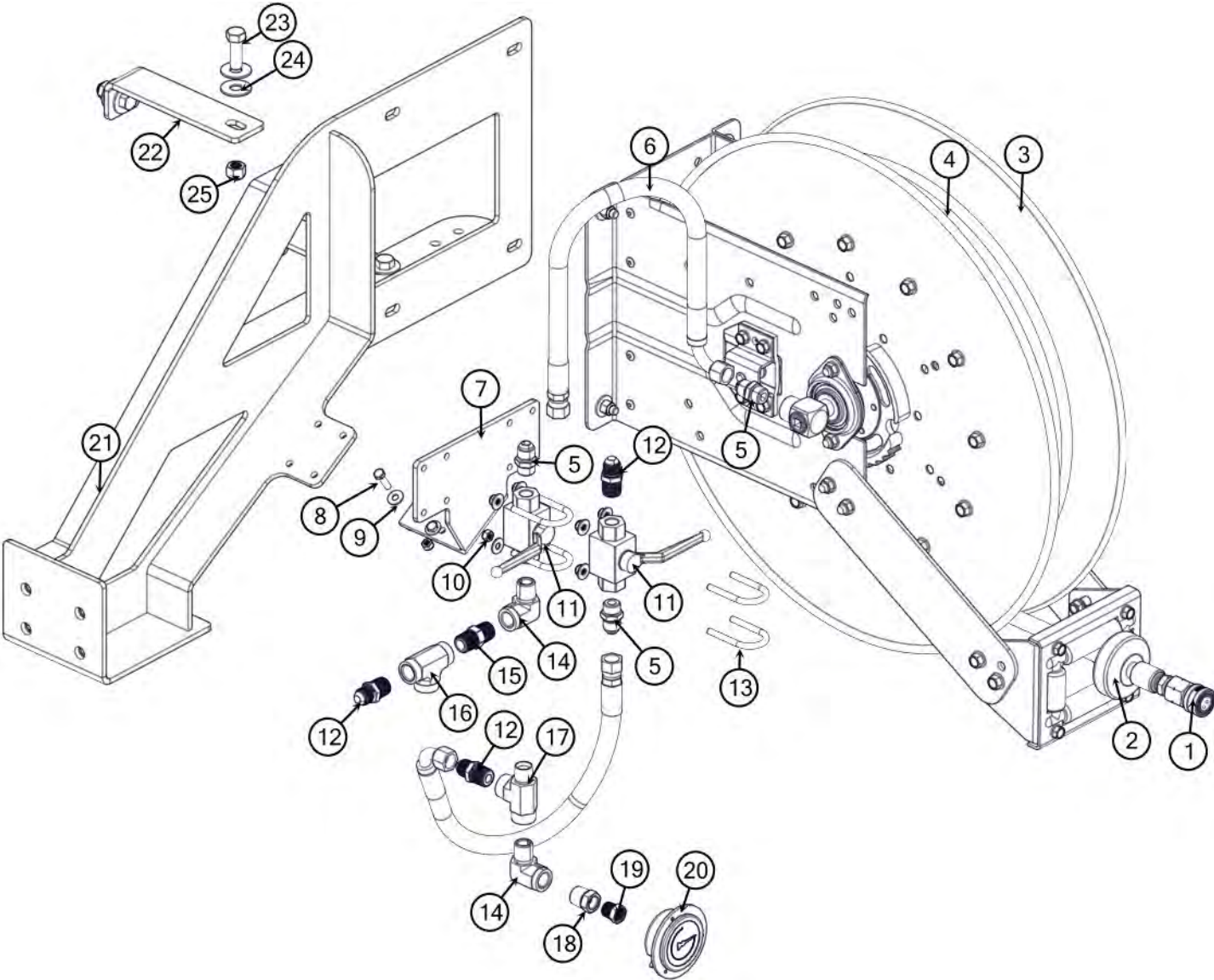
VXT8 WATER TANK PLUMBING ASSEMBLY



VXT8 WATER TANK PLUMBING ASSEMBLY

BOM ID	Qty	Name
1	1	T000185 VALVE, BALL 3/4" FNPT BRASS W/ FULL PORT
2	1	U010017 U-BOLT, .250-20
3	2	U200020 WASHER FLAT .250 ZP
4	2	U120000 NUT, LOCK NY .250-20 ZP G2
5	1	T402080 TEE, 12MP - 12FP - 12FP
6	2	T401180 ELBOW, 90 12MP - 12MJ
7	1	T400100 UNION, 3/4"MP-3/4"MJ
8	1	8030539-019.50 HOSE, PUSHLOCK 12 X 19.50" LG
9	1	T403100 REDUCER 20MP-12FP
10	3	8043843 REDUCER, 2"MP-1-1/4"FP GALV
11	2	8030996 MANIFOLD,2"BANJO FEMALE ADAPTR
12	2	8031373 CLAMP,U-BOLT 2.5"EXHAUST
13	3	8031000 CLAMP,2"BANJO WORM USES GSKT
14	1	8031001 STRAINER,Y 2"FLANGE 80 MESH W/CAP
15	1	8030998 VALVE,2"BALL-MANIFOLD
16	12	T410115 FITTING,2"MNPT-2"BARB STEEL
17	1	8043398-022.75 HOSE, CLEAR 2.00 X 022.75 LG VINYL
18	5	T420127 ELL, STREET 2" 45 DEG GALV
19	1	U800120 CLAMP,U-BOLT 2IN EXHAUST W_ O MOUNTING PLATE
20	1	8096736 PLATE, SUPPORT QUICKFILL
21	5	8030409 NIPPLE, CLOSE 2"SCHD 40 IRON
22	1	8090233 VALVE, BALL 2" W/LEVER HANDLE
23	1	8031219 COUPLING, 2" ALUM MP X FCAMLOCK
24	4	T420126 ELL, STREET 2" 90 DEG GALV
25	1	8094548 VALVE,3-WAY 2"NPT BANJO
26	1	8043398-066.50 HOSE, CLEAR 2.00 X 066.50 LG VINYL
27	2	U000480 SCREW, HC .375-16 X 1.75 ZP G5
28	1	8094559 BRACKET,HOSE SUPPORT
29	2	U110060 NUT, ST .375-16 ZP G2
30	2	T402500 TEE, 2" NPT GALVANIZED
31	1	8043398-012.00 HOSE, CLEAR 2.00 X 012.00 LG VINYL
32	12	8044580 CLAMP HOSE T-BOLT 256
33	2	8045813 VALVE,BALL 1 1/4" M X F BRASS
34	1	8043398-019.00 HOSE, CLEAR 2.00 X 019.00 LG VINYL
35	1	8043398-020.00 HOSE, CLEAR 2.00 X 020.00 LG VINYL
36	1	T406020 CROSS,PIPE 2" FEMALE GALV
37	1	8043398-011.00 HOSE, CLEAR 2.00 X 011.00 LG VINYL

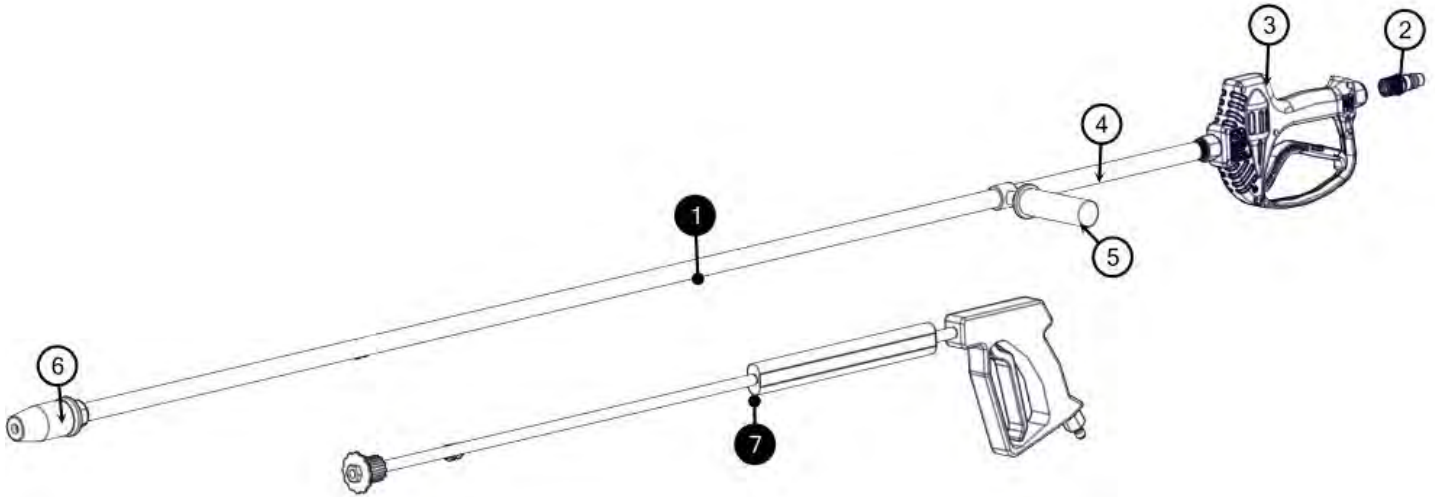
VXT8 WATER REEL ASSEMBLY



VXT8 WATER REEL ASSEMBLY

BOM ID	Qty	Name
1	1	8093824 FITTING, QD WATER 1/2"F-1/2"FP
2	1	8094854 BALL STOPPER 3/8"-100' REEL
3	1	8092722 REEL ONLY SPRGDRVN 1/2 X 75'
4	1	8094735 HOSE ASSY 1/2" X 75'MQD X MQD
5	3	T400140 UNION, 1/2"MB-1/2"MJ
6	1	8047766 HOSE ASSY VAC 8-20 ST-90
7	1	8095868 PLATE, VALVE MOUNT ADAPTER
8	4	U000060 SCREW, HC .250-20 X 1.00 ZP G5
9	16	U200020 WASHER, FLAT .250 ZP
10	12	U100020 NUT, HEX .250-20 ZP G2
11	2	8031197 VALVE, BALL 1/2" 3000 PSI.MIN
12	3	T400040 UNION, 1/2"MP-1/2"MJ
13	4	U010017 U-BOLT, .250-20
14	2	T401624 ELBOW, 90 1/2"MP-1/2"FP
15	1	T404020 UNION, 1/2"MP-1/2"MP
16	1	T402130 TEE, 1/2"FP-1/2"FP-1/2"FP STEEL
17	1	T402156 ADAPTER TEE -8MP -8MP -8FP STEEL
18	1	T400024 REDUCER, 1/2"MP-3/8"FP
19	1	T400023 REDUCER, 3/8"MP-1/4"FP
20	1	8030372 GAUGE, 5000 PSI 2.5"LF CBM
21	1	8096082 WELDMENT, VERTICAL WATER REEL MOUNT
22	2	8096091 BRACKET, SUPPORT VERTICAL
23	4	U000840 SCREW, HC .500-13 X 1.50 ZP G5
24	8	U200100 WASHER, FLAT .500 ZP
25	4	U160018 NUT, LOCK .500-13 NY ZP

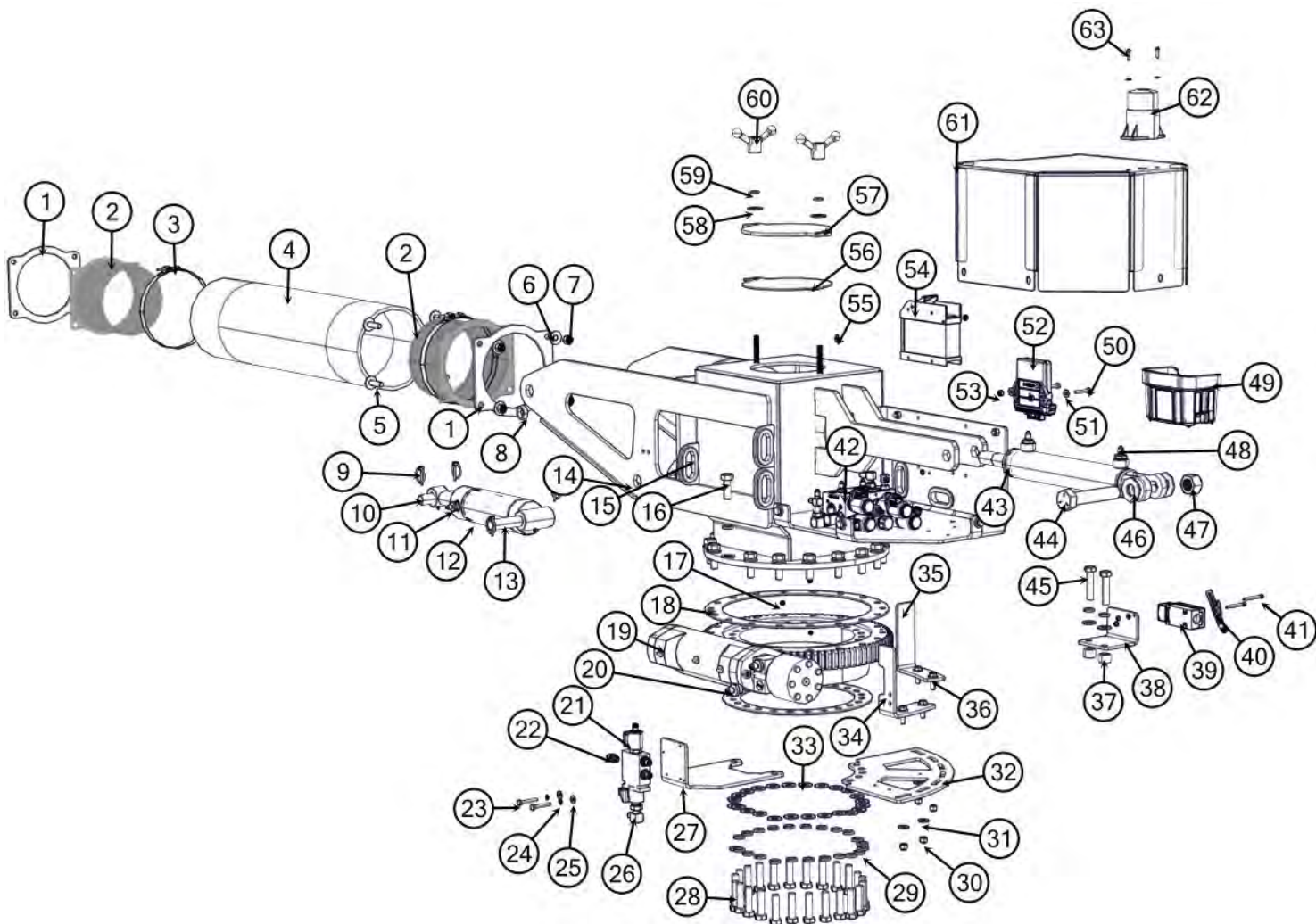
VXT8 TOOLS ASSEMBLY



BOM ID	Qty	Name
1	1	8093810 LANCE ASSEMBLY 72"
2	1	8093823 FITTING, QD WATER 1/2"M-1/2"MP
3	1	8093263 GUN, LANCE
4	1	8093261 ROD, LANCE
5	1	8093262 HANDLE, LANCE
6	1	8093109 NOZZLE, TURBO 1/2"FPT
7	1	8094780 VAC TOOL WASH WAND COMPLETE

PAGE LEFT BLANK

VXT8 6" BOOM TURRET ASSEMBLY

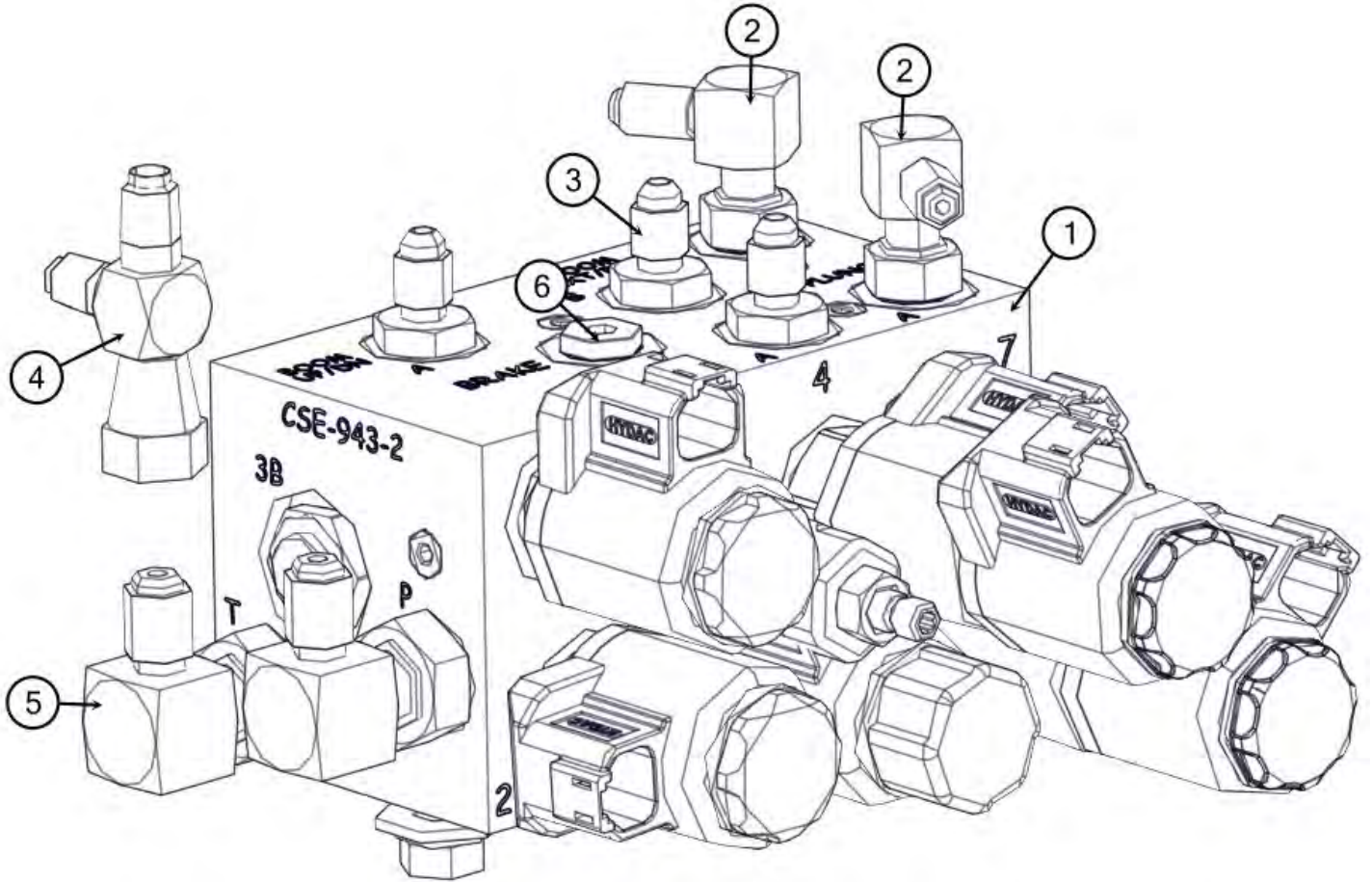


VXT8 6" BOOM TURRET ASSEMBLY

BOM ID	Qty	Name
1	2	8095790 GASKET, BOOM 8" HOSE ADAPTER
2	2	8095767 WELDMENT, BOOM 8" HOSE ADAPTER
3	2	8092896 CLAMP, T-BOLT 8" HOSE
4	1	8092966-032.50 HOSE AG SUCTION 8" X 32.50"LG
5	4	U000880 SCREW, HC .500-13 X 2.00 ZP G5
6	8	U200100 WASHER, FLAT .500 ZP
7	4	U160018 NUT, LOCK .500-13 NY ZP
8	2	8094000 BUSHING, BRONZE 1.25 X 1.00 X .375 CUT
9	4	U340050 PIN LINCH 3/16 X 1 9/16 ZP
10	1	8041990 BOOM PIVOT CYL ROD PIN
11	2	T400611 REDUCER, 8MB - 4MJ
12	1	8046597 CYLINDER, HYD BOOM 3 X 6
13	1	8041977 BOOM PIVOT CYL BASE PIN
14	1	8095752 WELDMENT, BOOM 8" TURRET
15	5	8042812 GROMMET, 2"ID X 3"OD X 1/4"WOG
16	16	U001195 SCREW, HC .625-11 X 1.75 ZP G5
17	2	T500020 FITTING, GREASE .125 STR 1/8"-27 NPT
18	1	8043780 GASKET, BOOM BRG TOP BIG 16.5"
19	1	8042231 BEARING, BOOM HYD ROT ASSY
20	2	T400035 REDUCER, 10MB - 6MJ
21	1	8094016 MANIFOLD, HYD BOOM 6" ASSEMBLY
22	3	T400037 UNION, 6MB-6MJ
23	2	U000110 SCREW, HC .250-20 X 1.75 ZP G5
24	2	U210020 WASHER, LOCK .250 ZP
25	2	U200020 WASHER, FLAT .250 ZP
26	1	T401250 ELBOW, 90 6MB - 6MJ
27	1	8042344 BOOM HYD MANIFOLD MTG PLATE
28	24	U001210 SCREW, HC .625-11 X 2.25 ZP G5
29	42	U210140 WASHER, LOCK .625 ZP
30	4	U110060 NUT, ST .375-16 ZP G2
31	8	U200060 WASHER, FLAT .375 ZP
32	1	8042351 BOOM ROTATION STOP BASE PLATE

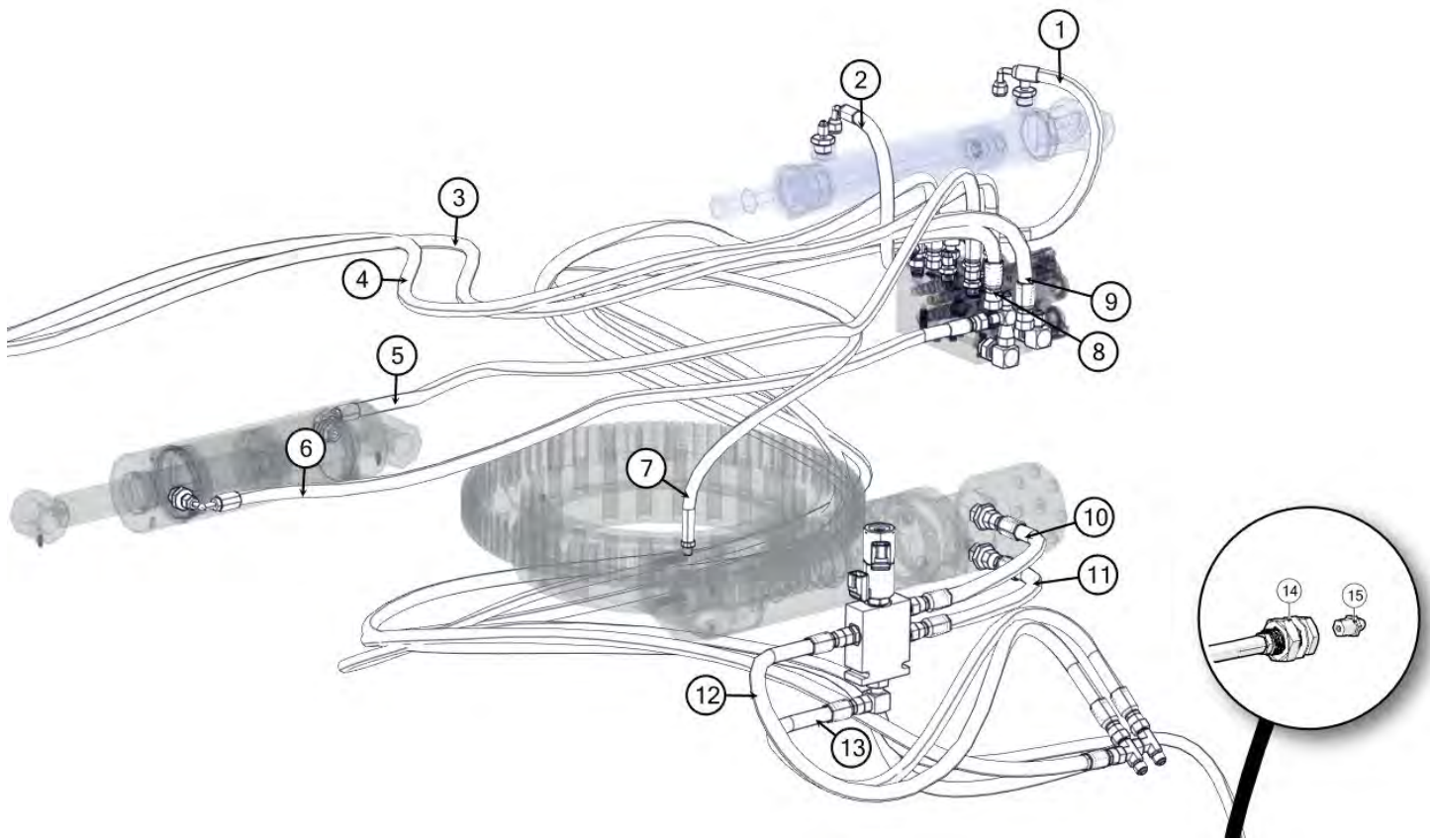
BOM ID	Qty	Name
33	42	U200150 WASHER, FLAT .625 ZP SAE HARD
34	1	8042357 BOOM ROTATION STOP BRACKET
35	1	8042359 BOOM ROTATION STOP BRACKET OPP
36	4	U000440 SCREW, HC .375-16 X 1.25 ZP G5
37	2	8042376 SPACER, LIMIT SWITCH BRACKET BOOM
38	1	8042360 BRACKET, BOOM LIMIT SWITCH
39	1	8042431 SWITCH, LIMIT BOOM
40	1	8042432 SWITCH LIMIT BOOM ADJ LEVER
41	2	U010016 SCREW, HSH #10-24 X 2.25
42	1	8094056 MANIFOLD, BOOM UPPER ASSEMBLY
43	1	8095770 CYLINDER, 2" X 10" 1 1/8" ROD
44	1	U001570 SCREW, HC 1-8 X 5.00 ZP
45	2	U001240 SCREW, HC .625-11 X 2.75 ZP G5
46	2	U200170 WASHER, FLAT 1.00
47	1	U120060 NUT, LOCK 1.00-8 NY ZP G2
48	2	T400611 REDUCER, 8MB - 4MJ
49	1	8094018 TRANSMITTER, MINI MBT BOOM 6"
50	2	U000100 SCREW, HC .250-20 X 1.50 ZP G5
51	4	U200020 WASHER, FLAT .250 ZP
52	1	8094017 RECEIVER, CAN 2 BOOM W/ ANTENNA
53	2	U120000 NUT, LOCK NY .250-20 ZP G2
54	1	8092952 CONTROLLER IFM CAN (BOOM)
55	1	T500030 FITTING, GREASE .125 NPT STR
56	1	8095788 GASKET, BOOM 8" TURRET CLEANOUT
57	1	8095789 PLATE, BOOM 8" TURRET CLEANOUT
58	2	U200100 WASHER, FLAT .500 ZP
59	2	U210100 WASHER, LOCK .500 ZP
60	2	8041594 HANDLE, WING REV FLOW CYC/FILTER
61	1	8094006 WELDMENT, BOOM COVER NO SWITCH
62	1	8043139 LIGHT, STROBE LED DEUTSCH
63	2	U030809 SCREW, PAN HD PHIL 10-24 X .75

VXT8 6" BOOM TURRET MANIFOLD ASSEMBLY



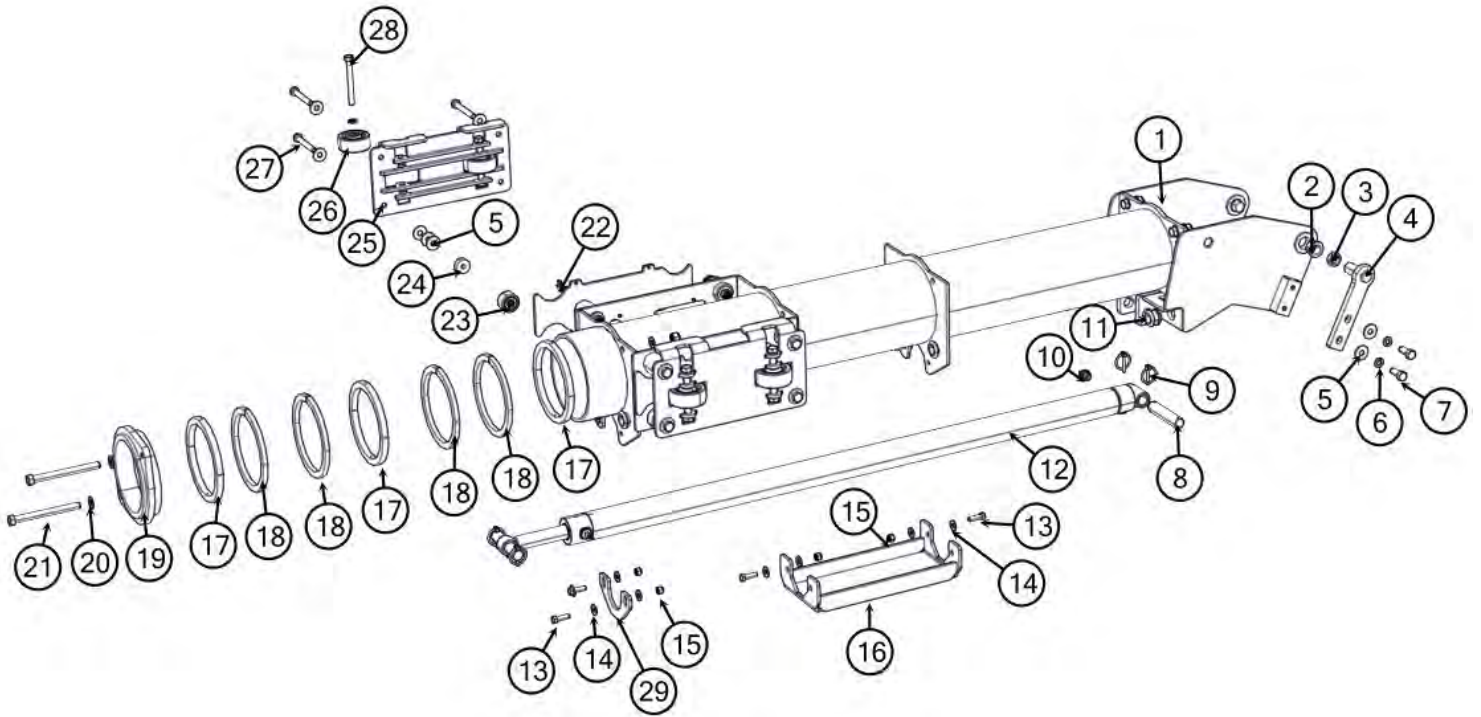
BOM ID	Qty	Name
1	1	8094056 MANIFOLD, BOOM UPPER ASSEMBLY
2	2	T401240 ELBOW, 90 6MB (ADJ) - 4MJ
3	3	T400550 REDUCER, 6MB-4MJ
4	1	T402153 TEE, 6FJ - 6MJ - 6MJ
5	2	T401250 ELBOW, 90 6MB - 6MJ
6	1	T405092 PLUG, 3/8"MB-HEX SOCKET HOLLOW

VXT8 6" BOOM TURRET HOSE ASSEMBLY



BOM ID	Qty	Name
1	1	8047948 HOSE ASSY VAC 4-9 ST-90
2	1	8047949 HOSE ASSY VAC 4-11 ST-90
3	1	8047951 HOSE ASSY VAC 4-95 ST-90
4	1	8049374 HOSE ASSY VAC 4-120" ST-90
5	1	8047714 HOSE ASSY VAC 4-38" ST-90
6	1	8047714 HOSE ASSY VAC 4-38" ST-90
7	1	8049946-180.00 HOSE, FUEL 5/16" X 180"
8	1	8044133 HOSE ASSY VAC 6-120 ST-ST
9	1	8044133 HOSE ASSY VAC 6-120 ST-ST
10	1	8041061 HOSE ASSY VAC 6-9" ST-ST
11	1	8041061 HOSE ASSY VAC 6-9" ST-ST
12	1	8042179 HOSE VAC ASSY 6-36 ST-ST
13	1	8042179 HOSE VAC ASSY 6-36 ST-ST
14	1	T400383 BULKHEAD, 1/4"FP X 1/4"FP
15	1	T500100 FITTING, GREASE.250 NPT STR

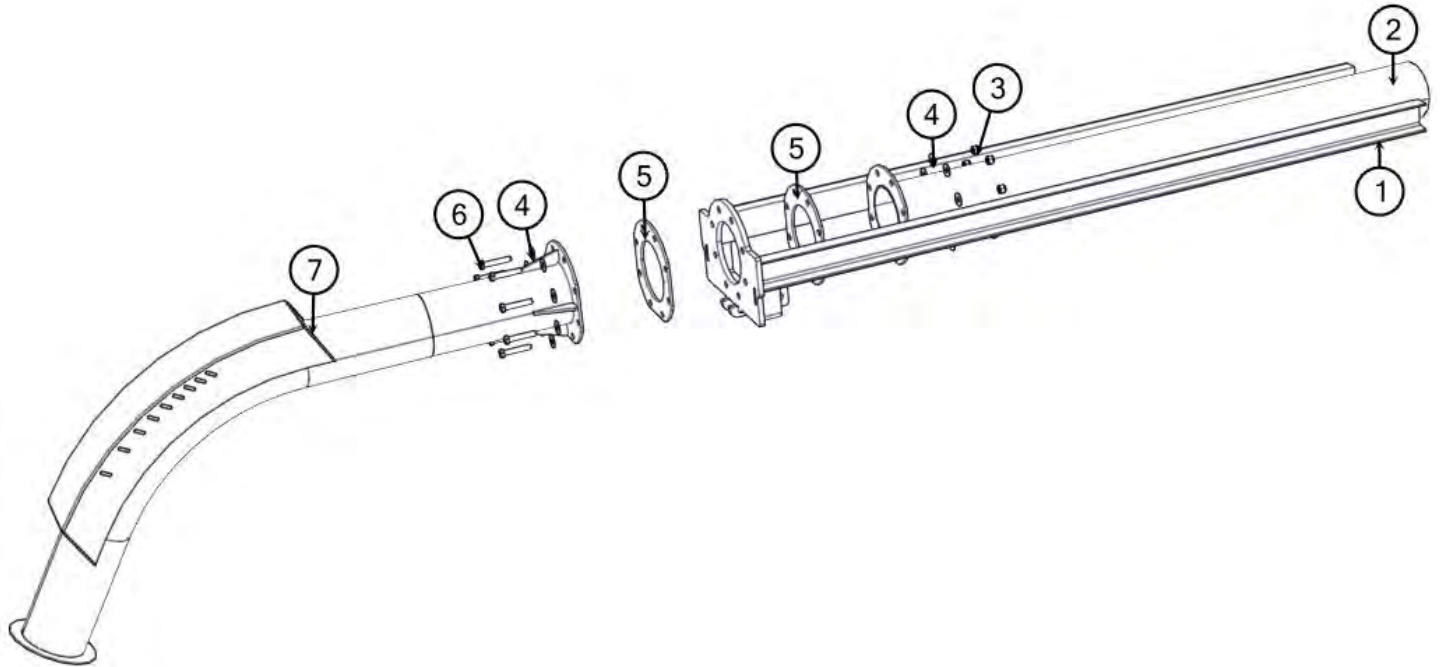
VXT8 BOOM PIVOT ARM ASSEMBLY



VXT8 BOOM PIVOT ARM ASSEMBLY

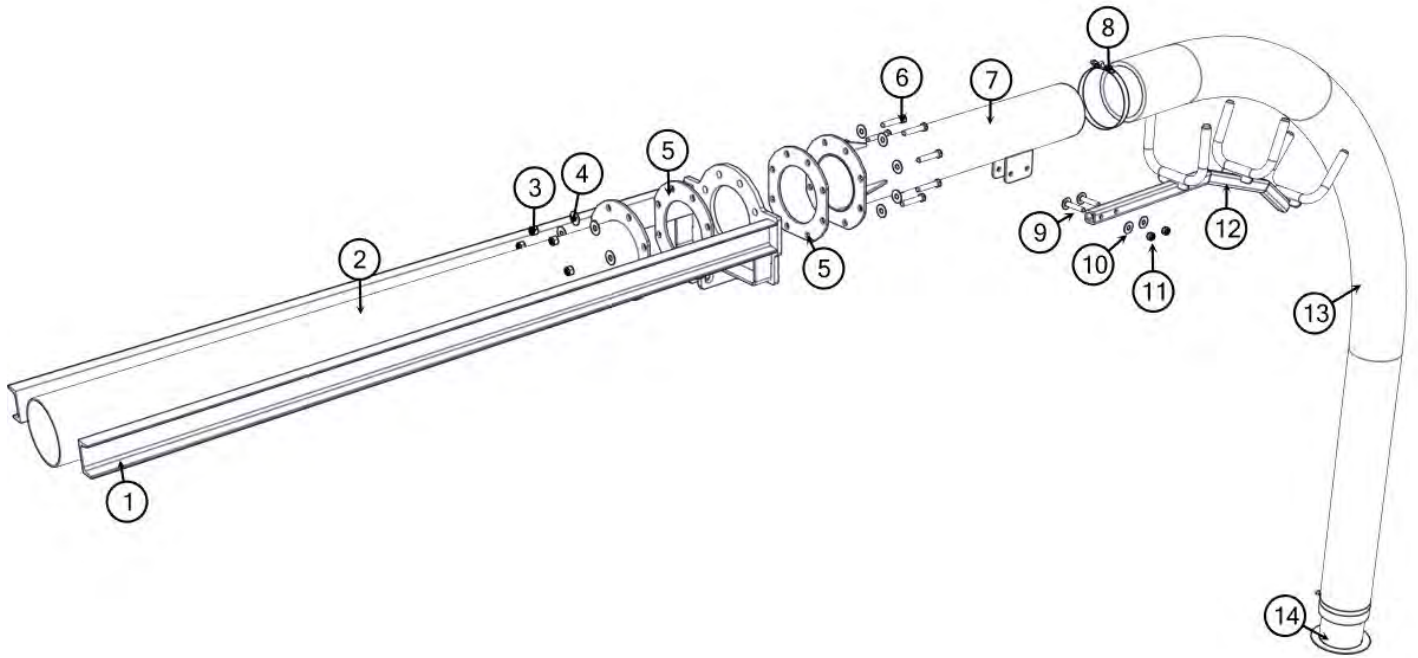
BOM ID	Qty	Name
1	1	8095772 WELDMENT, BOOM 6" PIVOT ARM
2	2	8041883 BUSHING, BRONZE 1.25 X 1.0 X .63 FL
3	2	8094000 BUSHING, BRONZE 1.25 X 1.00 X .375 CUT
4	2	8046634 BOOM PIVOT PIN LP
5	32	U200100 WASHER, FLAT .500 ZP
6	8	U210100 WASHER, LOCK .500 ZP
7	4	U000820 SCREW, HC .500-13 X 1.25 ZP G5
8	2	8041990 BOOM PIVOT CYLINDER ROD PIN
9	4	U340050 PIN LINCH 3/16X1-9/16 ZP
10	2	T400611 REDUCER, 8MB - 4MJ
11	5	8041686 GROMMET, 1"ID 1 1/2"OD-1/2"WOG
12	1	8041926 CYLINDER, HYD BOOM 2" X 48"
13	6	U000440 SCREW, HC .375-16 X 1.25 ZP G5
14	11	U200060 WASHER, FLAT .375 ZP
15	5	U110060 NUT, ST .375-16 ZP G2
16	1	8095279 WELDMENT, BOOM FOOT
17	3	8092142 SLEEVE, PLASTIC 6" BOOM
18	4	8092143 BOOM, 6" PACKING RING
19	1	8091441 WELDMENT, PACKING GLAND 6" BOOM
20	12	U200110 WASHER, FLAT .500 ZP SAE HARD
21	2	U001020 SCREW, HC .500-13 X 5.50 ZP G5
22	2	T500100 FITTING, GREASE .250 NPT STR
23	4	W000055 BEARING, CAMROL 1.75 X 1.0 X 0.50
24	4	8046624 BOOM CAM ROLLER SPACER LP
25	2	8046627 BOOM EXTENSION ARM CAPTURE LP
26	4	8030226 WHEEL, PLASTIC FLUIDSWEEPER 3" X 1 1/4" X 1/2"BORE
27	8	U000960 SCREW, HC .500-13 X 4.00 ZP G5
28	4	U000980 SCREW, HC .500-13 X 4.50 ZP G5
29	1	8041956 PLATE, BOOM PIVOT ARM CYL RETURN

VXT8 BOOM EXTENSION ARM ASSEMBLY



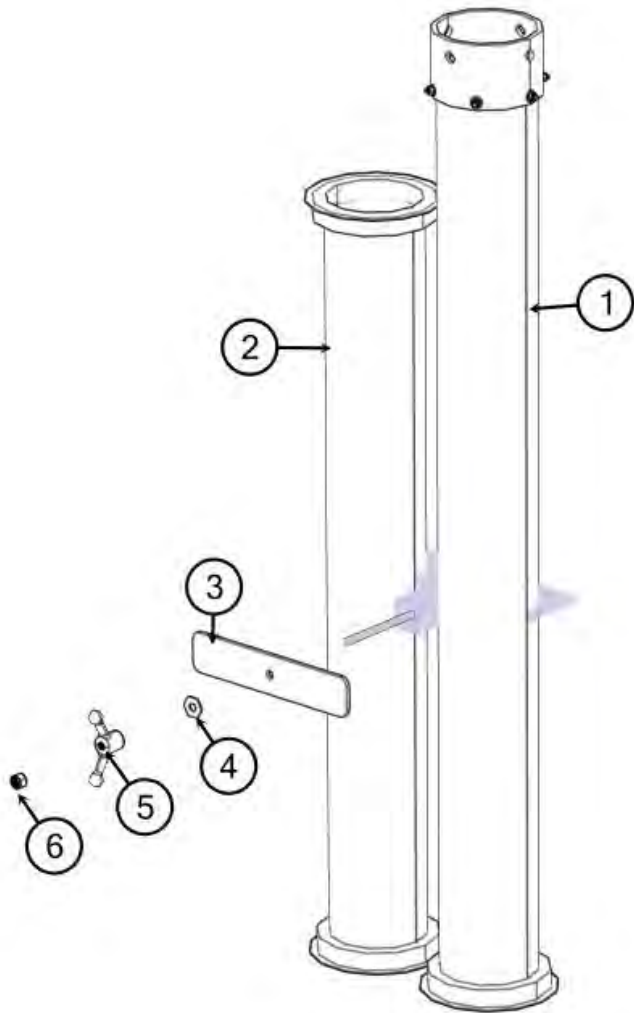
BOM ID	Qty	Name
1	1	8095779 WELDMENT, BOOM 6" EXTENSION
2	1	8092375 WELDMENT, BOOM EXTENSION
3	8	U160018 NUT, LOCK .500-13 NY ZP
4	16	U200100 WASHER, FLAT .500 ZP
5	2	8092939 GASKET, BOOM
6	8	U000920 SCREW, HC .500-13 X 2.75 ZP G5
7	1	8095835 WELDMENT, SHORT 6" BOOM EXT

VXT8 BOOM EXTENSION ARM ASSEMBLY



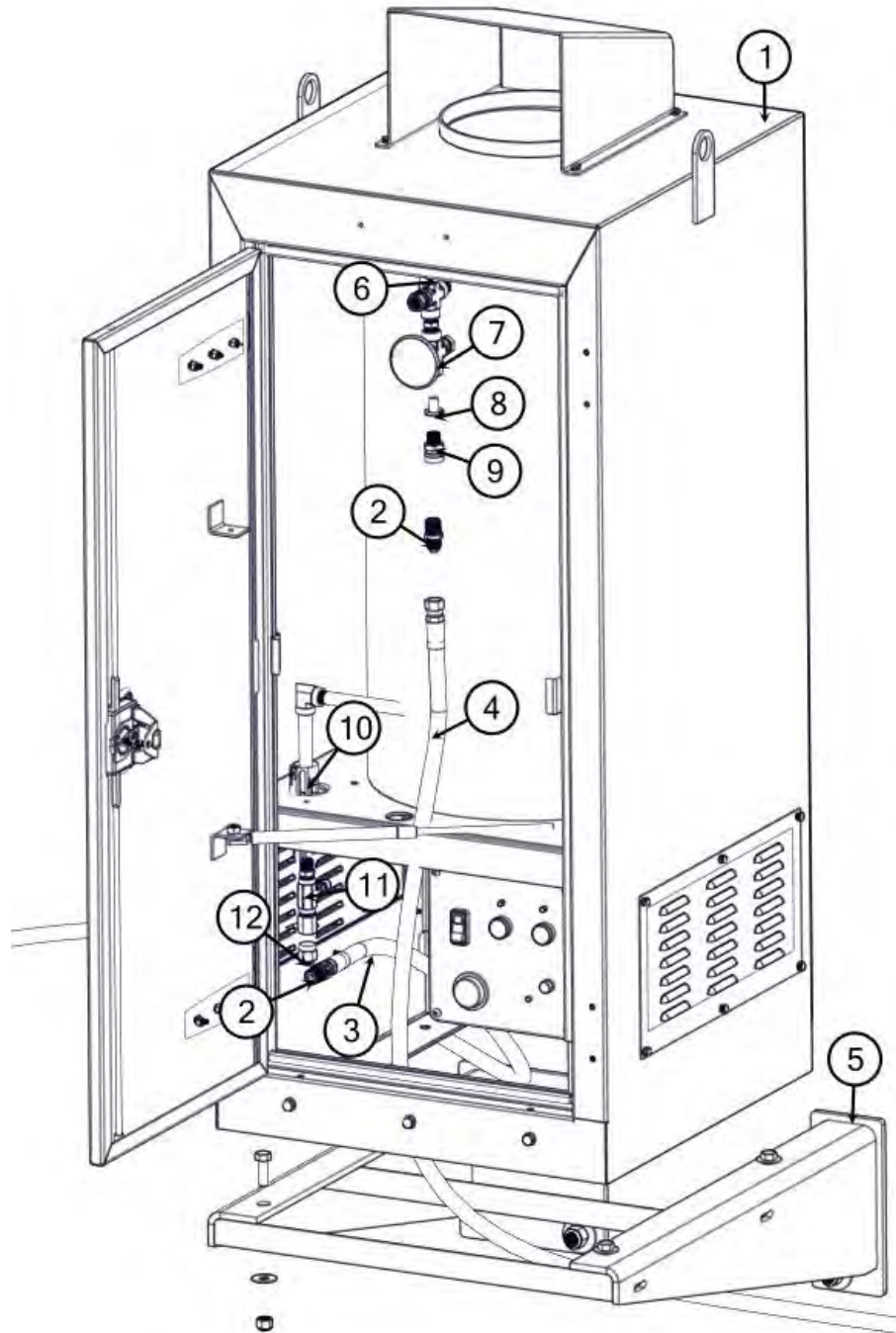
BOM ID	Qty	Name
1	1	8095779 WELDMENT, BOOM 6" EXTENSION
2	1	8092375 WELDMENT, BOOM EXTENSION
3	8	U160018 NUT, LOCK .500-13 NY ZP
4	16	U200100 WASHER FLAT .500 ZP
5	2	8092939 GASKET, BOOM
6	8	U000920 SCREW, HC .500-13 X 2.75 ZP G5
7	1	8095782 WELDMENT, BOOM 6" EXTENSION LG
8	2	8043198 CLAMP HOSE T-BOLT 700
9	2	U000920 SCREW, HC .500-13 X 2.75 ZP G5
10	4	U200100 WASHER FLAT .500 ZP
11	2	U160018 NUT, LOCK .500-13 NY ZP
12	1	8097041 WELDMENT, CRADLE BOLT-ON
13	1	8096849-120.00 HOSE, MATERIAL HANDLING, 6" X 120" LONG
14	1	8093018 WELDMENT, BOOM HOSE CONNECTION

VXT8 BOOM TOOLS ASSEMBLY



BOM ID	Qty	Name
1	1	8093709 ASSEMBLY, TOOL SUCTION 6"
2	1	8096152 TUBE, 6" ALUMINUM 48"LG
3	1	8096145 PLATE, BOOM TOOL STORAGE CLOSURE
4	1	U200100 WASHER, FLAT .500 ZP
5	1	8041594 HANDLE, WING REV FLOW CYC/FILTE
6	1	U160018 NUT, LOCK .500-13 NY ZP

VXT8 HOTBOX ASSEMBLY



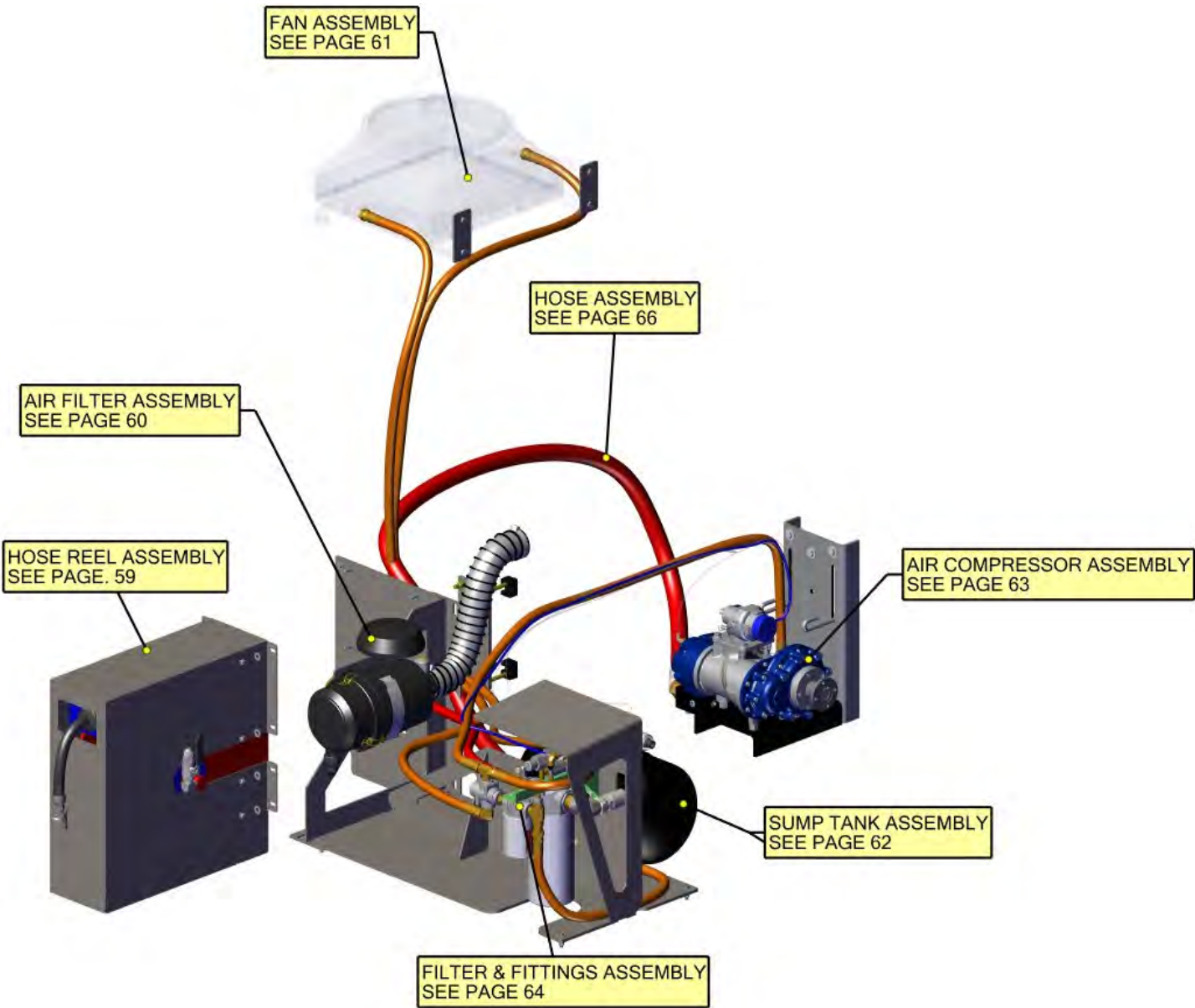
VXT8 HOTBOX ASSEMBLY

BOM ID	Qty	Name
1	1	8093136 HOTBOX, DYNABLAST 420K
2	2	T400040 UNION, 8MP - 8MJ
3	1	8096521 HOSE ASSY VAC 8-85 ST-ST
4	1	8096522 HOSE ASSY VAC 8-235 ST-ST
5	1	8094314 WELDMENT, HOT BOX MOUNT
6	1	8093136-02 HIGH LIMIT (110C)
7	1	8093136-10 TEMPERATURE SENSOR RTD
8	1	8093136-03 BUSHING, 1/2" X 3/8"
9	1	8093136-04 QUICK COUPLER, FEMALE 3/8"
10	1	8093136-05 FLOW SWITCH
11	1	8093136-07 RELIEF VALVE
12	1	8093136-06 QUICK COUPLER, MALE 3/8"

*NOT SHOWN

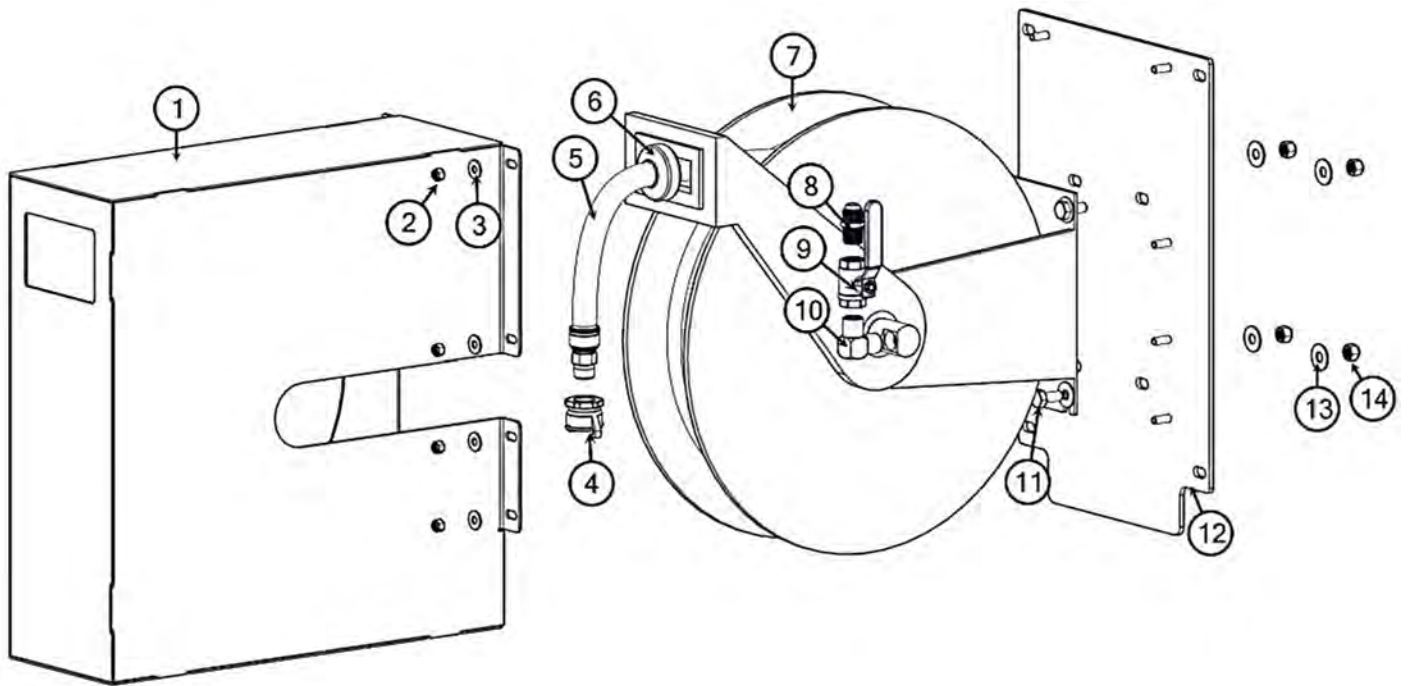
8093136-08 1 IGNITER
8093136-09 1 COIL

VXT8 AIR-WATER ASSEMBLY



HOSE REEL

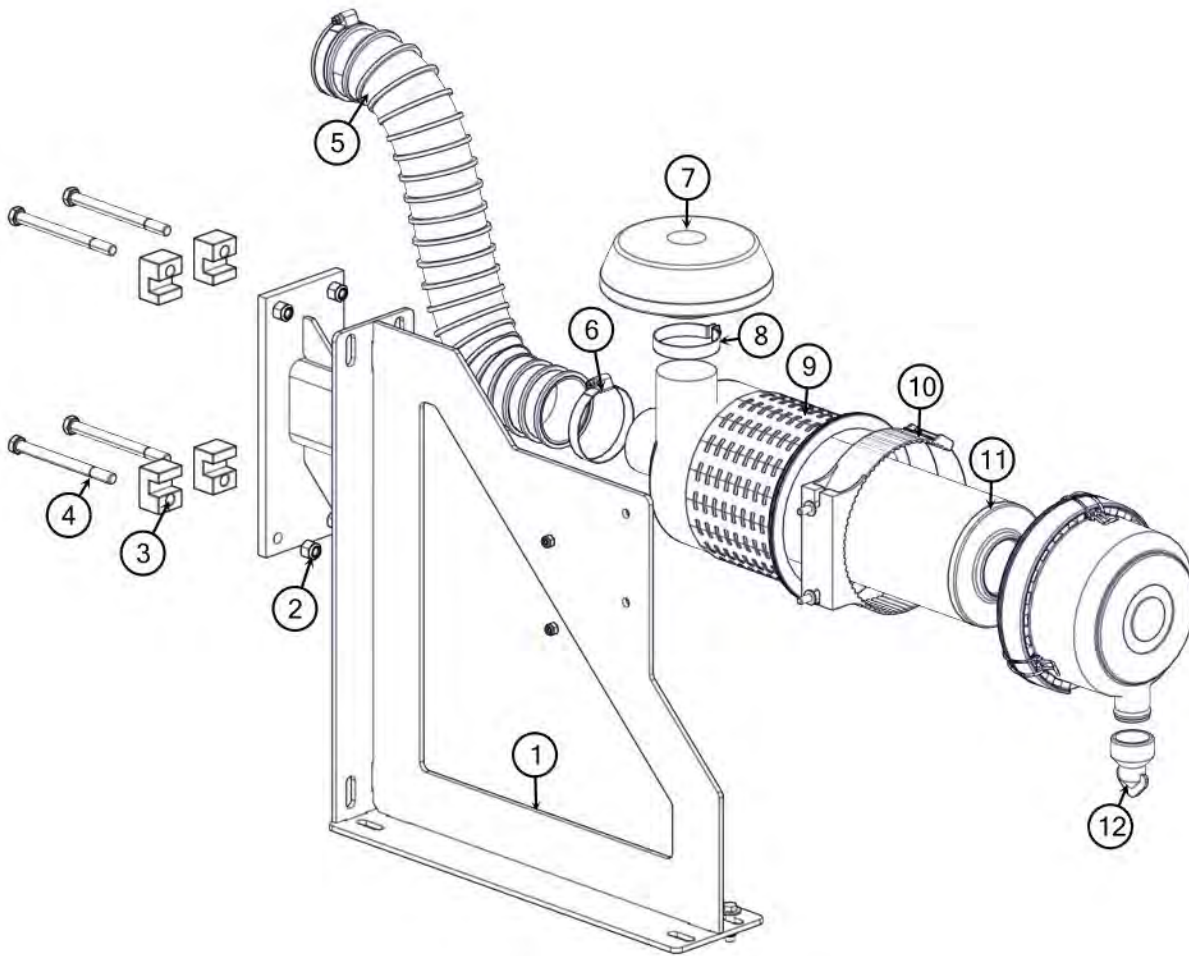
VXT8 AIR-WATER ASSEMBLY



BOM ID	Qty	Name
1	1	8096886 WELDMENT, ENCLOSURE AIR REEL
2	7	U110060 NUT, ST .375-16 ZP G2
3	7	U200060 WASHER FLAT .375 ZP
4	1	8043085 FITTING, 3/4" CHICAGO XFPT
5	1	8043083 HOSE ASSY AIR 3/4 X 50' MP-MP
6	1	8046439-1 STOP, BALL 3/4" AIR HOSE
7	1	8096031 ASSEMBLY, AIR REEL W/ 3/4" ID X 50' LG HOSE
8	1	T400100 UNION, 3/4"MP-3/4"MJ
9	1	T000185 VALVE, BALL 3/4" FNPT BRASS w/ FULL PORT
10	1	T401040 ELBOW, 90 3/4"MP-3/4"MP
11	4	U000821 SCREW, HC .500-13X1.25 ZP G8
12	1	8096884 WELDMENT, MOUNT AIR REEL
13	8	U200112 WASHER, FLAT .500 X 1.375 OD ZP HARD
14	4	U160018 NUT, LOCK .500-13 NY ZP

AIR FILTER

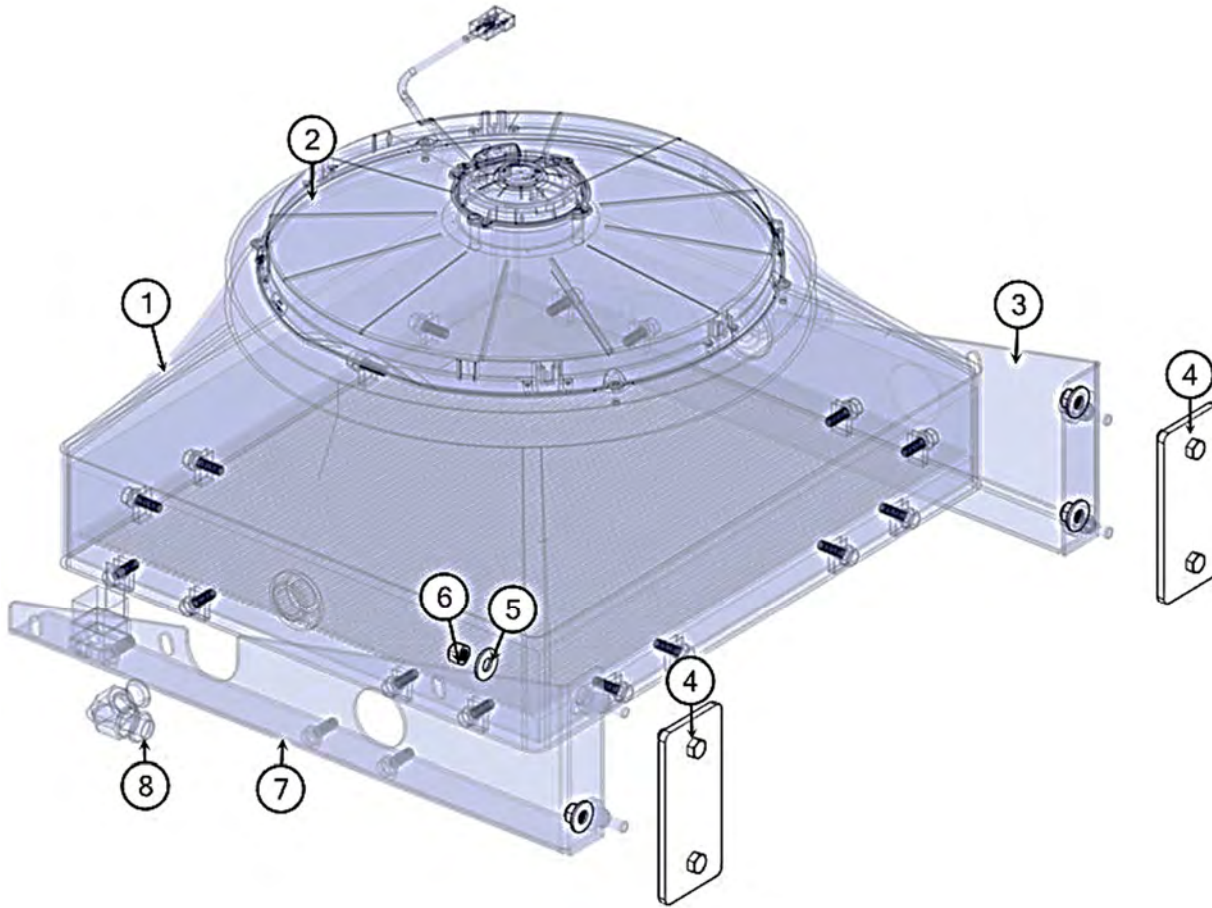
VXT8 AIR-WATER ASSEMBLY



BOM ID	Qty	Name
1	1	8096835 WELDMENT, AIR REEL MOUNT
2	4	U120125 NUT, LOCK NY .500-13 YZ G8
3	4	8096466 FLAT, RAIL TENSION MOUNT
4	4	U001031 SCREW, HC .500-13 X 6.00 ZP G8
5	1	8096807-41 HOSE, AIR FILTER 3" X
6	2	8096807-39 CLAMP, HOSE AIR FILTER
7	1	8096807-43 CAP, RAIN AIR FILTER
8	1	8096807-44 CLAMP, RAIN CAP
9	1	8096807-35 ELEMENT HOUSING, AIR FILTER
10	1	8096807-46 CLAMP, MOUNTING AIR FILTER
11	1	8096807-36 INNER ELEMENT, AIR FILTER
12	1	8096807-38 FILTER HOUSING CAP

FAN

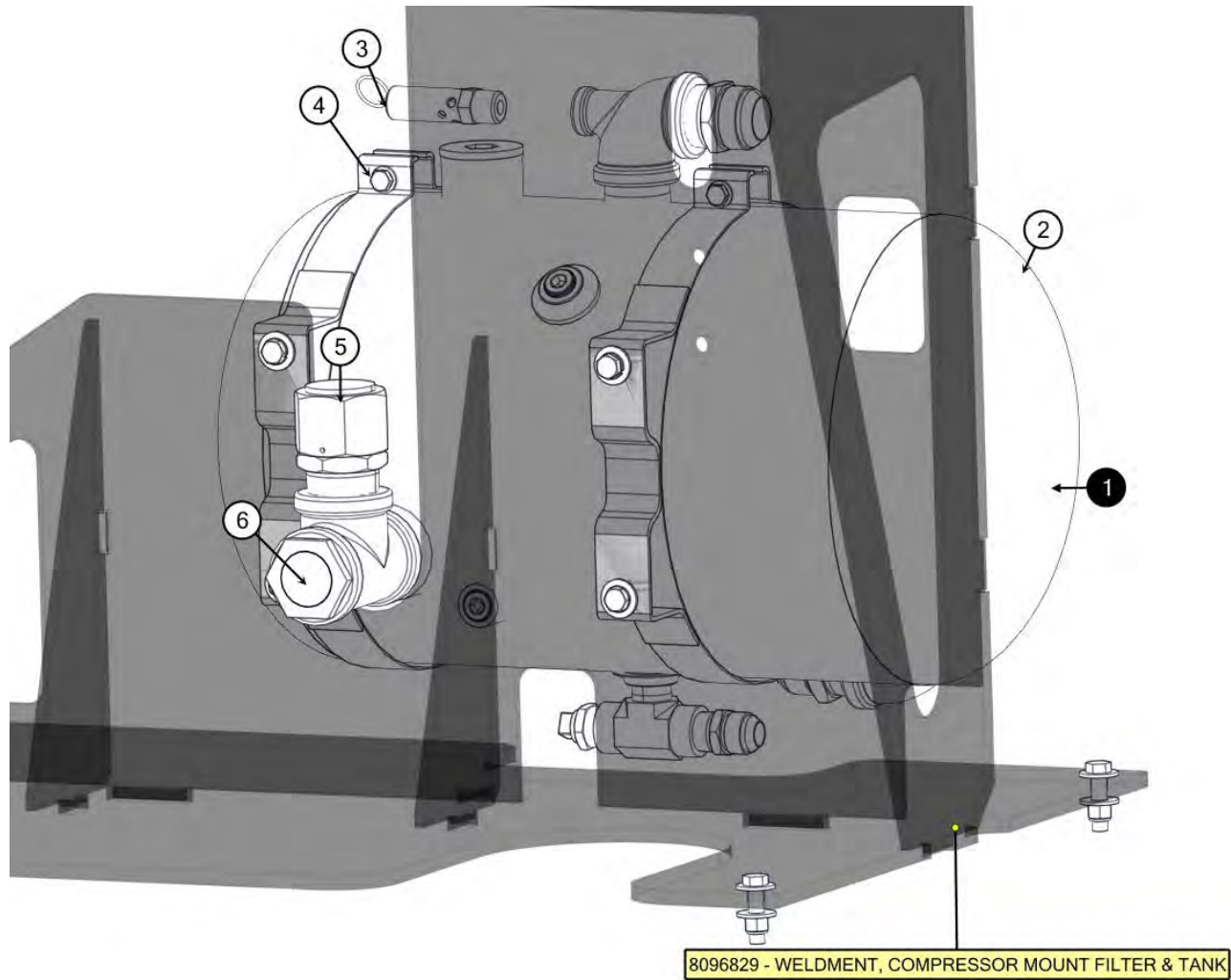
VXT8 AIR-WATER ASSEMBLY



BOM ID	Qty	Name
1	1	8096807-04 ASSEMBLY, COMPRESSOR FAN
2	1	8096807-78 FAN (ONLY)
3	1	8096807-82 BRACKET, MOUNT COMPRESSOR FAN (LEFT)
4	2	8096863 WELDMENT, MOUNT AIR COOLER
5	4	U200060 WASHER FLAT .375 ZP
6	4	U110060 NUT, ST .375-16 ZP G2
7	1	8096807-83 BRACKET, MOUNT COMPRESSOR FAN (RIGHT)
8	2	8096807-79 ELBOW, 90 12MP - 12MJ

SUMP TANK

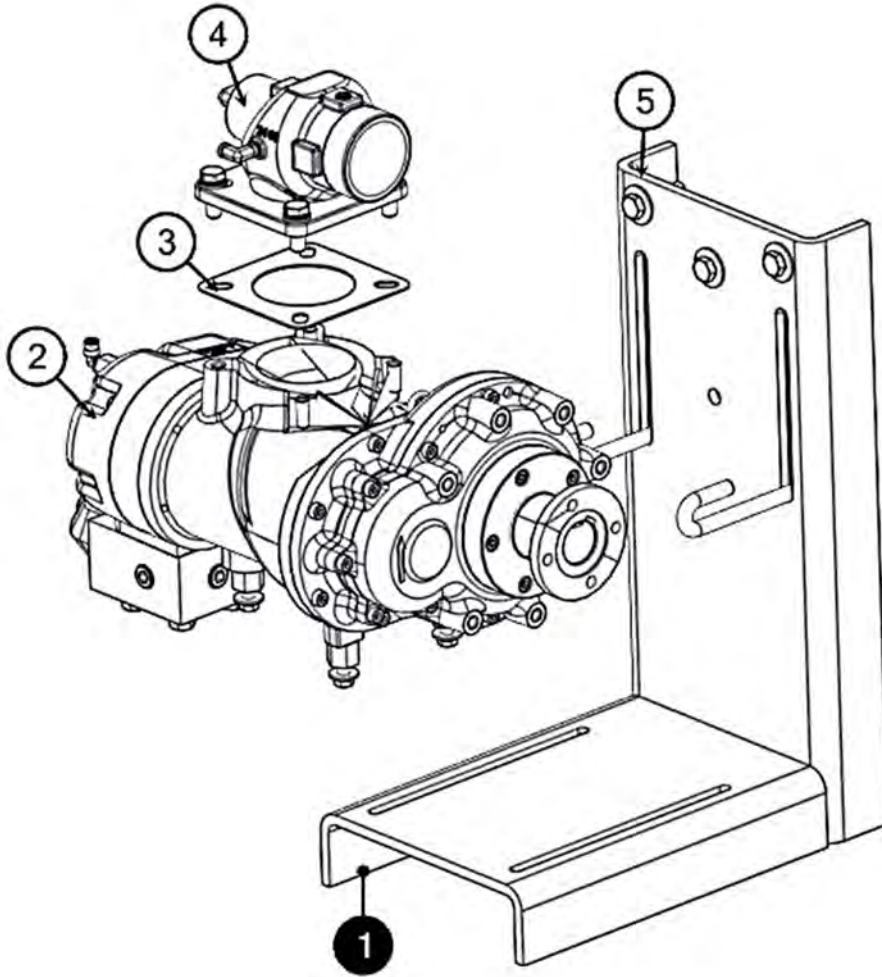
VXT8 AIR-WATER ASSEMBLY



BOM ID	Qty	Name
1	1	8096807-02 SUMP TANK ASSEMBLY
2	1	8096807-58 TANK, SUMP (ONLY)
3	1	8096807-69 TANK SAFETY RELIEF VALVE
4	2	8096807-60 CLAMP BAND
5	1	8096807-73 CAP, OIL FILL
6	1	8096807-74 SIGHTGLASS, OIL LEVEL

COMPRESSOR

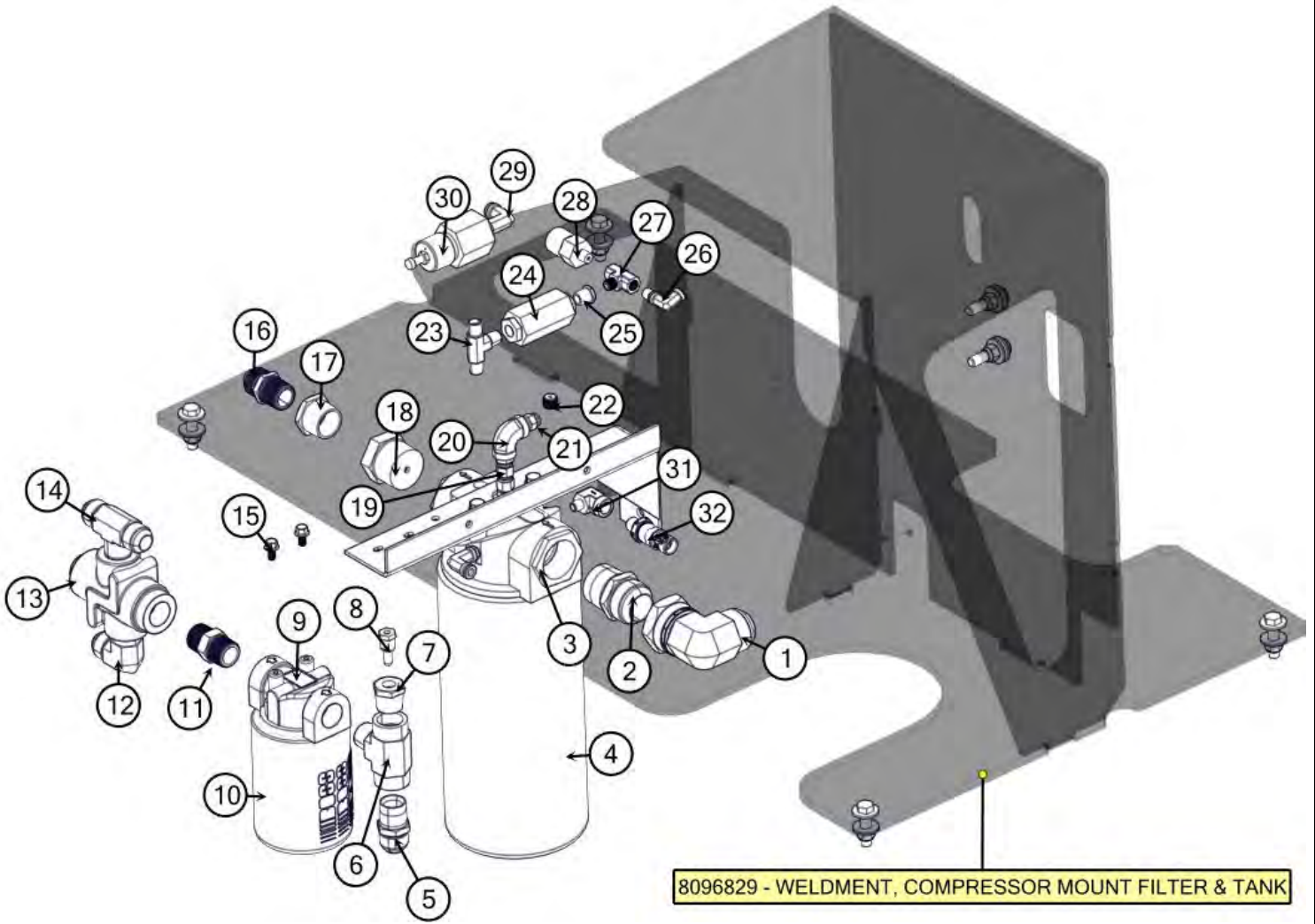
VXT8 AIR-WATER ASSEMBLY



BOM ID	Qty	Name
1	1	8096807-01 COMPRESSOR ASSEMBLY
2	1	8096807-55 COMPRESSOR (ONLY)
3	1	8096807-94 GASKET, COMPANION FLANGE
4	1	8096807-93 COMPANION FLANGE
5	1	8096807-56 BRACKET, COMPRESSOR

FILTER & FITTINGS

VXT8 AIR-WATER ASSEMBLY



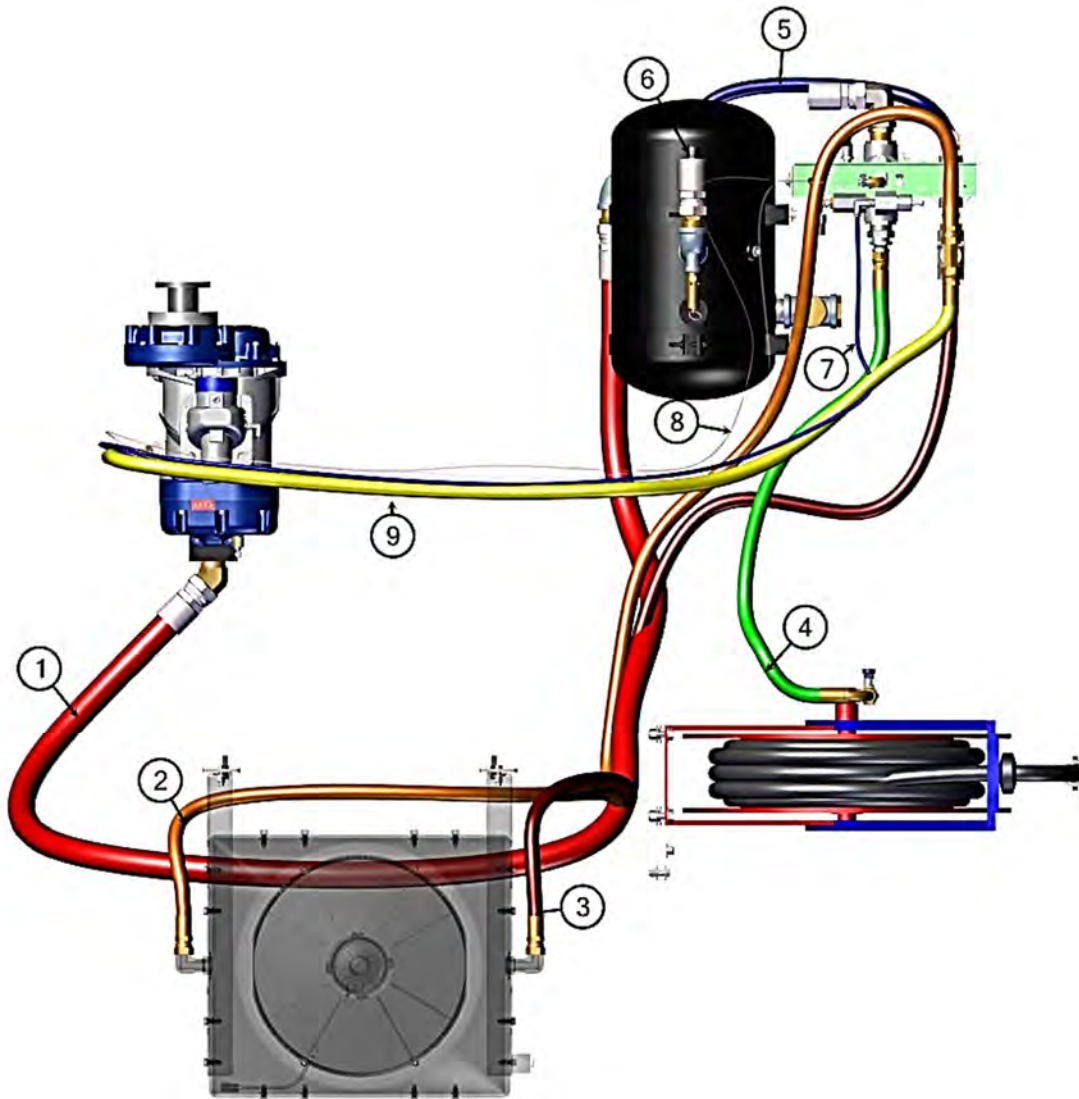
FILTER & FITTINGS

VXT8 AIR-WATER ASSEMBLY

BOM ID	Qty	Name
1	1	T401607 ELBOW,90 1-1/4"FP-1-1/4"MP
2	1	T400583 UNION, 1-1/4"MP-1-1/4"MJ
3	1	8096807-08 HEAD, COALESCER MH
4	1	8096807-07 COALESCER, MH 195/295
5	1	T400100 UNION, 3/4"MP - 3/4"MJ
6	1	T402180 TEE, 3/4"FP-3/4"MP-3/4FP
7	1	8096807-21 BUSHING, RED 3/4 X 1/4 GAL
8	1	8096807-23 SENDER, TEMP B-CAN
9	1	8096807-09 HEAD, OIL FILTER 3/4 FNPT 25 PSI BY PASS
10	1	8096807-06 ELEMENT, OIL FILTER 8060
11	1	T400800 UNION, 3/4"MP-3/4"MP
12	1	T401180 ELBOW, 90 3/4"MP-3/4"MJ
13	1	8096807-10 VALVE, THERMAL 3/4 3-PORT 140 DEG. F
14	1	T402167 TEE, 3/4"MBJ-3/4"MJ-3/4"MNPT
15	1	8096807-34 BOLT, WHIZLOCK GR5 1/4-20 X 1/2 (X2)
16	1	T400100 UNION, 3/4"MP-3/4"MJ
17	1	T403080 REDUCER, 1"MP-3/4"FP
18	1	8096807-33 ORIFICE, MIN PRESS 1 1/4 X 1
19	1	8096807-27 CONNECTOR, 1/4 CMPRSN X 1/4 MNPT
20	1	T401062 ELBOW, 90 1/4"FP
21	1	8096807-29 CONNECTOR, 1/4"MNPT X 1/4 TUBE 200PSI 250 DEG
22	1	8096807-87 PLUG, 1/4 W/ORIFICE 9/64
23	1	T402034 TEE, 1/4"MP-1/4"MP-1/4"MP
24	1	8096807-86 VALVE, BLOWDOWN 1/4 NC
25	1	8096807-91 BUSHING, REDUCER 1/4 X 1/8 GAL
26	1	8096807-90 ELBOW, 90 5/16 TUBE X 1/4 MNPT 250 PSI 200 DEG
27	1	8096807-89 TEE, 1/8FP X 1/8FP X 1/8MB
28	1	8096807-88 SWITCH, PRESS NC 5LB
29	1	8096807-14 ELBOW, 5/16 TUBE X 1/4 MNPT 250 PSI 200DEG
30	1	8096807-84 VALVE, REGULATOR 1/4"
31	1	T401092 ELBOW,90 1/8MNPT X 1/4FNPT
32	1	8096807-16 TRANSDUCER, 200PSI 1/4NPT .5-4.5V

HOSES

VXT8 AIR-WATER ASSEMBLY



BOM ID	Qty	Name
1	1	8096807-107 HOSE ASSY VAC 24 - 126" ST-ST
2	1	8096807-100 HOSE ASSY VAC 12-146 ST-ST
3	1	8096807-99 HOSE ASSY VAC 12 - 110 ST-ST
4	1	8096807-108 HOSE ASSY VAC 12 - 42" ST-90
5	1	8096807-102 HOSE ASSY VAC 12 - 34" ST-ST
6	1	8096807-106 HOSE ASSY VAC 20 - 16" ST-ST
7	1	8096807-103 TUBING, NYLON 5/16 - 90"
8	1	8096807-105 TUBING, NYLON 1/8 - 100"
9	1	8096807-101 HOSE ASSY VAC 12 - 82 ST-90

PAGE LEFT BLANK

WARRANTY RETURN GOODS POLICY

LIMITED WARRANTY

The Manufacturer warrants its products to be free from defects in material and workmanship for a period of twelve months from the date of shipment from the factory. The Manufacturer shall not be responsible for any damage resulting to or caused by its products by reason of installation, improper storage, unauthorized service, alteration of the products, neglect or abuse, or use of the product in a manner inconsistent with its design. The warranty does not extend to any component parts not manufactured by Manufacturer; however, Manufacturer's warranty herein shall not limit any warranties made by manufacturers of component parts which extend to Buyer.

Claims for defects in material and workmanship shall be made in writing to Manufacturer within ten days of discovery of defect. Manufacturer may either send a service representative or have the product returned to its factory at Buyer's expense for inspection. Upon notification of defect, Manufacturer will issue a return goods authorization number to Buyer. The return goods authorization number must accompany the product returned. If judged by the Manufacturer to be defective in material or workmanship, the product will be replaced or repaired at the option of the Manufacturer, free from all charges except authorized transportation. Buyer shall be responsible for all maintenance services consisting of lubrication and cleaning of equipment, replacing expandable parts, making minor adjustments, and performing operating checks, all in accordance with procedures outlined in Manufacturer's maintenance literature.

THE FOREGOING WARRANTY IS IN LIEU OF ALL OTHER WARRANTIES AND NO REPRESENTATIONS, GUARANTEES, OR WARRANTIES, EXPRESS OR IMPLIED, (INCLUDING BUT NOT LIMITED TO A WARRANTY OF MERCHANTABILITY OR FITNESS FOR A PARTICULAR PURPOSE), ARE MADE BY THE MANUFACTURER IN CONNECTION WITH THE MANUFACTURE OR SALE OF ITS PRODUCTS. NO EMPLOYEE, DISTRIBUTOR, OR REPRESENTATIVE IS AUTHORIZED TO CHANGE THIS WARRANTY ON BEHALF OF MANUFACTURER.

THE REMEDIES OF BUYER SET FORTH HEREIN ARE EXCLUSIVE AND ARE IN LIEU OF ALL OTHER REMEDIES. THE LIABILITY OF MANUFACTURER WHETHER IN CONTRACT, TORT, UNDER ANY WARRANTY, OR

OTHERWISE SHALL NOT EXTEND BEYOND ITS OBLIGATION TO REPAIR OR REPLACE, AT ITS OPTION ANY PRODUCT OR PART FOUND BY MANUFACTURER TO BE DEFECTIVE IN MATERIAL OR WORKMANSHIP. MANUFACTURER SHALL NOT BE LIABLE FOR COST OF INSTALLATION AND/OR REMOVAL OR BE RESPONSIBLE FOR DIRECT, INDIRECT, SPECIAL OR CONSEQUENTIAL DAMAGES OF ANY NATURE.

GENERAL RETURNS OF MERCHANDISE

1. All returns must be pre-authorized
 - A. Please call our parts department for an RGA number
 - B. Please include RGA number on the outside of box
 - C. Include any required paper work or special instructions
 - D. Items returned without an RGA number will not be accepted
2. All returns are subject to a 20% restock charge.
3. Special items are non-returnable
 - A. Non-stock parts
 - B. Custom parts
 - C. If you are unsure about a parts status when ordering, ask your McLaughlin representative if the item fits on of the above conditions.
4. Items must be returned within thirty days of original order date.
5. Items not returned within 30 days from the date of RGA is issued will not be accepted.
6. The item(s) must be in new condition. Used item(s) are not returnable.

Maintenance Record

DATE	SERVICE PERFORMED	BY

FOR SCHEMATICS SEE: www.mclaughlinunderground

**CALIFORNIA
Proposition 65 Warning**

Diesel engine exhaust and some of its constituents are known to the State of California to cause cancer, birth defects, and other reproductive harm.

**CALIFORNIA
Proposition 65 Warning**

Battery posts, terminals, and related accessories contain lead and lead compounds, chemicals known to the State of California to cause cancer and reproductive harm. Wash hands after handling.