



Vermeer

MV Solutions™

2006 Perimeter Road. Greenville, SC 29605

Toll Free: 800/435-9340 – Phone: 864/277-5870

Fax: 864/235-9661 – Website address: www.mclaughlinunderground

Email address: mmole@mightymole.com

PARTS MANUAL

PTO-VXT8

E850528

SERIAL NUMBER – 7HW8230T2LG000122 TO PRESENT

4/21/2020

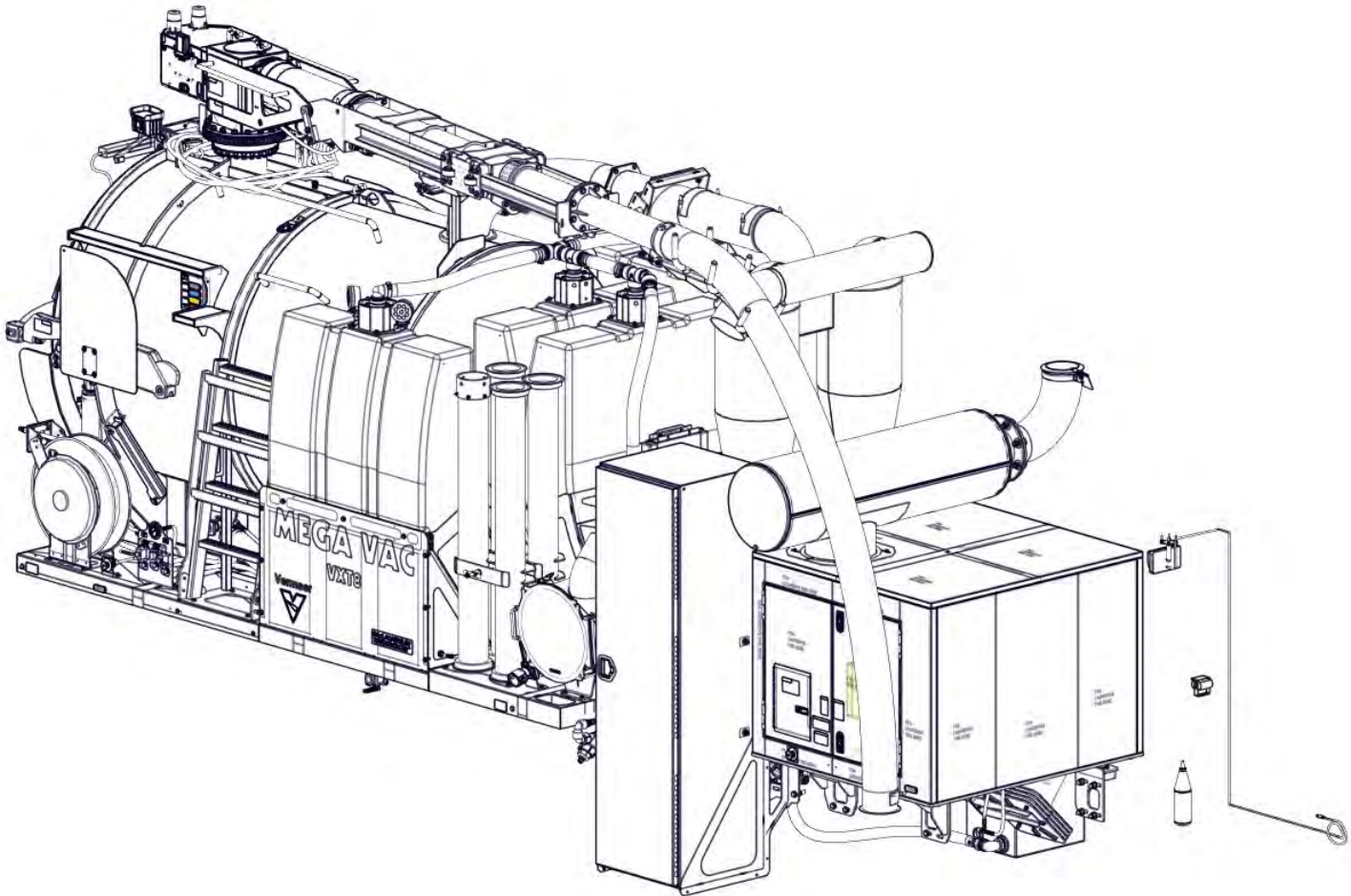
2020 by McLaughlin Group, Inc.

All rights reserved. No part of this manual may be reproduced in any form, or by any means without prior written permission of McLaughlin Group, Inc.

Table of Contents

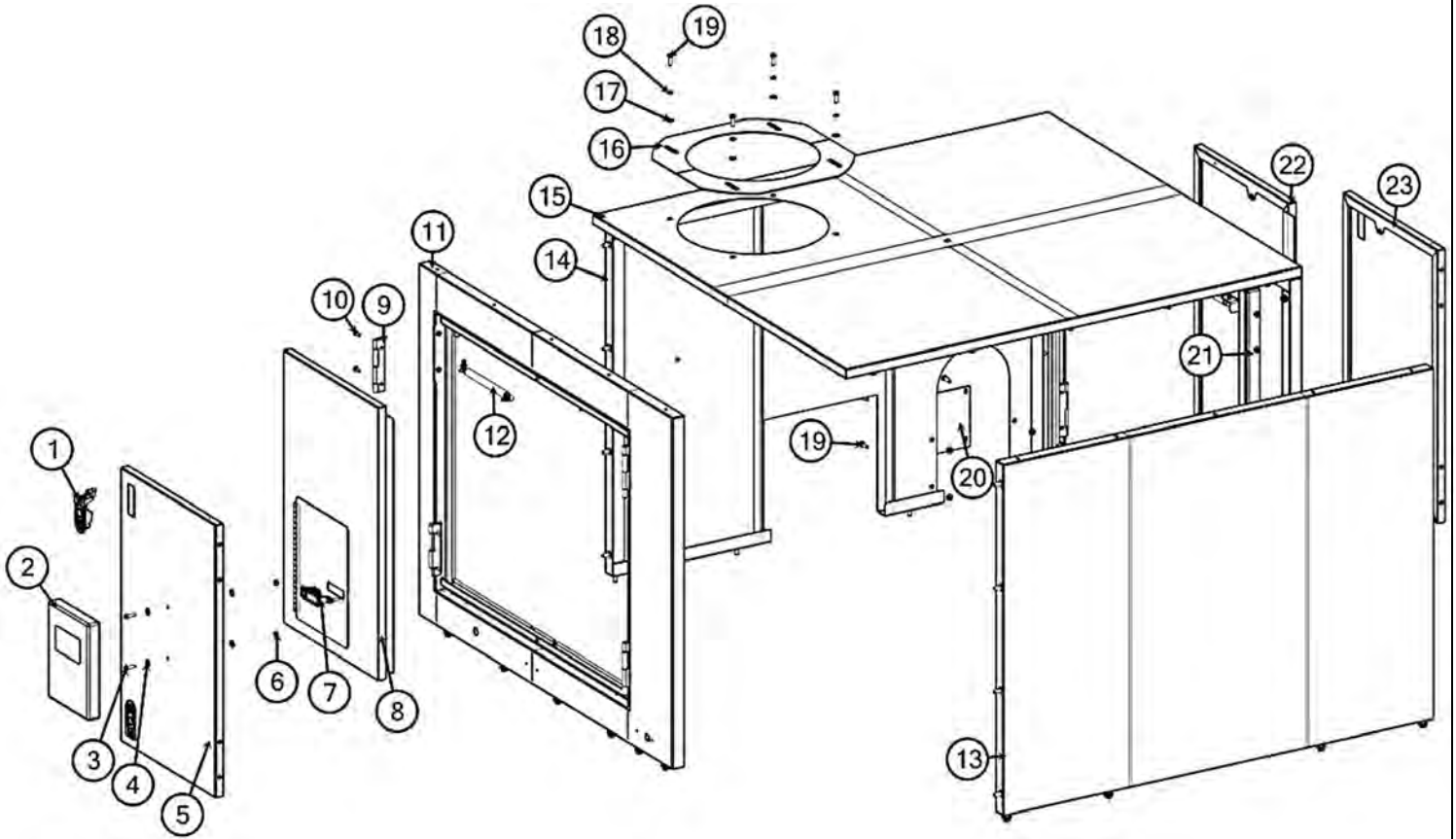
POWERDECK ENCLOSURE ASSEMBLY	7
POWERDECK SILENCER ASSEMBLY	9
POWERDECK BLOWER ASSEMBLY	11
POWERDECK WATER PUMP ASSEMBLY	13
POWERDECK ANTI-FREEZE MOUNT ASSEMBLY	15
POWERDECK HOSES ASSEMBLY	17
VXT8 PTO CAN_AM ASSEMBLY	19
VXT8 PTO CAN_AM BACKUP CAMERA ASSEMBLY	21
VXT8 ELECTRICAL ASSEMBLY	22
VXT8 ELECTRICAL (ON-ROAD) ASSEMBLY	26
VXT8 HYDRAULIC MANIFOLD ASSEMBLY.....	27
VXT8 HYDRAULIC ASSEMBLY	28
VXT8 HYDRAULIC TANK ASSEMBLY.....	30
VXT8 HYDRAULIC HOSE ASSEMBLY (TANK & DOOR)	32
VXT8 DOOR LINKAGE ASSEMBLY.....	34
VXT8 TANK DOOR ASSEMBLY.....	36
VXT8 1600 66" TANK ASSEMBLY.....	38
VXT8 TANK OUTLET ASSEMBLY.....	40
VXT8 CYCLONE FENDER ASSEMBLY.....	42
VXT8 CYCLONE ASSEMBLY	44
VXT8 AIR FILTER ASSEMBLY	46
VXT8 FILTER FENDER ASSEMBLY	48
VXT8 MIDDLE TANK ASSEMBLY (WATER)	50
VXT8 SADDLE TANK ASSEMBLY (WATER)	52
VXT8 WATER REEL & VALVE ASSEMBLY	54
VXT8 WATER REEL & VALVE HOSE ASSEMBLY	55
VXT8 SKID ASSEMBLY	56
VXT8 FENDER ASSEMBLY	58
VXT8 FOLDING LADDER ASSEMBLY	59
VXT8 VERTICAL TOOLBOX ASSEMBLY (RS)	60
VXT8 VERTICAL TOOLBOX ASSEMBLY (LS)	61
VXT8 HITCH & MOUNT ASSEMBLY	62
VXT8 TOOLS ASSEMBLY	64
VXT8 LANCE ASSEMBLY	66
VXT8 WASH WAND ASSEMBLY	67
VXT8 SUCTION TOOL ASSEMBLY	68
VXT8 AIR SYSTEM ASSEMBLY	69
VXT8 BOOM BASE ASSEMBLY	70
VXT8 BOOM SLEW DRIVE ASSEMBLY	72
VXT8 BOOM HYDRAULIC MANIFOLD ASSEMBLY	73
VXT8 BOOM HYDRAULIC HOSE ASSEMBLY	74
VXT8 BOOM GREASE VALVE (UPPER) ASSEMBLY	75
VXT8 BOOM GREASE VALVE (UPPER) HOSE ASSEMBLY	76
VXT8 BOOM GREASE VALVE (LOWER) ASSEMBLY	77
VXT8 BOOM GREASE VALVE (LOWER) HOSE ASSEMBLY	78
VXT8 BOOM ELECTRICAL ASSEMBLY	79
VXT8 BOOM MID SECTION ASSEMBLY	80
VXT8 BOOM EXTENSION ASSEMBLY	82
VXT8 HOTBOX ASSEMBLY	83
VXT8 HOTBOX HOSE & FITTINGS ASSEMBLY	85
VXT8 AIR WEIGHT SYSTEM	86
VXT8 AIR COMPRESSOR HOSE (BOSS) ASSEMBLY	87
VXT8 AIR COMPRESSOR BRACKETS & TOOLBOX ASSEMBLY	89
VXT8 AIR COMPRESSOR HOSE REEL ASSEMBLY	91
VXT8 AIR COMPRESSOR SUMP TANK & FILTER ASSEMBLY	92
VXT8 AIR COMPRESSOR SUMP TANK ASSEMBLY	93
VXT8 AIR COMPRESSOR FILTER ASSEMBLY	95
VXT8 AIR COMPRESSOR AIR INTAKE/COMPRESSOR	97
VXT8 ARCTIC PACKAGE 1 ASSEMBLY	98
VXT8 ARCTIC PACKAGE 2 ASSEMBLY	103
WARRANTY	109

PAGE LEFT BLANK



PAGE LEFT BLANK

VXT8 POWERDECK ENCLOSURE ASSEMBLY

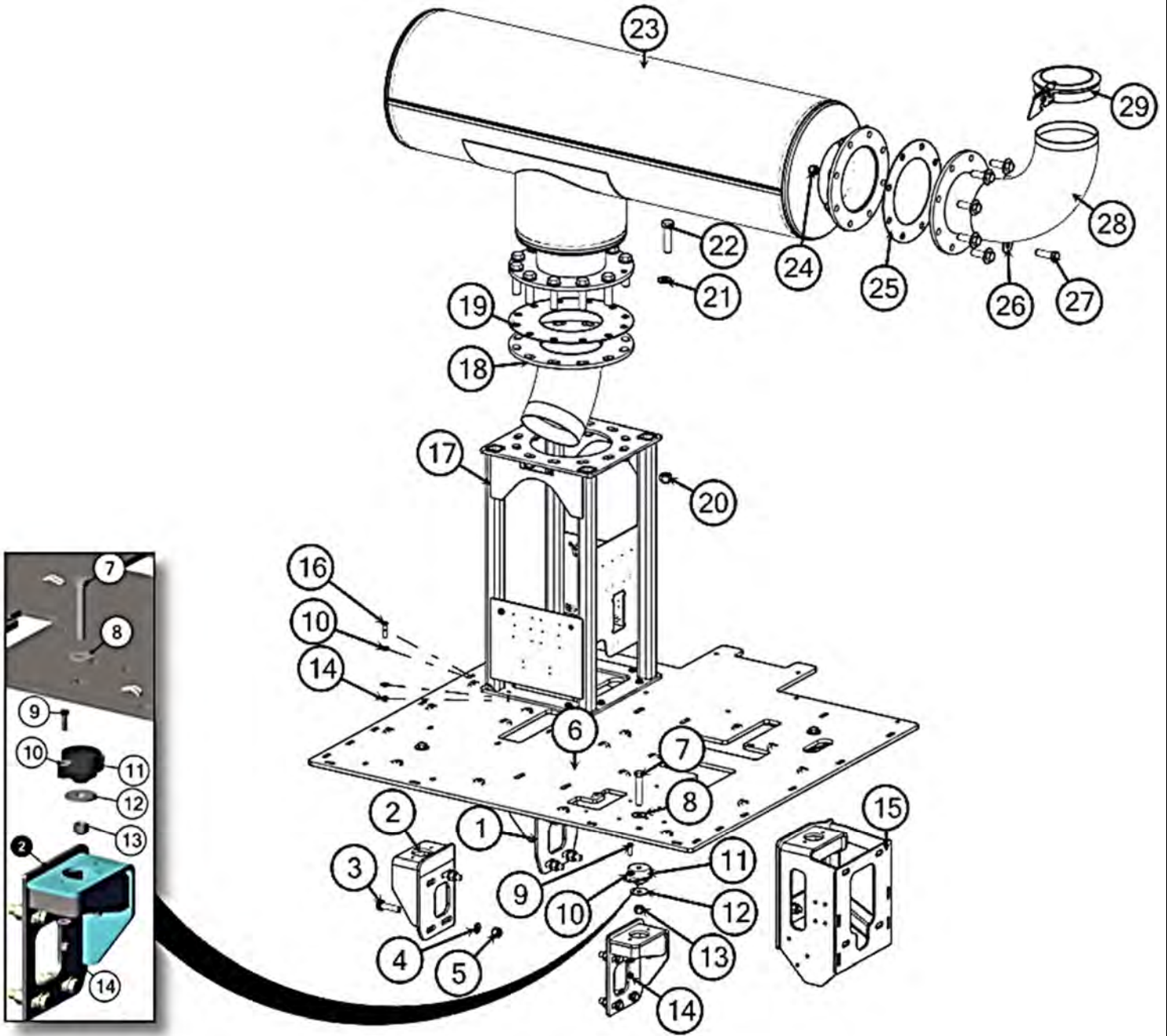


VXT8 POWERDECK ENCLOSURE ASSEMBLY

BOM ID	Qty	Name
1	4	8040586 LATCH,SEALED LEVER. SOUTHCO
2	1	E250210 BOX, SAFETY MANUAL
3	2	U000060 SCREW, HC .250-20 X 1.00 ZP G5
4	4	U200020 WASHER FLAT .250 ZP
5	1	8097446 WELDMENT, PTO ENCLOSURE DOOR CURBSIDE
6	2	U100020 NUT, HEX .250-20 ZP G2
7	1	8048788 LATCH COMPRESSION C2
8	1	8097994 WELDMENT, ENCLOSURE DOOR VXT8 CURB
9	8	8093873 HINGE, DOOR ENCLOSURE
10	16	8047735 SCREW, FH 1_4-20 SS SOCKET CAP
11	1	8097159 WELDMENT, ENCLOSURE SIDE CURB PTO
12	4	8093730 SPRING, GAS W/BALL-JOINT
13	1	8097166 WELDMENT, ENCLOSURE FRONT PTO
14	1	8097169 WELDMENT, ENCLOSURE REAR PTO
15	1	8097156 WELDMENT, ENCLOSURE TOP PTO
16	2	8096428 PANEL, ENCLOSURE SILENCER FLANGE
17	8	U200055 WASHER FLAT .312 SS
18	8	U210043 WASHER, LOCK .312 SS G18-8
19	8	U000216 SCREW, HC .312-18 X 1.00 SS G18-8
20	1	8096429 PANEL, ENCLOSURE COVER
21	1	8097164 WELDMENT, ENCLOSURE SIDE STREET PTO
22	1	8096419 WELDMENT, ENCLOSURE DOOR SIDE STREET PTO
23	1	8096417 WELDMENT, ENCLOSURE DOOR SIDE PTO

8097172 - ENCLOSURE FOAM ASSEMBLY

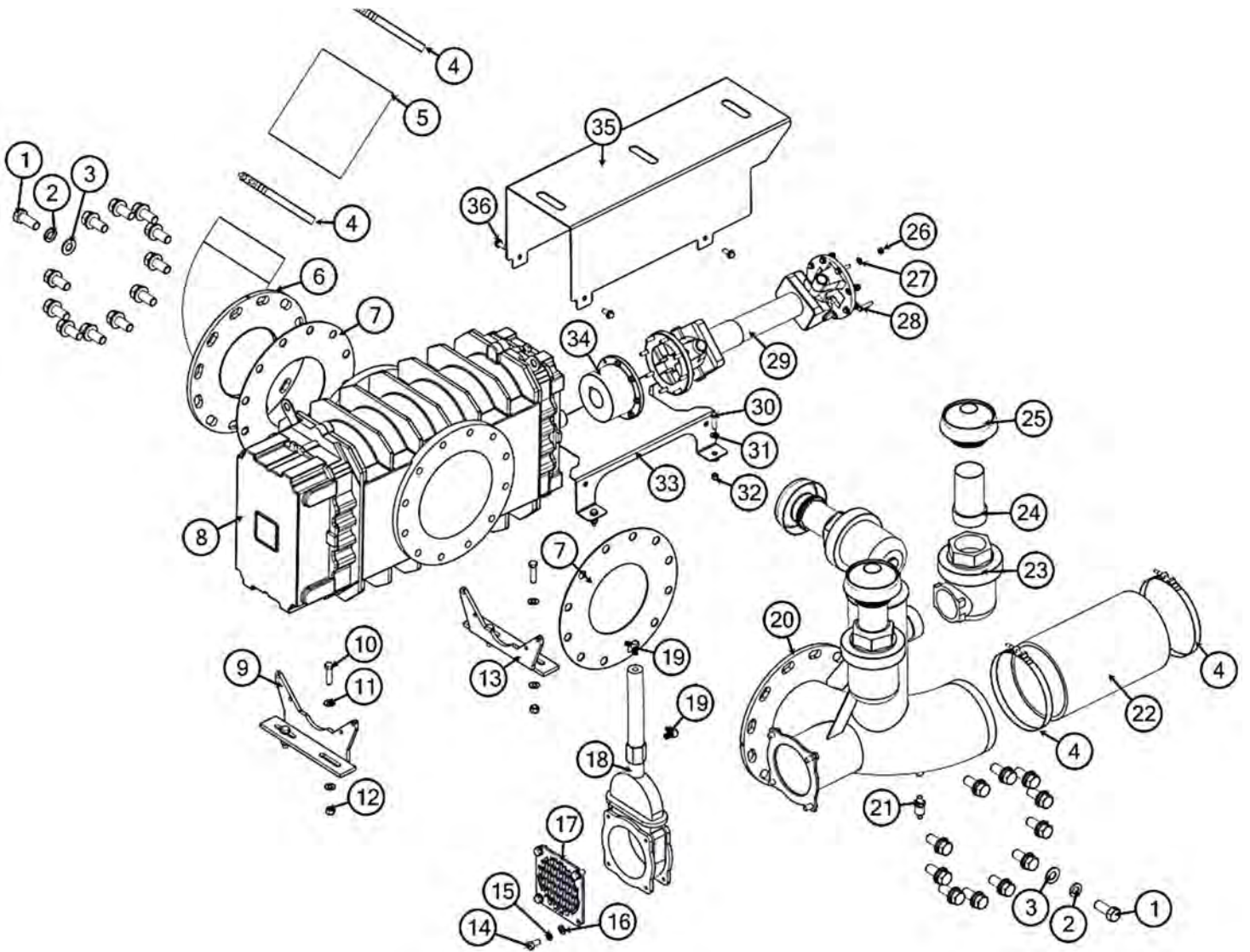
VXT8 POWERDECK SILENCER ASSEMBLY



VXT8 POWERDECK SILENCER ASSEMBLY

BOM ID	Qty	Name
1	1	8097682 WELDMENT, POWERPACK MOUNT RIGHT REAR
2	2	8097678 WELDMENT, POWERPACK MOUNT FRONT
3	14	U001241 SCREW, HC .625-11 X 2.75 ZP G8
4	28	U200150 WASHER FLAT .625 ZP SAE HARD
5	14	U120143 NUT, LOCK .625-11 NY ZP G8 HEAVY
6	1	8098055 WELDMENT, POWERPACK FRAME PTO
7	4	U001320 SCREW, HC .625-11 X 4.00 ZP G5
8	4	U200140 WASHER FLAT .625 ZP
9	8	U000440 SCREW, HC .375-16 X 1.25 ZP G5
10	32	U200060 WASHER FLAT .375 ZP
11	4	8094547 ISOLATOR 1200 LBS
12	4	8030851 WASHER, SNUBBING
13	4	U120140 NUT, ST .375-16 ZP G2
14	16	U110060 NUT, ST .375-16 ZP G2
15	1	8097686 WELDMENT, HYD RESERVOIR TANK MOUNT ISOLATOR
16	8	U000480 SCREW, HC .375-16 X 1.75 ZP G5
17	1	8097864 WELDMENT, SILENCER STAND VXT
18	1	8095471 WELDMENT, 8" ELBOW 45 DEG
19	1	8092811 GASKET, BLOWER FLANGE
20	12	U120050 NUT, LOCK .875-9 ZP G5
21	24	U200168 WASHER FLAT .750 ZP SAE HARD
22	12	U001563 SCREW, HC .875-9 X 3.50" ZP G5
23	1	8092091 SILENCER, AIR
24	8	U120040 NUT, LOCK NY .750-10 ZP G2
25	1	8092814 GASKET, SILENCER FLANGE
26	16	U200160 WASHER FLAT .750 ZP
27	8	U001420 SCREW, HC .750-10 X 2.50 ZP G5
28	1	8092519 WELDMENT, SILENCER OUTPUT
29	1	8094195 RAIN CAP, 8" SILENT

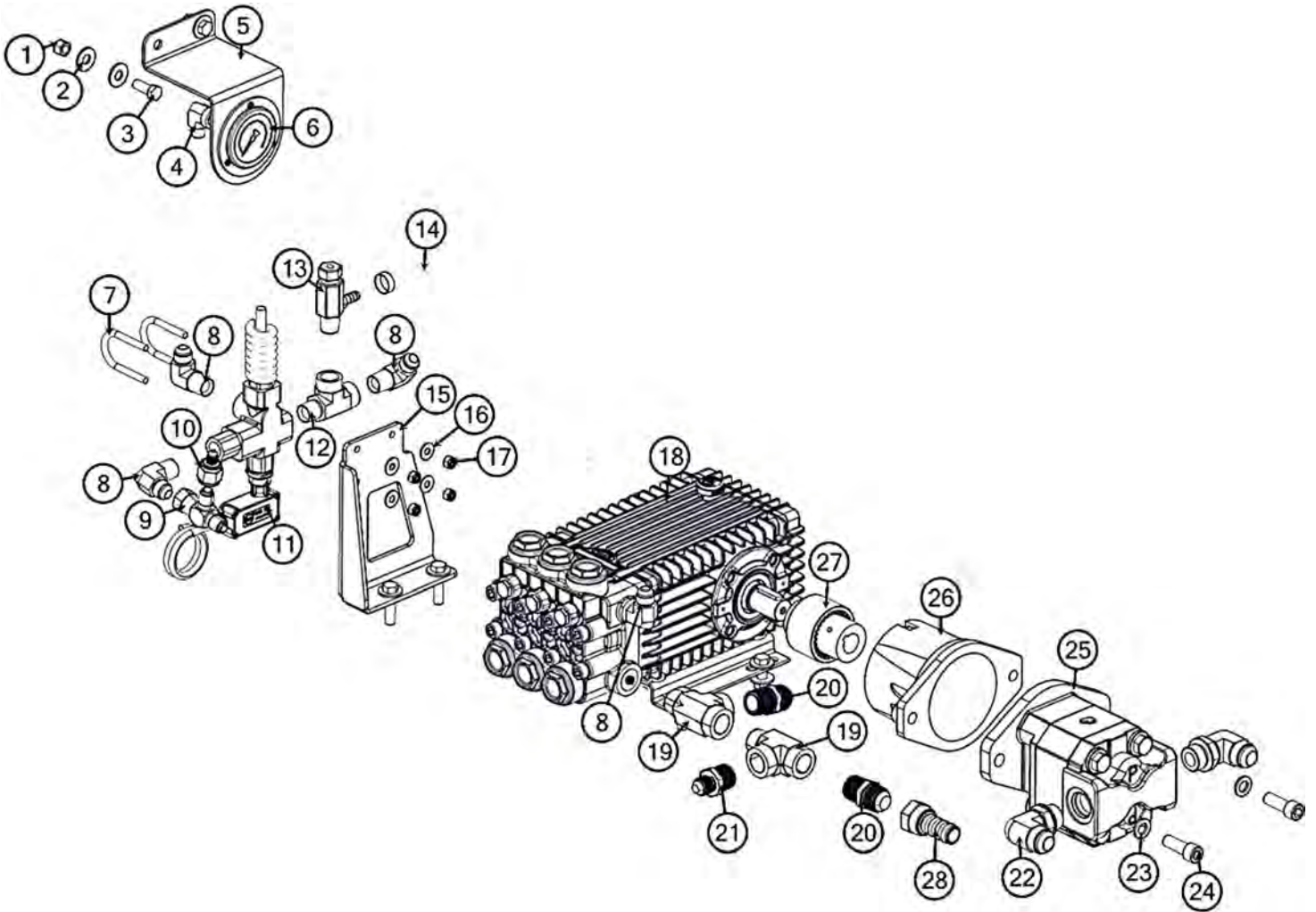
VXT8 POWERDECK BLOWER ASSEMBLY



VXT8 POWERDECK BLOWER ASSEMBLY

BOM ID	Qty	Name
1	24	U001551 SCREW, HC .875-9 X 2.25 ZP G5
2	24	U210180 WASHER LOCK .875 ZP
3	24	U200168 WASHER FLAT .875 ZP SAE HARD
4	4	8092896 CLAMP T-BOLT 8" HOSE
5	1	8098067 HOSE, 8" SILENCER TO BLOWER
6	1	8094935 WELDMENT, 8" 90 ELBOW W/FLANGE
7	2	8092811 GASKET, BLOWER FLANGE
8	1	8094129 BLOWER, RAM624, 3200CFM (18"HGG)
9	1	8094686 WELDMENT, BLOWER FOOT RAM624 TALL
10	4	U000890 SCREW, HC .500-13 X 2.00 ZP G8
11	8	U200110 WASHER FLAT .500 ZP SAE HARD
12	4	U120125 NUT, LOCK NY .500-13 YZ G8
13	1	8094687 WELDMENT, BLOWER FOOT RAM624 SHORT
14	8	U001653 SCREW, HC 12MM X 1.75 X 25MM
15	8	U210223 WASHER LOCK 12MM
16	8	U200305 WASHER FLAT 12MM
17	1	8049371 BOTTOM PLATE WELDMENT DV RF
18	1	8043577 VALVE, 6" GATE BRASS HYD DBLACT
19	2	T401100 ELBOW 90 4MP_4MJ
20	1	8094823 WELDMENT, BLOWER INTAKE HEADER
21	1	X000085 PRESSURE TRANSDUCER
22	1	8098053 HOSE, FILTER OUTLET TO BLOWER
23	3	8092079 VALVE, AIR RELIEF 3", 18"HG
24	3	8045238 UNION EXHAUST 3" OD-MNPT
25	3	8091506-01 CAP, AIR IN-TAKE
26	16	U120106 NUT, LOCK .3125-18 G8
27	32	U200050 WASHER FLAT .312 HD
28	16	U000365 SCREW, HC .312-24 X 1.50 ZP G8
29	1	8094438 U-JOINT, SPICER
30	4	U000460 SCREW, HC .375-16 X 1.50 ZP G5
31	12	U200085 3/8 SAE THRU HARD FLAT WASHER
32	4	U110060 NUT, ST .375-16 ZP G2
33	1	8097730 WELDMENT, DRIVE SHAFT SHIELD LOWER
34	1	8094437 COUPLING, BLOWER VXT
35	1	8097732 PLATE, DRIVE SHAFT SHIELD UPPER
36	4	U000420 SCREW, HC .375-16 X 1.00 ZP G5

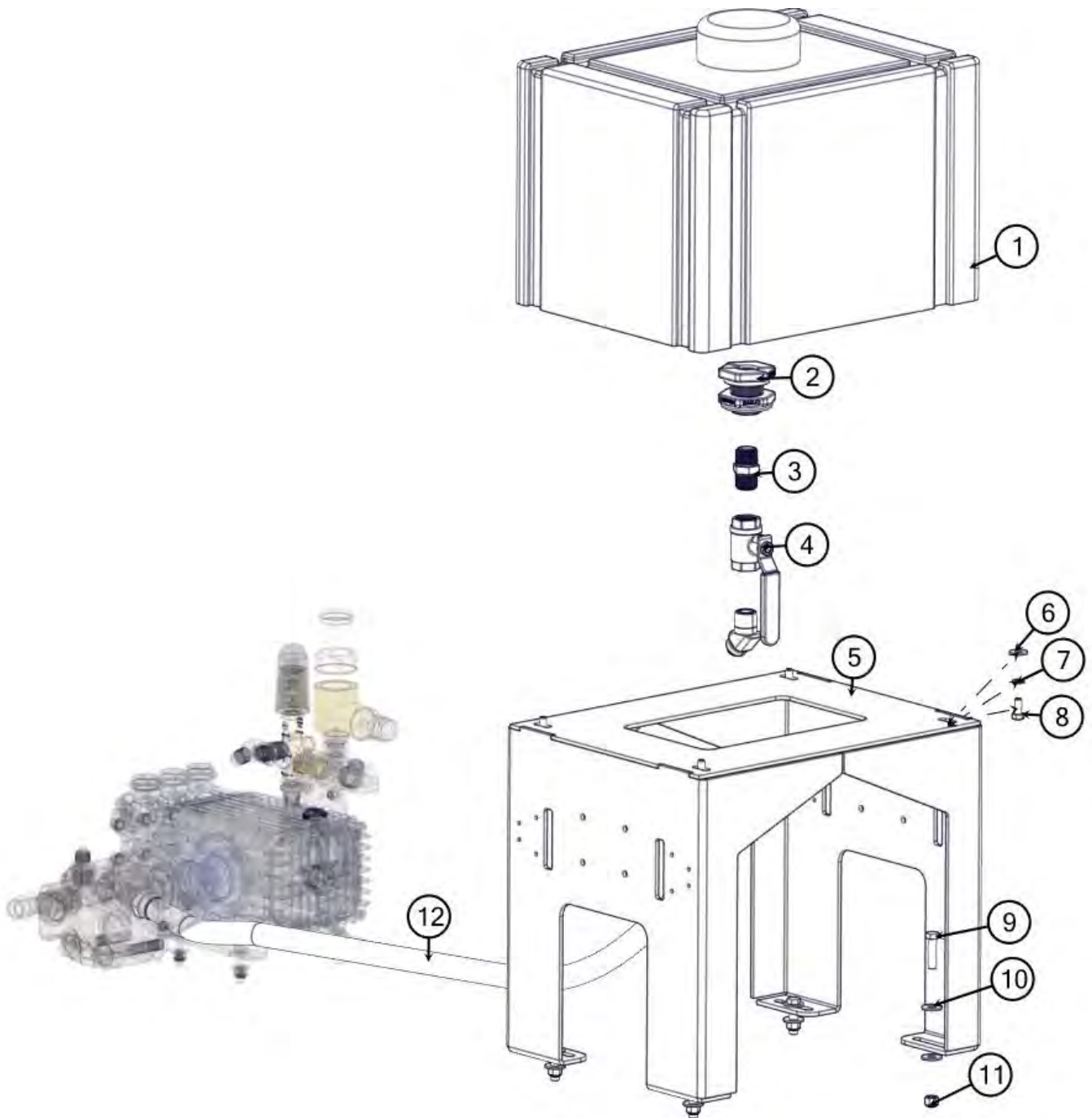
VXT8 POWERDECK WATER PUMP ASSEMBLY



VXT8 POWERDECK WATER PUMP ASSEMBLY

BOM ID	Qty	Name
1	2	U120110 NUT, LOCK .375-16 NY ZP
2	14	U200060 WASHER FLAT .375 ZP
3	2	U000420 SCREW, HC .375-16 X 1.00 ZP G5
4	1	T401060 ELBOW 90 4MP-4FP
5	1	8098360 MOUNT, GAUGE VXT8
6	1	8030372 GAUGE, 5000 PSI 2.5"LF CBM
7	2	U010017 U-BOLT, .250-20
8	4	T401140 ELBOW,90 1/2"MP-1/2"MJ
9	1	T402155 TEE,1/2"FJ-1/2"MJ-1/2"MJ
10	1	T400700 REDUCER, 1/2"FJ-1/4"MJ
11	1	8098432 VALVE, UNLOADER W/MICRO SWITCH 21 GPM
12	1	T402156 ADAPTER TEE -8MP -8FP -8FP STEEL
13	1	8098438 VALVE, RELIEF WATER 12GPM 3500 PSI PRESET
14	1	8098440 HOSE ASSY 3/8" - 18" VINYL
15	1	8097709 BRACKET, UNLOADER VALVE WATER
16	4	U200020 WASHER FLAT .250 ZP
17	4	U120000 NUT, LOCK NY .250-20 ZP G2
18	1	8093957 PUMP, WATER 12GPM @2500PSI
19	2	T402080 TEE 12MP 12FP 12FP
20	2	T400100 UNION, 3/4"MP-3/4"MJ
21	1	T400080 REDUCER, 3/4"MP-1/2"MJ
22	2	T401340 ELBOW,90 3/4"MB(ADJ)-3/4"MJ
23	2	U200302 WASHER FLAT 12MM
24	2	U001643 SCREW, HSH 12MM -1.75 X 35MM C12.9
25	1	8098464 MOTOR, 2.17 CI GEAR HYD
26	1	8093958 ADAPTOR, HYDRAULIC MOTOR SAE B
27	1	8093959 COUPLING, WATER PUMP to HYD. PUMP
28	1	8030525 FITTING, PUSHLOK #12

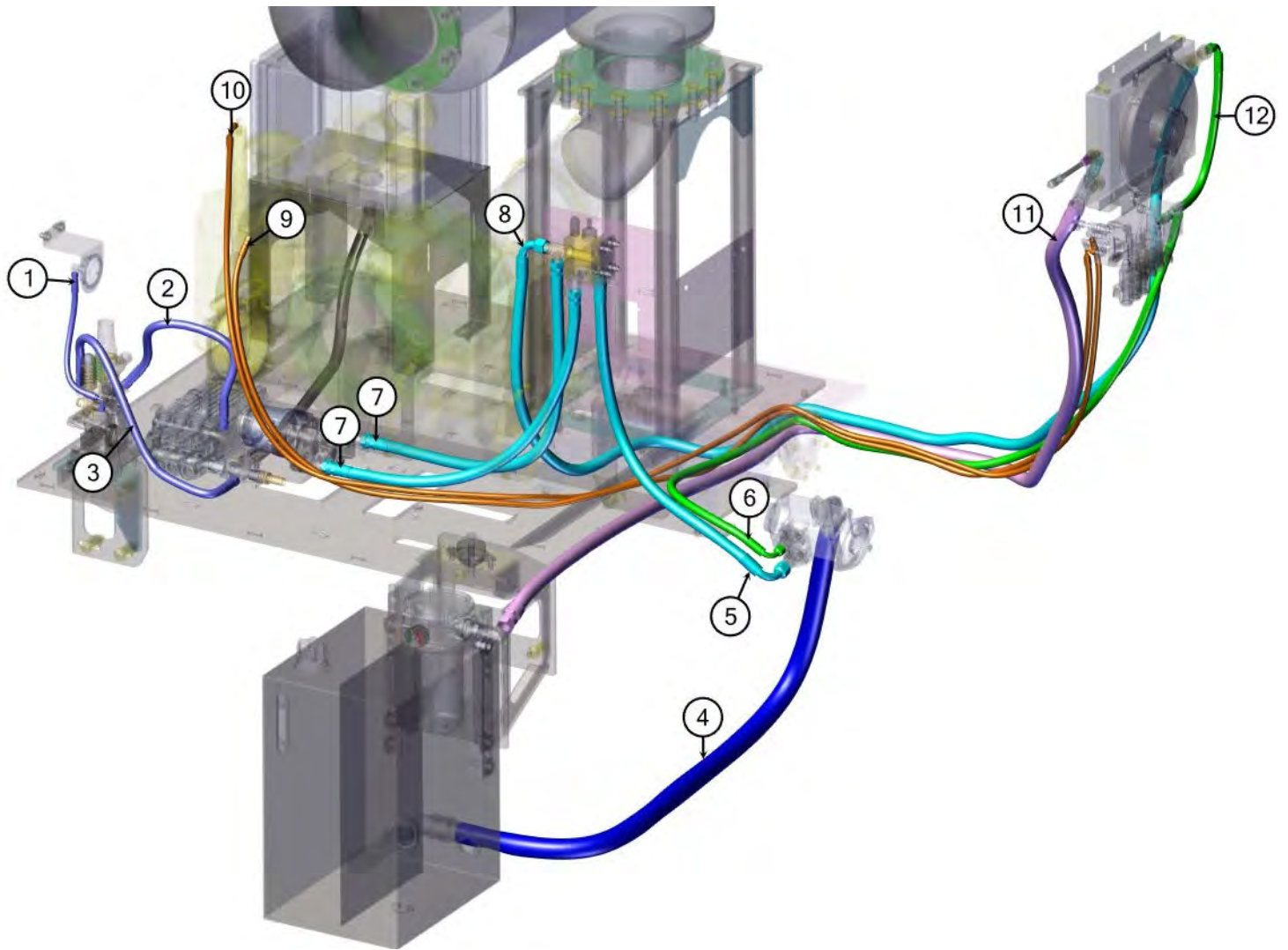
VXT8 POWERDECK ANTI-FREEZE MOUNT ASSEMBLY



VXT8 POWERDECK ANTI-FREEZE MOUNT ASSEMBLY

BOM ID	Qty	Name
1	1	8048810 TANK, ANTIFREEZE 12GAL W/CAP
2	1	8041148 BULKHEAD 3/4" NPT PLASTIC
3	1	T400800 UNION 12MP-12MP
4	1	T000185 VALVE, BALL 3/4" FNPT BRASS
5	1	8096533 WELDMENT, ANTIFREEZE BRACKET
6	4	U200040 WASHER FLAT .312 ZP
7	4	U210040 WASHER LOCK .312 ZP
8	4	U000180 SCREW, HC .312-18 X .750 ZP G5
9	4	U000460 SCREW, HC .375-16 X 1.50 ZP G5
10	8	U200060 WASHER FLAT .375 ZP
11	4	U120110 NUT, LOCK .375-16 NY ZP
12	1	8098068 HOSE, WIRE BRAID #12 - 42 3/16"

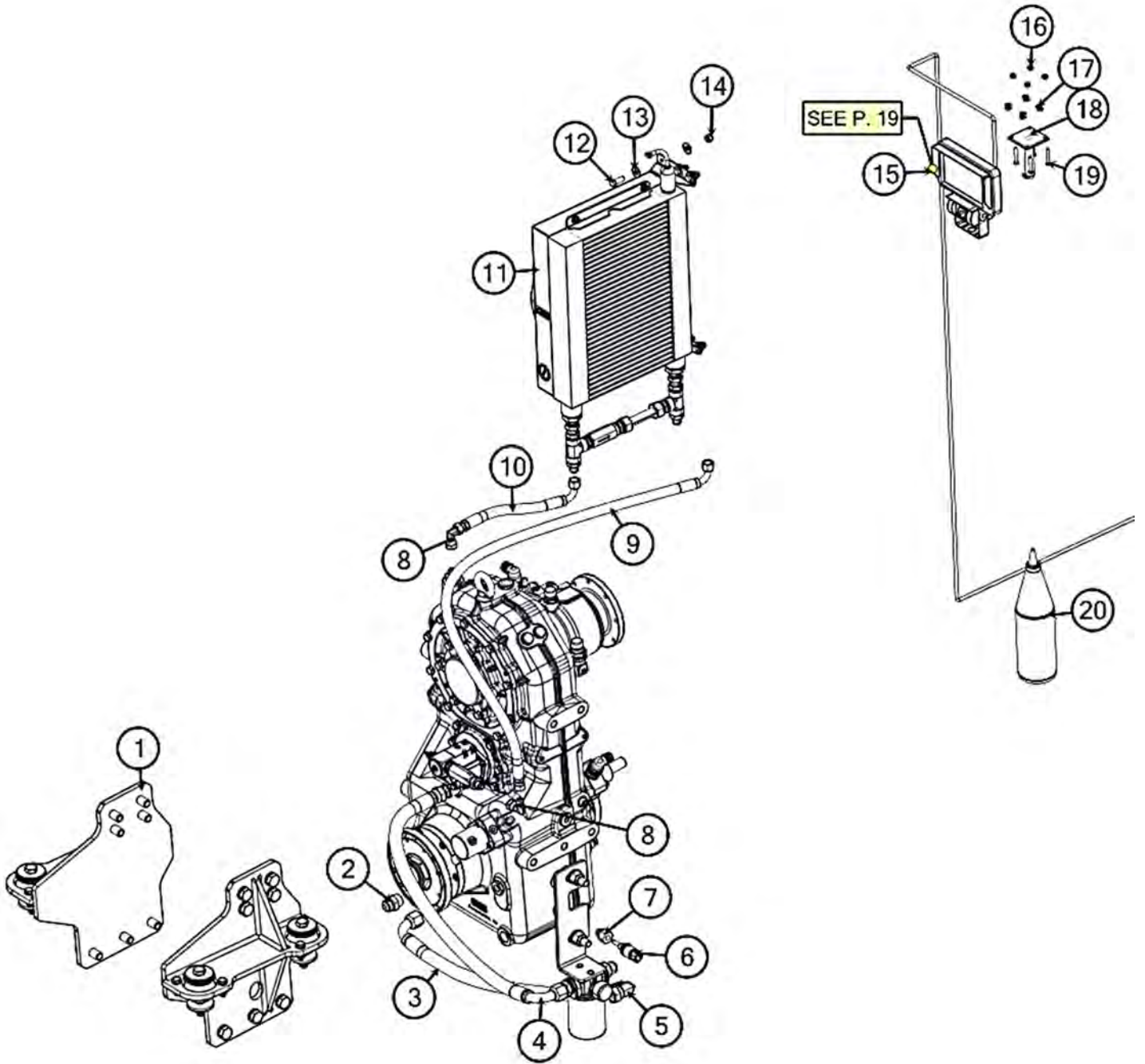
VXT8 POWERDECK HOSES



VXT8 POWERDECK HOSES

BOM ID	Qty	Name
1	1	8043759 HOSE ASSY VAC 4-15" ST-90
2	1	8098173 HOSE ASSY VAC 8-24" ST-ST
3	1	8098447 HOSE ASSY VAC 8-29" ST-ST
4	1	8098177 HOSE ASSY SUCTION 24-64"LG
5	1	8098171 HOSE ASSY VAC 12-35.5" ST-90
6	1	8098179 HOSE ASSY VAC 8-92" ST-90
7	2	8098170 HOSE ASSY VAC 12-36" ST-ST
8	1	8098172 HOSE ASSY VAC 12-124" ST-90
9	1	8098181 HOSE ASSY VAC 4-152" ST-90
10	1	8098143 HOSE ASSY VAC 4-162" ST-90
11	1	8098178 HOSE ASSY VAC 8-92"ST-90
12	1	8098180 HOSE ASSY VAC 8-22"ST-90

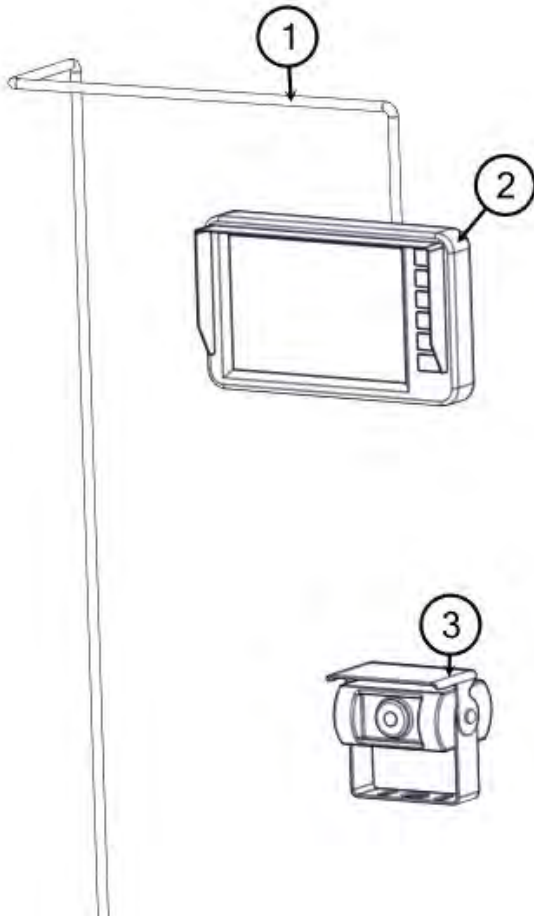
VXT8 PTO CAN_AM ASSEMBLY



VXT8 PTO CAN_AM ASSEMBLY

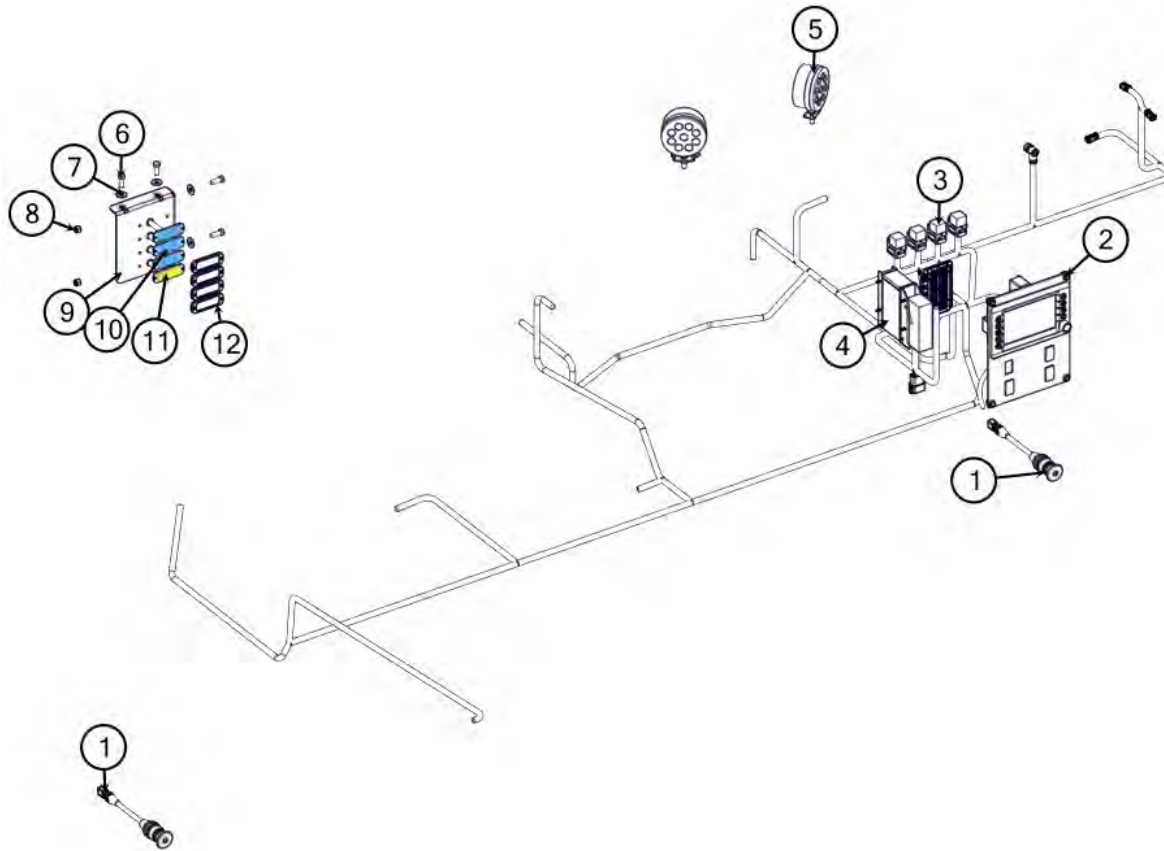
BOM ID	Qty	Name
1	1	8094131 KIT, MOUNTING TRANSFER CASE
2	1	T400220 UNION, 3/4"MB-3/4"MJ
3	1	8098162 HOSE ASSY VAC 12 - 23"LG ST-90
4	1	8041488 HOSE ASSY VAC 12 - 30"LG ST-90
5	1	T401628 ELBOW, 90 3/4"FJ-3/4"MJ
6	1	296394151 TEMP TRANSDUCER - HYDAC 1" PROBE
7	1	8098163 REDUCER, M14 X 1.5 MALE TO 06
8	2	T401625 ELBOW, 90 1/2"FJ-1/2"MJ
9	1	8041490 HOSE ASSY VAC 8 - 52" ST-90
10	1	8049049 HOSE ASSY VAC 8 - 10.50"LG ST-90
11	1	8097220 ASSEMBLY, HEAT EXCHANGER OIL
12	6	U000420 SCREW, HC .375-16 X 1.00 ZP G5
13	12	U200060 WASHER FLAT .375 ZP
14	6	U110060 NUT, ST .375-16 ZP G2
15	1	8098092 BACK-UP CAMERA SYSTEM, W/MONITOR AND CABLE
16	4	U100012 NUT, NY #10-24
17	8	U200000 WASHER FLAT #10 ZP
18	1	8095750 MOUNT, MONITOR, IN-CAB
19	4	U002000 SCREW, HC 10-24 X 1.50 MS ZINC
20	12	L200025 OIL, GEAR 75W-90 LS FULL SYN

VXT8 PTO CAN_AM (Back-up Camera) ASSEMBLY



BOM ID	Qty	Name
1	1	8098092-1 CABLE, MONITOR AND CAMERA
2	1	8098092-2 MONITOR, 7" IN-CAB
3	1	8098092-3 CAMERA, BACK-UP

VXT8 ELECTRICAL ASSEMBLY



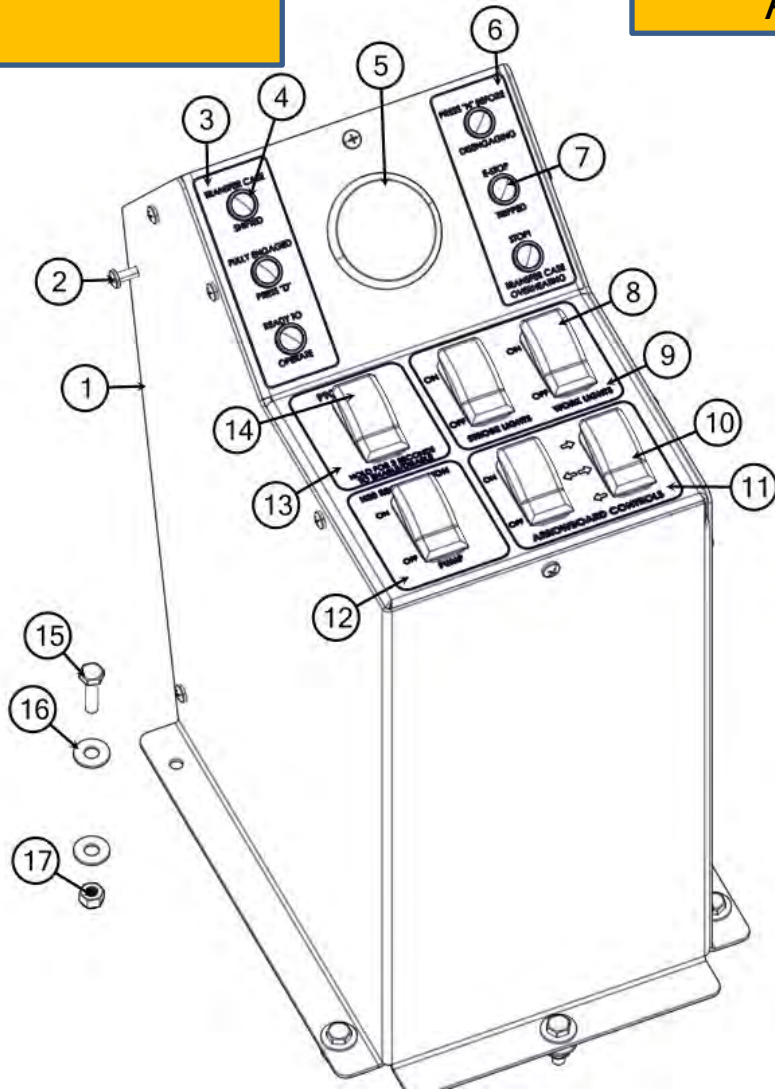
BOM ID	Qty	Name
1	2	296333754 E-STOP HEAVY DUTY
2	1	8098002 ASSEMBLY, CONTROL PTO STD
3	1	X200211 HARNESS, ELECTRIC VXT
4	1	8092953 CONTROLLER IFM CAN (BASE)
5	4	8093939 LIGHT, WORK OPTILUX 5RD
6	4	U000420 SCREW, HC .375-16 X 1.00 ZP G5
7	8	U200060 WASHER FLAT .375 ZP
8	4	U120110 NUT, LOCK .375-16 NY ZP
9	1	8098126 PLATE, WATER LEVEL INDICATOR MOUNT
10	3	8098193 THIN MOUNT STROBE BLUE
11	1	8098194 THIN MOUNT STROBE AMBER
12	4	8096029 BEZEL, CHROME

***Not Shown**

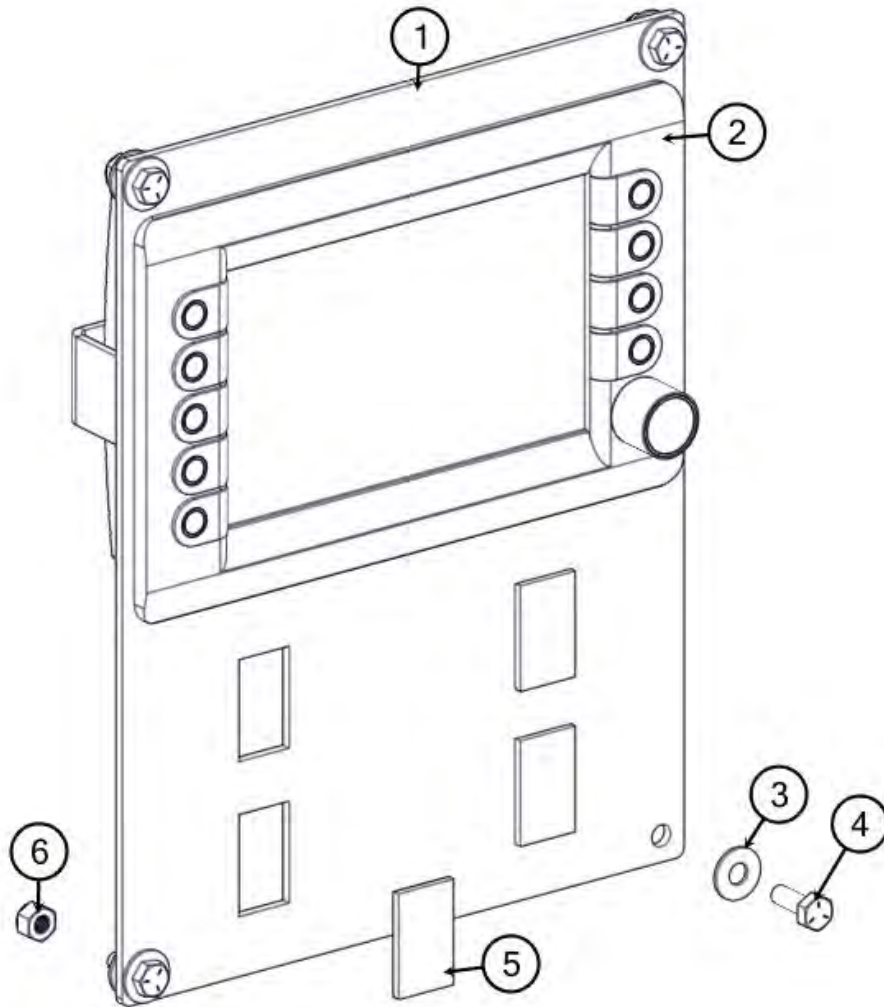
X200187	1	HARNESS, VXT8 SADDLE TANK WORK LIGHTS
X200195	1	VXT-8 CAB HARNESS PHASE 2
X200196	1	VXT-8 ENCLOSURE TO CAB HARNESS PHASE 2
X200203	1	HARNESS, FRAME VX200

VXT8 IN-CAB CONSOLE CONTROL

VXT8 ELECTRICAL ASSEMBLY



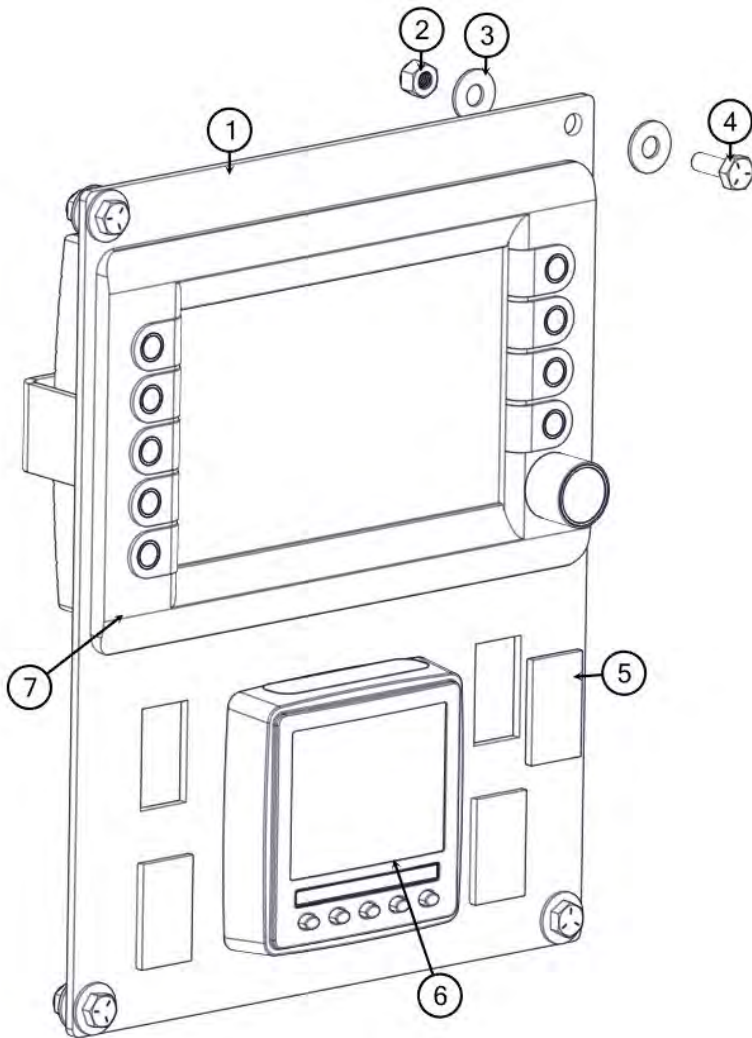
BOM ID	Qty	Name
1	1	8098076 IN CAB CONSOLE CONTROLS BOX
2	14	U030796 SCREW, PAN HD PHIL #10-24 X .500
3	1	J200835 DECAL,CONSOLE BOX GREEN INDICATOR LEDES
4	3	8098081 ED,PANEL MOUNT INDICATOR 12V
5	1	8041826 PLUG, PLASTIC PANEL 2-1/8" BLACK
6	1	J200836 DECAL,CONSOLE BOX RED INDICATOR LEDES
7	3	8098082 LED,PANEL MOUNT INDICATOR 12V RED
8	4	X000270 SWITCH ROCKER SPST ON-NONE-OFF
9	1	J200839 DECAL,CONSOLE BOX STROBE & WORK LIGHT
10	1	X000277 ACTUATOR SWITCH CANTERA II
11	1	J200838 DECAL,CONSOLE BOX ARROWBOARD CONTROLS
12	1	J200840 DECAL,CONSOLE BOX H20 RECIRC ROCKER SWITCH
13	1	J200837 DECAL, CONSOLE BOX PTO SWITCH
14	1	X000272 ROCKER SWITCH DPST (ON) NONE-ON -
15	5	U000060 SCREW, HC .250-20 X 1.00 ZP G5
16	9	U200020 WASHER FLAT .250 ZP
17	6	U100020 NUT, HEX .250-20 ZP G2



BOM ID	Qty	Name
1	1	8098004 WELDMENT, CONTROLS PTO
2	1	8092120 DISPLAY, COLOR PTO
3	8	U200020 WASHER, FLAT 1/4" ZP
4	4	U000040 SCREW, HC .250-20 X .750 ZP G5
5	3	X000290 PLUG, ROCKER HOLE
6	4	U120000 NUT, LOCK NY .250-20 ZP G2

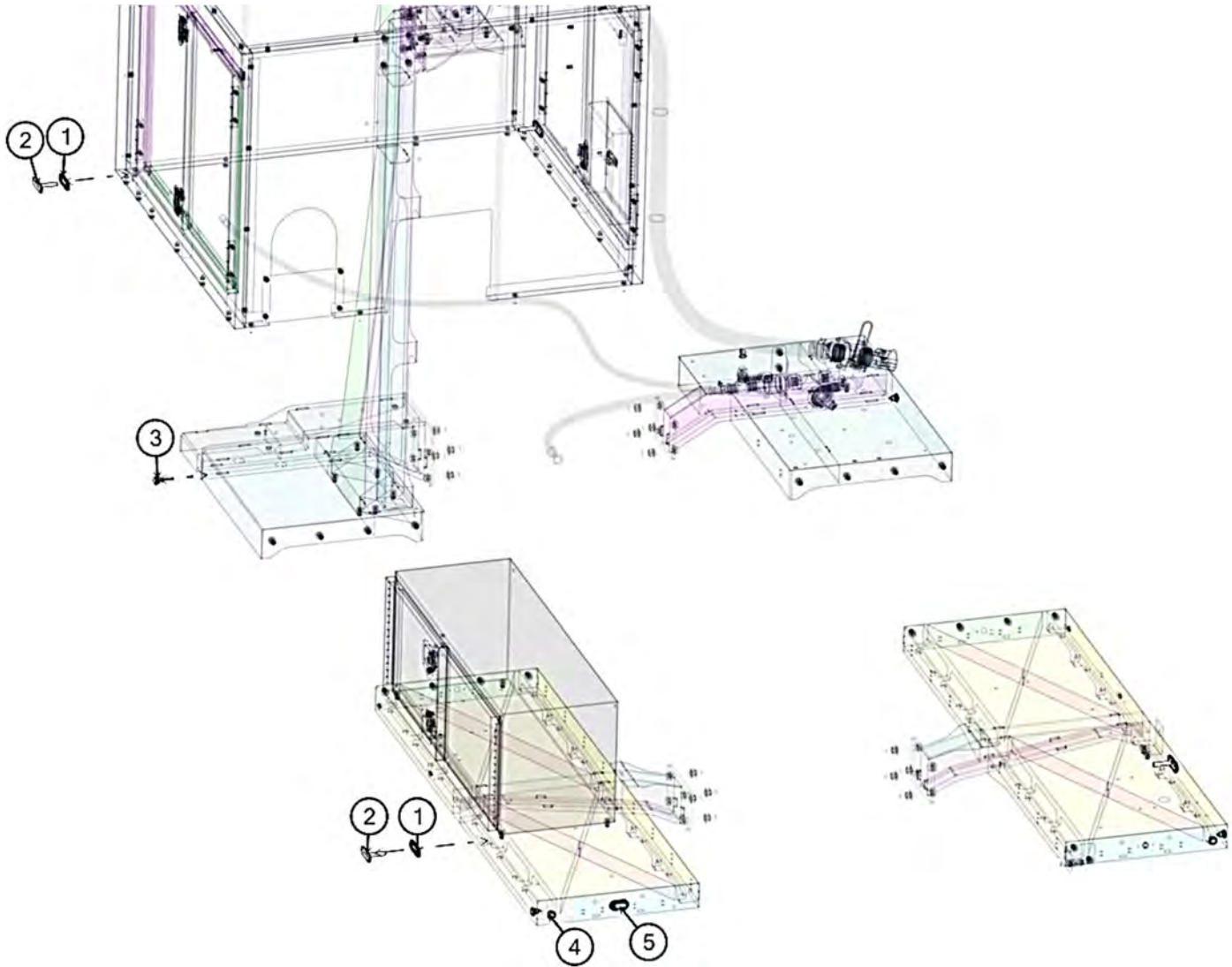
VXT8 CONTROLS w/AIR

VXT8 ELECTRICAL ASSEMBLY



BOM ID	Qty	Name
1	1	8098000 WELDMENTS, CONTROLS PTO
2	4	U120000 NUT, LOCK NY .250-20 X .750 ZP G5
3	8	U200020 WASHER, FLAT 1/4" ZP
4	4	U000040 SCREW, HC .250-20 X .750 ZP G5
5	3	X000290 PLUG, ROCKER HOLE
6	1	8097071-134 DISPLAY SCREEN
7	1	8092120 DISPLAY, COLOR PTO

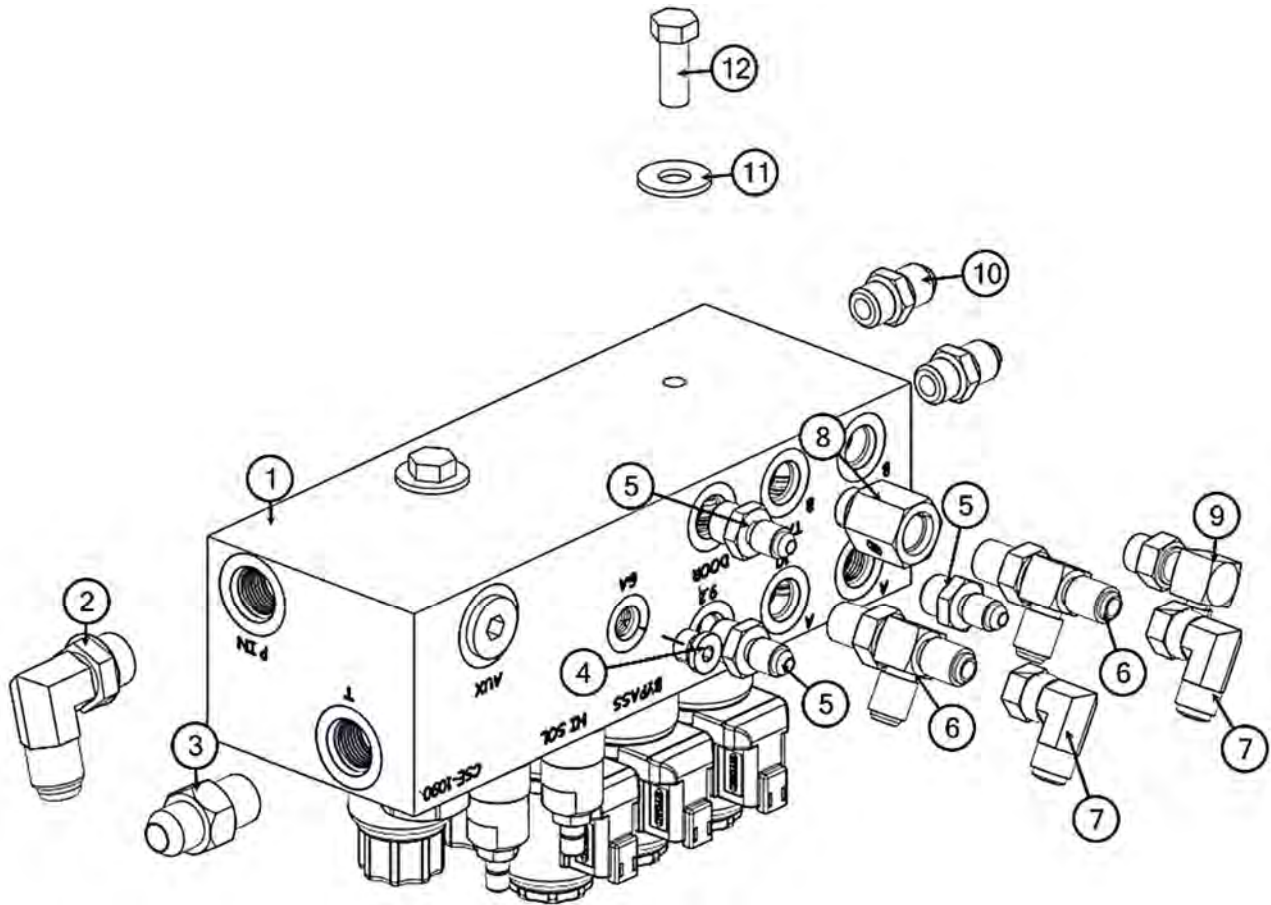
VXT8 ELECTRICAL ASSEMBLY (On-Road)



BOM ID	Qty	Name
1	4	8096029 BEZEL, CHROME THIN MOUNT LED
2	4	8096028 LIGHT, THIN MOUNT HORIZ STROBE
3	2	8096761 LIGHT, RUNNING 3/4" AMBER
4	4	8096762 LIGHT, RUNNING 3/4" RED
5	1	8097874 LIGHT, DIRECTIONAL LED LICENSE

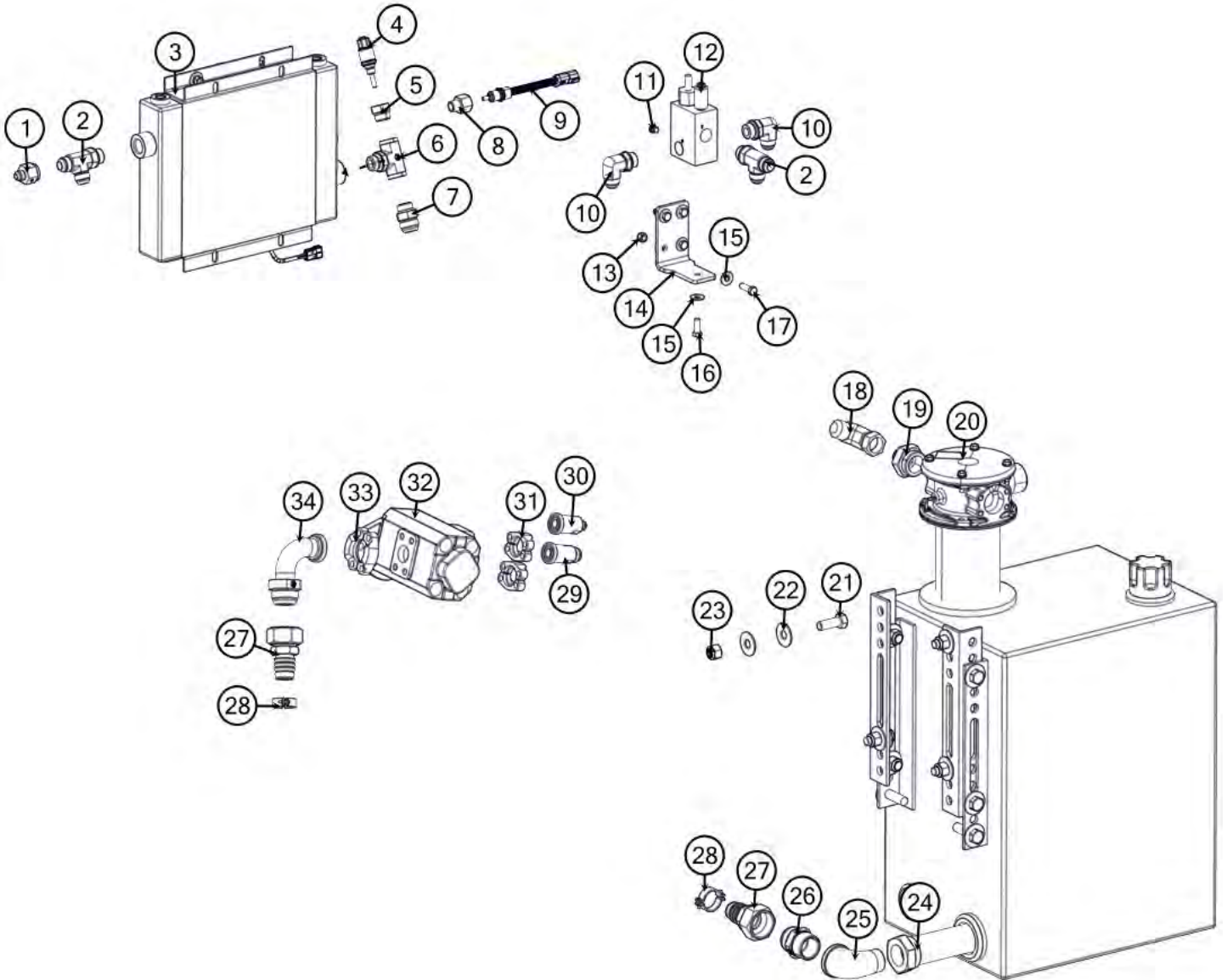
* NOT SHOWN
 X200189 1 HARNESS, VXT8 SKID LIGHTS

VXT8 HYDRAULIC MANIFOLD ASSEMBLY



BOM ID	Qty	Name
1	1	8094243 ASSEMBLY, MANIFOLD BASE/AUX
2	1	T401280 ELBOW, 90 1/2"MB-1/2"MJ
3	1	296429750 CHECK VALVE, 5 PSI
4	1	T405087 PLUG, 1/4" MB HEX HEAD
5	3	T400550 REDUCER, 3/8"MB-1/4"MJ
6	2	T402148 TEE 6MB-6MJ-6MJ
7	2	T401228 ELBOW 90 6MJ-6FJ
8	1	T400049 UNION, 3/8 MORB - 3/8 FORB
9	1	T401240 ELBOW, 90 3/8"MB(ADJ)-1/4"MJ
10	2	T400037 UNION, 3/8"MB-3/8"MJ
11	2	U200060 WASHER FLAT .375 ZP
12	2	U000420 SCREW, HC .375-16 X 1.00 ZP G5

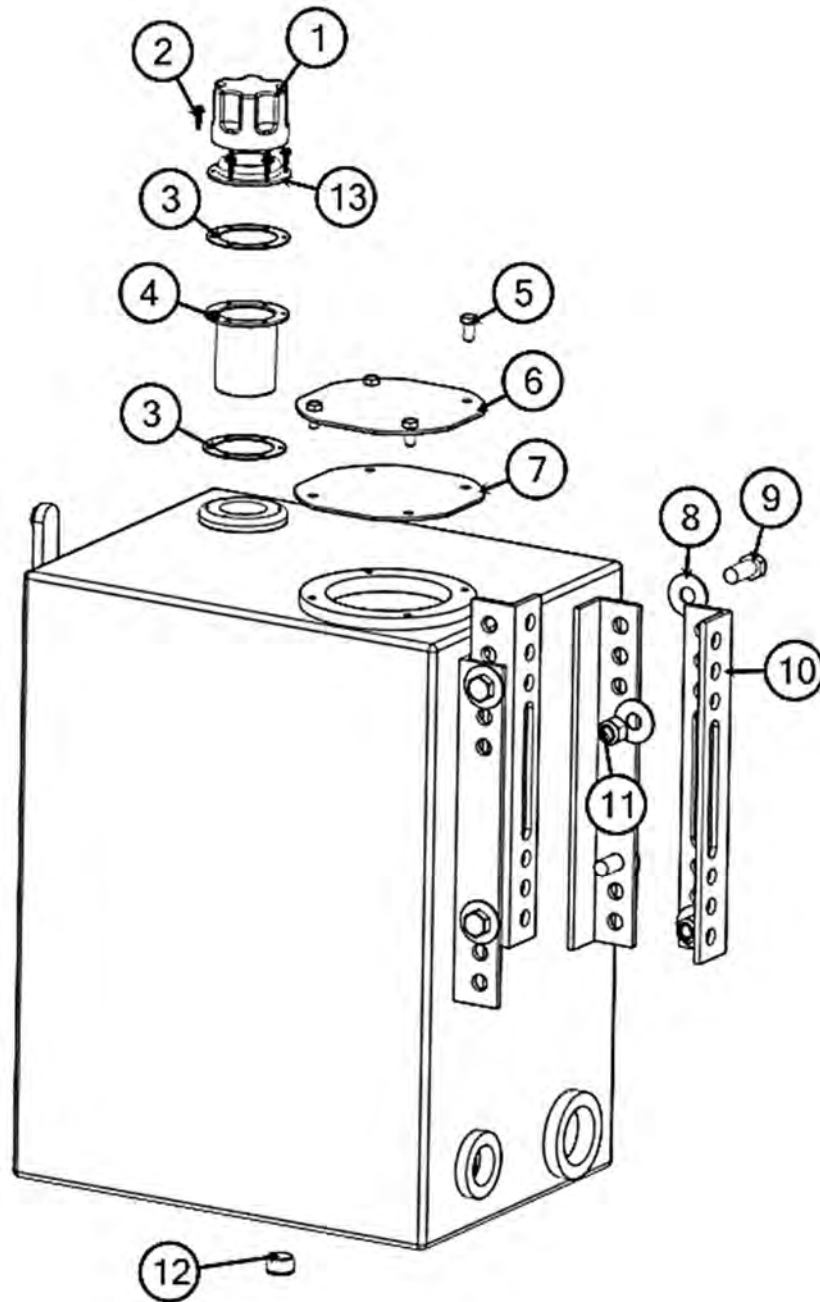
VXT8 HYDRAULIC ASSEMBLY



VXT8 HYDRAULIC ASSEMBLY

BOM ID	Qty	Name
1	1	T403136 REDUCER, 3/4"FJ-1/2"MJ
2	2	T402152 TEE, 3/4"MJ-3/4"MJ-3/4"MB(ADJ)
3	1	8094242 COOLER, OIL AIR-OVER-OIL
4	1	296394151 TEMP TRANSDUCER - HYDAC 1" PROBE
5	1	8098196 REDUCER, 12MB - 6FB
6	1	8098197 TEE, 12FB - 12FB - 12MAB
7	1	T400520 REDUCER, 3/4"MB-1"MJ
8	1	T400147 UNION, 1/2"MB-1/2"FP
9	1	8047920 SWITCH TEMP OIL AUX HYD 165F
10	2	T401340 ELBOW, 90 3/4"MB(ADJ)-3/4"MJ
11	1	T405087 PLUG, 1/4" MB HEX HEAD
12	1	8094238 VALVE, RELIEF SOLENOID VENTING
13	4	U120110 NUT, LOCK .375-16 NY ZP
14	1	8098032 PLATE, WATER PUMP VALVE MOUNT
15	9	U200060 WASHER FLAT .375 ZP
16	1	U000420 SCREW, HC .375-16 X 1.00 ZP G5
17	4	U000440 SCREW, HC .375-16 X 1.25 ZP G5
18	1	T401630 ELBOW, 90 1"FJ-1"MJ
19	1	T403089 REDUCER, 1-1/2"MB-1"MJ
20	1	8094179 ASSEMBLY, FILTER RETURN IN TANK MOUNT W/FLANGE
21	8	U001190 SCREW, HC .625-11 X 1.50 ZP G5
22	18	U200140 WASHER FLAT .625 ZP
23	8	U120020 NUT, LOCK NY, .625-11 ZP G2
24	1	8094178 STRAINER, INLET 30 MESH 3 PSI
25	1	T401615 ELBOW, 90 1 1/4MP X 1 1/2FP
26	1	T400580 UNION, 1-1/2"MP-1-1/2"MJ
27	2	T410060 FITTING, 1-1/2"FJ(SW)1-1/2 HOSE
28	2	T430320 CLAMP, HOSE 2PC CAT TYPE #24
29	1	8095830 FITTING, 12MJ - 12 FLANGE STR
30	1	8095829 FITTING, 8MJ - 12 FLANGE STR
31	2	8095831 FITTING, 12 SPLIT FLANGE FACE
32	1	8094237 PUMP, HYDRAULIC GEAR TYPE DOUBLE PUMP
33	1	8095833 FITTING, SAE 20 SPLIT FLANGE
34	1	8095832 FITTING, ELBOW 90 24MJ-20FLANGE

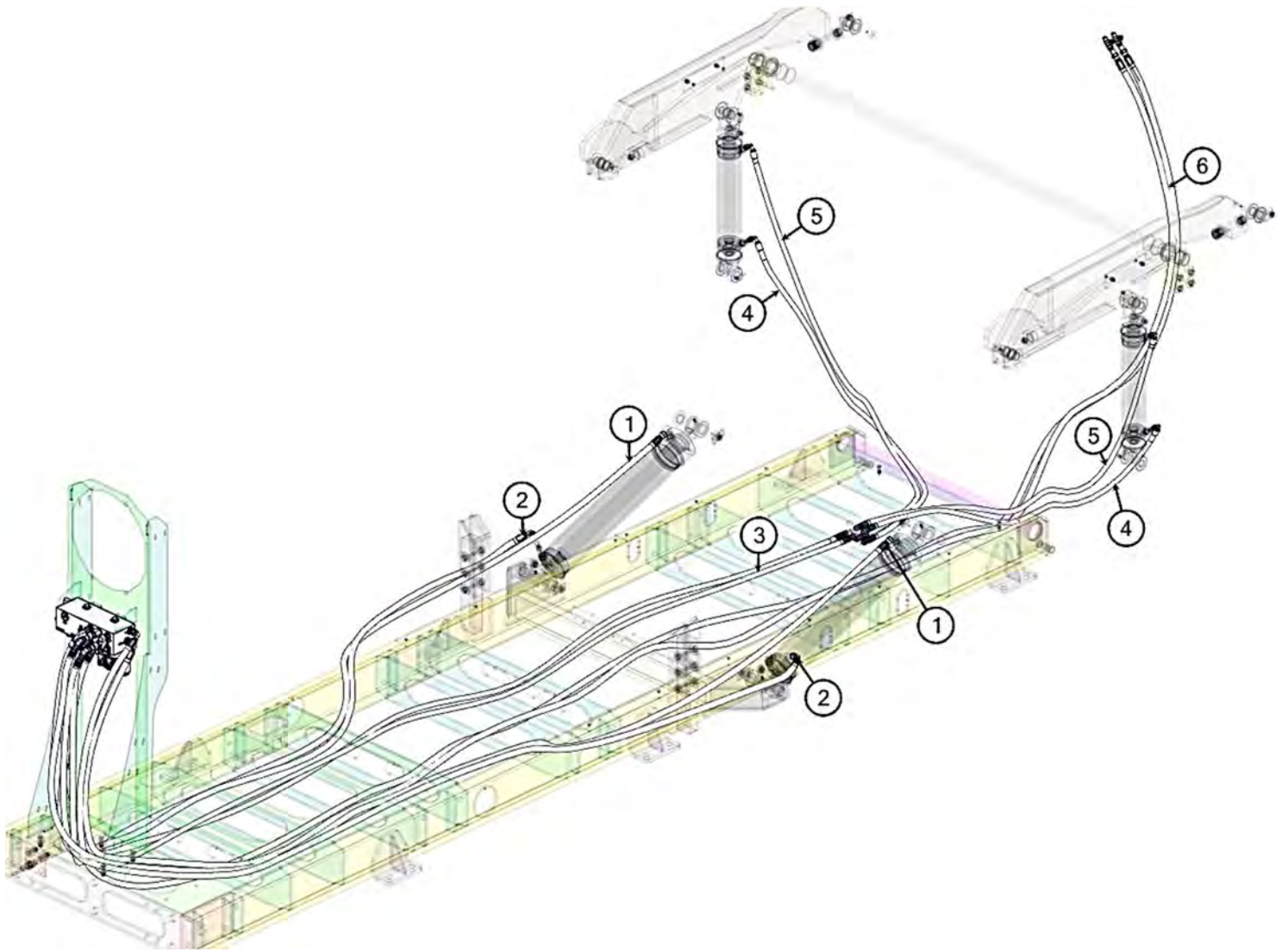
VXT8 HYDRAULIC TANK ASSEMBLY



VXT8 HYDRAULIC TANK ASSEMBLY

BOM ID	Qty	Name
1	1	8094186-04 CAP, 40 MICRON FILLER BREATHER
2	6	8094186-11 SCREW, HEX SELF TAPPING TEK #10 X 3/4
3	2	8094186-05 GASKET, STRAINER 3"
4	1	8094186-07 STRAINER SCREEN 3"
5	4	8094186-15 SCREW, HEX CAP 3/8-16 UNC X .75
6	1	8094186-10 COVER, FILTER 10 GA. HRPO
7	1	8094186-06 GASKET, NEOPRENE FILTER .125
8	8	8094186-12 WASHER, PLAIN STEEL 1 3/4 X 11/16 X 1/8 THK
9	4	8094186-13 SCREW, HEX CAP 5/8-11 UNC X 1.5
10	2	8094186-08 ANGLE, MOUNT 2" X 2"
11	4	8094186-14 NUT, LOCK 5/8 STD NC
12	1	8094186-09 PLUG 3/4 MP MAG
13	1	8094186-03 FILLER NECK

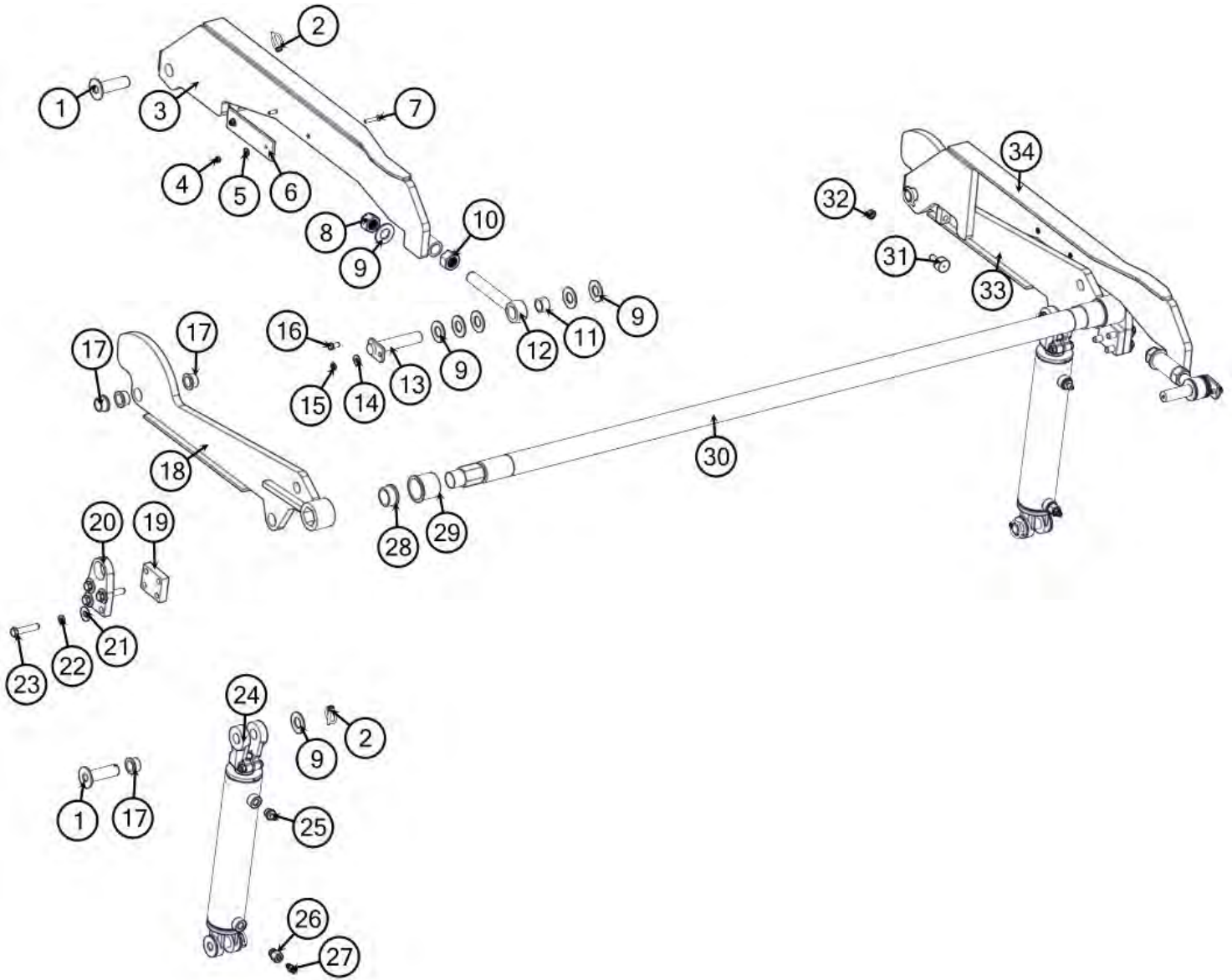
VXT8 HYDRAULIC HOSE ASSEMBLY (TANK/DOOR)



VXT8 HYDRAULIC HOSE
ASSEMBLY (TANK/DOOR)

BOM ID	Qty	Name
1	2	8098147 HOSE ASSY 6-156" ST-ST
2	2	8098146 HOSE ASSY 6-130" ST-90
3	2	8098143 HOSE ASSY 4-162" ST-90
4	2	8098144 HOSE ASSY 4-57" ST-90
5	2	8098145 HOSE ASSY 4-70" ST-90
6	2	8098142 HOSE ASSY 6-281" ST-90

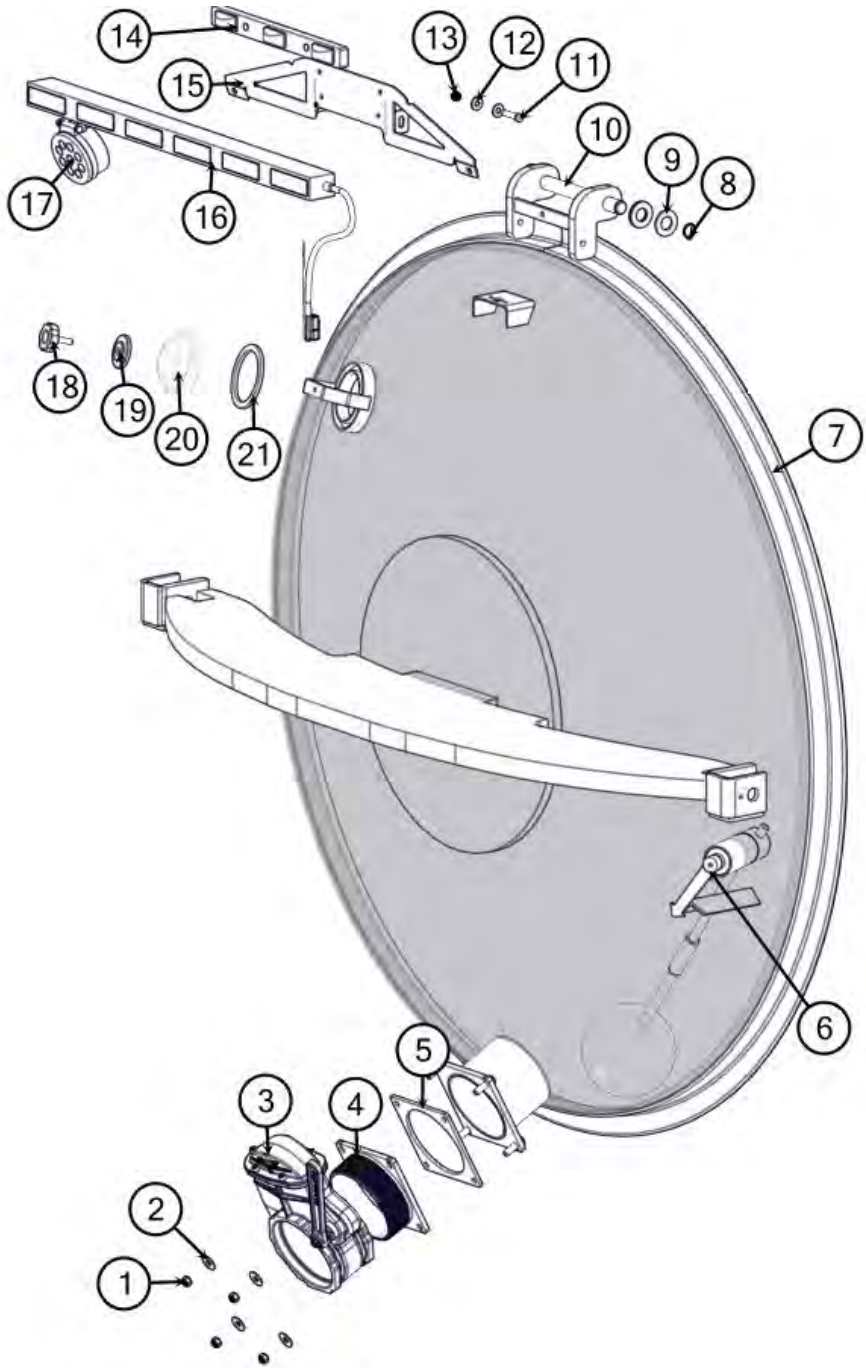
VXT8 DOOR LINKAGE ASSEMBLY



VXT8 DOOR LINKAGE ASSEMBLY

BOM ID	Qty	Name
1	6	8042489 CYLINDER PIN
2	6	U340050 PIN LINCH 3/16X1-9/16 ZP
3	1	8044868 LONG LINKAGE ARM WELDMENT HLD STREET
4	4	U120000 NUT, LOCK, NY .250-20 ZP G2
5	4	U200020 WASHER FLAT .250 ZP
6	2	8047449 PLASTIC STRIP HYD DOOR GUIDE
7	4	U030018 SCREW, SFH .250-20 X 1.50 Z
8	2	U120060 NUT, LOCK 1.00-8 NY ZP G2
9	16	U200170 WASHER FLAT 1.000
10	2	U100240 NUT, HEX 1.000-8 ZP G2
11	2	8041524 BUSHING BRONZE 1.25 X 1.0 X .75 PL
12	2	8043131 ROD END 1"-8 X 7 1/2"
13	2	8043844 CYLINDER PIN FLANGED 1" X 5-1/2"
14	2	U200060 WASHER FLAT .375 ZP
15	2	U210060 WASHER LOCK .375 ZP
16	2	U000400 SCREW, HC .375-16 X .750 ZP G5
17	8	8041883 BUSHING BRONZE 1.25 X 1.0 X .63 FL
18	1	8047959 WELDMENT, LINKAGE SHORT LEFT
19	2	8044807 SPACER OUTER BEARING SUPPORT PLATE
20	2	8041621 BEARING SUPPORT PLATE
21	8	U200100 WASHER FLAT .500 ZP
22	10	U210100 WASHER LOCK .500 ZP
23	8	U000900 SCREW, HC .500-13 X 2.50 ZP G5
24	2	8092326 CYLINDER, HYD 3 X 12
25	2	T400611 REDUCER, 1/2"MB-1/4"MJ
26	2	T400350 REDUCER, 1/2"MB - 1/4"FB
27	2	8090251 FITTING, ORIFICE 0.020
28	2	8041724 1 1/2" FLANGED BUSHING MOD
29	2	8041602 BUSHING BRONZE 2.25 X 2.0 X 2.0 FL
30	1	8093597 WELDMENT, LINKAGE CROSS TUBE 66"OD TANK
31	2	W000020 BEARING, CAMROL 1.25"
32	2	U160015 NUT, JAM .500-20
33	1	8047958 WELDMENT, LINKAGE SHORT RIGHT
34	1	8044867 LONG LINKAGE ARM WELDMENT CURB HLD

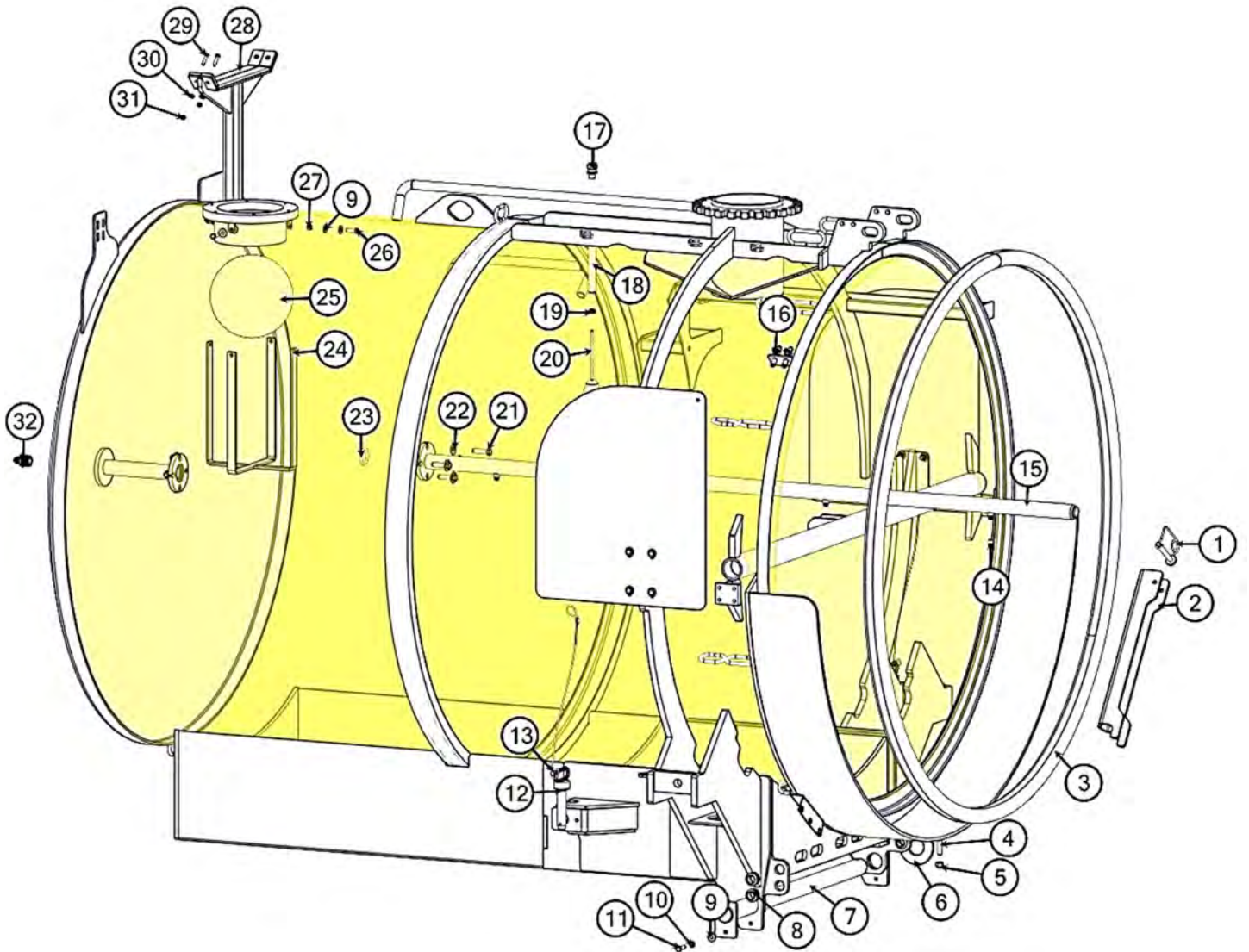
VXT8 TANK DOOR ASSEMBLY



VXT8 TANK DOOR ASSEMBLY

BOM ID	Qty	Name
1	4	U120132 NUT, LOCK .438-14 NY
2	4	U200063 WASHER FLAT .438 ZP
3	1	8030849 VALVE, 6"GATE BRASS LEVER TYPE
4	1	8046199 GATE VALVE TANK FLANGE 6"
5	1	8046191 GASKET DOOR LE INLET/OUTLET
6	1	8092325 GAUGE, SPOIL FLOAT
7	1	8096358 WELDMENT, DOOR 1600 600 GAL
8	2	U500020 SNAP RING, EXT 1" SHAFT ZP
9	6	U200170 WASHER FLAT 1.000
10	1	8040058 DOOR HINGE ROD
11	2	U000480 SCREW, HC .375-16 X 1.75 ZP G5
12	4	U200060 WASHER FLAT .375 ZP
13	2	U110060 NUT, ST .375-16 ZP G2
14	1	8041509 LIGHT TANK CLEARANCE 3 BAR
15	1	8093908 WELDMENT, LIGHT DIRECTIONAL BOOM
16	1	8096734 LIGHT, DIRECTIONAL LED
17	1	8093939 LIGHT, WORK OPTILUX 5RD
18	1	8031046 SCREW, HANDWHEEL, SIGHT GLASS
19	1	8031047 PLATE, SIGHT GLASS
20	1	8031048 SIGHTGLASS, 5"GLASS ONLY
21	1	8032007 GASKET, 4"FLAT ALUM COUPLER

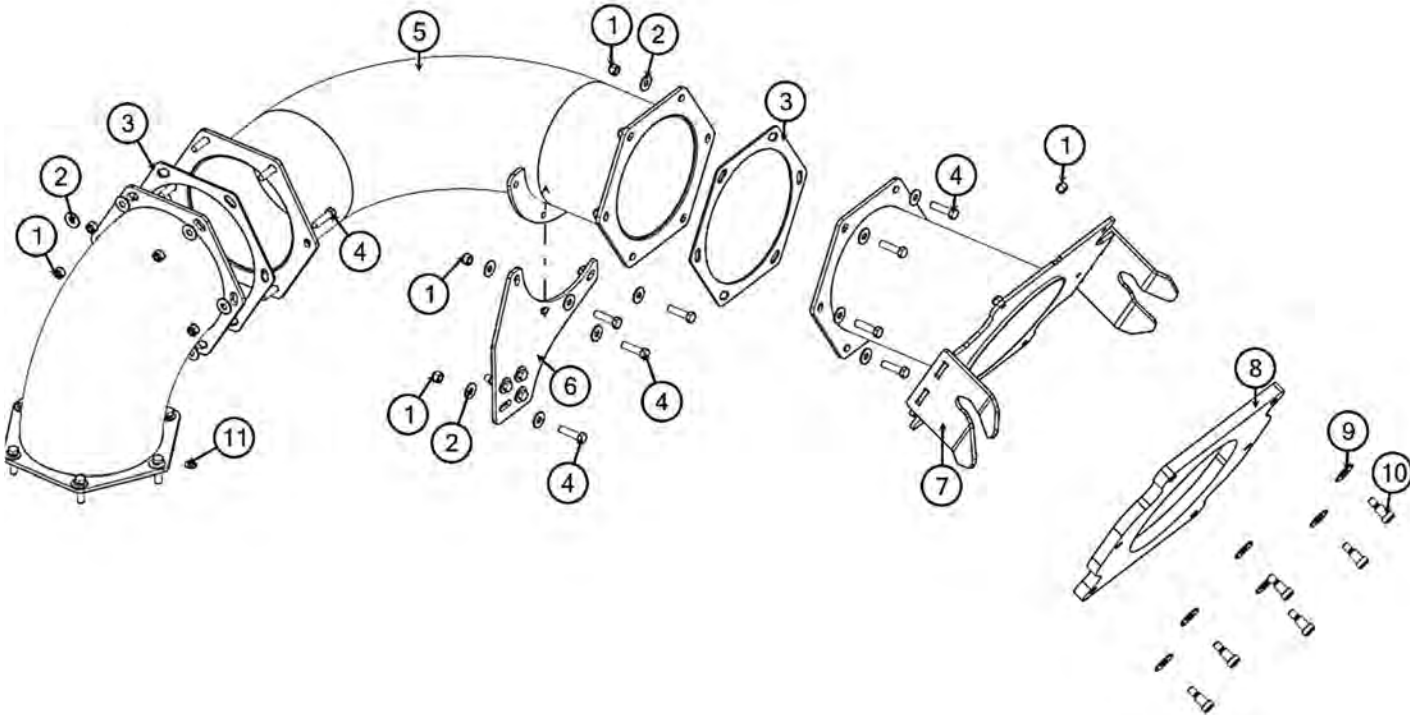
VXT8 1600 66" TANK ASSEMBLY



VXT8 1600 66" TANK ASSEMBLY

BOM ID	Qty	Name
1	1	8044978 PIN, SAFETY 3/8 X 4.00
2	1	8044915 TANK SAFETY BRACE
3	1	8093728 SEAL, DOOR 66" DIA TANK
4	1	U000930 SCREW, HC .500-13 X 3.00 ZP G5
5	5	U160018 NUT, LOCK .500-13 NY ZP
6	1	U200180 WASHER FLAT 2.125ID X 4.5OD
7	1	8097187 WELDMENT, PIN TANK PIVOT
8	4	8041686 HANGER TUBE GUSSET
9	27	U200060 WASHER FLAT .375 ZP
10	1	U210060 WASHER LOCK .375 ZP
11	9	U000460 SCREW, HC .375-16 X 1.50 ZP G5
12	2	8041626 PIN HITCH 1" X 4 1/2"
13	2	8093841 ASSEMBLY, LANYARD CABLE 30"LG
14	5	8030369 NOZZLE, TANK CLEANOUT .20"X 40DEG.X 1/4 MP
15	1	8094636 WELDMENT, TANK CLEANOUT 1600 66"OD
16	2	T400390 BULKHEAD, ADAPTER
17	1	X000113 STRAIN RELIEF 1/2NPT .250-.375
18	1	8040769 TUBE TANK FULL SWITCH 8 INCH
19	1	8041291 BUSHING, RUBBER 7/8" HEAD 21/32" BODY
20	1	8030531 SWITCH FLUID LEVEL SPOIL TANK
21	4	U000880 SCREW, HC .500-13 X 2.00 ZP G5
22	8	U200100 WASHER FLAT .500 ZP
23	1	8030446 O'RING
24	1	8092438 CAGE, FLOAT BALL 10"
25	1	8043686 BALL FLOAT 10"OD STAINLESS
26	4	U000440 SCREW, HC .375-16 X 1.25 ZP G5
27	4	U110060 NUT, ST .375-16 ZP G2
28	2	8047711 STRIP, RUBBER BOOM FOOT
29	4	U030018 SCREW, SFH .250-20 X 1.50 Z
30	4	U200020 WASHER FLAT .250 ZP
31	4	U120000 NUT, LOCK NY .250-20 ZP G2
32	1	T400445 REDUCER 16MP-8MJ

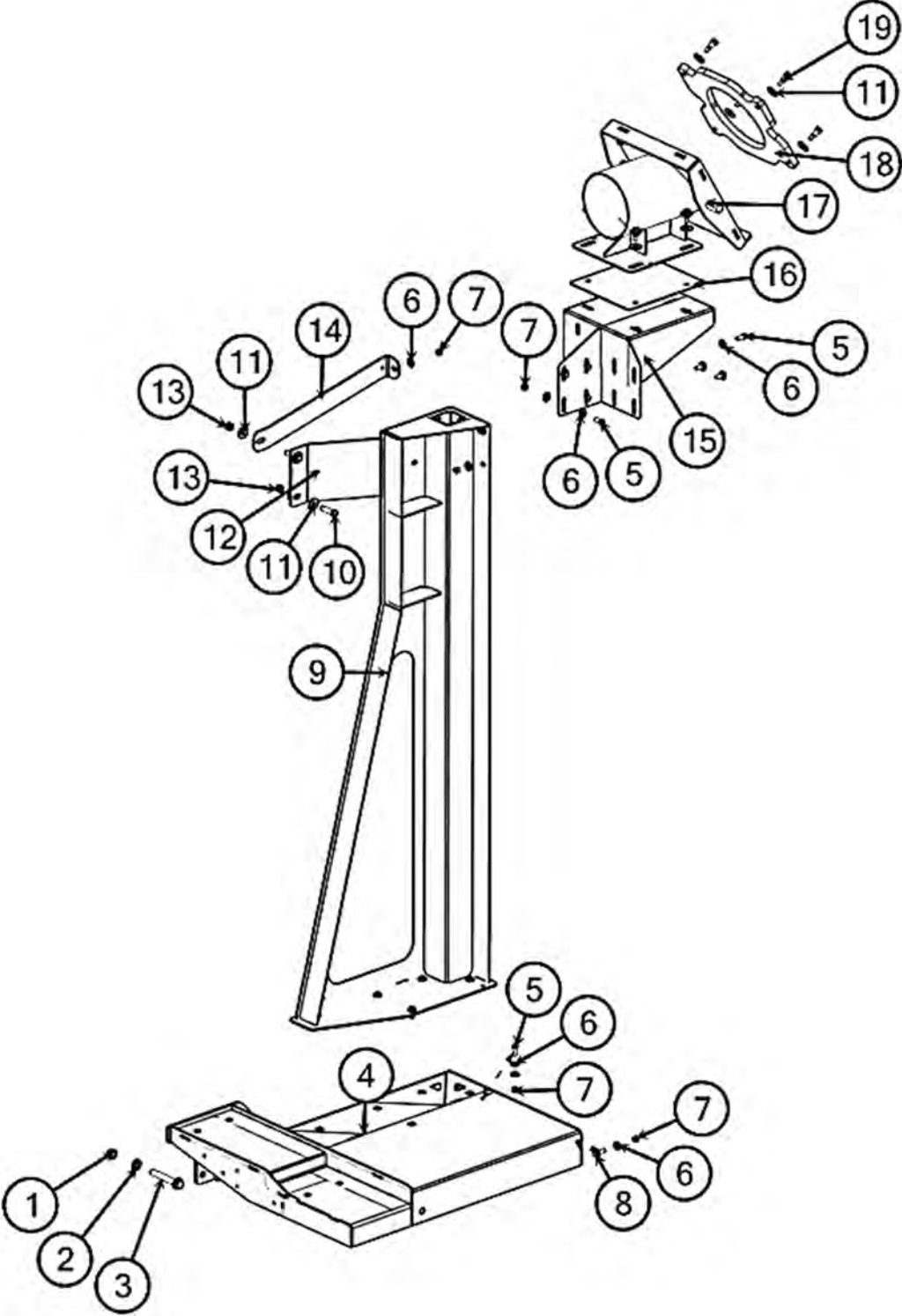
VXT8 TANK OUTLET ASSEMBLY



VXT8 TANK OUTLET ASSEMBLY

BOM ID	Qty	Name
1	25	U120110 NUT, LOCK .375-16 NY ZP
2	44	U200060 WASHER FLAT .375 ZP
3	2	8092436 GASKET, FILTRATION CONNECTION
4	24	U000460 SCREW, HC .375-16 X 1.50 ZP G5
5	1	8097653 WELDMENT, TANK OUTLET CONNECTION
6	1	8097783 PLATE, BOLT-ON ARM SUPPORT
7	1	8097657 WELDMENT, TANK OUTLET CONNECTION 2
8	1	8098074 GASKET, CYCLONE CONNECTION
9	6	U200100 WASHER FLAT .500 ZP
10	6	U022149 SCREW, SHOULDER .5 X 3/4 W 3/8-16
11	6	U210060 WASHER, LOCK .375 ZP

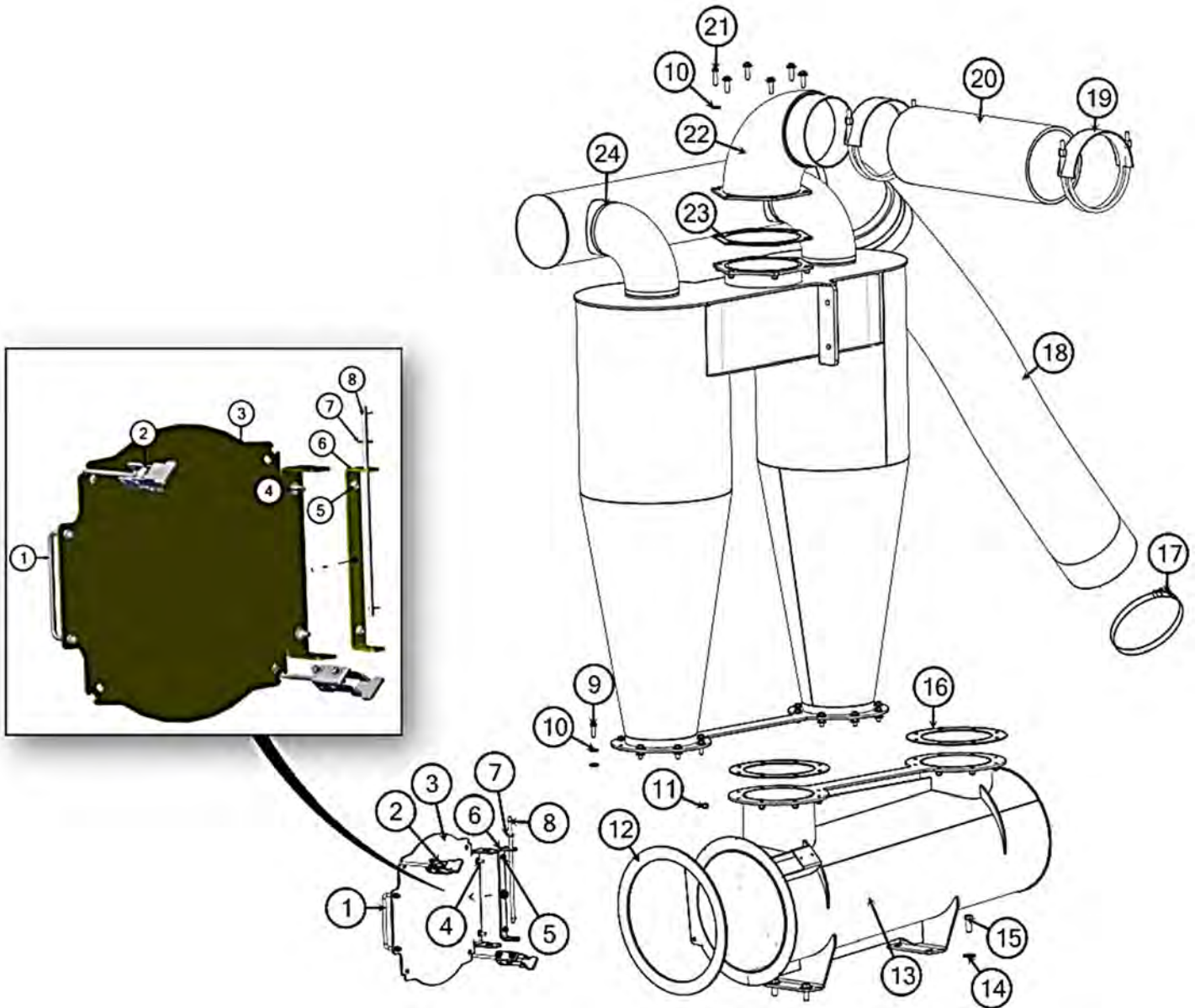
VXT8 CYCLONE FENDER ASSEMBLY



VXT8 CYCLONE FENDER ASSEMBLY

BOM ID	Qty	Name
1	4	U120025 NUT, LOCK, NY, .625-11 ZP G8
2	8	U200150 WASHER FLAT .625 ZP SAE HARD
3	4	U001332 SCREW, HC 5/8-11 FULL THREADED GR8 ZP
4	1	8097617 WELDMENT, CYCLONE FENDER
5	14	U000420 SCREW, HC .375-16 X 1.00 ZP G5
6	46	U200060 WASHER FLAT .375 ZP
7	27	U120110 NUT, LOCK .375-16 NY ZP
8	5	U000440 SCREW, HC .375-16 X 1.25 ZP G5
9	1	8097628 WELDMENT, CYCLONE CONNECTION
10	2	U000880 SCREW, HC .500-13 X 2.00 ZP G5
11	20	U200100 WASHER FLAT .500 ZP
12	1	8097800 PLATE, CYCLONE SUPPORT VERTICAL
13	4	U160018 NUT, LOCK .500-13 NY ZP
14	1	8098073 PLATE, CYCLONE SUPPORT VERTICAL
15	1	8097784 WELDMENT, CYCLONE CONNECTION MOUNT 2
16	1	8097772 SHEET, CYCLONE CONNECTION SLIDE
17	1	8097635 WELDMENT, CYCLONE CONNECTING TUBE
18	1	8097546 GASKET, CYCLONE CONNECTION
19	4	U022149 SCREW, SHOULDER .5 X 3/4 W 3/8-16

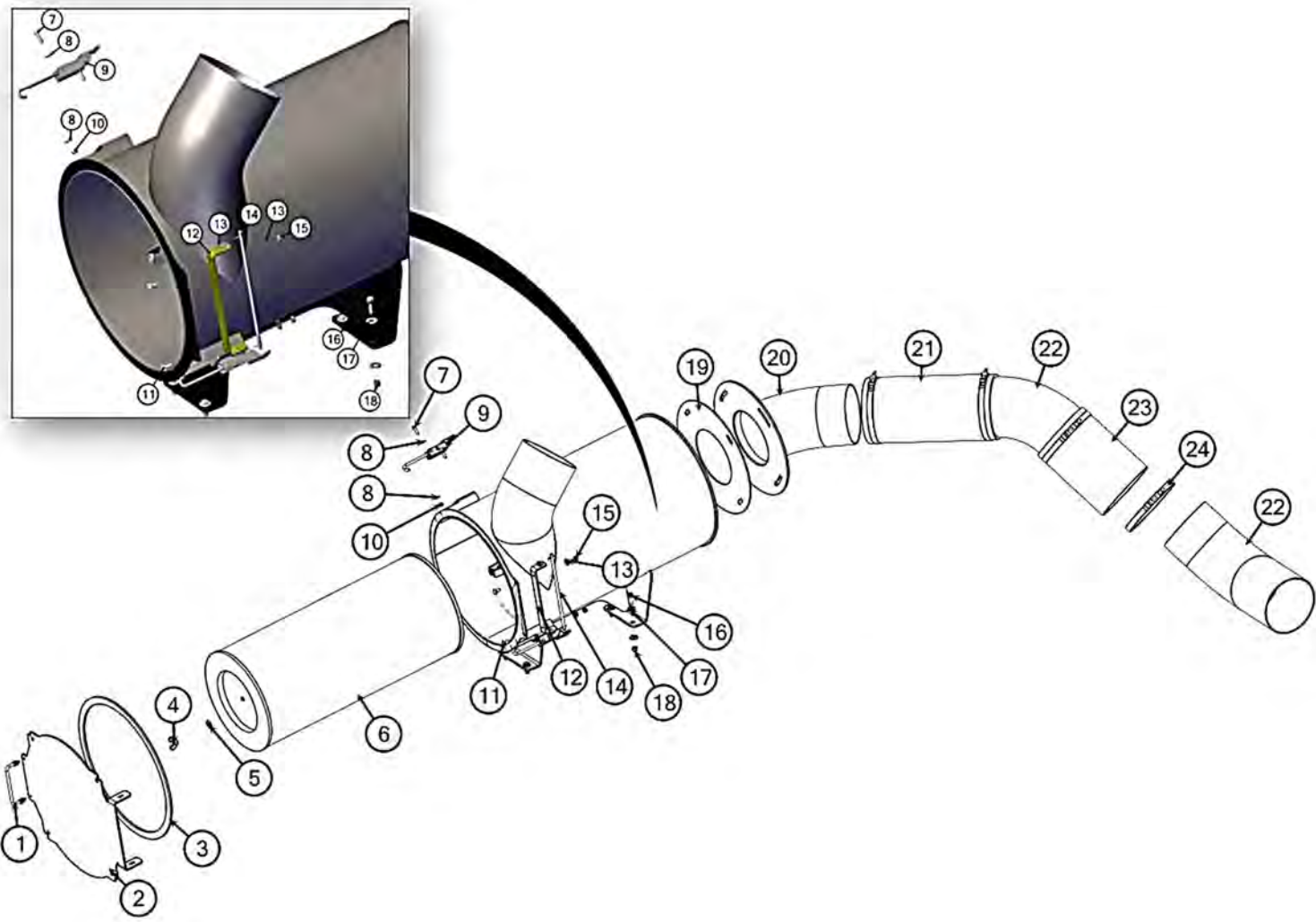
VXT8 CYCLONE ASSEMBLY



VXT8 CYCLONE ASSEMBLY

BOM ID	Qty	Name
1	1	8097872 HANDLE, GRIP PULL ROUND
2	2	8097604 LATCH, DRAW NONLOCKING ADJUSTABLE
3	1	8097539 PLATE, CYCLONE DOOR
4	2	U025005 SCREW, CARRIAGE .312-18 X .75 ZP
5	2	U110040 NUT, HEX .312-18 NY ZP G2
6	1	8097540 PLATE, DOOR HINGE
7	2	U200040 WASHER FLAT .312 ZP
8	1	8097594 PIN, CLEVIS HEADLESS 5/16 X 12"
9	16	U000440 SCREW, HC .375-16 X 1.25 ZP G5
10	44	U200060 WASHER FLAT .375 ZP
11	22	U120110 NUT, LOCK .375-16 NY ZP
12	1	8041612 GASKET, REV. FLOW CYCLONE
13	1	8097514 WELDMENT, CYCLONE HOUSING LOWER
14	4	U200100 WASHER FLAT .500 ZP
15	4	U000840 SCREW, HC .500-13 X 1.50 ZP G5
16	2	8092848 GASKET, CYCLONE FLANGE
17	2	8092896 CLAMP T-BOLT 8" HOSE
18	1	8098051 HOSE, CYCLONE TO FILTER
19	2	8097005-01 CLAMP, 8" HOSE MAT.HANDLING
20	1	8098064 HOSE, 8" SPIRIAL CYCLONE
21	6	U000460 SCREW, HC .375-16 X 1.50 ZP G5
22	1	8097741 WELDMENT, HOTBOX MOUNT
23	1	8092436 GASKET, FILTRATION CONNECTION
24	1	8095136 WELDMENT, CYCLONE VX200 UPPER

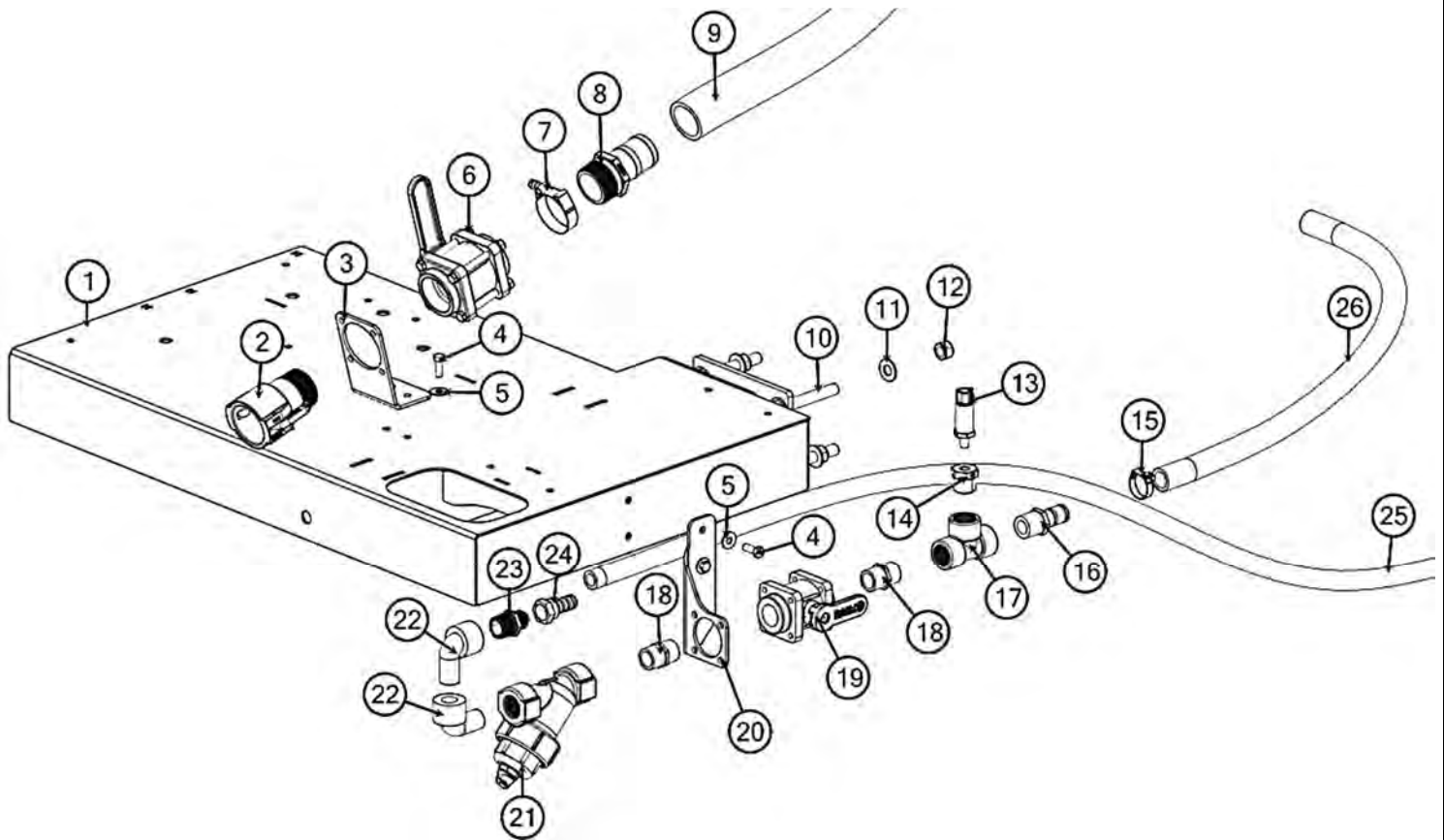
VXT8 AIR FILTER ASSEMBLY



VXT8 AIR FILTER ASSEMBLY

BOM ID	Qty	Name
1	1	8097872 HANDLE, GRIP PULL ROUND
2	1	8097538 PLATE, FILTER DOOR
3	1	8092008 GASKET, AIR FILTER HD
4	1	8041219 NUT, WING 1/2-13 3" WIDE
5	1	8031036 WASHER, GASKET-575CFM FILTER
6	1	8092258 FILTER, AIR 3200 CFM 14.5 x 32
7	4	U000060 SCREW, HC .250-20 X 1.00 ZP G5
8	8	U200020 WASHER FLAT .250 ZP
9	2	8097604 LATCH, DRAW NONLOCKING
10	4	U100020 NUT, HEX .250-20 ZP G2
11	2	U025005 SCREW, CARRIAGE .312-18 X .75ZP
12	1	8097540 PLATE, DOOR HINGE
13	4	U200040 WASHER FLAT .312 ZP
14	1	8097594 PIN, CLEVIS HEADLESS 5/16 X 12"
15	2	U110040 NUT, HEX .312-18 NY ZP G2
16	4	U000440 SCREW, HC .375-16 X 1.25 ZP G5
17	8	U200060 WASHER FLAT .375 ZP
18	4	U120110 NUT, LOCK .375-16 NY ZP
19	1	8092815 GASKET, AIR FILTER OUTLET
20	1	8097626 WELDMENT, FILTER OUTLET ELBOW
21	1	8098042 HOSE, FILTER OUTLET TO BLOWER
22	2	8098044 ELBOW, 8" 45DEG POWERPACK INLET
23	1	8098309 HOSE, FILTER OUTLET TO BLOWER SHORT
24	4	8092896 CLAMP T-BOLT 8" HOSE

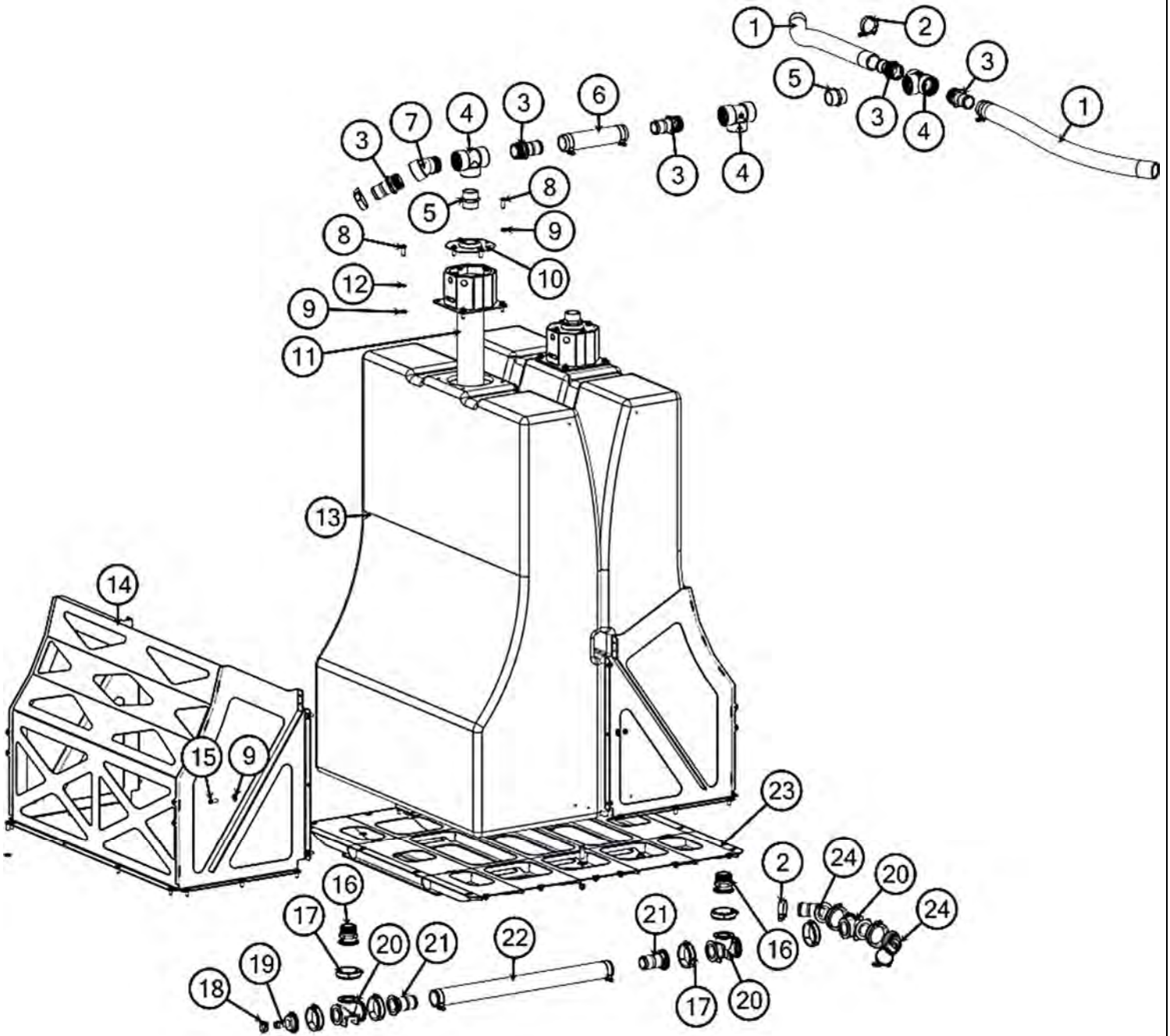
VXT8 FILTER FENDER ASSEMBLY



VXT8 FILTER FENDER ASSEMBLY

BOM ID	Qty	Name
1	1	8097572 WELDMENT, FILTER HOUSING FENDER
2	1	8097893 COUPLING, 2" BANJO MP X F
3	1	8097589 PLATE, VERTICAL TOOL HOLDER
4	4	U000420 SCREW, HC .375-16 X 1.00 ZP G5
5	16	U200060 WASHER FLAT .375 ZP
6	1	8097892 VALVE, 2"BALL BANJO FNPT
7	1	8044580 CLAMP HOSE T-BOLT 256
8	1	8090210 FITTING HOSE BARB STR. 2"
9	1	8098036 HOSE, WATER FILL
10	4	U001332 SCREW, HC 5/8-11 FULL THREADED
11	8	U200150 WASHER FLAT .625 ZP SAE HARD
12	4	U120025 NUT, LOCK, NY .625-11 ZP G8
13	1	8098202 PRESSURE TRANSDUCER, 1", HYDAC PROBE
14	1	8098186 REDUCER, 16MP - 4FJ
15	1	8044011 CLAMP HOSE T-BOLT 150
16	1	8097896 FITTING, HOSE BARB STR 1" BANJO
17	1	8098185 FITTING, BANJO TEE 1"
18	2	8090487 FITTING, BANJO NIPPLE 1" SHORT PIPE
19	1	8097895 VALVE, 1" FNPT FULL PORT
20	1	8097592 PLATE, AIR FILTER 1" VALVE BRACKET
21	1	8040186 STRAINER, Y 1" BANJO
22	2	8097897 FITTING, BANJO ELBOW 1" 90DEG STREET
23	1	T400450 REDUCER, 1"MP-3/4"MJ
24	1	8030525 FITTING, PUSHLOK #12
25	1	8098175 HOSE ASSY 12-108_ PUSH-ON.smgXml
26	1	8098169 AG HOSE, 16-42_, MIDDLE TANK TO STRAINER.smgXml

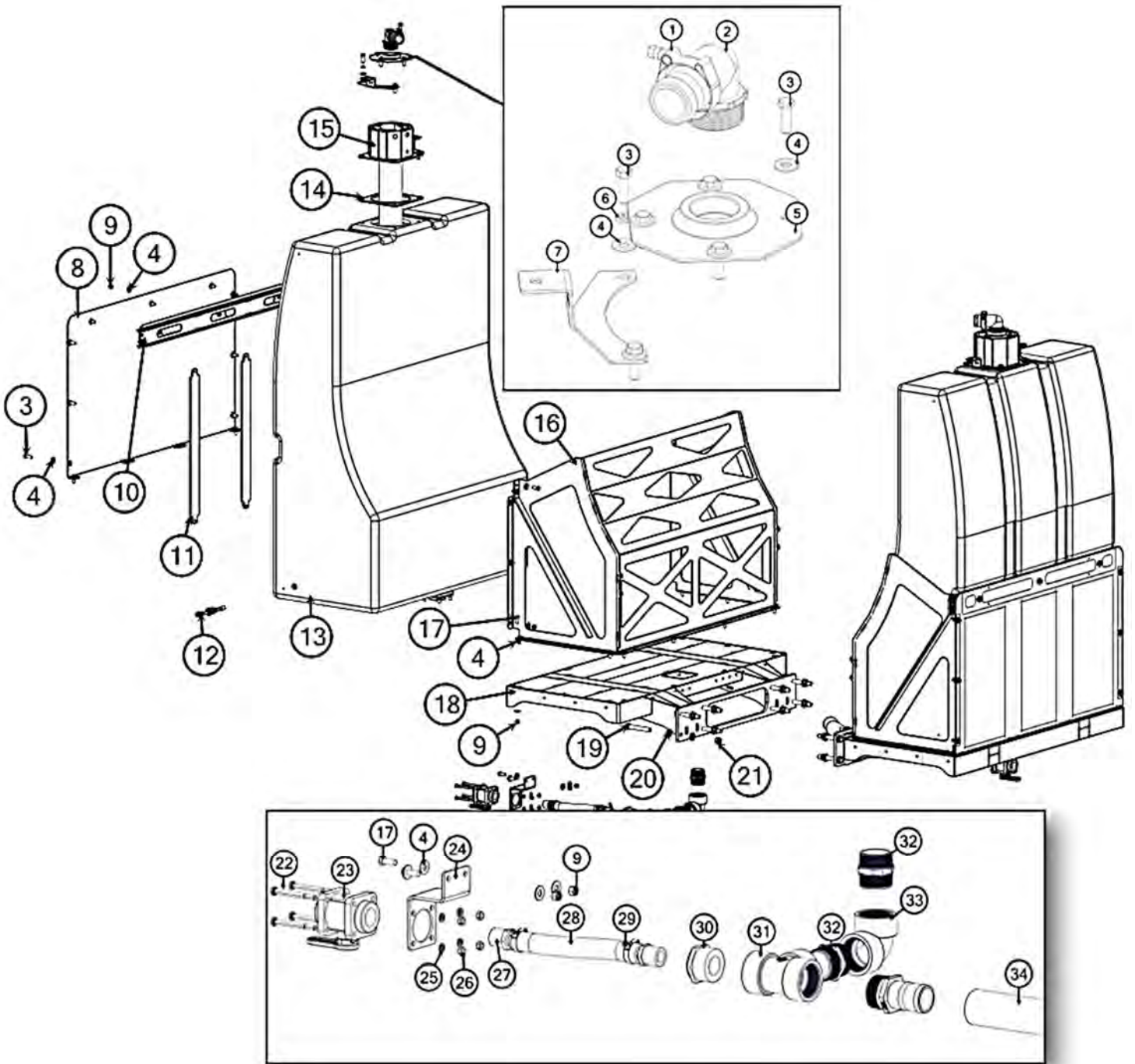
VXT8 MIDDLE TANKS ASSEMBLY



VXT8 MIDDLE TANKS ASSEMBLY

BOM ID	Qty	Name
1	2	8098037 HOSE, UPPER SADDLE TO MIDDLE TANKS
2	9	8044580 CLAMP HOSE T-BOLT 256
3	5	8090210 FITTING HOSE BARB STR. 2" BANJO
4	3	8090204 FITTING TEE 2", BANJO
5	3	8093019 FITTING NIPPLE PIPE 2" SHORT
6	1	8098034 HOSE, MIDDLE TANK UPPER
7	1	8090206 FITTING ELBOW 45 2", BANJO
8	16	U000440 SCREW, HC .375-16 X 1.25 ZP G5
9	68	U200060 WASHER FLAT .375 ZP
10	2	8097905 WELDMENT, WATER FILL CAP
11	2	8097899 WELDMENT, WATER FILL
12	8	U210060 WASHER LOCK .375 ZP
13	2	8096097 ASSEMBLY, WATER TANK 200 GAL
14	2	8097541 WELDMENT, TANK HOLD STRUCTURE
15	26	U000420 SCREW, HC .375-16 X 1.00 ZP G5
16	2	8098047 FITTING, BANJO UNION 2" MANIFOLD FLANGE X 2"MNPT
17	8	8031000 CLAMP, 2"BANJO WORM USES GSKT
18	1	8044011 CLAMP HOSE T-BOLT 150
19	1	8098050 FITTING, BANJO REDUCER 2" MANIFOLD X 1"HB
20	3	8098046 FITTING, BANJO TEE 2" MANIFOLD
21	2	8098048 FITTING, BANJO UNION 2" MANIFOLD FLANGE ST X 2" HB
22	1	8098035 HOSE, MIDDLE TANKS LOWER
23	1	8097499 WELDMENT, MIDDLE TANK PLATFORM
24	2	8098049 FITTING, BANJO UNION 2" MANIFOLD FLANGE 45 X 2"HB

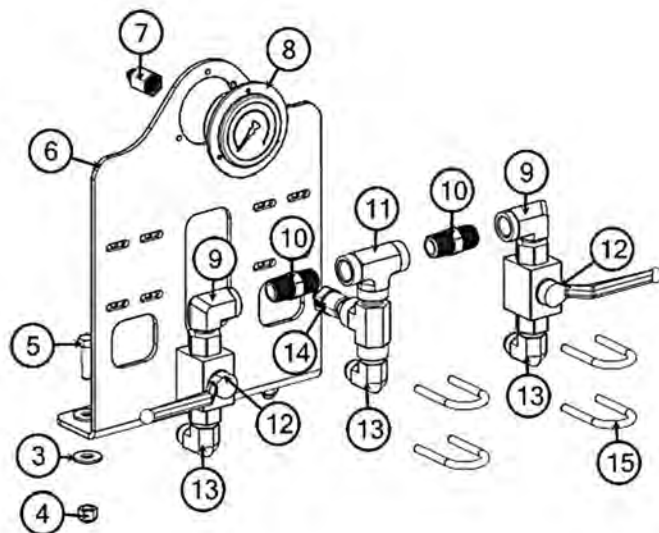
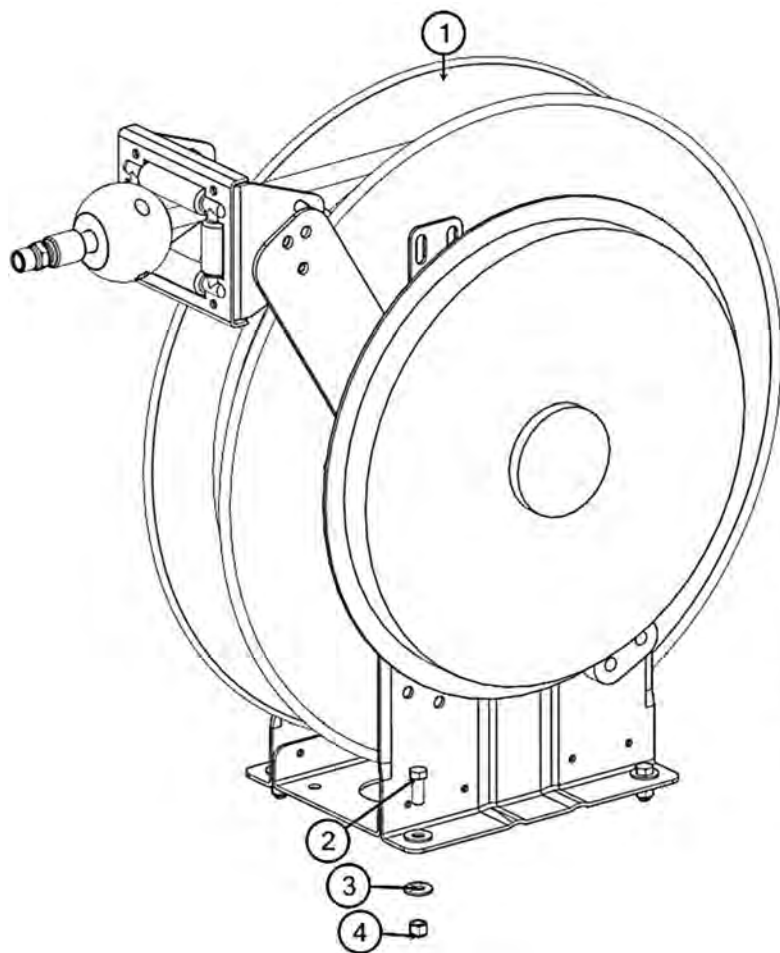
VXT8 SADDLE TANK ASSEMBLY



VXT8 SADDLE TANK ASSEMBLY

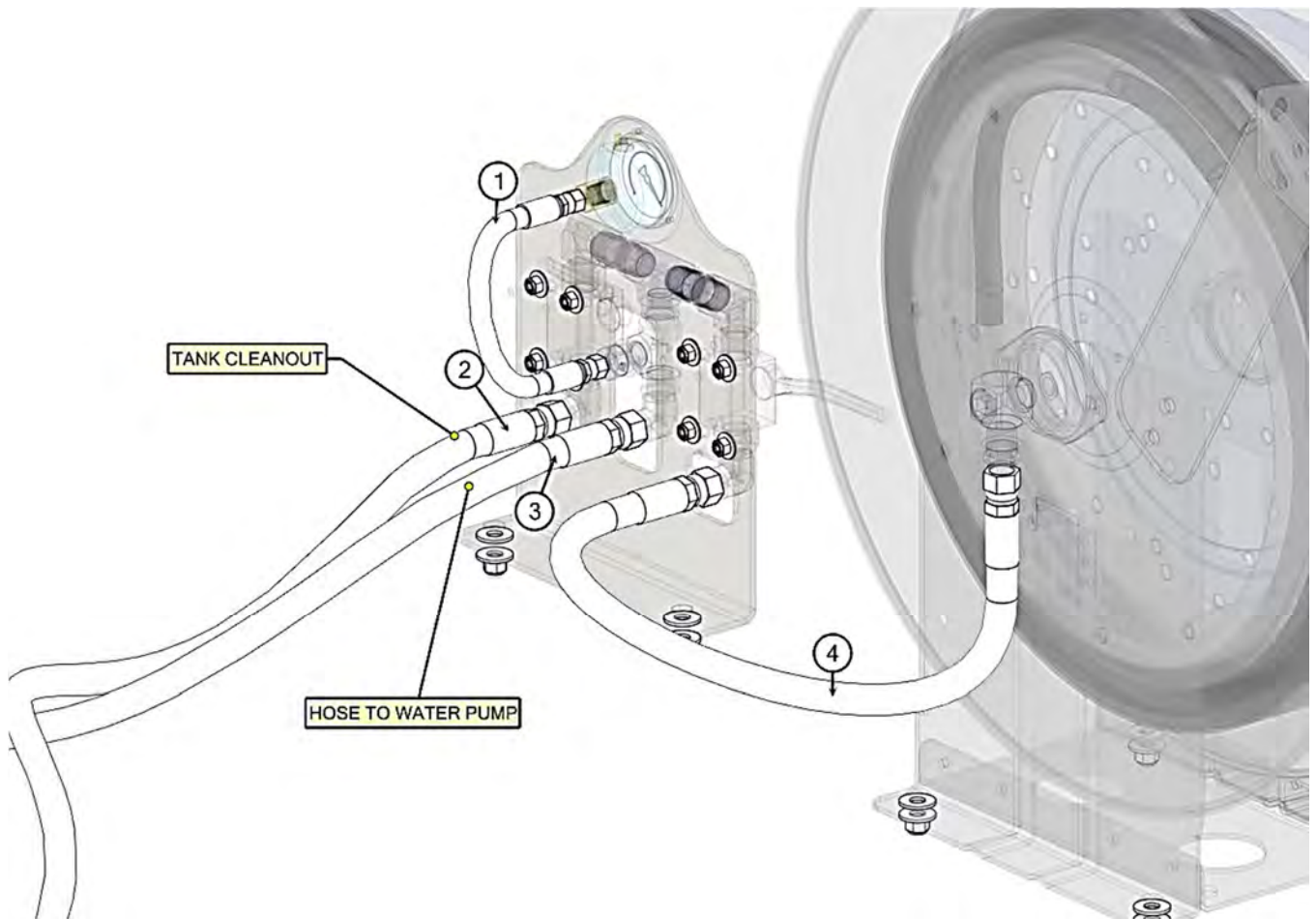
BOM ID	Qty	Name
1	4	8044580 CLAMP HOSE T-BOLT 256
2	2	8090209 FITTING HOSE BARB 90 2", BANJO
3	28	U000440 SCREW, HC .375-16 X 1.25 ZP G5
4	116	U200060 WASHER FLAT .375 ZP
5	2	8097905 WELDMENT, WATER FILL CAP
6	14	U210060 WASHER LOCK .375 ZP
7	4	8096364 PLATE, LIGHT FLOOD WATER TANK REAR
8	2	8098041 PLATE, BILLBOARD
9	48	U120110 NUT, LOCK .375-16 NY ZP
10	2	8097533 WELDMENT, TANK FRONT SUPPORT
11	4	8097537 PLATE, TANK FRONT SWELL SUPPORT
12	1	8090896 SWITCH, WATER LEVEL (HORIZ) W/DEUTSCH DT 2 CAV PLUG
13	1	8097941 TANK, WATER 200 GAL FLOAT
14	2	8094558 GASKET, SADDLE TANK CHECK VALVE
15	2	8097899 WELDMENT, WATER FILL
16	2	8097541 WELDMENT, TANK HOLD STRUCTURE
17	42	U000420 SCREW, HC .375-16 X 1.00 ZP G5
18	2	8097554 WELDMENT, SADDLE TANK PAD
19	16	U001332 SCREW, HC 5/8-11 FULL THREADED GR8 ZP
20	32	U200150 WASHER FLAT .625 ZP SAE HARD
21	16	U120025 NUT, LOCK, NY .625-11 ZP G8
22	8	U000305 SCREW, HC .312-18 X 3.50 ZP G5
23	2	8097895 VALVE, 1" FNPT FULL PORT
24	2	8097563 BRACKET, 1" VALVE
25	8	U210040 WASHER LOCK .312 ZP
26	8	U120106 NUT, LOCK .3125-18 G8
27	4	8097896 FITTING, HOSE BARB STR 1" BANJO
28	1	8098039 HOSE, TANK DRAIN
29	4	8044011 CLAMP HOSE T-BOLT 150
30	2	8090486 FITTING, BANJO REDUCER BUSHING
31	2	8090204 FITTING TEE 2", BANJO
32	4	8093019 FITTING NIPPLE PIPE 2" SHORT
33	2	8092856 FITTING, ELBOW 90 2" FP-FP
34	2	8098040 HOSE, LOWER SADDLE TO MIDDLE TANK

VXT8 WATER REEL & VALVE ASSEMBLY



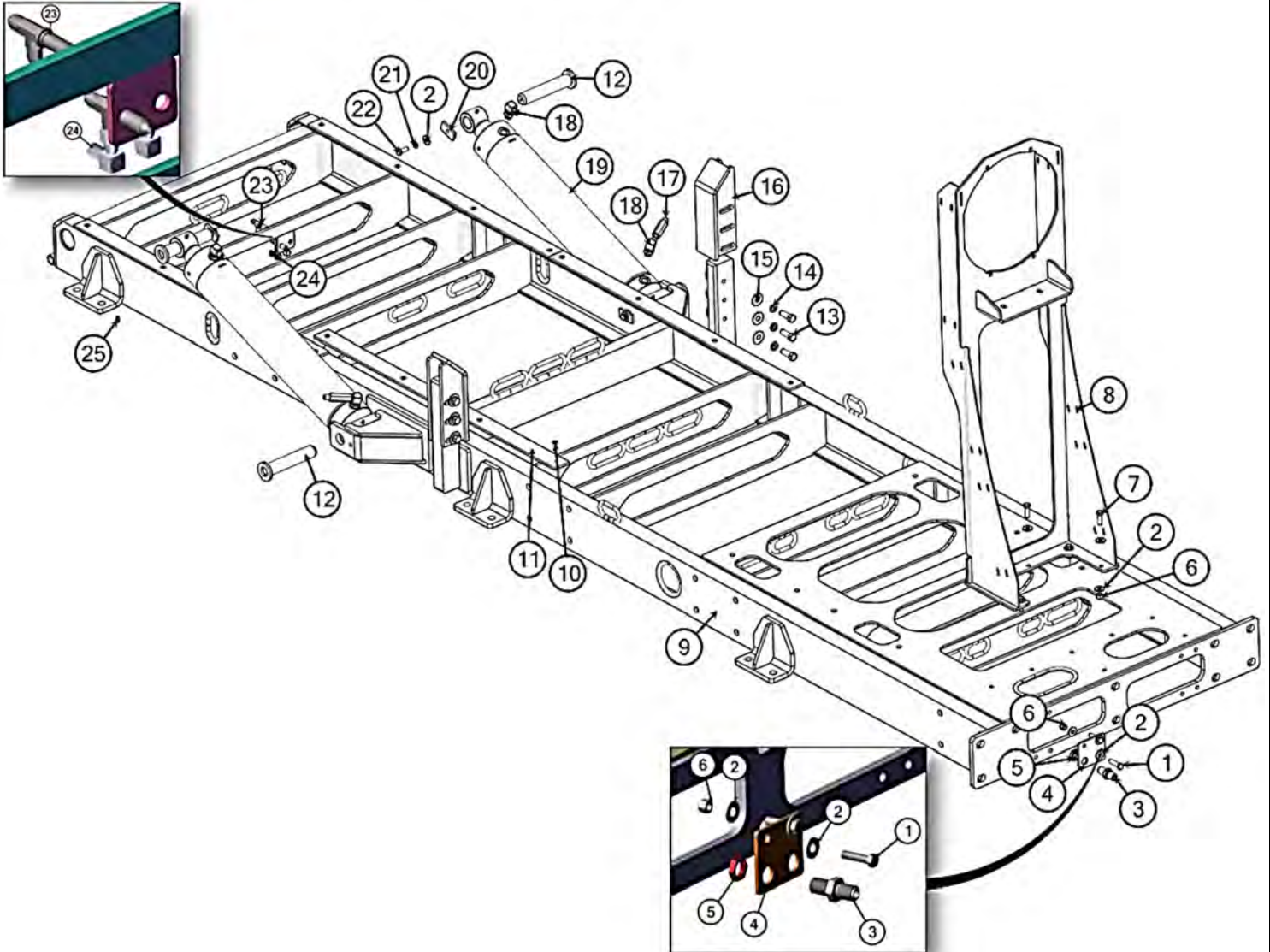
BOM ID	Qty	Name
1	1	8097875 ASSEMBLY, REEL WATER TR SPRING RETRACTABLE
2	4	U000420 SCREW, HC .375-16 X 1.00 ZP G5
3	9	U200060 WASHER FLAT .375 ZP
4	6	U120110 NUT, LOCK .375-16 NY ZP
5	2	U000440 SCREW, HC .375-16 X 1.25 ZP G5
6	1	8097729 PLATE, REAR WATER VALVE MOUNT
7	1	T400110 UNION, 1/4"FP-1/4"MJ
8	1	8030372 GAUGE, 5000 PSI 2.5"LF CBM
9	2	T401624 ELBOW, 90 1/2"MP-1/2"FP
10	2	T404020 UNION, 1/2"MP-1/2"MP
11	1	T402130 TEE, 1/2"FP-1/2"FP-1/2"FP STEEL
12	2	8031197 VALVE, BALL 1/2" 3000 PSI.MIN
13	3	T401140 ELBOW, 90 1/2"MP-1/2"MJ
14	1	T400440 REDUCER, 1/2"MP-1/4"MJ
15	4	U010017 U-BOLT, .250-2

VXT8 WATER REEL & VALVE HOSE ASSEMBLY



BOM ID	Qty	Name
1	1	8098151 HOSE ASSY 4-10" ST-ST
2	1	8098149 HOSE ASSY 8-160" ST-90
3	1	8098148 HOSE ASSY 8-152" ST-ST
4	1	8098150 HOSE ASSY 8-28" ST-ST

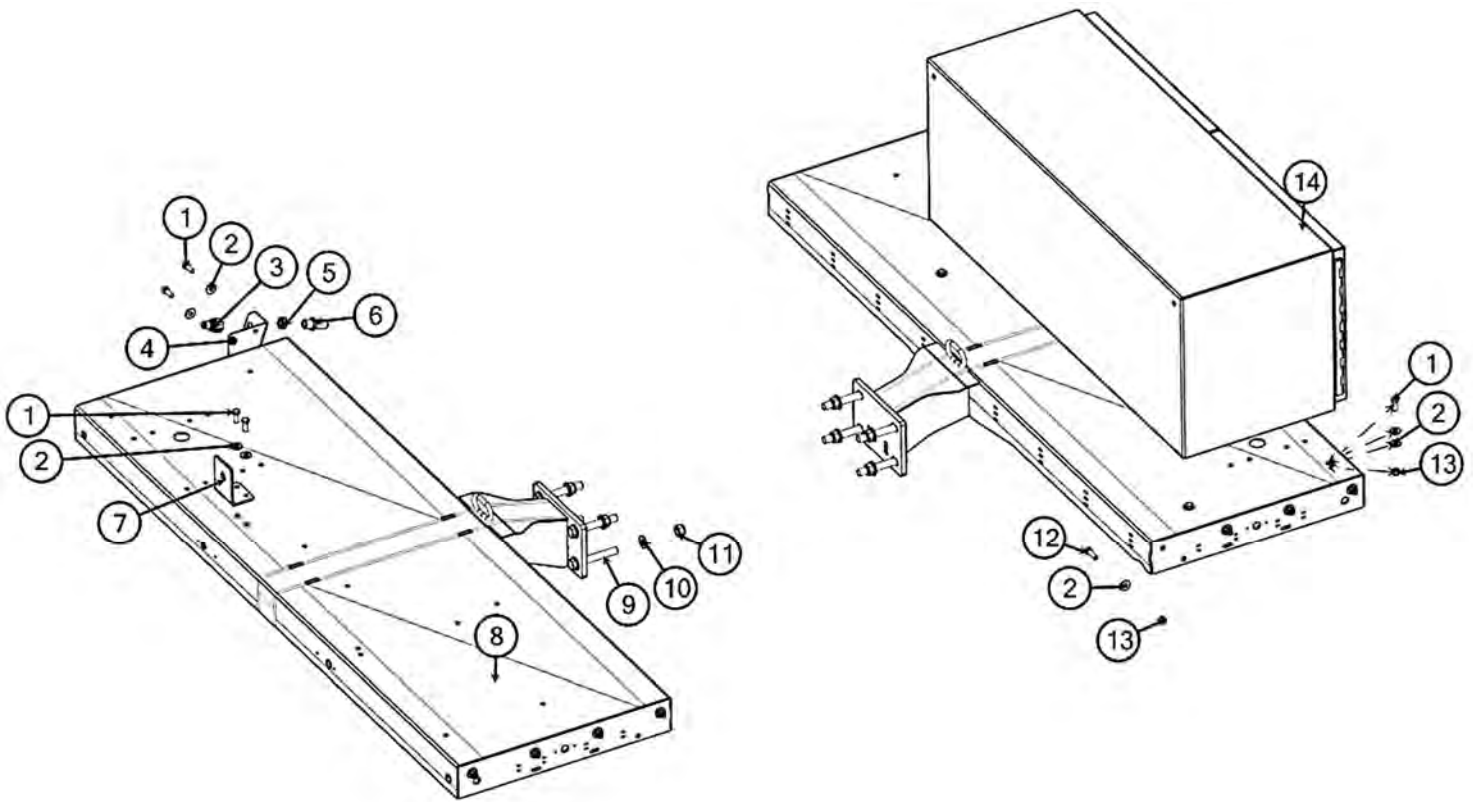
VXT8 SKID ASSEMBLY



VXT8 SKID ASSEMBLY

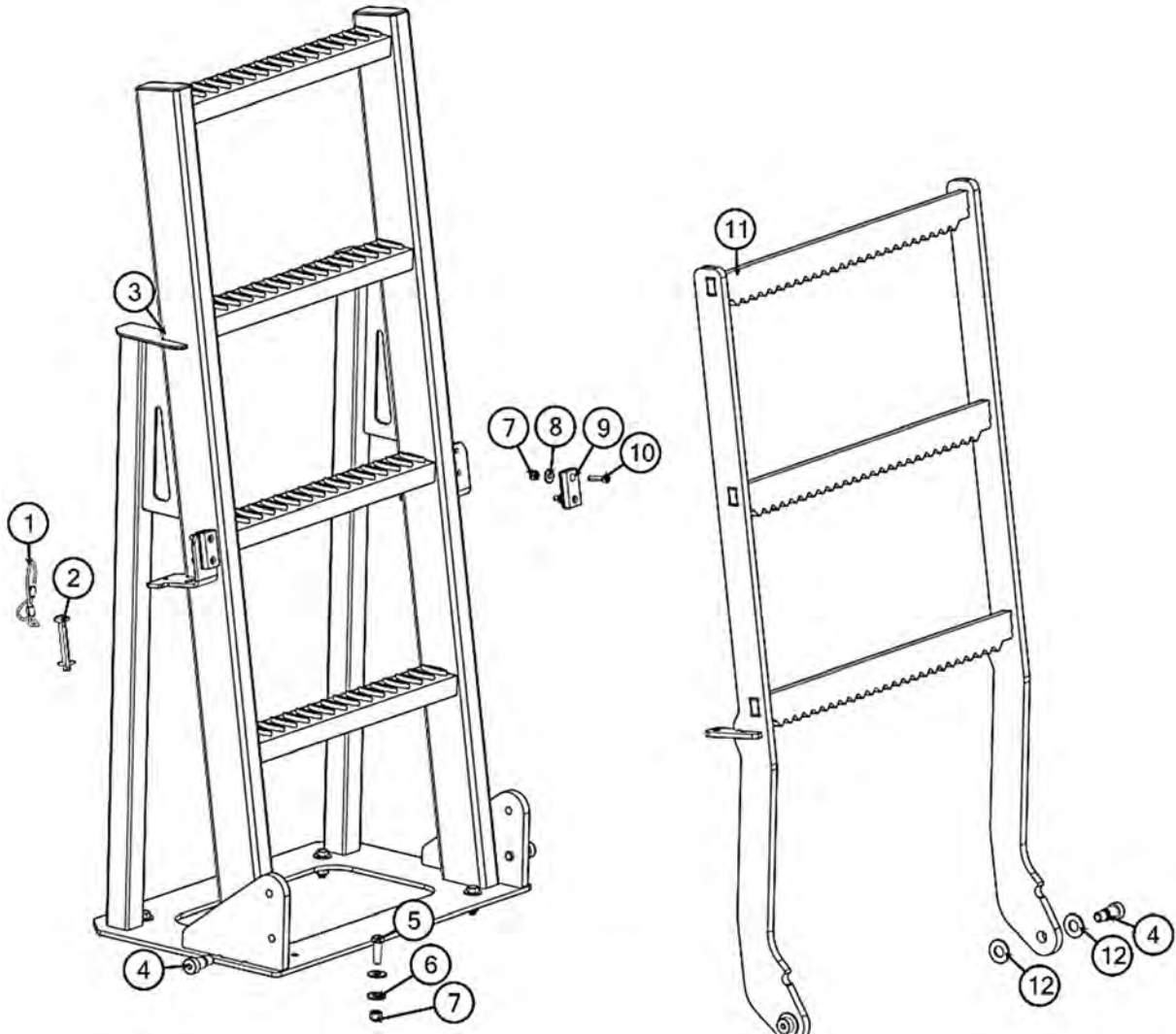
BOM ID	Qty	Name
1	2	U000460 SCREW, HC .375-16 X 1.50 ZP G5
2	18	U200060 WASHER FLAT .375 ZP
3	1	T400387 BULKHEAD 8MJ_8MJ
4	1	8097536 PLATE, WATER HOSE BULKHEAD
5	1	T400387-1 NUT, LOCK BULKHEAD, 1/2 MJ - 1/2 MJ
6	7	U120110 NUT, LOCK .375-16 NY ZP
7	5	U000440 SCREW, HC .375-16 X 1.25 ZP G5
8	1	8097528 WELDMENT, HYD COOLER MOUNT
9	1	8097971 WELDMENT, VXT8 SKID FINAL
10	16	U030017 SCREW, SFH .250-20 X 1.00 ZP
11	4	8093840 STRIP, PLASTIC SKID/TANK CONT.2
12	4	8094489 WELDMENT, TANK PIVOT PIN
13	12	U000840 SCREW, HC .500-13 X 1.50 ZP G5
14	12	U210100 WASHER LOCK .500 ZP
15	12	U200100 WASHER FLAT .500 ZP
16	2	8092998 WELDMENT, TANK GUIDE HEAVY
17	2	8048286 VALVE CHECK VELOCITY (6.0 GPM)
18	4	T401270 ELBOW, 90 1/2"MB-3/8"MJ
19	2	8044825 CYLINDER, HYD 4" X 20"
20	4	8091173 PIN RETENTION PLATE
21	4	U210060 WASHER LOCK .375 ZP
22	4	U000420 SCREW, HC .375-16 X 1.00 ZP G5
23	2	T400384 BULKHEAD, RUN TEE 1/4MJ X 1/4MJ X 1/4MJ
24	2	T401225 ELBOW 90 4FJ_4MJ
25	2	T500030 FITTING, GREASE.125 NPT STR

VXT8 REAR FENDER ASSEMBLY



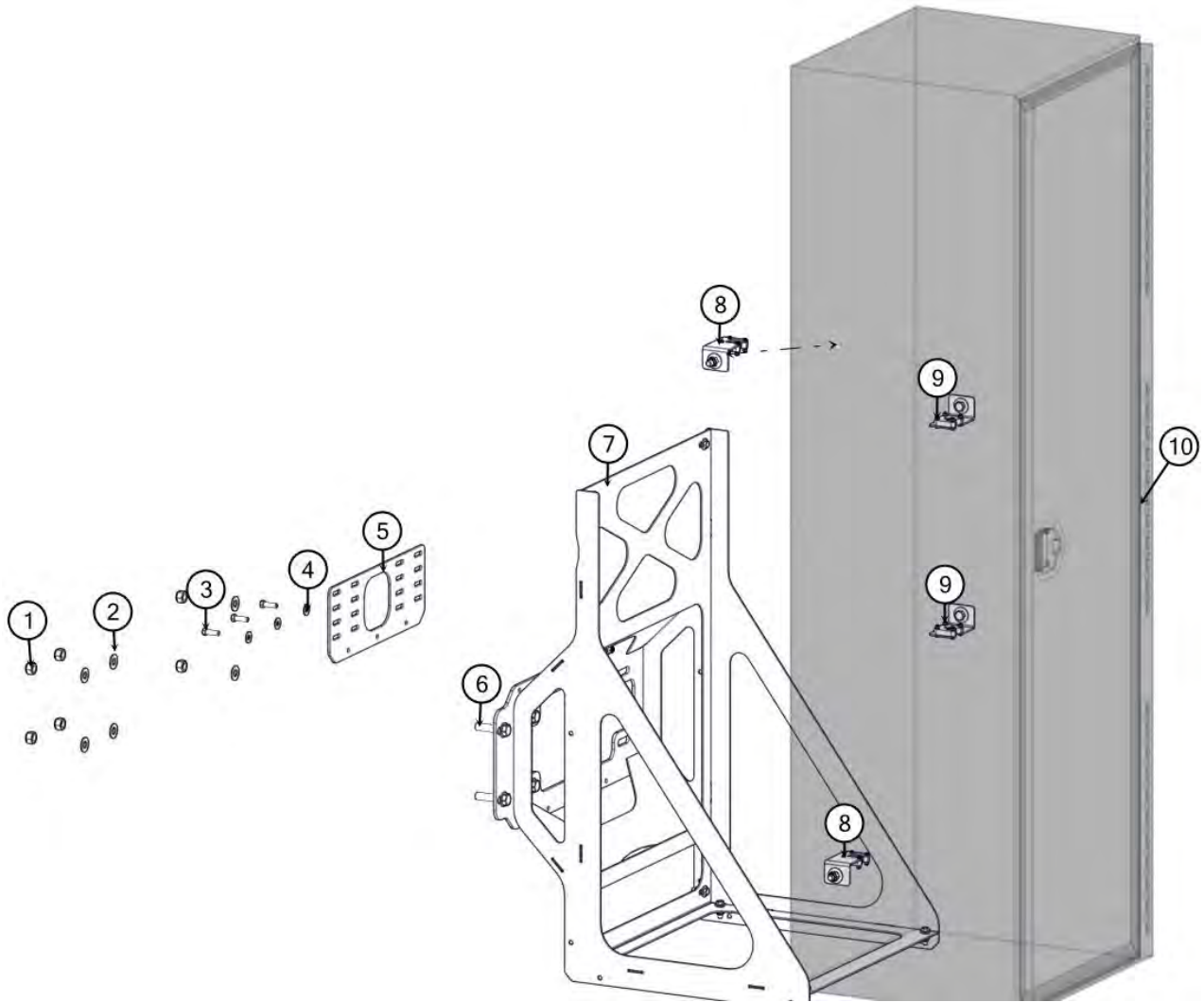
BOM ID	Qty	Name
1	8	U000420 SCREW, HC .375-16 X 1.00 ZP G5
2	32	U200060 WASHER FLAT .375 ZP
3	1	8096306 FITTING, QD WATER 1/2"M-1/2"FP
4	1	8097728 PLATE, REAR BULKHEAD
5	1	T400387 BULKHEAD, 1/2"MJ X 1/2"MJ
6	1	T400396 BULKHEAD, 1/2"MP-1/2"MJ
7	1	8097727 PLATE, E-STOP MOUNT
8	2	8097596 WELDMENT, REAR FENDER
9	8	U001332 SCREW, HC 5/8-11 FULL THREADED GR8 ZP
10	16	U200150 WASHER FLAT .625 ZP SAE HARD
11	8	U120025 NUT, LOCK, NY, .625-11 ZP G8
12	8	U000440 SCREW, HC .375-16 X 1.25 ZP G5
13	16	U120110 NUT, LOCK .375-16 NY ZP
14	1	8097779 TOOLBOX, 18"H X 48"W X 18"D

VXT8 FOLDING LADDER ASSEMBLY



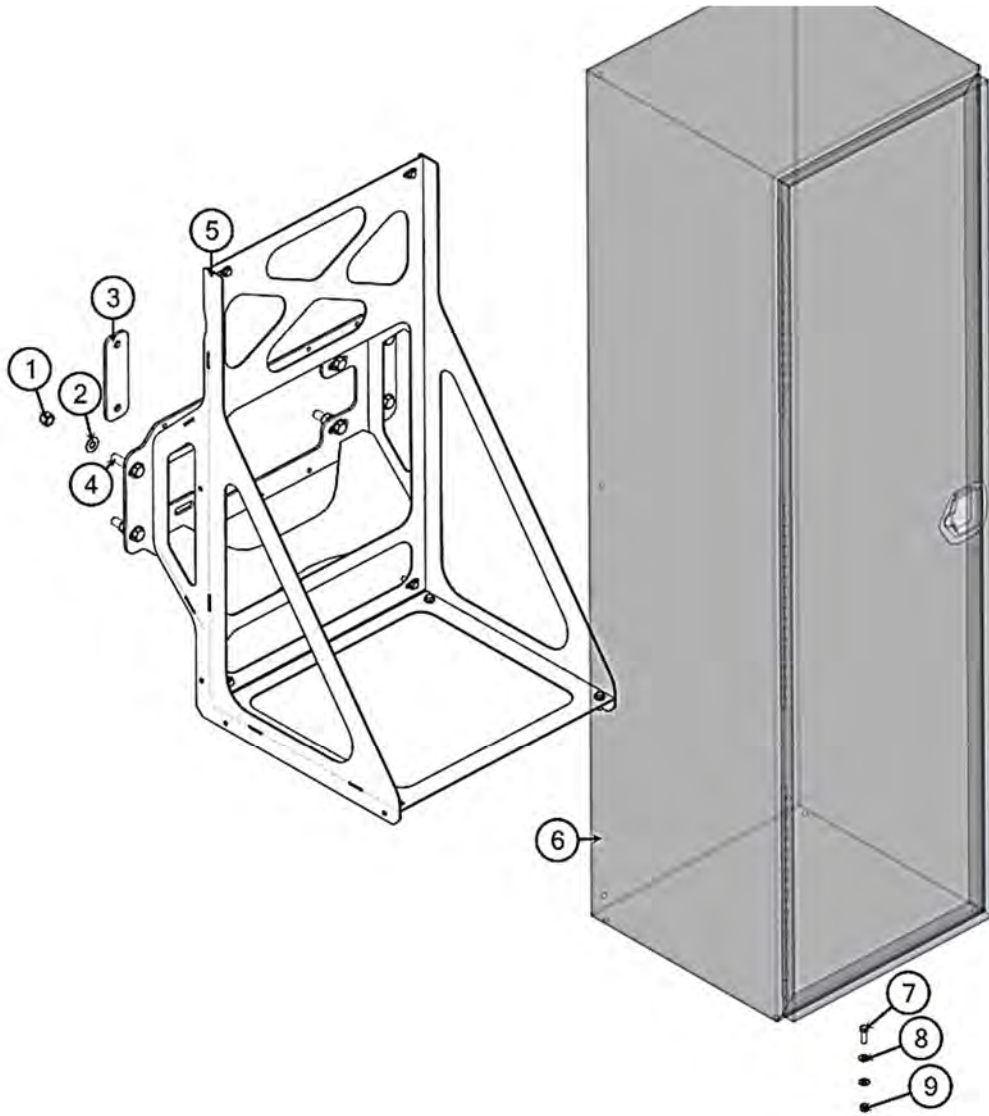
BOM ID	Qty	Name
1	1	8093703 CABLE, LANYARD 11"LG
2	1	8041213 SAFETY SNAP PIN
3	1	8097695 WELDMENT, LADDER BASE
4	4	U022152 SCREW, SHOULDER .625X.75 W 1/2-13
5	4	U000440 SCREW, HC .375-16 X 1.25 ZP G5
6	8	U200060 WASHER FLAT .375 ZP
7	8	U120100 NUT, LOCK .250-20 G2
8	4	U200020 WASHER FLAT .250 ZP
9	2	8097708 BUMP STOP RECTANGULAR
10	4	U010015 SCREW, HSH .250-20 X 1.00 ZP
11	1	8097704 WELDMENT, LADDER LOWER FOLD OUT
12	4	U200150 WASHER FLAT .625 ZP SAE HARD

VXT8 VERTICAL TOOLBOX ASSEMBLY (Right Side)

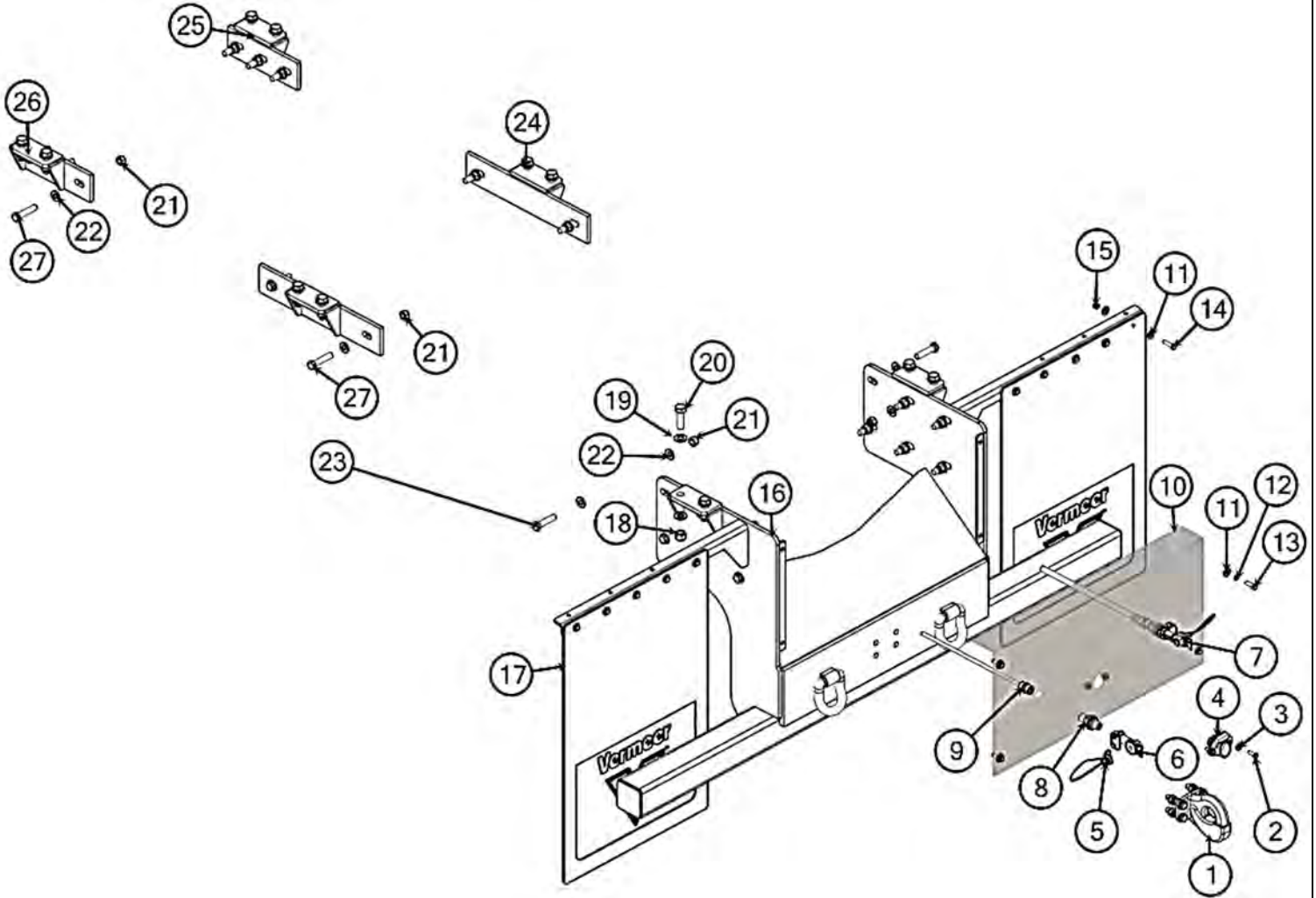


BOM ID	Qty	Name
1	6	U120025 NUT, LOCK, NY, .625-11 ZP G8
2	12	U200150 WASHER FLAT .625 ZP SAE HARD
3	11	U000440 SCREW, HC .375-16 X 1.25 ZP G5
4	22	U200060 WASHER FLAT .375 ZP
5	1	8097726 PLATE, MID ROUTING
6	6	U001240 SCREW, HC .625-11 X 2.75 ZP G5
7	1	8097721 WELDMENT, VERTICAL TOOLBOX MOUNT (RT SIDE)
8	2	8094609 ASSEMBLY, TOOL HOLDER LANCE
9	2	8094608 ASSEMBLY, TOOL HOLDER
10	1	8096319 TOOLBOX, VERTICAL 24"W X 84"H X 24"D

VXT8 VERTICAL TOOLBOX ASSEMBLY (Left Side)



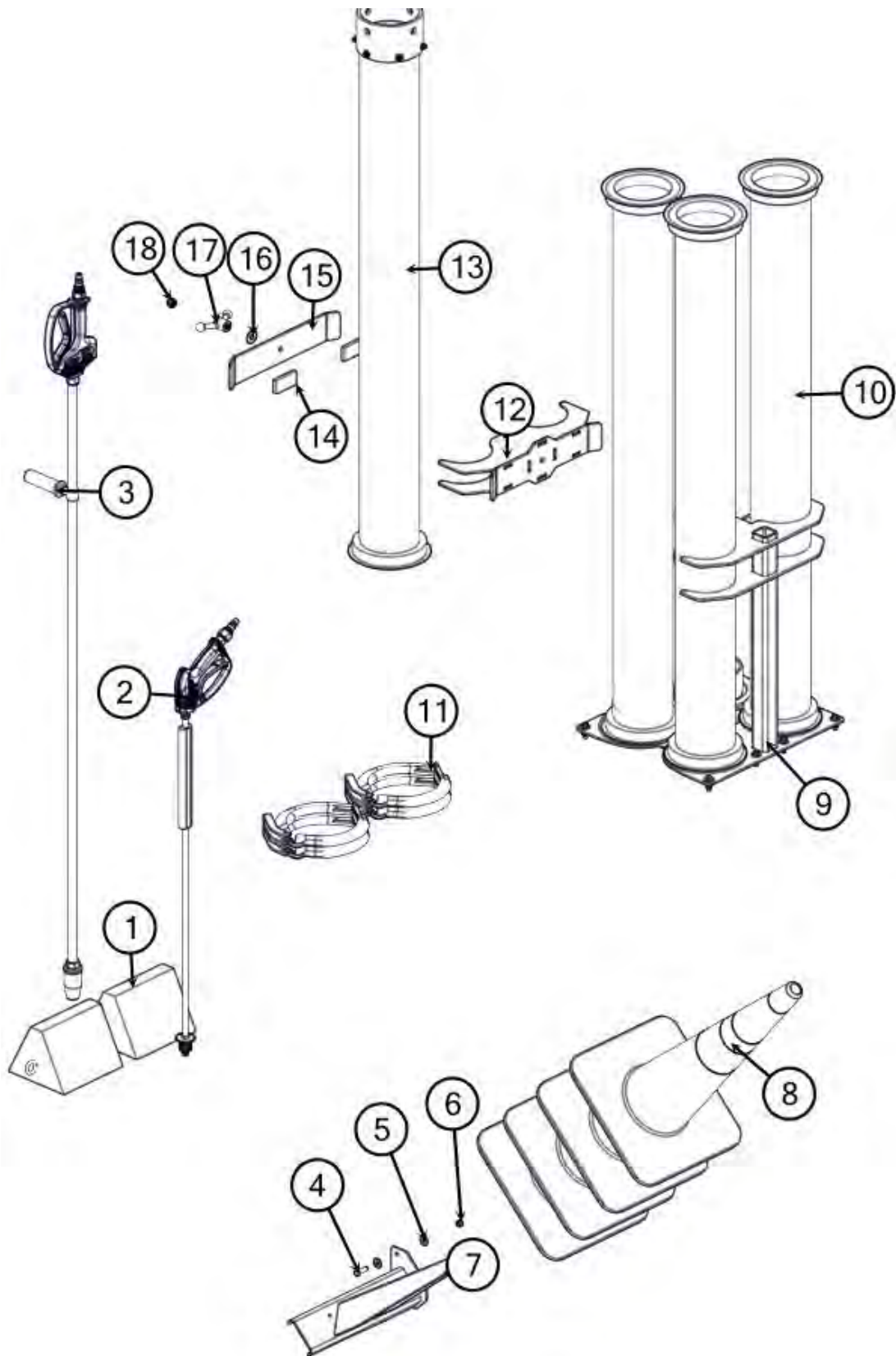
VXT8 HITCH & MOUNTS ASSEMBLY



VXT8 HITCH & MOUNTS ASSEMBLY

BOM ID	Qty	Name
1	1	8097401 PINTLE, 20 TON
2	2	U000200 SCREW, HC .312-18 X 1.00 ZP G5
3	4	U200040 WASHER FLAT .312 ZP
4	1	8097435 CONNECTOR, TRAILER 7 ROUND TERMINAL
5	2	8097487 GLADHAND PACIFIER
6	1	8097402 GLADHAND, EMERGENCY
7	1	8097403 GLADHAND, SERVICE
8	2	8097412 BULKHEAD, COUPLING 1/2"MNPT X 1/4"FNPT
9	2	T320306 FITTING, BRASS 1/2"FPT - 1/2"FPT
10	1	8097405 PLATE, COVER, REAR BUMPER
11	24	U200060 WASHER FLAT .375 ZP
12	4	U210060 WASHER LOCK .375 ZP
13	4	U000440 SCREW, HC .375-16 X 1.25 ZP G5
14	10	U000460 SCREW, HC .375-16 X 1.50 ZP G5
15	10	U110060 NUT, ST .375-16 ZP G2
16	1	8097387 WELDMENT, BUMPER 20 TON BOLT-ON
17	2	296506640 RUBBER MUD FLAPS
18	12	U120041 NUT, LOCK, NY, .750-10 ZP G8
19	24	U200165 WASHER FLAT .750 ZP SAE HARD
20	12	U001425 SCREW, HC .750-10 X 2.50 ZP G8
21	22	U120025 NUT, LOCK, NY, .625-11 ZP G8
22	44	U200150 WASHER FLAT .625 ZP SAE HARD
23	12	U001241 SCREW, HC .625-11 X 2.75 ZP G8
24	2	8096589 WELDMENT, TRUCK MOUNT MIDDLE VXT8
25	1	8096590 WELDMENT, TRUCK MOUNT FRONT VXT8
26	1	8096596 WELDMENT, TRUCK MOUNT VXT FRONT DRIVER SIDE
27	10	U001255 SCREW, HC .625-11 X 3.00 YZP GR8

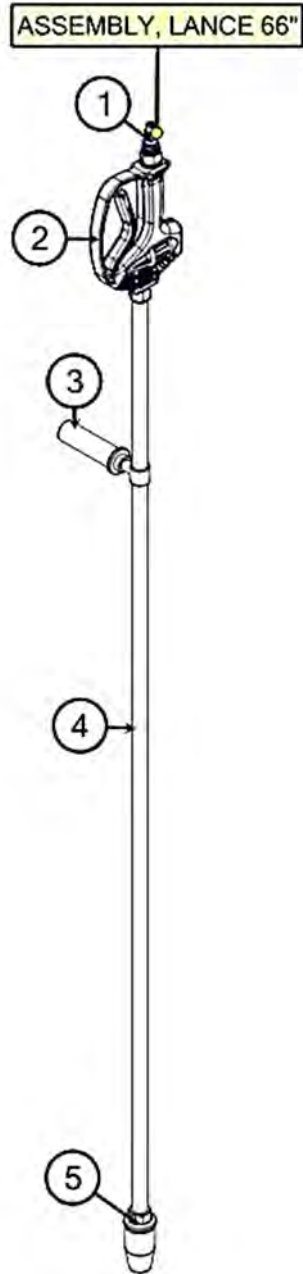
VXT8 TOOLS ASSEMBLY



VXT8 TOOLS ASSEMBLY

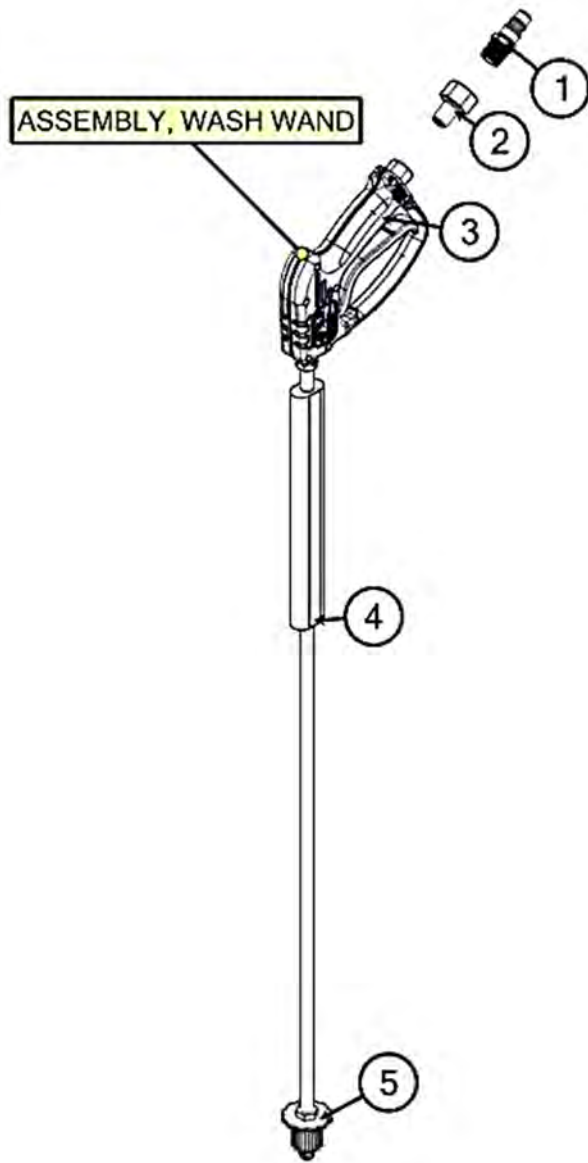
BOM ID	Qty	Name
1	2	8091779 WHEEL CHOCK
2	1	8094780 ASSEMBLY, WASH WAND
3	1	8097008 ASSEMBLY, LANCE 66"
4	10	U000440 SCREW, HC .375-16 X 1.25 ZP G5
5	20	U200060 WASHER FLAT .375 ZP
6	10	U120110 NUT, LOCK .375-16 NY ZP
7	1	8097774 WELDMENT, CONE HOLDER VXT8
8	4	8096324 CONE, TRAFFIC 28"
9	1	8097584 WELDMENT, VERTICAL TOOL HOLDER
10	3	8092942 TUBE, 6" ALUMINUM 60"LG FLANGE BY FLANGE
11	4	8092944 CLAMP, QUICK 6"
12	1	8097618 WELDMENT, DIG TUBE STORAGE RETAINER
13	1	8093709 ASSEMBLY, TOOL SUCTION 6"
14	4	8098059 RUBBER, DIG TUBE PROTECTOR
15	1	8098072 PLATE, DIG STORAGE TUBE RETAINER
16	1	U200100 WASHER FLAT .500 ZP
17	1	8041594 HANDLE, WING REV FLOW CYC/FILTE
18	1	U160018 NUT, LOCK .500-13 NY ZP

VXT8 LANCE ASSEMBLY



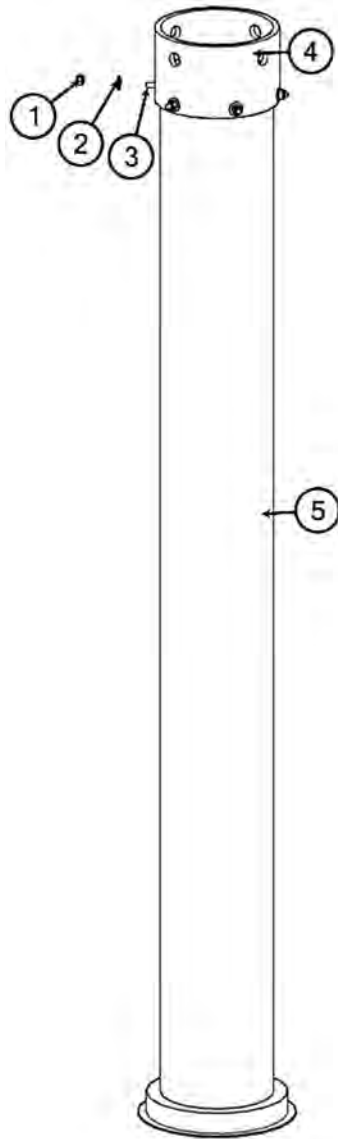
BOM ID	Qty	Name
1	1	8093823 FITTING, QD WATER 1/2"M-1/2"MP
2	1	8093263 GUN, LANCE
3	1	8093262 HANDLE, LANCE
4	1	8097007 PIPE, LANCE 1/2" 66"LG
5	1	8093109 NOZZLE, TURBO 1/2"FPT

VXT8 WASH WAND ASSEMBLY



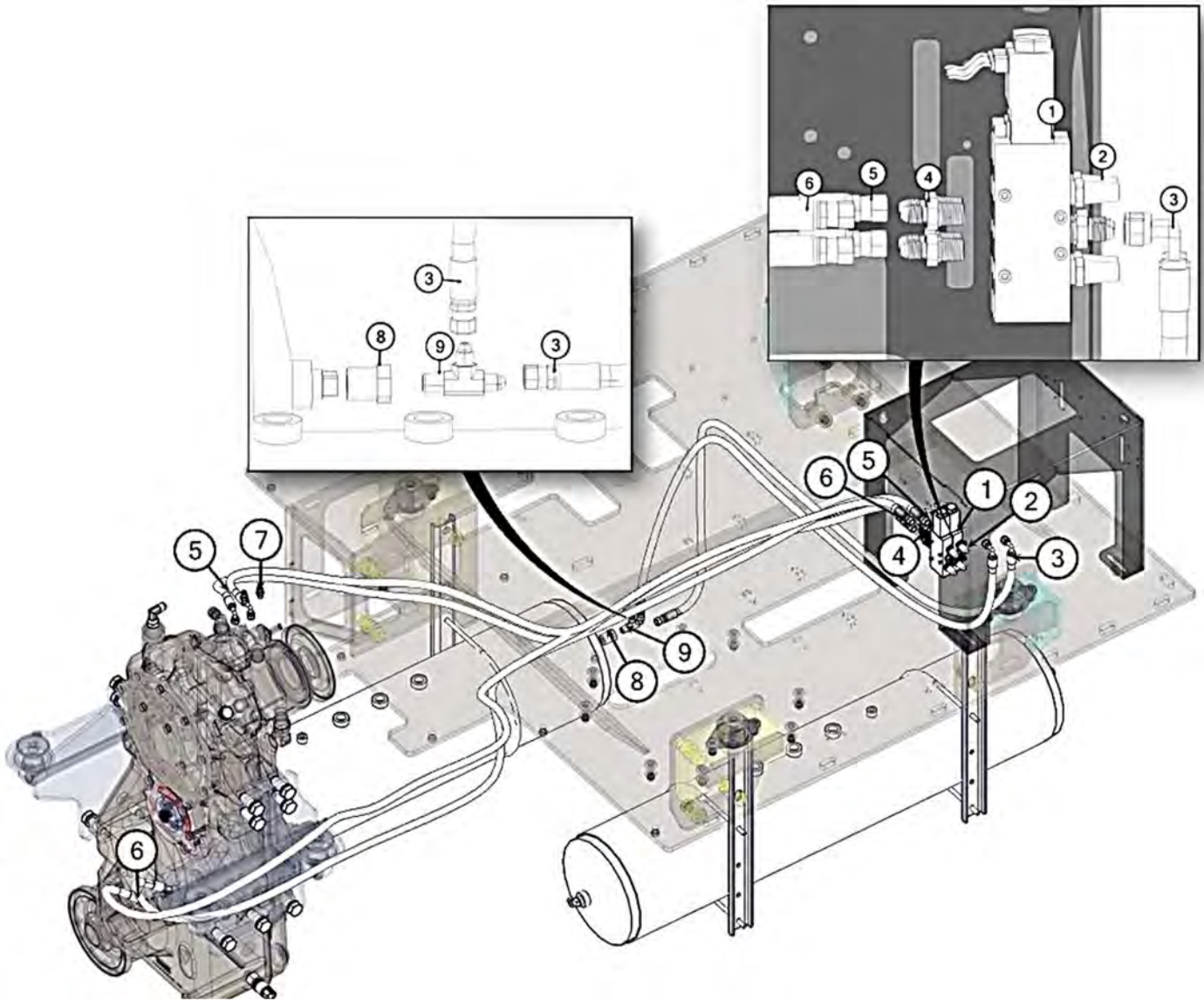
BOM ID	Qty	Name
1	1	8093823 FITTING, QD WATER 1/2"M-1/2"MP
2	1	T400045 REDUCER, 6MP-8FP
3	1	8030928 GUN, ONLY FOR TOOLS & WAND
4	1	8030847 WAND ONLY
5	1	8030857 NOZZLE, ADJUSTALE FOR WAND

VXT8 SUCTION TOOL ASSEMBLY



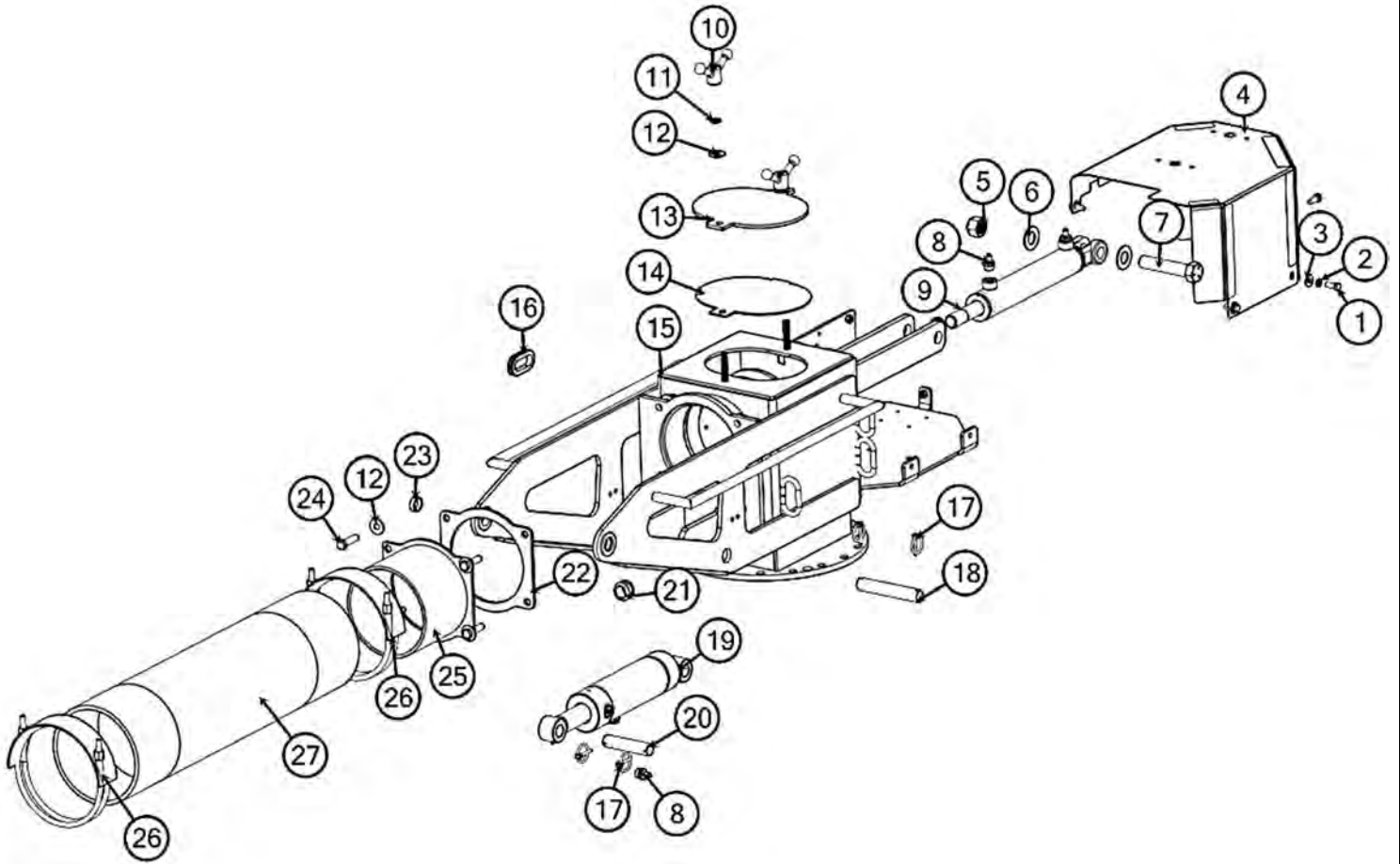
BOM ID	Qty	Name
1	6	U120000 NUT, LOCK, NY, .250-20 ZP G2
2	12	U200020 WASHER FLAT .250 ZP
3	6	U000060 SCREW, HC .250-20 X 1.00 ZP G5
4	1	8093711 TUBE, SUCTION TOOL END
5	1	8093710 BOOM EXTENSION 6" FLANGED MODIFIED

VXT8 AIR SYSTEM ASSEMBLY



BOM ID	Qty	Name
1	2	8046883 VALVE, SOLENOID. AIR 3-WAY
2	4	8098085 MUFFLER
3	2	8098145 HOSE ASSY 4-70" ST-90
4	6	T400020 UNION, 1/4"MP-1/4"MJ
5	2	8098183 HOSE ASSY 4-71" ST-90
6	2	8098182 HOSE ASSY 4-96" ST-90
7	4	8094130-05 FITTING, 04MJ-02MBSPP STRAIGHT
8	1	T400050 REDUCER, 1/2MP - 1/4FP
9	1	T402090 TEE, 1/4"MJ - 1/4"MP - 1/4"MJ

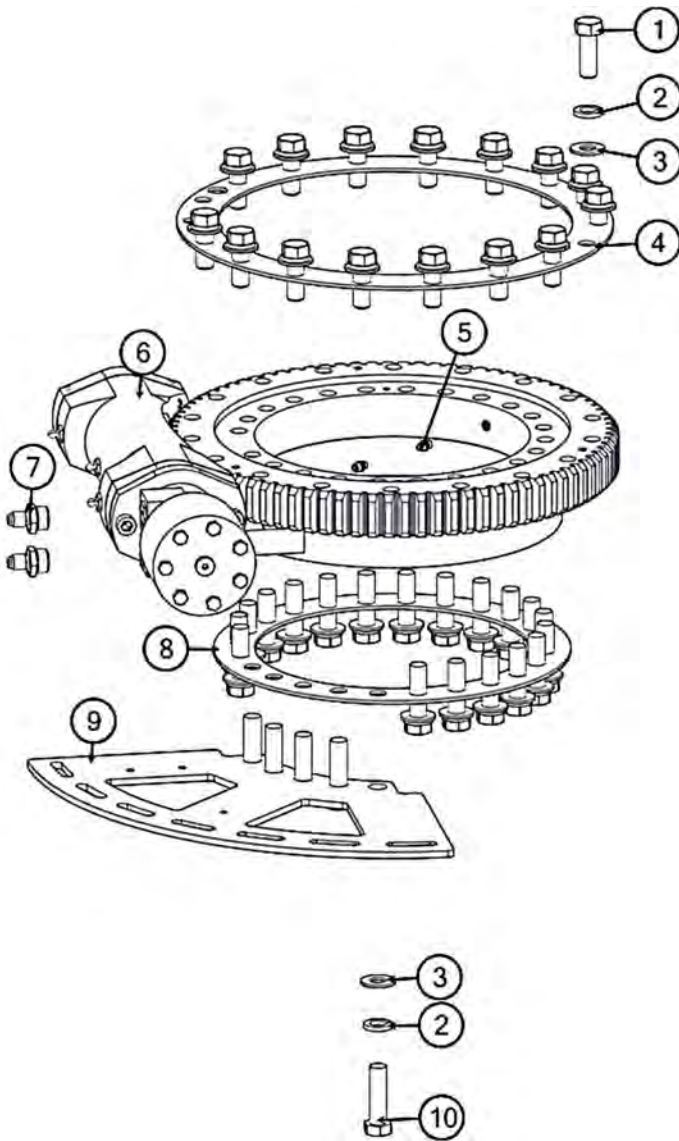
VXT8 BOOM BASE ASSEMBLY



VXT8 BOOM BASE ASSEMBLY

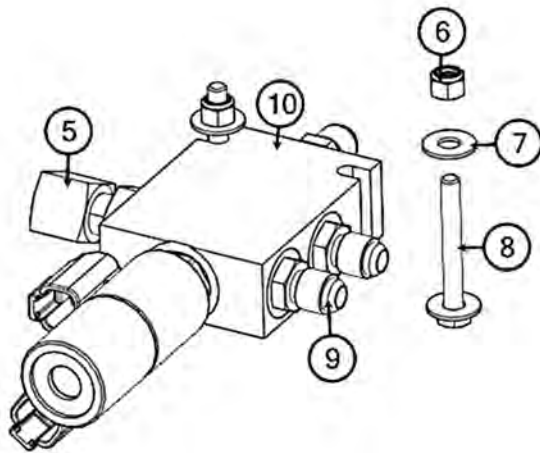
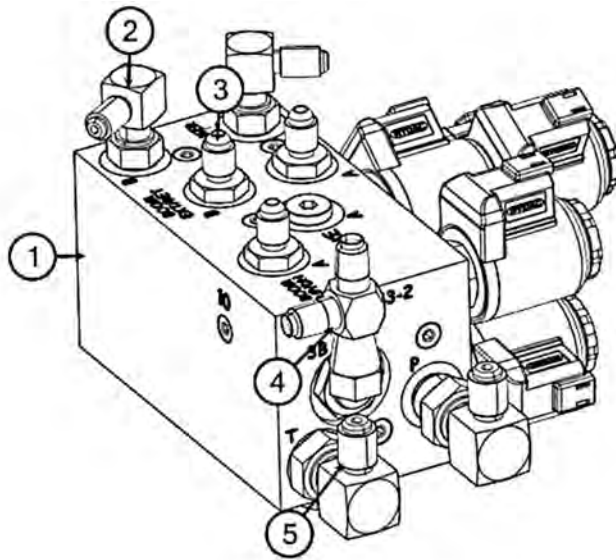
BOM ID	Qty	Name
1	5	U000420 SCREW, HC .375-16 X 1.00 ZP G5
2	11	U210060 WASHER LOCK .375 ZP
3	11	U200060 WASHER FLAT .375 ZP
4	1	8093324 WELDMENT, BOOM COVER
5	1	U120060 NUT, LOCK 1.00-8 NY ZP G2
6	2	U200170 WASHER FLAT 1.000
7	1	U001570 SCREW, HC 1-8 X 5.00 ZP
8	4	T400611 REDUCER, 1/2"MB-1/4"MJ
9	1	8095770 CYLINDER, 2" X 10" 1 1/8" ROD
10	2	8041594 HANDLE, WING
11	2	U210100 WASHER LOCK .500 ZP
12	10	U200100 WASHER FLAT .500 ZP
13	1	8095789 PLATE, BOOM 8" TURRET CLEANOUT COVER
14	1	8095788 GASKET, BOOM, 8" TURRENT CLEANOUT
15	1	8095752 WELDMENT, BOOM 8" TURRET
16	1	8042812 GROMMET 2"ID X 3.0"OD X 1/4WOG
17	4	U340050 PIN LINCH 3/16X 1-9/16 ZP
18	1	8041977 BOOM PIVOT CYL BASE PIN
19	1	8046597 CYLINDER, HYD BOOM 3 X 6
20	1	8041990 BOOM PIVOT CYL ROD PIN
21	4	8041686 GROMMET, 1"ID 1 1/2"OD-1/2"WOG - 1 1/4"DOG
22	1	8095790 GASKET, BOOM 8" HOSE ADAPTER
23	2	8094000 BUSHING, BRONZE 1.25 X 1.0 X .375
24	4	U000880 SCREW, HC .500-13 X 2.00 ZP G5
25	1	8095767 WELDMENT, BOOM 8" HOSE ADAPTER
26	2	8097005-01 CLAMP, 8" HOSE MAT.HANDLING
27	1	8097005-032.50 HOSE, 8" X 32.50"LG

VXT8 BOOM SLEW DRIVE ASSEMBLY



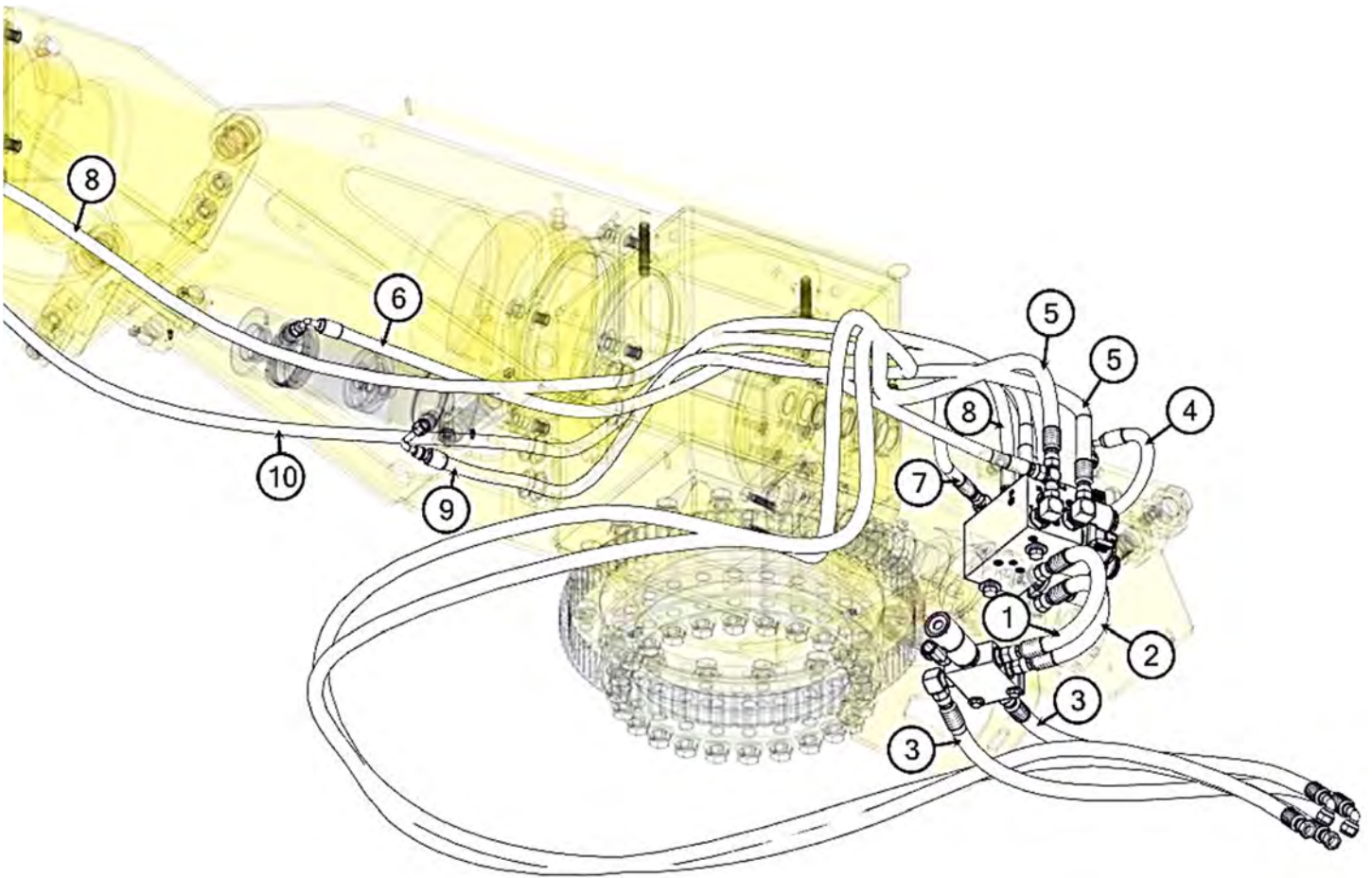
BOM ID	Qty	Name
1	16	U001195 SCREW, HC .625-11 X 1.75 ZP G5
2	40	U210140 WASHER LOCK .625 ZP
3	40	U200150 WASHER FLAT .625 ZP SAE HARD
4	1	8043780 GASKET BOOMBRG TOP BIG 16.5"
5	2	T500020 FITTING, GREASE.125 STRAIGHT
6	1	8042231 BEARING BOOM HYD ROT ASSY
7	2	T400035 REDUCER, 5/8"MB-3/8"MJ
8	1	8043781 GASKET BOOMBRG BOT SMALL 13.5"
9	1	8042351 BOOM ROTATION STOP BASE PLATE
10	24	U001210 SCREW, HC .625-11 X 2.25 ZP G5

VXT8 BOOM HYDRAULIC MANIFOLD ASSEMBLY

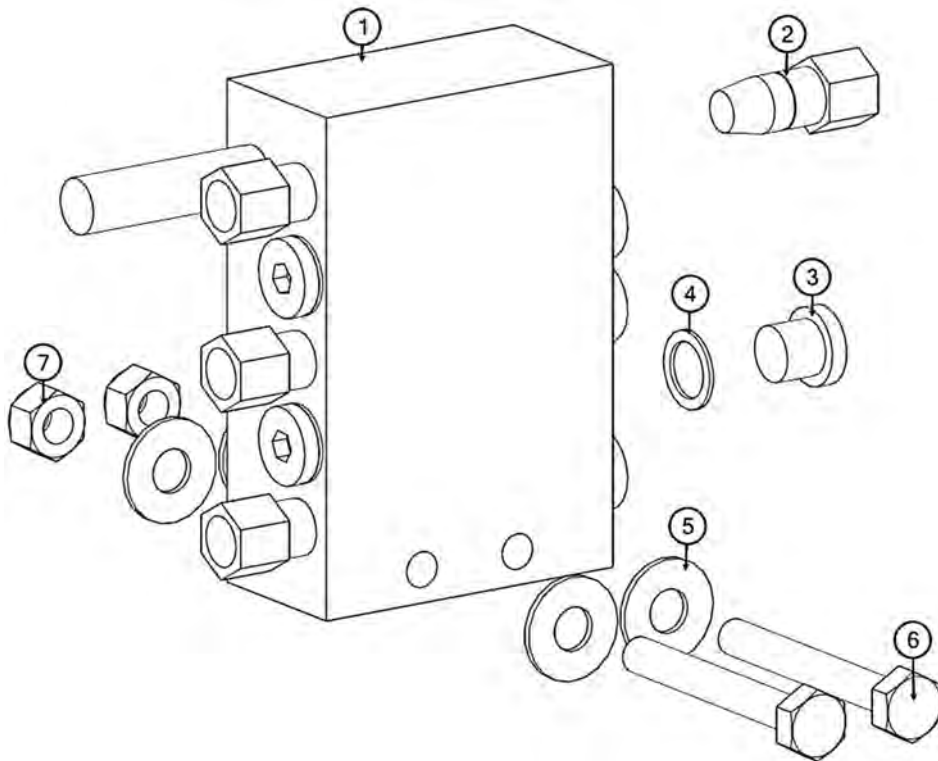


BOM ID	Qty	Name
1	1	8094056 MANIFOLD, BOOM UPPER ASSEMBLY
2	2	T401240 ELBOW, 90 3/8"MB(ADJ)-1/4"MJ
3	3	T400550 REDUCER, 3/8"MB-1/4"MJ
4	1	T402153 TEE, 3/8"FJ-3/8"MJ-3/8"MJ
5	3	T401250 ELBOW, 90 3/8"MB-3/8"MJ
6	2	U120000 NUT, LOCK, NY, .250-20 ZP G2
7	4	U200020 WASHER FLAT .250 ZP
8	2	U000120 SCREW, HC .250-20 X 2.00 ZP G5
9	3	T400037 UNION, 3/8"MB-3/8"MJ
10	1	8094016 MANIFOLD, HYD BOOM 6" ASSEMBLY (CAN CONTOLS)

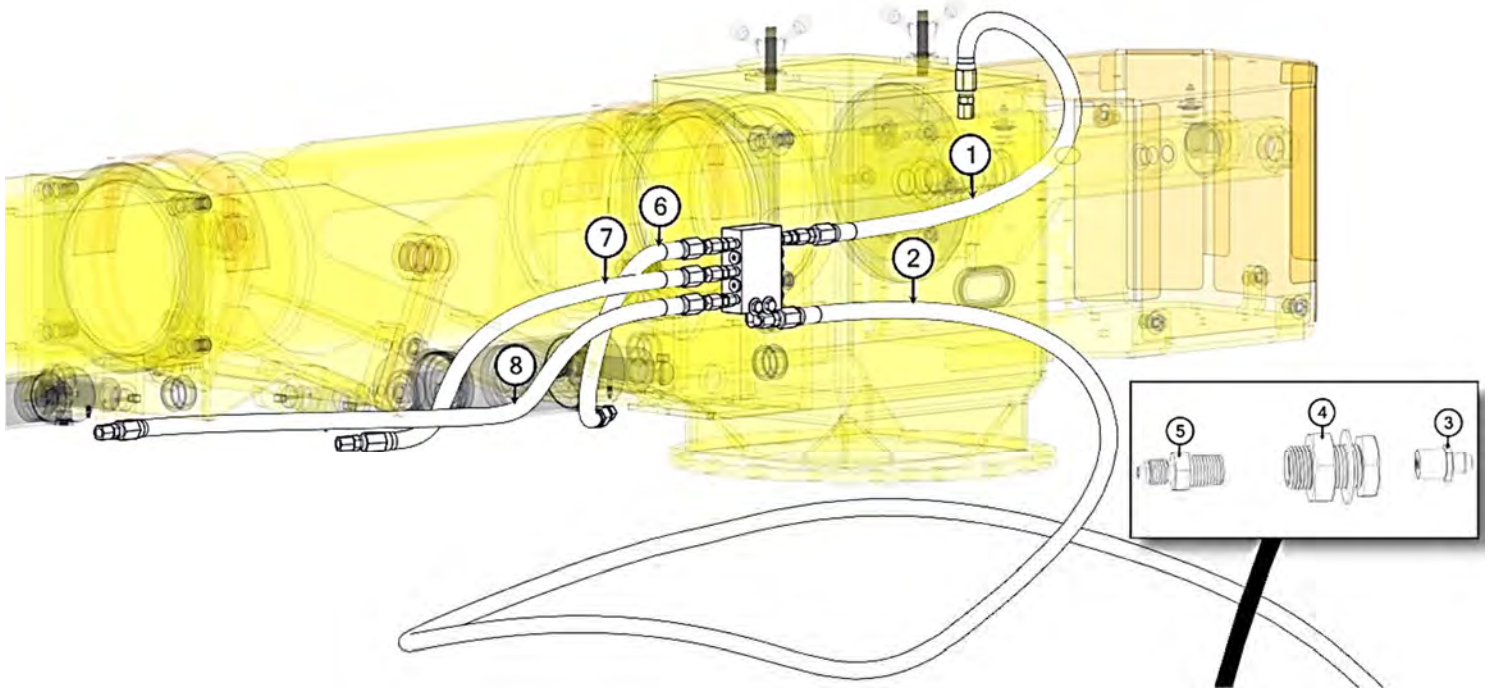
VXT8 BOOM MANIFOLD HOSE ASSEMBLY



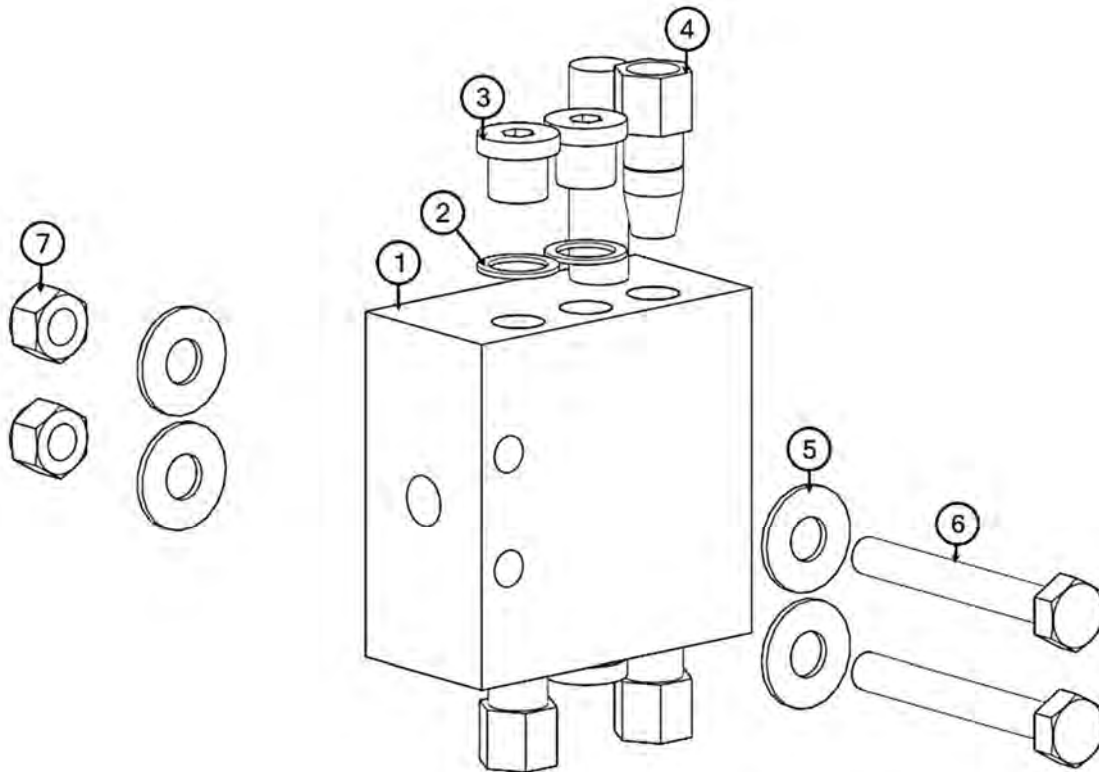
BOM ID	Qty	Name
1	1	8044147 HOSE ASSY VAC 6-10 ST-ST
2	1	8091091 HOSE ASSY VAC 6 - 9" ST-ST
3	2	8046898 HOSE ASSY VAC 6-27 ST-90
4	1	8047948 HOSE ASSY VAC 4-9 ST-90
5	2	8044133 HOSE ASSY VAC 6-120 ST-ST
6	1	8047714 HOSE ASSY VAC 4-38 ST-90
7	1	8047949 HOSE ASSY VAC 4-11 ST-90
8	1	8097309 HOSE ASSY VAC 4-125" ST-90L
9	1	8097307 HOSE ASSY VAC 4-45" ST-90L
10	1	8097308 HOSE ASSY VAC 4-80" ST-90L



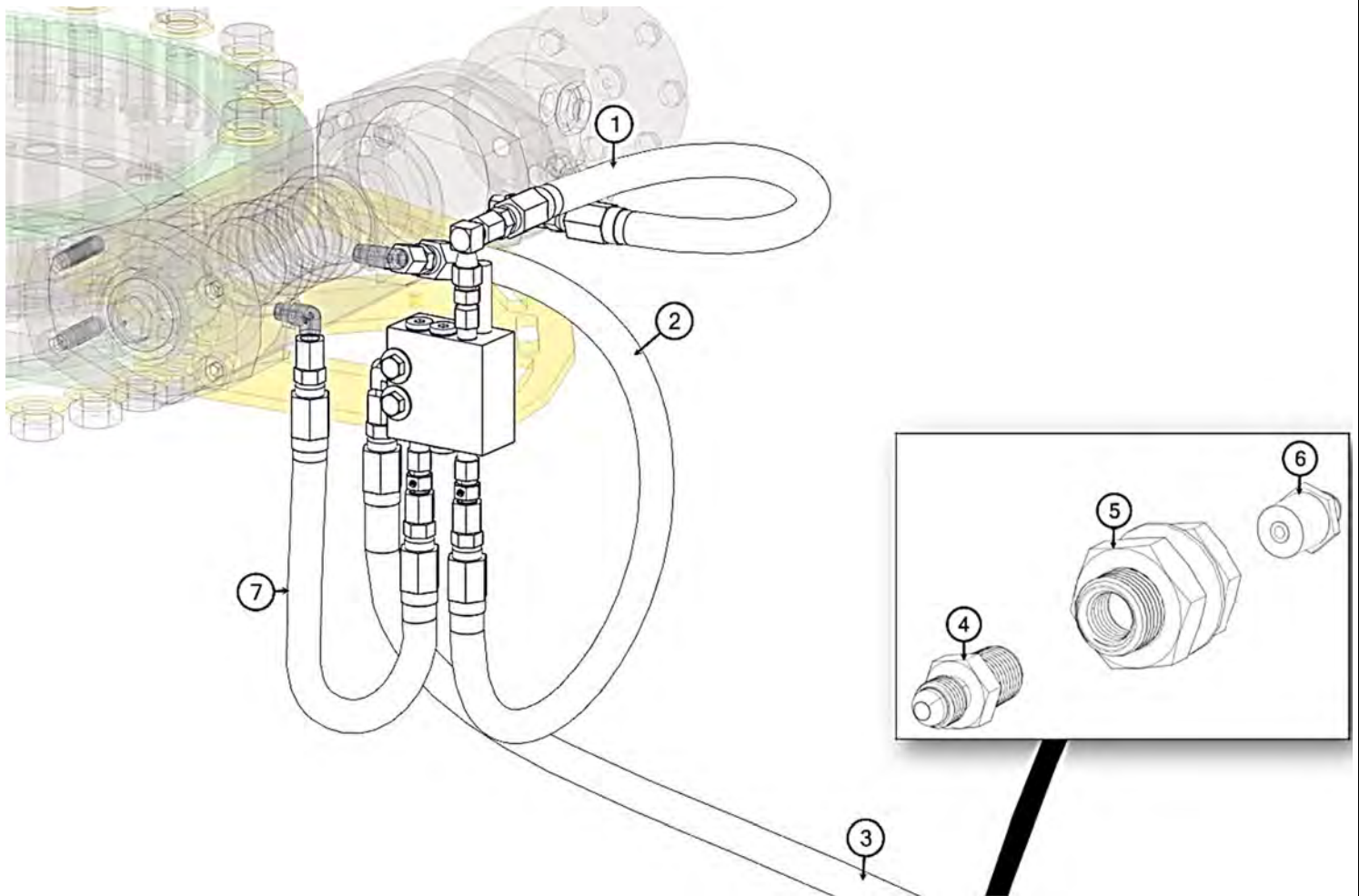
BOM ID	Qty	Name
1	1	8096338 VALVE, DIVIDER GREASE 10 OUTLET
2	4	8096340 FITTING, PVB OUTLET W/CV M10 X 1 1/8" NPTF
3	6	8096339 PLUG,"C" PORTING
4	6	8096352 WASHER, COPPER SEALING
5	4	U200020 WASHER FLAT .250 ZP
6	2	U000120 SCREW, HC .250-20 X 2.00 ZP G5
7	2	U120000 NUT, LOCK, NY, .250-20 ZP G2



BOM ID	Qty	Name
1	1	8096342-030.00 HOSE, 1/4" ID SAE100 R7 X 30"
2	1	8096342-190.00 HOSE, 1/4" ID SAE100 R7 X 190"
3	1	T500100 FITTING, GREASE .250 NPT STR
4	1	T400383 BULKHEAD, 1/4"FP X 1/4"FP
5	1	T400020 UNION, 1/4"MP-1/4"MJ STRAIGHT
6	1	8096342-022.00 HOSE, 1/4" ID SAE100 R7 X 22"
7	1	8096342-022.00 HOSE, 1/4" ID SAE100 R7 X 22"
8	1	8096342-034.00 HOSE, 1/4" ID SAE100 R7 X 34"

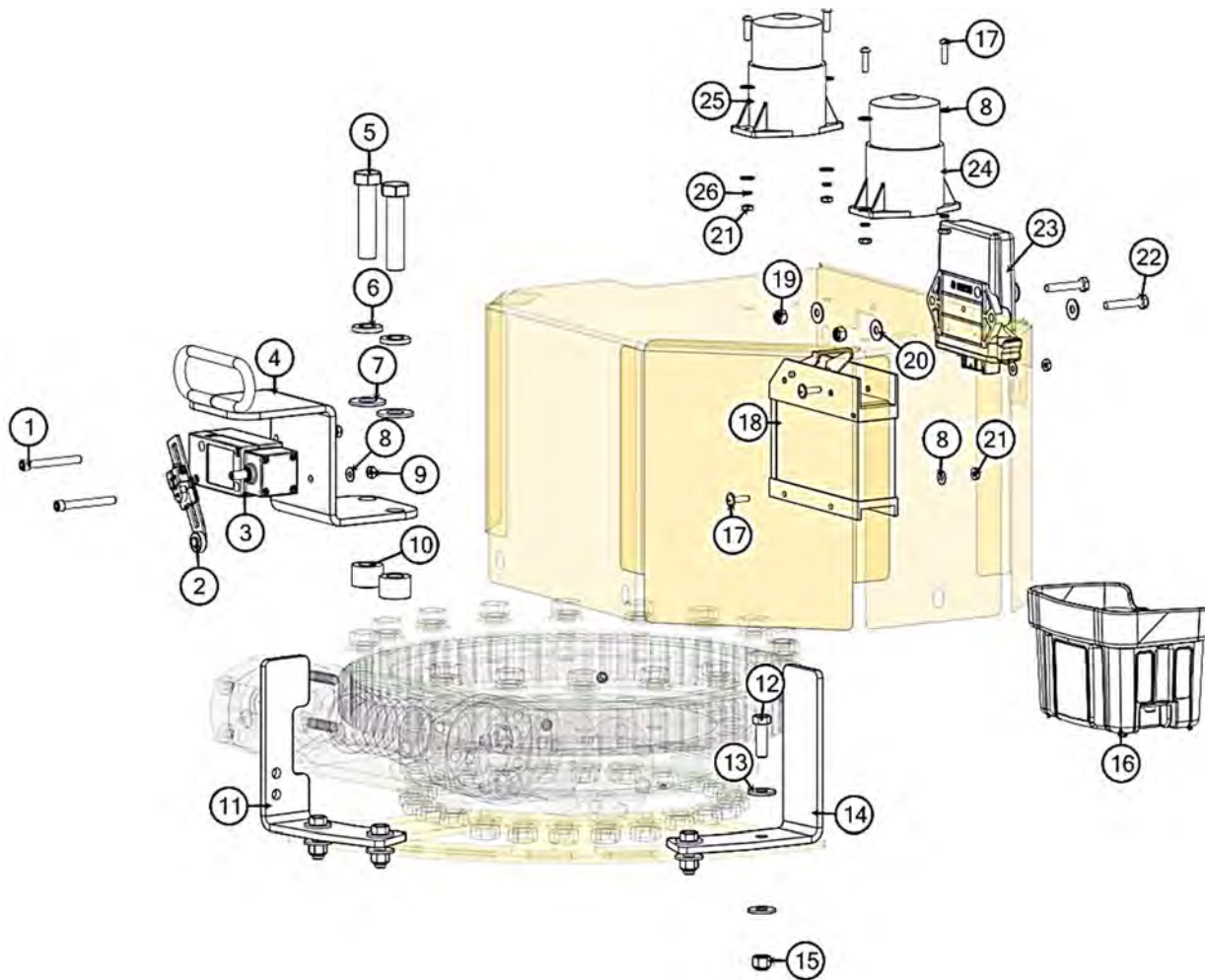


BOM ID	Qty	Name
1	1	8096337 VALVE, DIVIDER GREASE 6 OUTLETS
2	3	8096352 WASHER, COPPER SEALING
3	3	8096339 PLUG,"C" PORTING
4	3	8096340 FITTING, PVB OUTLET W/CV M10 X 1 1/8" NPTF
5	4	U200020 WASHER FLAT .250 ZP
6	2	U000120 SCREW, HC .250-20 X 2.00 ZP G5
7	2	U120000 NUT, LOCK, NY, .250-20 ZP G2



BOM ID	Qty	Name
1	1	8096337 VALVE, DIVIDER GREASE 6 OUTLETS
2	3	8096352 WASHER, COPPER SEALING
3	3	8096339 PLUG, "C" PORTING
4	3	8096340 FITTING, PVB OUTLET W/CV M10 X 1 1/8" NPTF
5	4	U200020 WASHER FLAT .250 ZP
6	2	U000120 SCREW, HC .250-20 X 2.00 ZP G5
7	2	U120000 NUT, LOCK, NY, .250-20 ZP G2

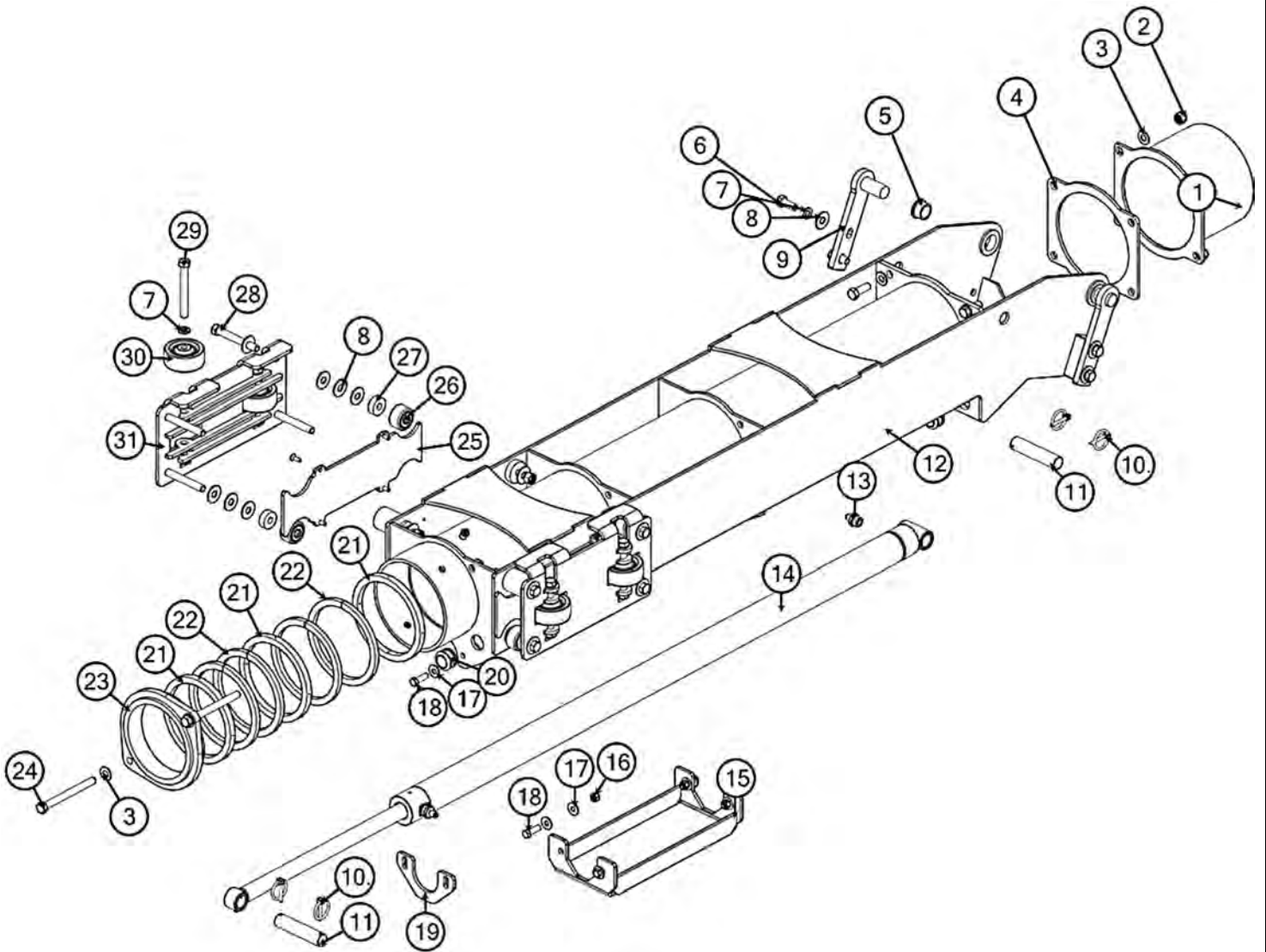
VXT8 BOOM ELECTRICAL ASSEMBLY



BOM ID	Qty	Name
1	2	U010016 SCREW, HSH #10-24 X 2.25
2	1	8042432 SWITCH LIMIT BOOM ADJ LEVER
3	1	8042431 SWITCH LIMIT BOOM
4	1	8096032 WELDMENT, BOOM ROUTING
5	2	U001240 SCREW, HC .625-11 X 2.75 ZP G5
6	2	U210140 WASHER LOCK .625 ZP
7	2	U200150 WASHER FLAT .625 ZP SAE HARD
8	14	U200001 WASHER FLAT #10
9	2	U210006 NUT, LOCK, NY, #10
10	2	8042376 SPACER LIMIT SWITCH BRACKET
11	1	8042357 BOOM ROTATION STOP BRACKET
12	4	U000440 SCREW, HC .375-16 X 1.25 ZP G5
13	8	U200060 WASHER FLAT .375 ZP
14	1	8042359 BOOM ROTATION STOP BRKT OPP

BOM ID	Qty	Name
15	4	U110060 NUT, ST .375-16 ZP G2
16	1	8094018 TRANSMITTER, MINI MBT BOOM 6"
17	6	U030809 SCREW, PAN HD PHIL 10-24 X .75 ZP
18	1	8092952 CONTROLLER IFM CAN (BOOM)
19	2	U120000 NUT, LOCK, NY, .250-20 ZP G2
20	4	U200020 WASHER FLAT .250 ZP
21	6	U100010 NUT, HEX M/S #10-24
22	2	U000100 SCREW, HC .250-20 X 1.50 ZP G5
23	1	8094017 RECEIVER, CAN2, BOOM 6" W/ANTENNA
24	1	8043139 LIGHT STROBE LED DEUTSCH
25	1	8098184 LIGHT, STROBE BLUE LED DEUTSCH
26	4	U210005 WASHER LOCK #10

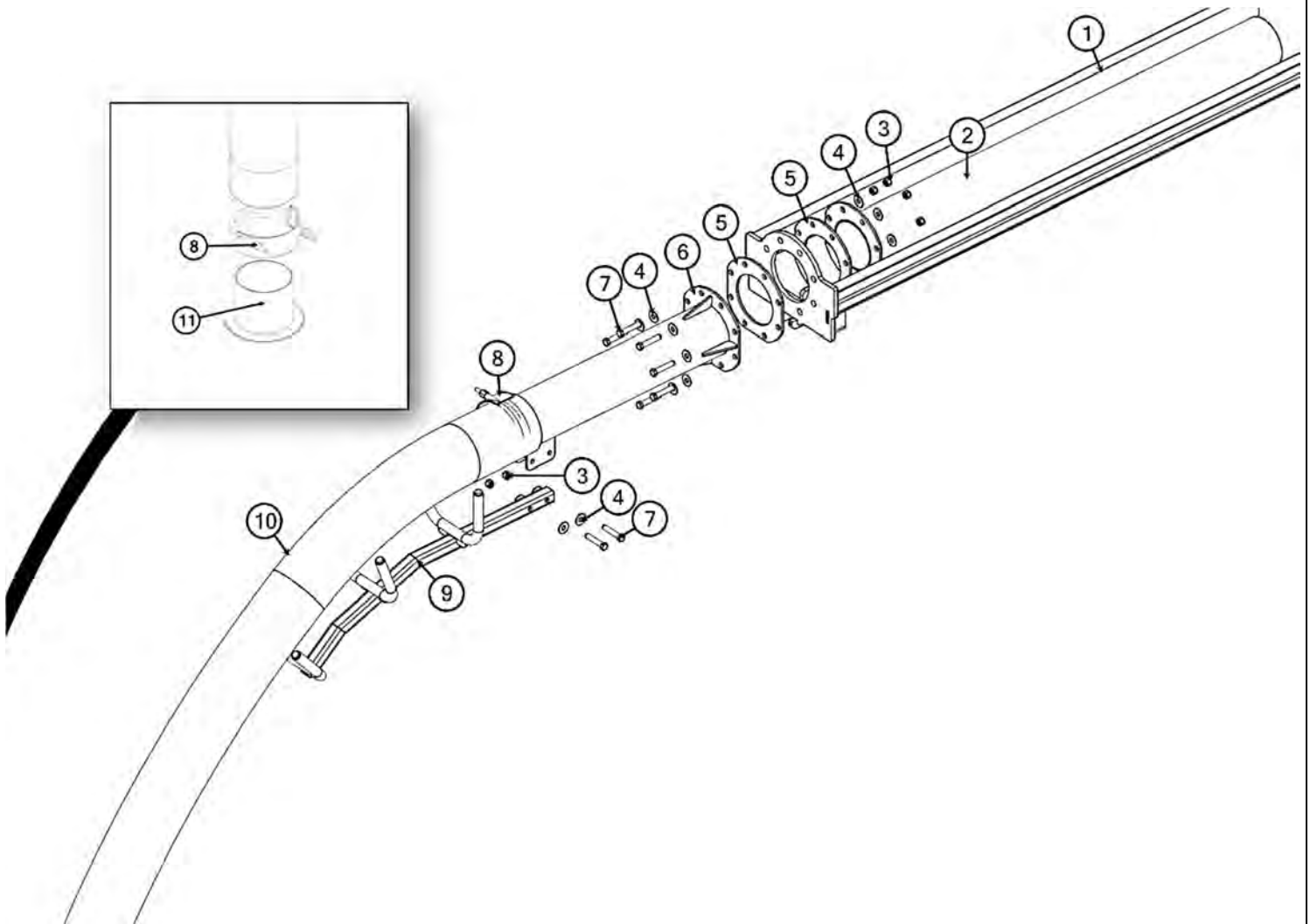
VXT8 BOOM MID SECTION ASSEMBLY



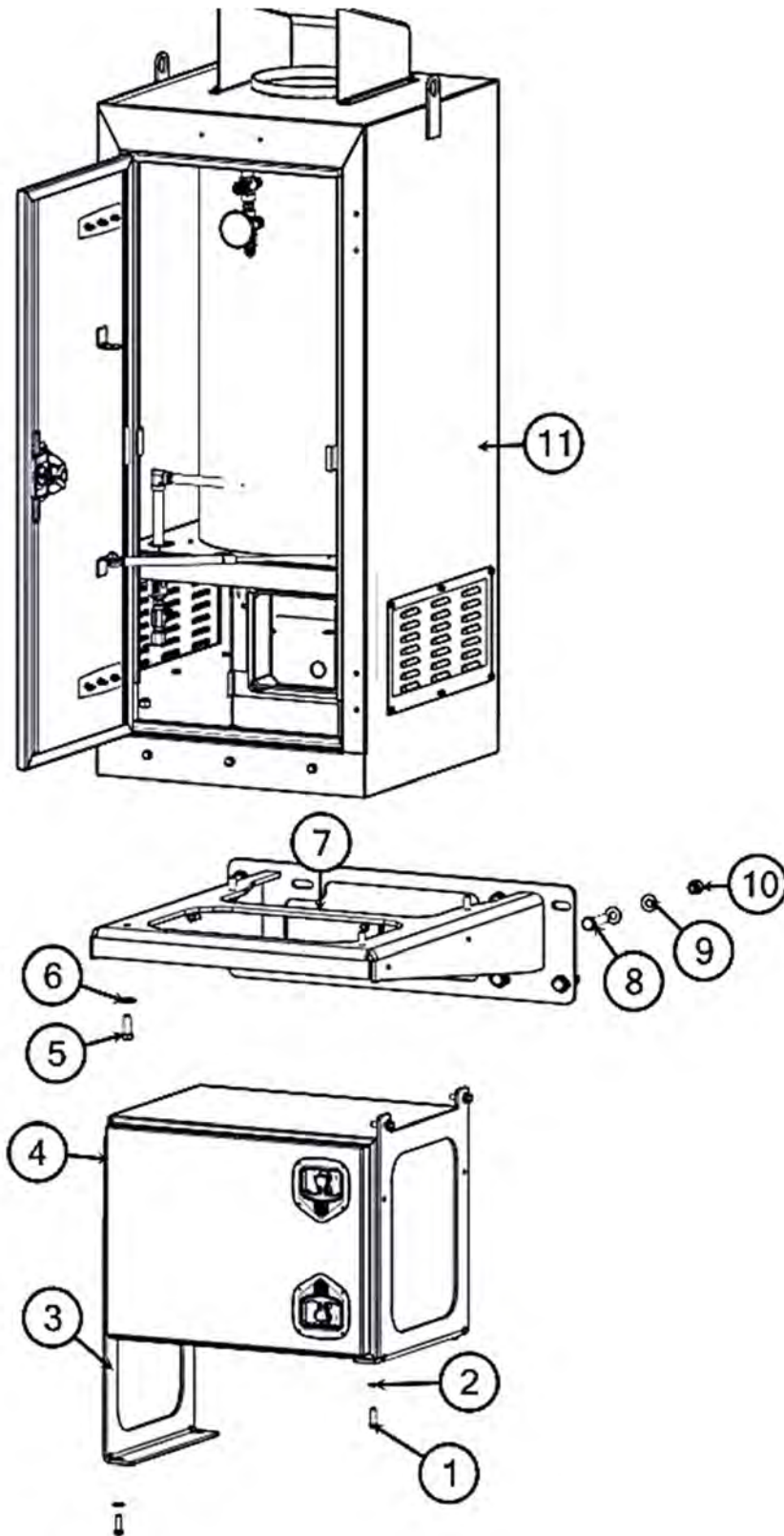
VXT8 BOOM MID SECTION ASSEMBLY

BOM ID	Qty	Name
1	1	8095767 WELDMENT, BOOM 8" HOSE ADAPTER
2	14	U160018 NUT, LOCK .500-13 NY ZP
3	12	U200110 WASHER FLAT .500 ZP SAE HARD
4	1	8095790 GASKET, BOOM 8" HOSE ADAPTER
5	2	8041883 BUSHING BRONZE 1.25 X 1.0 X .63 FL
6	4	U000820 SCREW, HC .500-13 X 1.25 ZP G5
7	8	U210100 WASHER LOCK .500 ZP
8	32	U200100 WASHER FLAT .500 ZP
9	2	8046634 BOOM PIVOT PIN LP
10.	4	U340050 PIN LINCH 3/16 X 1-9/16 ZP
11	2	8041990 BOOM PIVOT CYL ROD PIN
12	1	8095772 WELDMENT, BOOM 6" PIVOT ARM
13	2	T400611 REDUCER, 1/2"MB-1/4"MJ
14	1	8041926 CYLINDER, HYD BOOM 2 X 48
15	1	8095279 WELDMENT, BOOM FOOT
16	6	U110060 NUT, ST .375-16 ZP G2
17	12	U200060 WASHER FLAT .375 ZP
18	6	U000440 SCREW, HC .375-16 X 1.25 ZP G5
19	1	8041956 BOOM PIVOT ARM CYL RET PLATE
20	5	8041686 GROMMET, 1"ID - 1 1/2"OD - 1/2"WOG
21	3	8092142 SLEEVE, PLASTIC 6" BOOM
22	4	8092143 BOOM, 6" PACKING RING
23	1	8091441 WELDMENT, PACKING GLAND 6" BOOM
24	2	U001020 SCREW, HC .500-13 X 5.50 ZP G5
25	2	8091624 SHEET, GLIDE BOOM PIVOT ARM
26	4	W000055 BEARING, CAMROL 1.75 X 1.0 X 0.50
27	4	8046624 BOOM CAM ROLLER SPACER LP
28	8	U000960 SCREW, HC .500-13 X 4.00 ZP G5
29	4	U000980 SCREW, HC .500-13 X 4.50 ZP G5
30	4	8030226 WHEEL PLASTIC BOOM
31	2	8046627 BOOM EXTENSION ARM CAPTURE LP

VXT8 BOOM EXTENSION ASSEMBLY



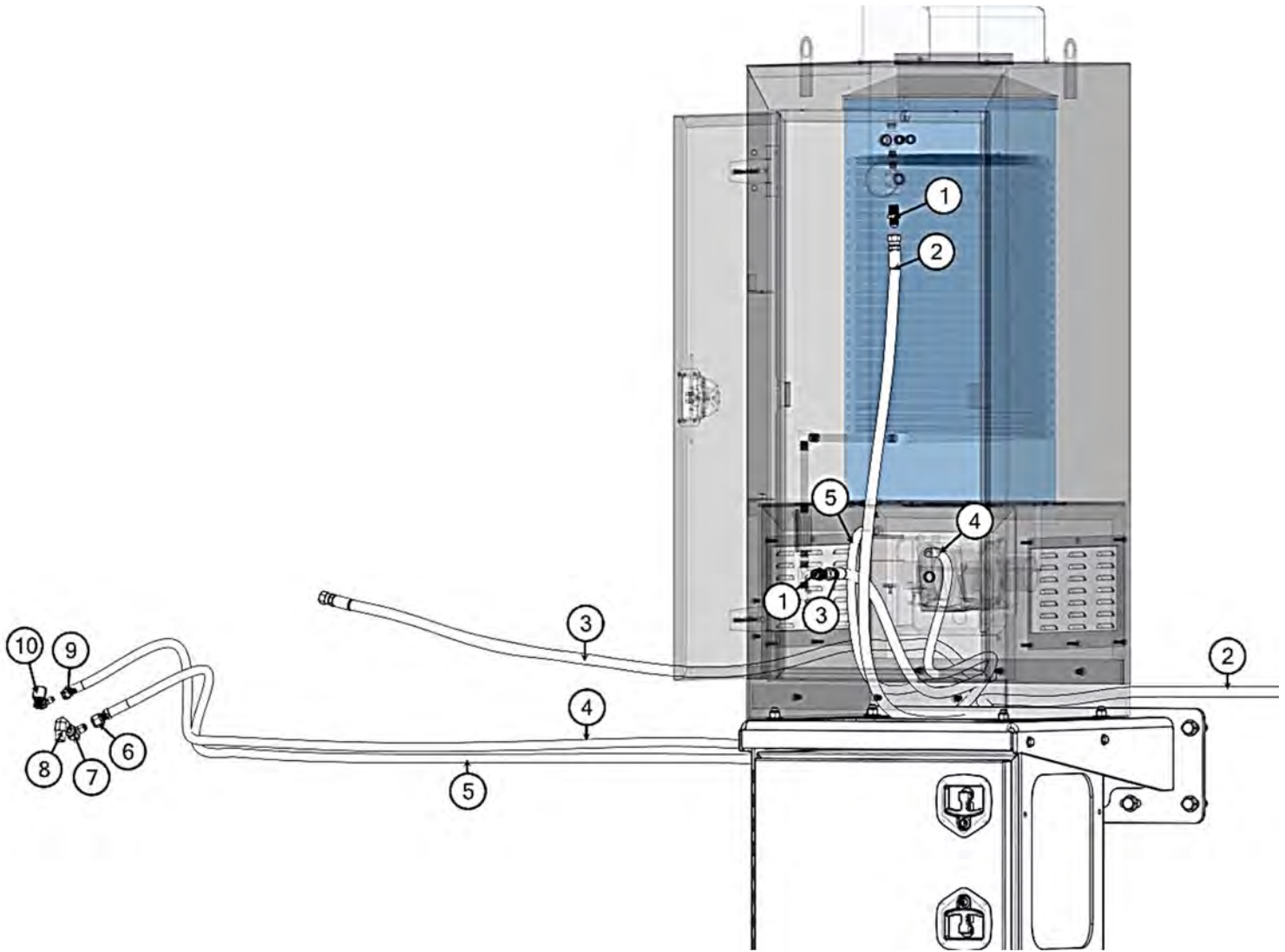
BOM ID	Qty	Name
1	1	8095779 WELDMENT, BOOM 6" EXTENSION
2	1	8092375 WELDMENT, BOOM EXTENSION
3	10	U160018 NUT, LOCK .500-13 NY ZP
4	20	U200100 WASHER FLAT .500 ZP
5	2	8092939 GASKET, BOOM
6	1	8095782 WELDMENT, BOOM 6" EXTENSION LG
7	10	U000920 SCREW, HC .500-13 X 2.75 ZP G5
8	2	8096849-01 CLAMP, 6" HOSE MAT.HANDLING
9	1	8097041 WELDMENT, CRADLE BOLT-ON
10	1	8096849-120 HOSE, 6" x 120"LG
11	1	8093018 WELDMENT, BOOM HOSE CONNECTION



BOM ID	Qty	Name
1	4	U000440 SCREW, HC .375-16 X 1.25 ZP G5
2	16	U200066 WASHER, FLAT .375 18-8 SS
3	2	8097717 PLATE, TOOLBOX MOUNT LOWER
4	1	8095634 TOOLBOX, 18D X 24W X 18D
5	4	U000840 SCREW, HC .500-13 X 1.50 ZP G5
6	8	U200100 WASHER FLAT .500 ZP
7	1	8097714 WELDMENT, HOTBOX MOUNT
8	6	U001241 SCREW, HC .625-11 X 2.75 ZP G8
9	12	U200150 WASHER FLAT .625 ZP SAE HARD
10	6	U120020 NUT, LOCK NY, .625-11 ZP G2
11	1	8093136 HOTBOX DYNABLAST 420K

OPTION

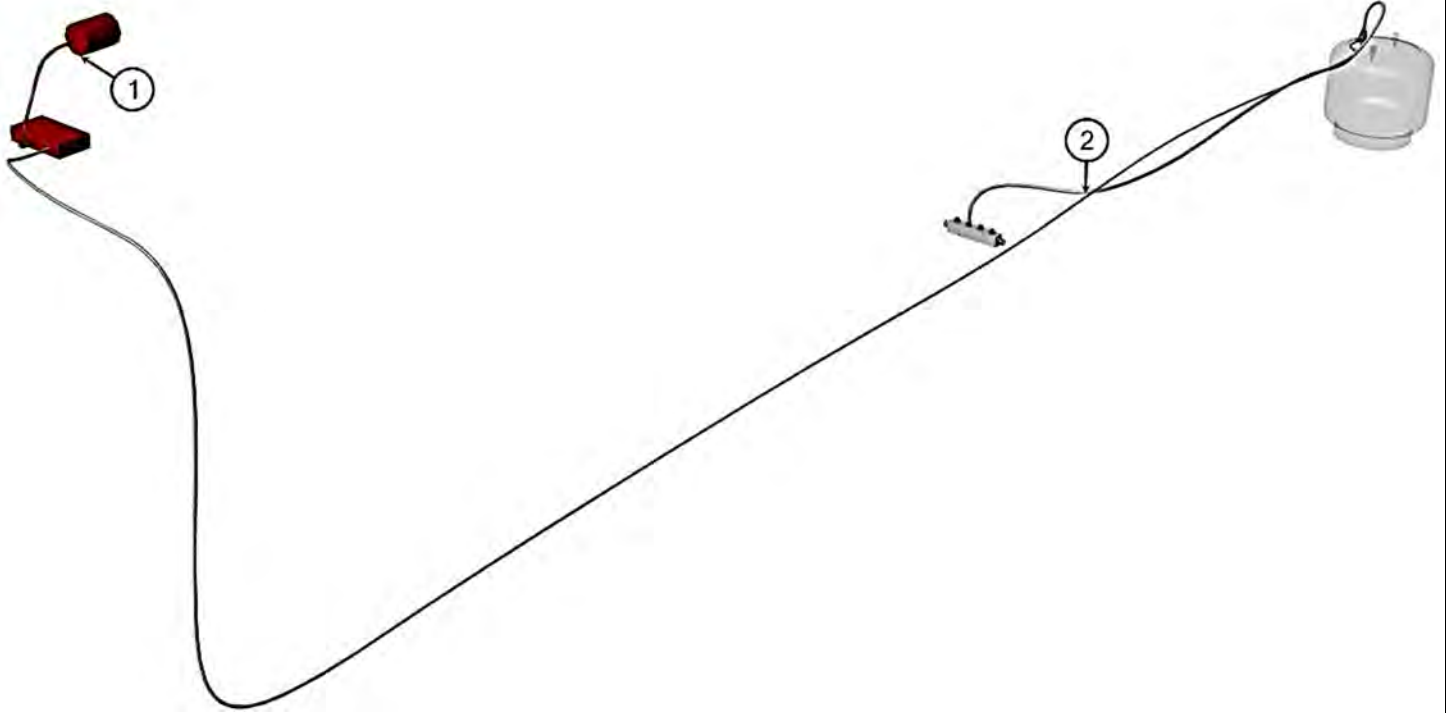
VXT8 HOTBOX HOSE & FITTINGS ASSEMBLY



BOM ID	Qty	Name
1	2	T400040 UNION, 1/2"MP-1/2"MJ
2	1	8041466 HOSE ASSY VAC 8-160" ST-ST
3	1	8046702 HOSE ASSY VAC 8-108" ST-ST
4	1	8049946-130.00 HOSE, FUEL 5/16 X 130"LG
5	1	8049946-143.00 HOSE, FUEL 5/16 X 143"LG
6	1	T400700 REDUCER, 1/2"FJ-1/4"MJ
7	1	T402155 TEE, 1/2"FJ-1/2"MJ-1/2"MJ
8	1	T401140 ELBOW, 90 1/2"MP-1/2"MJ
9	1	T400022 REDUCER 6FJ-4MJ
10	1	T401102 ELBOW, 90 3/8"MP-3/8"MJ

OPTION

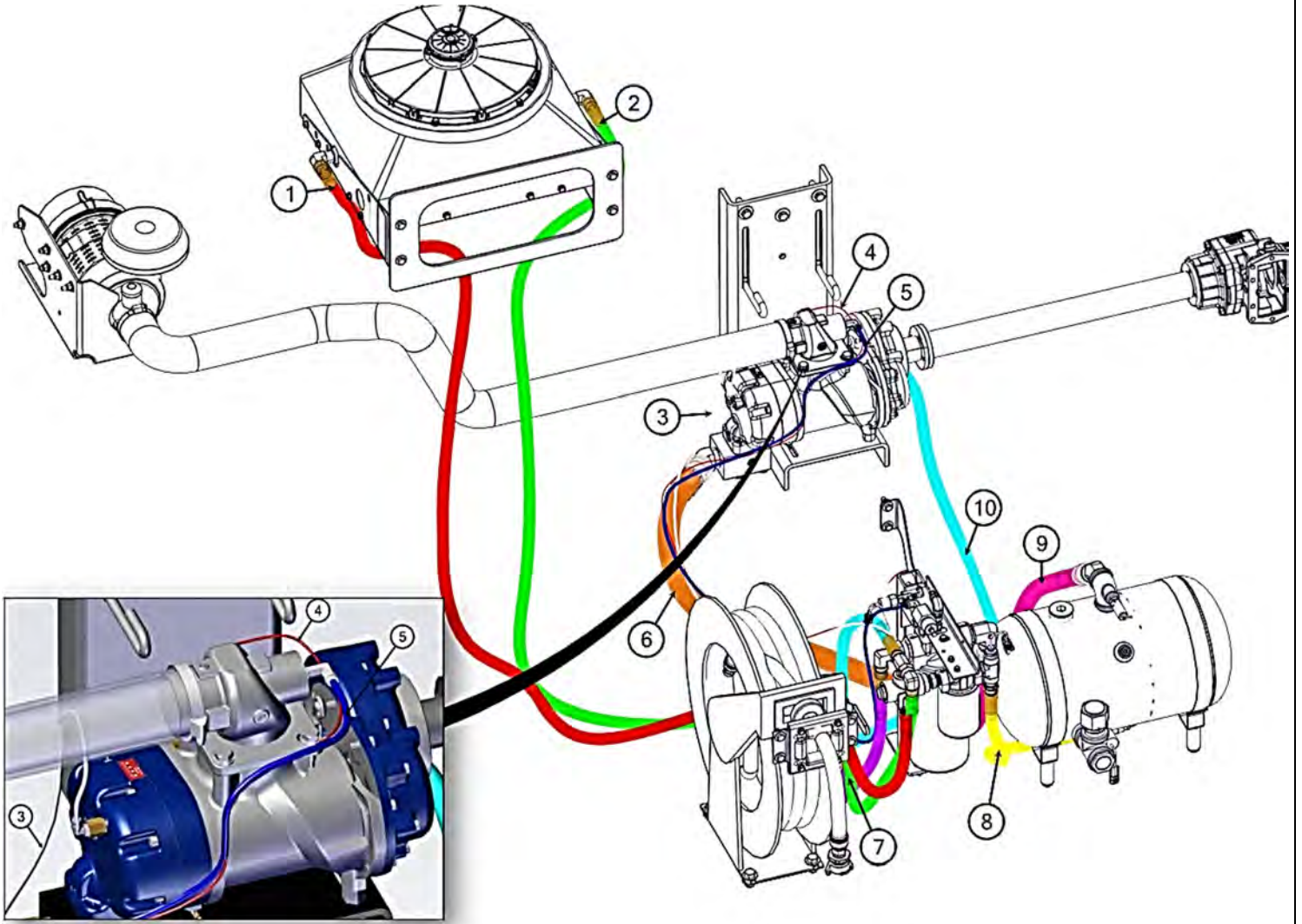
VXT8 AIR-WEIGHT SYSTEM



BOM ID	Qty	Name
1	1	8094690 KIT, TRUCK SCALE
2	1	8097034 AIR-WEIGHT AXLE ADD-ON

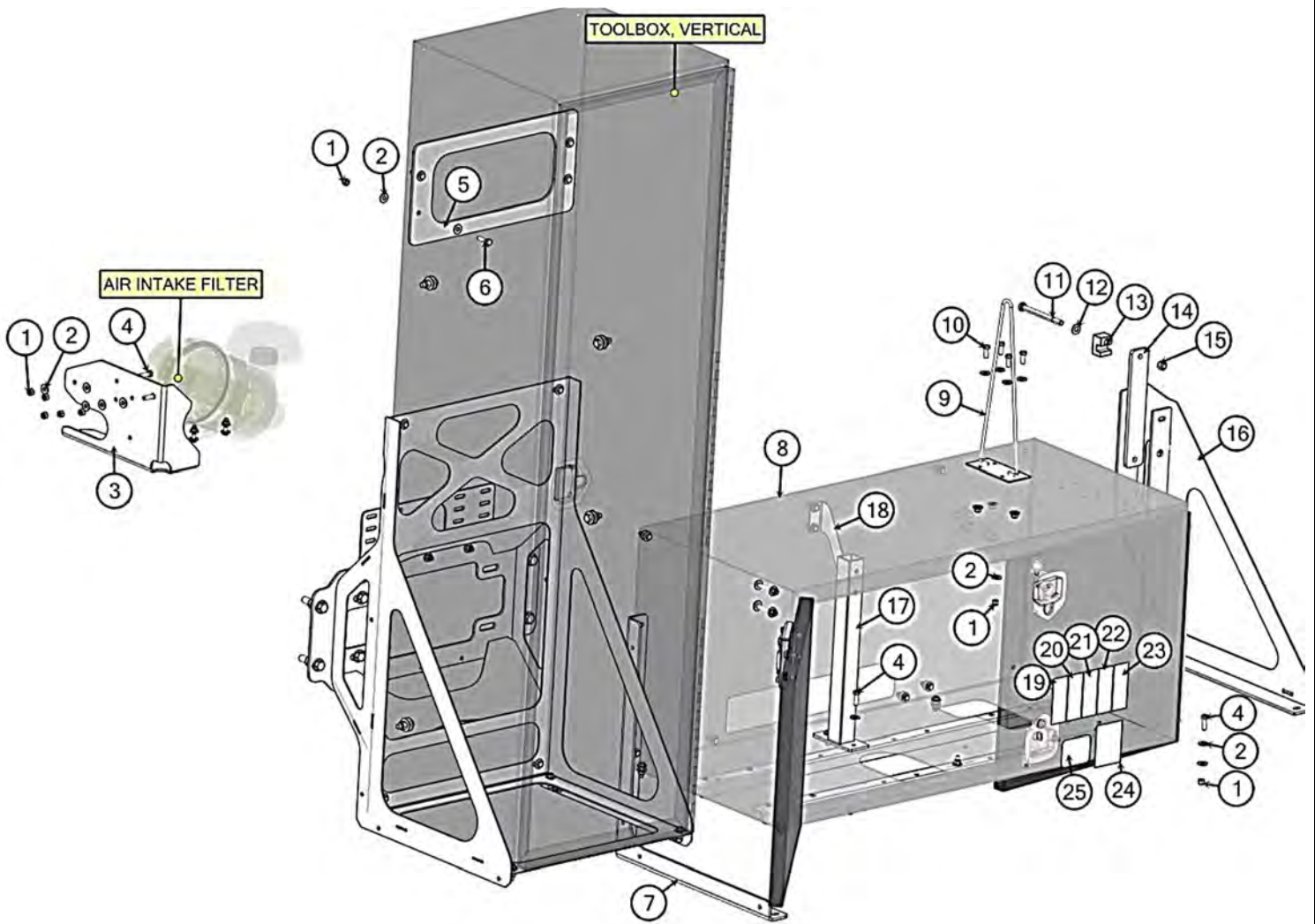
HOSES (BOSS)

VXT8 AIR COMPRESSOR ASSEMBLY



HOSES (BOSS)**VXT8 AIR COMPRESSOR
ASSEMBLY**

BOM ID	Qty	Name
1	1	8097071-107 HOSE ASSY VAC 12 - 136" ST-ST
2	1	8097071-105 HOSE ASSY VAC 12- 136" ST-ST
3	1	8097071-103 TUBING, NYLON 1/4 - 90"LG
4	1	8097071-101 TUBING, NYLON 1/8 - 90"LG
5	1	8097071-102 TUBING, NYLON 5/16 - 90"LG
6	1	8097071-108 HOSE ASSY VAC 24 - 60" ST-ST
7	1	8097071-109 HOSE ASSY VAC 12 - 30" ST-90
8	1	8097071-110 HOSE ASSY VAC 12 - 28" ST-ST
9	1	8097071-215 HOSE ASSY VAC 20 - 34" ST-ST
10	1	8097071-106 HOSE ASSY VAC 12 - 120" ST-90



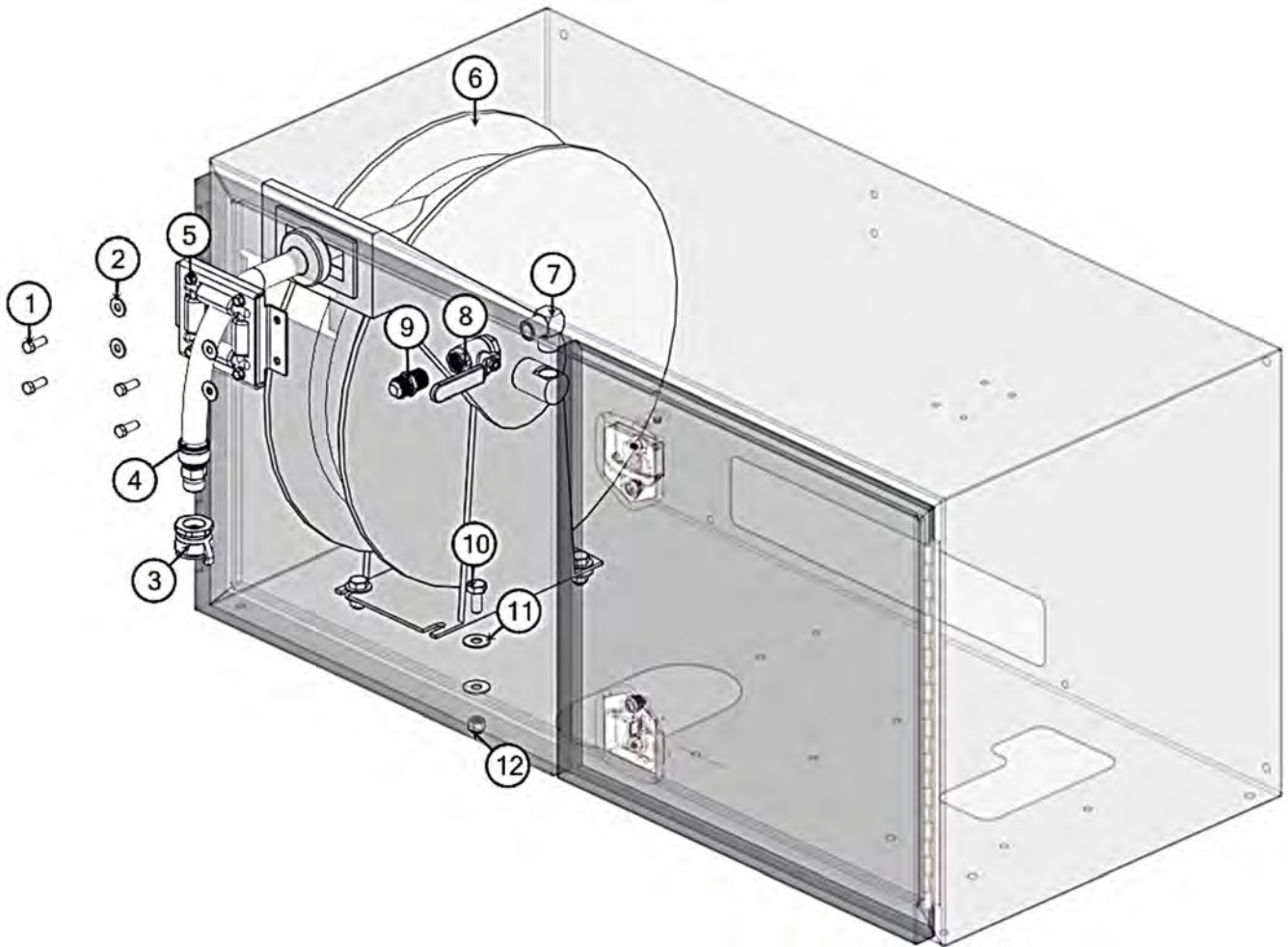
BRACKETS & TOOLBOX

VXT8 AIR COMPRESSOR
ASSEMBLY

BOM ID	Qty	Name
1	36	U120110 NUT, LOCK .375-16 NY ZP
2	76	U200060 WASHER FLAT .375 ZP
3	1	8098122 MOUNT, AIR COMPRESSOR INTAKE FILTER
4	25	U000440 SCREW, HC .375-16 X 1.25 ZP G5
5	1	8098123 PLATE, AIR COOLER SUPPORT
6	4	U000460 SCREW, HC .375-16 X 1.50 ZP G5
7	1	8098091 MOUNT, AIR UNIT TOOLBOX REAR
8	1	8098038 TOOLBOX, AIR COMPRESSOR
9	1	8096545 HOLDER, CONE TRAFFIC
10	8	U000420 SCREW, HC .375-16 X 1.00 ZP G5
11	2	U001031 SCREW, HC .500-13 X 6.00 ZP G8
12	4	U200110 WASHER FLAT .500 ZP SAE HARD
13	2	8096466 FLAT, RAIL TENSION MOUNT
14	1	8097771 PLATE, HORIZONTAL TOOLBOX STIFFENER
15	2	U120125 NUT, LOCK NY .500-13 YZ G8
16	1	8098086 WELDMENT, AIR UNIT BOX MOUNT
17	1	8098127 WELDMENT, FILTER TUBE MOUNT
18	1	8098209 PLATE, FILTER BRACKET SUPPORT
19	1	8097071-121 DECAL, READ OPERATORS MANUAL
20	1	8097071-124 DECAL, ROTATIONAL DRIVESHAFT
21	1	8097071-125 DECAL, CONNECT AIR HOSE ONLY
22	1	8097071-122 DECAL, DISCHARGE AIR
23	1	8097071-123 DECAL, HOT OIL UNDER PRESSURE
24	1	8097071-127 DECAL, COMPRESSOR FLUID
25	1	8097071-126 DECAL, COMPRESSOR FLUID

HOSE REEL

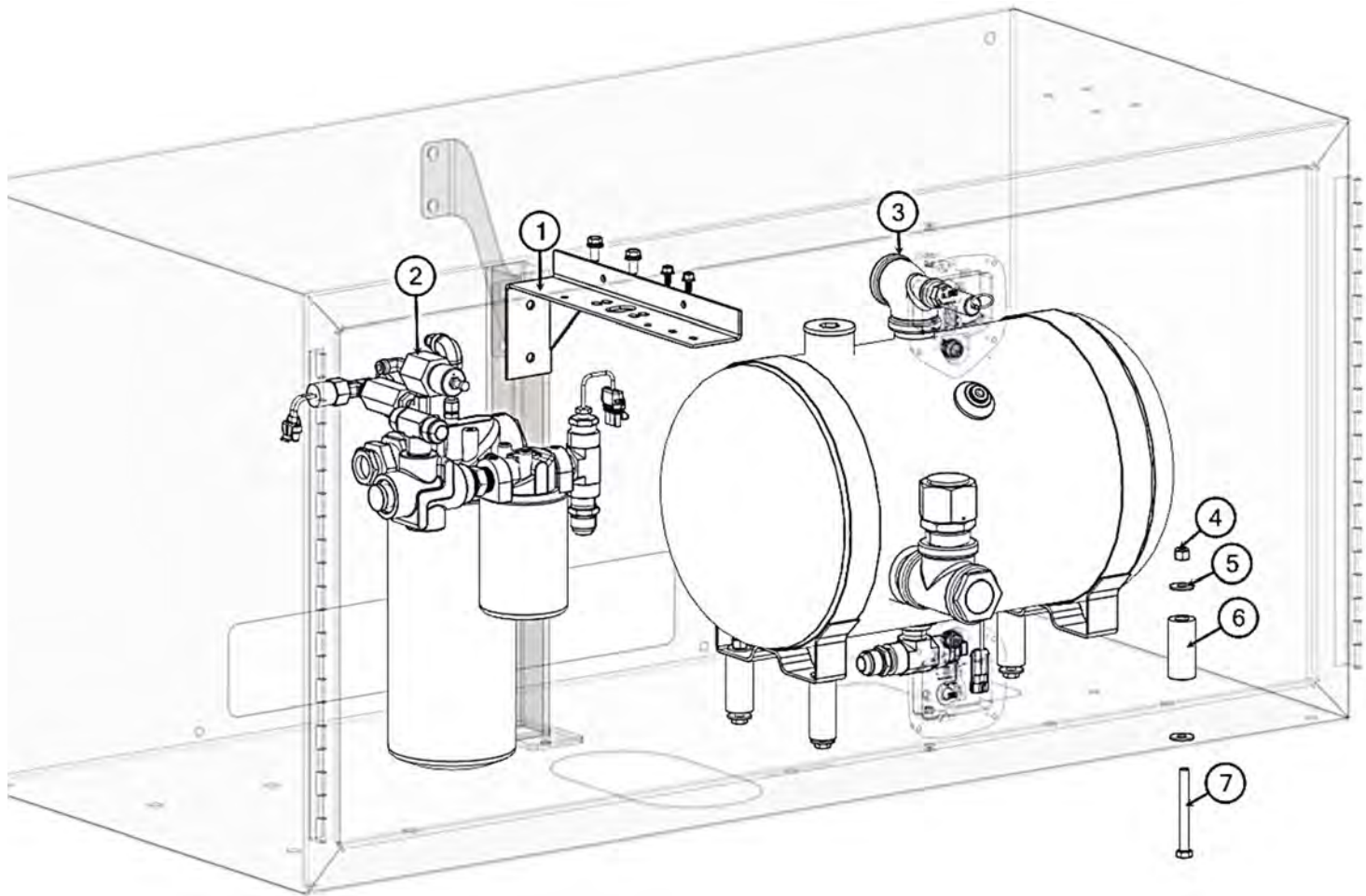
VXT8 AIR COMPRESSOR ASSEMBLY



BOM ID	Qty	Name
1	4	U000420 SCREW, HC .375-16 X 1.00 ZP G5
2	4	U200060 WASHER FLAT .375 ZP
3	1	8043085 FITTING, 3/4" CHICAGO XFPT
4	1	8043083 HOSE ASSY AIR 3/4 X 50' MP-MP
5	1	8097250 ASSEMBLY, HOSE ROLLER GUIDE
6	1	8046439 REEL F/ HOSE SPRGDRVN 3/4 X 50'
7	1	T401040 ELBOW, 90 3/4"MP-3/4"MP
8	1	T000185 VALVE, BALL 3/4" FNPT BRASS
9	1	T400100 UNION, 3/4"MP-3/4"MJ
10	4	U000821 SCREW, HC .500-13 X 1.25 ZP G8
11	8	U200112 WASHER, FLAT .500 X 1.375 OD
12	4	U160018 NUT, LOCK .500-13 NY ZP

SUMP TANK & FILTER

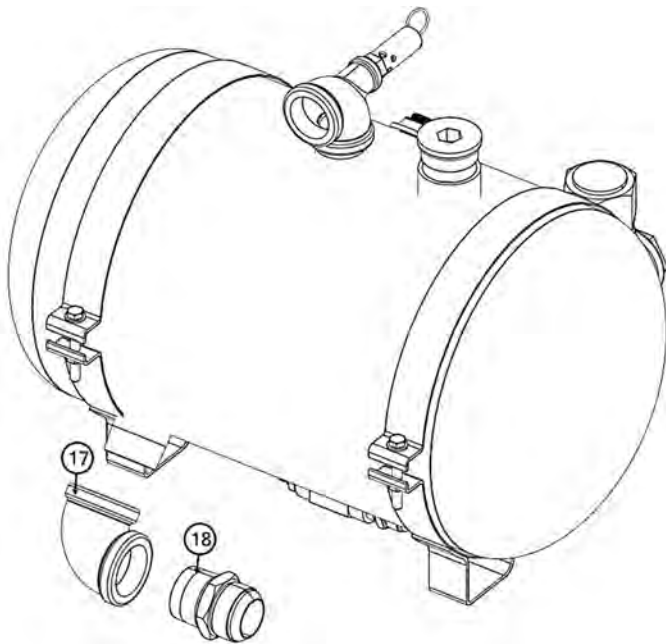
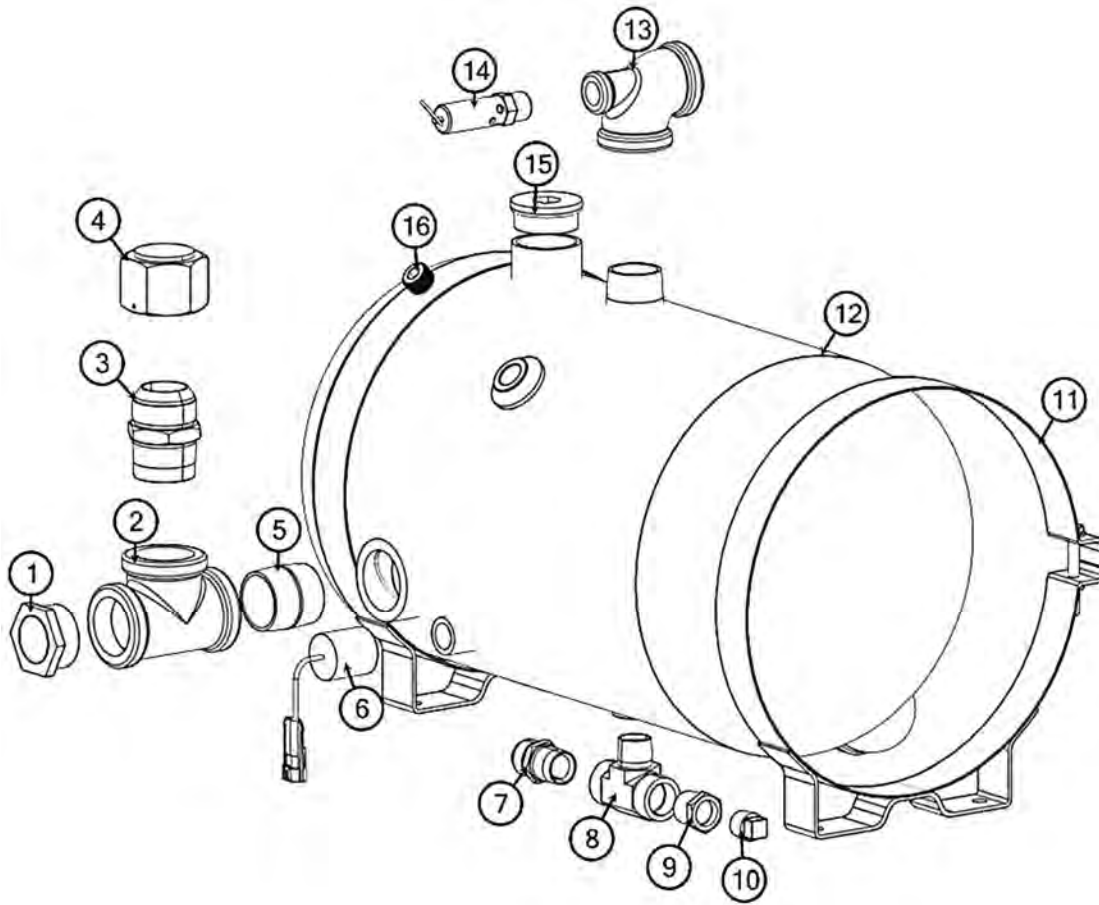
VXT8 AIR COMPRESSOR ASSEMBLY



BOM ID	Qty	Name
1	1	8097071-136 FILTER BRACKET
2	1	8097071-03 ASSEMBLY, COMPRESSOR FILTER
3	1	8097071-02 SUMP TANK ASSEMBLY
4	4	U120110 NUT, LOCK .375-16 NY ZP
5	4	U200060 WASHER FLAT .375 ZP
6	4	8098130 MOUNT, SUMP TANK
7	4	U000580 SCREW, HC .375-16 X 3.50 ZP G5

SUMP TANK

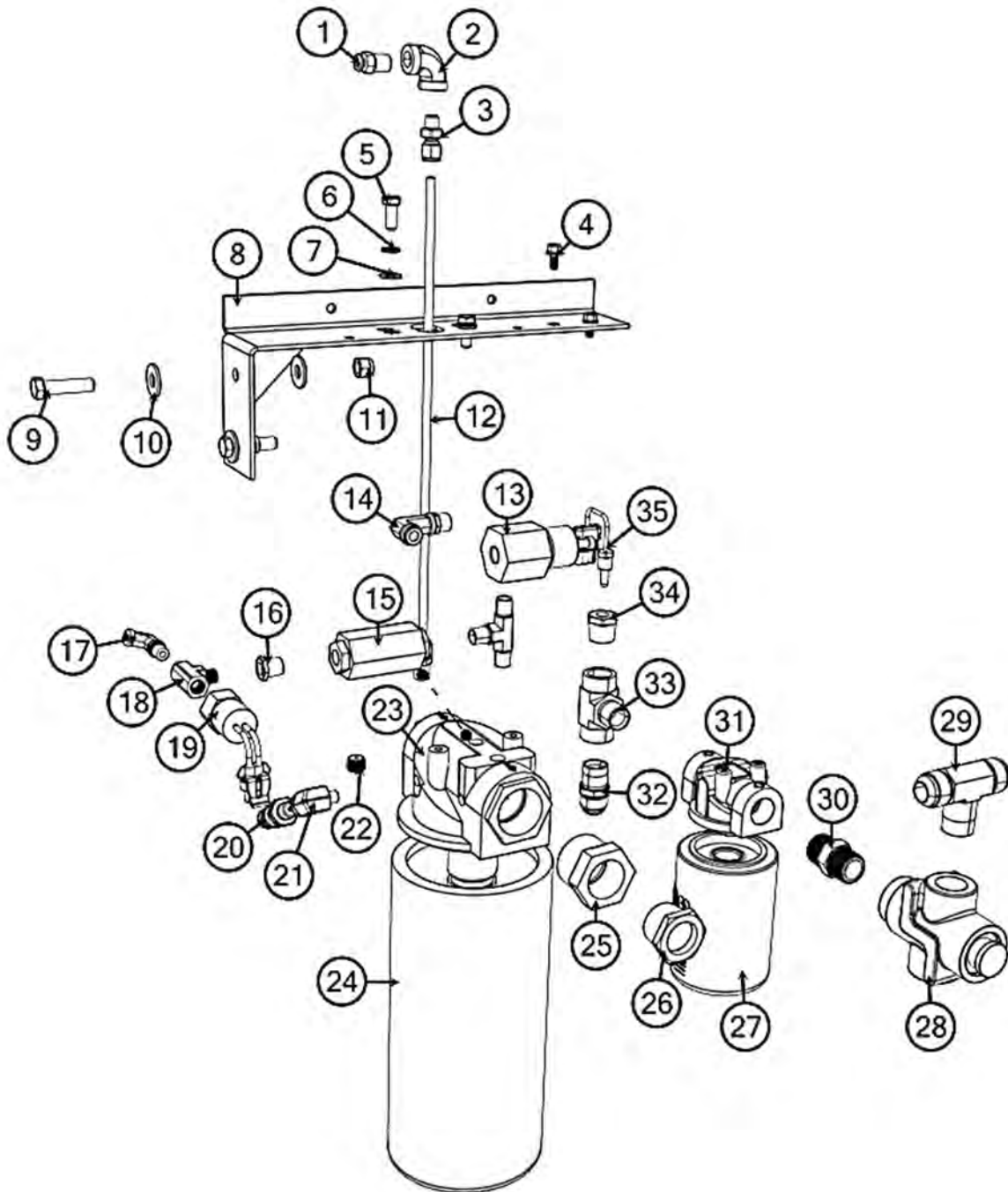
VXT8 AIR COMPRESSOR ASSEMBLY



SUMP TANK

**VXT8 AIR COMPRESSOR
ASSEMBLY**

BOM ID	Qty	Name
1	1	8097071-74 SIGHTGLASS, OIL LEVEL 1 1/2
2	1	8097071-72 TEE, PIPE 1 1/2 GAL 150 PSI
3	1	8097071-75 UNION, 1 1/2 MJIC X 1 1/2 MNPT
4	1	8097071-73 CAP, JIC 1 1/2 W/HOLE
5	1	8097071-76 NIPPLE, PIPE 1 1/2 X CLOSE GAL SCH80
6	1	8097071-159 SWITCH, OIL LEVEL FLOAT
7	1	8097071-66 UNION, 3/4 MJIC X 3/4 MNPT
8	1	8097071-65 TEE, MB 3/4 F X 3/4 F X 3/4 M
9	1	8097071-67 REDUCER, RED 3/4 X 1/2 NPT
10	1	8097071-68 PLUG, MAGNETIC 1/2 NPT
11	2	8097071-160 BAND, SUMP MTG 12
12	1	8097071-58 SUMP, 12 DISCHARGE W/PLATE BAFFLE
13	1	8097071-71 TEE, PIPE RED 1 1/4 X 1/2 X 1 1/4 GAL 150 PSI
14	1	8097071-69 PRESSURE RELIEF VALVE
15	1	8097071-101 PLUG, -24 SAE (1 7/8"-12)
16	1	8097071-102 PLUG, PIPE 1/2 RECESSED ZINC
17	1	8097071-63 ELBOW, PIPE 1 1/2 GAL 150 PSI
18	1	8097071-64 UNION, 1 1/2 MJIC X 1 1/2 MNPT



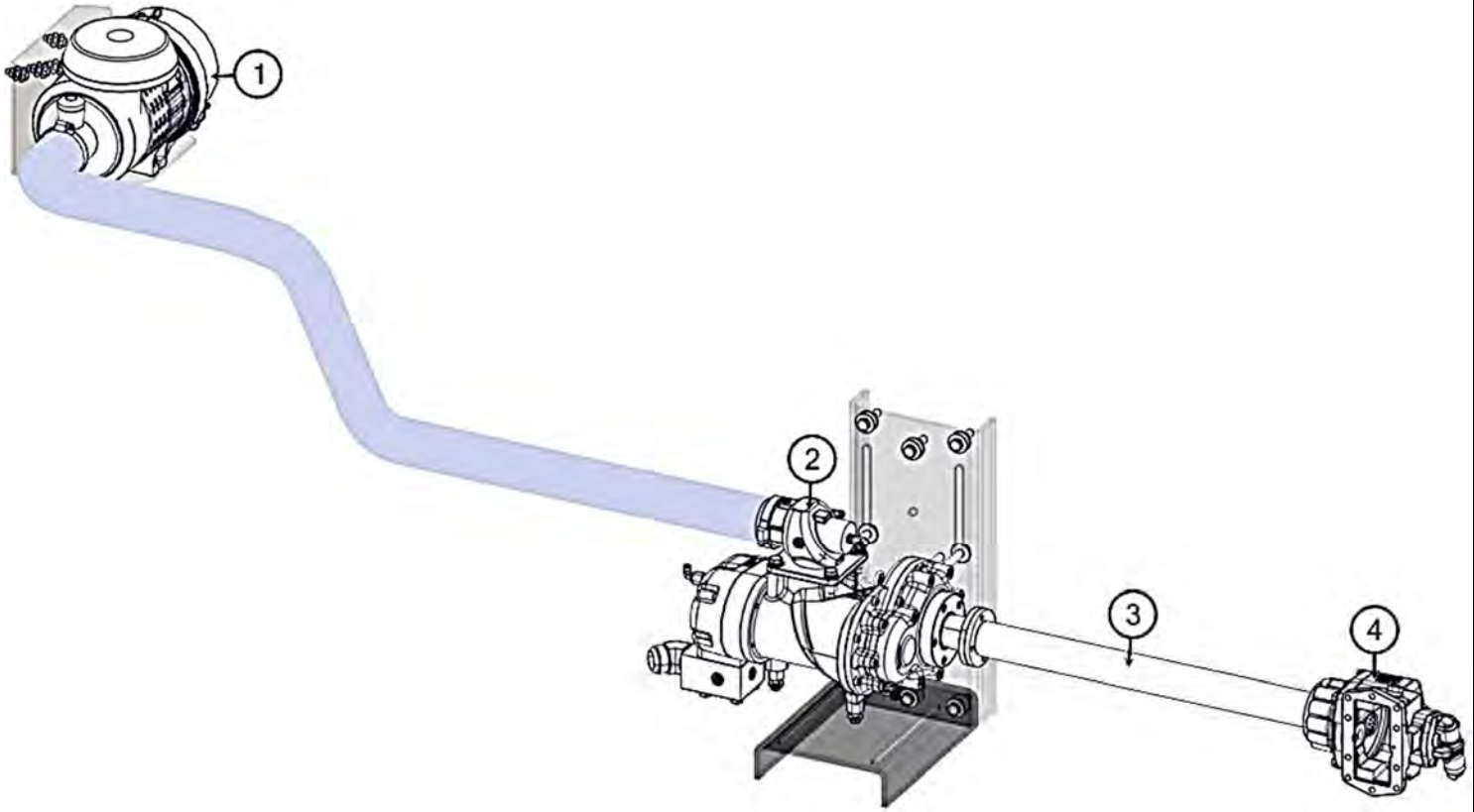
FILTERS

VXT8 AIR COMPRESSOR ASSEMBLY

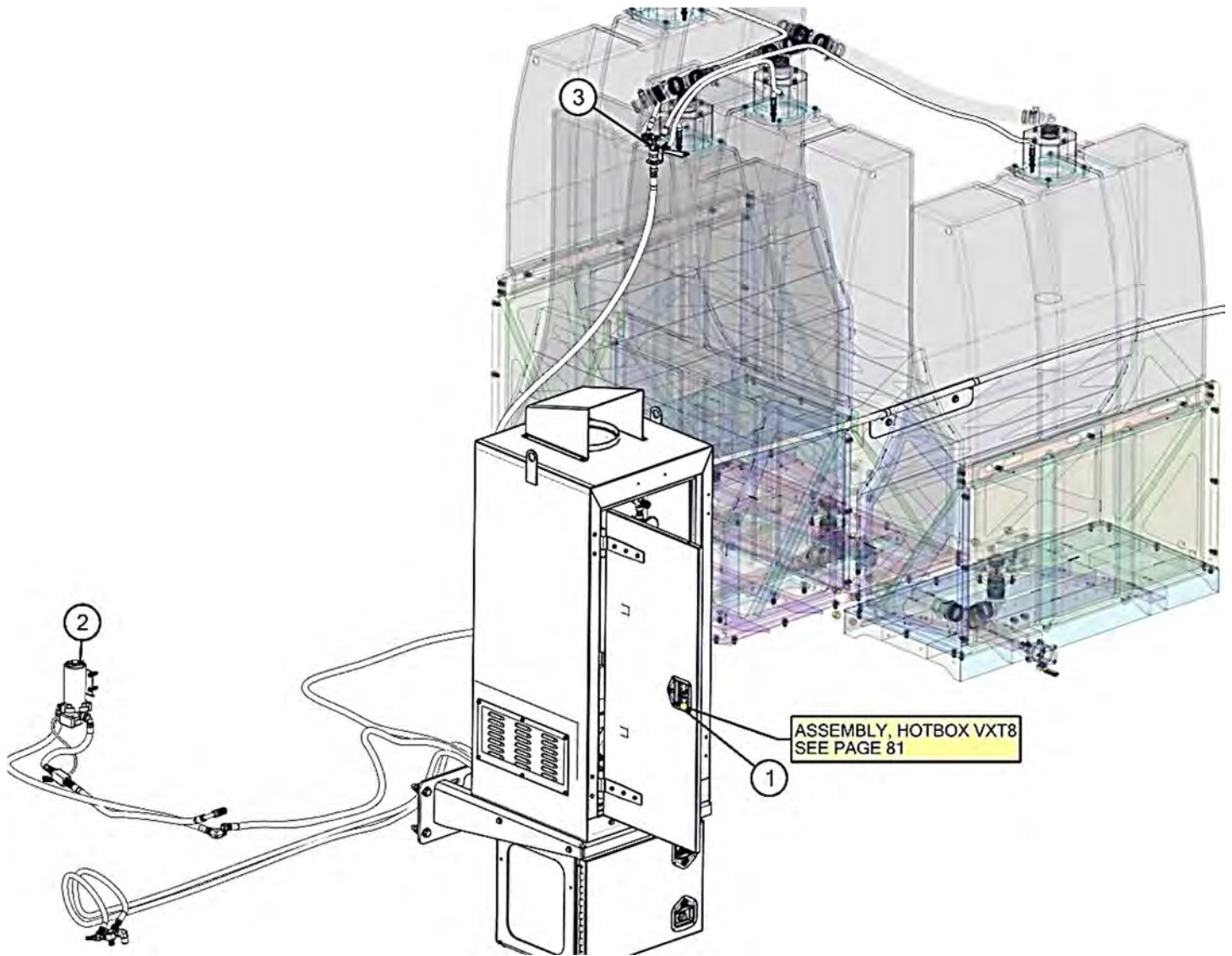
BOM ID	Qty	Name
1	1	8097071-29 UNION, 1/4 MNPT X 1/4 TUBE 200 PSI 250 DEG
2	1	8097071-30 ELBOW, HYD 1/4 FNPT
3	1	8097071-27 UNION, 1/4 CMPRSN X 1/4 MNPT
4	2	8097071-34 BOLT WHIZ LOCK 1/4-20 X 1/2 GR5
5	2	8097071-156 BOLT, HEX 8MM X 20MM GR10.9
6	2	8097071-155 WASHER, LOC 8MM
7	2	8097071-19 WASHER, FLAT 5/16 GR5
8	1	8097071-136 FILTER, BRACKET
9	2	8097071-158 BOLT, HEX 3/8-16 X 1 1/2 GR8
10	4	8097071-18 WASHER, FLAT 3/8 GR8
11	2	8097071-157 NUT, NYLOC 3/8 GR8
12	1	8097071-28 TUBE, PICK-UP MH 1/4 OD X 15 1/4 L
13	1	8097071-84 VALVE, REGULATOR 1/4
14	1	8097071-14 ELBOW, 5/16 TUBE X 1/4MNPT 250PSI 200 DEG
15	1	8097071-86 BLOWDOWN VALVE
16	1	8097071-91 REDUCER, RED 1/4 X 1/8 GAL
17	1	8097071-90 ELBOW, 1/8 MMNPT X 1/8 TUBE 200 PSI 250 DEG
18	1	8097071-89 TEE, MB 1/8 F X 1/8 F X 1/8 M
19	1	8097071-88 SWITCH, PRESS NC .5LB
20	1	8097071-16 TRANSDUCER, 200PSI 1/4NPT .5-4.5 V
21	1	8097071-97 ELBOW, HYD 90 DEG STREET REDUCING 1/8 MNPT X 1/4 FNPT
22	1	8097071-87 PLUG, 1/4 WITH ORIFICE 9/64
23	1	8097071-08 HEAD, COALESCER MH
24	1	8097071-07 COALESCER, MH 195/295
25	1	8097071-33 ORIFICE, MIN PRESS 1 1/4 X 1
26	1	8097071-32 REDUCER, RED 1 X 3/4 GAL
27	1	8097071-06 ELEMENT, OIL FILTER 8060
28	1	8097071-10 VALVE, THERMAL 3/4 3-PORT 140DEG F.
29	1	8097071-25 TEE, MBR 3/4 JIC X 3/4 JIC X 3/4 MNPT
30	1	8097071-24 NIPPLE, HYD HEX 3/4
31	1	8097071-09 HEAD, OIL FILTER 3/4 FNPT 25-PSI BY PASS
32	1	8097071-22 UNION, 3/4 MJIC X 3/4 MNPT
33	1	8097071-20 TEE, MB 3/4 F X 3/4 F X 3/4 M
34	1	8097071-21 REDUCER, RED 3/4 X 1/4 GAL
35	1	8097071-23 SENDER, TEMP B-CAN

AIR INTAKE/COMPRESSOR

VXT8 AIR COMPRESSOR ASSEMBLY



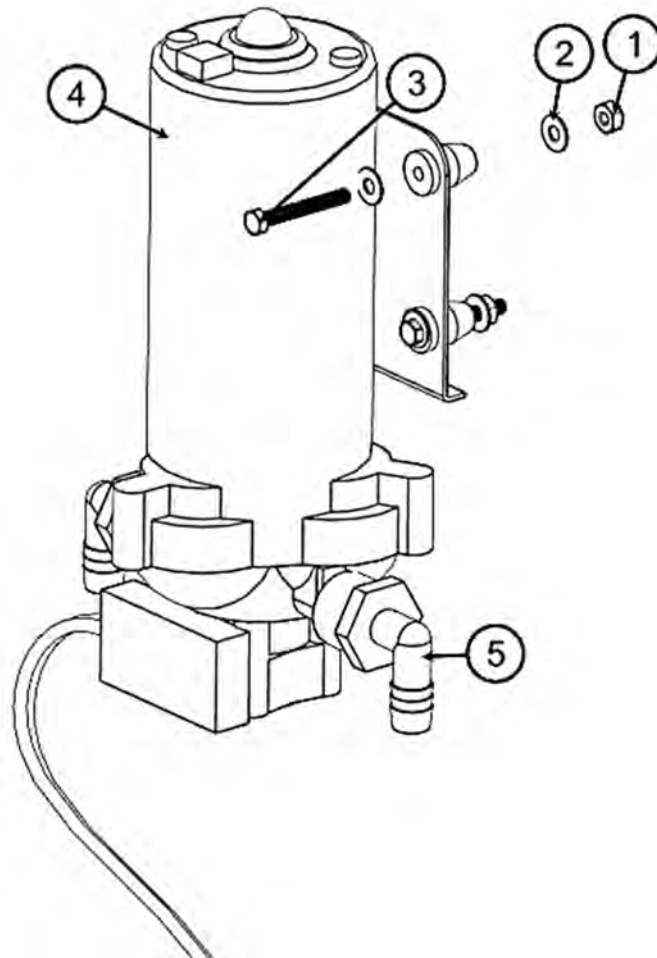
BOM ID	Qty	Name
1	1	8097071-05 AIR INTAKE
2	1	8097071-01 ASSEMBLY, PTO AIR COMPRESSOR
3	1	8097071-202 OPT, DRIVELINE KIT
4	1	8097071-137 PTO



BOM ID	Qty	Name
1	1	8097953 ASSEMBLY, HOTBOX VXT8
2	1	8097964 ASSEMBLY, RECIRC PUMP VXT8
3	1	8097965 ASSEMBLY, RECIRC HOSE KIT VXT8

RECIRC PUMP

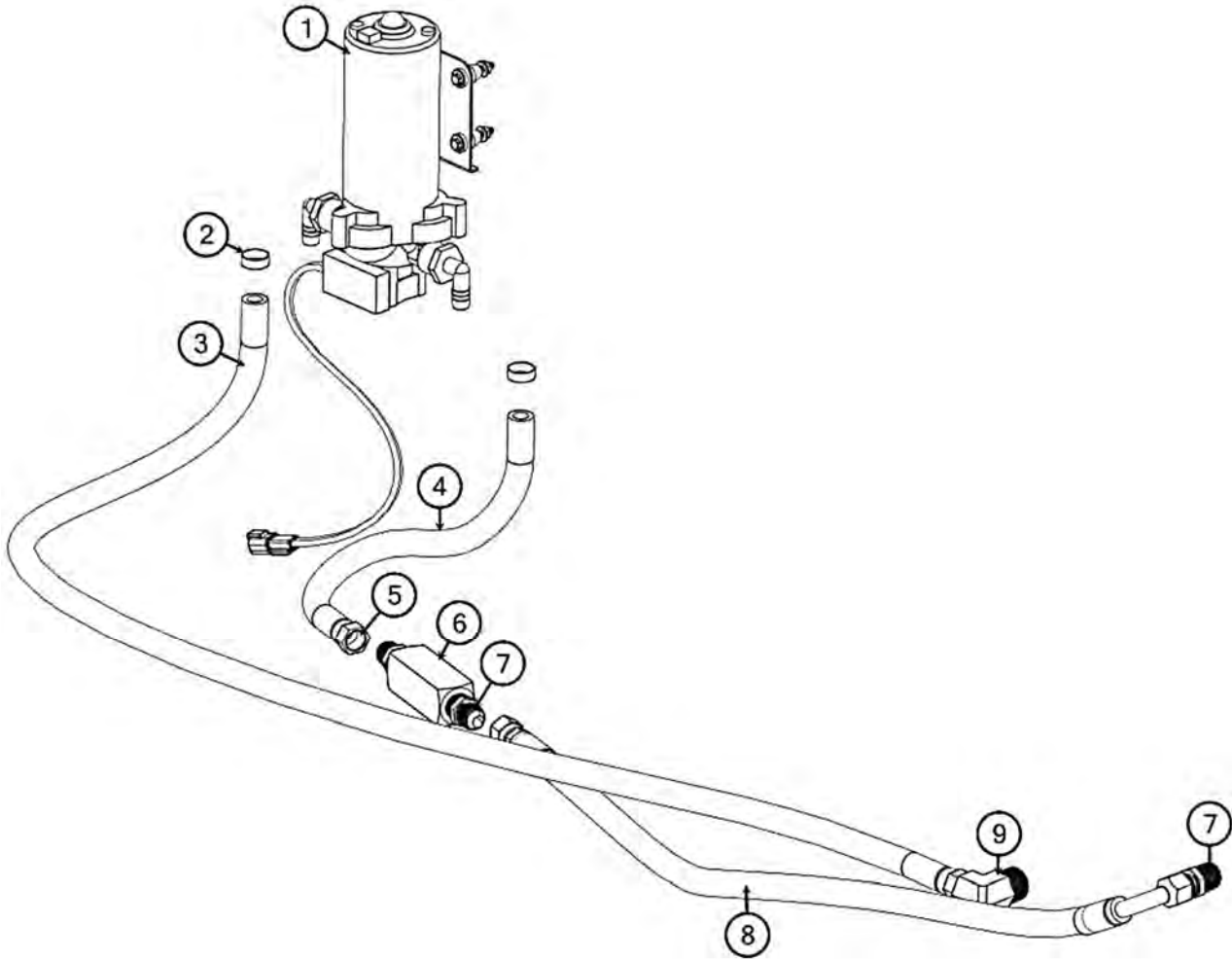
VXT8 ARCTIC PACKAGE 1 ASSEMBLY



BOM ID	Qty	Name
1	4	U210006 NUT, LOCK NY #10
2	7	U200001 WASHER FLAT #10
3	4	U002000 SCREW, HC 10-24 X 1.50 MS ZINC
4	1	90615001 PUMP WATER 2.8 GMP 10AMP
5	2	T410120 FITTING, 1/2"FP-1/2"HOSE 90 DEG

RECIRC PUMP ASSEMBLY

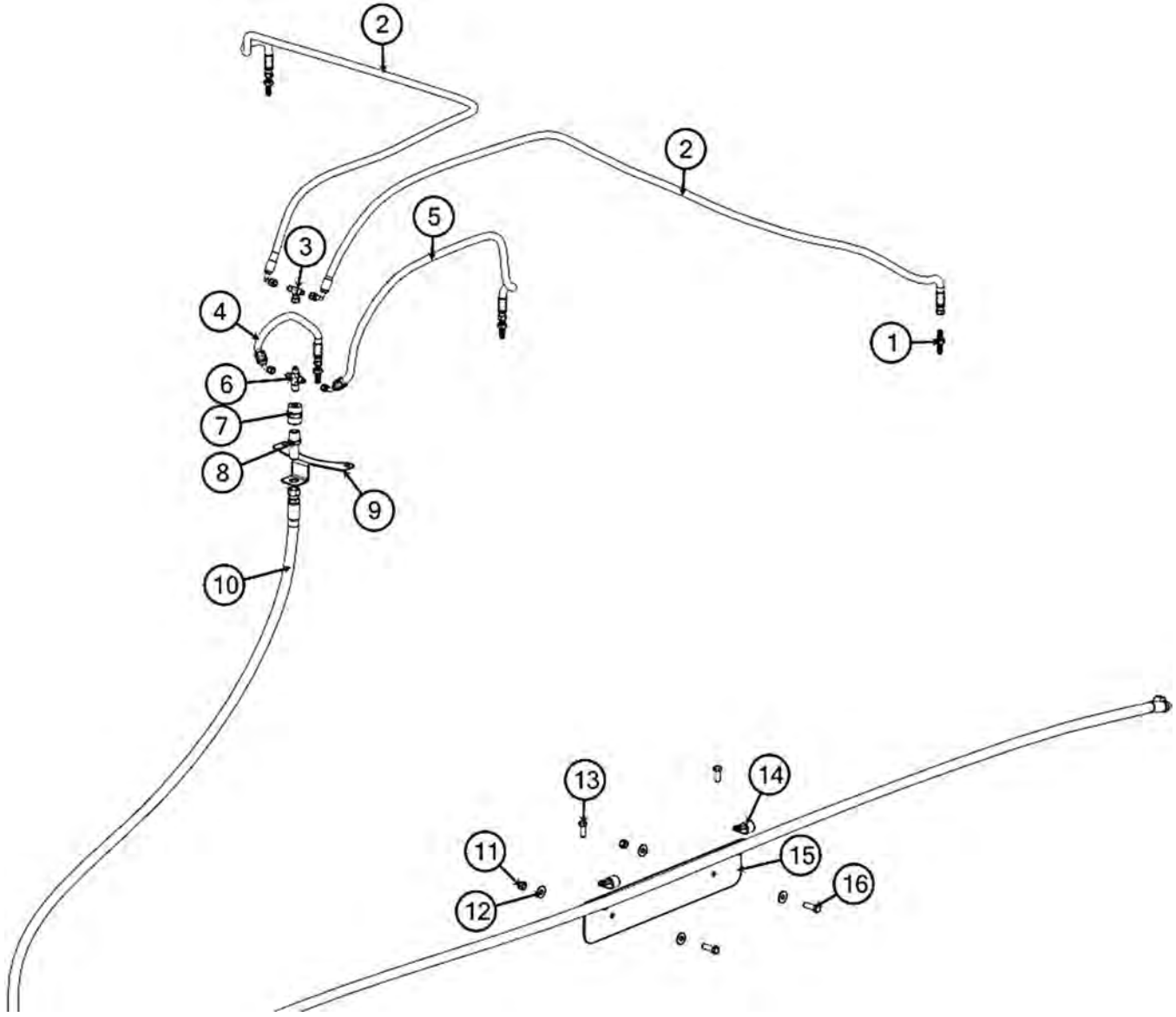
VXT8 ARCTIC PACKAGE 1 ASSEMBLY



BOM ID	Qty	Name
1	1	8098131 PUMP, RECIRC W/PIN-OUT
2	2	U800030 CLAMP, HOSE 5/16"-7/8"
3	1	8030540-054.00 HOSE, PUSH-ON 1/2 - 54"LG
4	1	8030540-016.00 HOSE, PUSH-ON 1/2 - 16"LG
5	2	8030524 FITTING, PUSH LOCK #8
6	1	2400096 VALVE, CHECK 1/2" FPT 5000PSI
7	3	T400040 UNION, 8MP-8MJ
8	1	8049327 HOSE ASSY VAC 8-36" ST-90
9	1	T401160 ELBOW, 90 3/4"MP - 1/2"MJ

HOSE KIT
ASSEMBLY

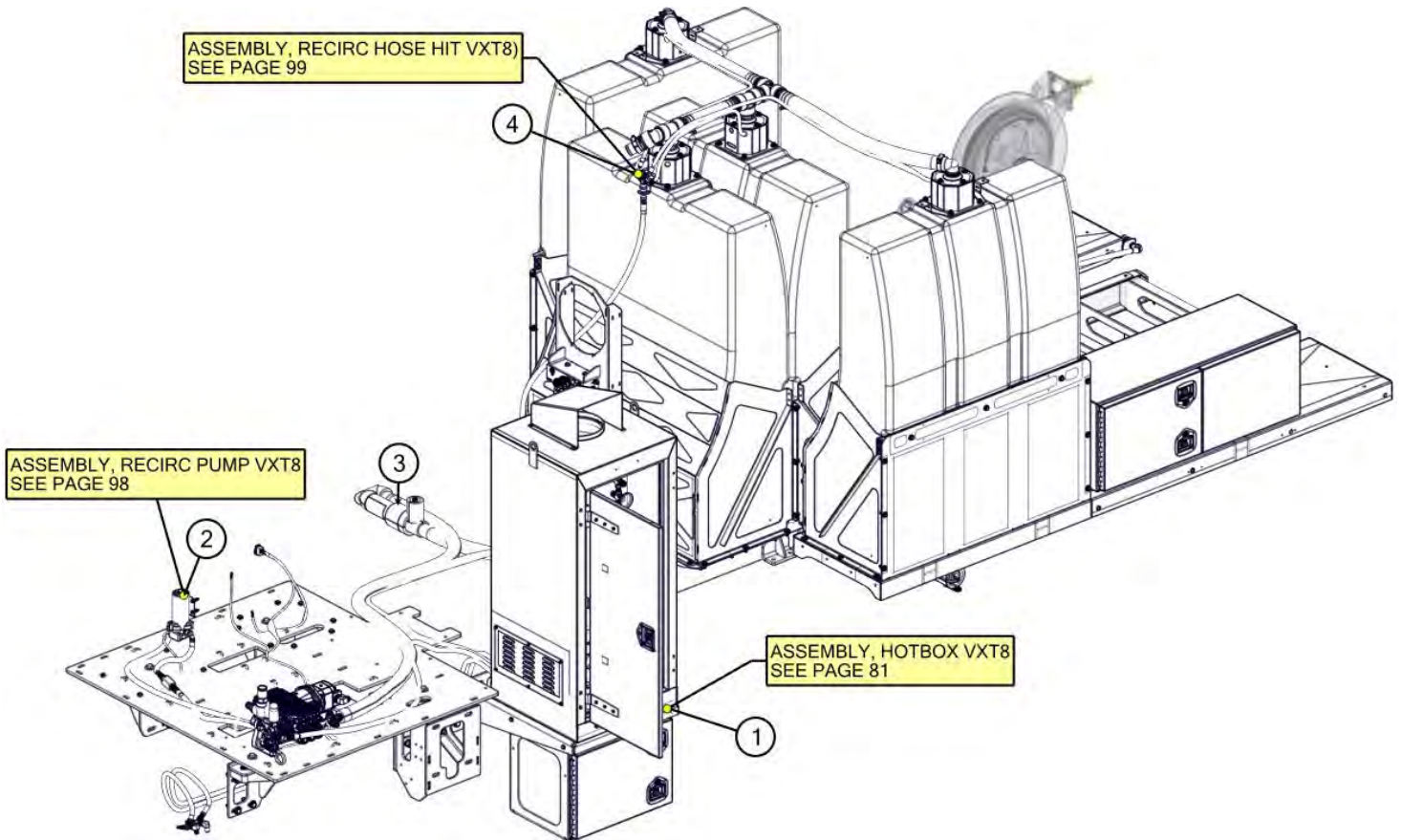
VXT8 ARCTIC PACKAGE 1
ASSEMBLY



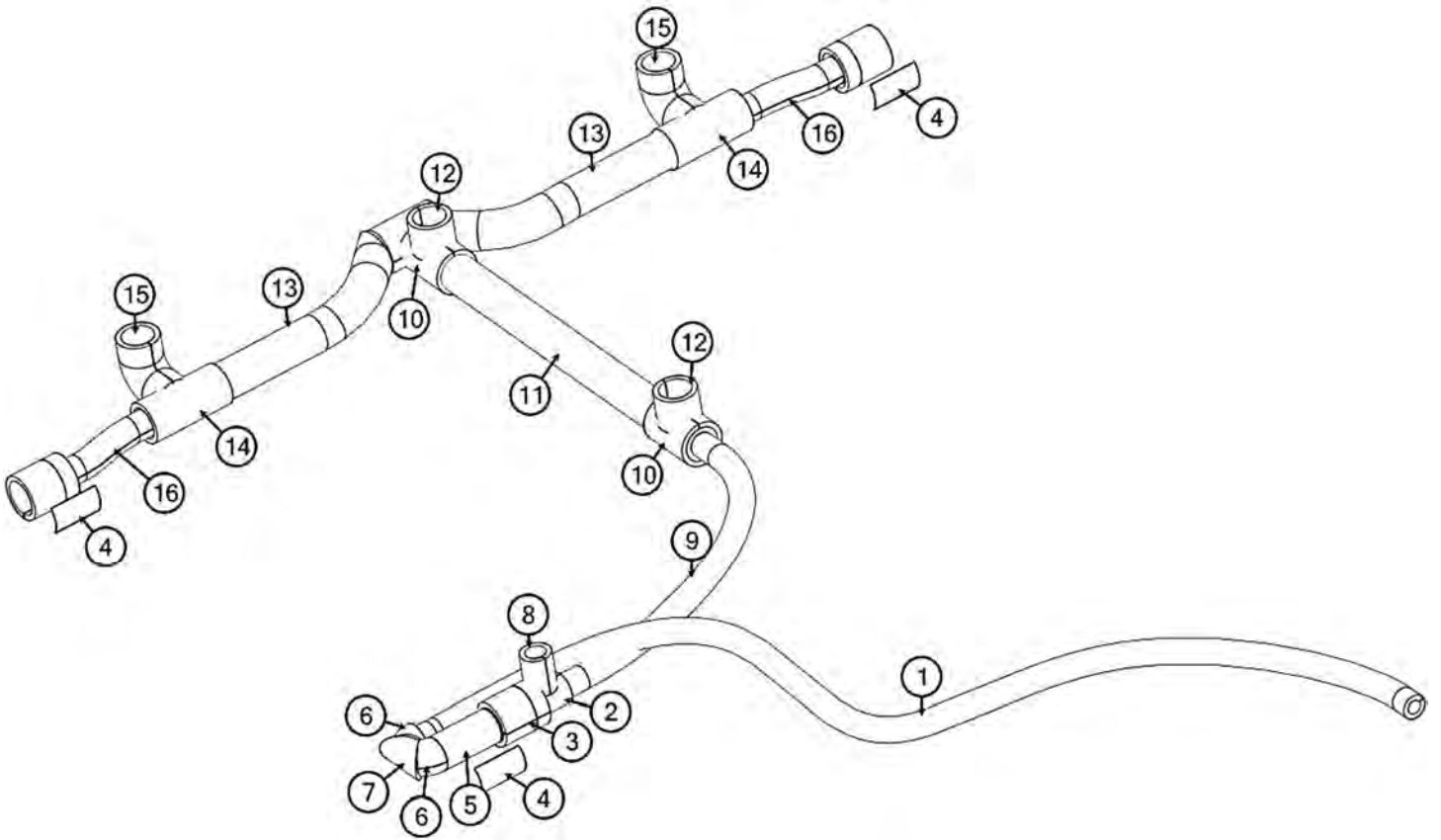
**HOSE KIT
ASSEMBLY**

**VXT8 ARCTIC PACKAGE 1
ASSEMBLY**

BOM ID	Qty	Name
1	4	T400385 BULKHEAD 4MJ-4MJ
2	2	8098312 HOSE ASSY VAC 4-75" ST-90
3	1	8098308 TEE, 4MJ - 4MJ - 4FJ
4	1	8098310 HOSE ASSY VAC 4-11" ST-45
5	1	8098311 HOSE ASSY VAC 4-34" ST-45
6	1	8098307 CROSS, 4MJ-4MP-4MJ-4MJ
7	1	8098306 REDUCER, 8FP - 4FP STRAIGHT
8	1	T400396 BULKHEAD, 8MP-8MJ
9	1	8098287 PLATE, MANIFOLD SUPPORT
10	1	8098313 HOSE ASSY VAC 8-252" ST-90
11	4	U110060 NUT, ST .375-16 ZP G2
12	6	U200060 WASHER, FLAT .375 USS ZP
13	2	U000420 SCREW, HC .375-16 X 1"
14	2	8098304 P-CLAMP, 7/8" ID
15	1	8098217 PLATE, RECIRC ROUTING
16	2	U000440 SCREW, HC .375-16 X 1.25 ZP G5



BOM ID	Qty	Name
1	1	8097953 ASSEMBLY, HOTBOX VXT8
2	1	8097964 ASSEMBLY, RECIRC PUMP VXT8
3	1	8098205 ASSEMBLY, ARCTIC 2 KIT
4	1	8097965 ASSEMBLY, RECIRC HOSE HIT VXT8



INSULATION & DECALS

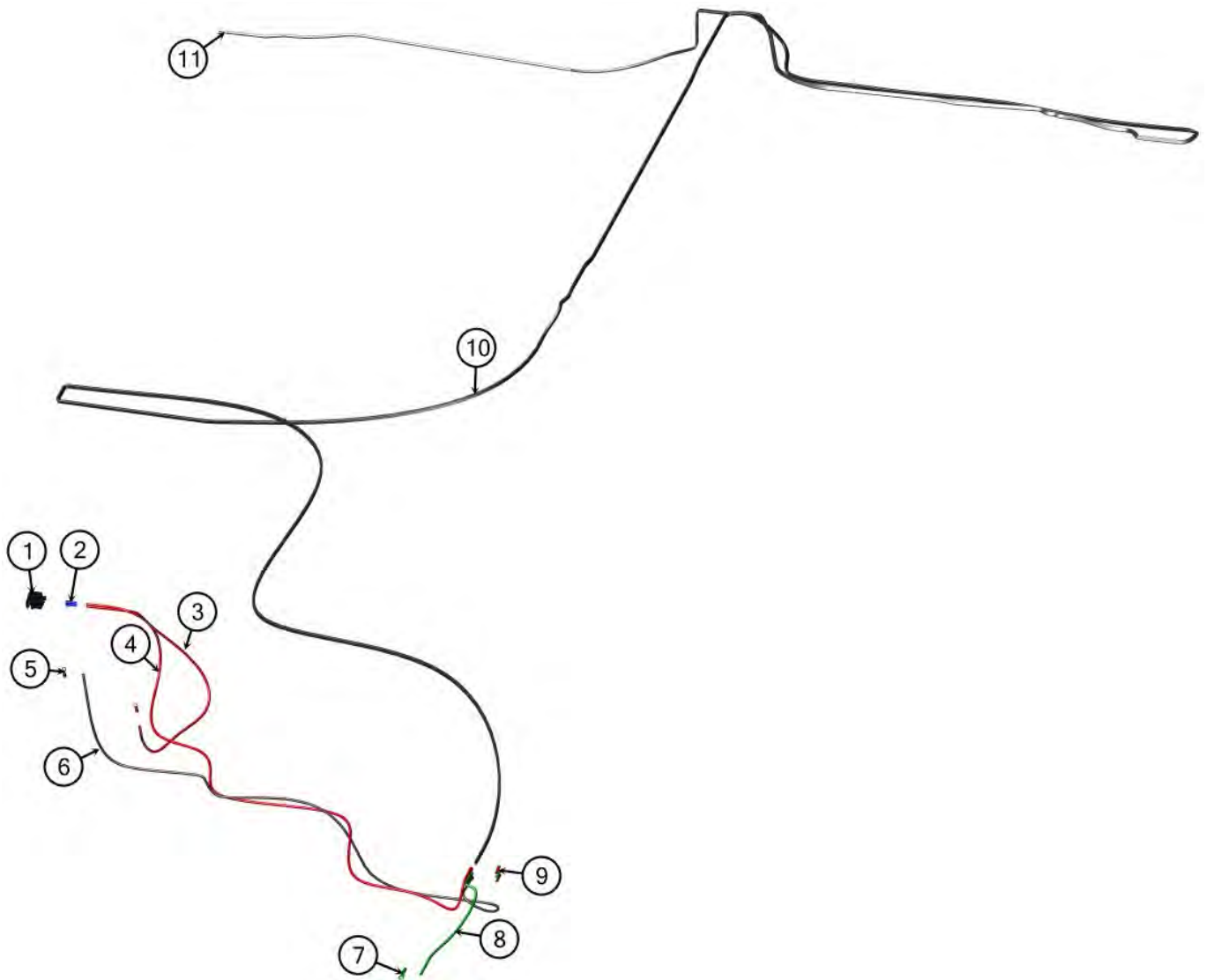
**VXT8 ARCTIC PACKAGE 2
ASSEMBLY**

BOM ID	Qty	Name
1	1	8098201-003 INSULATION, 1" INSUL-LOCK 110"LG
2	1	8098201-001 INSULATION, 1.50" INSUL-LOCK 4.50"LG
3	3	8098192-005 INSULATION, 3" INSUL-LOCK 4"LG
4	3	8097110 DECAL, CAUTION LABEL HEAT TRACE
5	1	8097109-020 INSULATION, 2" INSUL-LOCK 6"LG
6	2	8097109-021 INSULATION, 2" INSUL-LOCK 2"LG
7	1	8097109-022 INSULATION, 2" INSUL-LOCK 5.75"LG
8	1	8098201-002 INSULATION, 1.50" INSUL-LOCK 4"LG
9	1	8098200-001 INSULATION, 1" INSUL-LOCK 40.75"LG
10	2	8098192-003 INSULATION, 3" INSUL-LOCK 6"LG
11	1	8098188-003 INSULATION, 2.25" INSUL-LOCK 33"LG
12	2	8098191-002 INSULATION, 2.75" INSUL-LOCK 3.62"LG
13	2	8098188-001 INSULATION, 2.25" INSUL-LOCK 26.38"LG
14	2	8098191-010 INSULATION, 2.75" INSUL-LOCK 8.62"LG
15	2	8098191-001 INSULATION, 2.75" INSUL-LOCK 8.62"LG
16	2	8098198-001 INSULATION, 1.25" INSUL-LOCK 11"LG

*NOT SHOWN
8097106 - TAPE, HEAT TRACE FIBERGLASS

WIRING

VXT8 ARCTIC PACKAGE 2 ASSEMBLY



BOM ID	Qty	Name
1	1	X000270 ROCKER, SWITCH SPST ON-OFF
2	5	X600001 TERMINAL 14-16 GA FEMALE PUSH
3	1	X100020-036.00 WIRE, #12 STRAND RED 36"LG
4	1	X100020-084.00 WIRE, #12 STRAND RED 84"LG
5	2	X600058 TERMINAL, RING 12-10 .188 HOLE
6	1	X100040-072.00 WIRE, #12 STRAND BLACK 72"LG
7	1	X600065 TERMINAL, RING 16-14 .375 HOLE
8	1	X100090-020.00 WIRE, #14 STRAND GREEN 20"LG
9	3	X600019 TERMINAL, M. DISC 12-10
10	1	8097105-011 CABLE, HEAT TRACE 5 WATT 360"LG
11	1	8097107 KIT, HEATING CABLE TERMINATION

PAGE LEFT BLANK

WARRANTY RETURN GOODS POLICY

LIMITED WARRANTY

The Manufacturer warrants its products to be free from defects in material and workmanship for a period of twelve months from the date of shipment from the factory. The Manufacturer shall not be responsible for any damage resulting to or caused by its products by reason of installation, improper storage, unauthorized service, alteration of the products, neglect or abuse, or use of the product in a manner inconsistent with its design. The warranty does not extend to any component parts not manufactured by Manufacturer; however, Manufacturer's warranty herein shall not limit any warranties made by manufacturers of component parts which extend to Buyer.

Claims for defects in material and workmanship shall be made in writing to Manufacturer within ten days of discovery of defect. Manufacturer may either send a service representative or have the product returned to its factory at Buyer's expense for inspection. Upon notification of defect, Manufacturer will issue a return goods authorization number to Buyer. The return goods authorization number must accompany the product returned. If judged by the Manufacturer to be defective in material or workmanship, the product will be replaced or repaired at the option of the Manufacturer, free from all charges except authorized transportation. Buyer shall be responsible for all maintenance services consisting of lubrication and cleaning of equipment, replacing expandable parts, making minor adjustments, and performing operating checks, all in accordance with procedures outlined in Manufacturer's maintenance literature.

THE FOREGOING WARRANTY IS IN LIEU OF ALL OTHER WARRANTIES AND NO REPRESENTATIONS, GUARANTEES, OR WARRANTIES, EXPRESS OR IMPLIED, (INCLUDING BUT NOT LIMITED TO A WARRANTY OF MERCHANTABILITY OR FITNESS FOR A PARTICULAR PURPOSE), ARE MADE BY THE MANUFACTURER IN CONNECTION WITH THE MANUFACTURE OR SALE OF ITS PRODUCTS. NO EMPLOYEE, DISTRIBUTOR, OR REPRESENTATIVE IS AUTHORIZED TO CHANGE THIS WARRANTY ON BEHALF OF MANUFACTURER.

THE REMEDIES OF BUYER SET FORTH HEREIN ARE EXCLUSIVE AND ARE IN LIEU OF ALL OTHER REMEDIES. THE LIABILITY OF MANUFACTURER WHETHER IN CONTRACT, TORT, UNDER ANY WARRANTY, OR

OTHERWISE SHALL NOT EXTEND BEYOND ITS OBLIGATION TO REPAIR OR REPLACE, AT ITS OPTION ANY PRODUCT OR PART FOUND BY MANUFACTURER TO BE DEFECTIVE IN MATERIAL OR WORKMANSHIP. MANUFACTURER SHALL NOT BE LIABLE FOR COST OF INSTALLATION AND/OR REMOVAL OR BE RESPONSIBLE FOR DIRECT, INDIRECT, SPECIAL OR CONSEQUENTIAL DAMAGES OF ANY NATURE.

GENERAL RETURNS OF MERCHANDISE

1. All returns must be pre-authorized
 - A. Please call our parts department for an RGA number
 - B. Please include RGA number on the outside of box
 - C. Include any required paper work or special instructions
 - D. Items returned without an RGA number will not be accepted
2. All returns are subject to a 20% restock charge.
3. Special items are non-returnable
 - A. Non-stock parts
 - B. Custom parts
 - C. If you are unsure about a parts status when ordering, ask your McLaughlin representative if the item fits on of the above conditions.
4. Items must be returned within thirty days of original order date.
5. Items not returned within 30 days from the date of RGA is issued will not be accepted.
6. The item(s) must be in new condition. Used item(s) are not returnable.

FOR SCHEMATICS SEE: www.mclaughlinunderground

**CALIFORNIA
Proposition 65 Warning**

Diesel engine exhaust and some of its constituents are known to the State of California to cause cancer, birth defects, and other reproductive harm.

**CALIFORNIA
Proposition 65 Warning**

Battery posts, terminals, and related accessories contain lead and lead compounds, chemicals known to the State of California to cause cancer and reproductive harm. Wash hands after handling.