



Vermeer

MV Solutions™

2006 Perimeter Road. Greenville, SC 29605

Toll Free: 800/435-9340 – Phone: 864/277-5870

Fax: 864/235-9661 – Website address: www.mclaughlinunderground

Email address: mmole@mightymole.com

PARTS MANUAL

ECO200-1600

E850619

SERIAL NUMBER 7HWS240A4KG000101 TO PRESENT

7/23/2019

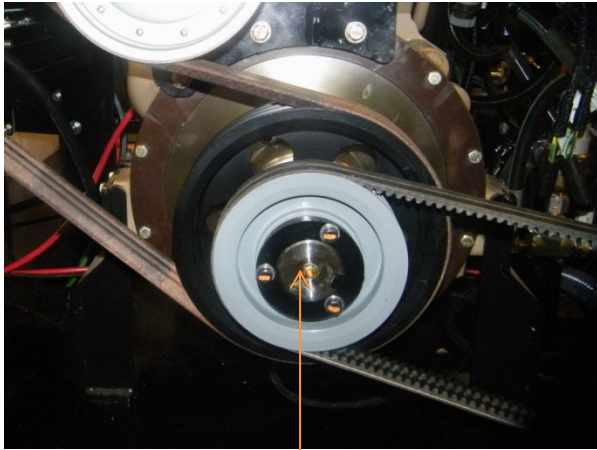
2020 by McLaughlin Group, Inc. REV 2

All rights reserved. No part of this manual may be reproduced in any form, or by any means without prior written permission of McLaughlin Group, Inc.

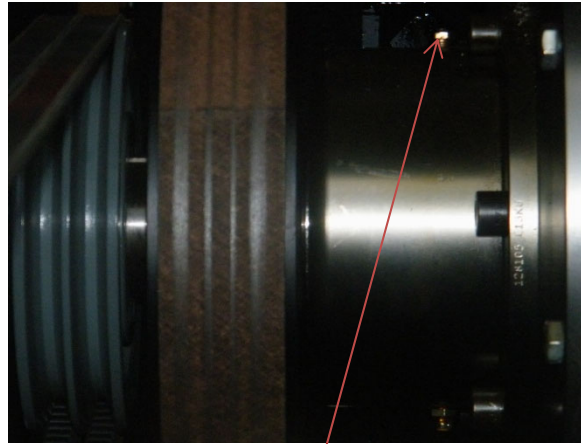
Table of Contents

DECAL LAYOUT	6
SKID ASSEMBLY.....	13
REMOTE DRAIN ASSEMBLY.....	17
ENCLOSURE ASSEMBLY	20
CONTROL BOX ASSEMBLY.....	21
ENGINE ASSEMBLY	23
BLOWER ASSEMBLY.....	25
WATER PUMP ASSEMBLY.....	27
HYDRAULIC PUMP ASSEMBLY.....	29
TANK & DOOR ASSEMBLY.....	33
HYDRAULIC ARM ASSEMBLY.....	35
FILTRATION ASSEMBLY	37
WATER TANK ASSEMBLY.....	39
WATER REEL ASSEMBLY.....	41
VAC TOOLS ASSEMBLY.....	43
BOOM TURRET ASSEMBLY.....	45
BOOM PIVOT ARM ASSEMBLY.....	48
BOOM EXTENSION ARM ASSEMBLY.....	49
HOTBOX ASSEMBLY	50

GREASE GUN LUBE POINTS



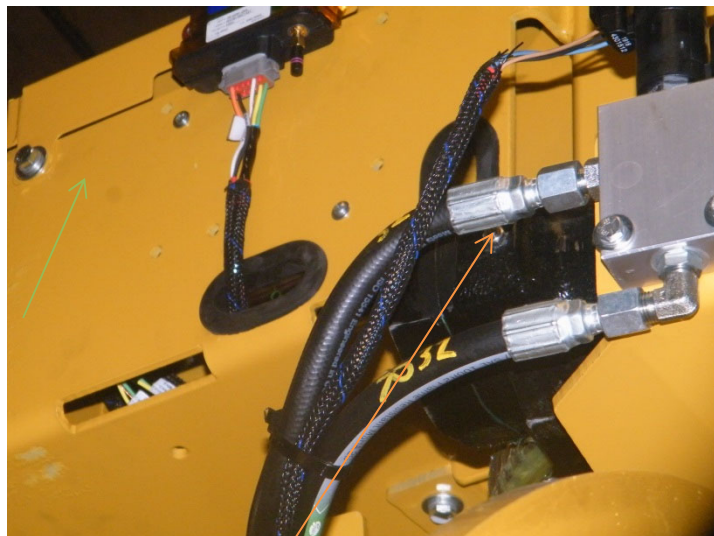
ENGINE GREASE POINT



ENGINE HUB GREASE POINT



TANK PIVOT TUBE GREASE POINT



BOOM GREASE POINT

⚠ WARNING



ENTANGLEMENT HAZARD
Rotating pulleys and belts could cause serious injury.
Do not operate without guards in place.

J200445

J200445



⚠ WARNING



Moving parts.
Death or serious injury may result.
Stop engine before servicing.

J200425

J200425

	<p>⚠ WARNING</p> <p>Flammable fumes. Fumes may explode or catch fire. Keep away from sparks and open flame.</p>
	<p>Battery acid. Battery acid can burn skin and eyes. Protect face, hands and body when servicing.</p>

J200430

⚠ WARNING

Electricity, or Gas
Explosion Can Kill

Locate Utilities
Call 811

J200210

⚠ WARNING

Read manual.
Death or serious injury may result.
Read and understand
all safety and operating instructions
BEFORE operating any equipment.

J200420

J200420

⚠ WARNING

Hot fluid
under pressure.
Hot coolant and steam
can burn or scald.
NEVER open when hot.

J200435



⚠ WARNING

ENTANGLEMENT HAZARD
Rotating pulleys and belts
could cause serious injury.
Do not operate
without guards in place.

J200445

J200445

INSTRUCTIONS

DUMP PROCEDURE HYDRAULIC DOOR

1. Open gate valve on tank inlet - tank will not build vacuum
2. Click FULL TANK OVERRIDE switch to ON position
3. Start engine
4. Open door gate valve to drain liquids
5. Hold DOOR OPEN switch to open door
6. Hold TANK RAISE switch to raise tank
7. After dumping, hold TANK LOWER switch down to lower tank and DOOR CLOSE switch to close door
8. Shut off engine

J200481

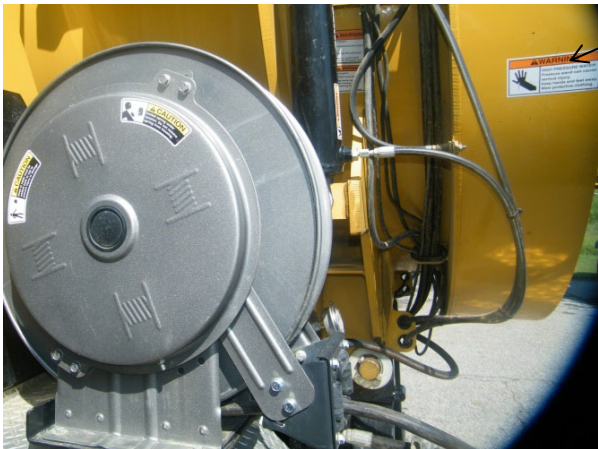
J200481

⚠ WARNING

Moving parts.
Death or serious injury
may result.
Stop engine
before servicing.

J200425

J200425



⚠ WARNING	
	<p>HIGH PRESSURE WATER Pressure wand can cause serious injury. Keep hands and feet away. Wear protective clothing.</p>

J200450



⚠ WARNING	
<p>Flammable liquid. Fuel and fumes can explode or catch fire. Turn off engine BEFORE fueling. Wipe up spilled fuel immediately.</p>	

J200440



	⚠ DANGER
	<p>CRUSH HAZARD.</p> <ul style="list-style-type: none"> • Moving clamp can crush and cut. • DO NOT operate with access cover removed.

J200411

⚠ DANGER	
<p>ELECTROCUTION HAZARD Death or serious injury will result if boom approaches or touches overhead electrical power lines. Keep boom away from overhead utilities. Use caution when operating boom.</p>	

J200403

DECAL LAYOUT



	WARNING
	<p>FIRE OR EXPLOSION POSSIBLE.</p> <p>Do not vacuum flammable or combustible substances.</p> <p style="text-align: right;"><small>J200473</small></p>

J200473

INSTRUCTIONS
<p style="text-align: center;">DUMP PROCEDURE HYDRAULIC DOOR</p> <ol style="list-style-type: none"> 1. Open gate valve on tank inlet - tank will not build vacuum 2. Click FULL TANK OVERRIDE switch to ON position 3. Start engine 4. Open door gate valve to drain liquids 5. Hold DOOR OPEN switch to open door 6. Hold TANK RAISE switch to raise tank 7. After dumping, hold TANK LOWER switch down to lower tank and DOOR CLOSE switch to close door 8. Shut off engine <p style="text-align: right;"><small>J200481</small></p>

J200481

DANGER

<p>EXPLOSION HAZARD! CONTENTS UNDER PRESSURE!</p> <p>Relieve tank pressure before opening.</p> <p>Failure to comply will result in death or serious injury.</p> <p style="text-align: right;"><small>J200423 rev.1</small></p>

J200423

DANGER

<p>Crushing weight.</p> <p>Spoil and door will cause death or serious injury.</p> <p>Unlock door only under vacuum.</p> <p>Stay away from door when dumping.</p>

J200410

	WARNING
	<p>Pinch point.</p> <p>Serious injury may result.</p> <p>Keep hands clear when closing door or lowering tank.</p> <p style="text-align: right;"><small>J200455</small></p>

J200455



DANGER

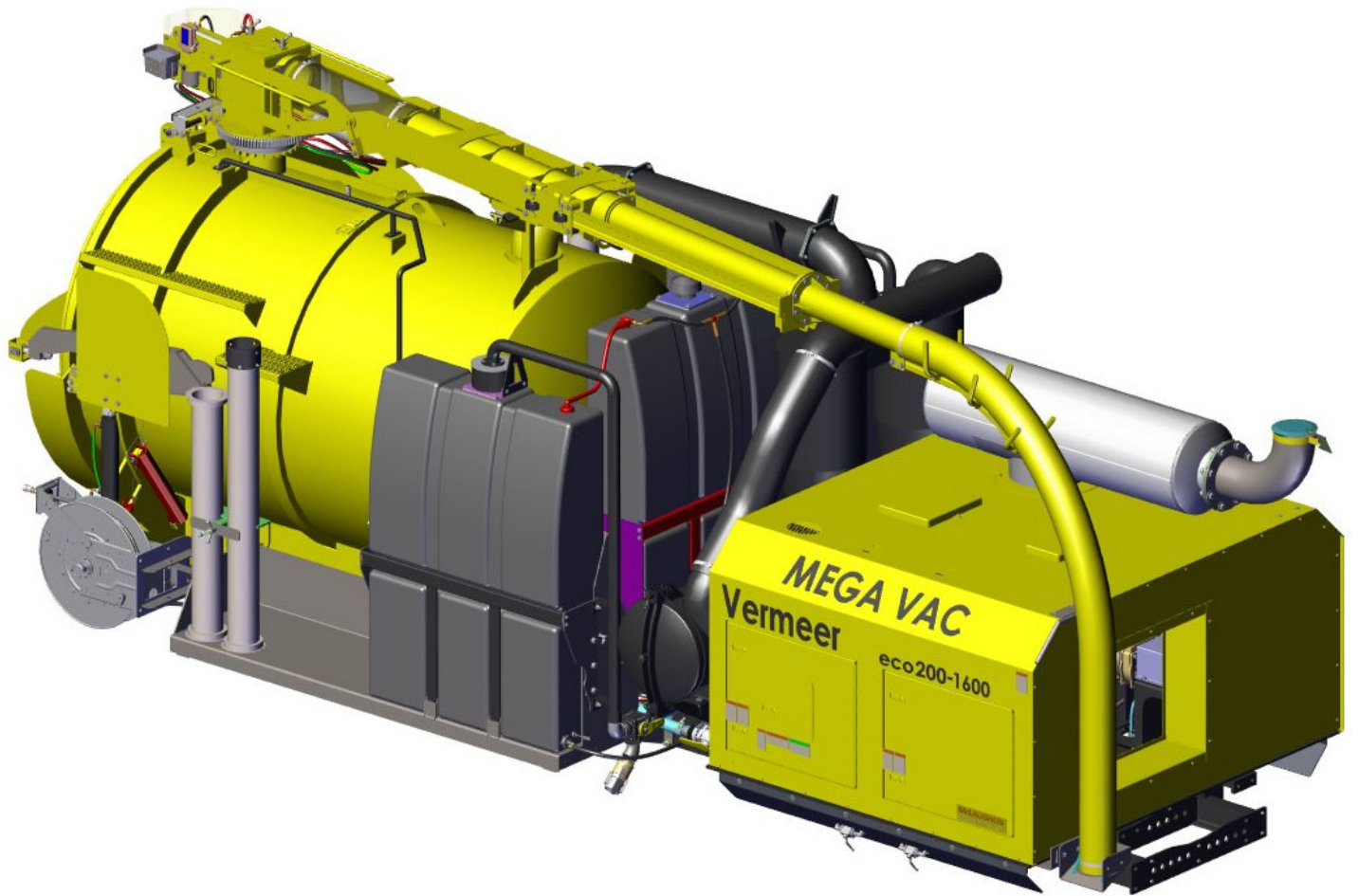
<p>SUFFOCATION HAZARD.</p> <p>Vacuum hoses will cause death or serious injury.</p> <p>Keep hoses and tools away from face and body.</p>

J200415

	WARNING
	<p>CRUSHING WEIGHT</p> <p>DEATH OR SERIOUS INJURY COULD RESULT</p> <p>EMPTY TANK BEFORE SERVICING</p> <p>ALWAYS INSTALL SAFETY BAR WHEN WORKING ON RAISED TANK</p> <p style="text-align: right;"><small>J200458</small></p>

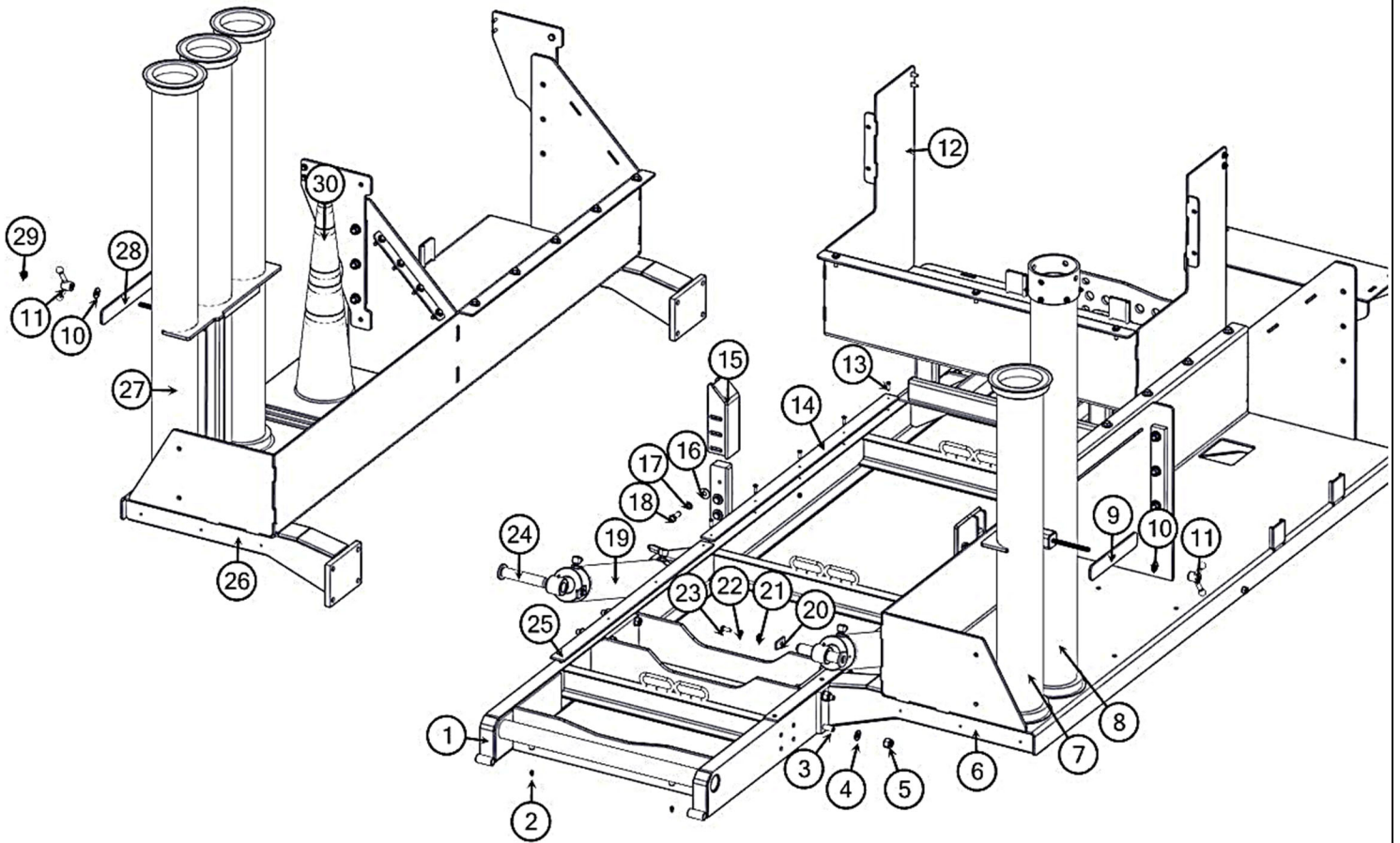
J200458

PAGE LEFT BLANK



PAGE LEFT BLANK

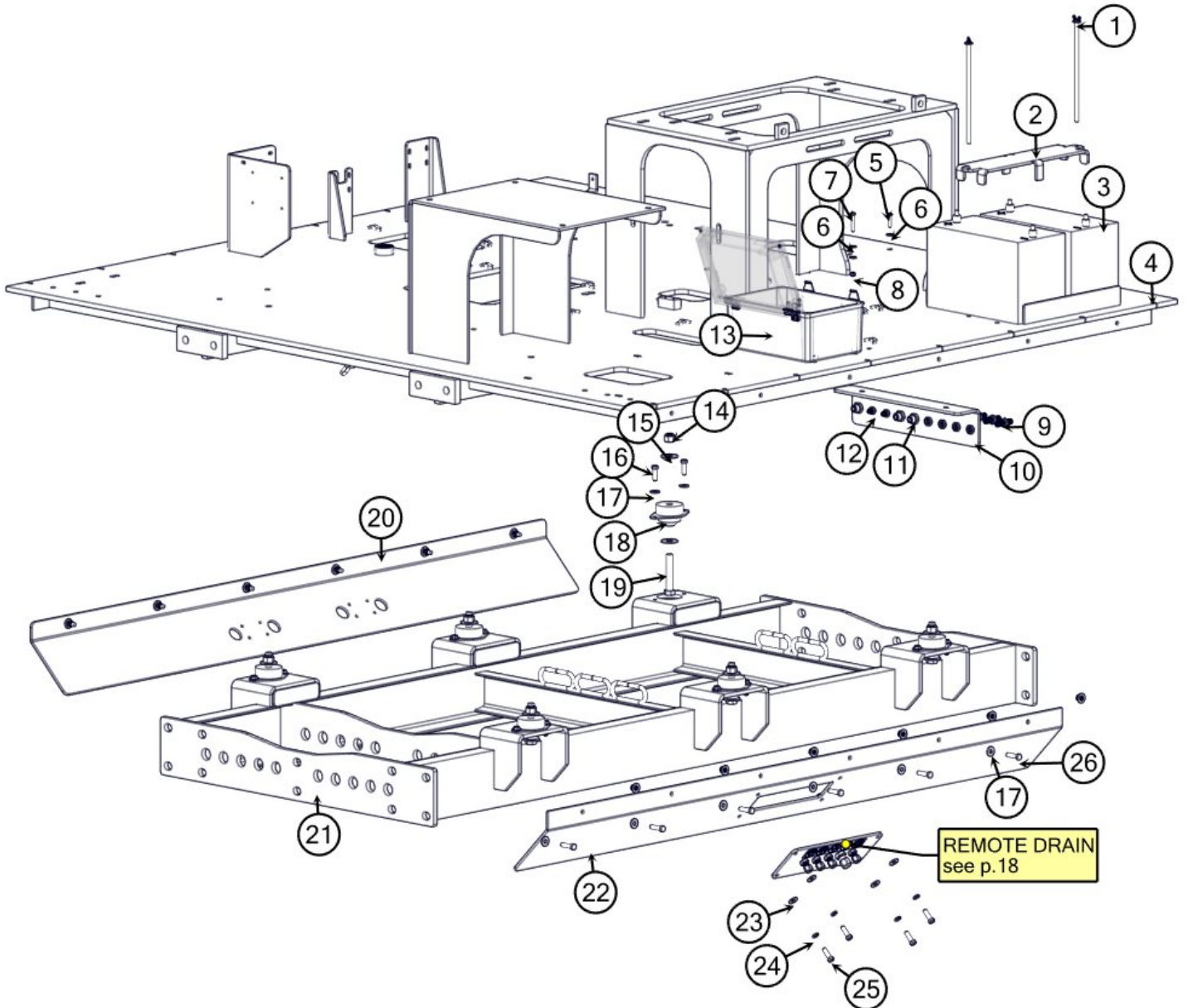
ECO200 SPOIL TANK SKID ASSEMBLY



ECO200 SPOIL TANK SKID ASSEMBLY

BOM ID	Qty	Name
1	1	8092682 WELDMENT, SKID
2	2	T500030 FITTING, GREASE.125 NPT STR
3	16	U001334 SCREW, HEX FL .625-11 X 5.00 GR8
4	28	U200150 WASHER FLAT .625 ZP SAE HARD
5	16	U120143 NUT, LOCK .625-11 NY ZP G8 HEAVY
6	1	8096087 WELDMENT, SADDLE TANK RIGHT
7	1	8096152 TUBE, 6" ALUMINUM 48"LG
8	1	8093709 ASSEMBLY, TOOL SUCTION 6"
9	1	8096145 PLATE, BOOM TOOL STORAGE
10	2	U200100 WASHER FLAT .500 ZP
11	2	8041594 HANDLE, WING REV FLOW CYC/FILTE
12	1	8096085 WELDMENT, WATER TANK FRAME CENTER
13	18	U030017 SCREW, SFH .250-20 X 1.00 ZP
14	2	8093839 STRIP, PLASTIC SKID/TANK CONTACT 1
15	2	8092998 WELDMENT, TANK GUIDE HEAVY
16	11	U200100 WASHER FLAT .500 ZP
17	12	U210100 WASHER LOCK .500 ZP
18	12	U000840 SCREW, HC .500-13 X 1.50 ZP G5
19	2	8044825 CYLINDER, HYD 4"X20
20	4	8091173 PIN RETENTION PLATE
21	4	U200060 WASHER FLAT .375 ZP
22	4	U210060 WASHER LOCK .375 ZP
23	4	U000420 SCREW, HC .375-16 X 1.00 ZP G5
24	4	8094489 WELDMENT, TANK PIVOT PIN
25	2	8093840 STRIP, PLASTIC SKID/TANK CONTACT 2
26	1	8096086 WELDMENT, WATER TANK FRAME LH SIDE
27	3	8092942 TUBE, 6" ALUMINUM 60"LG
28	1	8096544 PLATE, TUBE STORAGE RETAINER
29	1	U160018 NUT, LOCK .500-13 NY ZP
30	3	8096324 CONE, TRAFFIC 28"

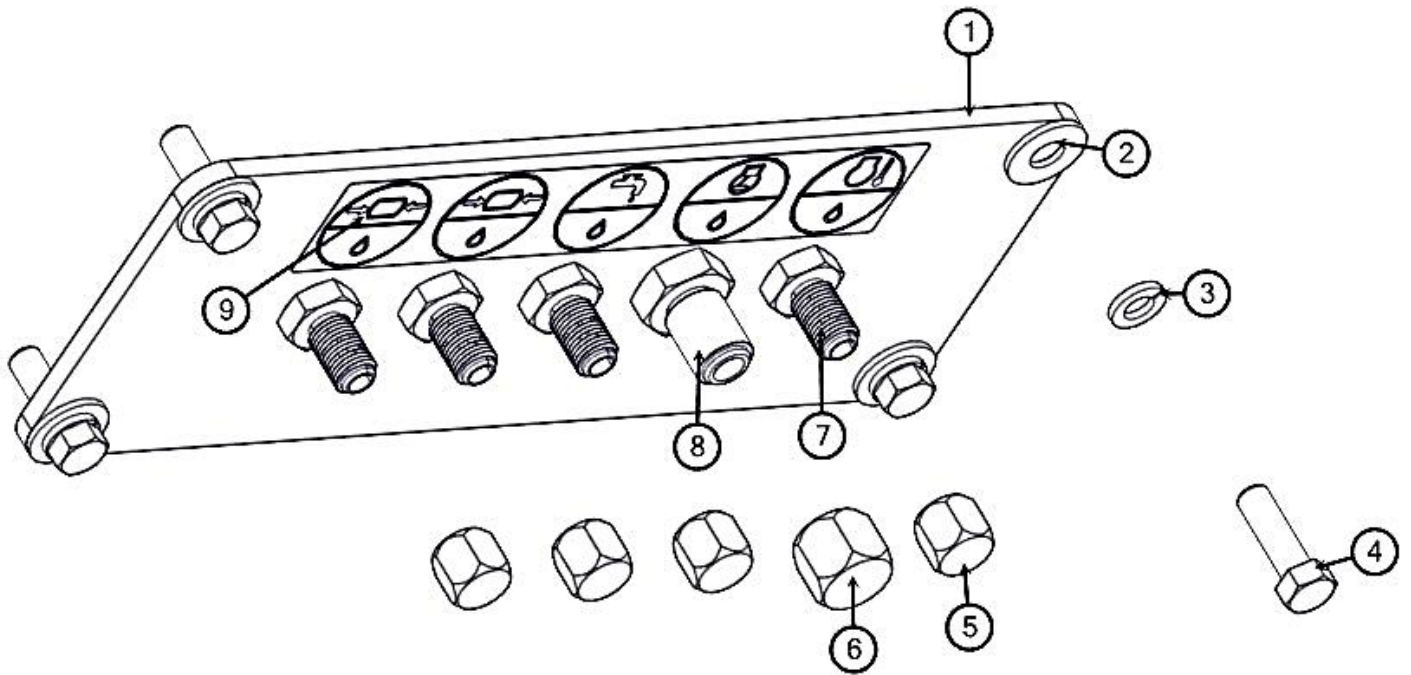
ECO200 POWERPACK SKID ASSEMBLY



ECO200 POWERPACK SKID ASSEMBLY

BOM ID	Qty	Name
1	2	8043742 BATTERY ROD HOLD DOWN VK
2	1	8092857 PLATE, DUAL BATTERY HOLD DOWN
3	2	X400050 BATTERY, 31-XHD WORKAHOLIC
4	1	8097015 WELDMENT, ENGINE PLATE ECO200
5	2	U000080 SCREW, HC .250-20 X 1.25 ZP G5
6	12	U200020 WASHER FLAT .250 ZP
7	4	U000110 SCREW, HC .250-20 X 1.75 ZP G5
8	6	U120000 NUT, LOCK NY .250-20 ZP G2
9	4	T400391 BULKHEAD 6MJ_6MJ
10	1	8094275 PLATE, HOSE CONNECTIONS
11	3	T400387 BULKHEAD 8MJ_8MJ
12	2	T400385 BULKHEAD, 1/4" MJ X 1/4" MJ
13	1	8094271 ENCLOSURE, TOOL BOX
14	6	U120020 NUT, LOCK NY, .625-11 ZP G2
15	12	U200140 WASHER FLAT .625 ZP
16	12	U000440 SCREW, HC .375-16 X 1.25 ZP G5
17	48	U200060 WASHER FLAT .375 ZP
18	6	8094547 ISOLATOR 1200 LBS
19	6	U001300 SCREW, HC .625-11 X 3.75 ZP G5
20	1	8091965 ENCLOSURE SKIRT VX200
21	1	8091957 WELDMENT, SKID VSK2000
22	1	8092832 WELDMENT, SKIRT DRAIN PANEL
23	4	U200060 WASHER FLAT .375 ZP
24	4	U210060 WASHER LOCK .375 ZP
25	4	U000440 SCREW, HC .375-16 X 1.25 ZP G5
26	12	U000460 SCREW, HC .375-16 X 1.50 ZP G5

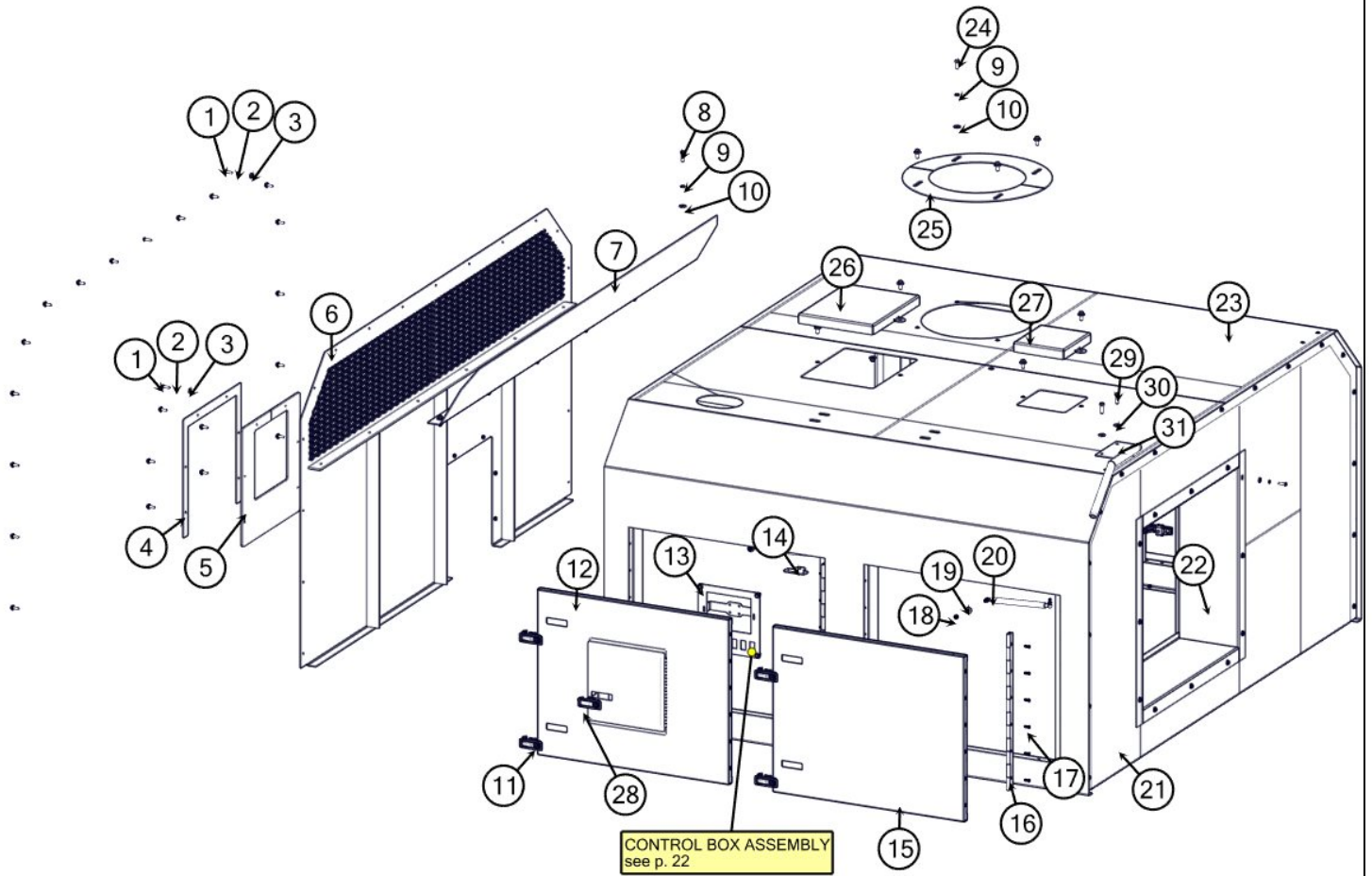
ECO200 REMOTE DRAIN ASSEMBLY



**ECO200 REMOTE DRAIN
ASSEMBLY**

BOM ID	Qty	Name
1	1	8092829 DRAIN PLATE VX200
2	4	U200060 WASHER, FLAT .375 ZP
3	4	U210060 WASHER, LOCK .375 ZP
4	4	U000440 SCREW, HC .375-16 X 1.25 ZP G5
5	4	T405203 CAP, 3/8"FJIC HEX HEAD
6	1	T405205 CAP, 1/2"FJIC HEX HEAD
7	4	T400391 BULKHEAD 6MJ_6MJ
8	1	T400387 BULKHEAD 8MJ_8MJ
9	1	J200032 DECAL, REMOTE DRAIN

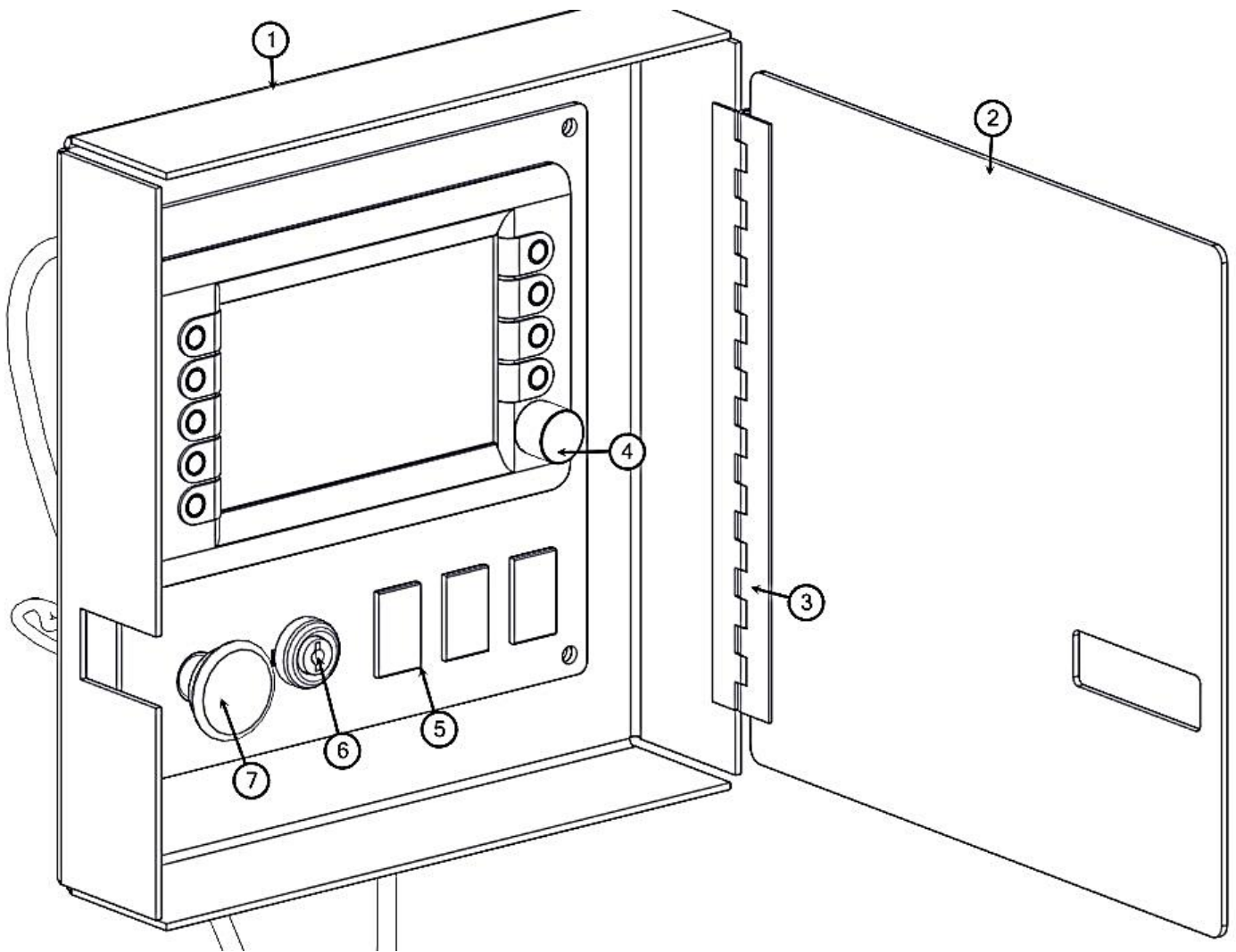
ECO200 ENCLOSURE ASSEMBLY



ECO200 ENCLOSURE ASSEMBLY

BOM ID	Qty	Name
1	56	U000060 SCREW, HC .250-20 X 1.00 ZP G5
2	56	U210020 WASHER LOCK .250 ZP
3	92	U200020 WASHER FLAT .250 ZP
4	1	8093100 PLATE, BLOWER AG SEAL
5	1	8093760 BLOWER AG HOSE SEAL
6	1	8092445 REAR ENCLOSURE PANEL WELDMENT
7	1	8092198 SOUND DIFFUSER
8	6	U000440 SCREW, HC .375-16 X 1.25 ZP G5
9	14	U210060 WASHER LOCK .375 ZP
10	20	U200060 WASHER FLAT .375 ZP
11	8	8092725 LEVER LATCH
12	1	8092721 CONTROL BOX DOOR WELDMENT
13	1	8094604 WELDMENT, CONTROLLER MOUNT
14	4	8093729 BRACKET, GAS SPRING MOUNT
15	3	8093086 WELDMENT, DOOR 200HP
16	4	8092413 HINGE, PIANO 200 HP ENCLOSURE
17	56	U030810 SCREW, FH PHILLIPS 1/4"-20 X.75
18	8	U110040 NUT,HEX .312-18 NY ZP G2
19	8	U200040 WASHER FLAT .312 ZP
20	4	8093730 SPRING, GAS W/BALL-JOINT
21	1	8097023 WELDMENT, ENCLOSURE FRONT
22	1	8097027 WELDMENT, SHROUD VX200
23	1	8097020 WELDMENT, ENCLOSURE TOP
24	8	U000420 SCREW, HC .375-16 X 1.00 ZP G5
25	2	8092479 ADJUSTABLE FLANGE
26	1	8097086 PANEL, ACCESS AIR CLEANER
27	1	8092481 ENCLOSURE COVER RADIATOR ACCESS
28	1	8048788 LATCH COMPRESSION
29	2	U000440 SCREW, HC .375-16 X 1.25 ZP G5
30	2	U200060 WASHER FLAT .375 ZP
31	1	8094816 WELDMENT, RUB GUARD

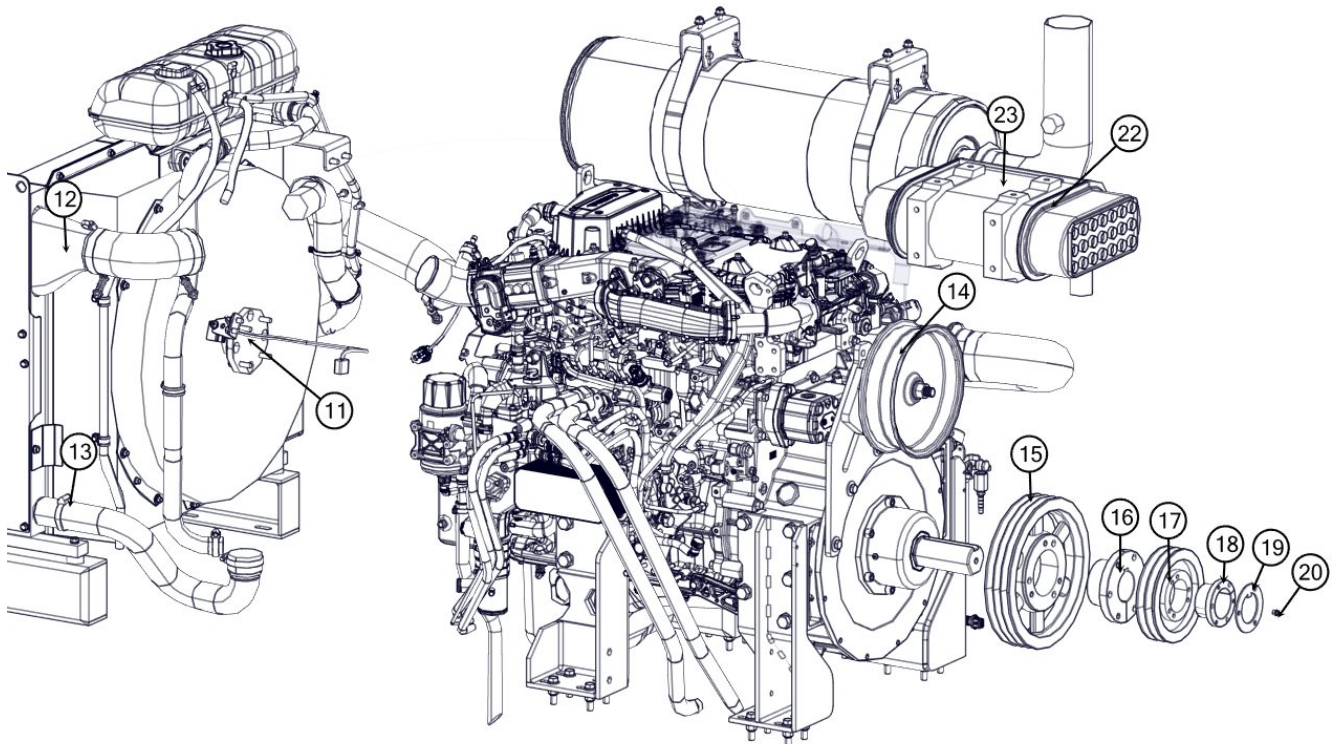
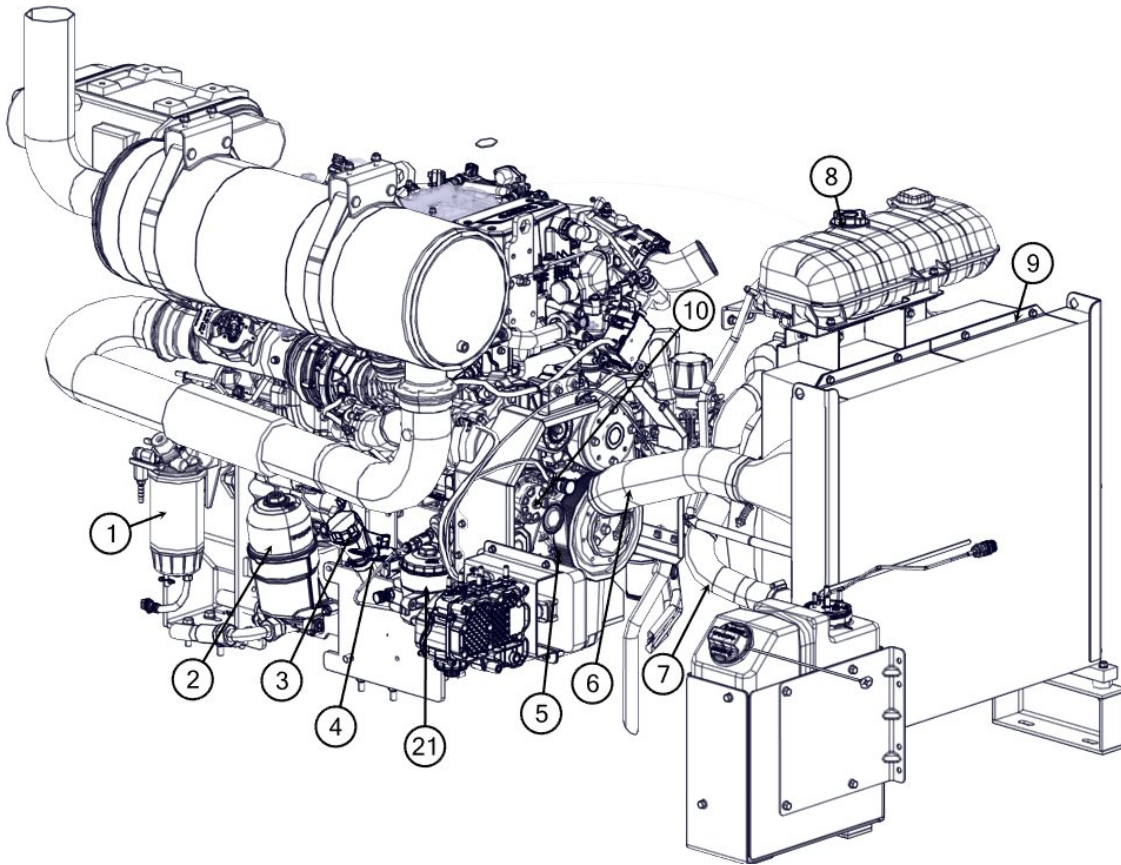
ECO200 CONTROL BOX ASSEMBLY



ECO200 CONTROL BOX ASSEMBLY

BOM ID	Qty	Name
1	1	8092696 CONTROL BOX
2	1	8092700 DOOR, CONTROL BOX
3	1	8092723 HINGE, CONTROL BOX
4	1	8092954 DISPLAY, 7" IFM COLOR
5	3	X000290 PLUG, ROCKER HOLE
6	1	8030458 SWITCH, IGNITION 3000PP
7	1	X000280 EMERGENCY STOP

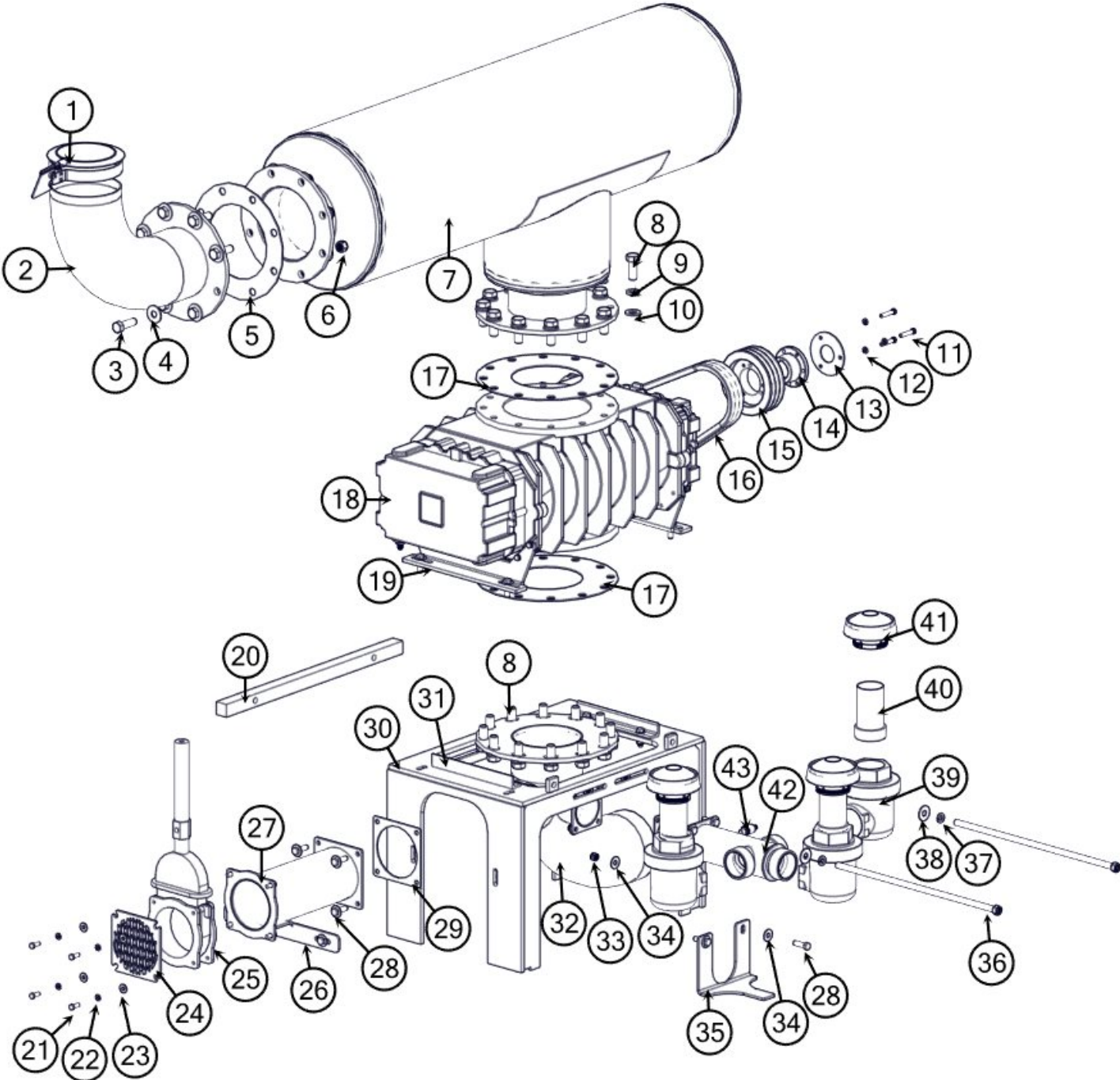
ECO200 ENGINE ASSEMBLY



ECO200 ENGINE ASSEMBLY

BOM ID	Qty	Name
1	1	8097006-01 FUEL PRE-FILTER
2	1	8097006-02 OIL FILTER KIT
3	1	8097006-03 OIL FILLER CAP
4	1	8097006-04 OIL DIPSTICK
5	1	8097006-05 BELT, FAN
6	1	8097006-06 HOSE, AIR IN-TAKE LONG
7	1	8097006-07 HOSE, RADIATOR UPPER
8	1	8097006-08 CAP, RADIATOR
9	1	8097006-09 RADIATOR
10	1	8097006-10 ALTERNATOR
11	1	8097006-11 FAN
12	1	8097006-12 HOSE, AIR IN-TAKE SHORT
13	1	8097006-13 HOSE, RADIATOR LOWER
14	1	8097050 ASSEMBLY, TENSIONER MANUAL
15	1	8097057 SHEAVE, ENGINE
16	1	8097058 BUSHING, ENGINE
17	1	8097059 SHEAVE
18	1	8094122 BUSHING, SK 2-1/2
19	1	8094136 RETAINER, 2.5" SHAFT
20	1	8097006-14 FITTING, GREASE
21	1	8097006-15 MAIN FUEL FILTER
22	1	8097006-17 AIR FILTER (PRIMARY)
23	1	8097006-18 AIR FILTER (SAFETY)

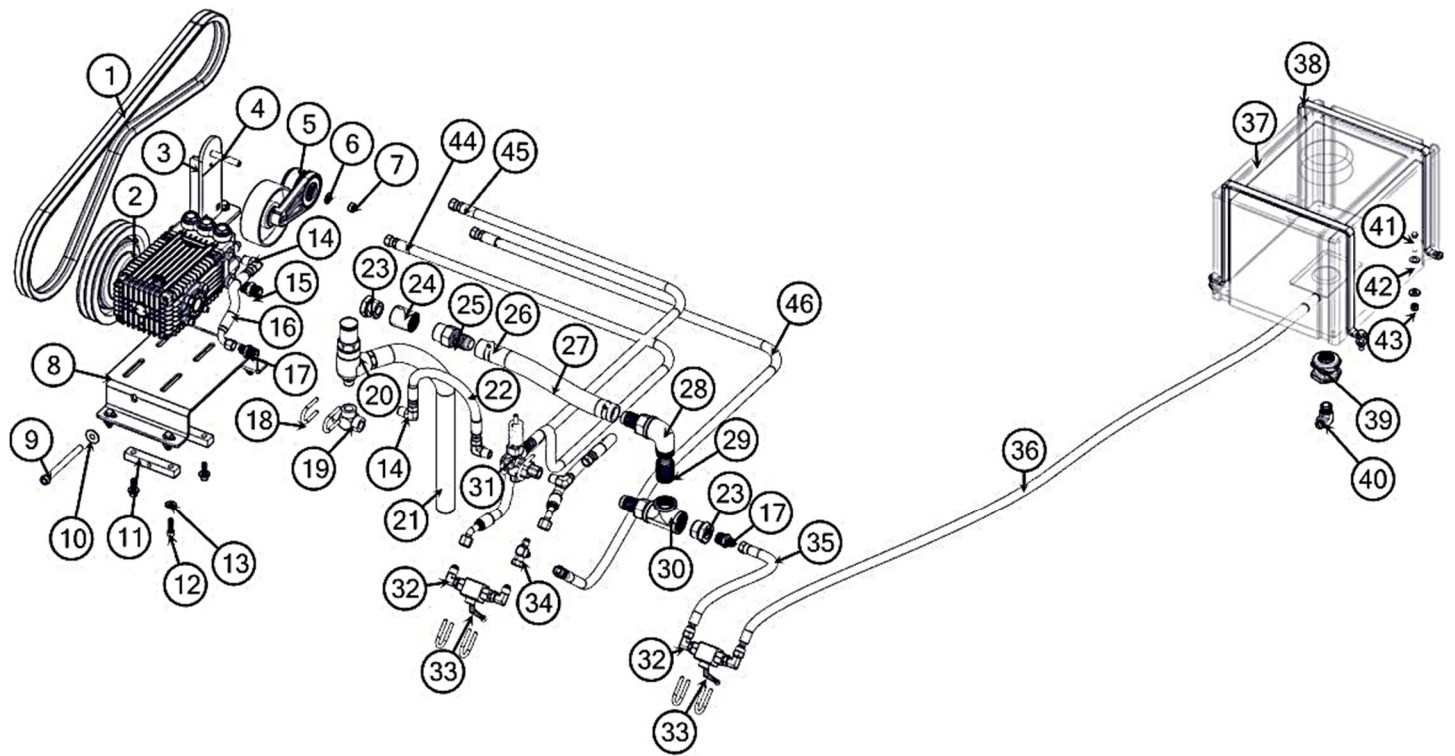
ECO200 BLOWER ASSEMBLY



ECO200 BLOWER ASSEMBLY

BOM ID	Qty	Name
1	1	8094195 RAIN CAP, 8" SILENT
2	1	8092519 WELDMENT, SILENCER OUTPUT
3	8	U001420 SCREW, HC .750-10 X 2.50 ZP G5
4	16	U200160 WASHER FLAT .750 ZP
5	1	8092814 GASKET, SILENCER FLANGE
6	8	U120040 NUT, LOCK NY, .750-10 ZP G2
7	1	8092091 SILENCER, AIR 10IN-8OUT
8	24	U001551 SCREW, HC .875-9 X 2.25 ZP G5
9	24	U210180 WASHER LOCK .875 ZP
10	24	U200168 WASHER FLAT .875 ZP SAE HARD
11	3	U000500 SCREW, HC .375-16 X 2.00 ZP G5
12	3	U200600 WASHER FLAT .375
13	1	8092817 RETAINER, 2" BUSHING (3 HOLE)
14	1	8093951 BUSHING, SF 2
15	1	8093950 SHEAVE, 3-5VX0750 SF
16	1	8097253 BELT, 3-5VP900 PREDATOR
17	2	8092811 GASKET, BLOWER FLANGE
18	1	8092099 BLOWER, RAM624 3200CFM 18" HG
19	2	8092884 BLOWER FOOT 3200CFM-624 RAM
20	1	8097084 WELDMENT, BLOWER ADJUSTER
21	8	U000420 SCREW, HC .375-16 X 1.00 ZP G5
22	16	U210060 WASHER LOCK .375 ZP
23	8	U200060 WASHER FLAT .375 ZP
24	1	8049371 BOTTOM PLATE WELDMENT DV RF
25	1	8043577 VALVE, 6" GATE BRASS HYD DBLACT
26	1	8094280 MOUNT, PIPE 6"
27	1	8091659 WELDMENT, 6" PIPE EXTENSION
28	20	U000860 SCREW,HC .500-13 X 1.75 ZP G5
29	1	8092813 GASKET, VAC ASSY LARGE FLANGE
30	1	8097082 WELDMENT, RISER BLOWER MOUNT
31	2	8094860 ANGLE, GUIDE BLOWER
32	1	8092319 WELDMENT, INTAKE
33	20	U160018 NUT, LOCK .500-13 NY ZP
34	32	U200100 WASHER FLAT .500 ZP
35	1	8092307 MOUNT, PIPE 4"
36	2	8097080 WELDMENT, THREADED ROD 5/8-11 X 24"
37	2	U210140 WASHER LOCK .625 ZP
38	2	U200140 WASHER FLAT .625 ZP
39	3	8092079 VALVE, AIR RELIEF,3", 18"HG
40	3	8045238 UNION EXHAUST 3" OD-MNPT
41	3	8091506-01 CAP, AIR IN-TAKE
42	1	8092573 WELDMENT, VAC RELIEF
43	1	X000085 PRESSURE TRANSDUCER

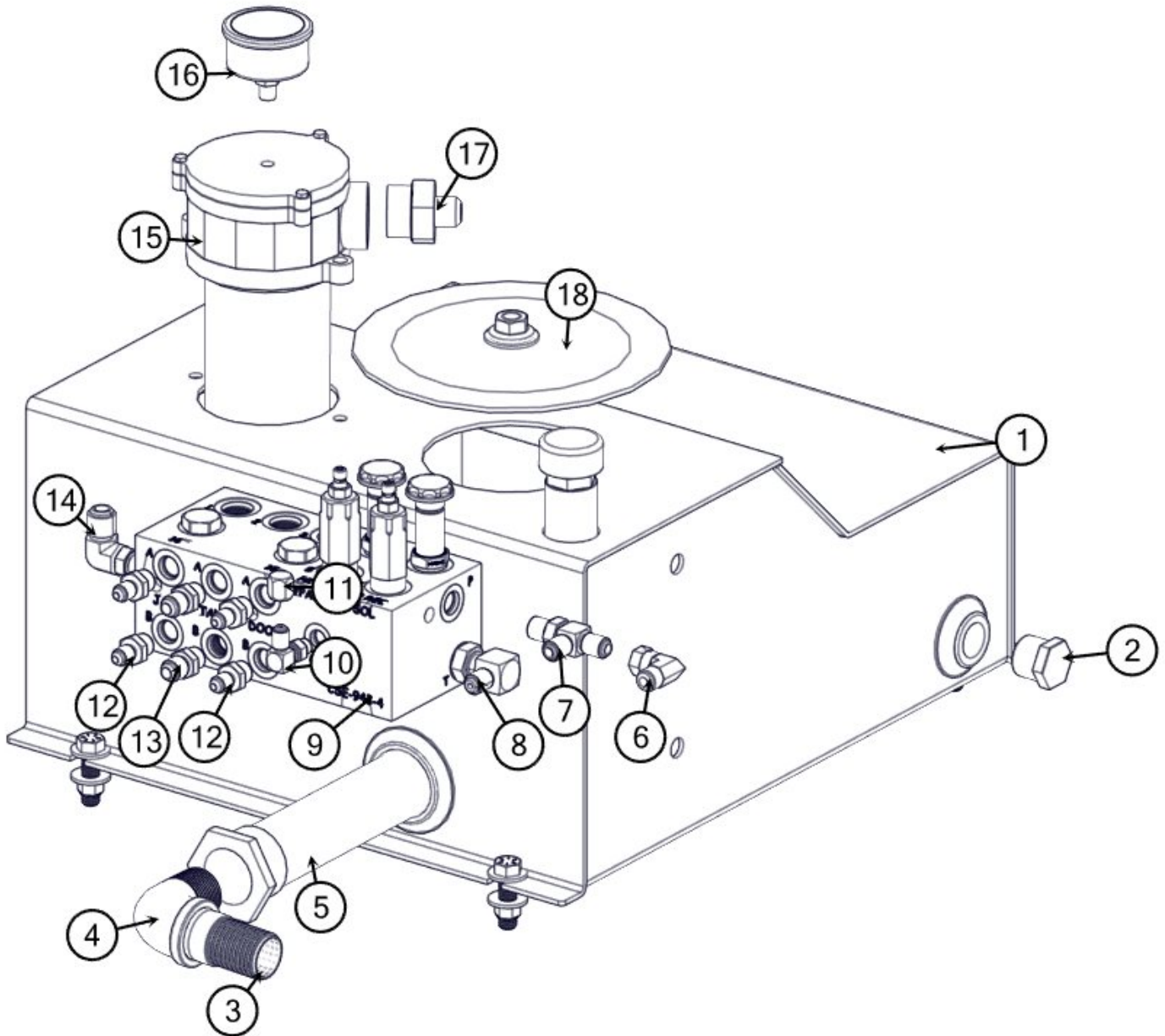
ECO200 WATER PUMP ASSEMBLY



ECO200 WATER PUMP ASSEMBLY

BOM ID	Qty	Name
1	2	8097114 BELT, WATER PUMP
2	1	8093712 PUMP, WATER TSF2421 W/CLUTCH 10GPM
3	1	8097112 WELDMENT, AUTO TENSIONER
4	1	U001655 SCREW, HC 12MM X 1.75 X 90MM G8.8
5	1	8096205 PULLEY, AUTO TENSIONER FLAT
6	4	U200110 WASHER FLAT .500 ZP SAE HARD
7	1	U210077 NUT, LOCK NY M12-1.75 C8.0 ZIN
8	1	8093520 BRACKET, PUMP WATER TSF2421
9	1	8094004 WELDMENT, PUMP TENSIONER
10	1	U200100 WASHER FLAT .500 ZP
11	2	8093521 TENSIONER BLOCK, ADJUSTING
12	4	U010321 SCREW, HSH 10MM-1.50 X3 0MM C12.9
13	12	U200060 WASHER FLAT .375 ZP
14	4	T401140 ELBOW, 90 1/2"MP-1/2"MJ
15	1	T400800 UNION 12MP-12MP
16	1	8049049 HOSE ASSY VAC 8-10 1/2 ST-90
17	2	T400080 REDUCER, 3/4"MP-1/2"MJ
18	8	U010017 U-BOLT, .250-20
19	1	T402160 TEE 12FP_12FP_12FP
20	1	8040556 VALVE, SAFETY RELIEF
21	1	8042941 HOSE VAC CLEAR VINYL 1-1/4-27
22	1	8044647 HOSE ASSY VAC 8-14 ST-ST
23	2	T403100 REDUCER 20MP-12FP
24	1	T422080 COUPLING, PIPE 1-1/4"FP
25	3	8041312 FITTING, 1-1/4"MP-1-1/4"HB
26	2	8040677 CLAMP, HOSE 1 1/4-2 1/8 HD
27	1	8042940 HOSE VAC CLEAR VINYL 1-1/4-18
28	1	8041311 ELBOW, 90 1.25 STREET EL GALVAN
29	1	T421040 NIPPLE, CLOSE 1-1/4"MP BLK
30	1	8041310 TEE, 1.25 FP ALL LEGS. GALVANIZE
31	1	8030341 VALVE, UNLOADER GREEN SPRNG
32	4	T401280 ELBOW, 90 1/2"MB-1/2"MJ
33	2	8031197 VALVE, BALL 1/2" 3000 PSI. MIN
34	1	T402155 TEE 8FJ_8MJ_8MJ
35	1	8090212 HOSE VAC PUSH 8-24"
36	1	8046803 HOSE VAC PUSH 8-79"
37	1	8048810 TANK, ANTIFREEZE 12GAL W/CAP
38	2	8094267 PLATE, STRAP HOLD DOWN
39	1	8041148 BULKHEAD 3/4" NPT PLASTIC
40	1	T401160 ELBOW, 90 3/4"MP-1/2"MJ
41	4	U000480 SCREW, HC .375-16 X 1.75 ZP G5
42	8	U200060 WASHER FLAT .375 ZP
43	4	U110060 NUT, ST .375-16 ZP G2
44	1	8093181 HOSE ASSY VAC 8-72" ST-ST
45	1	8097048 HOSE ASSY VAC 8-65" ST-45
46	1	8093181 HOSE ASSY VAC 8-72" ST-ST

ECO200 HYDRAULIC TANK ASSEMBLY

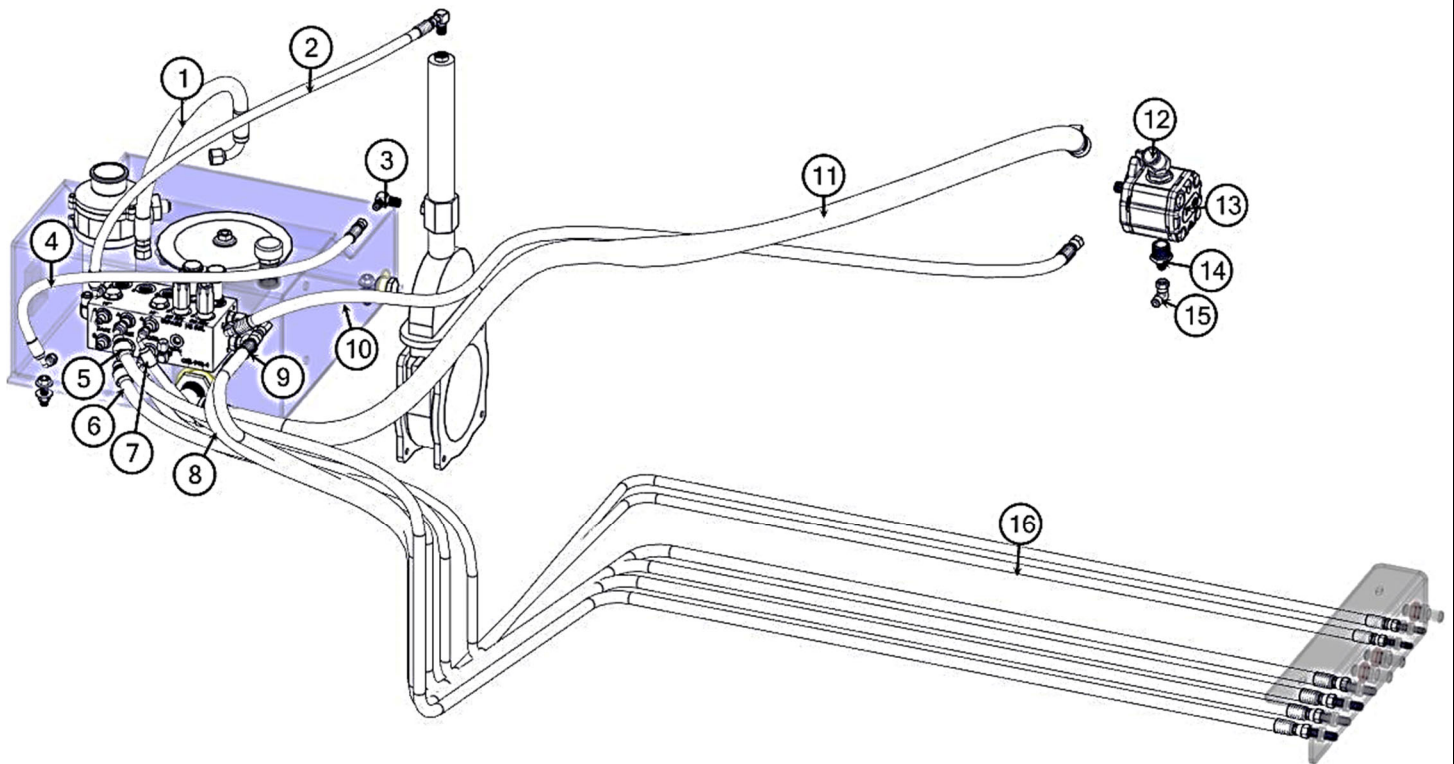


ECO200 HYDRAULIC TANK ASSEMBLY

BOM ID	Qty	Name
1	1	8093054 WELDMENT,TANK HYD. 9 GAL
2	1	T405065 PLUG, 3/4"MP
3	1	8043963 UNION, 1"MP-1"HOSE BARB
4	1	T420080 ELL,STREET 1"MP-1"FP,90 DEG
5	1	8011058 STRAINER SUCTION 1-1/2"ODX1"ID
6	1	T401228 ELBOW 90 6MJ-6FJ
7	1	T402148 TEE,3/8"MB-3/8"MJ-3/8"MJ
8	1	T401250 ELBOW, 90 3/8"MB-3/8"MJ
9	1	8048690-02 MANIFOLD ASSY BOOM LWR(CROSS3)
10	1	T401230 ELBOW, 90 1/4"MB-1/4"MJ
11	1	T405200 CAP, 1/4" FEM.JIC, HEX HEAD
12	4	T400550 REDUCER, 3/8"MB-1/4"MJ
13	2	T400037 UNION, 3/8"MB-3/8"MJ
14	1	T401260 ELBOW, 90 3/8"MB(ADJ)-1/2"MJ
15	1	8047456 FILTER, HYD OIL AUX HYD CROSS2
16	1	8047456-1 GAUGE, FILTER, DIAL
17	1	T400240 REDUCER, 1"MB-1/2"MJ
18	1	4800758 CLEANOUT COVER

TANK to HOSE
CONNECTION PLATE

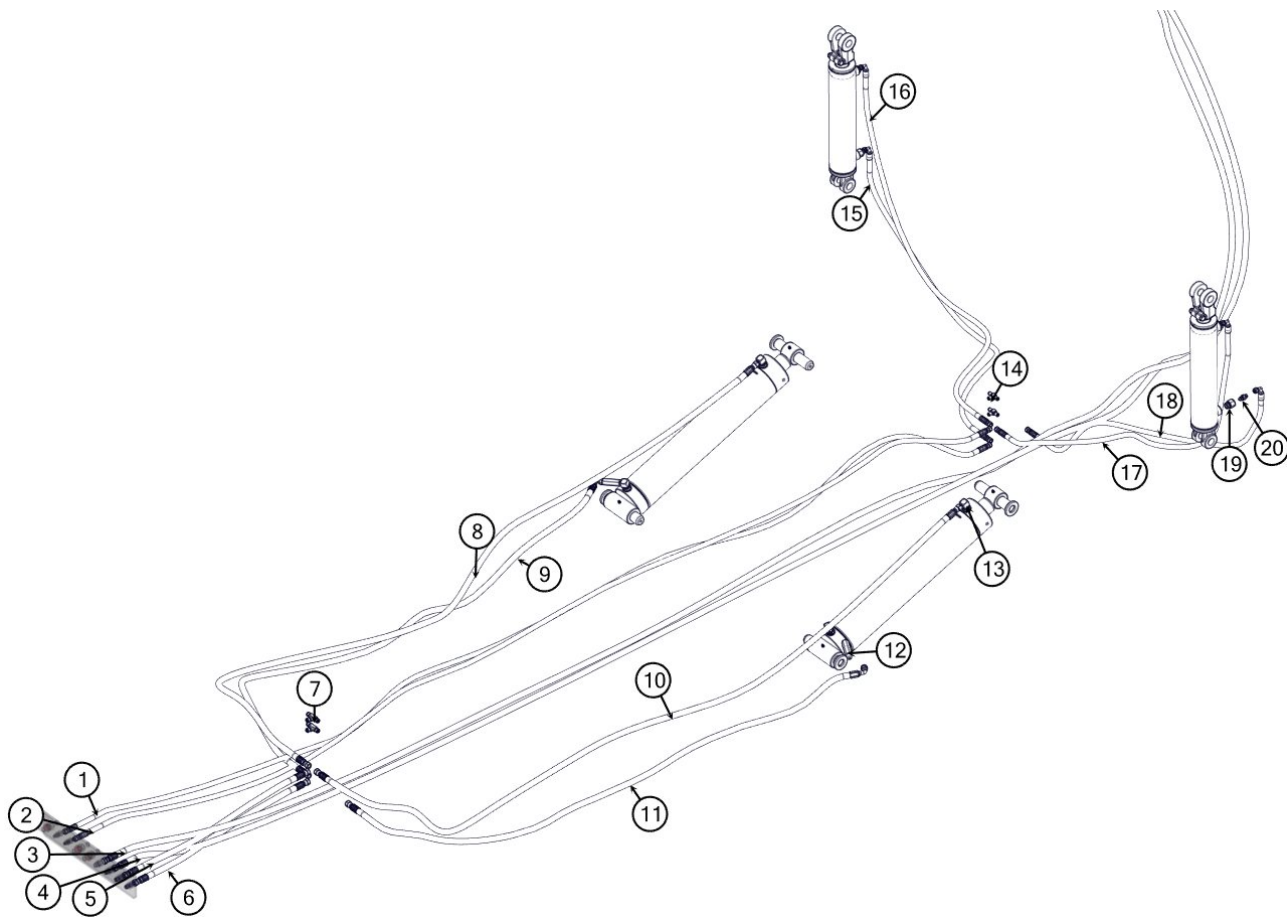
ECO200 HYDRAULIC
HOSES ASSEMBLY



BOM ID	Qty	Name
1	1	8041492 HOSE ASSY VAC 8-18 ST-90
2	1	8049012 HOSE ASSY VAC 4-30 ST-90
3	2	T401100 ELBOW 90 4MP_4MJ
4	1	8047106 HOSE ASSY VAC 4-29 ST-90
5	1	8097042 HOSE ASSY VAC 6-102 ST-45
6	1	8097043 HOSE ASSY VAC 6-100 ST-45
7	1	8049011 HOSE ASSY VAC 4-106 ST-90
8	1	8041455 HOSE ASSY VAC 6-104 ST-ST
9	1	8041455 HOSE ASSY VAC 6-104 ST-ST
10	1	8093437 HOSE ASSY VAC 6-67 ST-90
11	1	T300180-072.00 HOSE, WIRE BRAID #16 X 72" LONG
12	1	8043964 ELBOW, 45 1"HB-3/4"MB
13	1	8092259 PUMP, GEAR 8.4CC CCW DEERE
14	1	T400085 REDUCER 12MP_6MJ
15	1	T401228 ELBOW 90 6MJ-6FJ
16	1	8049011 HOSE ASSY VAC 4-106 ST-90

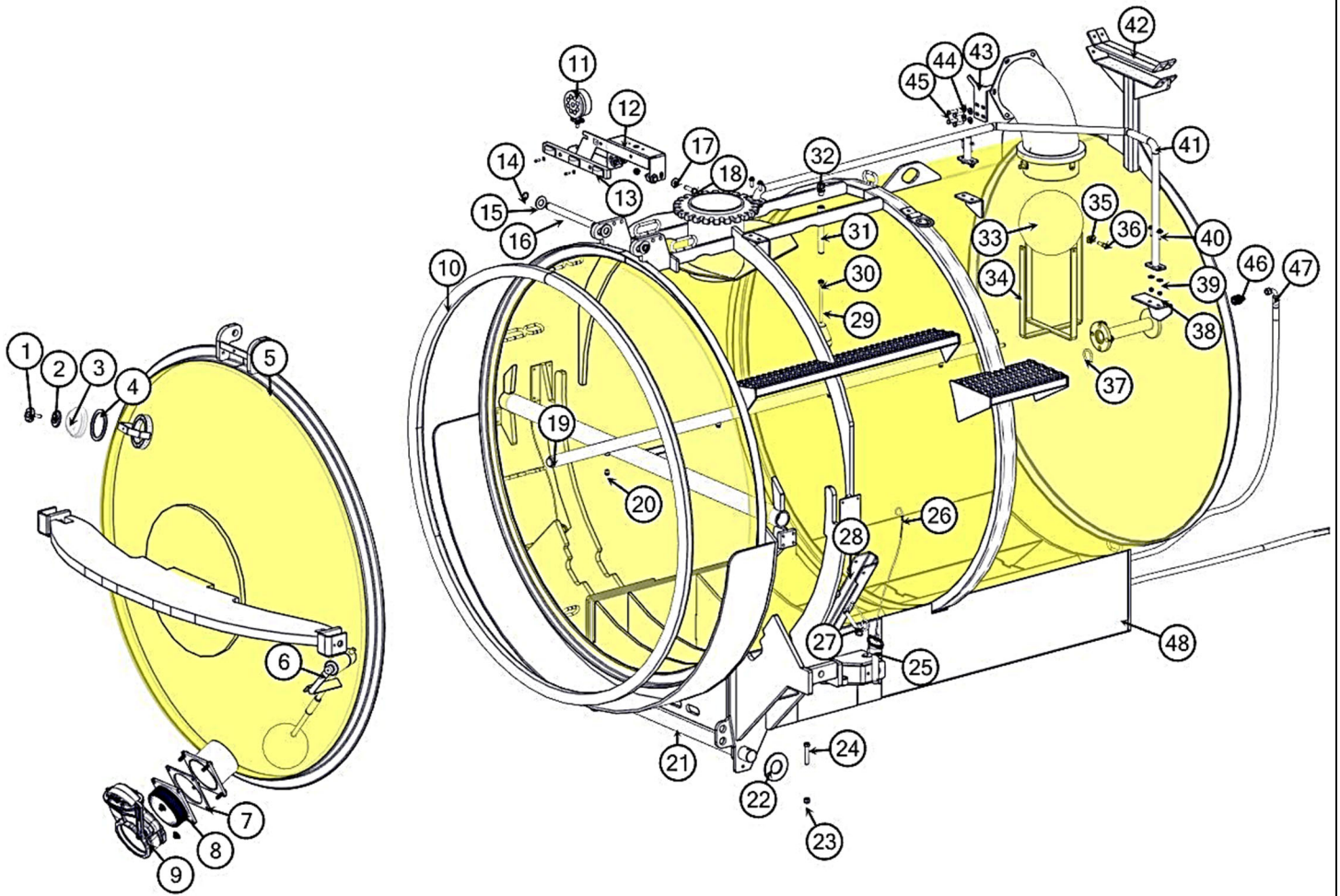
HOSE CONNECTION
PLATE to HYD CYLINDERS

VX200 HYDRAULIC
HOSES ASSEMBLY



BOM ID	Qty	Name
1	1	8042354 HOSE ASSY VAC 4-160" ST-ST (Pressure)
2	1	8042354 HOSE ASSY VAC 4-160" ST-ST (Return)
3	1	8049277 HOSE ASSY VAC 6-285" ST-ST (Pressure)
4	1	8049277 HOSE ASSY VAC 6-285" ST-ST (Return)
5	1	8045871 HOSE ASSY VAC 6-40" ST-ST (Return)
6	1	8045871 HOSE ASSY VAC 6-40" ST-ST (Pressure)
7	2	T402154 TEE 6MJ_6MJ_6MJ
8	1	8093486 HOSE ASSY VAC 6-110" ST-ST
9	1	8046819 HOSE ASSY VAC 6-79" ST-90
10	1	8093486 HOSE ASSY VAC 6-110" ST-ST
11	1	8046819 HOSE ASSY VAC 6-79" ST-90
12	2	8048286 VALVE CHECK VELOCITY (6.0 GPM)
13	4	T401270 ELBOW, 90 1/2"MB-3/8"MJ
14	2	T402035 TEE 4MJ_4MJ_4MJ
15	1	8093184 HOSE ASSY VAC 4-55" ST-90
16	1	8044763 HOSE ASSY VAC 4-60" ST-90
17	1	8044763 HOSE ASSY VAC 4-60" ST-90
18	1	8093184 HOSE ASSY VAC 4-55" ST-90
19	2	T400350 REDUCER, 1/2"MB - 1/4"FB
20	2	8090251 FITTING, ORIFICE 0.020

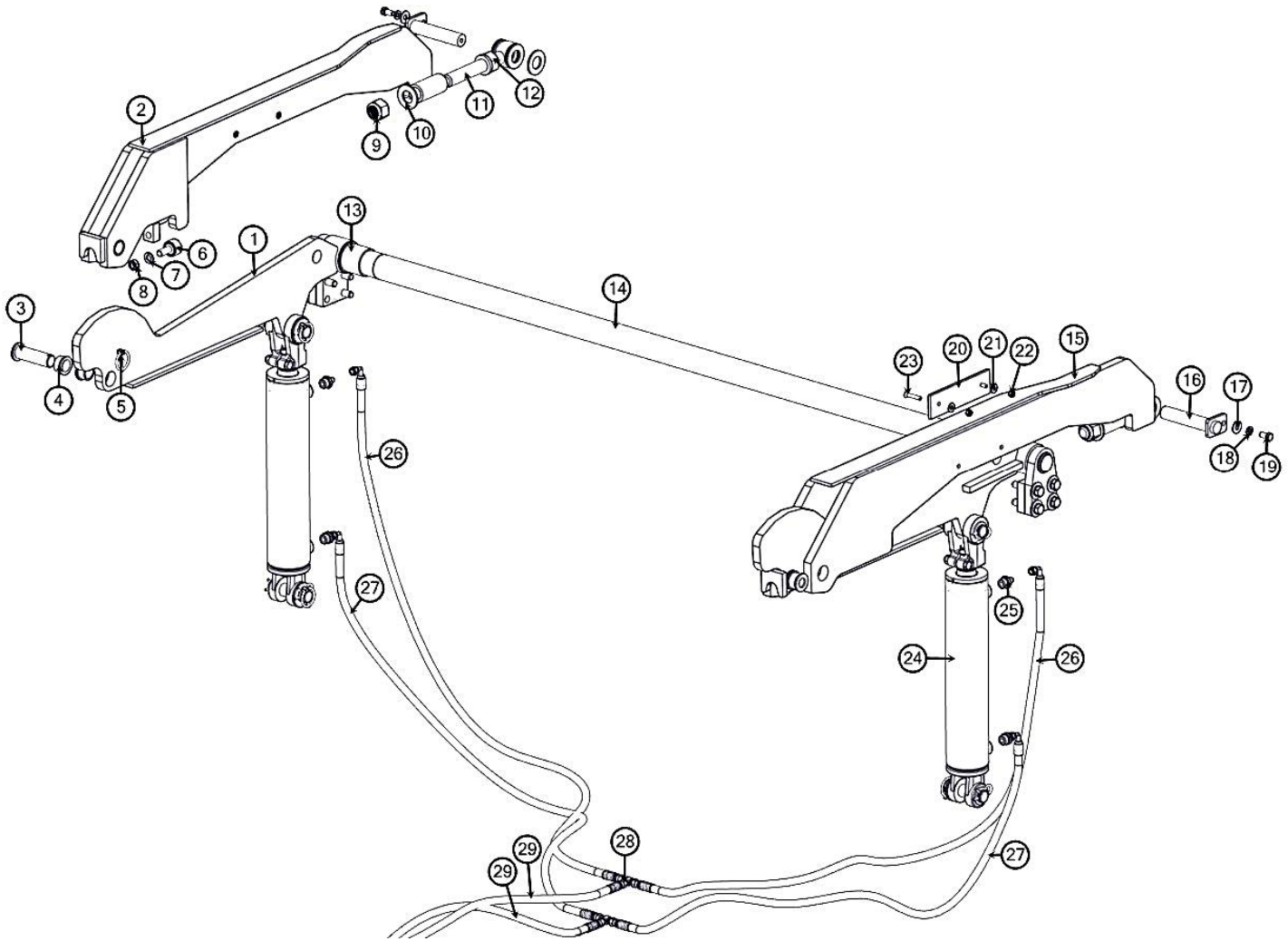
ECO200 SPOIL TANK ASSEMBLY



ECO200 SPOIL TANK ASSEMBLY

BOM ID	Qty	Name
1	1	8031046 SCREW, HANDWHEEL, SIGHT GLASS
2	1	8031047 PLATE, SIGHT GLASS
3	1	8031048 SIGHTGLASS, 5"GLASS ONLY
4	1	8032007 GASKET, 4"FLAT ALUM COUPLER
5	1	8096536 WELDMENT, DOOR 1600-600 GAL
6	1	8092325 GAUGE, SPOIL FLOAT
7	1	8046191 GASKET DOOR LE INLET/OUTLET
8	1	8046199 GATE VALVE TANK FLANGE 6"
9	1	8030849 VALVE, 6"GATE BRASS LEVER TYPE
10	1	8093728 SEAL, DOOR 66" DIA TANK
11	1	8093939 LIGHT, WORK OPTILUX 5RD
12	1	8047253 STROBE LIGHT BRACKET
13	1	8041509 LIGHT TANK CLEARANCE 3 BAR
14	2	U500020 SNAP RING, EXT 1" SHAFT ZP
15	6	U200170 WASHER FLAT 1.000
16	1	8040058 DOOR HINGE ROD
17	8	U200100 WASHER FLAT .500 ZP
18	4	U000880 SCREW, HC .500-13 X 2.00 ZP G5
19	1	8094636 WELDMENT, TANK CLEANOUT 1600
20	4	8030369 NOZZLE, TANK CLEANOUT .20"X 40DEG.X 1/4 MP
21	1	8097187 WELDMENT, PIN TANK PIVOT
22	1	U200180 WASHER FLAT 2.125ID X 4.5OD
23	5	U160018 NUT, LOCK .500-13 NY ZP
24	1	U000930 SCREW, HC .500-13 X 3.00 ZP G5
25	2	8041626 PIN HITCH 1" X 4 1/2"
26	2	8093841 ASSEMBLY, LANYARD CABLE 30"LG
27	1	8044978 PIN, SAFETY T2000 3/8 X 4.00
28	1	8044915 TANK SAFETY BRACE
29	1	8030531 SWITCH FLUID LEVEL SPOIL TANK
30	1	8041291 BUSHING, RUBBER 7/8" HEAD 21/32" BODY
31	1	8040769 TUBE TANK FULL SWITCH 8 INCH
32	1	X000113 STRAIN RELIEF 1/2NPT .250-.375
33	1	8043686 BALL FLOAT 10"OD STAINLESS
34	1	8092438 CAGE, FLOAT BALL 10"
35	4	U100062 NUT, CLIP .375-16
36	4	U000440 SCREW, HC .375-16 X 1.25 ZP G5
37	1	8030446 O'RING
38	6	U110040 NUT, HEX .312-18 NY ZP G2
39	12	U200040 WASHER FLAT .312 ZP
40	6	U000220 SCREW, HC .312-18 X 1.25 ZP G5
41	1	8096176 WELDMENT, SAFETY HAND RAIL
42	2	8047711 STRIP, RUBBER BOOM FOOT
43	1	8092900 PLATE, FITRATION SUPPORT CRADLE
44	10	U200060 WASHER FLAT .375 ZP
45	4	U000460 SCREW, HC .375-16 X 1.50 ZP G5
46	1	T400445 REDUCER 16MP-8MJ
47	1	8094753 ASSEMBLY, ROUTING TANK CLEANOUT
48	1	8096148 WELDMENT, TANK 1600 (RAIL)

ECO200 HYDRAULIC ARM ASSEMBLY

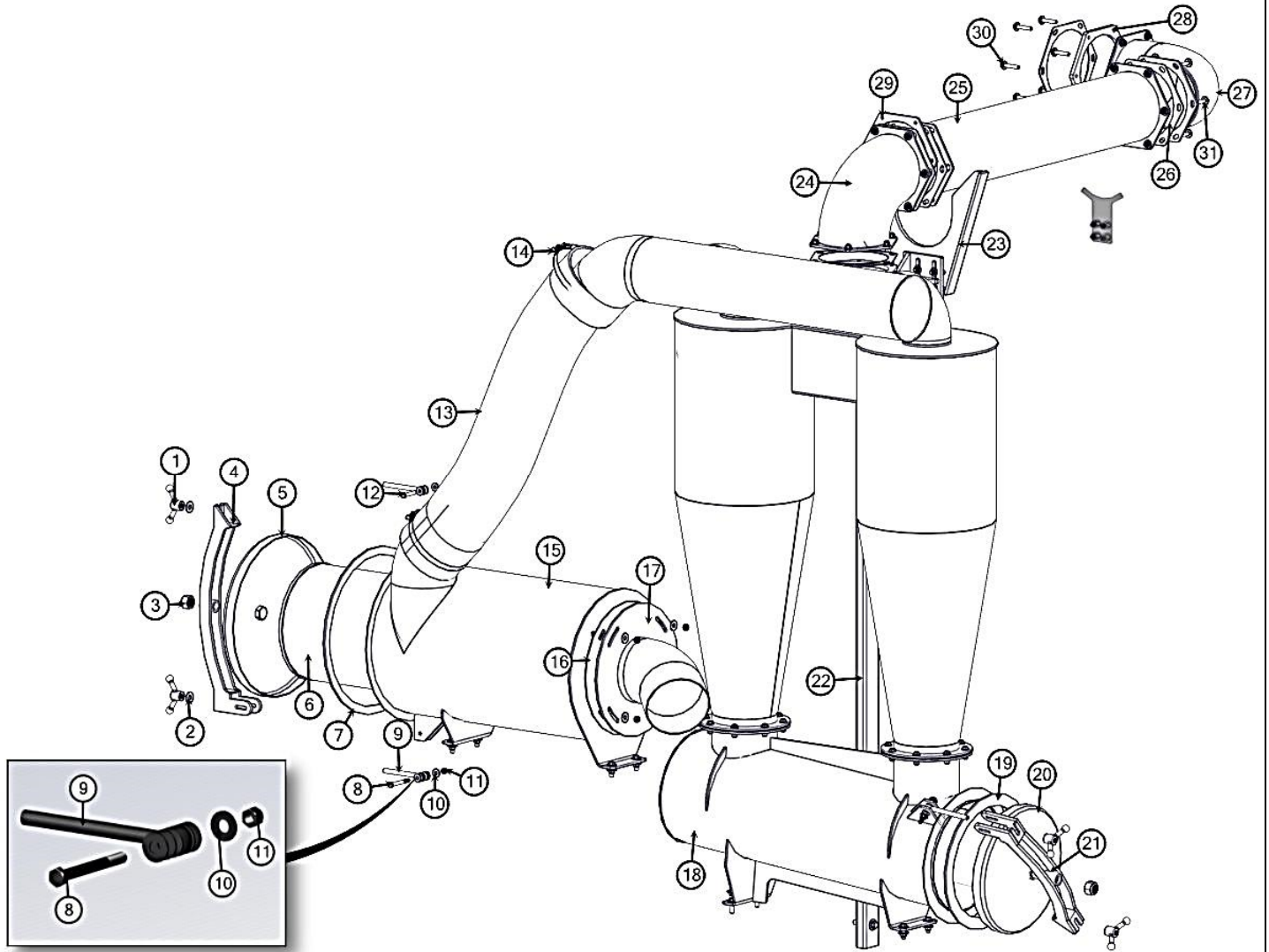


ECO200 HYDRAULIC ARM ASSEMBLY

BOM ID	Qty	Name
1	1	8047958 LINKAGE ARM SHORT (RIGHT) WELDMENT
2	1	8044867 LINKAGE ARM LONG (CURB) WELDMENT
3	6	8042489 CYLINDER PIN
4	8	8041883 BUSHING BRONZE 1.25 X 1.00 X .63 FL
5	6	U340050 PIN LINCH 3/16 X 1 9/16 ZP
6	2	W000020 BEARING, CAMROL 1.25"
7	2	U210100 WASHER, LOCK .500 ZP
8	2	U160015 NUT, JAM .500-20
9	2	U120060 NUT, LOCK 1.00-8 NY ZP G2
10	12	U200170 WASHER, FLAT 1.00
11	2	8043131 ROD END 1"-8 X 7 1/2"LG
12	2	U100240 NUT, HEX 1.00-8 ZP G2
13	2	8041602 BUSHING BRONZE 2.25 X 2.00 X 2.00 FL
14	1	8093597 LINKAGE CROSS TUBE WELDMENT
15	1	8044868 LINKAGE ARM LONG (STREET) WELDMENT
16	2	8043844 CYLINDER PIN FLANGED 1" X 5 1/2"LG
17	2	U200060 WASHER, FLAT .375 ZP
18	2	U210060 WASHER, LOCK .375 ZP
19	2	U000400 SCREW, HC .375-16 X .75 ZP G5
20	2	8047449 PLASTIC STRIP HYD DOOR GUIDE
21	4	U200020 WASHER, FLAT .250 ZP
22	4	U120000 NUT, LOCK NY .250-20 ZP G2
23	4	U030018 SCREW, SFH .250-20 X 1.50 ZP
24	2	8092326 CYLINDER, HYD 3" X 12"
25	4	T400611 REDUCER, 8MB-4MJ
26	2	8044763 HOSE ASSY VAC 4-60" ST-90
27	2	8093184 HOSE ASSY VAC 4-55" ST-90
28	2	T402035 TEE 4MJ_4MJ_4MJ
29	2	8042354 HOSE ASSY VAC 4-160" ST-ST

*NOT SHOWN
2 - 8090251 FITTING, ORFICE 0.020 4MB-4MJ

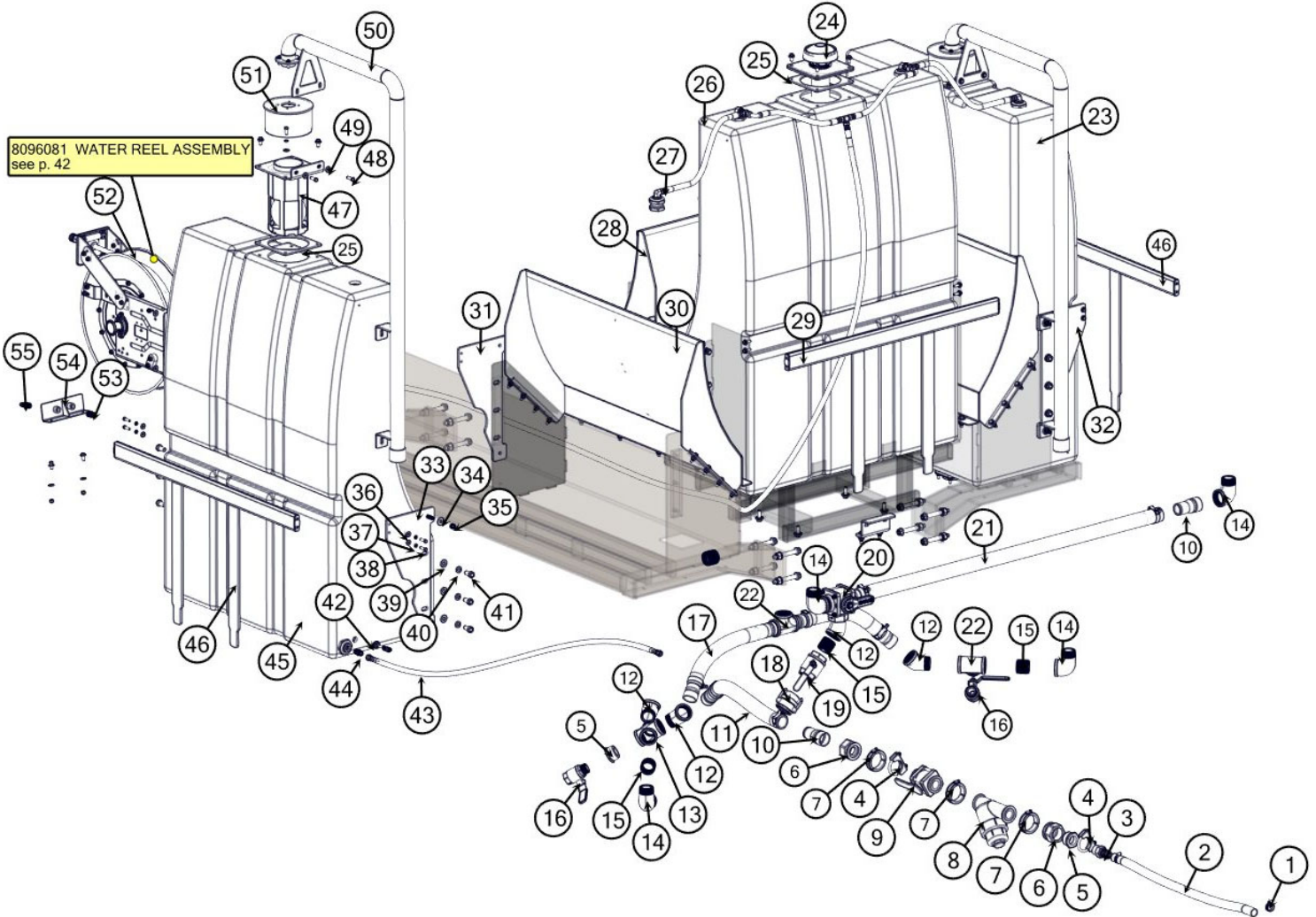
ECO200 FILTRATION ASSEMBLY



ECO200 FILTRATION ASSEMBLY

BOM ID	Qty	Name
1	4	8041594 HANDLE, WING REV FLOW CYC/FILTER
2	2	U200100 WASHER, FLAT .500 ZP
3	2	U120060 NUT, LOCK 1.00-8 NY ZP G2
4	1	8092007 LATCH, AIR FILTER 3000 CFM SINGLE
5	1	8092009 DOME, AIR FILTER 3000 CFM SINGLE
6	1	8092258 FILTER, AIR 14.5 X 32
7	1	8092008 GASKET, AIR FILTER HD VX200
8	2	U000580 SCREW, HC .375-16 X 3.50 ZP G5
9	4	8041593 BOLT, EYE 1/2-13 X 6"
10	20	U200060 WASHER, FLAT .375 ZP
11	4	U120110 NUT, LOCK .375-16 NY ZP
12	2	U000520 SCREW, HC .375-16 X 2.25 ZP G5
13	1	8093023 HOSE VAC AG SUCTION 8" X 54 1/2"LG
14	2	8092896 CLAMP, T-BOLT 8" HOSE
15	1	8092282 AIR FILTER 3000 CFM SINGLE
16	1	8092815 GASKET, AIR FILTER OUTLET
17	1	8092661 WELDMENT, AIR FILTER OUTLET
18	1	8091639 CYCLONE ASSEMBLY 3000 CFM
19	1	8041612 GASKET, REV FLOW CYCLONE
20	1	8041402 DOME, CYCLONE REV FLOW
21	1	8041552 LATCH, CYCLONE DOME REV FLOW
22	1	8092843 BRACE, REC TUBE (CYCLONE)
23	1	8093047 WELDMENT, FILTRATION SUPPORT
24	1	8092431 FILTRATION ELBOW WELDMENT 2
25	1	8092888 WELDMENT, PIPE FILTRATION LONG
26	6	8092436 GASKET, FILTRATION CONNECTION
27	1	8092430 FILTRATION ELBOW WELDMENT 1
28	2	8092892 FILTRATION SPACER PLATE
29	1	8092916 FILTRATION CONNECTION PLATE
30	12	U000520 SCREW, HC .375-16 X 2.25 ZP G5
31	12	U000460 SCREW, HC .375-16 X 1.50 ZP G5

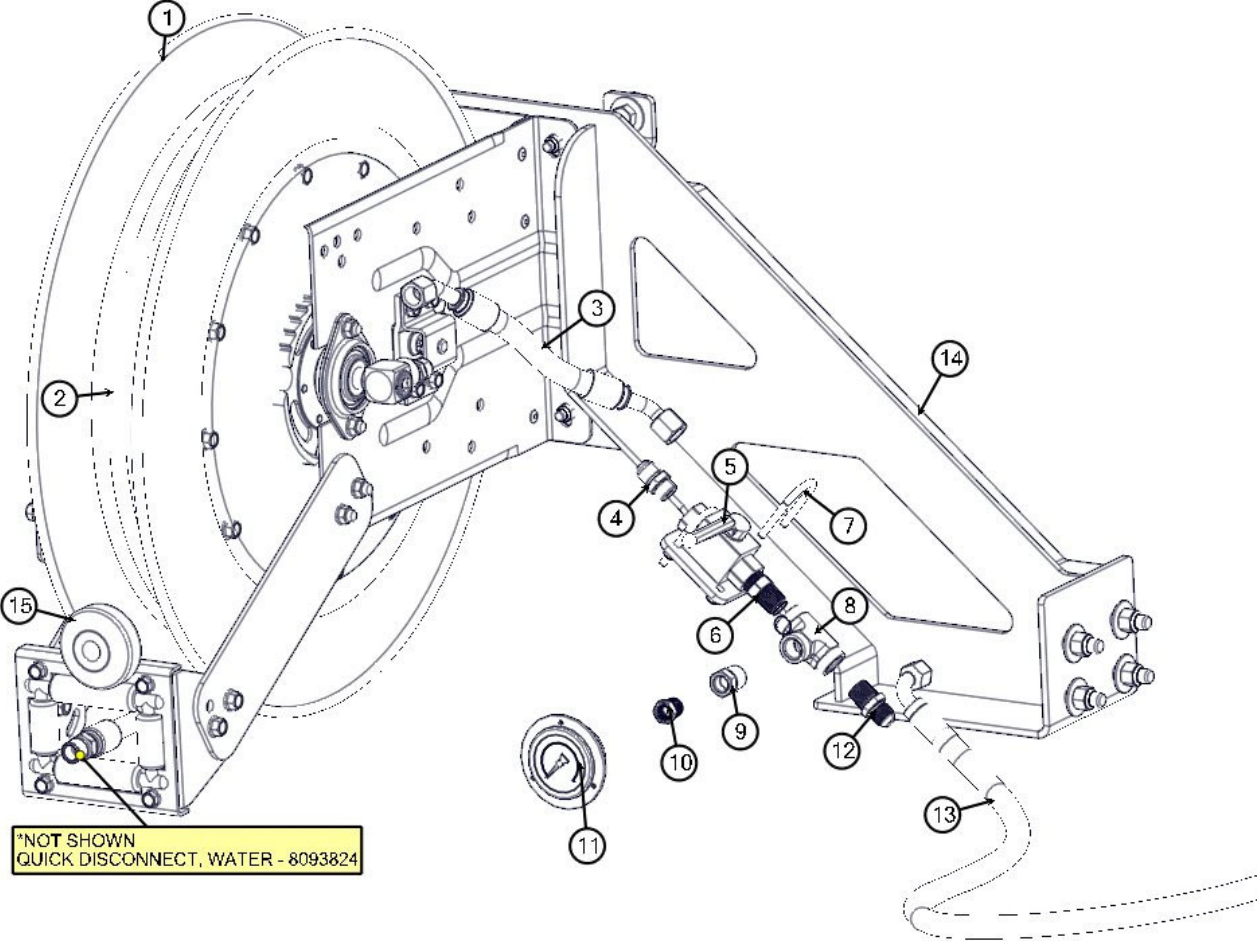
ECO200 WATER TANK ASSEMBLY



ECO200 WATER TANK ASSEMBLY

BOM ID	Qty	Name
1	2	8040677 CLAMP, HOSE 1 1/4-2 1/8 HD
2	1	8043076 HOSE VAC CLEAR VINYL 1-1/4-37
3	1	8041312 FITTING, 1-1/4"MP-1-1/4"HB
4	2	8031373 CLAMP, U-BOLT 2.5"EXHAUST
5	3	8043843 REDUCER, 2"MP-1-1/4"FP GALV
6	2	8030996 MANIFOLD, 2"BANJO FEMALE ADAPTR
7	3	8031000 CLAMP, 2"BANJO WORM USES GSKT
8	1	8031001 STRAINER, Y 2"FLANGE 80 MESH W/CAP
9	1	8030998 VALVE, 2"BALL-MANIFOLD
10	8	T410115 FITTING, 2"MNPT-2"BARB STEEL
11	1	8043398-022.00 HOSE, CLEAR, 2" ID X 22" LG
12	4	T420127 ELL, STREET 2" 45DEG GALV
13	1	T406020 CROSS, PIPE 2" FEMALE GALV
14	4	T420126 ELL, STREET 2" 90DEG GALV
15	5	8030409 NIPPLE, CLOSE 2"SCHD 40 IRON
16	2	8045813 VALVE, BALL 1 1/4" M X F BRASS
17	1	8043398-019.00 HOSE, CLEAR, 2" ID X 19" LG
18	1	8031219 COUPLING, 2"ALUM MP X FCAMLOCK
19	1	8090233 VALVE, BALL 2" W/LEVER HANDLE
20	1	8094548 VALVE, 3-WAY 2"NPT BANJO
21	1	8043398-069.00 HOSE, CLEAR, 2" ID X 69" LG
22	2	T402500 TEE, 2" NPT GALVANIZED
23	1	8096112 ASSEMBLY, TANK WATER 200 GAL LEFT
24	1	8094462 WELDMENT, VENT WATER TANK
25	3	8094558 GASKET, SADDLE TANK CHECK VALVE
26	1	8096097 ASSEMBLY, WATER TANK 200 GAL CENTER
27	1	8096232 KIT, RECIRCULATION VX200-1600
28	1	8096088 WELDMENT, WATER TANK BACKING CENTER
29	1	8096098 WELDMENT, WATER TANK CROSSBRACE CENTER TANK
30	2	8096089 WELDMENT, WATER TANK BACKING
31	2	8096126 PLATE, CROSSBAR MOUNT
32	1	8096125 WELDMENT, CROSSBAR MOUNT
33	1	8096124 WELDMENT, CROSSBAR MOUNT RIGHT FRONT
34	30	U200100 WASHER FLAT .500 ZP
35	16	U160018 NUT, LOCK .500-13 NY ZP
36	8	U200040 WASHER FLAT .312 ZP
37	8	U210040 WASHER LOCK .312 ZP
38	8	U000220 SCREW, HC .312-18 X 1.25 ZP G5
39	28	U200150 WASHER FLAT .625 ZP SAE HARD
40	12	U210140 WASHER LOCK .625 ZP
41	12	U001186 SCREW, HC .625-11 X 1.25" ZP G8
42	1	8090896 SWITCH, WATER LEVEL (HORIZ)
43	1	8041059 HOSE VAC PUSH 8-66
44	1	T400040 UNION, 1/2"MP-1/2"MJ
45	1	8096113 ASSEMBLY, TANK WATER 200 GAL RIGHT
46	2	8096090 WELDMENT, BRACE SIDE WATER TANK
47	2	8094485 ASSEMBLY, FLOAT WATER TANK
48	4	U000440 SCREW, HC .375-16 X 1.25 ZP G5
49	70	U200060 WASHER FLAT .375 ZP
50	2	8094480 WELDMENT, QUICK FILL 200 GALL
51	2	8094105 WELDMENT, QUICKFILL ATTACHMENT
52	1	8096081 ASSEMBLY, WATER REEL RH
53	1	T400040 UNION, 1/2"MP-1/2"MJ
54	1	8096847 WELDMENT, RECIRC CONNECTION
55	1	8093823 FITTING, QD WATER 1/2"M-1/2"MP

ECO200 WATER REEL ASSEMBLY



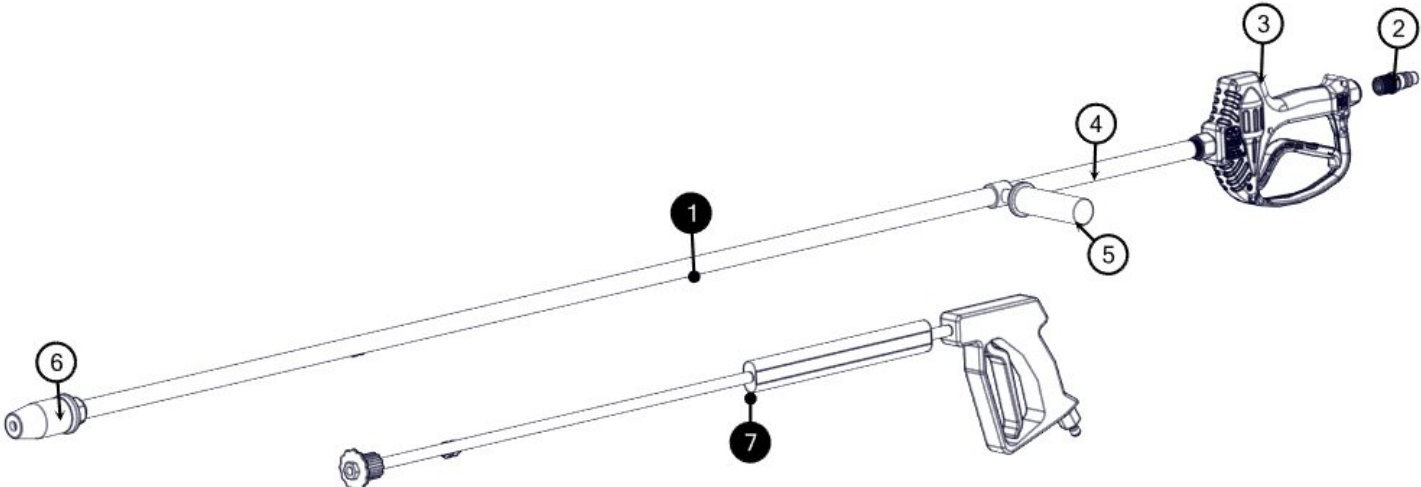
*NOT SHOWN
QUICK DISCONNECT, WATER - 8093824

VX200 WATER REEL ASSEMBLY

BOM ID	Qty	Name
1	1	8092722 REEL ONLY SPRGDRVN 1/2" X 75'
2	1	8094735 HOSE, REEL 1/2"-75'
3	1	Tube_28-8093768-001
4	1	T400140 UNION, 8MB-8MJ
5	1	8031197 VALVE, BALL 1/2" 3000 PSI MIN
6	1	T404020 UNION, 8MP-8MP
7	2	U010017 U-BOLT, .250-20
8	1	T402130 TEE, 8FP-8FP-8FP
9	1	T400024 REDUCER, 1/2"MP-3/8"FP
10	1	T400023 REDUCER, 6MP-4FP
11	1	8030372 GAUGE, 5000 PSI 2.5"LF CBM
12	1	T400040 UNION, 8MP-8MJ
13	1	8094533 HOSE ASSY VAC 8-210" ST-90
14	1	8094450 VERTICAL WATER REEL MOUNT WELDMENT
15	1	8094854 BALL STOPPER 3/8"-100' REEL

*NOT SHOWN
1 - 8093824 FITTING, QD WATER 1/2"F - 1/2"FP

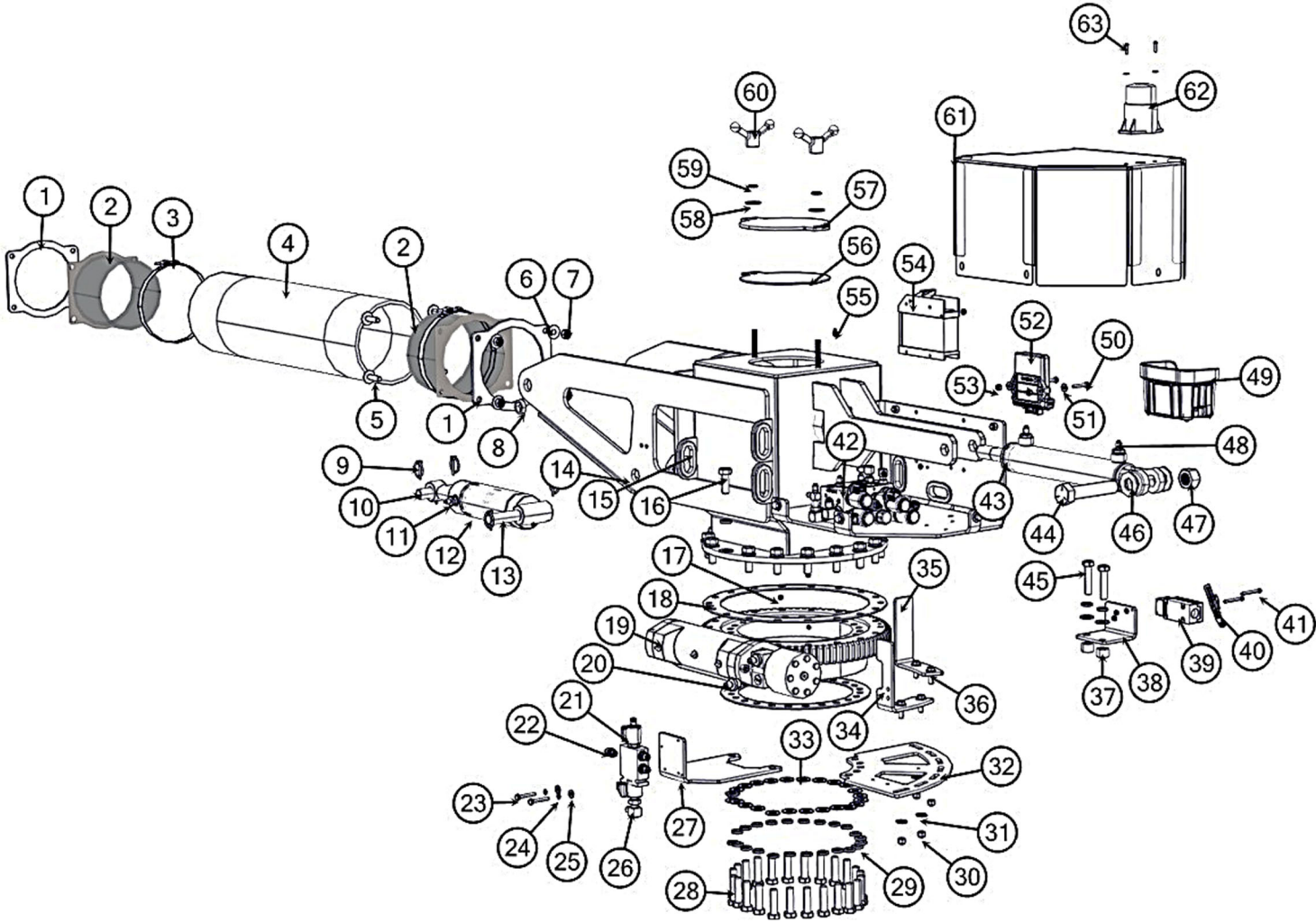
VX200 TOOLS ASSEMBLY



BOM ID	Qty	Name
1	1	8093810 LANCE ASSEMBLY 72"
2	1	8093823 FITTING, QD WATER 1/2"M-1/2"MP
3	1	8093263 GUN, LANCE
4	1	8093261 ROD, LANCE
5	1	8093262 HANDLE, LANCE
6	1	8093109 NOZZLE, TURBO 1/2"FPT
7	1	8094780 VAC TOOL WASH WAND COMPLETE

PAGE LEFT BLANK

VX200 BOOM TURRET ASSEMBLY



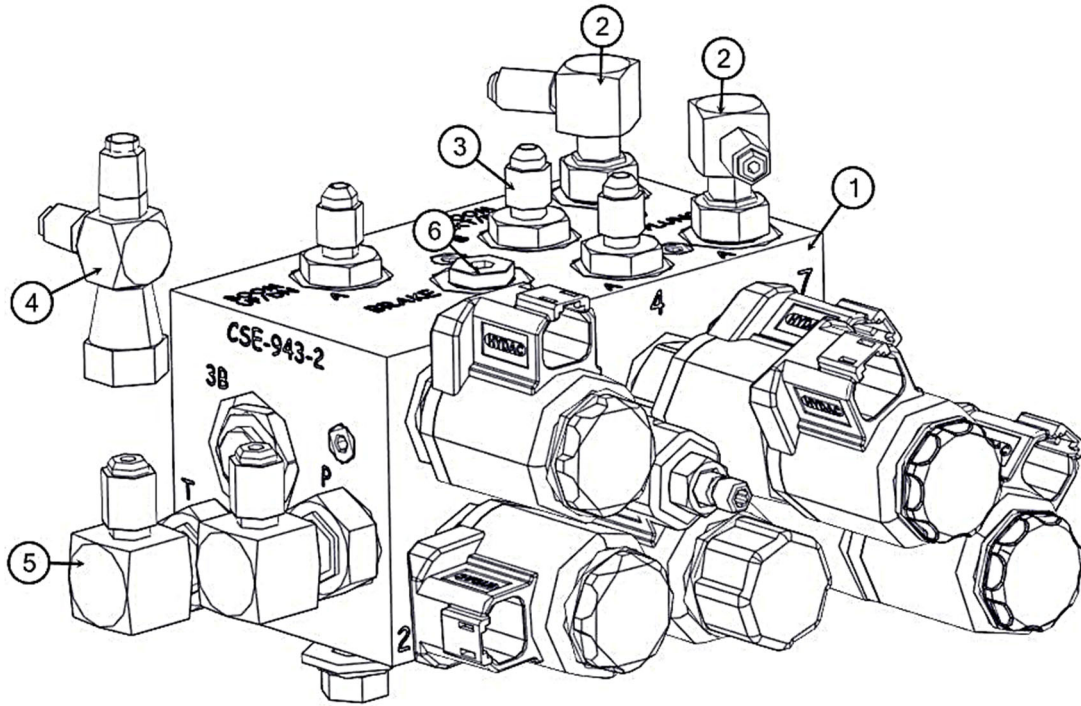
VX200 BOOM TURRET ASSEMBLY

BOM ID	Qty	Name
1	2	8095790 GASKET, BOOM 8" HOSE ADAPTER
2	2	8095767 WELDMENT, BOOM 8" HOSE ADAPTER
3	2	8092896 CLAMP, T-BOLT 8" HOSE
4	1	8092966-032.50 HOSE AG SUCTION 8" X 32.50"LG
5	4	U000880 SCREW, HC .500-13 X 2.00 ZP G5
6	8	U200100 WASHER, FLAT .500 ZP
7	4	U160018 NUT, LOCK .500-13 NY ZP
8	2	8094000 BUSHING, BRONZE 1.25 X 1.00 X .375 CUT
9	4	U340050 PIN LINCH 3/16 X 1 9/16 ZP
10	1	8041990 BOOM PIVOT CYL ROD PIN
11	2	T400611 REDUCER, 8MB - 4MJ
12	1	8046597 CYLINDER, HYD BOOM 3 X 6
13	1	8041977 BOOM PIVOT CYL BASE PIN
14	1	8095752 WELDMENT, BOOM 8" TURRET
15	5	8042812 GROMMET, 2"ID X 3"OD X 1/4"WOG
16	16	U001195 SCREW, HC .625-11 X 1.75 ZP G5
17	2	T500020 FITTING, GREASE .125 STR 1/8"-27 NPT
18	1	8043780 GASKET, BOOM BRG TOP BIG 16.5"
19	1	8042231 BEARING, BOOM HYD ROT ASSY
20	2	T400035 REDUCER, 10MB - 6MJ
21	1	8094016 MANIFOLD, HYD BOOM 6" ASSEMBLY
22	3	T400037 UNION, 6MB-6MJ
23	2	U000110 SCREW, HC .250-20 X 1.75 ZP G5
24	2	U210020 WASHER, LOCK .250 ZP
25	2	U200020 WASHER, FLAT .250 ZP
26	1	T401250 ELBOW, 90 6MB - 6MJ
27	1	8042344 BOOM HYD MANIFOLD MTG PLATE
28	24	U001210 SCREW, HC .625-11 X 2.25 ZP G5
29	42	U210140 WASHER, LOCK .625 ZP
30	4	U110060 NUT, ST .375-16 ZP G2
31	8	U200060 WASHER, FLAT .375 ZP
32	1	8042351 BOOM ROTATION STOP BASE PLATE

BOM ID	Qty	Name
33	42	U200150 WASHER, FLAT .625 ZP SAE HARD
34	1	8042357 BOOM ROTATION STOP BRACKET
35	1	8042359 BOOM ROTATION STOP BRACKET OPP
36	4	U000440 SCREW, HC .375-16 X 1.25 ZP G5
37	2	8042376 SPACER, LIMIT SWITCH BRACKET BOOM
38	1	8042360 BRACKET, BOOM LIMIT SWITCH
39	1	8042431 SWITCH, LIMIT BOOM
40	1	8042432 SWITCH LIMIT BOOM ADJ LEVER
41	2	U010016 SCREW, HSH #10-24 X 2.25
42	1	8094056 MANIFOLD, BOOM UPPER ASSEMBLY
43	1	8095770 CYLINDER, 2" X 10" 1 1/8" ROD
44	1	U001570 SCREW, HC 1-8 X 5.00 ZP
45	2	U001240 SCREW, HC .625-11 X 2.75 ZP G5
46	2	U200170 WASHER, FLAT 1.00
47	1	U120060 NUT, LOCK 1.00-8 NY ZP G2
48	2	T400611 REDUCER, 8MB - 4MJ
49	1	8094018 TRANSMITTER, MINI MBT BOOM 6"
50	2	U000100 SCREW, HC .250-20 X 1.50 ZP G5
51	4	U200020 WASHER, FLAT .250 ZP
52	1	8094017 RECEIVER, CAN 2 BOOM W/ ANTENNA
53	2	U120000 NUT, LOCK NY .250-20 ZP G2
54	1	8092952 CONTROLLER IFM CAN (BOOM)
55	1	T500030 FITTING, GREASE .125 NPT STR
56	1	8095788 GASKET, BOOM 8" TURRET CLEANOUT
57	1	8095789 PLATE, BOOM 8" TURRET CLEANOUT
58	2	U200100 WASHER, FLAT .500 ZP
59	2	U210100 WASHER, LOCK .500 ZP
60	2	8041594 HANDLE, WING REV FLOW CYC/FILTER
61	1	8094006 WELDMENT, BOOM COVER NO SWITCH
62	1	8043139 LIGHT, STROBE LED DEUTSCH
63	2	U030809 SCREW, PAN HD PHIL 10-24 X .75

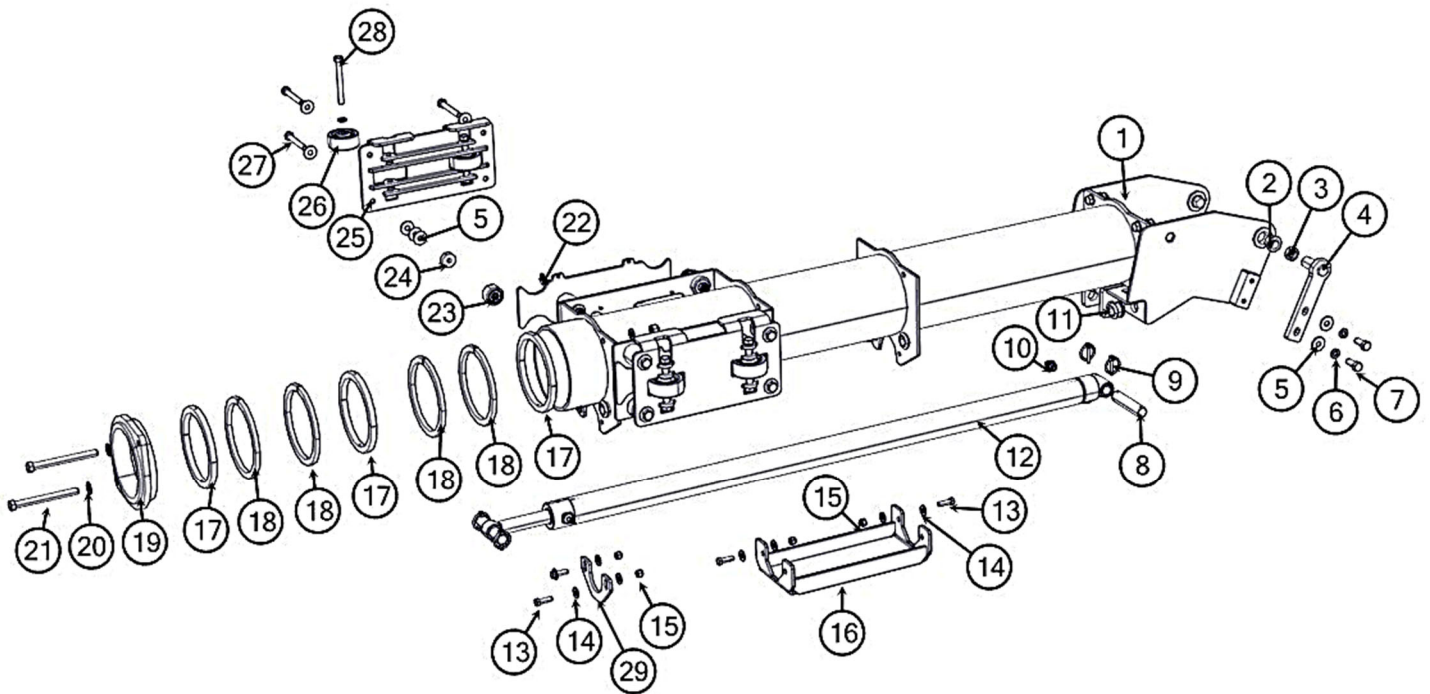
*NOT SHOWN:
HARNES, BOOM VX200 - X200201

VX200 BOOM MANIFOLD ASSEMBLY



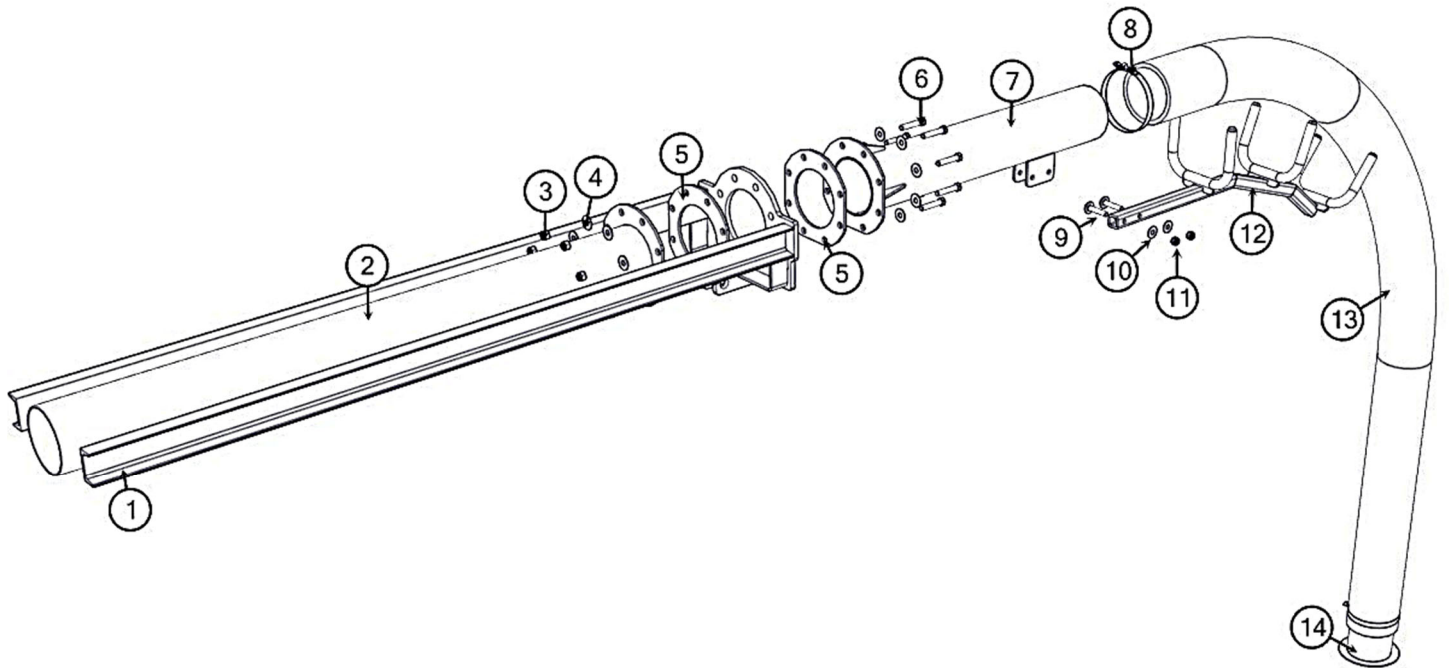
BOM ID	Qty	Name
1	1	8094056 MANIFOLD, BOOM UPPER ASSEMBLY
2	2	T401240 ELBOW, 90 6MB (ADJ) - 4MJ
3	3	T400550 REDUCER, 6MB-4MJ
4	1	T402153 TEE, 6FJ - 6MJ - 6MJ
5	2	T401250 ELBOW, 90 6MB - 6MJ
6	1	T405092 PLUG, 3/8"MB-HEX SOCKET HOLLOW

ECO200 BOOM PIVOT ARM ASSEMBLY



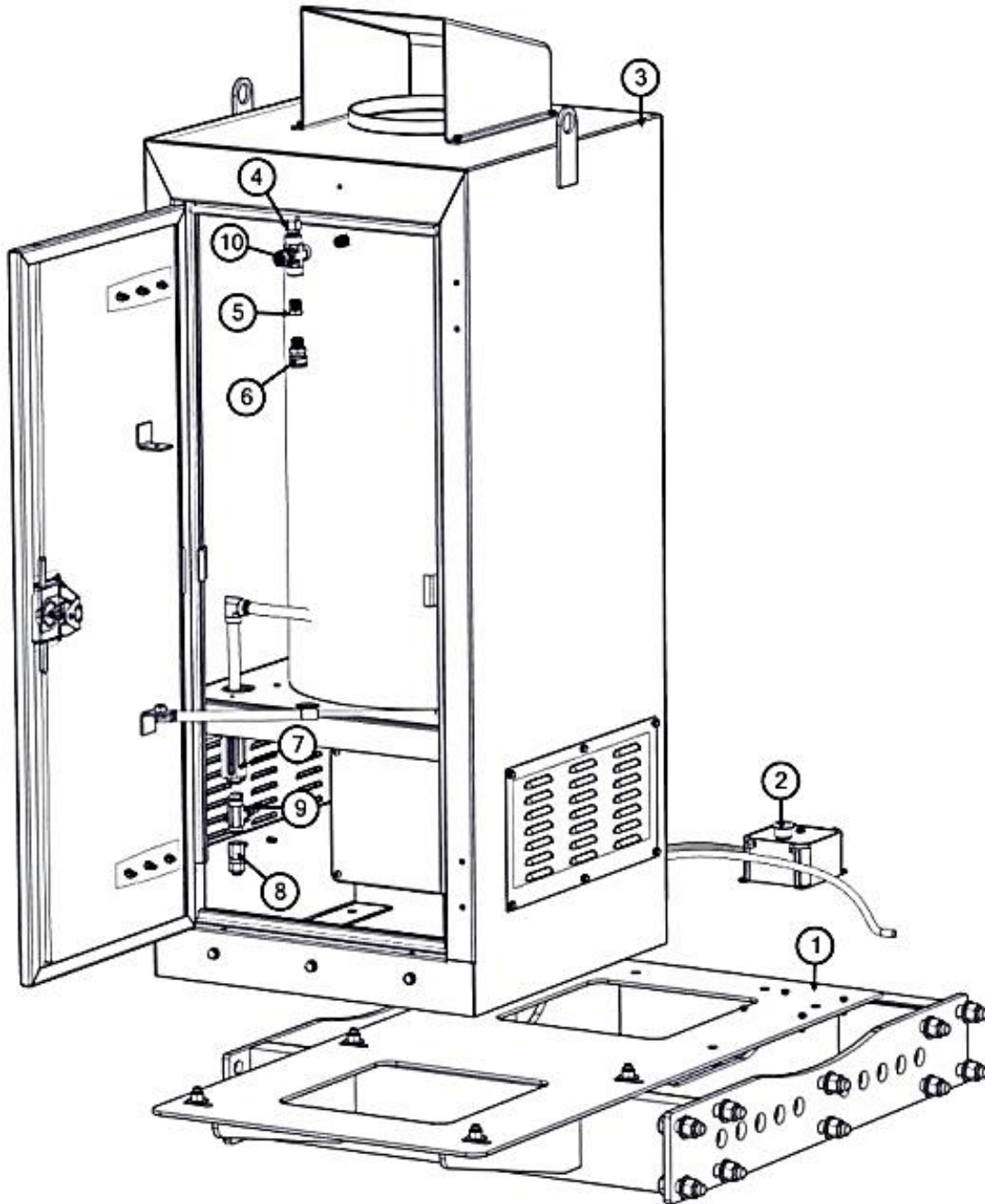
BOM ID	Qty	Name
1	1	8095772 WELDMENT, BOOM 6" PIVOT ARM
2	2	8041883 BUSHING, BRONZE 1.25 X 1.0 X .63 FL
3	2	8094000 BUSHING, BRONZE 1.25 X 1.00 X .375 CUT
4	2	8046634 BOOM PIVOT PIN LP
5	32	U200100 WASHER, FLAT .500 ZP
6	8	U210100 WASHER, LOCK .500 ZP
7	4	U000820 SCREW, HC .500-13 X 1.25 ZP G5
8	2	8041990 BOOM PIVOT CYLINDER ROD PIN
9	4	U340050 PIN LINCH 3/16X1-9/16 ZP
10	2	T400611 REDUCER, 8MB - 4MJ
11	5	8041686 GROMMET, 1"ID 1 1/2"OD-1/2"WOG
12	1	8041926 CYLINDER, HYD BOOM 2" X 48"
13	6	U000440 SCREW, HC .375-16 X 1.25 ZP G5
14	11	U200060 WASHER, FLAT .375 ZP
15	5	U110060 NUT, ST .375-16 ZP G2
16	1	8095279 WELDMENT, BOOM FOOT
17	3	8092142 SLEEVE, PLASTIC 6" BOOM
18	4	8092143 BOOM, 6" PACKING RING
19	1	8091441 WELDMENT, PACKING GLAND 6" BOOM
20	12	U200110 WASHER, FLAT .500 ZP SAE HARD
21	2	U001020 SCREW, HC .500-13 X 5.50 ZP G5
22	2	T500100 FITTING, GREASE .250 NPT STR
23	4	W000055 BEARING, CAMROL 1.75 X 1.0 X 0.50
24	4	8046624 BOOM CAM ROLLER SPACER LP
25	2	8046627 BOOM EXTENSION ARM CAPTURE LP
26	4	8030226 WHEEL, PLASTIC FLUIDSWEEPER 3" X 1 1/4" X 1/2"BORE
27	8	U000960 SCREW, HC .500-13 X 4.00 ZP G5
28	4	U000980 SCREW, HC .500-13 X 4.50 ZP G5
29	1	8041956 PLATE, BOOM PIVOT ARM CYL RETURN

ECO200 BOOM EXTENSION ARM ASSEMBLY



BOM ID	Qty	Name
1	1	8095779 WELDMENT, BOOM 6" EXTENSION
2	1	8092375 WELDMENT, BOOM EXTENSION
3	8	U160018 NUT, LOCK .500-13 NY ZP
4	16	U200100 WASHER FLAT .500 ZP
5	2	8092939 GASKET, BOOM
6	8	U000920 SCREW, HC .500-13 X 2.75 ZP G5
7	1	8095782 WELDMENT, BOOM 6" EXTENSION LG
8	2	8043198 CLAMP HOSE T-BOLT 700
9	2	U000920 SCREW, HC .500-13 X 2.75 ZP G5
10	4	U200100 WASHER FLAT .500 ZP
11	2	U160018 NUT, LOCK .500-13 NY ZP
12	1	8097041 WELDMENT, CRADLE BOLT-ON
13	1	8096849-120.00 HOSE, MATERIAL HANDLING, 6" X 120" LONG
14	1	8093018 WELDMENT, BOOM HOSE CONNECTION

ECO200 HOTBOX



VX200 HOTBOX ASSEMBLY

BOM ID	Qty	Name
1	1	8093747 WELDMENT, SKID HOTBOX VX200
2	1	8093136-01 HOTBOX ESTOP
3	1	8093136 HOTBOX, DYNABLAST 420K
4	1	8093136-02 HIGH LIMIT (110C)
5	1	8093136-03 BUSHING, 1/2" X 3/8"
6	1	8093136-04 QUICK COUPLER, FEMALE 3/8"
7	1	8093136-05 FLOW SWITCH
8	1	8093136-06 QUICK COUPLER, MALE 3/8"
9	1	8093136-07 RELIEF VALVE
10	1	8093136-10 TEMPERATURE SENSOR RTD

***NOT SHOWN**

8093136-08	1	IGNITER
8093136-09	1	COIL
8093136-10	1	ELECTRODE KIT
X200204	1	HARNESS, HOTBOX

PAGE LEFT BLANK

WARRANTY RETURN GOODS POLICY

LIMITED WARRANTY

The Manufacturer warrants its products to be free from defects in material and workmanship for a period of twelve months from the date of shipment from the factory. The Manufacturer shall not be responsible for any damage resulting to or caused by its products by reason of installation, improper storage, unauthorized service, alteration of the products, neglect or abuse, or use of the product in a manner inconsistent with its design. The warranty does not extend to any component parts not manufactured by Manufacturer; however, Manufacturer's warranty herein shall not limit any warranties made by manufacturers of component parts which extend to Buyer.

Claims for defects in material and workmanship shall be made in writing to Manufacturer within ten days of discovery of defect. Manufacturer may either send a service representative or have the product returned to its factory at Buyer's expense for inspection. Upon notification of defect, Manufacturer will issue a return goods authorization number to Buyer. The return goods authorization number must accompany the product returned. If judged by the Manufacturer to be defective in material or workmanship, the product will be replaced or repaired at the option of the Manufacturer, free from all charges except authorized transportation. Buyer shall be responsible for all maintenance services consisting of lubrication and cleaning of equipment, replacing expandable parts, making minor adjustments, and performing operating checks, all in accordance with procedures outlined in Manufacturer's maintenance literature.

THE FOREGOING WARRANTY IS IN LIEU OF ALL OTHER WARRANTIES AND NO REPRESENTATIONS, GUARANTEES, OR WARRANTIES, EXPRESS OR IMPLIED, (INCLUDING BUT NOT LIMITED TO A WARRANTY OF MERCHANTABILITY OR FITNESS FOR A PARTICULAR PURPOSE), ARE MADE BY THE MANUFACTURER IN CONNECTION WITH THE MANUFACTURE OR SALE OF ITS PRODUCTS. NO EMPLOYEE, DISTRIBUTOR, OR REPRESENTATIVE IS AUTHORIZED TO CHANGE THIS WARRANTY ON BEHALF OF MANUFACTURER.

THE REMEDIES OF BUYER SET FORTH HEREIN ARE EXCLUSIVE AND ARE IN LIEU OF ALL OTHER REMEDIES. THE LIABILITY OF MANUFACTURER WHETHER IN CONTRACT, TORT, UNDER ANY WARRANTY, OR

OTHERWISE SHALL NOT EXTEND BEYOND ITS OBLIGATION TO REPAIR OR REPLACE, AT ITS OPTION ANY PRODUCT OR PART FOUND BY MANUFACTURER TO BE DEFECTIVE IN MATERIAL OR WORKMANSHIP. MANUFACTURER SHALL NOT BE LIABLE FOR COST OF INSTALLATION AND/OR REMOVAL OR BE RESPONSIBLE FOR DIRECT, INDIRECT, SPECIAL OR CONSEQUENTIAL DAMAGES OF ANY NATURE.

GENERAL RETURNS OF MERCHANDISE

1. All returns must be pre-authorized
 - A. Please call our parts department for an RGA number
 - B. Please include RGA number on the outside of box
 - C. Include any required paper work or special instructions
 - D. Items returned without an RGA number will not be accepted
2. All returns are subject to a 20% restock charge.
3. Special items are non-returnable
 - A. Non-stock parts
 - B. Custom parts
 - C. If you are unsure about a parts status when ordering, ask your McLaughlin representative if the item fits on of the above conditions.
4. Items must be returned within thirty days of original order date.
5. Items not returned within 30 days from the date of RGA is issued will not be accepted.
6. The item(s) must be in new condition. Used item(s) are not returnable.

FOR SCHEMATICS SEE: www.mclaughlinunderground

**CALIFORNIA
Proposition 65 Warning**

Diesel engine exhaust and some of its constituents are known to the State of California to cause cancer, birth defects, and other reproductive harm.

**CALIFORNIA
Proposition 65 Warning**

Battery posts, terminals, and related accessories contain lead and lead compounds, chemicals known to the State of California to cause cancer and reproductive harm. Wash hands after handling.